

Spare Parts Catalogue

Version: 2015/09/04a EN



Invacare® **MIRAGE**



Yes, you can.®

General Information

For any order of spare parts the following information is required:

- Product type*
- Product name & model*
- Serial Number*
- Part-Number*
- Part-Description*

Exploded view drawings and code numbers are not contractual and subject to modification, in relation to Invacare® continuous product improvement policy to meet end users needs.

The reproduction or use of this work, or of any substantial part of this work, in any form or by any electronic, mechanical or other means, including photocopying, scanning and recording, and in any information storage and retrieval system, including electronic transmission, is forbidden without the prior written permission of Invacare® International Sarl.



Yes, you can.®

TABLE OF CONTENTS

Information & User Manuals

User Manuals Mirage	7
User Manuals Shark2	8
User Manuals REM34 & REM41 Tray/Centre Control	9

Chassis

Side Frame	10
Cross Brace	12
Battery Rail Front Fixing Kits	13
Hanger Bracket / Seat Lock	14
Anti Tipping Wheels	15

Seat

Seat Boards	16
Seat / Lapbelt	17

Backrest

Backrest foldable	18
Tension adjustable SH53	19
Recliner Back & 40cm Seat Depth Back Upholstery	20
Fixed Back 45cm Seat Depth Tension Adjustable Upholstery	21
Gas Recliner Back Post	22
Manual Recliner Back Post	23
Manual Recliner Back Post 40cm Seat Depth	24
Standard Back Post	25
Fixed Backrest Upholstery	26

Legrests / Hangers

Legrest Hanger, Std. 80° (01.07.15 =>)	27
Legrest Hanger Std 80° (=> 30.06.15)	28
Manual Elevating Legrests / Calf Pads	29

Footplates / Support tubes

Standard Footplate (used w/o Kerbrider)	30
Standard Footplate (used for Kerbrider)	31
Angle And Depth Adjustable Footplate (used w/o Kerbrider)	32
Angle And Depth Adjustable Footplate (used for Kerbrider)	33
Footplate Reduction Kit	34

Armrests

Siderests	35
Armrests	36
Armrest	37
Inrigged Armrest	38

Castors

Front Castor Wheels	39
---------------------------	----



Yes, you can.®

TABLE OF CONTENTS

Drive Wheels

Rear Wheels	40
-------------------	----

Propulsion

Motor Gear Box	41
Motors VR2	42

Electronic

Electronic	43
Shark Electronic	44
Shark Power Modul	45
Shark Remote & Brackets	46
Remote REM A05/06 with Brackets (==> 14/06/30)	47
Remote Bracket Standard	48
Remote Bracket Swing Away	49
Remote Bracket Attendant	50
Remote REM D01 with Brackets (14/07/01 ==>)	51
Remote Bracket Standard	48
Remote Bracket Swing Away	49
Remote Bracket Attendant	50
Remote Dual Control with Bracket	52
Remote Bracket	53
Shark Cables & Accessories	54
Bus-Cables Shark	55
Cables Shark	56
Programming Kits	57
VR2 Electronic	58
Powermodule VR2	59
Remote & Brackets VR2	60
Remote VR2 with Brackets	61
Remote Bracket Standard	62
Remoteholder swing-away VR2	63
Bracket for Dual- & Attendentcontrol VR2	64
Remote Dual Control with Brackets	65
Bracket for Dual- & Attendentcontrol VR2	64
Cable VR2	66
Pilot Plus Control	67

Cable, Charger & Batteries

Batteries	68
Chargers	69
Battery Boxes	70
Bus-Cables Shark	55

Safety Options

Wheel Lock / Parking Brake	71
----------------------------------	----

Seat Accessories



Yes, you can.®

TABLE OF CONTENTS

Seat Cushion	72
Headrest	73
Tray Tables	74
Tray tables, cpl.	75

Accessories

Kerbrider	76
Transportation Options	77
Crutch Holder / Mirror	78

User Manuals Mirage

languages.io

BG	Български	FR	Français	NL	Nederlands	SV	Svenska
CS	Čeština	HE	עברית	NO	Norsk	UK	Українська
DA	Dansk	HR	Hrvatski	PL	Polski		
DE	Deutsch	HU	Magyar	PT	Português		
EN	English	IT	Italiano	RU	Русский		
ES	Español	JA	日本語	RO	Română		
ET	Eesti	LV	Latviešu	SK	Slovenčina		
FI	Suomi	LT	Lietuvių	SL	Slovenščina		

Pos.	Part number	Description	Valid from → until	Qty
ES	1441768	User Manual Mirage Spanish		1
IT	1441769	User Manual Mirage Italian		1
PT	1441770	User Manual Mirage Portuguese		1
SV	1443204	User Manual Mirage Danish		1
PL	1468328	User Manual Mirage Polish		1
DE	1513282	User Manual Mirage German		1
EN	1513283	User Manual Mirage English		1
SL	1513284	User Manual Mirage Slovenian		1
LT	1522406	User Manual Mirage Lithuanian		1
HR	1524671	User Manual Mirage Croatian		1
CZ	1524673	User Manual Mirage Czech		1
NL	1524674	User Manual Mirage Dutch		1
FR	1524675	User Manual Mirage French		1
NO	1524676	User Manual Mirage Norwegian		1
SV	1524677	User Manual Mirage Swedish		1
FI	1524750	User Manual Mirage Finnish		1

User Manuals Shark2

languages.io

BG	Български	FR	Français	NL	Nederlands	SV	Svenska
CS	Čeština	HE	עברית	NO	Norsk	UK	Українська
DA	Dansk	HR	Hrvatski	PL	Polski		
DE	Deutsch	HU	Magyar	PT	Português		
EN	English	IT	Italiano	RU	Русский		
ES	Español	JA	日本語	RO	Română		
ET	Eesti	LV	Latviešu	SK	Slovenčina		
FI	Suomi	LT	Lietuvių	SL	Slovenščina		

Pos.	Part number	Description	Valid from → until	Qty
	DE 1451346	User Manual Shark II German		1
	FR 1451347	User Manual Shark II French		1
	SV 1451348	User Manual Shark II Swedish		1
	DA 1451349	User Manual Shark II Danish		1
	NO 1451350	User Manual Shark II Norwegian		1
	NL 1451351	User Manual Shark II Dutch		1
	ES 1451352	User Manual Shark II Spanish		1
	PT 1451353	User Manual Shark II Portuguese		1
	IT 1451354	User Manual Shark II Italian		1
	FI 1451355	User Manual Shark II Finnish		1
	EN 1451356	User Manual Shark II English		1
	SL 1451584	User Manual Shark II Slovenian		1
	CS SP1533297	User Manual Shark2 CS		1
	ET SP1533298	User Manual Shark2 EE		1
	HU SP1533299	User Manual Shark2 HU		1
	LT SP1533300	User Manual Shark2 LT		1
	PL SP1533301	User Manual Shark2 PL		1
	BG SP1546061	User Manual Shark II Bulgarian		1
	RU SP1570186	User Manual Shark II Russian		1
	HR SP1574028	User Manual Shark II Croatian		1
	LV SP1576075	User Manual Shark II Latvian		1

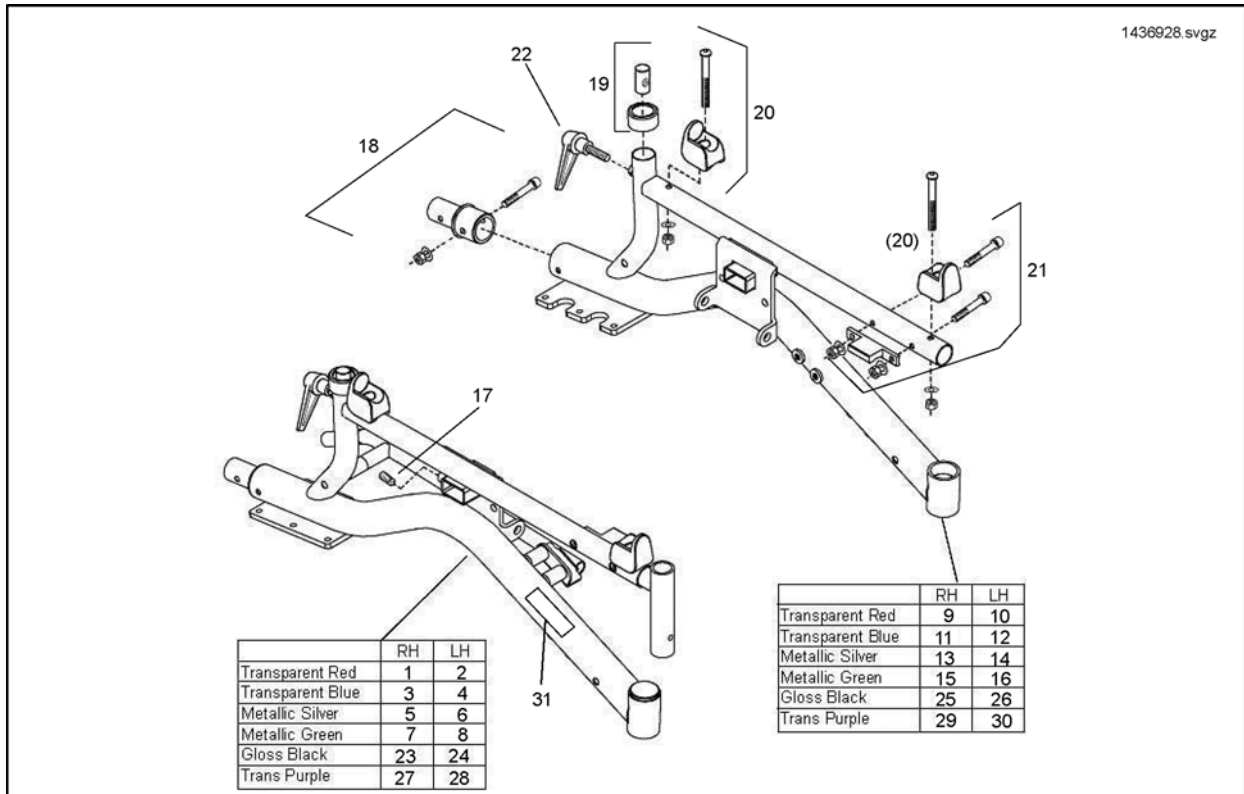
User Manuals REM34 & REM41 Tray/Centre Control

languages.io

BG	Български	FR	Français	NL	Nederlands	SV	Svenska
CS	Čeština	HE	עברית	NO	Norsk	UK	Українська
DA	Dansk	HR	Hrvatski	PL	Polski		
DE	Deutsch	HU	Magyar	PT	Português		
EN	English	IT	Italiano	RU	Русский		
ES	Español	JA	日本語	RO	Română		
ET	Eesti	LV	Latviešu	SK	Slovenčina		
FI	Suomi	LT	Lietuvių	SL	Slovenščina		

Pos.	Part number	Description	Valid from → until	Qty
DA	SP1538022	User Manual REM41 Tray Control Danish		1
EN	SP1538023	User Manual REM41 Tray Control English		1
ES	SP1538024	User Manual REM41 Tray Control Spanish		1
FR	SP1538025	User Manual REM41 Tray Control French		1
IT	SP1538026	User Manual REM41 Tray Control Italian		1
NL	SP1538027	User Manual REM41 Tray Control Dutch		1
NO	SP1538028	User Manual REM41 Tray Control Norwegian		1
PT	SP1538029	User Manual REM41 Tray Control Portuguese		1
SV	SP1538030	User Manual REM41 Tray Control Swedish		1
CS	SP1538031	User Manual REM41 Tray Control Czech		1
SL	SP1538032	User Manual REM41 Tray Control Slovenian		1
DE	SP1541402	User Manual REM41 Tray Control German		1

Side Frame

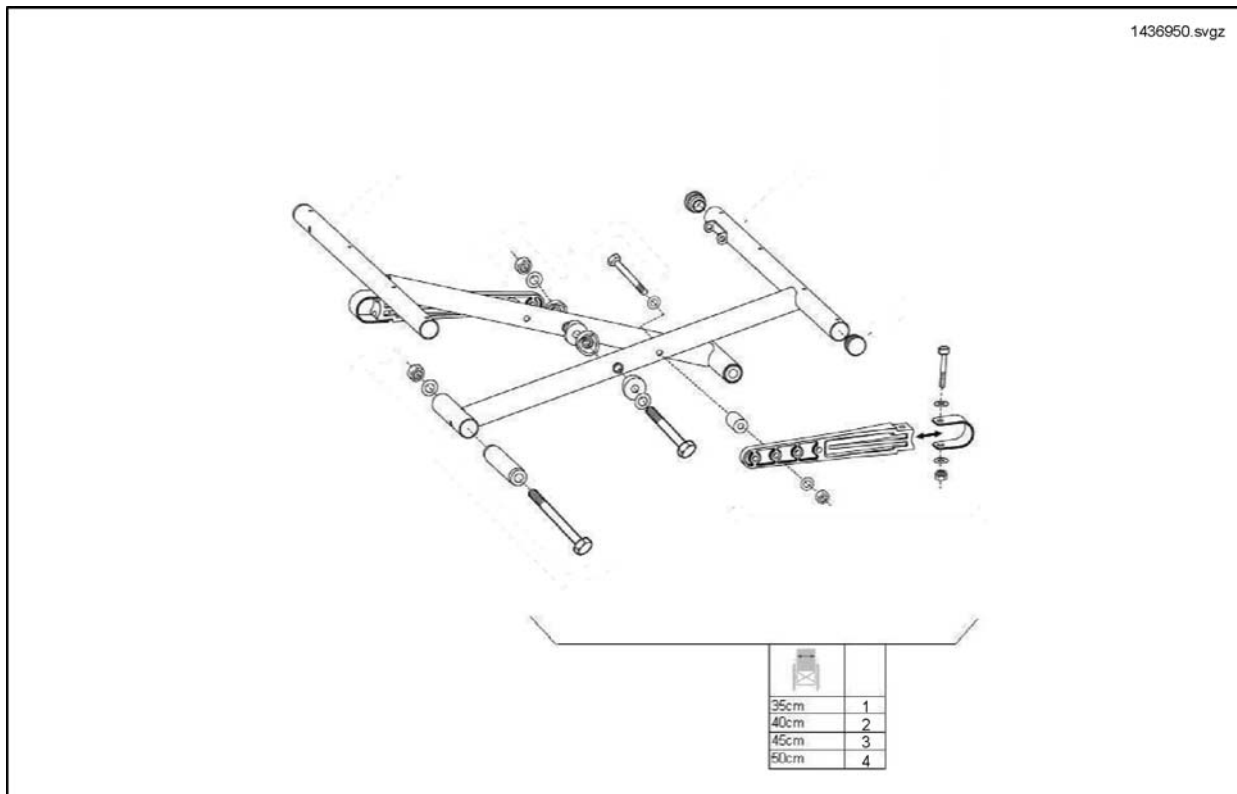


Pos.	Part number	Description	Valid from → until	Qty
	SP1553896	Touch-up paint, transparent blue		1
	SP1553897	Touch-up paint, transparent green		1
	SP1553898	Touch-up paint, transparent red		1
	SP1552603	Touch-up paint, silver		1
	SP1553899	Touch-up paint, Black		1
	SP1553900	Touch-up paint, transparent purple		1
1	SP1436930	Sideframe Transparent Blue RH		1
2	SP1436929	Sideframe Transparent Red LH		1
4	SP1436931	Sideframe Transparent Blue LH		1
1	SP1436928	Sideframe Transparent Red RH		1
5	SP1436932	Sideframe Metallic Silver RH		1
6	SP1436933	Sideframe Metallic Silver LH		1
7	SP1436934	Sideframe Metallic Green RH		1
8	SP1436935	Sideframe Metallic Green LH		1
9	1433242-0200	Side Frame Only Transparent Red RH		1
10	1433243-0200	Side Frame Only Transparent Red LH		1
11	1433242-0201	Side Frame Only Transparent Blue RH		1
12	1433243-0201	Side Frame Only Transparent Blue LH		1
13	1433242-0221	Side Frame Only Metallic Silver RH		1
14	1433243-0221	Side Frame Only Metallic Silver LH		1
15	1433242-0222	Side Frame Only Metallic Green RH		1
16	1433243-0222	Side Frame Only Metallic Green LH		1
17	1436923	Set screw DIN916-M10x16 zc		1
18	1436924	Anti Tipper Socket Kit (Use RH/LH)		1
19	1436925	Backrest Fixation Kit (Use RH/LH)		1
20	1436926	Seat Saddle Kit (Used RH/LH/Front/ Rear)		1
21	1436927	Seat Clamp Receiver Kit (Use RH/LH)		1
22	90892410	Clamp Lever M8x15 Male		1
23	SP1441664	Sideframe Gloss Black RH		1
24	SP1441665	Sideframe Gloss Black LH		1
25	1433242-0219	Side Frame Only Gloss Black RH		1

Side Frame

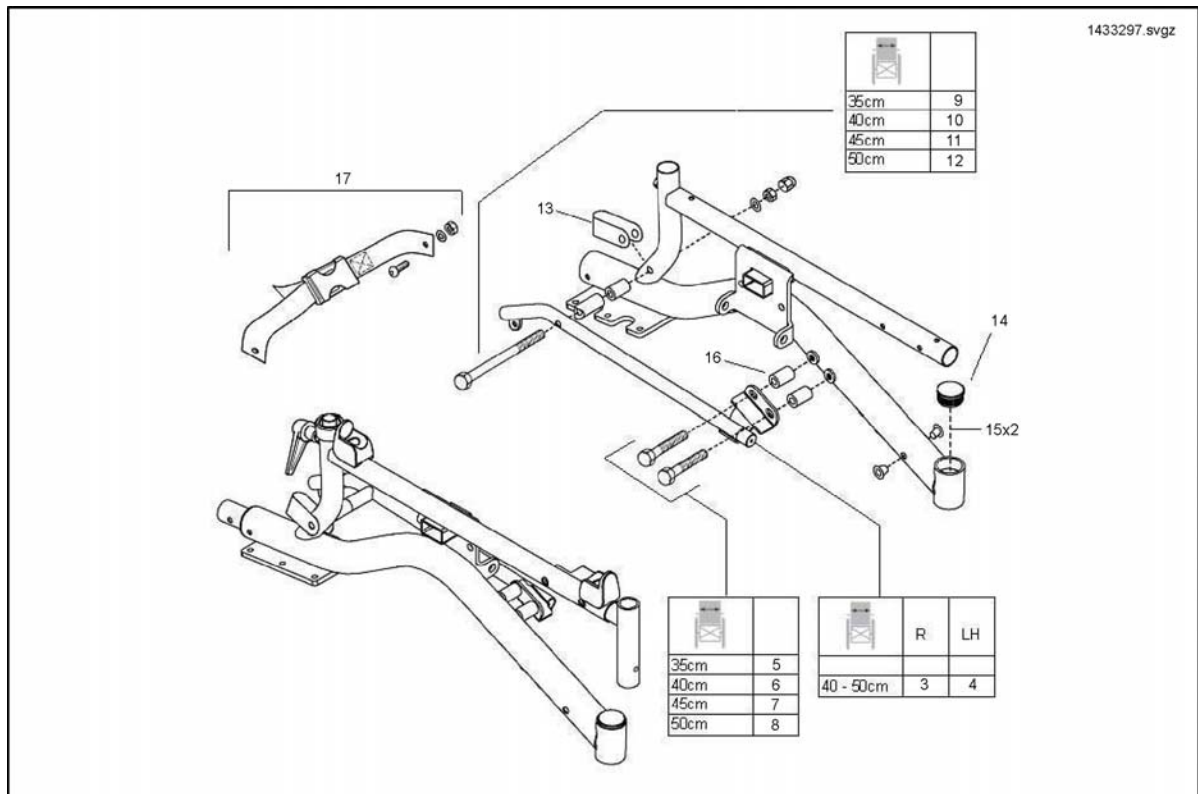
Pos.	Part number	Description	Valid from → until	Qty
26	1433243-0219	Side Frame Only Gloss Black LH		1
27	SP1442083	Sideframe Transparent Purple RH		1
28	SP1442084	Sideframe Transparent Purple LH		1
29	1433242-0202	Side Frame Only Transparent Purple RH		1
30	1433243-0202	Side Frame Only Transparent Purple LH		1
31	1436665	Mirage Logo - White		1
32	SP1509723	Hanger tube 50cm seatdepth		1

Cross Brace



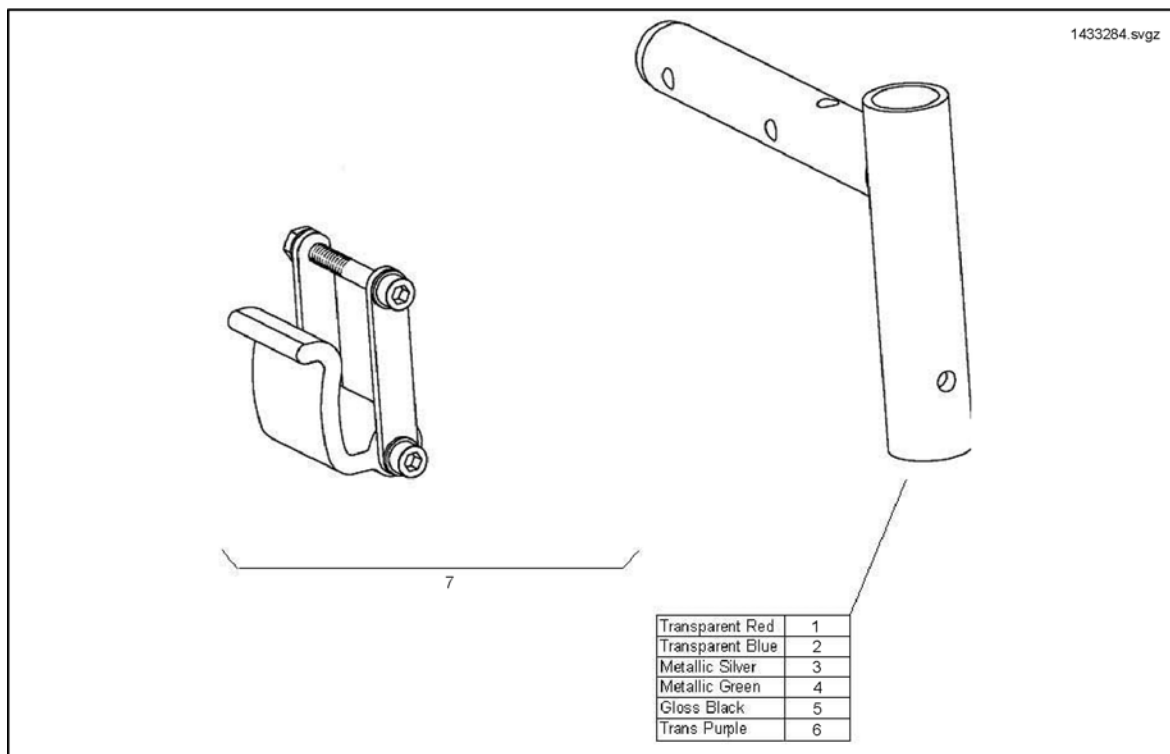
Pos.	Part number	Description	Valid from → until	Qty
1	SP1436950	Cross Brace Comp 35cm W		1
2	SP1436951	Cross Brace Comp 40cm W		1
3	SP1436952	Cross Brace Comp 45cm W		1
4	SP1436953	Cross Brace Comp 50cm W		1

Battery Rail Front Fixing Kits



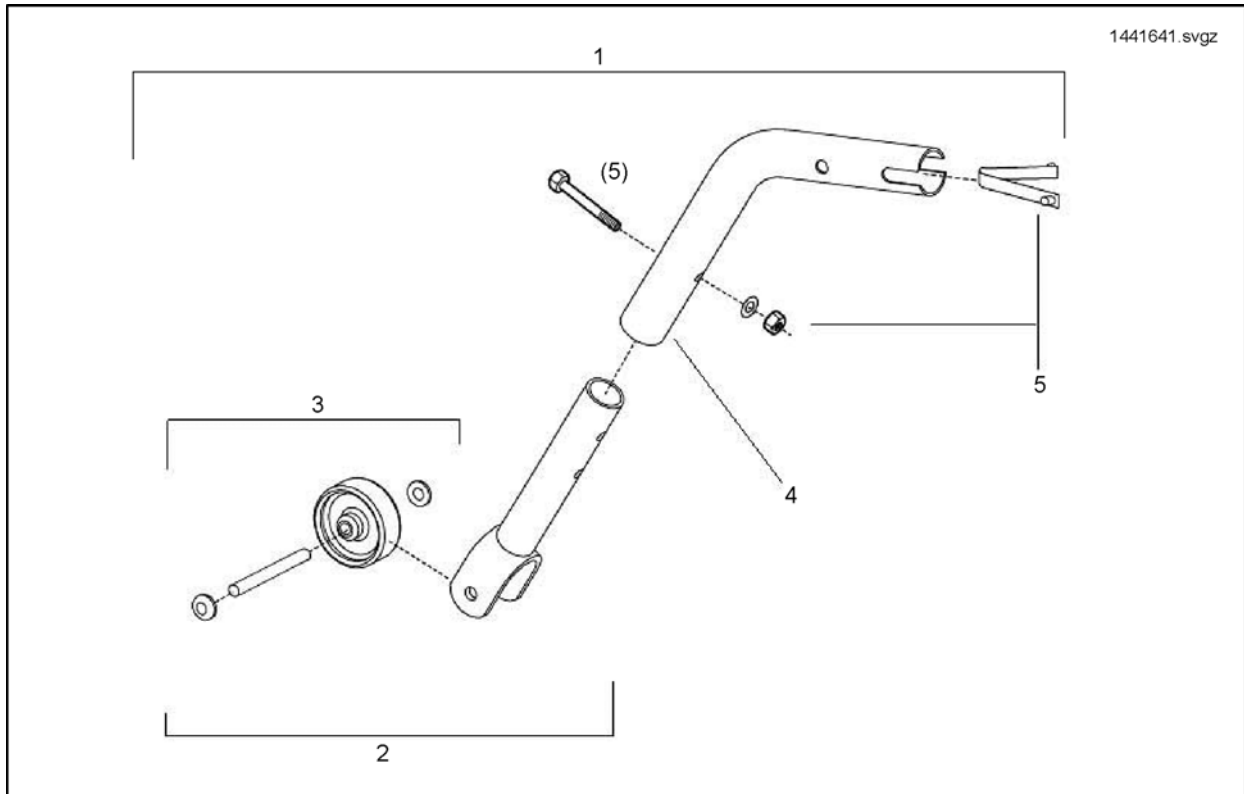
Pos.	Part number	Description	Valid from → until	Qty
3	1433297-0216	Battery Rail 40, 45, 50cm W RH		1
4	1433298-0216	Battery Rail 40, 45, 50cm W LH		1
5	1436938	Battery Rail Front Fixing Kit 35cm W		1
6	1436939	Battery Rail Front Fixing Kit 40cm W		1
7	1436940	Battery Rail Front Fixing Kit 45cm W		1
8	1436941	Battery Rail Front Fixing Kit 50cm W		1
9	1436942	Battery Rail Rear Fixing Kit 35cm W		1
10	1436943	Battery Rail Rear Fixing Kit 40cm W		1
11	1436944	Battery Rail Rear Fixing Kit 45cm W		1
12	1436945	Battery Rail Rear Fixing Kit 50cm W		1
13	1433359-0216	Rear Tie-Down Clamp		1
14	L01044	Tube End Plug SI 32		1
15	1436936	Frame Plug Kit		1
16	1436937	Spacer Kit		1
17	1442159	Battery Restraint Strap Kit		1

Hanger Bracket / Seat Lock



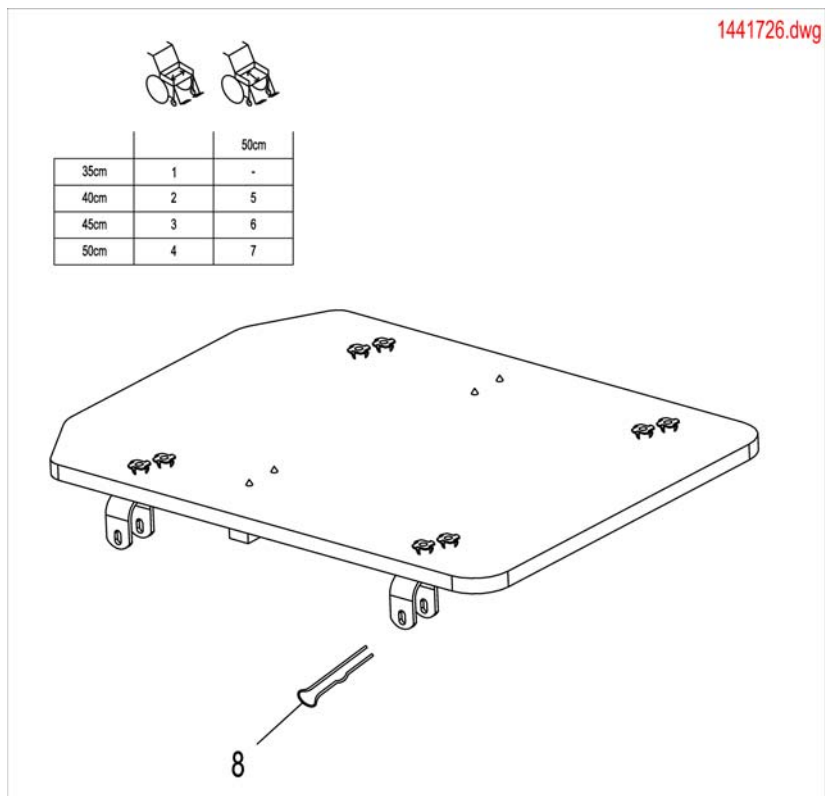
Pos.	Part number	Description	Valid from → until	Qty
1	1433284-0200	Hanger Bracket Transparent Red		1
2	1433284-0201	Hanger Bracket Transparent Blue		1
3	1433284-0221	Hanger Bracket Metallic Silver		1
4	1433284-0222	Hanger Bracket Metallic Green		1
5	1433284-0219	Hanger Bracket Gloss Black		1
6	1433284-0202	Hanger Bracket Transparent Purple		1
7	1441598	Seat Lock Kit (Use For 35/40/45/50cm And RH/LH)		1

Anti Tipping Wheels

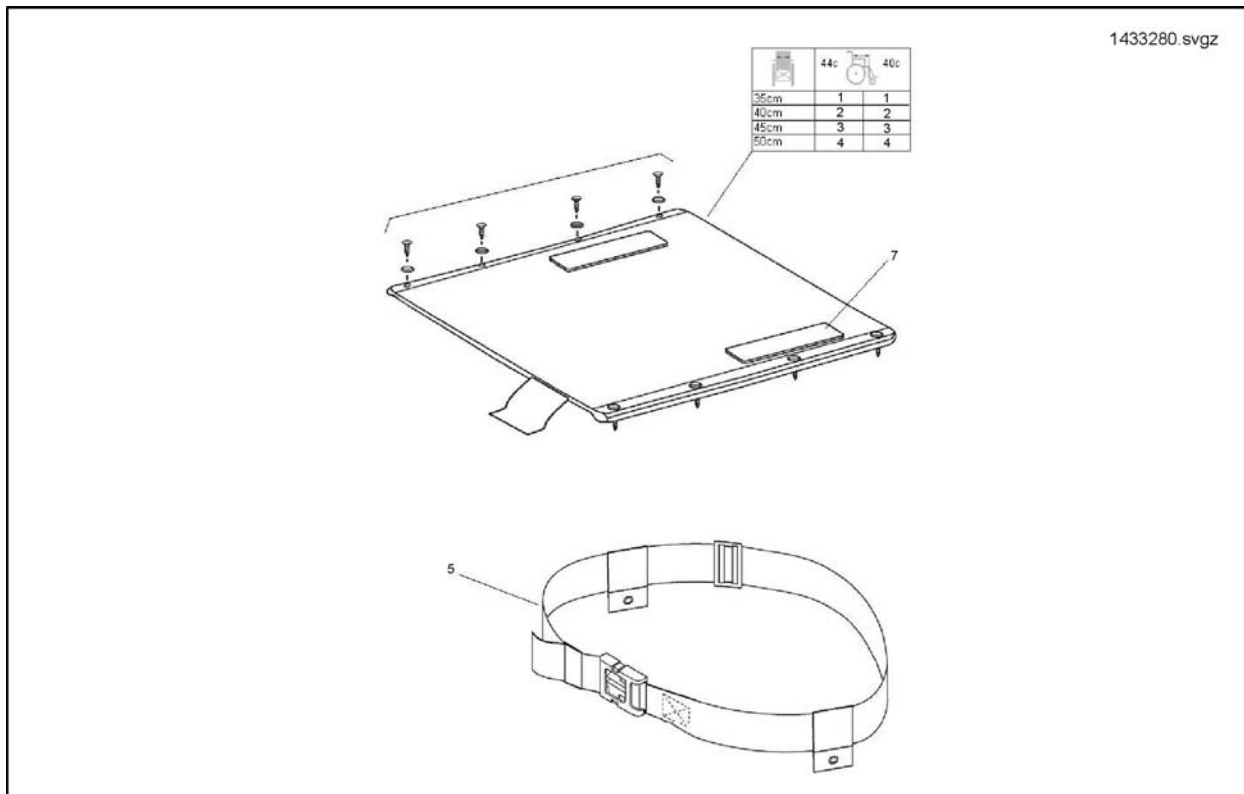


Pos.	Part number	Description	Valid from → until	Qty
1	SP1441641	Anti Tipp Wheel Assembly		1
2	30000250	Anti Tipper Assy		1
3	1441653	Anti Tipping Wheel And Axle Kit		1
4	1433323-0216	Anti Tipping Top Tube		1
5	1441642	Fixation Kit		1

Seat Boards



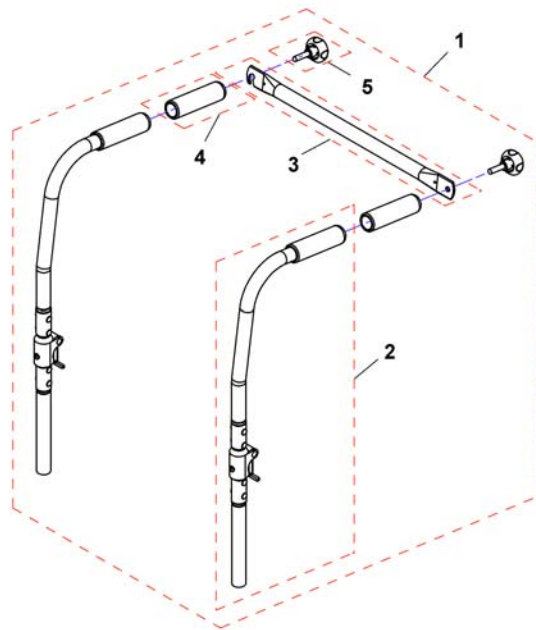
Pos.	Part number	Description	Valid from → until	Qty
1	1441726	Seat Board Complete 35cm W		1
2	1441727	Seat Board Complete 40cm W		1
3	1441728	Seat Board Complete 45cm W		1
4	1441729	Seat Board Complete 50cm W		1
8	1441730	Seat Board Fixing Kit (4 Clips)		1
5	1509859	Seat Board Complete Sb 40cm		1
6	1509861	Seat Board Complete Sb 45cm		1
7	1509863	Seat Board Complete Sb 50cm		1



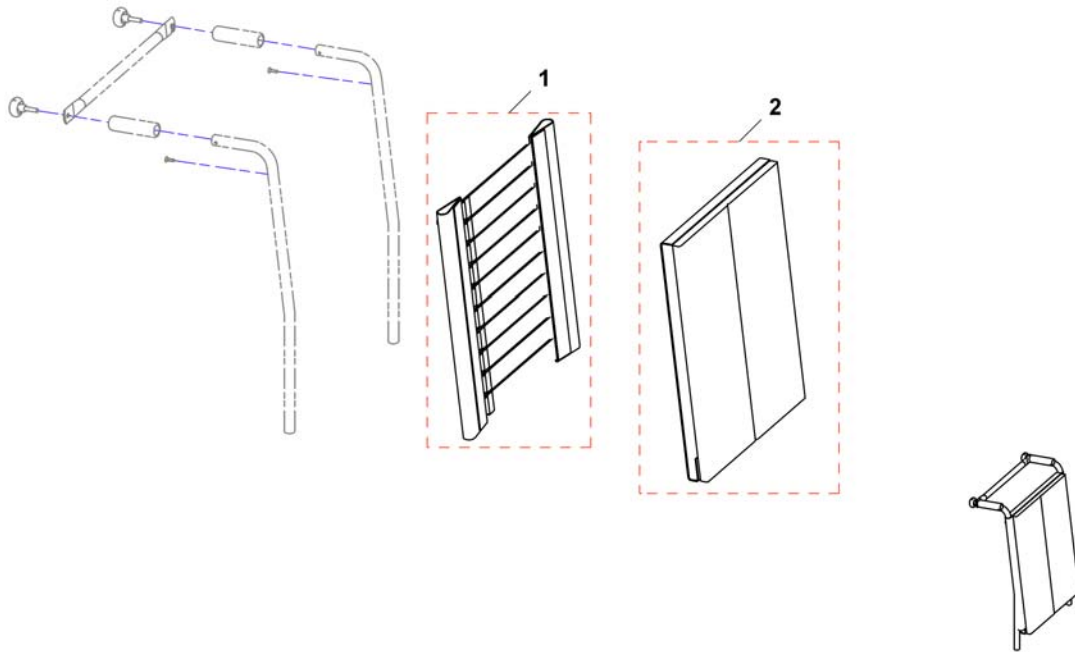
Pos.	Part number	Description	Valid from → until	Qty
1	1433280-0207	Padded Seat Canvas 35cm W		1
2	1433281-0207	Padded Seat Canvas 40cm W		1
3	1433282-0207	Padded Seat Canvas 45cm W		1
4	1433283-0207	Padded Seat Canvas 50cm W		1
5	SP1530582	Lap belt, on both sides adjustable		1
6	1441617	Seat Canvas Fixation Kit		1

Backrest foldable

15481316.jpg

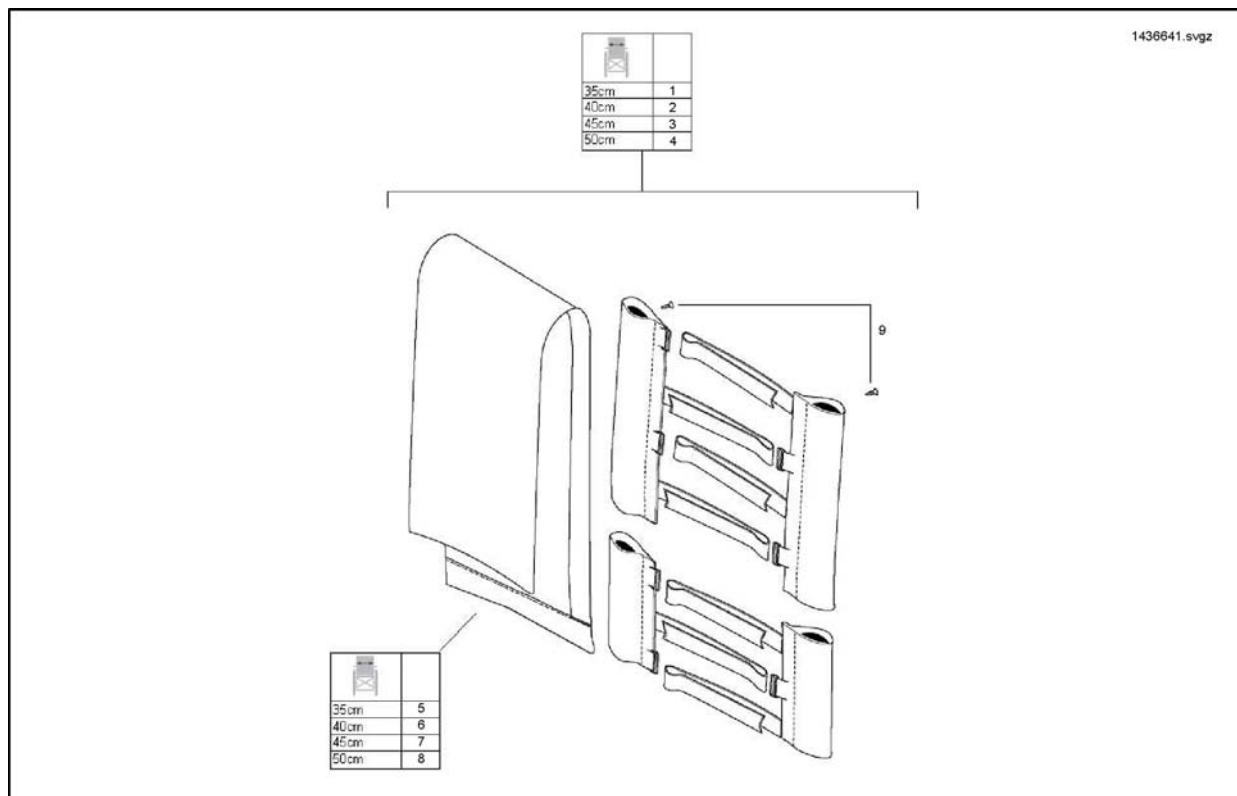


Pos.	Part number	Description	Valid from → until	Qty
1	SP1541754	Backrest foldable, Seatwidth 35cm. cpl.		1
1	SP1541755	Backrest foldable, Seatwidth 40cm. cpl.		1
1	SP1541756	Backrest foldable, Seatwidth 45cm. cpl.		1
1	SP1541757	Backrest foldable, Seatwidth 50cm. cpl.		1
2	SP1548131	Backresttube foldable		1
3	1436637-0216	Back Brace 35cm W		1
3	1436638-0216	Back Brace 40cm W		1
3	1436639-0216	Back Brace 45cm W		1
3	1436640-0216	Back Brace 50cm W		1
4	1435421	Handle plastic black Ø22 "Invacare"		1
5	90288161	Handwheel M8 X 30 73240		1



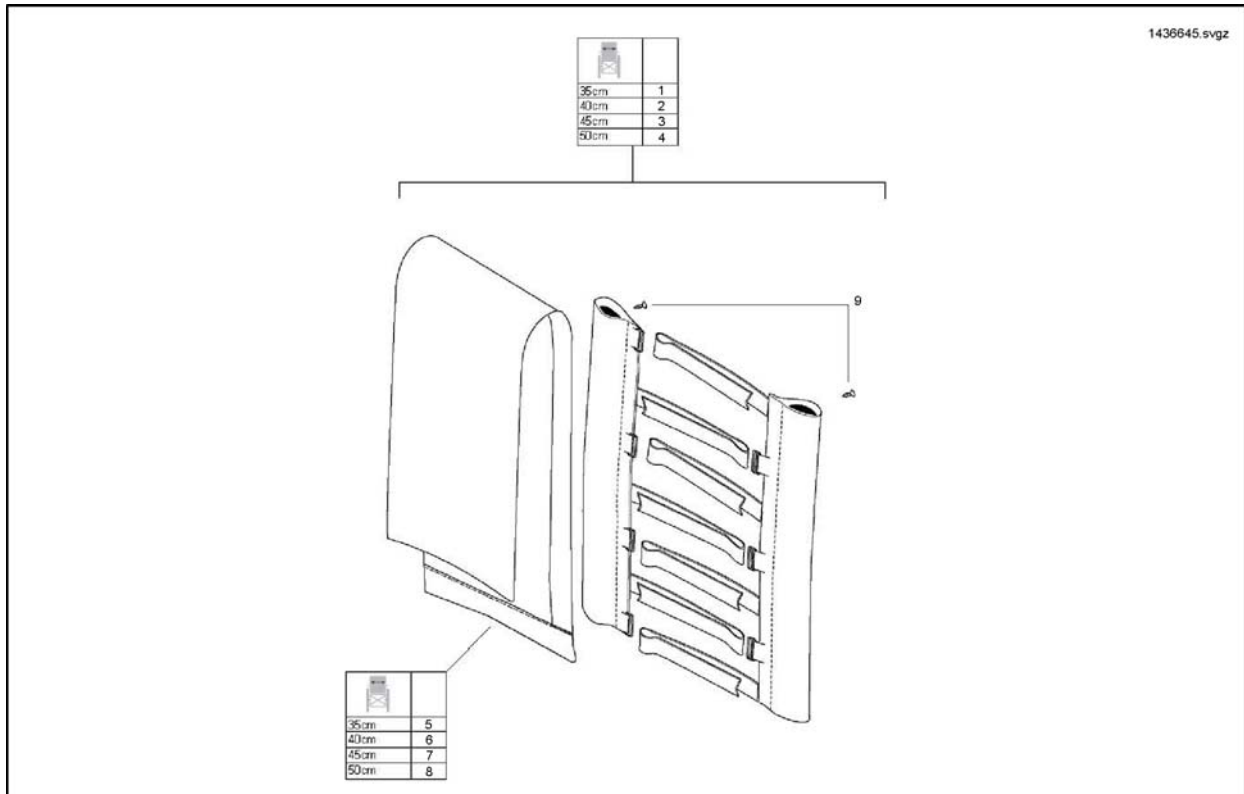
Pos.	Part number	Description	Valid from → until	Qty
1	SP1553437	Tension adjustable for Backresthight 53		1
2	SP1551032	Backrestcushion SW40 & BH53		1
2	SP1551136	Backrestcushion SW45 & BH53		1
2	SP1551137	Backrestcushion SW50 & BH53		1

Recliner Back & 40cm Seat Depth Back Upholstery



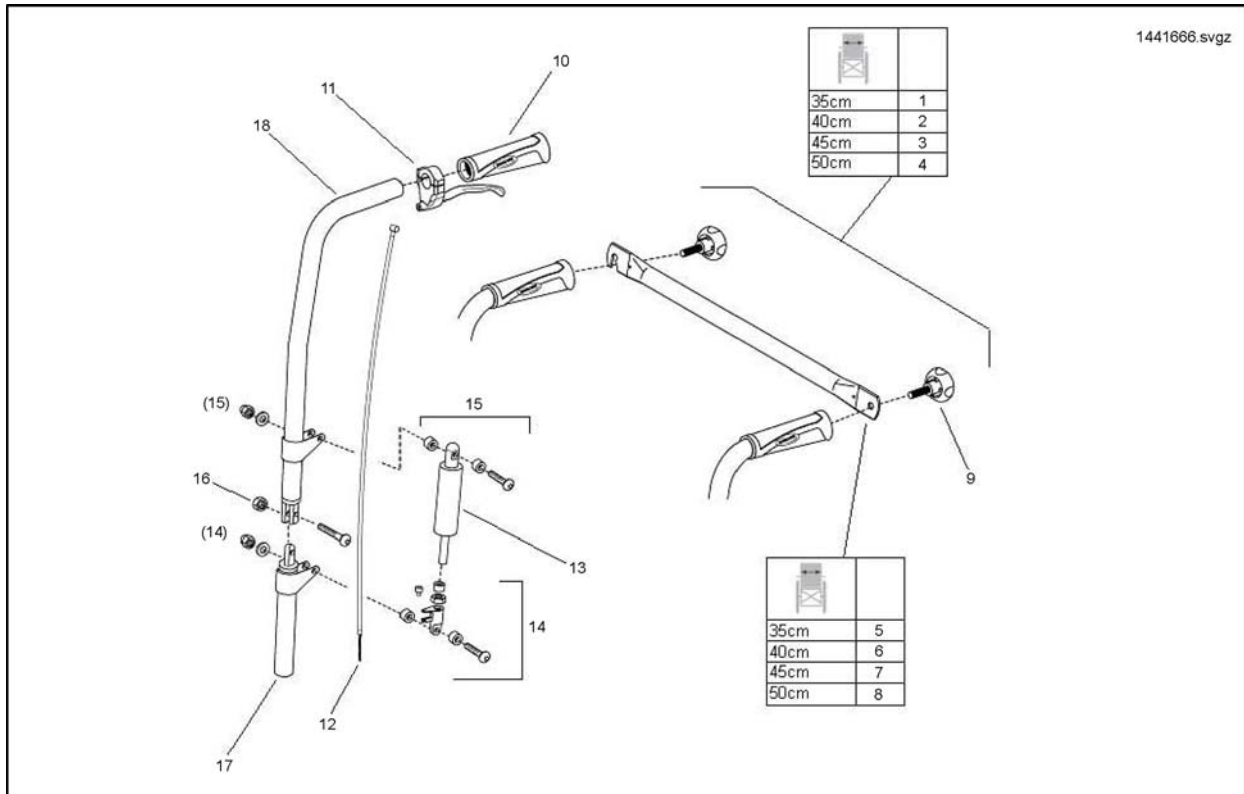
Pos.	Part number	Description	Valid from → until	Qty
1	1436641-0207	Angle Adjustable Tension Back Upholstery Complete 35cm W		1
2	1436642-0207	Angle Adjustable Tension Back Upholstery Complete 40cm W		1
3	1436643-0207	Angle Adjustable Tension Back Upholstery Complete 45cm W		1
4	1436644-0207	Angle Adjustable Tension Back Upholstery Complete 50cm W		1
5	1436628-0207	Tension Adjustable Back Cushion 35cm W		1
6	-	No longer available.		0
7	-	No longer available.		0
8	1436631-0207	Tension Adjustable Back Cushion 50cm W		1
9	1441618	Backrest Upholstery Fixing Kit		1

Fixed Back 45cm Seat Depth Tension Adjustable Upholstery

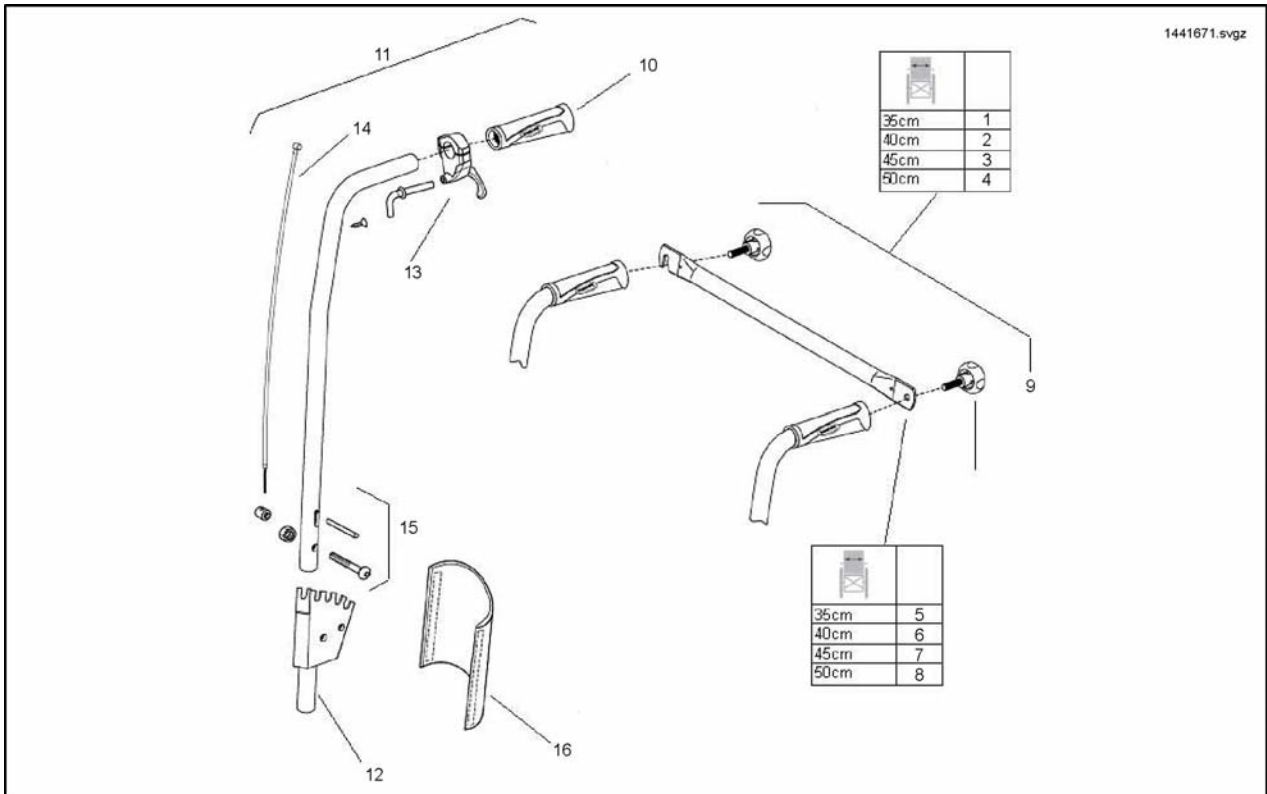


Pos.	Part number	Description	Valid from → until	Qty
1	1436645-0207	Tension Adjustable Back Upholstery Complete 35cm W		1
2	1436646-0207	Tension Adjustable Back Upholstery Complete 40cm W		1
3	1436647-0207	Tension Adjustable Back Upholstery Complete 45cm W		1
4	1436648-0207	Tension Adjustable Back Upholstery Complete 50cm W		1
5	1436628-0207	Tension Adjustable Back Cushion 35cm W		1
6	-	No longer available.		0
7	-	No longer available.		0
8	1436631-0207	Tension Adjustable Back Cushion 50cm W		1
9	1441618	Backrest Upholstery Fixing Kit		1

Gas Recliner Back Post

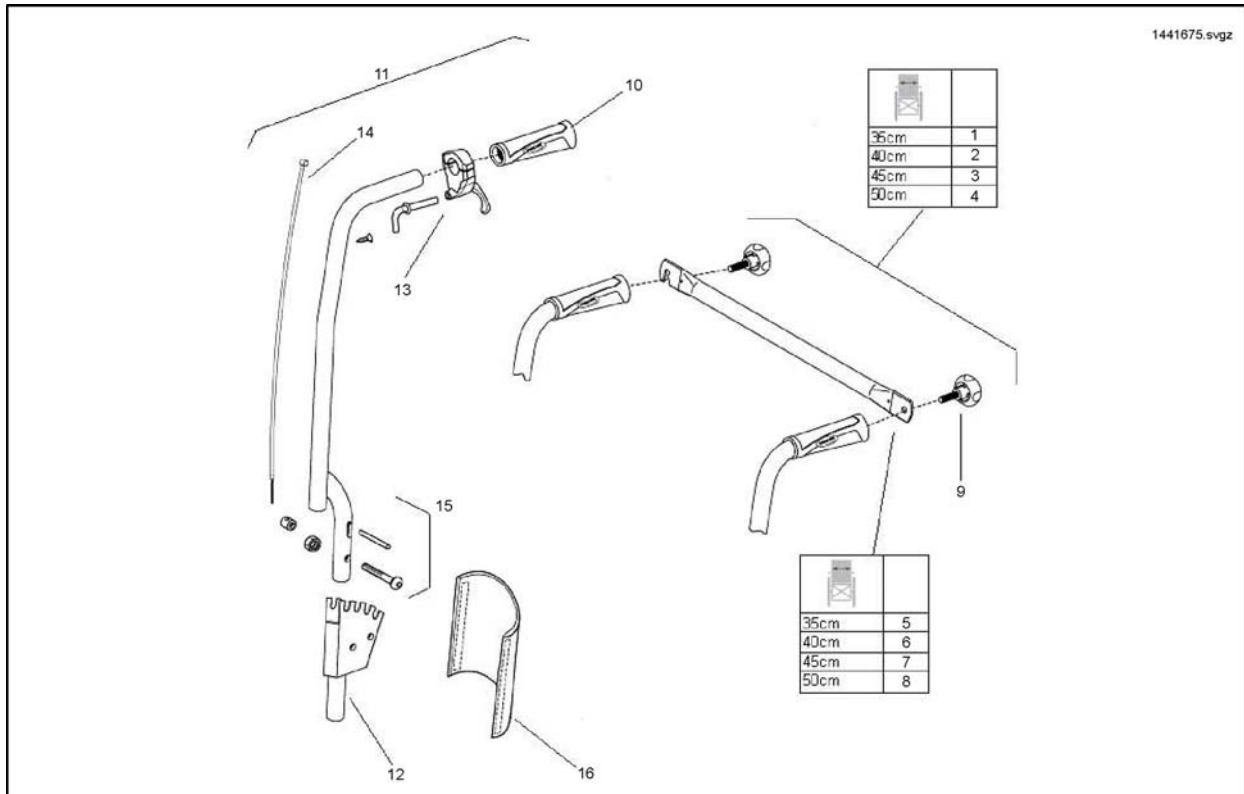


Pos.	Part number	Description	Valid from → until	Qty
1	1441666	Gas Recliner Backrest Posts Complete With Backbrace (No Upholstery) 35cm W		1
2	1441667	Gas Recliner Backrest Posts Complete With Backbrace (No Upholstery) 40cm W		1
3	1441668	Gas Recliner Backrest Posts Complete With Backbrace (No Upholstery) 45cm W		1
4	1441669	Gas Recliner Backrest Posts Complete With Backbrace (No Upholstery) 50cm W		1
5	1436637-0216	Back Brace 35cm W		1
6	1436638-0216	Back Brace 40cm W		1
7	1436639-0216	Back Brace 45cm W		1
8	1436640-0216	Back Brace 50cm W		1
9	90288161	Handwheel M8 X 30 73240		1
10	1435421	Handle plastic black Ø22 "Invacare"		1
12	SP1441670	Recliner Cable Assembly		1
13	3017/RA/01	Gas Spring		1
14	1441633	Gas Spring Fittings And Lower Fixation Kit		1
15	1441645	Gas Spring Upper Fixation Kit		1
16	1441648	Back Post Fixation Kit		1
17	1433381-0216	Lower Recliner Backpost		1
18	1433380-0216	Upper Recliner Backpost		1
19	1436873	Gas Recliner Backrest Posts C/W Tension Upholstery Without Backbrace 35cm		1
20	1436874	Gas Recliner Backrest Posts C/W Tension Upholstery Without Backbrace 40cm		1
21	1436875	Gas Recliner Backrest Posts C/W Tension Upholstery Without Backbrace 45cm		1
22	1436876	Gas Recliner Backrest Posts C/W Tension Upholstery Without Backbrace 50cm		1

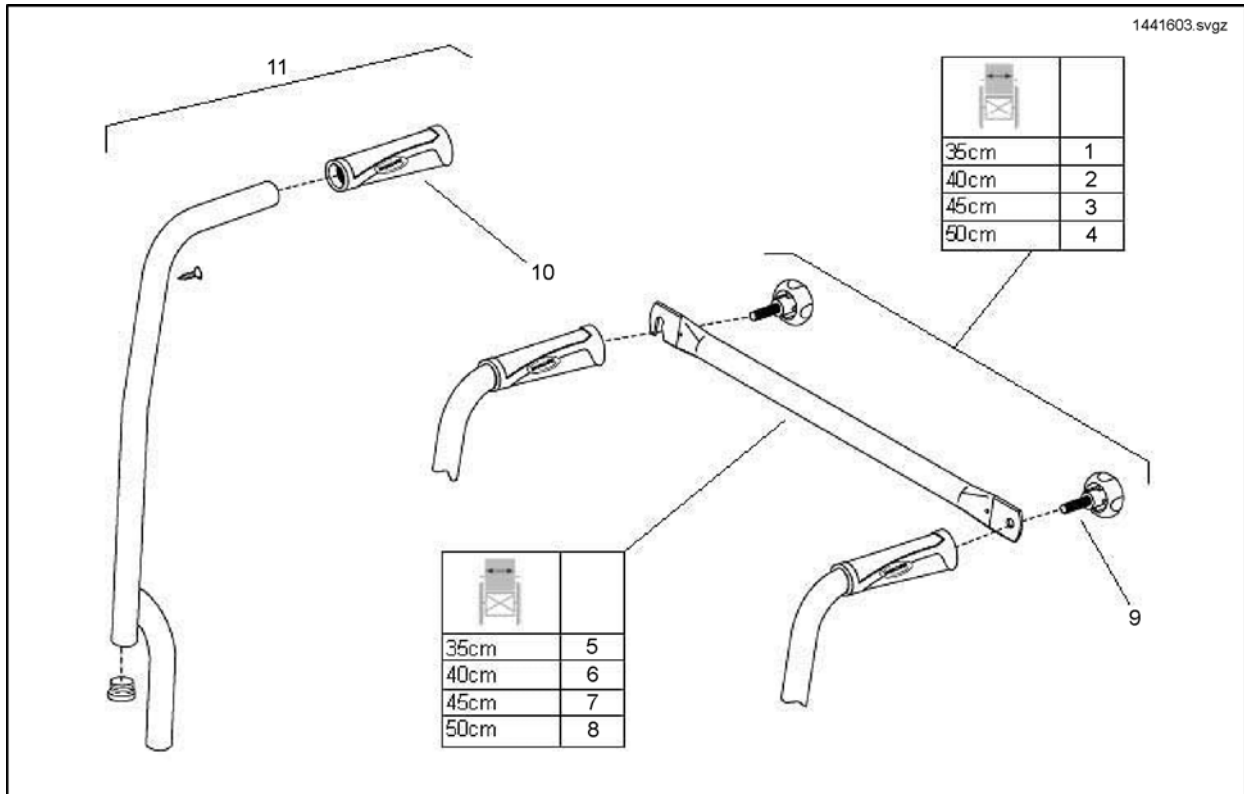


Pos.	Part number	Description	Valid from → until	Qty
1	1441671	Manual Recliner Backrest Posts Complete With Backbrace (No Upholstery)		1
2	1441672	Manual Recliner Backrest Posts Complete With Backbrace (No Upholstery)		1
3	1441673	Manual Recliner Backrest Posts Complete With Backbrace (No Upholstery)		1
4	1441674	Manual Recliner Backrest Posts Complete With Backbrace (No Upholstery)		1
5	1436637-0216	Back Brace 35cm W		1
6	1436638-0216	Back Brace 40cm W		1
7	1436639-0216	Back Brace 45cm W		1
8	1436640-0216	Back Brace 50cm W		1
9	90288161	Handwheel M8 X 30 73240		1
10	1435421	Handle plastic black Ø22 "Invacare"		1
11	1436870	Manual Recliner Post Top Section Complete		1
12	1436872	Manual Recliner Post Bottom Section Complete		1
13	1433747	Recliner backrest trigger		1
14	1430851	Recliner backrest cable Kit		1
15	1441679	Pivot Fixation Kit		1
16	1442357	Cover Rec B/Rest Ratchet		1

Manual Recliner Back Post 40cm Seat Depth

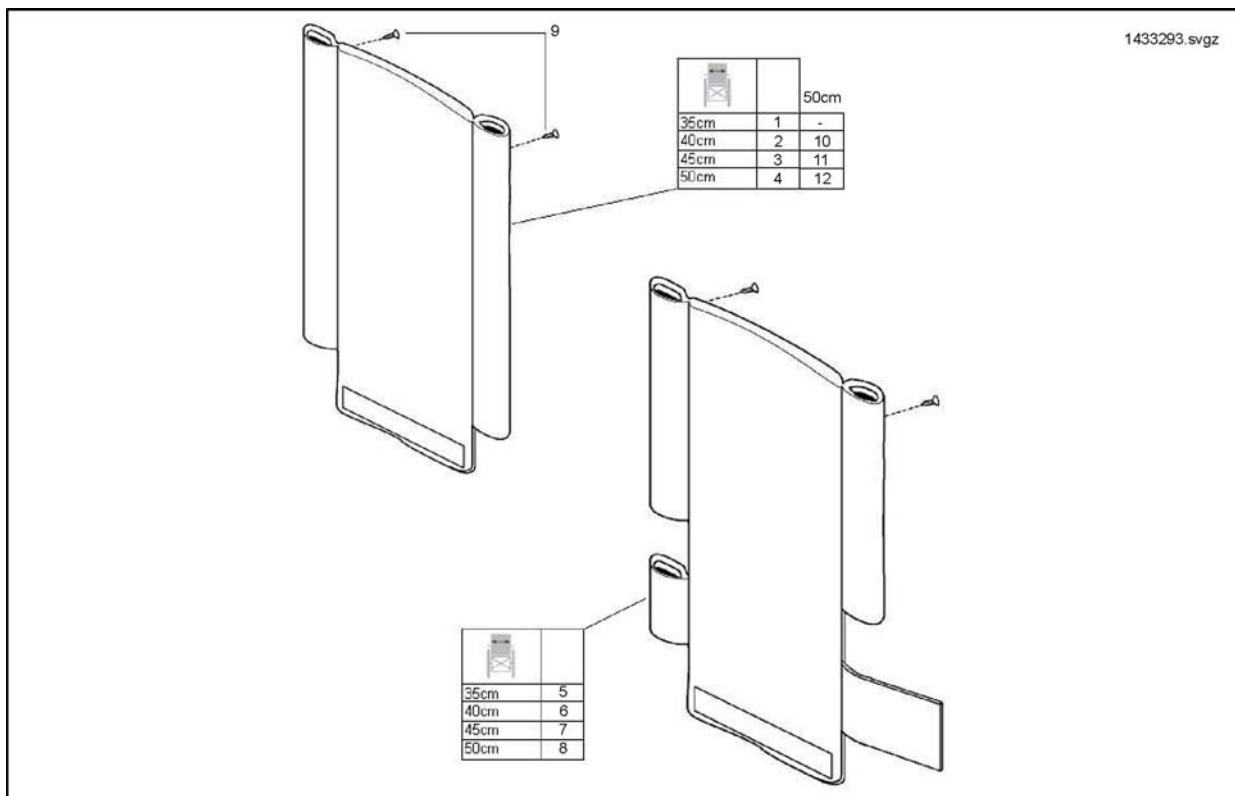


Pos.	Part number	Description	Valid from → until	Qty
1	1441675	Manual Recliner Backrest Posts Cpl. With Backbrace 35cm W 40cm Depth		1
2	1441676	Manual Recliner Backrest Posts Cpl. With Backbrace 40cm W 40cm Depth		1
3	1441677	Manual Recliner Backrest Posts Cpl. With Backbrace 45cm W 40cm Depth		1
4	1441678	Manual Recliner Backrest Posts Cpl. With Backbrace 50cm W 40cm Depth		1
5	1436637-0216	Back Brace 35cm W		1
6	1436638-0216	Back Brace 40cm W		1
7	1436639-0216	Back Brace 45cm W		1
8	1436640-0216	Back Brace 50cm W		1
9	90288161	Handwheel M8 X 30 73240		1
10	1435421	Handle plastic black Ø22 "Invacare"		1
11	1442385	Manual Recliner Post Top Section Complete 40cm Seat Depth		1
12	1436872	Manual Recliner Post Bottom Section Complete		1
13	1433747	Recliner backrest trigger		1
14	1430851	Recliner backrest cable Kit		1
15	1441679	Pivot Fixation Kit		1
16	1442357	Cover Rec B/Rest Ratchet		1



Pos.	Part number	Description	Valid from → until	Qty
1	1441599	Fixed Backrest Posts With Backbrace SW35cm & SD40cm & BH45		1
1	1441603	Fixed Backrest Posts With Backbrace SW35cm & SD44/50cm & BH45		1
2	1441600	Fixed Backrest Posts With Backbrace SW40cm & SD40cm & BH45		1
2	1441604	Fixed Backrest Posts With Backbrace SW40cm & SD44/50cm & BH45		1
3	1441601	Fixed Backrest Posts With Backbrace SW45cm & SD40cm & BH45		1
3	1441605	Fixed Backrest Posts With Backbrace SW45cm & SD44/50cm & BH45		1
4	1441602	Fixed Backrest Posts With Backbrace SW50cm & SD40cm & BH45		1
4	1441606	Fixed Backrest Posts With Backbrace SW50cm & SD44/50cm & BH45		1
5	1436637-0216	Back Brace 35cm W		1
6	1436638-0216	Back Brace 40cm W		1
7	1436639-0216	Back Brace 45cm W		1
8	1436640-0216	Back Brace 50cm W		1
9	90288161	Handwheel M8 X 30 73240		1
10	1435421	Handle plastic black Ø22 "Invacare"		1
11	1436868	Fixed Backpost with Hand Grip, Screw and Handwheel for SD40 & SH45		1
11	1436869	Fixed Backpost with Hand Grip, Screw and Handwheel for SD44/50 & BH45		1
11	SP1524670	Fixed Backpost with Hand Grip, Screw and Handwheel for SD40 & BH53		1
11	SP1509867	Fixed Backpost with Hand Grip, Screw and Handwheel for SD44/50 & BH53		1

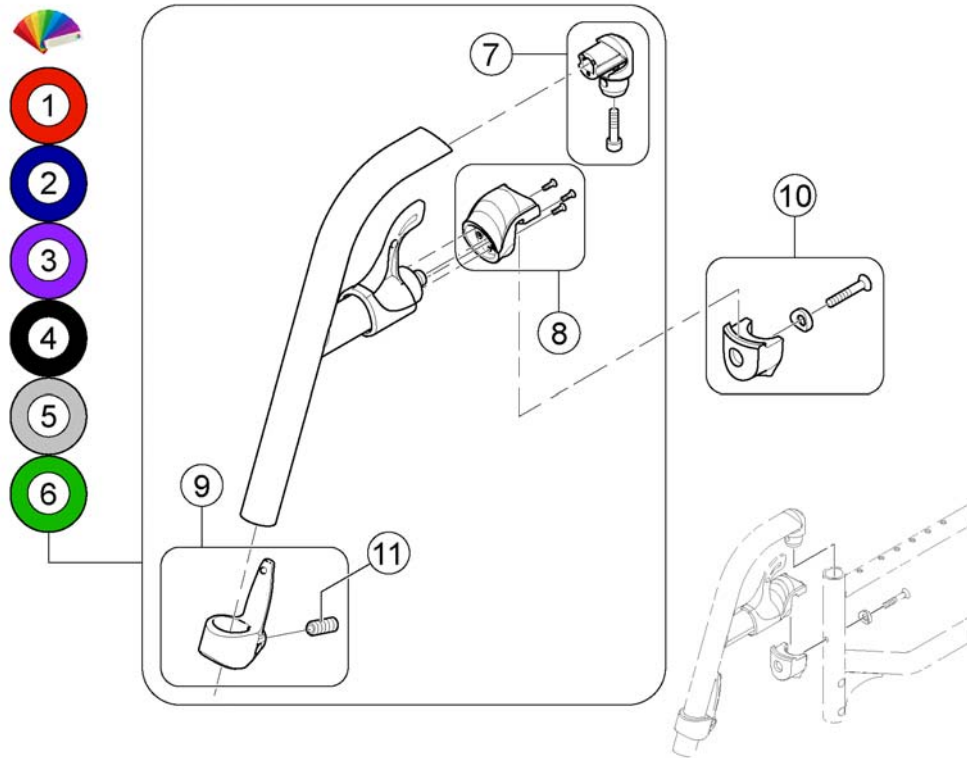
Fixed Backrest Upholstery



Pos.	Part number	Description	Valid from → until	Qty
1	1433293-0207	Standard Fixed Backrest Upholstery 35cm W		1
2	1433294-0207	Standard Fixed Backrest Upholstery 40cm W		1
3	1433295-0207	Standard Fixed Backrest Upholstery 45cm W		1
4	1433296-0207	Standard Fixed Backrest Upholstery 50cm W		1
5	1433374-0207	Angle Adjustable Backrest Upholstery 35cm W		1
6	1433375-0207	Angle Adjustable Backrest Upholstery 40cm W		1
7	1433376-0207	Angle Adjustable Backrest Upholstery 45cm W		1
8	1433377-0207	Angle Adjustable Backrest Upholstery 50cm W		1
9	1441618	Backrest Upholstery Fixing Kit		1
10	1509971	Backrest Canvas Matrix 40cm W Mirage		1
11	1509972	Backrest Canvas Matrix 45cm W Mirage		1
12	1509973	Backrest Canvas Matrix 50cm W Mirage		1

Legrest Hanger, Std. 80° (01.07.15 =>)

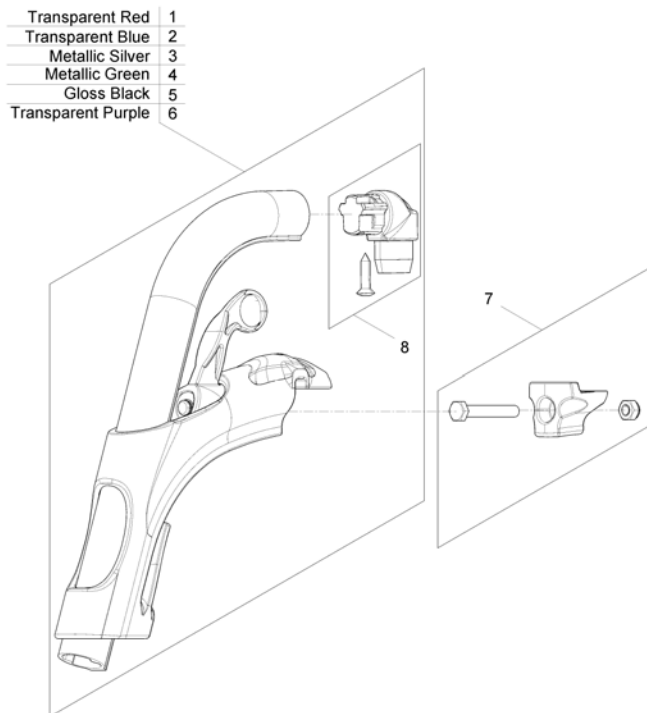
1588851.mxd



Pos.	Part number	Description	Valid from → until	Qty
1	SP1574349-0200	Hanger Standard 80° cpl. - transparent red		1
2	SP1574349-0201	Hanger Standard 80° cpl. - transparent blue		1
3	SP1574349-0202	Hanger Standard 80° cpl. - purple		1
4	SP1574349-0219	Hanger Standard 80° cpl. - black gloss		1
5	SP1574349-0221	Hanger Standard 80° cpl. - silver		1
6	SP1574349-0222	Hanger Standard 80° cpl. - metallic green		1
7	SP1588727	Kit, Pivot Std. 80° Hanger		1
8	SP1588731	Nose locking Kit		1
9	SP1588730	Calf Strap Holder, cpl.		1
10	SP1588726	Kit, Support Nose		1
11	1424571	Springscrew		1

Legrest Hanger Std 80° (=> 30.06.15)

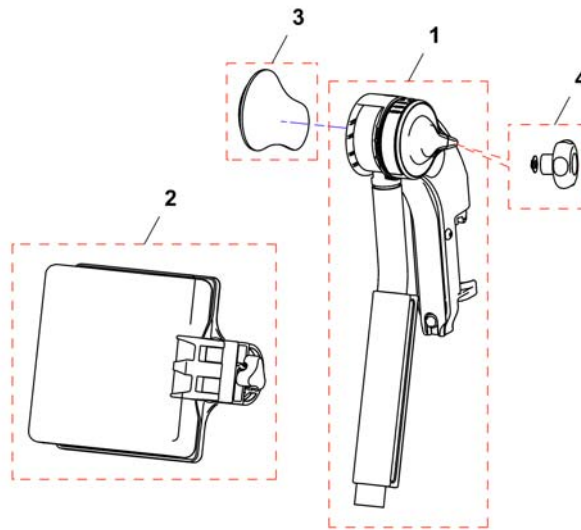
1430427 iso



Pos.	Part number	Description	Valid from → until	Qty
1	SP1436946	Legrest Hanger Trans Red		1
2	SP1436947	Legrest Hanger Trans Blue		1
3	SP1436948	Legrest Hanger Metallic Silver		1
4	SP1436949	Legrest Hanger Metallic Green		1
5	SP1441663	Legrest Hanger Gloss Black		1
6	SP1443213	Legrest Hanger Transpurple		1
7	1430427	Kit hanger locked part		1
8	SP1446055	Hanger Pivot Kit		1

Manual Elevating Legrests / Calf Pads

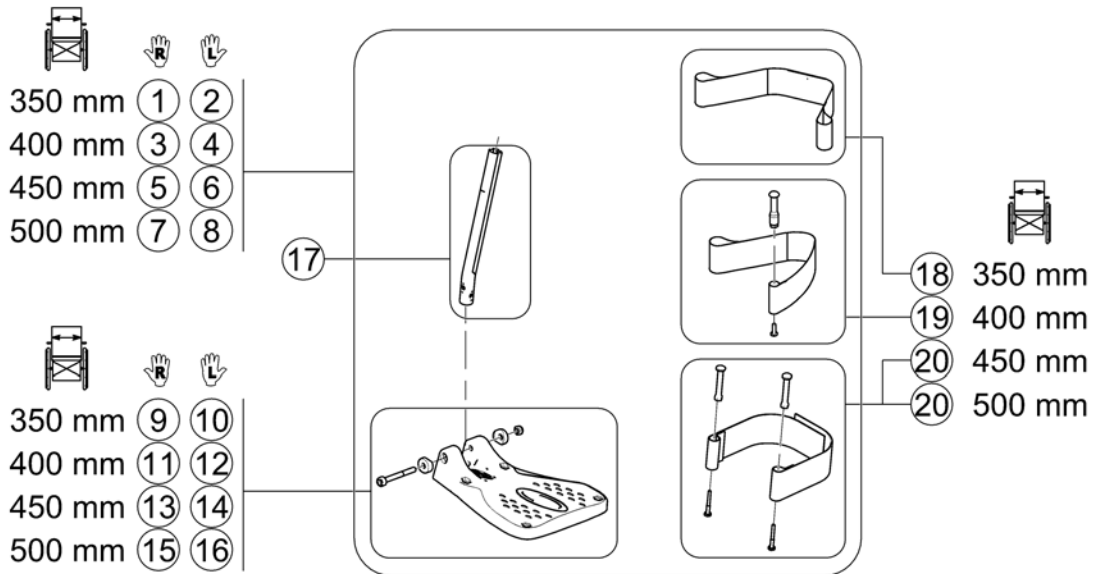
143009.dwg



Pos.	Part number	Description	Valid from → until	Qty
1	1508948	Rh elevating legrest		1
1	1508945	Lh elevating legrest		1
2	1518531	Calfpad 16", cpl.		1
2	1518532	Calfpad, 19", Dartex black, cpl.		1
3	1428336	Kneepad		1
4	1430428	Complete Knob Kit		1

Standard Footplate (used w/o Kerbrider)

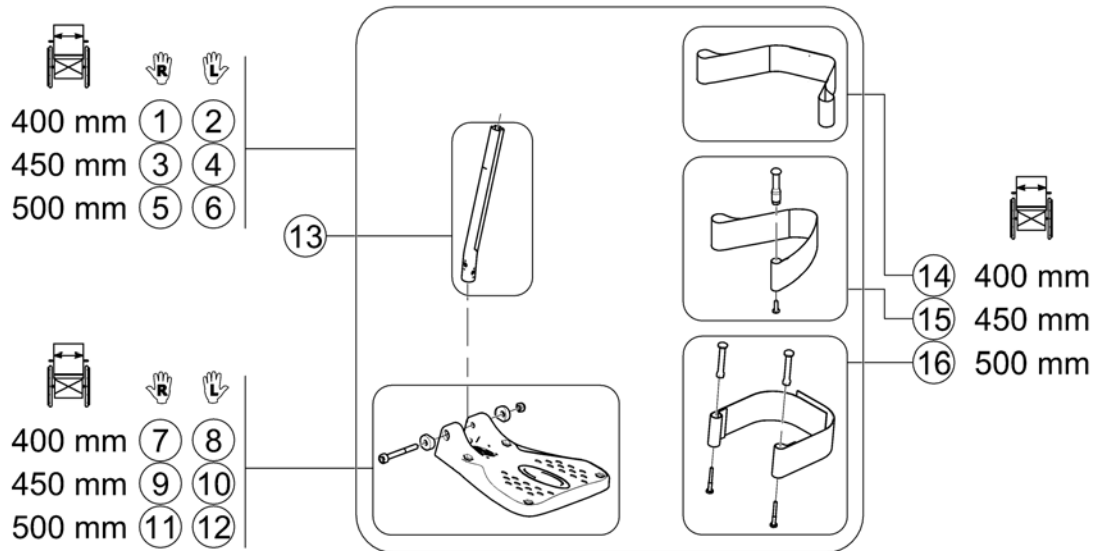
1590748.lin



Pos.	Part number	Description	Valid from → until	Qty
1	SP1441659	35cm Footplate RH		1
2	SP1441660	35cm Footplate LH		1
3	SP1428645	Footrest Tube with Footplate for Hanger, cpl.38-40,5cm RH	→ 2010-03-18	1
3	SP1537941	Footplate RH fixed angle with Support Tube, cpl.38-40,5cm	2010-03-19 →	1
4	SP1428648	Footrest Tube with Footplate for Hanger, cpl.38-40,5cm LH	→ 2010-03-18	1
4	SP1537943	Footplate LH fixed angle with Support Tube, cpl.38-40,5cm	2010-03-19 →	1
5	SP1428646	Footrest Tube with Footplate for Hanger, cpl.43-45,5cm RH	→ 2010-03-18	1
5	SP1537942	Footrest Tube with Footplate for Hanger, cpl.43-45,5cm RH	2010-03-19 →	1
6	SP1428649	Footrest Tube with Footplate for Hanger, cpl.43-45,5cm LH	→ 2010-03-18	1
6	SP1537944	Footrest Tube with Footplate for Hanger, cpl.43-45,5cm LH	2010-03-19 →	1
7	SP1428647	Footrest Tube with Footplate for Hanger, cpl.48-50,5cm RH		1
8	SP1428650	Footrest Tube with Footplate for Hanger, cpl.48-50,5cm LH		1
9	0572-04447	Footplate, fixed, Rh, 133mm		1
10	0572-04433	Footplate, fixed, Lh, 133mm		1
11	1428341	FOOTPLATE 19, RIGHT	→ 2010-03-18	1
11	SP1529642	Footplate RH	2010-03-19 →	1
12	1428340	FOOTPLATE 19, LEFT	→ 2010-03-18	1
12	SP1529643	Footplate LH	2010-03-19 →	1
13	1424575	FOOTPLATE 21, RIGHT	→ 2010-03-18	1
13	SP1529644	FOOTPLATE RH	2010-03-19 →	1
14	1424574	FOOTPLATE 21, LEFT	→ 2010-03-18	1
14	SP1529645	FOOTPLATE LH	2010-03-19 →	1
15	1428347	FOOTPLATE 24, RIGHT	→ 2010-03-18	1
15	SP1529646	FOOTPLATE 24, RIGHT	2010-03-19 →	1
16	1428346	FOOTPLATE 24, LEFT	→ 2010-03-18	1
16	SP1529647	FOOTPLATE 24, LEFT	2010-03-19 →	1
17	1434561-0010	Footrest Tube, Short		1
18	99000236	Calf Strap Black		1
19	SP1577854	Heel Strap Kit		1
20	SP1442467	Heel Strap cpl.		1

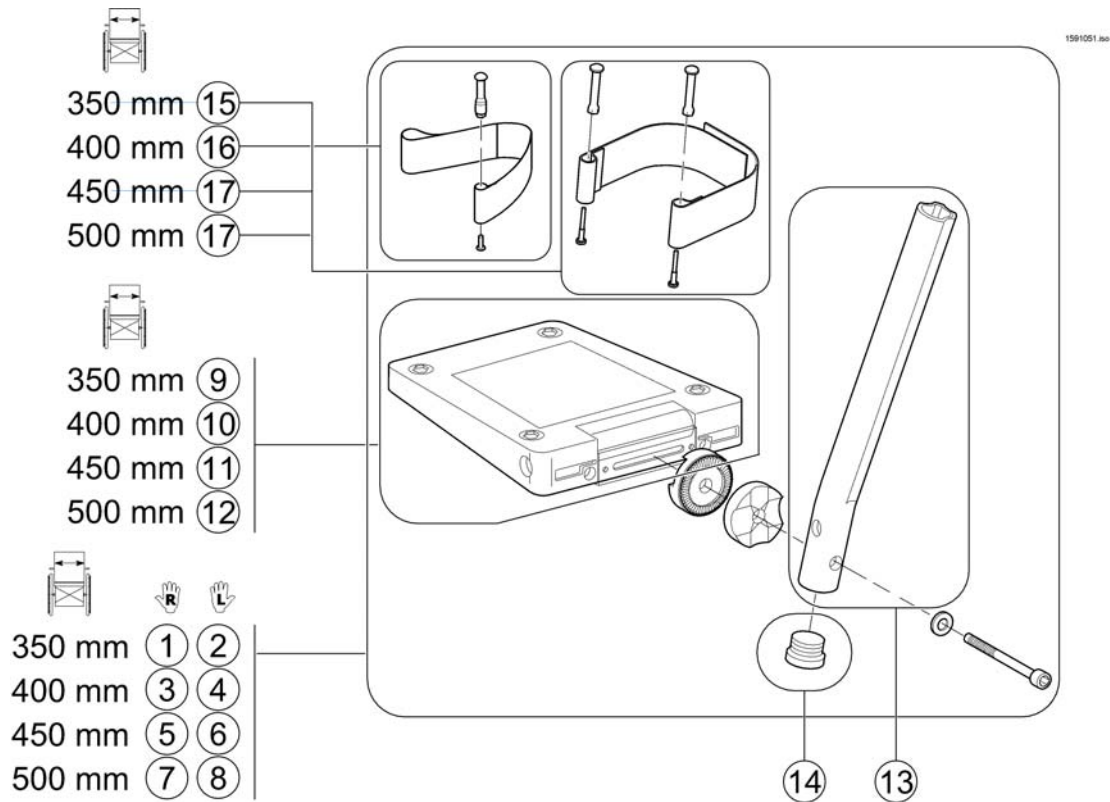
Standard Footplate (used for Kerbrider)

1590761.000



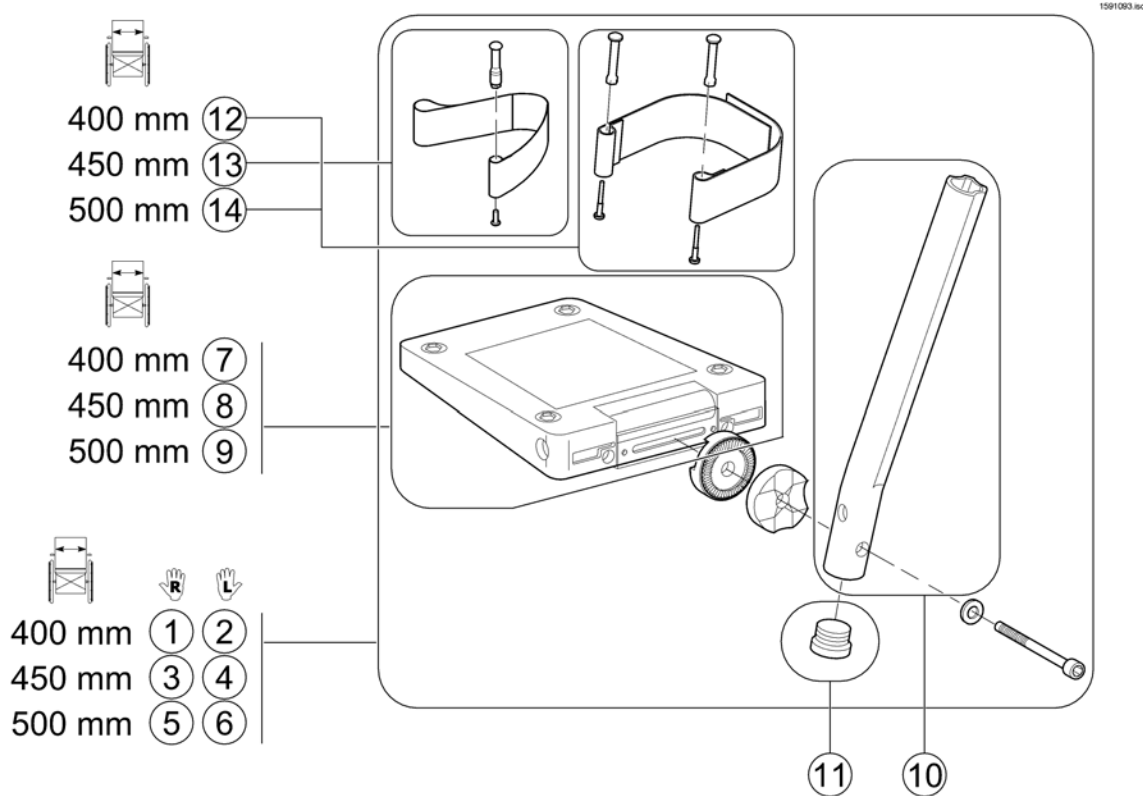
Pos.	Part number	Description	Valid from → until	Qty
1	SP1441659	35cm Footplate RH		1
2	SP1441660	35cm Footplate LH		1
3	SP1428645	Footrest Tube with Footplate for Hanger, cpl.38-40,5cm RH	→ 2010-03-19	1
3	SP1537941	Footplate RH fixed angle with Support Tube, cpl.38-40,5cm	2010-03-19 →	1
4	SP1428648	Footrest Tube with Footplate for Hanger, cpl.38-40,5cm LH	→ 2010-03-19	1
4	SP1537943	Footplate LH fixed angle with Support Tube, cpl.38-40,5cm	2010-03-19 →	1
5	SP1428646	Footrest Tube with Footplate for Hanger, cpl.43-45,5cm RH	→ 2010-03-18	1
5	SP1537942	Footrest Tube with Footplate for Hanger, cpl.43-45,5cm RH	2010-03-19 →	1
6	SP1428649	Footrest Tube with Footplate for Hanger, cpl.43-45,5cm LH	→ 2010-03-18	1
6	SP1537944	Footrest Tube with Footplate for Hanger, cpl.43-45,5cm LH	2010-03-19 →	1
7	0572-04447	Footplate, fixed, Rh, 133mm		1
8	0572-04433	Footplate, fixed, Lh, 133mm		1
9	1428341	FOOTPLATE 19, RIGHT	→ 2010-03-18	1
9	SP1529642	Footplate RH	2010-03-19 →	1
10	1428340	FOOTPLATE 19, LEFT	→ 2010-03-18	1
10	SP1529643	Footplate LH	2010-03-19 →	1
11	1424575	FOOTPLATE 21, RIGHT	→ 2010-03-18	1
11	SP1529644	FOOTPLATE RH	2010-03-19 →	1
12	1424574	FOOTPLATE 21, LEFT	→ 2010-03-18	1
12	SP1529645	FOOTPLATE LH	2010-03-19 →	1
13	1434561-0010	Footrest Tube, Short		1
14	99000236	Calf Strap Black		1
15	SP1577854	Heel Strap Kit		1
16	SP1442467	Heel Strap cpl.		1

Angle And Depth Adjustable Footplate (used w/o Kerbrider)



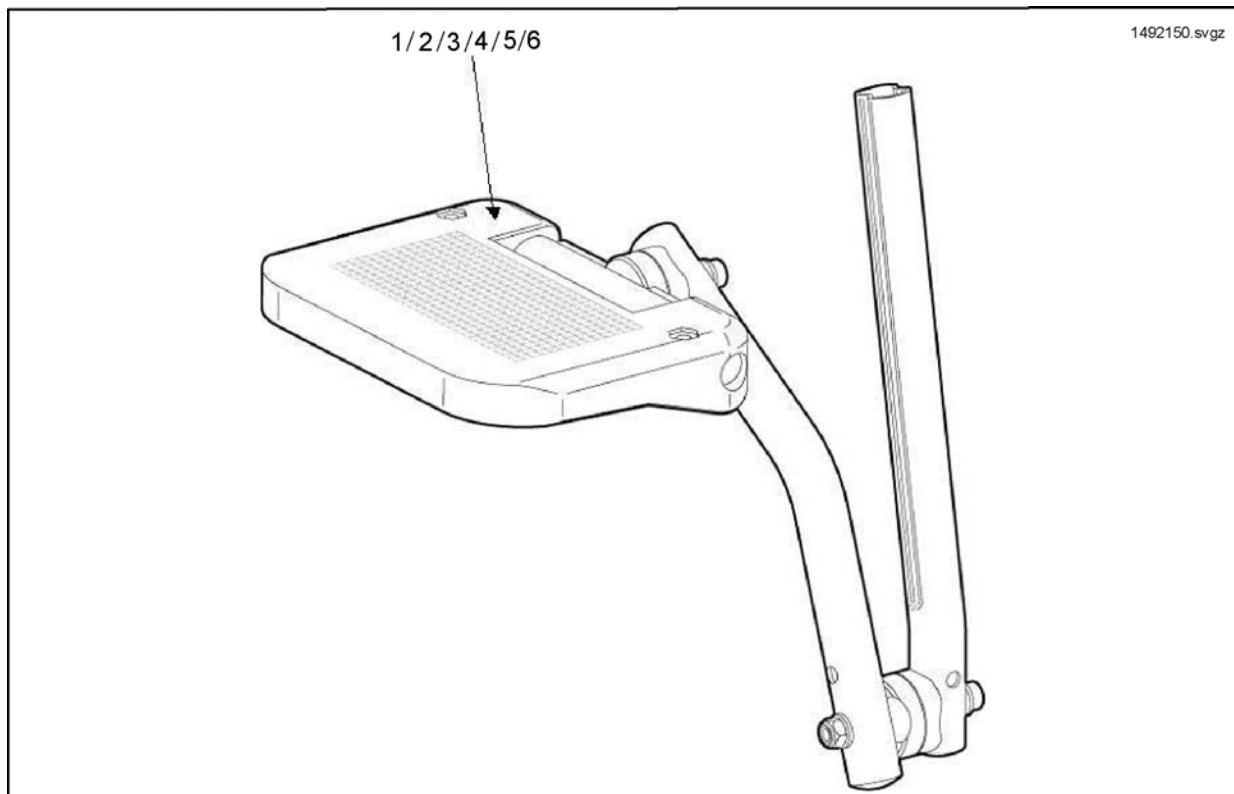
Pos.	Part number	Description	Valid from → until	Qty
1	1441661	RH Angle Adjustable Footplate Assembly 35cm W		1
2	1441662	LH Angle Adjustable Footplate Assembly 35cm W		1
3	1442359	RH Angle Adjustable Footplate Assembly 40cm W		1
4	1442360	LH Angle Adjustable Footplate Assembly 40cm W		1
5	1442361	RH Angle Adjustable Footplate Assembly 45/50cm W		1
6	1442362	LH Angle Adjustable Footplate Assembly 45/50cm W		1
7	SP1531746	Footplate RH angle and depth adjustable, 176mm, with Support Tube		1
8	SP1531745	Footplate LH angle and depth adjustable, 176mm, with Support Tube		1
9	5106371	Footplate, angle and depth adjustable, 106 mm		1
10	5106374	Footplate 14 aa, Cpl.		1
11	5106375	Footplate 16 aa, Cpl.		1
12	5106376	Footplate 18 aa, Cpl.		1
13	1434561-0010	Footrest Tube, Short		1
14	1440041	Plug, Steel		1
15	1430402	HEELSTRAP COMPLETE		1
16	SP1577854	Heel Strap Kit		1
17	SP1442467	Heel Strap cpl.		1
-	1511827	Footplate Extension cpl. 40cm RH		1
-	1511826	Footplate Extension cpl. 40cm LH		1
-	1511829	Footplate Extension cpl. 45-50cm RH		1
-	1511828	Footplate Extension cpl. 45-50cm LH		1

Angle And Depth Adjustable Footplate (used for Kerbrider)



Pos.	Part number	Description	Valid from → until	Qty
1	1441661	RH Angle Adjustable Footplate Assembly 35cm W		1
2	1441662	LH Angle Adjustable Footplate Assembly 35cm W		1
3	1442359	RH Angle Adjustable Footplate Assembly 40cm W		1
4	1442360	LH Angle Adjustable Footplate Assembly 40cm W		1
5	1442361	RH Angle Adjustable Footplate Assembly 45/50cm W		1
6	1442362	LH Angle Adjustable Footplate Assembly 45/50cm W		1
7	5106371	Footplate, angle and depth adjustable, 106 mm		1
8	5106374	Footplate 14 aa, Cpl.		1
9	5106375	Footplate 16 aa, Cpl.		1
10	1434561-0010	Footrest Tube, Short		1
11	1440041	Plug, Steel		1
12	1430402	HEELSTRAP COMPLETE		1
13	SP1577854	Heel Strap Kit		1
14	SP1442467	Heel Strap cpl.		1
-	1511827	Footplate Extension cpl. 40cm RH		1
-	1511826	Footplate Extension cpl. 40cm LH		1
-	1511829	Footplate Extension cpl. 45-50cm RH		1
-	1511828	Footplate Extension cpl. 45-50cm LH		1

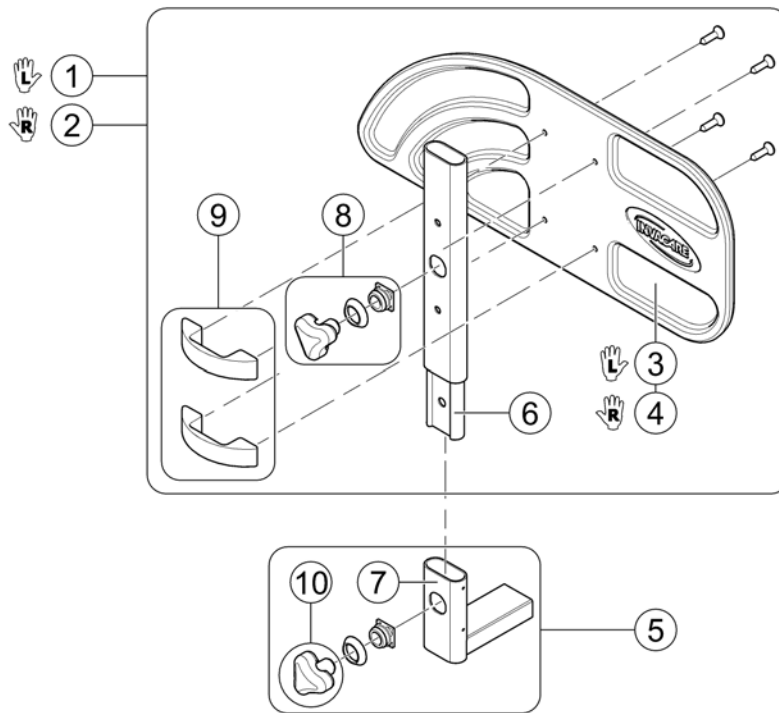
Footplate Reduction Kit



Pos.	Part number	Description	Valid from → until	Qty
1	1492150	LH Mirage Footplate Reduction Kit - 35cm Footplate		1
2	1492149	RH Mirage Footplate Reduction Kit - 35cm Footplate		1
3	1492148	LH Mirage Footplate Reduction Kit - 41cm Footplate		1
4	1492147	RH Mirage Footplate Reduction Kit - 41cm Footplate		1
5	1492154	LH Mirage Footplate Reduction Kit - 43cm Footplate		1
6	1492153	RH Mirage Footplate Reduction Kit - 43cm Footplate		1

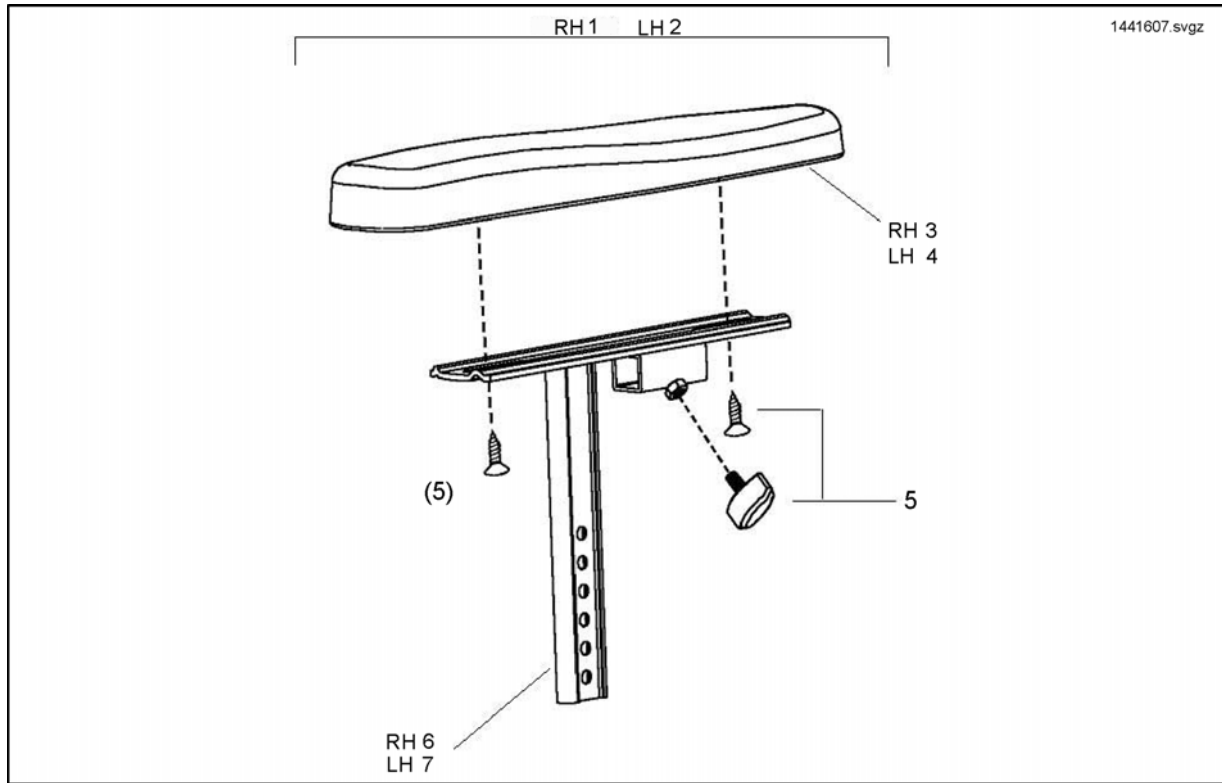
Siderests

1436962 Rev



Pos.	Part number	Description	Valid from → until	Qty
-	P31298	Reflector, yellow		1
1	SP1436963	Siderest, cpl. - LH		1
2	SP1436962	Siderest, cpl. - RH		1
3	1433291	Skirt-Guard (single part) - LH		1
4	1433292	Skirt-Guard (single part) - RH		1
5	SP1436966	Siderest Mounting Bracket, cpl. - short		1
5	1485103	Siderest Mounting Bracket, cpl. - long (+40mm)		1
6	1433393-0216	Siderest Mid Section Tube		1
7	1433389-0216	Siderest Mounting Bracket (single part) - short		1
7	1442072-0216	Siderest Mounting Bracket (single part) - long		1
8	1436964	Armrest Adjustment Kit, cpl.		1
9	1436965	Fixation Kit (2 brackets & 4 screws)		1
10	1434623	Ball Screw Court 75mm		1

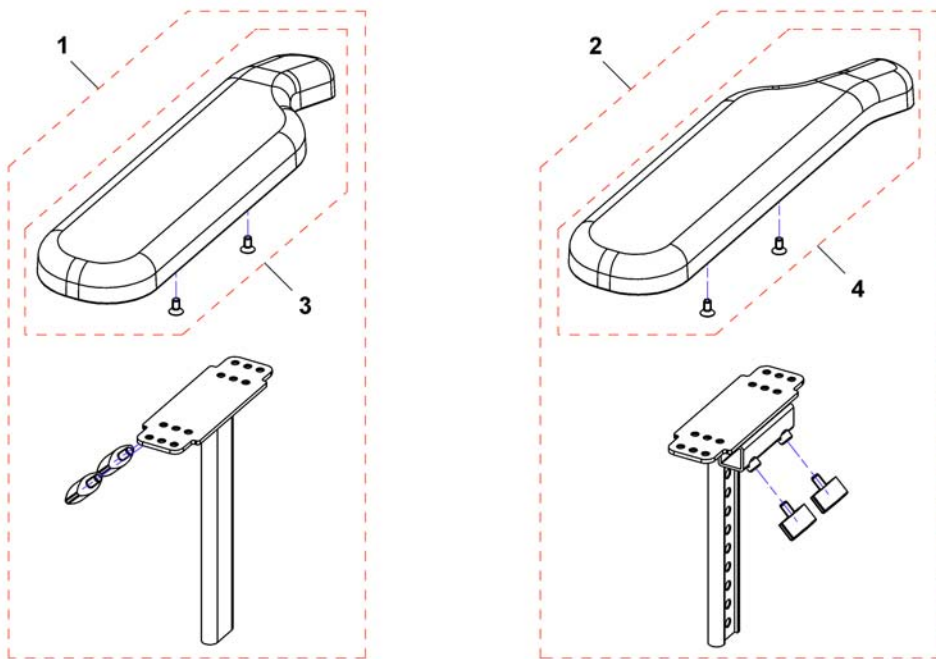
Armrests



Pos.	Part number	Description	Valid from → until	Qty
1	SP1441607	Armrest holder with Ergonomic Pad RH		1
2	SP1441608	Armrest holder with Ergonomic Pad LH		1
3	1433327	Ergonomic Armpad RH		1
4	1433328	Ergonomic Armpad LH		1
5	1436967	Armrest Top Fixation Kit		1
6	1433316-0216	RH Armrest Top Tube Only		1
7	1433317-0216	LH Armrest Top Tube Only		1

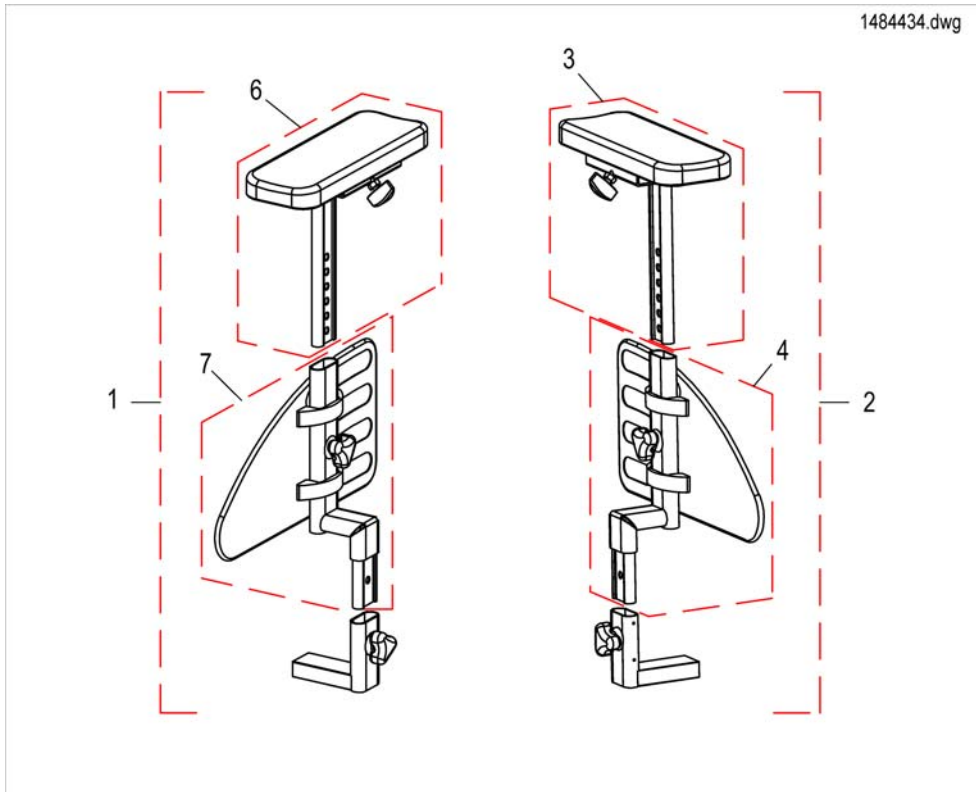
Armrest

1552168.dwg

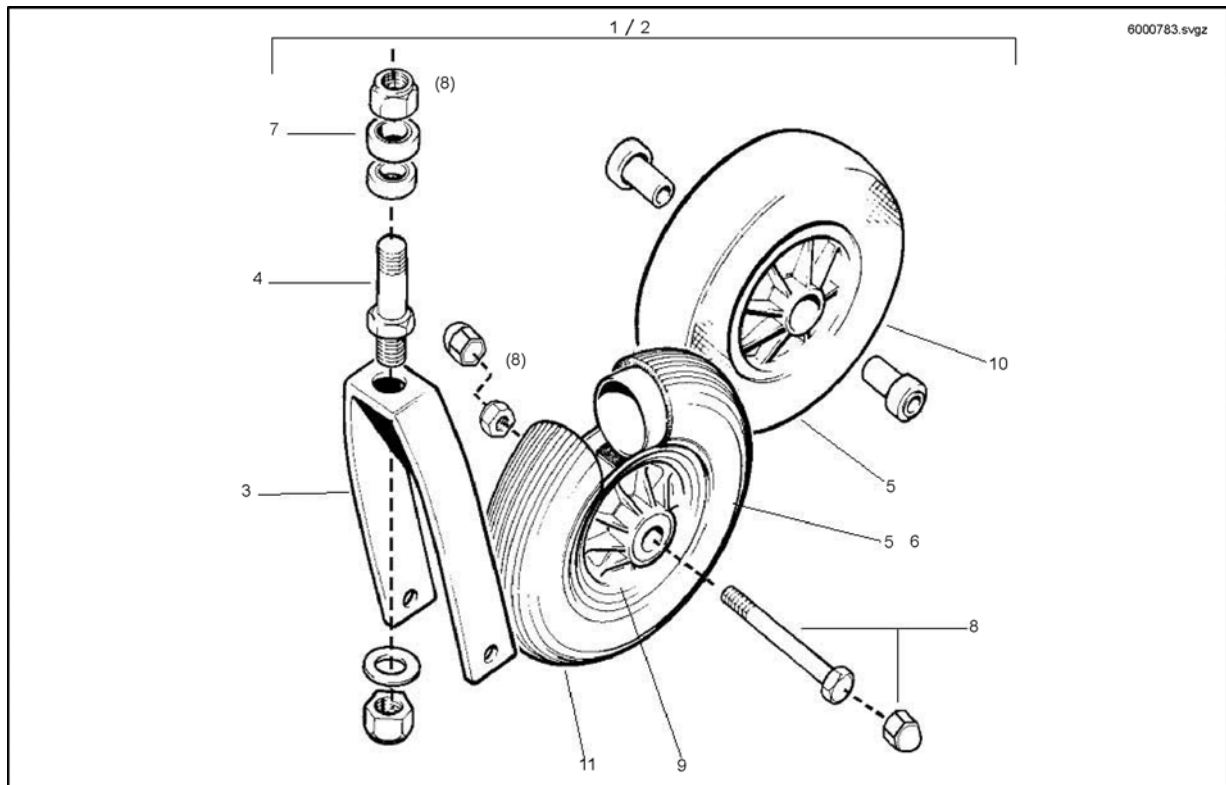


Pos.	Part number	Description	Valid from → until	Qty
1	SP1553216	Armrest, cpl., RH		1
2	SP1553217	Armrest, cpl., LH		1
3	SP1528845	Armpad, Extended (375mm), RH		1
4	SP1528846	Armpad, Extended (375mm), LH		1
5	SPL31001	Wing Screw M6x10		1

Inrigged Armrest

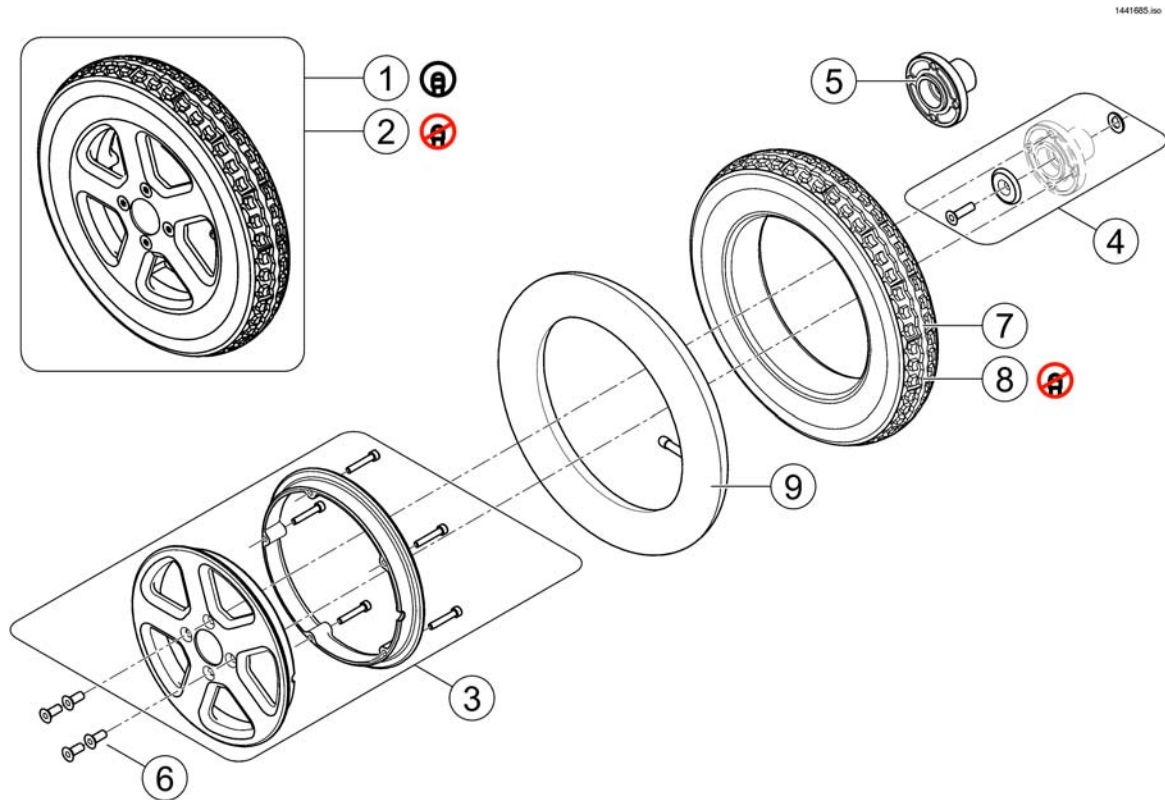


Pos.	Part number	Description	Valid from → until	Qty
1	1484434	Inrigged Armrest Assy Complete RH		1
2	1484432	Inrigged Armrest Assy Complete LH		1
3	1484602	Inrigged Armrest Top Section Complete RH		1
4	1484655	Inrigged Armrest Mid Section Complete RH		1
6	1484601	Inrigged Armrest Top Section Complete LH		1
7	1484600	Inrigged Armrest Mid Section Complete LH		1



Pos.	Part number	Description	Valid from → until	Qty
1	SP6000783	Fork Kpl. 200 X 50 Air		1
2	SP6000784	Fork Kpl. 200X50 Ps		1
3,4,8	SP1433119	Front fork		1
4	6000811	Castor Stem		1
5	M11010	TYRE, 200 X 50, GROOVED, GREY		1
6	M12017	Castor Inner Tube 200x50, kpl		1
7	N00204	Bearing - Castor Stem		1
8	1441652	Castor Fixing Kit		1
9	-	No longer available - please refer to Replacement Info for which part is to be used instead. U121051		0
10	5004534	Castor Wheel Solid Tyre Complete With Bearings		1
11	U121051	Wheel 200X50 With 2-Part Rim, Black/Grey		1

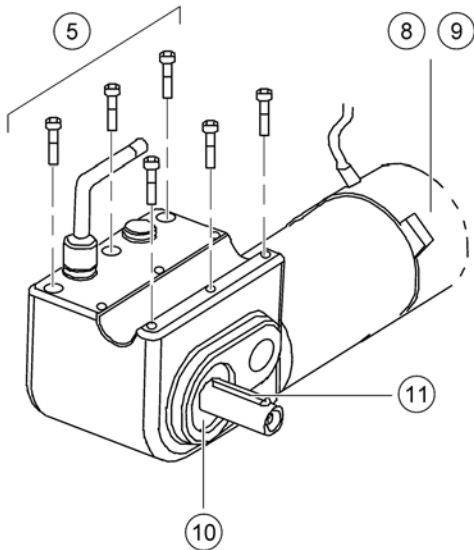
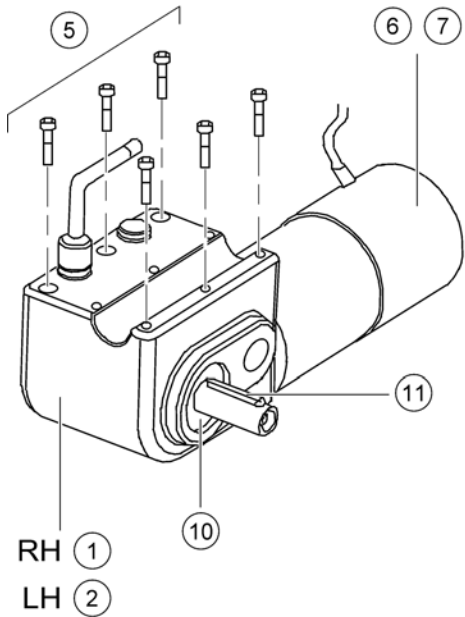
Rear Wheels



Pos.	Part number	Description	Valid from → until	Qty
1	SP1580095	Wheel (12.5" x 2.25") Pneumatic with Tube, cpl. with 4 screws - No hub		1
2	SP1580097	Wheel (12.5" x 2.25") Solid puncture proof, cpl. with 4 screws - No hub		1
3	1442602	Wheel Rim Kit black, cpl.		1
4	SP1580098	Hub Mounting Kit (A)		1
5	1509053-0002	Wheel Hub, 4-hole		1
6	1496138	Countersunk bolt M8x25-12.9 zc - DIN7991 (each)		1
7	M11005	Tire 12.5" x 2.25"		1
8	23009262	Tire 12.5" x 2.25" Puncture Proof		1
9	M12004	Inner Tube 12.5" x 2.25"		1

Motor Gear Box

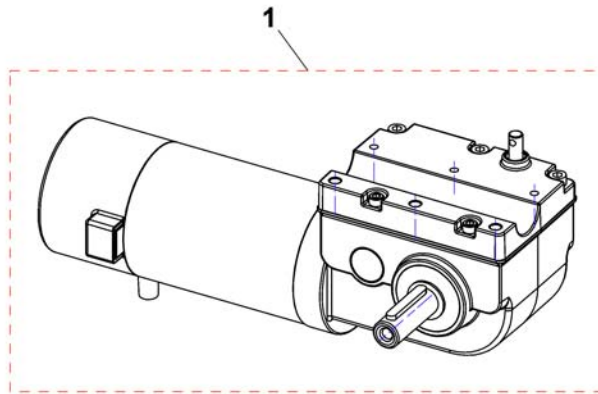
1436632.000



Pos.	Part number	Description	Valid from → until	Qty
1	SP1436632	Motor 6km/h RH (Hua-Feng)		1
2	SP1436633	Motor 6km/h LH (Hua-Feng)		1
-	SP1551712	Labelset "Push/Drive" <i>not shown</i>		1
5	1441971	Motor Gearbox Fixation Kit		1
6	1441655	Motor Brush Set (Hua-Feng)		1
7	1441656	Motor Electro-Magnetic Replacement Brake Kit		1
8	1441655	Motor Brush Set (Hua-Feng)		1
9	P09199	Brake Kit ATG 106W (Hua-Feng)		1
10	F353002.99	Shaft Washer		1
11	N23004	Feather key DIN6885-A-6x6x40		1
12	SP1451318	RH Motor Gearbox (Pilot Plus and VSI Systems Only)		1
13	SP1451317	LH Motor Gearbox (Pilot Plus and VSI Systems Only)		1

Motors VR2

1513846X.dwg



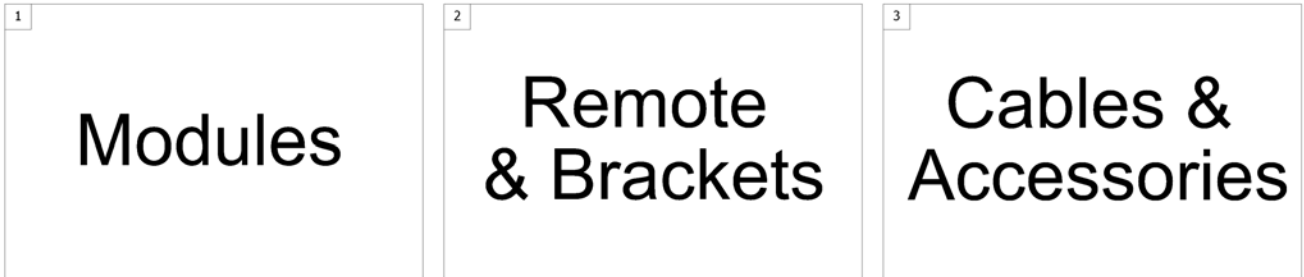
Pos.	Part number	Description	Valid from → until	Qty
1	SP1513846	VR2 Motor LH		1
1	SP1513847	VR2 Motor RH		1



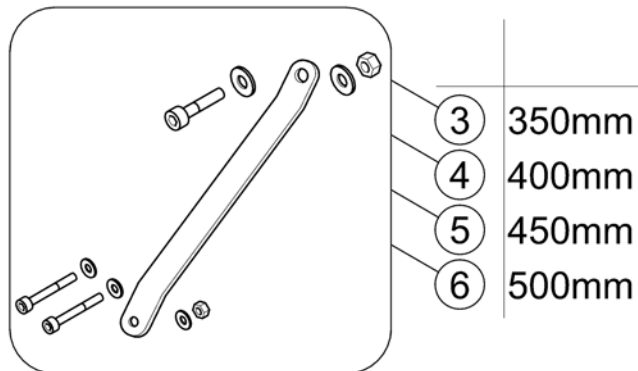
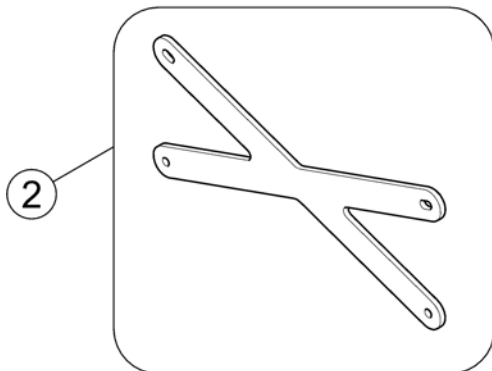
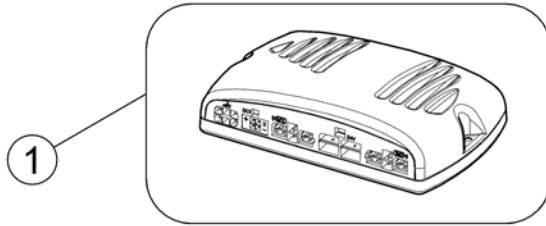
Pos.	Part number	Description	Valid from → until	Qty
1	-	Shark Electronic		1
2	-	VR2 Electronic		1
3	-	Pilot Plus Control		1

Shark Electronic

1500784.indd



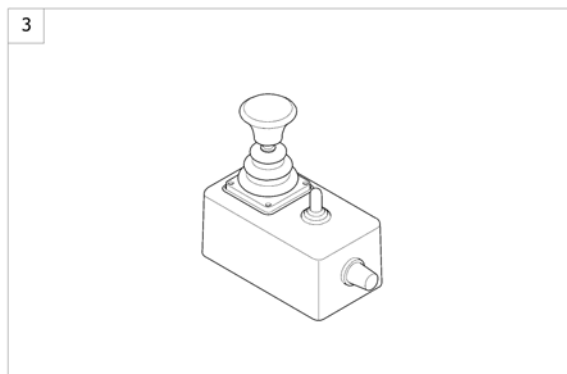
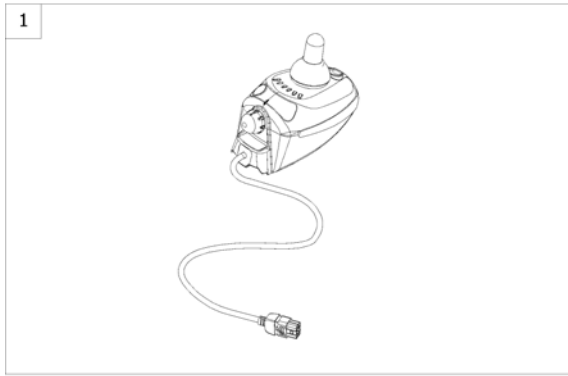
Pos.	Part number	Description	Valid from → until	Qty
1	-	Shark Power Modul		1
2	-	Shark Remote & Brackets		1
3	-	Shark Cables & Accessories		1



Pos.	Part number	Description	Valid from → until	Qty
1	1433332	Powermodule, Shark, 75A, drive only, DK-PMB01		1
2	1451339-0216	Power Module Mountingbracket Matt Black		1
3	1441627	Power Module Fixing Kit 35cm W (Not Shown)		1
4	1441628	Power Module Fixing Kit 40cm W		1
5	1441629	Power Module Fixing Kit 45cm W		1
6	1441630	Power Module Mounting Bracket (Used On All Module Types)		1

Shark Remote & Brackets

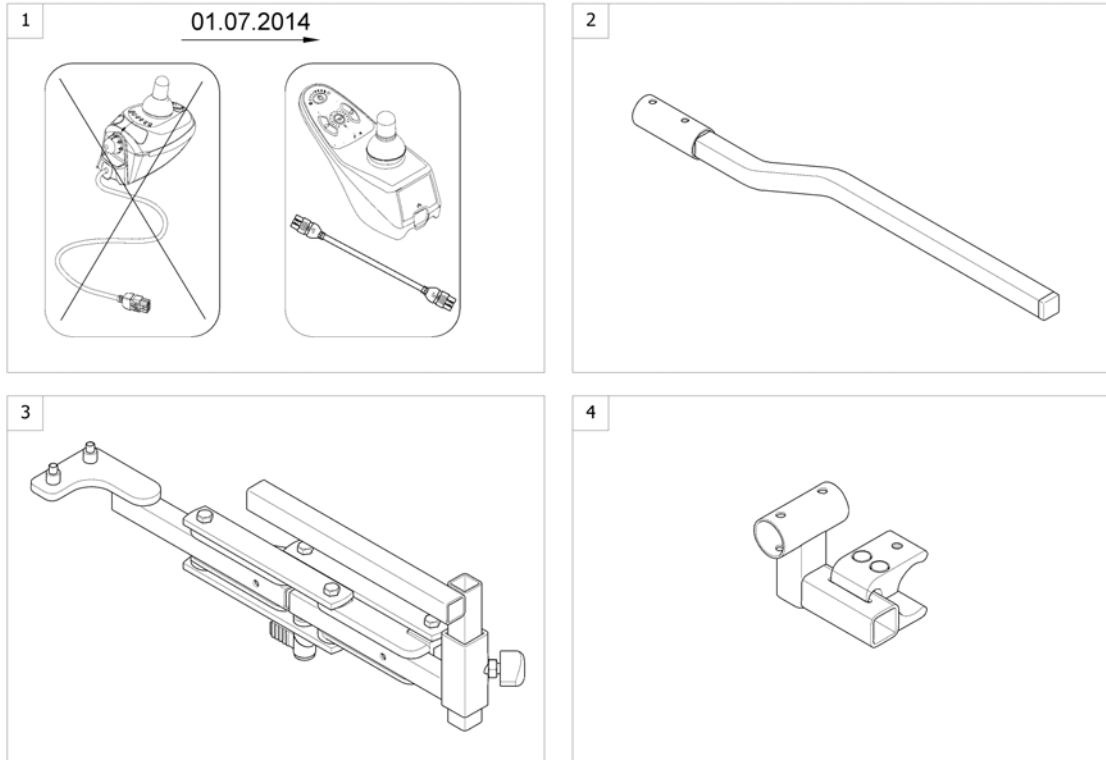
1580141.iso



Pos.	Part number	Description	Valid from → until	Qty
1	-	Remote REM A05/06 with Brackets (==> 14/06/30)		1
2	-	Remote REM D01 with Brackets (14/07/01 ==>)		1
3	-	Remote Dual Control with Bracket		1

Remote REM A05/06 with Brackets (==> 14/06/30)

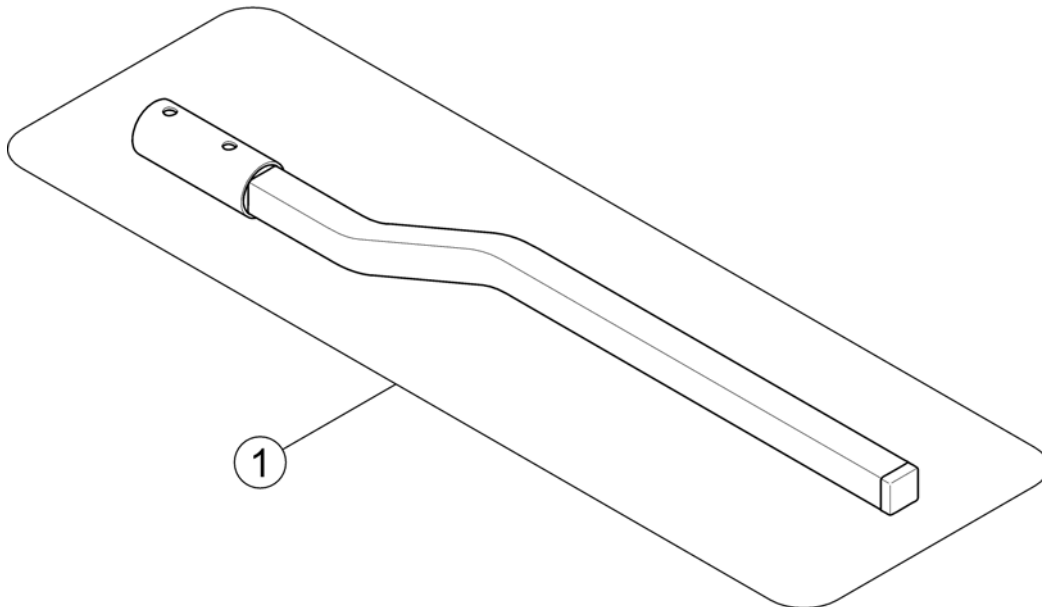
1580143.iso



Pos.	Part number	Description	Valid from → until	Qty
1	SP1579899	Remote RemD01 with BUS cable 1.0m (replacement kit for REM A05)	2014-07-01 →	1
1	SP1579900	Remote RemD01 with BUS cable 1.5m (replacement kit for REM A06)	2014-07-01 →	1
2	-	Remote Bracket Standard		1
3	-	Remote Bracket Swing Away		1
4	-	Remote Bracket Attendant		1

Remote Bracket Standard

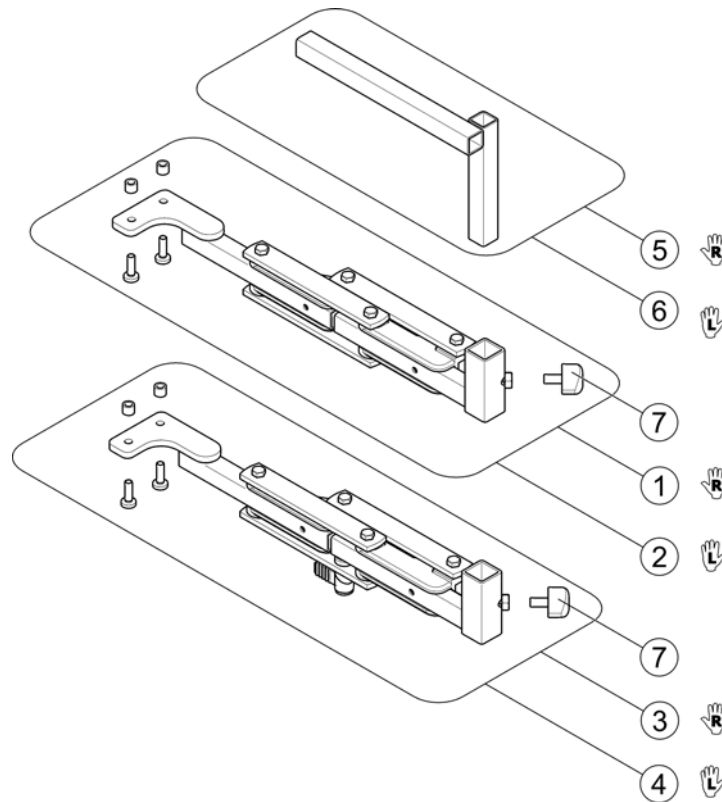
1441631.iso



Pos.	Part number	Description	Valid from → until	Qty
1	1441631	J/Stick Mtg Arm (Fixed)		1

Remote Bracket Swing Away

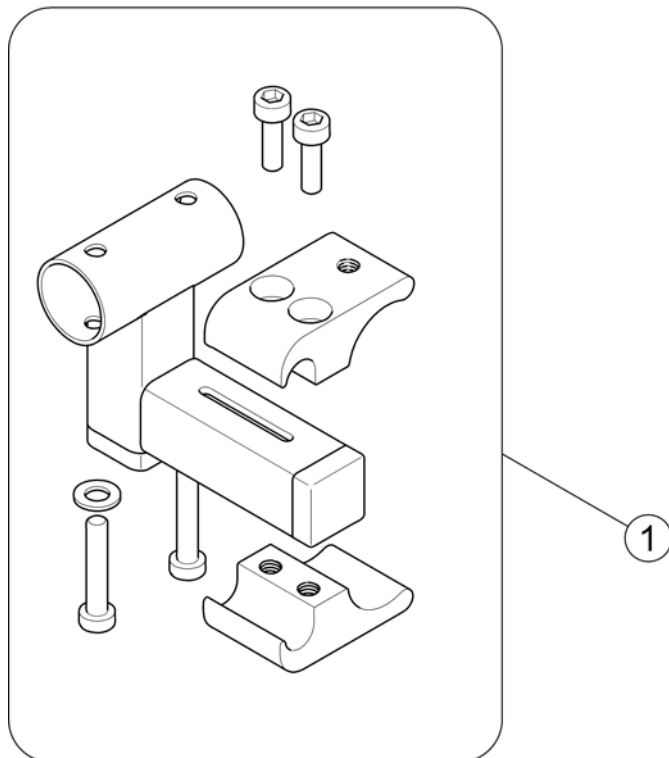
1580175 iso



Pos.	Part number	Description	Valid from → until	Qty
1	SP1441636	Swingaway Assembly, cpl. - RH		1
2	SP1441637	Swingaway Assembly, cpl. - LH		1
3	SP1436666	Swing Away Joystick Mounting Arm Complete With Lock, RH		1
4	SP1436667	Swing Away Joystick Mounting Arm Complete With Lock, LH		1
5	SP1433312-0216	Mounting Bracket for Swing Away - RH		1
6	SP1436867-0216	Mounting Bracket for Swing Away - LH		1
7	L10024	Wing knobs M6x16		1

Remote Bracket Attendant

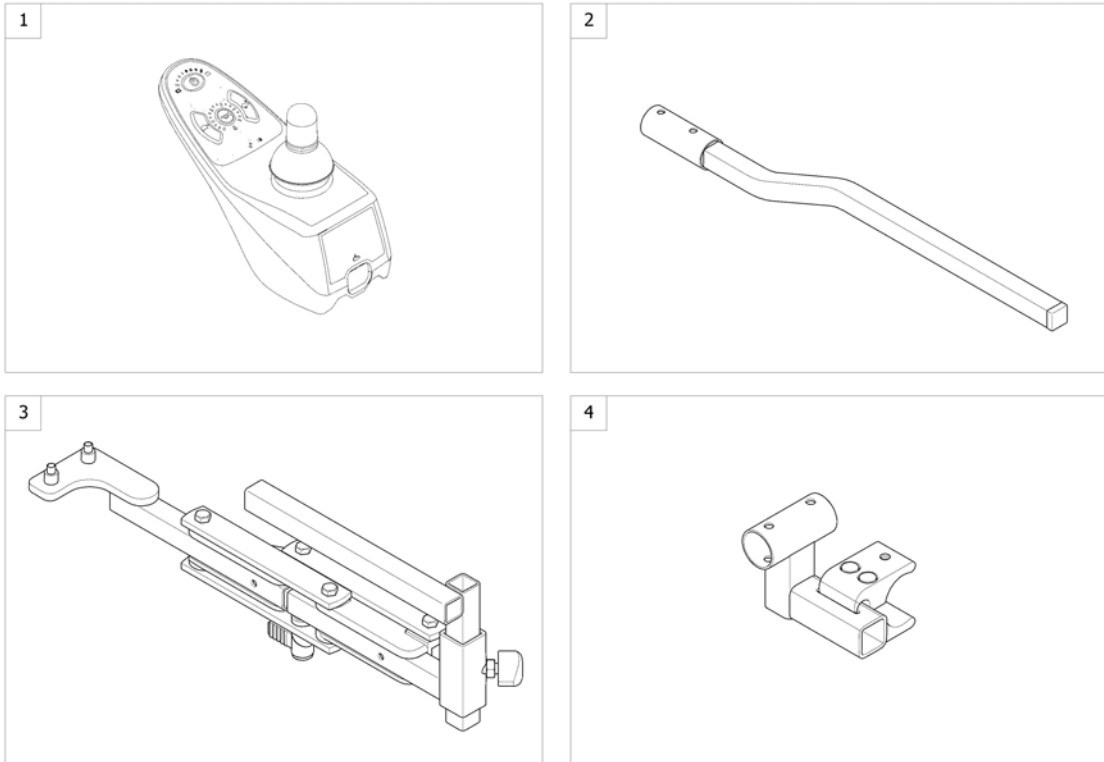
1580176 iso



Pos.	Part number	Description	Valid from → until	Qty
1	1436879	Attendant Control Complete Kit		1

Remote REM D01 with Brackets (14/07/01 ==>)

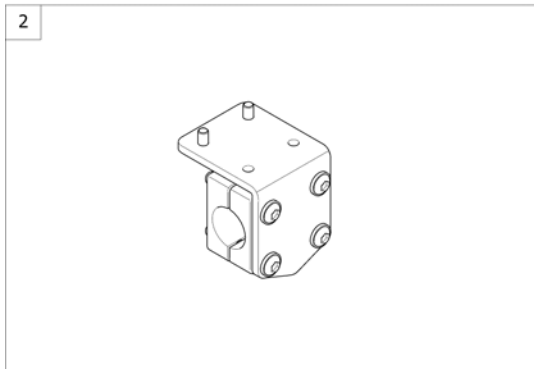
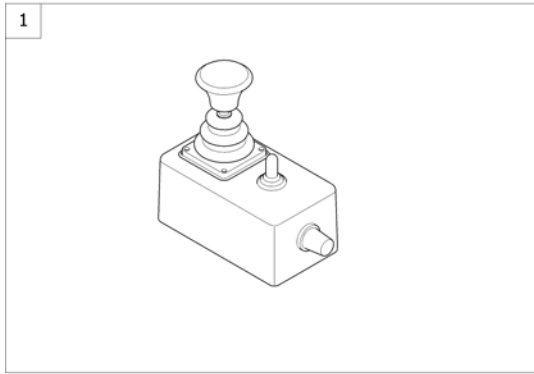
1580144.iso



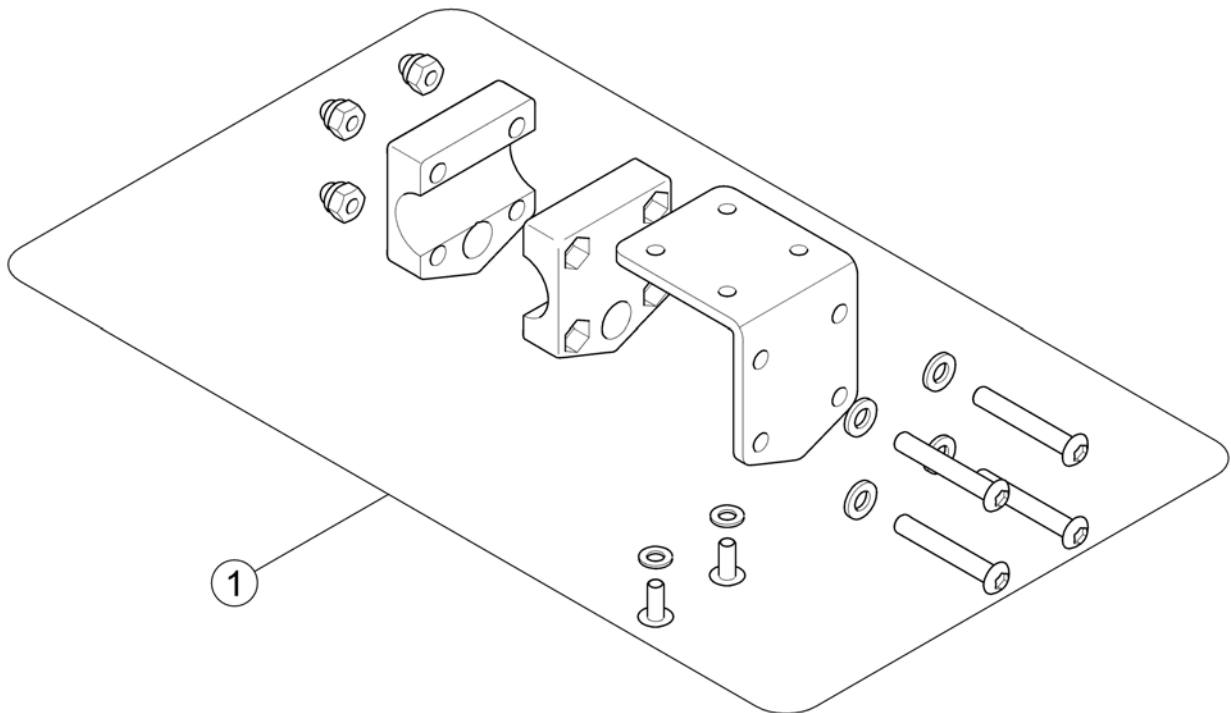
Pos.	Part number	Description	Valid from → until	Qty
1	1492567	Remote DK-REM D01, Shark2 (Drive only)		1
2	-	Remote Bracket Standard		1
3	-	Remote Bracket Swing Away		1
4	-	Remote Bracket Attendant		1
-	SP1580395	Attendant Control Kit (DK-REM D01 & BUS cable 1.5m & bracket)		1

Remote Dual Control with Bracket

1580145.iso



Pos.	Part number	Description	Valid from → until	Qty
1	1444717	Shark Dual Control, switchable		1
2	-	Remote Bracket		1
-	SP1541664	Upgrade-kit for dual control	→ 2010-05-09	1
-	SP1541665	Upgrade-kit for dual control	2010-05-10 →	1

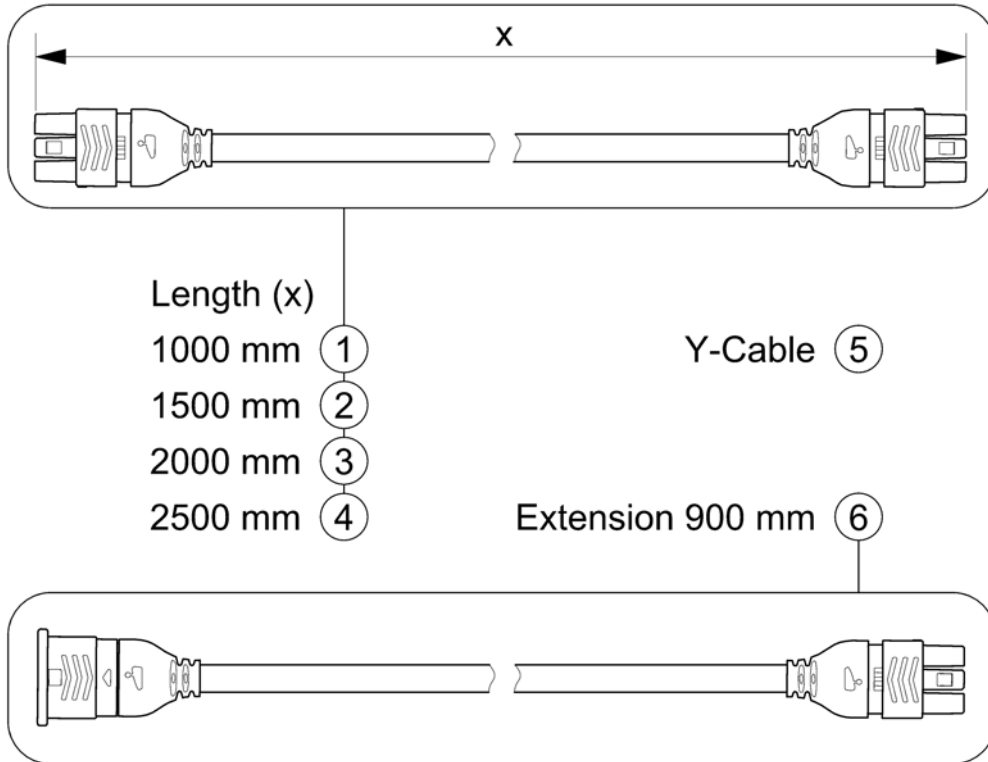


Pos.	Part number	Description	Valid from → until	Qty
1	1544056	Remote Bracket for Dual Control Shark		1

Shark Cables & Accessories

Pos.	Part number	Description	Valid from → until	Qty
-		Bus-Cables Shark		0
-		Cables Shark		0
-		Programming Kits		0

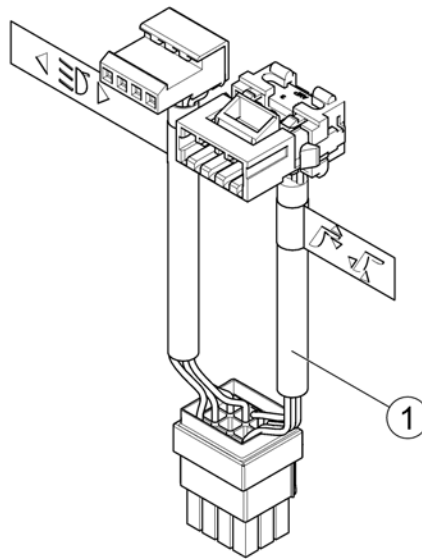
SHARKBUSKABEL.00



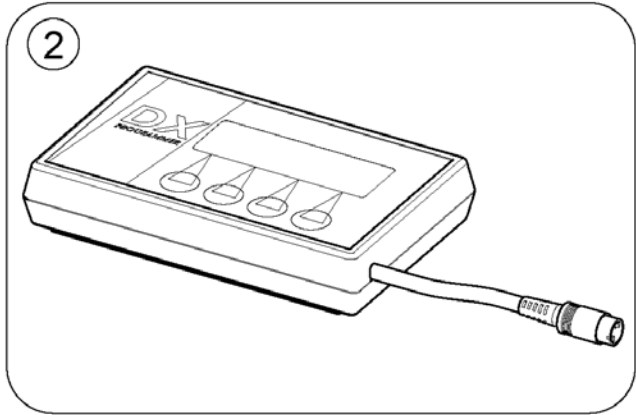
Pos.	Part number	Description	Valid from → until	Qty
1	1448922	Bus Cable Shark 1000mm		1
2	1450313	Buscable Shark 1500mm		1
3	1484911	Buscable Shark 2000mm		1
4	SP1510073	Buscable Shark 2500mm		1
5	1450314	Y-Cable		1
6	1116404	Extension Cable Shark 900mm		1

Cables Shark

1583705 Rev



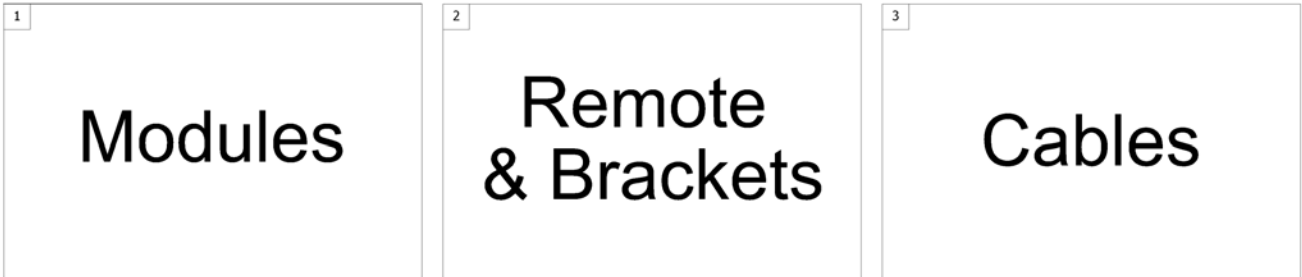
Pos.	Part number	Description	Valid from → until	Qty
1	1488951	Wire Harness Shark - electrical adjustments & light		1



Pos.	Part number	Description	Valid from → until	Qty
1	1449280	USW wizard dongle kit, EDL-USW, cpl.		1
2	6001450	Hand Programmer, Instrucions In French, German, Spanish		1
	SP1441551	Programming Adapter Shark DK-ADAPT (necessary to program Shark)		1

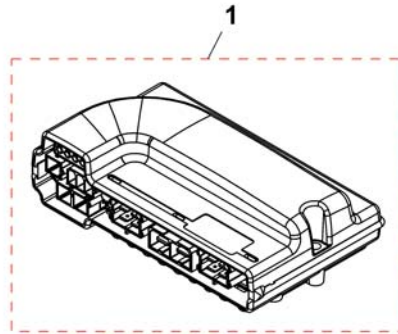
VR2 Electronic

1559902.no



Pos.	Part number	Description	Valid from → until	Qty
1	-	Powermodule VR2		1
2	-	Remote & Brackets VR2		1
3	-	Cable VR2		1

1504056.dwg



Pos.	Part number	Description	Valid from → until	Qty
1	SP1504056	Powermodule, VR2, 60A, only drive, VR2 60		1

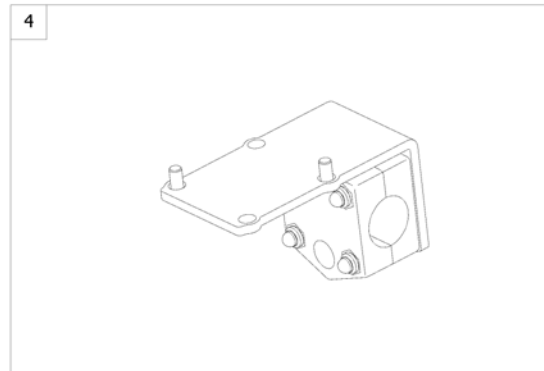
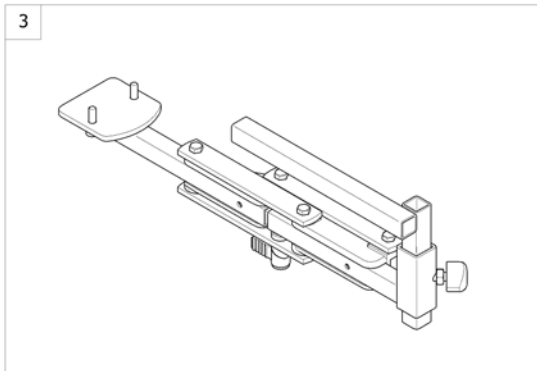
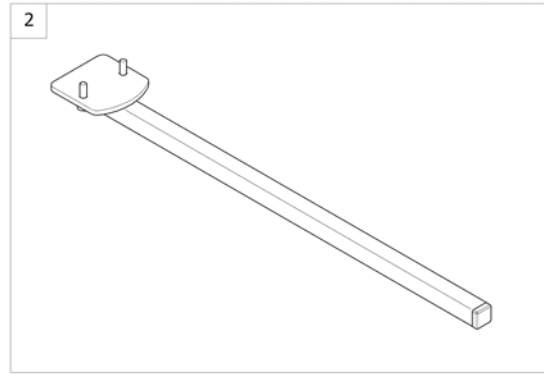
Remote & Brackets VR2

1561182 80



Pos.	Part number	Description	Valid from → until	Qty
1	-	Remote VR2 with Brackets		1
2	-	Remote Dual Control with Brackets		1

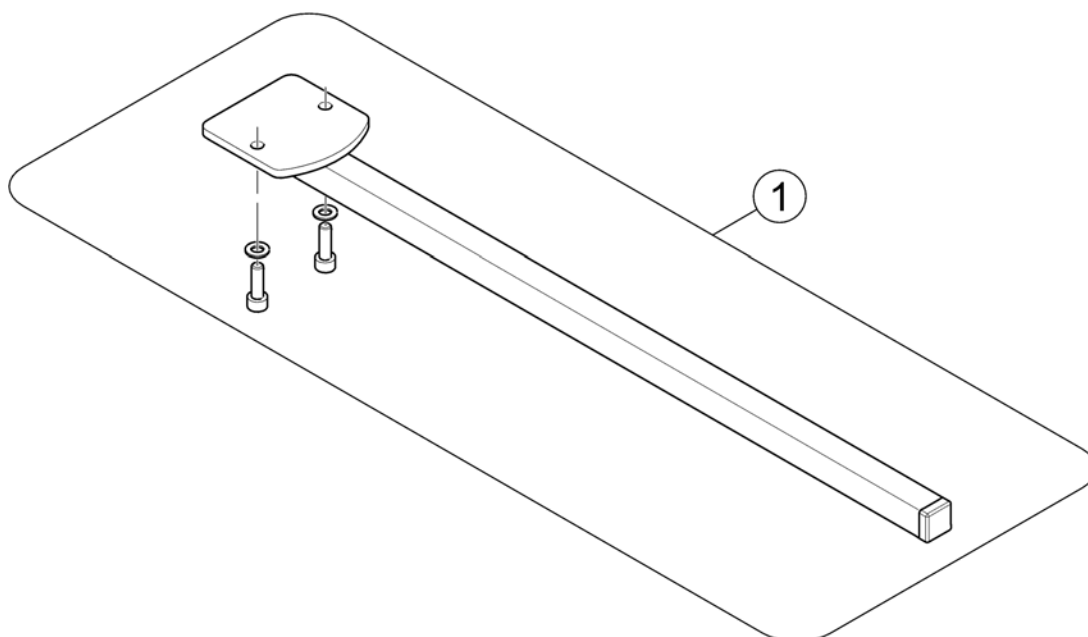
1580137.iso



Pos.	Part number	Description	Valid from → until	Qty
1	SP1504057	VR2 Remote (Drive only)		1
2	-	Remote Bracket Standard [1207/1208]		1
3	-	Remoteholder swing-away VR2		1
4	-	Bracket for Dual- & Attendentcontrol VR2		1

Remote Bracket Standard

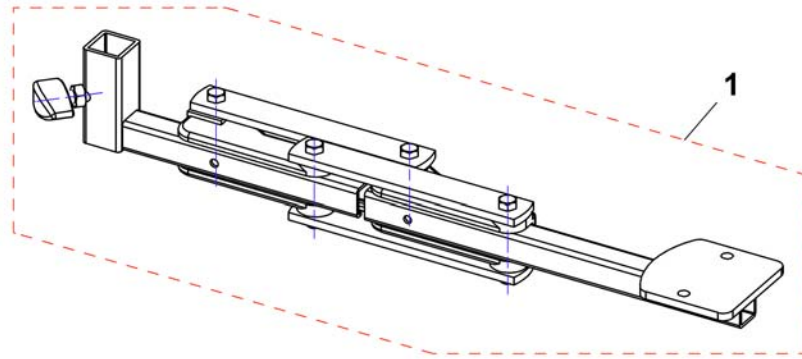
1560571.iso



Pos.	Part number	Description	Valid from → until	Qty
1	SP1527190	Remote Bracket		1

Remoteholder swing-away VR2

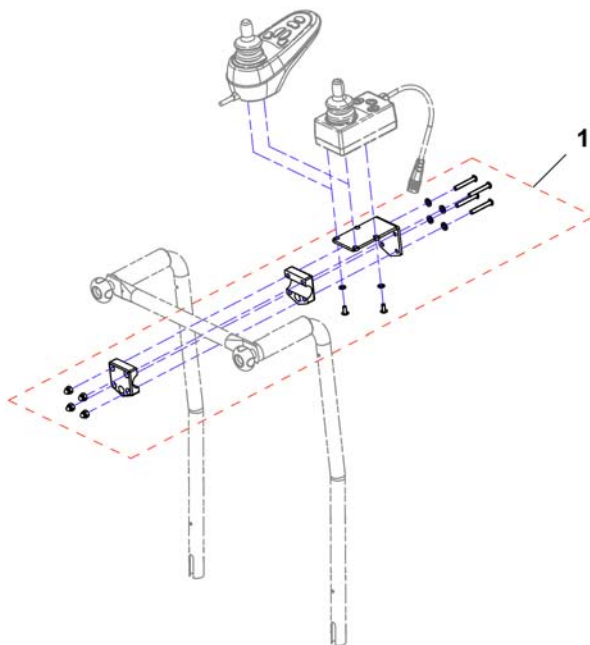
1513658X.dwg



Pos.	Part number	Description	Valid from → until	Qty
1	SP1513568	VR2 Remote Bracket swing away LH		1
1	SP1513567	VR2 Remote Bracket swing away RH		1
1	SP1522404	VR2 Remote Bracket swing away LH, with Lock		1
1	SP1522403	VR2 Remote Bracket swing away RH, with Lock		1

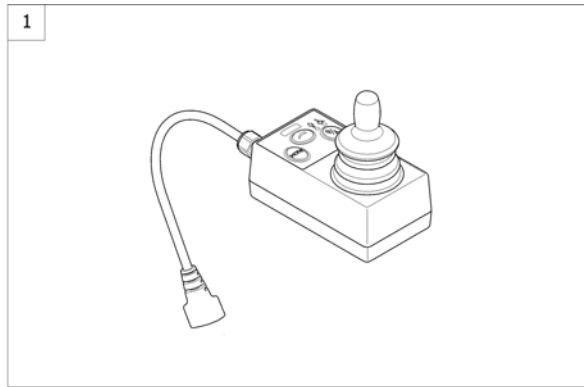
Bracket for Dual- & Attendentcontrol VR2

1544057.png

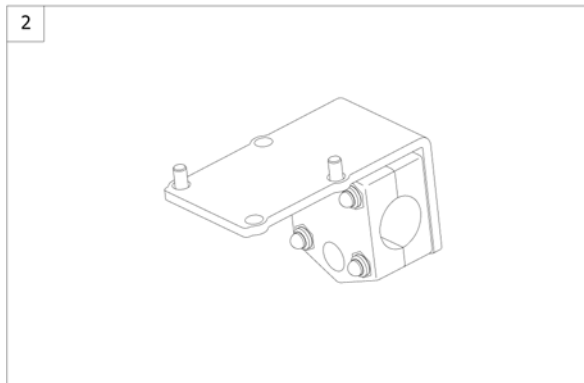


Pos.	Part number	Description	Valid from → until	Qty
1	SP1544057	Bracket for Dual- & Attendentcontrol		1

Remote Dual Control with Brackets



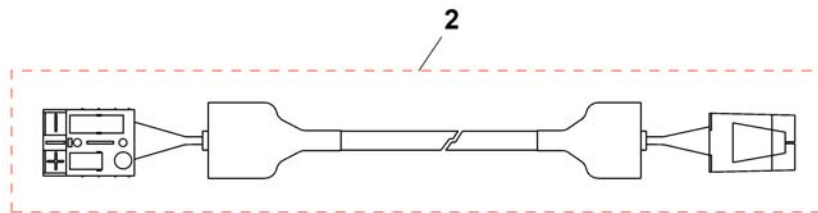
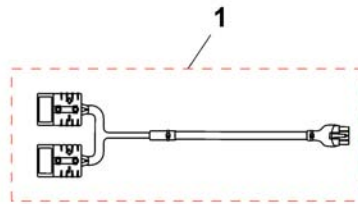
1580138 iso



Pos.	Part number	Description	Valid from → until	Qty
1	SP1531736	Remote Dual Control (incl. Y-cable)		1
2	-	Bracket for Dual- & Attendentcontrol VR2		1

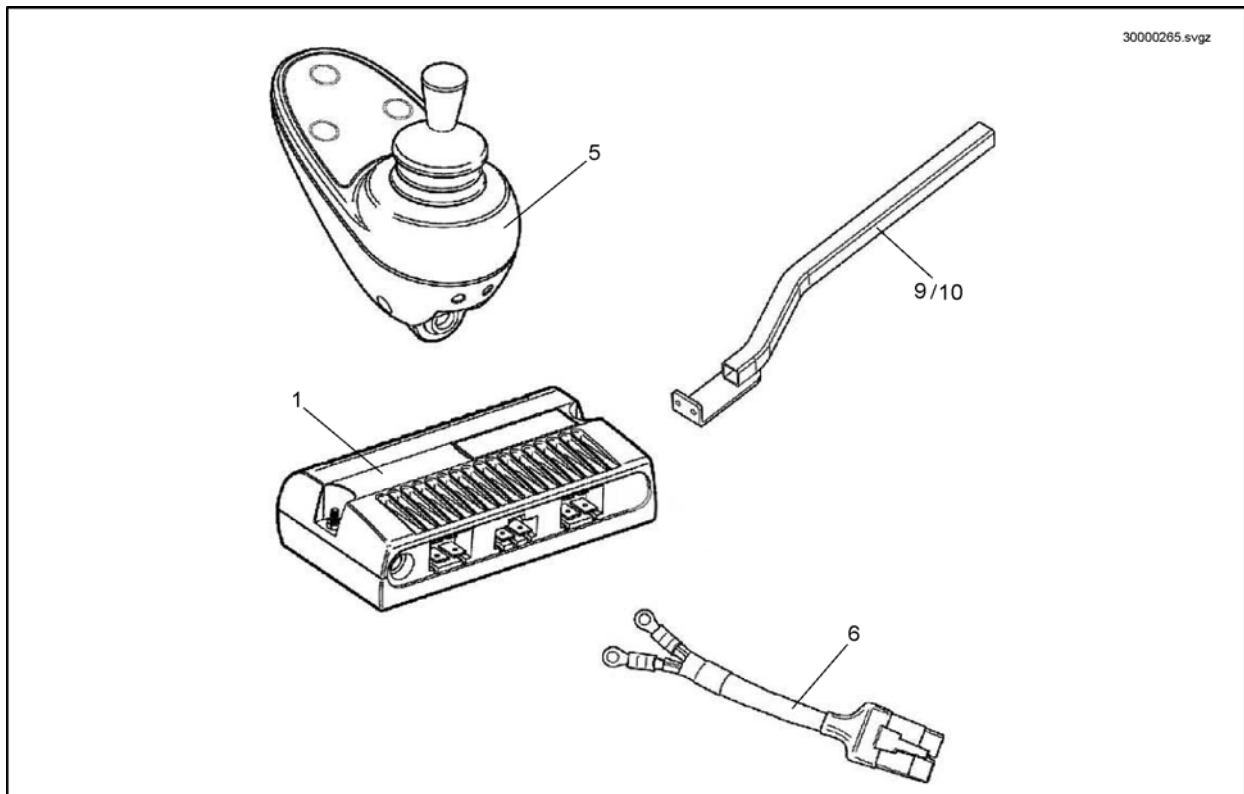
Cable VR2

1534648X.dwg



Pos.	Part number	Description	Valid from → until	Qty
1	SP1534648	Y-cable		1
2	SP1513753	Batterycable		1

Pilot Plus Control



Pos.	Part number	Description	Valid from → until	Qty
1	30000265	Powermodule, Pilot +, 50A, Pilot+ 50-xM		1
5	30000267	Pilot+ Remote (D49671)		1
6	1448943	VSI Power Cable (Terminal Covers Included)		1
9	1450719-0216	Pilot Plus Joystick Arm Right Hand		1
10	1450746-0216	Pilot Plus Joystick Arm Left Hand		1
-	1485033	Battery Lead Pilot PlusMirage		1

Batteries

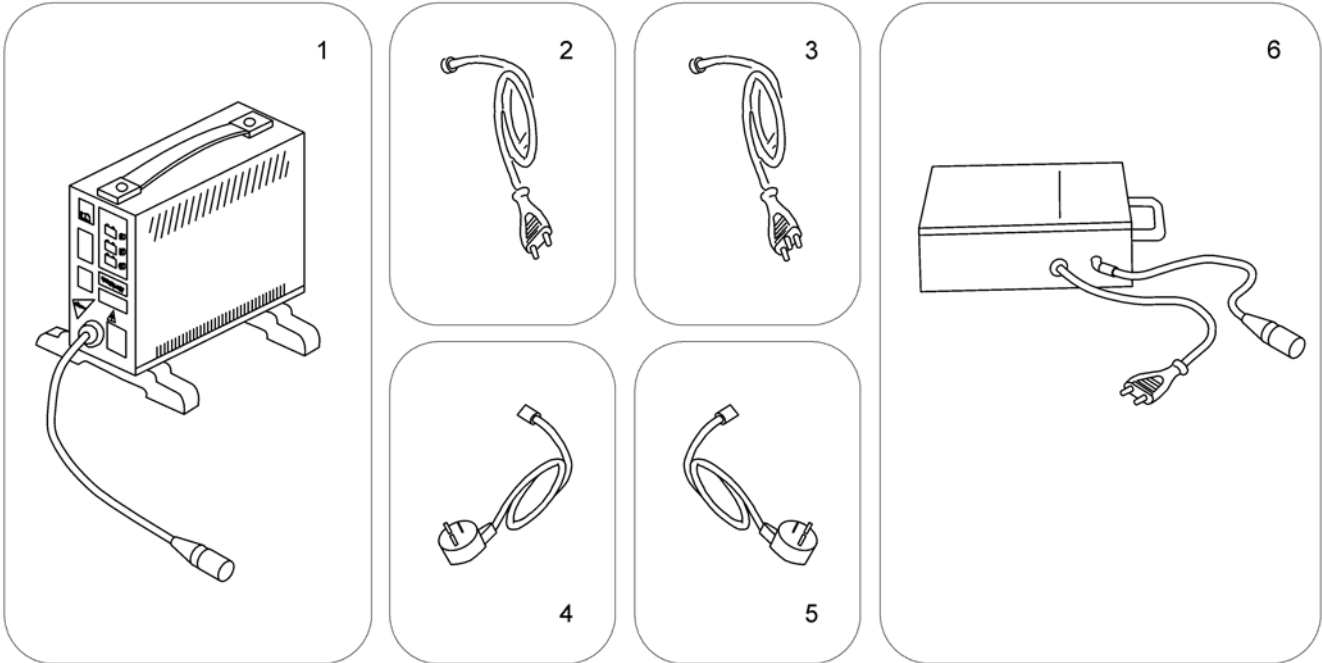
	Capacity [Ah]															
	1,2	12	30	31	32	36	38	40	40	50	50	50,9	60	73,6	75	97,6
Bora/SpectraXTR								8		10						
Dragon										10			13			
Dragon Vertic													13			
FDX													13			
G50													13	14		16
Kite													13	14		
Mirage				4				8								
Mistral3				4									12			
P9000XDT					5											
Pronto M41					5											
Pronto M61					5											
Spectra Blitz								8					12			
Spectra Comfort								7								
Spectra Plus								7								
Spectra Seat Riser								7								
Storm3										10			13	14		
Storm3 True Track	1														14	
Storm3 Vertic															14	
Storm4															14	
Storm4 Max															14	
Stream										10			13			
TDX-SP														14		
TDX-SP Narrow													12			
Tiger										10			13			
Topan													13			
Tornado								8								
Typhoon													13			
Typhoon GB	1												13			
Typhoon GB	1												13			
Zephyr	1												13			
Auriga			3					8		10						
Comet														14	15	
Leo						6			9							
Lynx		2														
Meteor														14		
Orion												11				
length [mm]	97	152	197	196	211	196	210	197	198	198	198	238	259	260	260	329
width [mm]	49	99	132	132	132	130	175	168	165	166	165	140	169	171	168	171
height [mm]	51	102	180	183	183	179	175	175	171	176	170	235	178	210	223	238
weight [kg]	0,6	3,9	11,1	10,5	11	12	14,6	14,4	14,2	14	16	17,1	19,3	24,3	26	32,5



Pos.	Part number	Description	Valid from → until	Qty
i	-	Change batteries only pairwise and from the same type!		1
1	1440386	Battery, 12V/1,2Ah C20, GEL		1
2	SP1506493	Battery 12V/12Ah AGM		1
3	P50021	Battery, 12V/30Ah C20, GEL		1
4	P50029	Battery, 12V/31Ah C20, GEL		1
5	SP1521459	Battery, 12V/34Ah C20, AGM		1
6	1505498	Battery, 12V/36Ah C20, AGM		1
7	P50028	Battery, 12V/38Ah C20, GEL (UK & DK only)		1
8	PG50988	Battery, 12V/40Ah C20, GEL		1
9	SP1550692	Battery, 12V/40Ah C20, AGM		1
10	SP1522107	Battery, 12V/50Ah C20, AGM		1
11	SP1521695	Battery, 12V/50Ah C20 AGM		1
12	PG50989	Battery, 12V/50,9Ah C20, GEL		1
13	1432944	Battery, 12V/60Ah C20, GEL		1
14	P50016	Battery, 12V/73,6 Ah C20, Gel		1
15	SP1522026	Battery, 12V/75Ah C20, AGM		1
16	1478675	Battery, 12V/97,6Ah C20, GEL		1

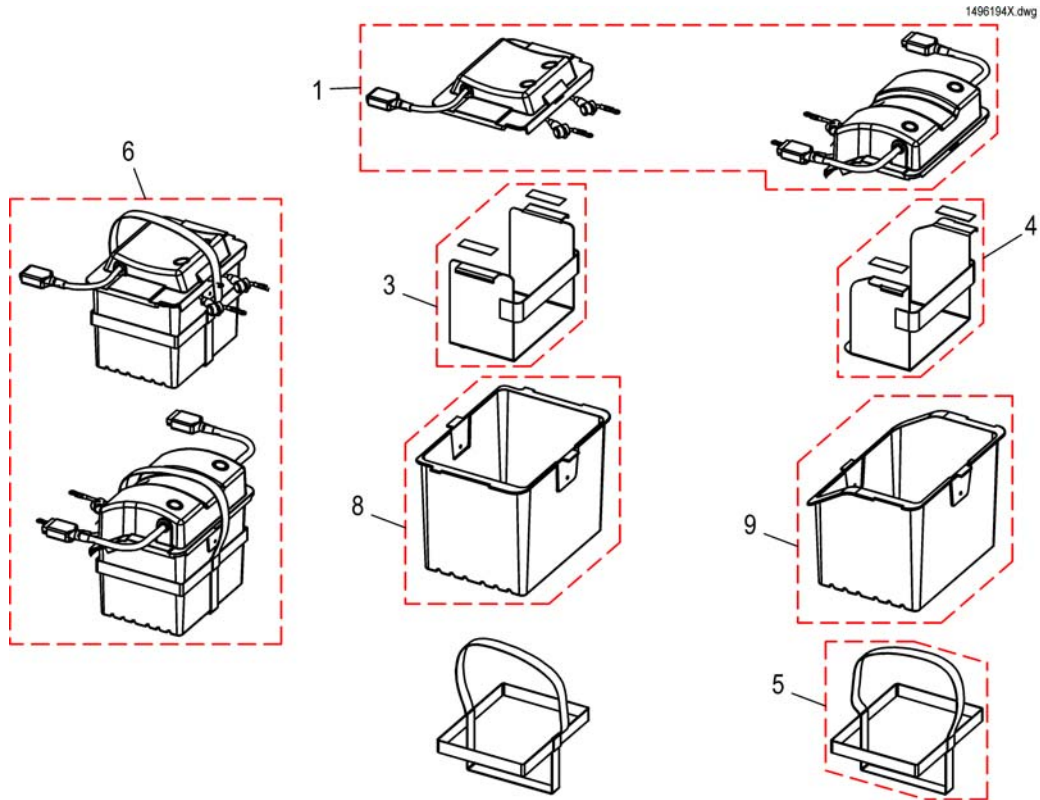
Chargers

1589799 Iso

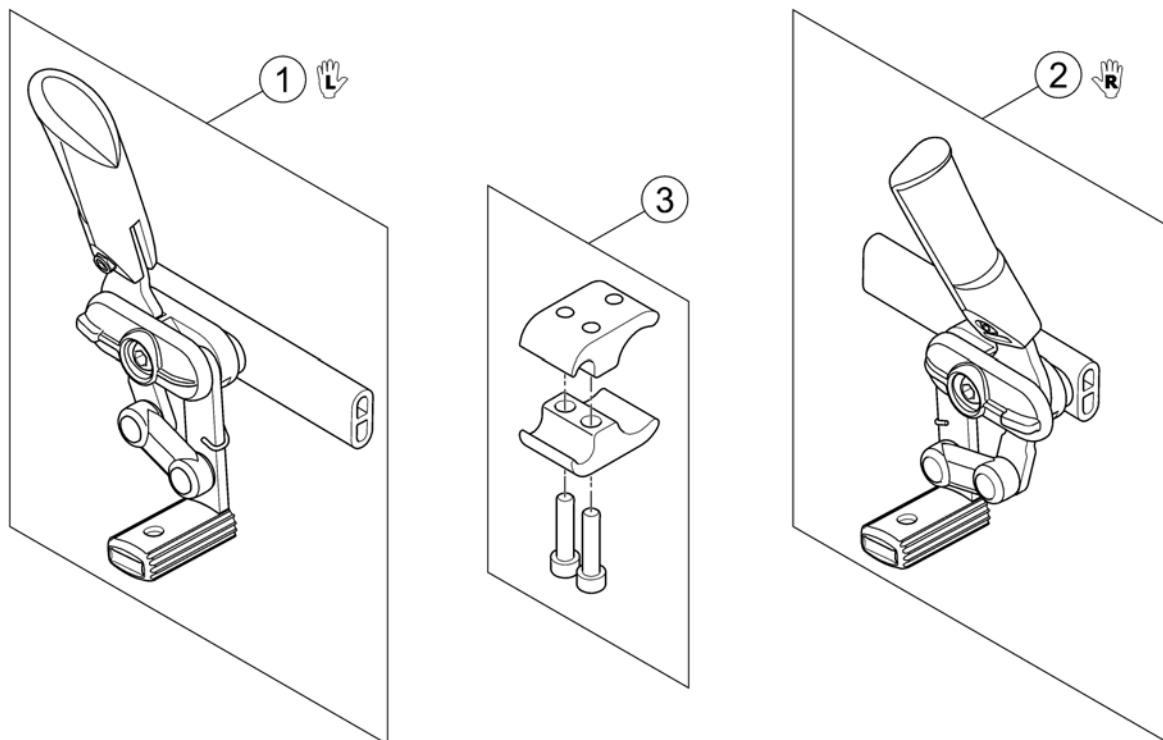


Pos.	Part number	Description	Valid from → until	Qty
1	SPP51981	Charger 8A without Power Cord <i>[1343]</i>		1
2	P21079	Power Cord Continental (Schuko GCB-0401)		1
3	P21080	Power Cord UK (GCB-0403)		1
4	1443841	Power Cord Swiss (black 6A/250V)		1
5	SP1553849	Power Cord Israel (IEC 320 C13 to SI-32)		1
6	5813987	Charger 8A (Protectionclass IP54) incl. Power Cord Continental (Sweden only) <i>[1388]</i>		1

Battery Boxes

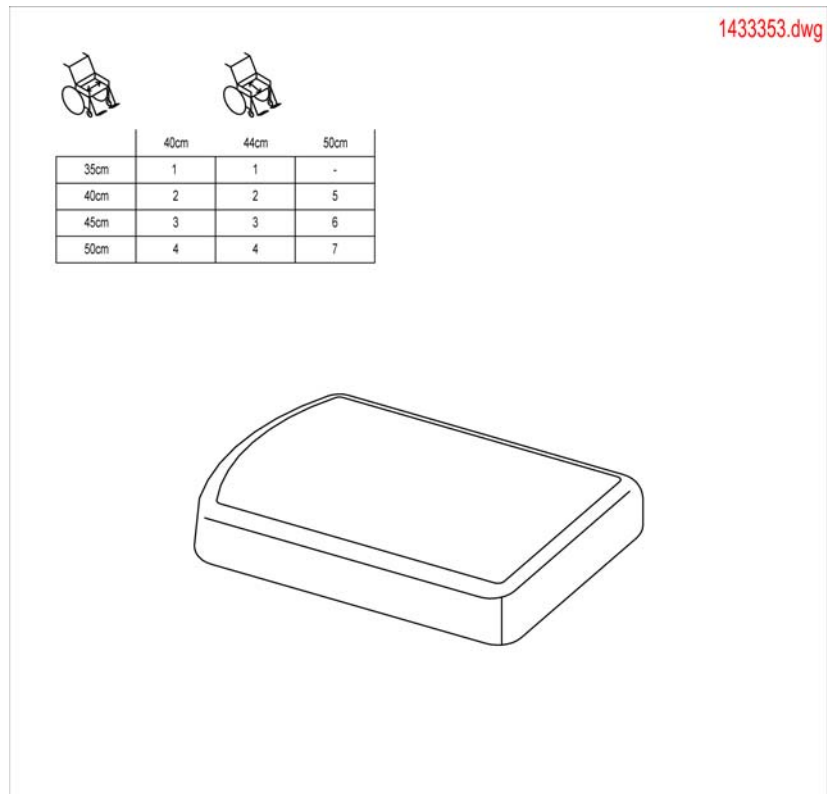


Pos.	Part number	Description	Valid from → until	Qty
1	SP1534969	Batterybox Lid Set (Rear & Front)		1
3	1436625	Insert Front Battery Box		1
4	1436627	Insert Rear Battery Box		1
5	SP1468344	Battery Box Strap		1
6	SP1534970	Batterybox Set, empty (Rear & Front)		1
8	SP1451593	Front batterybox, lower part		1
9	SP1451595	Rear batterybox, lower part		1



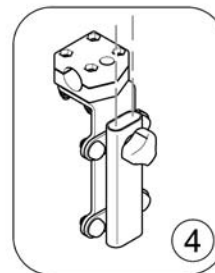
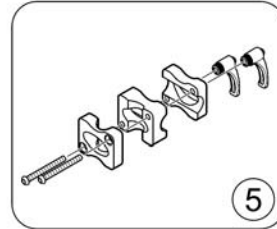
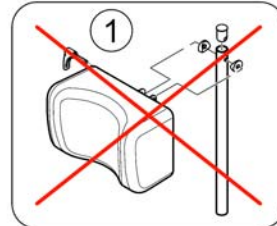
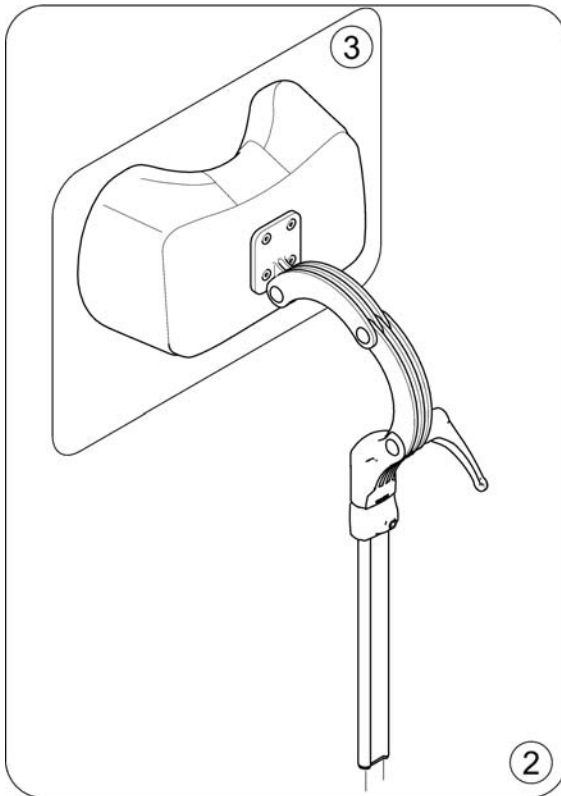
Pos.	Part number	Description	Valid from → until	Qty
1	SP1425634	Parking Brake Lever LH <i>Design change, please order a pair, if chair is build before 01.2012</i>		1
2	SP1425635	Parking Brake Lever RH <i>Design change, please order a pair, if chair is build before 01.2012</i>		1
3	SP1441640	Brake Mounting Kit (LH/RH)		1

Seat Cushion



Pos.	Part number	Description	Valid from → until	Qty
1	1433353-0207	Seat Cushion 350mm Width		1
2	1433354-0207	Seat Cushion 400mm Width		1
3	1433355-0207	Seat Cushion 450mm Width		1
4	1433356-0207	Seat Cushion 500mm Width		1
5	1509897	Seat Cushion SW 40		1
6	1509898	Seat Cushion SW 45		1
7	1509899	Seat Cushion SW 50		1

Headrest

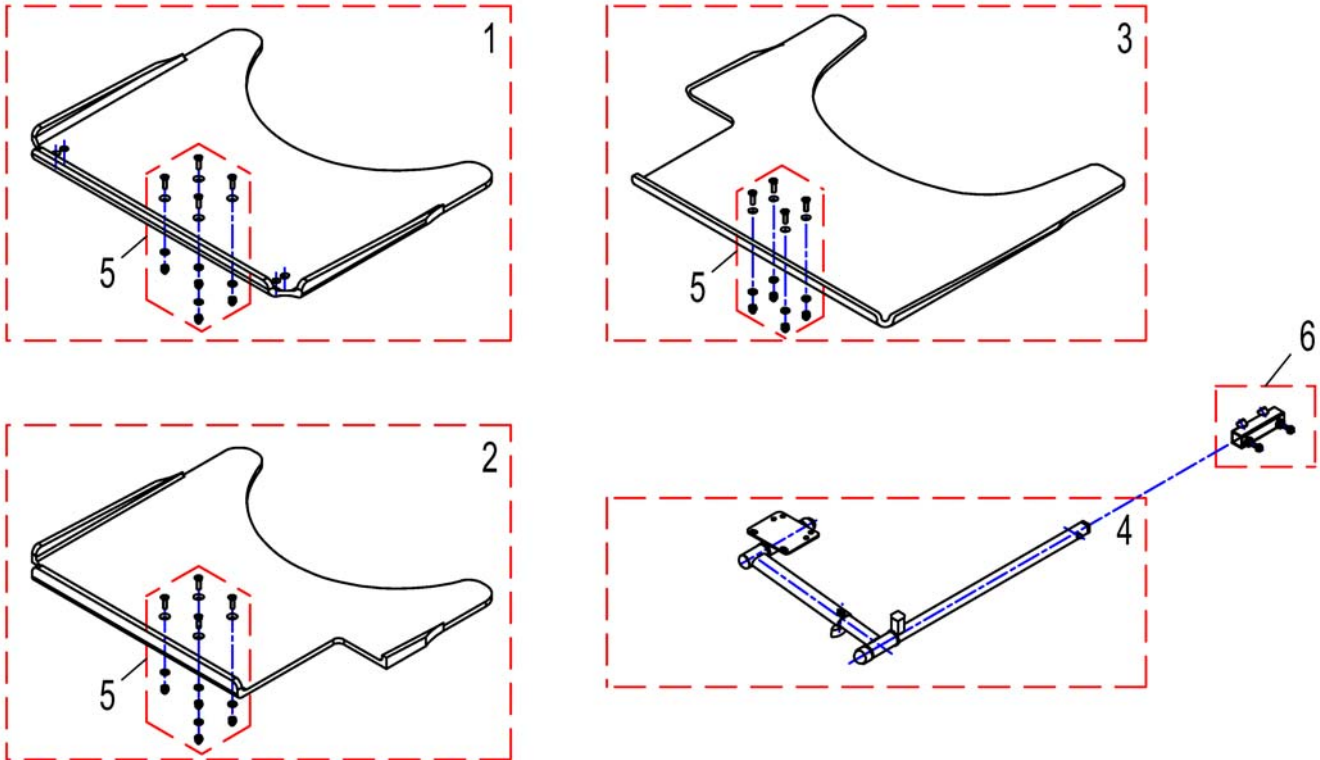


1433702 iso

Pos.	Part number	Description	Valid from → until	Qty
1	-	No longer available - please refer to Replacement Info for which part is to be used instead. <i>1440900 & SP1422914</i>	→ 2014-07-22	0
2	1440900	Headrest comfort dartex	2014-07-23 →	1
3	1440903	Headrest Pad Comfort Dartex	2014-07-23 →	1
4	SP1422914	Head-/Neckrest Bracket, cpl.	2014-07-23 →	1
5	1432617	Headrest Support Kit	→ 2014-07-22	1

Tray Tables

1436887/dwg



Pos.	Part number	Description	Valid from → until	Qty
1	SP1535050	Tray table, 540mm, no Cutout		1
1	SP1535010	Tray table, 620mm, no Cutout		1
1	SP1535011	Tray table, 660mm, no Cutout		1
2	SP1535009	Tray table, 540mm, Cutout LH		1
2	SP1534974	Tray table, 620mm, Cutout LH		1
2	SP1534975	Tray table, 660mm, Cutout LH		1
3	SP1535051	Tray table, 540mm, Cutout RH		1
3	SP1535012	Tray table, 620mm, Cutout RH		1
3	SP1535049	Tray table, 660mm, Cutout RH		1
4	SPZ177011	Tray Support Fixing Kit cpl.SW 380/505 mm		1
5	Z177025	Fastening-Kit Tray		1
6	SP1534364	Adaptertube		1

Tray tables, cpl.

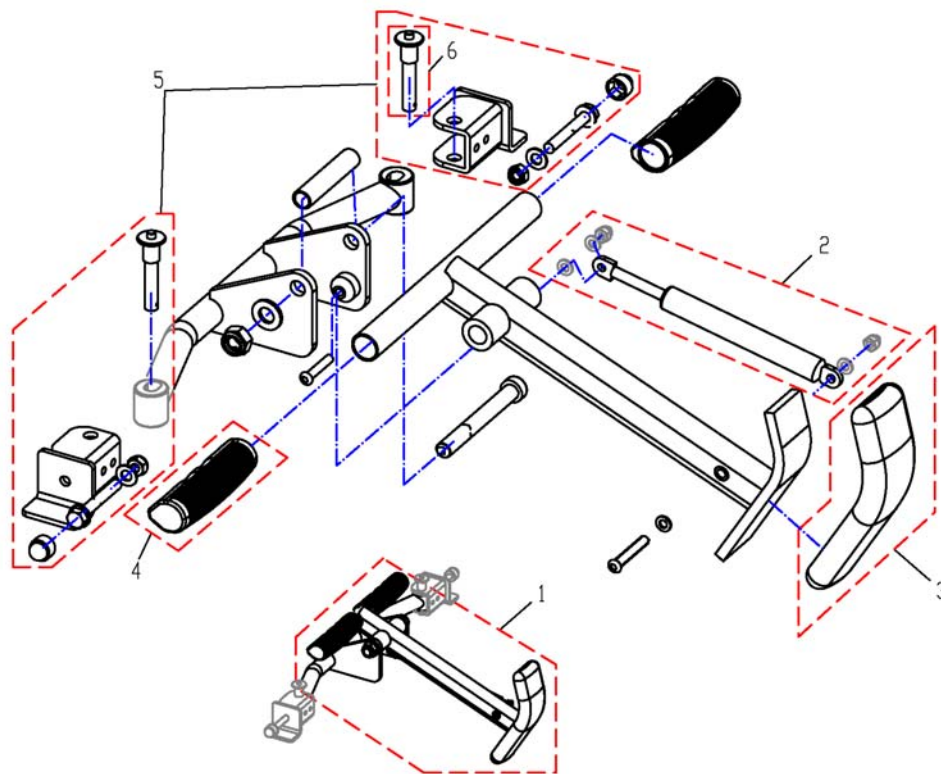
1541582X.dwg

	cutout RH	cutout LH	without cutout
35 + 40 cm	1	2	3
45 cm	4	5	6
50 cm	7	8	9

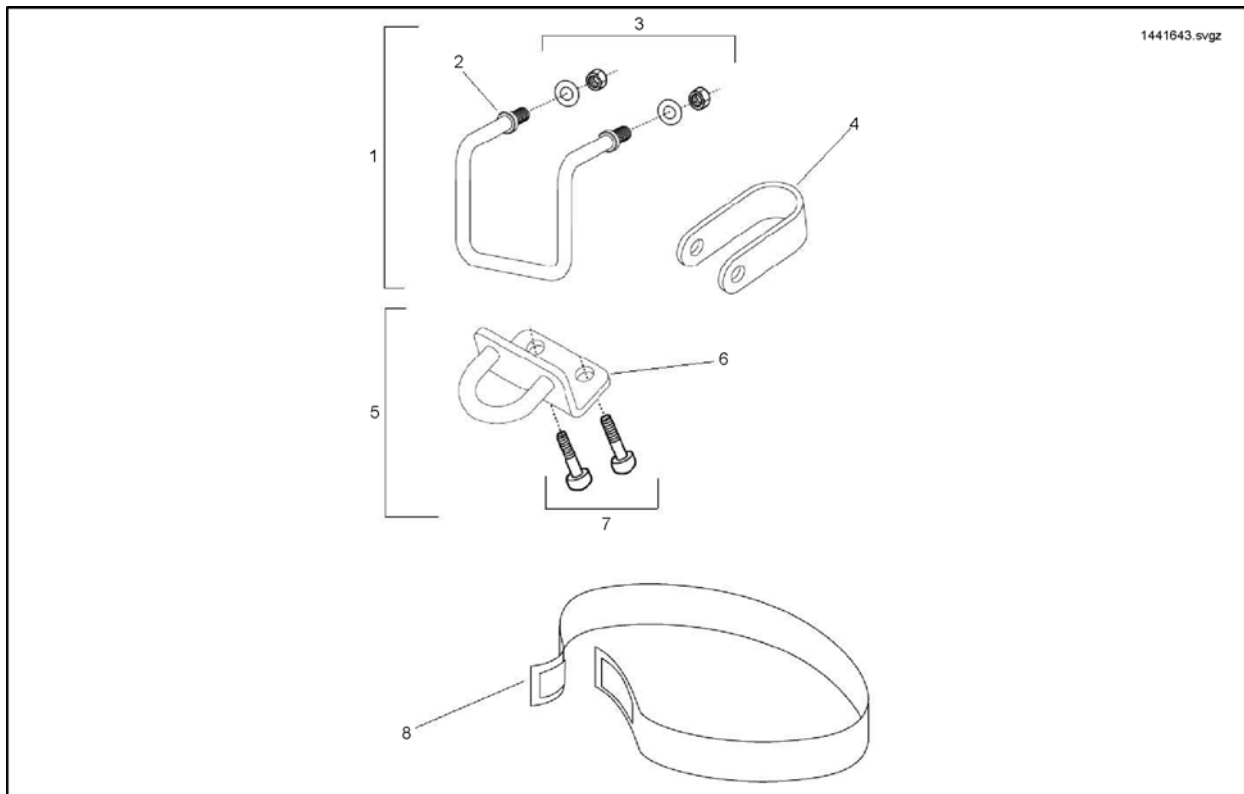
Pos.	Part number	Description	Valid from → until	Qty
1	SP1541583	Tray table, cutout right, cpl. (540mm)		1
2	SP1541582	Tray table, cutout left, cpl. (540mm)		1
3	SP1541588	Tray table, without cutout, cpl. (540mm)		1
4	SP1541585	Tray table, cutout right, cpl. (620mm)		1
5	SP1541584	Tray table, cutout left, cpl. (620mm)		1
6	SP1541589	Tray table, without cutout, cpl. (620mm)		1
7	SP1541587	Tray table, cutout right, cpl. (660mm)		1
8	SP1541586	Tray table, cutout left, cpl. (660mm)		1
9	SP1541590	Tray table, without cutout, cpl. (660mm)		1

Kerbrider

1436880.dwg



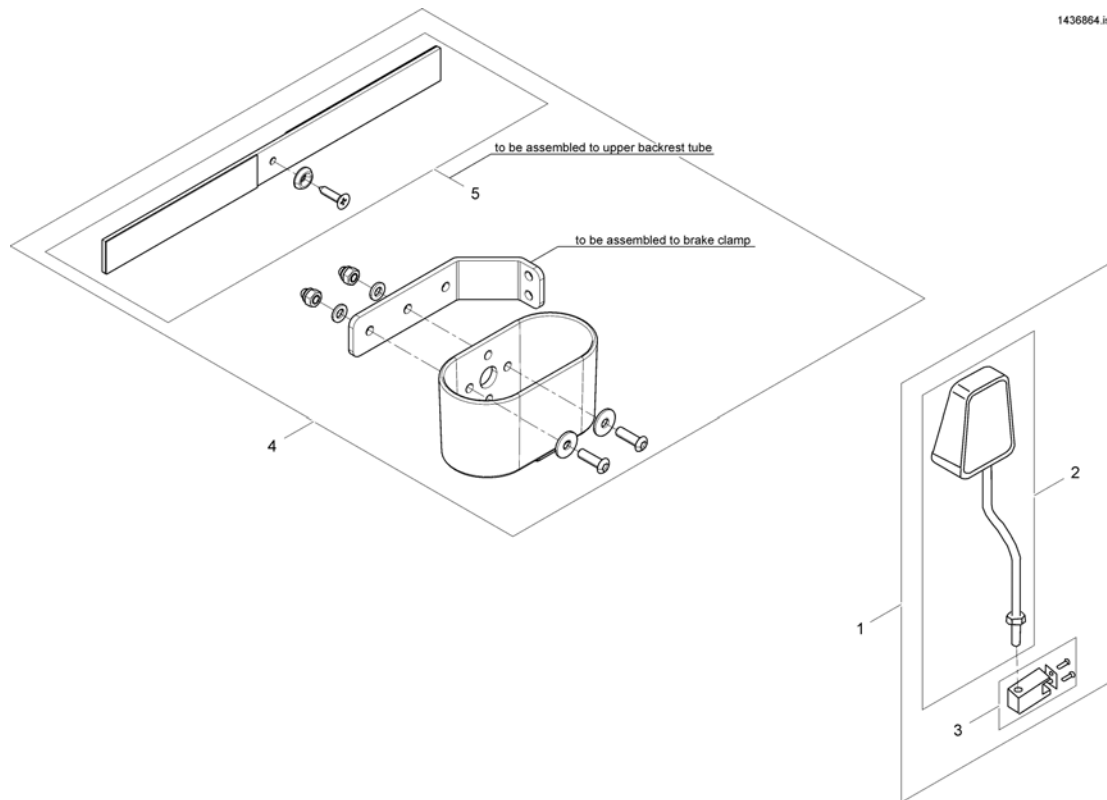
Pos.	Part number	Description	Valid from → until	Qty
1	SP1511427	Kerbrider Sw40		1
1	SP1511419	Kerbrider Sw45		1
1	SP1511339	Kerbrider Sw50		1
2	N10499	Gas Spring		1
3	B11037B	Rubber Foot		1
4	1435421	Handle plastic black Ø22 "Invacare"		1
5	SP1433350	Kerb Rider Bracket <i>This part is standard in UK since January 2008</i>		1
6	F368016.99	Locking Bolt - Quick Release		1



Pos.	Part number	Description	Valid from → until	Qty
1	1441643	Taxi Clamp Complete		1
2	1436623-0001	Taxi Clamp		1
3	1441644	Taxi Clamp Fixation Kit		1
4	1433359-0216	Rear Tie-Down Clamp		1
5	1436883	Front Tie-Down Clamp Complete Kit (RH And LH)		1
6	1433398-0216	Front Tie-Down Clamp		1
7	1441646	Front Tie-Down Fixation Kit		1
8	1441647	Battery Transportation Strap Kit (X2)		1

Crutch Holder / Mirror

1436884.iso



Pos.	Part number	Description	Valid from → until	Qty
1	1436884	Mirror Complete Kit		1
2	N90080	Mirror Unit Only		1
3	1441649	Mirror Fixing Clamp Kit		1
4	1444914	Crutch / Cane Holder Complete Kit (Type 2 Fitting)		1
5	SP5009551	Belt for Caneholder		1



Yes, you can.®



Belgium & Luxemburg:

Invacare nv, Autobaan 22, B-8210 Loppem
Tel: (32) (0)50 83 10 10, Fax: (32) (0)50 83 10 11
belgium@invacare.com / www.invacare.be

Denmark:

Invacare A/S, Sdr. Ringvej 37, DK-2605 Brøndby
Tel: (45) (0)36 90 00 00, Fax: (45) (0)36 90 00 01
denmark@invacare.com / www.invacare.dk

Deutschland:

Invacare Aquatec GmbH, Alemannenstraße 10, D-88316 Isny
Tel: (49) (0)75 62 7 00 0, Fax: (49) (0)75 62 7 00 66
info@invacare-aquatec.com / www.invacare-aquatec.de

European Distributor Organisation:

Invacare, Kleiststraße 49, D-32457 Porta Westfalica
Tel: (49) (0)57 31 754 540, Fax: (49) (0)57 31 754 541
edo@invacare.com / www.invacare.eu.com

España:

Invacare SA, c/Areny s/n, Polígon Industrial de Celrà, E-17460 Celrà (Girona)
Tel: (34) (0)972 49 32 00, Fax: (34) (0)972 49 32 20
contactsp@invacare.com / www.invacare.es

France:

Invacare Poirier SAS, Route de St Roch, F-37230 Fondettes
Tel: (33) (0)2 47 62 64 66, Fax: (33) (0)2 47 42 12 24
contactfr@invacare.com / www.invacare.fr

Ireland:

Invacare Ireland Ltd, Unit 5 Seatown Business Campus, Seatown Road, Swords, County Dublin - Ireland
Tel: (353) 1 810 7084, Fax: (353) 1 810 7085
ireland@invacare.com / www.invacare.ie

Italia:

Invacare Mecc San s.r.l., Via dei Pini 62, I-36016 Thiene (VI)
Tel: (39) 0445 38 00 59, Fax: (39) 0445 38 00 34
italia@invacare.com / www.invacare.it

Nederland:

Invacare BV, Celsiusstraat 46, NL-6716 BZ Ede
Tel: (31) (0)318 695 757, Fax: (31) (0)318 695 758
nederland@invacare.com, csede@invacare.com / www.invacare.nl

Norge:

Invacare AS, Grensesvingen 9, Postboks 6230, Etterstad, N-0603 Oslo
Tel: (47) (0)22 57 95 00, Fax: (47) (0)22 57 95 01
norway@invacare.com, island@invacare.com / www.invacare.no

Österreich:

Invacare Austria GmbH, Herzog Odilostrasse 101, A-5310 Mondsee
Tel: (43) 6232 5535 0, Fax: (43) 6232 5535 4
info-austria@invacare.com / www.invacare.at

Portugal:

Invacare Lda, Rua Estrada Velha, 949, P-4465-784 Leça do Balio
Tel: (351) (0)225 1059 46/47, Fax: (351) (0)225 1057 39
portugal@invacare.com / www.invacare.pt

Sverige & Suomi:

Invacare AB, Fagerstagatan 9, S-163 91 Spånga
Tel: (46) (0)8 761 70 90, Fax: (46) (0)8 761 81 08
sweden@invacare.com, finland@invacare.com / www.invacare.se

Switzerland:

Invacare AG, Benkenstrasse 260, CH-4108 Witterswil
Tel: (41) (0)61 487 70 80, Fax: (41) (0)61 487 70 81
switzerland@invacare.com / www.invacare.ch

United Kingdom:

Invacare Limited, Pencoed Technology Park, Pencoed, Bridgend CF35 5AQ
Switchboard Tel: (44) (0)1656 776200, Fax: (44) (0)1656 776201
Customer services Tel: (44) (0)1656 776222, Fax: (44) (0)1656 776220
uk@invacare.com / www.invacare.co.uk