

# *Spare Parts Catalogue*

---

Version: 2011/02/25a EN



**DOLOMITE® MAXI+**



**Yes, you can.®**

## **General Information**

*For any order of spare parts the following information is required:*

- Product type*
- Product name & model*
- Serial Number*
- Part-Number*
- Part-Description*

*Exploded view drawings and code numbers are not contractual and subject to modification, in relation to Invacare® continuous product improvement policy to meet end users needs.*

*The reproduction or use of this work, or of any substantial part of this work, in any form or by any electronic, mechanical or other means, including photocopying, scanning and recording, and in any information storage and retrieval system, including electronic transmission, is forbidden without the prior written permission of Invacare® International Sarl.*



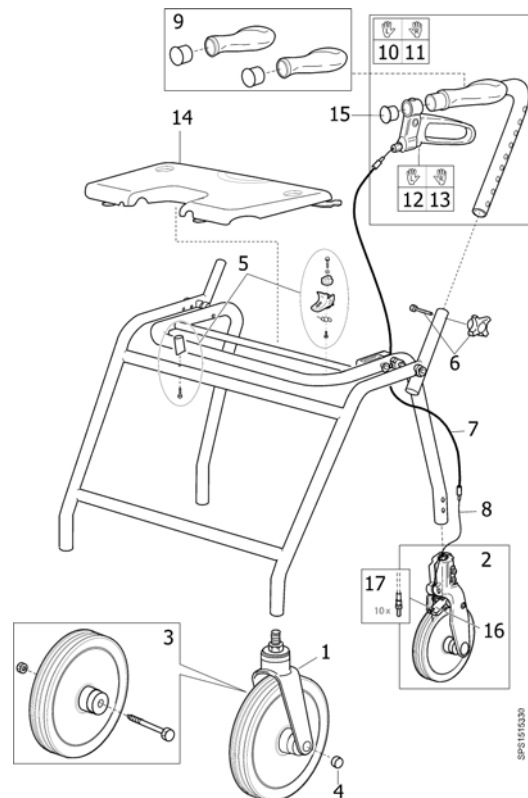
**Yes, you can.®**

## **TABLE OF CONTENTS**

---

Spare parts .....	5
Accessories .....	6





SPS1515330

Pos.	Part number	Description	Valid from → until	Qty
	82249	User manual other languages		1
	82248	User manual Nordic languages		1
1	13565-25-V01	Front fork complete with SL II wheel grey		1
2	12590-25	Rear fork complete with SL II wheel grey		1
3	12609	SL II wheel complete with locking nut		1
4	1452282	Cover 20 pcs		1
5	1452464	Distance and folding lock kit 5 pcs <i>Replaces 12707-M and 12708-M</i>		1
6	1452458	Height adjustment knob and screw 10 pcs <i>Replaces 12665-M</i>		1
7	1531587	Cover L=820 mm 10 pcs <i>MAXI+ 550 - Replaces 80002</i>		1
7	1531588	Cover L=875 mm 10 pcs <i>MAXI+ 650 - Replaces 80094</i>		1
8	1452283	Wire 10 pcs		1
9	12509	Anatomic handgrip		1
10	13238-L	HANDLE LEFT ANATOMIC WITH BRAKE		1
11	13238-R	HANDLE RIGHT ANATOMIC WITH BRAKE		1
12	13464-L	Brake handle left		1
13	13464-R	Brake handle right		1
14	12721-M	Seat kit		1
15	1529860	End cap 20 pcs		1
16	12620	Brake shoe complete		1
17	1542524	Adjustmentscrew with nut, 10 pcs		1

## Accessories



Pos.	Part number	Description	Valid from → until	Qty
1	12530-15	Basket, max load 9 kg		1
2	12606	Cane holder		1
3	70311	Tray		1
4	12560-21	Kerb climber right side		1
5	13041-21	Slow-down-brake, 2 units		1
6	12544	Wheel guard, pair		1
7	12505-L	One-hand brake left		1
7	12505-R	One-hand brake right		1
8	12651	Brake booster		1
9	12677	Soft handgrip L=220 mm, 2 units		1
10	12682-25	Oxygen holder		1
11	12510	Back support <i>Replaces 12605</i>		1





Yes, you can.®



---

**Belgium & Luxemburg:**

Invacare nv, Autobaan 22, B-8210 Loppem  
Tel: (32) (0)50 83 10 10, Fax: (32) (0)50 83 10 11  
belgium@invacare.com / www.invacare.be

**Denmark:**

Invacare A/S, Sdr. Ringvej 37, DK-2605 Brøndby  
Tel: (45) (0)36 90 00 00, Fax: (45) (0)36 90 00 01  
denmark@invacare.com / www.invacare.dk

**Deutschland:**

Invacare Aquatec GmbH, Alemannenstraße 10, D-88316 Isny  
Tel: (49) (0)75 62 7 00 0, Fax: (49) (0)75 62 7 00 66  
info@invacare-aquatec.com / www.invacare-aquatec.de

**European Distributor Organisation:**

Invacare, Kleiststraße 49, D-32457 Porta Westfalica  
Tel: (49) (0)57 31 754 540, Fax: (49) (0)57 31 754 541  
edo@invacare.com / www.invacare.eu.com

**España:**

Invacare SA, c/Areny s/n, Polígon Industrial de Celrà, E-17460 Celrà (Girona)  
Tel: (34) (0)972 49 32 00, Fax: (34) (0)972 49 32 20  
contactsp@invacare.com / www.invacare.es

**France:**

Invacare Poirier SAS, Route de St Roch, F-37230 Fondettes  
Tel: (33) (0)2 47 62 64 66, Fax: (33) (0)2 47 42 12 24  
contactfr@invacare.com / www.invacare.fr

**Ireland:**

Invacare Ireland Ltd, Unit 5 Seatown Business Campus, Seatown Road, Swords, County Dublin - Ireland  
Tel: (353) 1 810 7084, Fax: (353) 1 810 7085  
ireland@invacare.com / www.invacare.ie

**Italia:**

Invacare Mecc San s.r.l., Via dei Pini 62, I-36016 Thiene (VI)  
Tel: (39) 0445 38 00 59, Fax: (39) 0445 38 00 34  
italia@invacare.com / www.invacare.it

**Nederland:**

Invacare BV, Celsiusstraat 46, NL-6716 BZ Ede  
Tel: (31) (0)318 695 757, Fax: (31) (0)318 695 758  
nederland@invacare.com, csede@invacare.com / www.invacare.nl

**Norge:**

Invacare AS, Grensesvingen 9, Postboks 6230, Etterstad, N-0603 Oslo  
Tel: (47) (0)22 57 95 00, Fax: (47) (0)22 57 95 01  
norway@invacare.com, island@invacare.com / www.invacare.no

**Österreich:**

Invacare Austria GmbH, Herzog Odilostrasse 101, A-5310 Mondsee  
Tel: (43) 6232 5535 0, Fax: (43) 6232 5535 4  
info-austria@invacare.com / www.invacare.at

**Portugal:**

Invacare Lda, Rua Estrada Velha, 949, P-4465-784 Leça do Balio  
Tel: (351) (0)225 1059 46/47, Fax: (351) (0)225 1057 39  
portugal@invacare.com / www.invacare.pt

**Sverige & Suomi:**

Invacare AB, Fagerstagatan 9, S-163 91 Spånga  
Tel: (46) (0)8 761 70 90, Fax: (46) (0)8 761 81 08  
sweden@invacare.com, finland@invacare.com / www.invacare.se

**Switzerland:**

Invacare AG, Benkenstrasse 260, CH-4108 Witterswil  
Tel: (41) (0)61 487 70 80, Fax: (41) (0)61 487 70 81  
switzerland@invacare.com / www.invacare.ch

**United Kingdom:**

Invacare Limited, Pencoed Technology Park, Pencoed, Bridgend CF35 5AQ  
Switchboard Tel: (44) (0)1656 776200, Fax: (44) (0)1656 776201  
Customer services Tel: (44) (0)1656 776222, Fax: (44) (0)1656 776220  
uk@invacare.com / www.invacare.co.uk