

Spare Parts Catalogue

Version: 2015/08/24b EN



Invacare[®] Pronto M41



Yes, you can.®

General Information

For any order of spare parts the following information is required:

- Product type*
- Product name & model*
- Serial Number*
- Part-Number*
- Part-Description*

Exploded view drawings and code numbers are not contractual and subject to modification, in relation to Invacare® continuous product improvement policy to meet end users needs.

The reproduction or use of this work, or of any substantial part of this work, in any form or by any electronic, mechanical or other means, including photocopying, scanning and recording, and in any information storage and retrieval system, including electronic transmission, is forbidden without the prior written permission of Invacare® International Sarl.



Yes, you can.®

TABLE OF CONTENTS

Information & User Manuals

User Manuals M41	9
User Manuals Shark2	10
User Manuals REM A & REM B	11
User Manuals REM24SD	12
User Manuals REM550	13
User Manuals G90	14
User Manuals G91	15
User Manuals REM34 & REM41 Tray/Centre Control	16
User Manuals IDC Dual Control	17
User Manuals Compact Dual Control	18
User Manuals ACS Handprogrammer	19
User Manual Proximity Head Remote DSL-105	20
User Manuals Headcontrol	21
User Manuals iPortal	22

Chassis

Swingarm	23
Frame	24
Shrouds	25
Crash Fixation	26

Seat

Seat	27
Standard Seat	28
Seat bracket (Standard Seat)	29
Seat Frame & Plate Standard	30
Seat Cushion Standard	31
Captain's Seat	32
Modulite Seat	33
powered Tilt 0°-30°	34
manual Tilt	35
Lifter	36
One Piece Seat Plate	37
Telescopic Seat Frame and Plate	38
Telescopic Seat Frame for Tilt 30° / Lifter	39
Armrest bracket	40
Legrest Support	41
Seat Plate	42
Telescopic Seat Frame and Sling Seat	43
Telescopic Seat Frame for Tilt 30° / Lifter	44
Armrest bracket	40
Legrest Support	45
Sling Seat	46
Telescopic Seat Frame and Universal Adapter	47
Telescopic Seat Frame for Tilt 30° / Lifter	39
Armrest bracket	40
Legrest Support	41
Adapter Kit for Universal Seat	48
Seat Cushion	49



Yes, you can.®

TABLE OF CONTENTS

Backrest

Backrest	52
Backrest Standard Seat, settable	53
Backrest for Modulite Seat	54
Support for Backrest Frame	55
Backrest Frame	56
Sling Back, tension adjustable	57
Backrest support	58
Backposts	59
Connection tube	60
Back Recliner / Stabilization bracket	61
Backrest Cushions	62
Flex 3 / Laguna	63
Matrx Posture Back	65
Matrx Elite T/R Back	66
Matrx Elite Deep Back	67
Matrx Elite (Full) Back	68

Legrests

Legrests	69
Legrests for Standard Seat	70
Legrest 80° & man. adjustable	71
Legrest Support, 80° & man. elevating - Standard & Modulite Seat	72
Hanger, Std. 80° (01.07.15 =>)	73
Hanger, Std. 80° (=> 30.06.15)	74
Hanger, manually height adjustable	75
Footplate, fixed 80°	76
Footplate, depth-, angleadjustable, 80°	77
Amputee Support	78
Footboard	79
Legrests for Captain's Seat	80
Footboard	79
Legrests for Modulite Seat	81
Legrest Vari-Line	82
Legrest Support, Vari series - Modulite Seat	83
Hanger Vari F	84
Hanger Vari A (04/2009 =>)	85
Hangers ADM LH/RH manual	86
Hanger Vari ADE/ADP electric (07/2005 =>)	87
Footrests Vari, Flip-Up (01.08.10 =>)	88
Footrests Vari, Flip-Up & angle adjustable (01.08.10 =>)	89
Footrests Vari, angle & depth adjustable	90
Legrest 80° & man. adjustable	71
Legrest Support, 80° & man. elevating - Standard & Modulite Seat	72
Hanger, Std. 80° (01.07.15 =>)	73
Hanger, Std. 80° (=> 30.06.15)	74
Hanger, manually height adjustable	75
Footplate, fixed 80°	76
Footplate, depth-, angleadjustable, 80°	77
Amputee Support	78



Yes, you can.®

TABLE OF CONTENTS

Legrest centr. mounted	91
Support Centr. Legrest LNX man. - Modulite Seat	92
Support Centr. Legrest LNX el. - Modulite Seat	93
Centr. Legrest man.	94
Centr. Legrest LNX el.	95

Armrests

Armrests	96
T-Armrest, detachable, with Armpad, for Standard Seat 2008-08-01 ==>	97
Armrests for Captain's Seat	98
Armrests for Modulite Seat	99
T-Armrest	100
Padded Armrest	101
Inrigged Armrest	102
Flip-Up Armrest	103
Following Armrest	104
Hip Support	105

Castors

Castor and Forks	106
------------------------	-----

Drive Wheels

Drive wheel	107
-------------------	-----

Propulsion

Motor	108
-------------	-----

Electronic

Electronic	109
ACS Electronic	110
ACS Electronic Modules	111
Powermodule	112
ACT for ACS 2	113
Bracket Powermodul & ACT	114
Bracket ACT for Modulite Seat	115
ACS Remote & Brackets	116
REM 24 SD with brackets	117
Remote REM 24SD	118
Remote Bracket Standard	119
Remote Bracket Swing away & height adjust.	120
Remote Bracket Attendant	121
Remote REM A with Brackets	122
Remote Bracket Standard	119
Remote Bracket Swing away & height adjust.	123
Remote Bracket Attendant	121
REM 550 with brackets	124
Remote Bracket Standard	119
Remote Bracket Swing away & height adjust.	120
Remote Bracket Attendant	121
REM 34 with brackets	125



Yes, you can.®

TABLE OF CONTENTS

Remote Bracket Standard	126
Remote Bracket Swing away & height adjust	127
G90A with brackets	128
Remote Bracket Standard	129
Remote Bracket Swing away & height adjust	130
Remote Bracket Attendant	131
G91S with brackets	132
Remote Bracket Standard	133
Centre control REM 41	134
Small Chin Control with brackets	135
Small Chincontrol	136
Framework for chincontrol	137
Dual Control with brackets - Modulite Seat	138
Remote Bracket Dual Control for Modulite Seat	139
Compact Dual Control with brackets	140
Compact Dual Control	141
Bracket, Compact Dual Control - short	142
Bracket, Compact Dual Control - long	143
Intuitive Dual Control with brackets	144
ACS Cable & Accessories	145
Bus-Cables ACS	146
T-Adapter - Modulite Seat	147
Programming Kits	148
Magnetkey for Remotes	149
Shark Electronic	150
Powermodule	151
Shark Remote & Brackets	152
Remote & Cables	153
Remote Brackets, Standard & Swing Away	154
Remote Bracket for Captain's Seat	155
Shark Cables & Accessories	156
Bus-Cables Shark	157
Programming Kits	148

Cable, Charger & Batteries

Battery cable	158
Chargers	159
Batteries	160

Safety Options

Lap Belt	161
----------------	-----

Seat Accessories

Headrest	162
Head- / Neckrest	163
Headrest sidewise adjustable	164
Headrest with cheek support	165
Lateral Support - Modulite Seat	166
Lateral Support (Dartex)	167
Lateral Support, extended arm (Dartex)	168



Yes, you can.®

TABLE OF CONTENTS

Options & Accessories

Cane holder (Modulite: back posts man recliner)	169
Cane holder (Modulite: back posts pow recliner)	170
Trays	171
KLICKfix® bag	173
KLICKfix® bracket for T-Armrest	174
KLICKfix® bracket for Inrigged/Flip-Up/Following Armrest (Modulite)	175
Oxygen Bottle Holder	176
T-Nuts for Accessories Modulite Seat	177
Toolkit	178

User Manuals M41

languages.io

BG	Български	FR	Français	NL	Nederlands	SV	Svenska
CS	Čeština	HE	עברית	NO	Norsk	UK	Українська
DA	Dansk	HR	Hrvatski	PL	Polski		
DE	Deutsch	HU	Magyar	PT	Português		
EN	English	IT	Italiano	RU	Русский		
ES	Español	JA	日本語	RO	Română		
ET	Eesti	LV	Latviešu	SK	Slovenčina		
FI	Suomi	LT	Lietuvių	SL	Slovenščina		

Pos.	Part number	Description	Valid from → until	Qty
EN	SP1553378	User Manual Pronto M41 - English		1
DA	SP1585013	User Manual Pronto M41 - Danish		1
DE	SP1585062	User Manual Pronto M41 - German		1
FR	SP1585018	User Manual Pronto M41 - French		1
NL	SP1585063	User Manual Pronto M41 - Dutch		1
NO	SP1585014	User Manual Pronto M41 - Norwegian		1
SV	SP1585015	User Manual Pronto M41 - Swedish		1

User Manuals Shark2

languages.io

BG	Български	FR	Français	NL	Nederlands	SV	Svenska
CS	Čeština	HE	עברית	NO	Norsk	UK	Українська
DA	Dansk	HR	Hrvatski	PL	Polski		
DE	Deutsch	HU	Magyar	PT	Português		
EN	English	IT	Italiano	RU	Русский		
ES	Español	JA	日本語	RO	Română		
ET	Eesti	LV	Latviešu	SK	Slovenčina		
FI	Suomi	LT	Lietuvių	SL	Slovenščina		

Pos.	Part number	Description	Valid from → until	Qty
	DE 1451346	User Manual Shark II German		1
	FR 1451347	User Manual Shark II French		1
	SV 1451348	User Manual Shark II Swedish		1
	DA 1451349	User Manual Shark II Danish		1
	NO 1451350	User Manual Shark II Norwegian		1
	NL 1451351	User Manual Shark II Dutch		1
	ES 1451352	User Manual Shark II Spanish		1
	PT 1451353	User Manual Shark II Portuguese		1
	IT 1451354	User Manual Shark II Italian		1
	FI 1451355	User Manual Shark II Finnish		1
	EN 1451356	User Manual Shark II English		1
	SL 1451584	User Manual Shark II Slovenian		1
	CS SP1533297	User Manual Shark2 CS		1
	ET SP1533298	User Manual Shark2 EE		1
	HU SP1533299	User Manual Shark2 HU		1
	LT SP1533300	User Manual Shark2 LT		1
	PL SP1533301	User Manual Shark2 PL		1
	BG SP1546061	User Manual Shark II Bulgarian		1
	RU SP1570186	User Manual Shark II Russian		1
	HR SP1574028	User Manual Shark II Croatian		1
	LV SP1576075	User Manual Shark II Latvian		1

User Manuals REM A & REM B

languages.io

BG	Български	FR	Français	NL	Nederlands	SV	Svenska
CS	Čeština	HE	עברית	NO	Norsk	UK	Українська
DA	Dansk	HR	Hrvatski	PL	Polski		
DE	Deutsch	HU	Magyar	PT	Português		
EN	English	IT	Italiano	RU	Русский		
ES	Español	JA	日本語	RO	Română		
ET	Eesti	LV	Latviešu	SK	Slovenčina		
FI	Suomi	LT	Lietuvių	SL	Slovenščina		

Pos.	Part number	Description	Valid from → until	Qty
	DA 1529171	User Manual REM A & B Dansk		1
	DE 1529172	User Manual REM A & B German		1
	EN 1529173	User Manual REM A & B English		1
	ES 1529174	User Manual REM A & B Spanish		1
	FI 1529228	User Manual REM A & B Finsk		1
	FR 1529229	User Manual REM A & B French		1
	IT 1529230	User Manual REM A & B Italian		1
	NL 1529231	User Manual REM A & B Dutch		1
	NO 1529232	User Manual REM A & B Norsk		1
	PT 1529233	User Manual REM A & B Portuguese		1
	SV 1529234	User Manual REM A & B Swedish		1
	HR SP1533258	User Manual REM A & B Croatian		1
	CS SP1533259	User Manual REM A & B Czech		1
	ET SP1533265	User Manual REM A & B Estonian		1
	HU SP1533266	User Manual REM A & B Hungarian		1
	LT SP1533267	User Manual REM A & B Lithuanian		1
	PL SP1533268	User Manual REM A & B Polish		1
	SL SP1533269	User Manual REM A & B Slovenian		1
	RO SP1533270	User Manual REM A & B Romanian		1

User Manuals REM24SD

languages.io

BG	Български	FR	Français	NL	Nederlands	SV	Svenska
CS	Čeština	HE	עברית	NO	Norsk	UK	Українська
DA	Dansk	HR	Hrvatski	PL	Polski		
DE	Deutsch	HU	Magyar	PT	Português		
EN	English	IT	Italiano	RU	Русский		
ES	Español	JA	日本語	RO	Română		
ET	Eesti	LV	Latviešu	SK	Slovenčina		
FI	Suomi	LT	Lietuvių	SL	Slovenščina		

Pos.	Part number	Description	Valid from → until	Qty
	DE 1436142	User Manual REM24SD German		1
	FR 1436143	User Manual REM24SD French		1
	EN 1436144	User Manual REM24SD English		1
	SV 1436145	User Manual REM24SD Swedish		1
	DA 1436146	User Manual REM24SD Danish		1
	NO 1436147	User Manual REM24SD Norwegian		1
	NL 1436148	User Manual REM24SD Dutch		1
	ES 1436149	User Manual REM24SD Spanish		1
	PT 1436150	User Manual REM24SD Portuguese		1
	IT 1436385	User Manual REM24SD Italian		1
	FI 1436386	User Manual REM24SD Finnish		1
	HR SP1533251	User Manual REM24SD Croatian		1
	CS SP1533252	User Manual REM24SD Czech		1
	ET SP1533253	User Manual REM24SD Estonian		1
	HU SP1533254	User Manual REM24SD Hungarian		1
	LT SP1533255	User Manual REM24SD Lithuanian		1
	PL SP1533256	User Manual REM24SD Polish		1
	SL SP1533257	User Manual REM24SD Slovenian		1
	LV SP1543152	User Manual REM24SD Latvian		1

User Manuals REM550

languages.io

BG	Български	FR	Français	NL	Nederlands	SV	Svenska
CS	Čeština	HE	עברית	NO	Norsk	UK	Українська
DA	Dansk	HR	Hrvatski	PL	Polski		
DE	Deutsch	HU	Magyar	PT	Português		
EN	English	IT	Italiano	RU	Русский		
ES	Español	JA	日本語	RO	Română		
ET	Eesti	LV	Latviešu	SK	Slovenčina		
FI	Suomi	LT	Lietuvių	SL	Slovenščina		

Pos.	Part number	Description	Valid from → until	Qty
	DA 1528088	User Manual REM550 Danish		1
	DE 1528089	User Manual REM550 German		1
	EN 1528090	User Manual REM550 English		1
	ES 1528091	User Manual REM550 Spanish		1
	FI 1528092	User Manual REM550 Finsk		1
	FR 1528093	User Manual REM550 French		1
	IT 1528094	User Manual REM550 Italiano		1
	NL 1528095	User Manual REM550 Dutch		1
	NO 1528096	User Manual REM550 Norsk		1
	PT 1528097	User Manual REM550 Portuguese		1
	SV 1528098	User Manual REM550 Swedish		1
	HR SP1533279	User Manual REM550 Croatian		1
	CS SP1533280	User Manual REM551 Czech		1
	ET SP1533281	User Manual REM552 Estonian		1
	HU SP1533282	User Manual REM553 Hungarian		1
	LT SP1533283	User Manual REM554 Lithuanian		1
	PL SP1533284	User Manual REM555 Polish		1
	SL SP1533285	User Manual REM556 Slovenian		1

User Manuals G90

languages.io

BG	Български	FR	Français	NL	Nederlands	SV	Svenska
CS	Čeština	HE	עברית	NO	Norsk	UK	Українська
DA	Dansk	HR	Hrvatski	PL	Polski		
DE	Deutsch	HU	Magyar	PT	Português		
EN	English	IT	Italiano	RU	Русский		
ES	Español	JA	日本語	RO	Română		
ET	Eesti	LV	Latviešu	SK	Slovenčina		
FI	Suomi	LT	Lietuvių	SL	Slovenščina		

Pos.	Part number	Description	Valid from → until	Qty
EN	1523674	User Manual G90 English		1

User Manuals G91

languages.io

BG	Български	FR	Français	NL	Nederlands	SV	Svenska
CS	Čeština	HE	עברית	NO	Norsk	UK	Українська
DA	Dansk	HR	Hrvatski	PL	Polski		
DE	Deutsch	HU	Magyar	PT	Português		
EN	English	IT	Italiano	RU	Русский		
ES	Español	JA	日本語	RO	Română		
ET	Eesti	LV	Latviešu	SK	Slovenčina		
FI	Suomi	LT	Lietuvių	SL	Slovenščina		

Pos.	Part number	Description	Valid from → until	Qty
	DE 1536441	User Manual G91 German		1
	DA 1537929	User Manual G91 Danish		1
	NL 1537930	User Manual G91 Dutch		1
	EN 1537931	User Manual G91 English		1
	FI 1537932	User Manual G91 Finnish		1
	FR 1537933	User Manual G91 French		1
	IT 1537934	User Manual G91 Italian		1
	NO 1537935	User Manual G91 Norwegian		1
	PT 1537936	User Manual G91 Portuguese		1
	ES 1537937	User Manual G91 Spanish		1
	SV 1537938	User Manual G91 Swedish		1

User Manuals REM34 & REM41 Tray/Centre Control

languages.io

BG	Български	FR	Français	NL	Nederlands	SV	Svenska
CS	Čeština	HE	עברית	NO	Norsk	UK	Українська
DA	Dansk	HR	Hrvatski	PL	Polski		
DE	Deutsch	HU	Magyar	PT	Português		
EN	English	IT	Italiano	RU	Русский		
ES	Español	JA	日本語	RO	Română		
ET	Eesti	LV	Latviešu	SK	Slovenčina		
FI	Suomi	LT	Lietuvių	SL	Slovenščina		

Pos.	Part number	Description	Valid from → until	Qty
DA	SP1538022	User Manual REM41 Tray Control Danish		1
EN	SP1538023	User Manual REM41 Tray Control English		1
ES	SP1538024	User Manual REM41 Tray Control Spanish		1
FR	SP1538025	User Manual REM41 Tray Control French		1
IT	SP1538026	User Manual REM41 Tray Control Italian		1
NL	SP1538027	User Manual REM41 Tray Control Dutch		1
NO	SP1538028	User Manual REM41 Tray Control Norwegian		1
PT	SP1538029	User Manual REM41 Tray Control Portuguese		1
SV	SP1538030	User Manual REM41 Tray Control Swedish		1
CS	SP1538031	User Manual REM41 Tray Control Czech		1
SL	SP1538032	User Manual REM41 Tray Control Slovenian		1
DE	SP1541402	User Manual REM41 Tray Control German		1

User Manuals IDC Dual Control

languages.io

BG	Български	FR	Français	NL	Nederlands	SV	Svenska
CS	Čeština	HE	עברית	NO	Norsk	UK	Українська
DA	Dansk	HR	Hrvatski	PL	Polski		
DE	Deutsch	HU	Magyar	PT	Português		
EN	English	IT	Italiano	RU	Русский		
ES	Español	JA	日本語	RO	Română		
ET	Eesti	LV	Latviešu	SK	Slovenčina		
FI	Suomi	LT	Lietuvių	SL	Slovenščina		

Pos.	Part number	Description	Valid from → until	Qty
	DE 1521480	User Manual Dual-Control German		1
	EN 1521481	User Manual Dual-Control English		1
	FR 1521482	User Manual Dual-Control French		1
	NL 1521483	User Manual Dual-Control Dutch		1
	NO 1521484	User Manual Dual-Control Norwegian		1
	SV 1521485	User Manual Dual-Control Swedish		1
	DA 1521486	User Manual Dual-Control Danish		1
	IT 1522252	User Manual Dual-Control Italian		1
	PT 1522254	User Manual Dual-Control Portuguese		1
	ES 1522255	User Manual Dual-Control Spanish		1

User Manuals Compact Dual Control

languages.io

BG	Български	FR	Français	NL	Nederlands	SV	Svenska
CS	Čeština	HE	עברית	NO	Norsk	UK	Українська
DA	Dansk	HR	Hrvatski	PL	Polski		
DE	Deutsch	HU	Magyar	PT	Português		
EN	English	IT	Italiano	RU	Русский		
ES	Español	JA	日本語	RO	Română		
ET	Eesti	LV	Latviešu	SK	Slovenčina		
FI	Suomi	LT	Lietuvių	SL	Slovenščina		

Pos.	Part number	Description	Valid from → until	Qty
BG	SP1589186	User Manual Compact Dual Control - Bulgarian		1
CS	SP1589313	User Manual Compact Dual Control - Czech		1
DA	SP1588488	User Manual Compact Dual Control - Danish		1
DE	SP1588489	User Manual Compact Dual Control - German		1
EN	SP1588462	User Manual Compact Dual Control - English		1
ES	SP1588496	User Manual Compact Dual Control - Spanish		1
ET	SP1589311	User Manual Compact Dual Control - Estonian		1
FI	SP1588490	User Manual Compact Dual Control - Finnish		1
FR	SP1588491	User Manual Compact Dual Control - French		1
HR	SP1589314	User Manual Compact Dual Control - Croatian		1
HU	SP1589315	User Manual Compact Dual Control - Hungarian		1
IT	SP1588492	User Manual Compact Dual Control - Italian		1
LV	SP1589317	User Manual Compact Dual Control - Latvian		1
LT	SP1589316	User Manual Compact Dual Control - Lithuanian		1
NL	SP1588493	User Manual Compact Dual Control - Dutch		1
NO	SP1588494	User Manual Compact Dual Control - Norwegian		1
PL	SP1589318	User Manual Compact Dual Control - Polish		1
PT	SP1588495	User Manual Compact Dual Control - Portuguese		1
RU	SP1589320	User Manual Compact Dual Control - Russian		1
RO	SP1589319	User Manual Compact Dual Control - Romanian		1
SK	SP1589321	User Manual Compact Dual Control - Slovak		1
SL	SP1589322	User Manual Compact Dual Control - Slovenian		1
SV	SP1588497	User Manual Compact Dual Control - Swedish		1
UK	SP1589323	User Manual Compact Dual Control - Ukrainian		1

User Manuals ACS Handprogrammer

languages.io

BG	Български	FR	Français	NL	Nederlands	SV	Svenska
CS	Čeština	HE	עברית	NO	Norsk	UK	Українська
DA	Dansk	HR	Hrvatski	PL	Polski		
DE	Deutsch	HU	Magyar	PT	Português		
EN	English	IT	Italiano	RU	Русский		
ES	Español	JA	日本語	RO	Română		
ET	Eesti	LV	Latviešu	SK	Slovenčina		
FI	Suomi	LT	Lietuvių	SL	Slovenščina		

Pos.	Part number	Description	Valid from → until	Qty
DE	1419316	User Manual Handheld Programmer German		1
EN	1419317	User Manual Handheld Programmer English		1

User Manual Proximity Head Remote DSL-105

languages.io

BG	Български	FR	Français	NL	Nederlands	SV	Svenska
CS	Čeština	HE	עברית	NO	Norsk	UK	Українська
DA	Dansk	HR	Hrvatski	PL	Polski		
DE	Deutsch	HU	Magyar	PT	Português		
EN	English	IT	Italiano	RU	Русский		
ES	Español	JA	日本語	RO	Română		
ET	Eesti	LV	Latviešu	SK	Slovenčina		
FI	Suomi	LT	Lietuvių	SL	Slovenščina		

Pos.	Part number	Description	Valid from → until	Qty
EN	SP1555731	User Manual Proximity Head Remote DSL-105 English		1
DE	SP1555732	User Manual Proximity Head Remote DSL-105 German		1
FR	SP1555733	User Manual Proximity Head Remote DSL-105 French		1
DA	SP1555839	User Manual Proximity Head Remote DSL-105 Danish		1
ES	SP1555840	User Manual Proximity Head Remote DSL-105 Spanish		1
FI	SP1555841	User Manual Proximity Head Remote DSL-105 Finnish		1
IT	SP1555842	User Manual Proximity Head Remote DSL-105 Italian		1
NL	SP1555843	User Manual Proximity Head Remote DSL-105 Dutch		1
NO	SP1555844	User Manual Proximity Head Remote DSL-105 Norwegian		1
PT	SP1555845	User Manual Proximity Head Remote DSL-105 Portuguese		1
SV	SP1555846	User Manual Proximity Head Remote DSL-105 Swedish		1

User Manuals Headcontrol

languages.io

BG	Български	FR	Français	NL	Nederlands	SV	Svenska
CS	Čeština	HE	עברית	NO	Norsk	UK	Українська
DA	Dansk	HR	Hrvatski	PL	Polski		
DE	Deutsch	HU	Magyar	PT	Português		
EN	English	IT	Italiano	RU	Русский		
ES	Español	JA	日本語	RO	Română		
ET	Eesti	LV	Latviešu	SK	Slovenčina		
FI	Suomi	LT	Lietuvių	SL	Slovenščina		

Pos.	Part number	Description	Valid from → until	Qty
DE	SP1493028	User Manual Headrest Headset German		1
EN	SP1493029	User Manual Headrest Headset English		1
NL	SP1493030	User Manual Headrest Headset Dutch		1

User Manuals iPortal

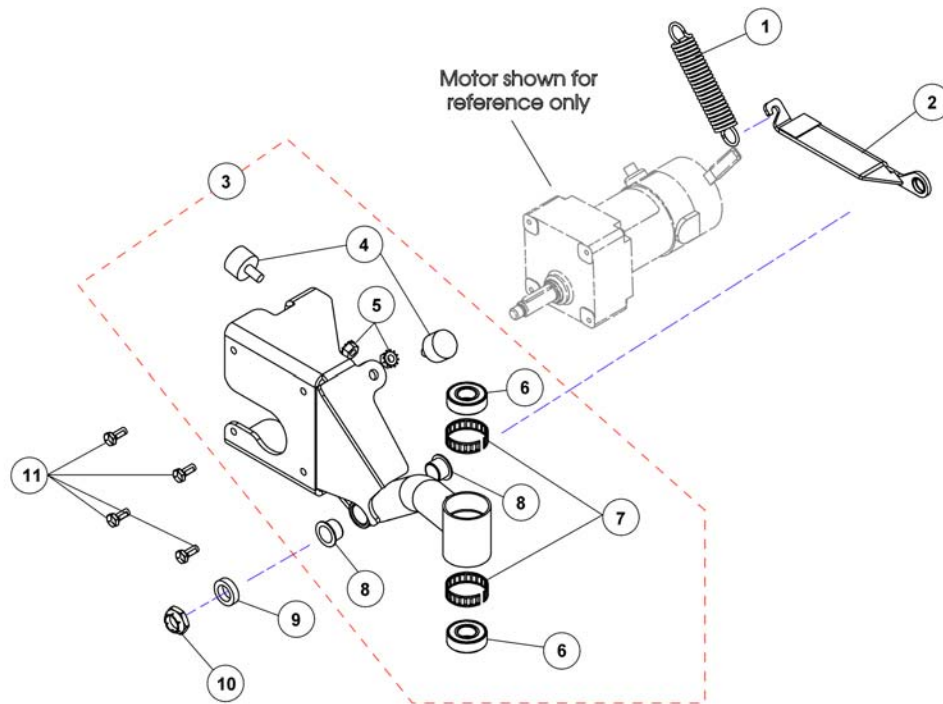
languages.io

BG	Български	FR	Français	NL	Nederlands	SV	Svenska
CS	Čeština	HE	עברית	NO	Norsk	UK	Українська
DA	Dansk	HR	Hrvatski	PL	Polski		
DE	Deutsch	HU	Magyar	PT	Português		
EN	English	IT	Italiano	RU	Русский		
ES	Español	JA	日本語	RO	Română		
ET	Eesti	LV	Latviešu	SK	Slovenčina		
FI	Suomi	LT	Lietuvių	SL	Slovenščina		

Pos.	Part number	Description	Valid from → until	Qty
EN	SP1548231	User Manual iPortal english		1
DA	SP1552493	User Manual iPortal danisch		1
FR	SP1552494	User Manual iPortal french		1
FI	SP1552512	User Manual iPortal finnish		1
NO	SP1552513	User Manual iPortal norwegian		1
SV	SP1552533	User Manual iPortal swedish		1
IT	SP1552534	User Manual iPortal Italian		1
DE	SP1552535	User Manual iPortal german		1
SL	SP1552703	User Manual iPortal slovenian		1
NL	SP1559807	User Manual iPortal Dutch		1
PT	SP1567967	User Manual iPortal Portuguese		1
ES	SP1568026	User Manual iPortal Spanish		1

Swingarm

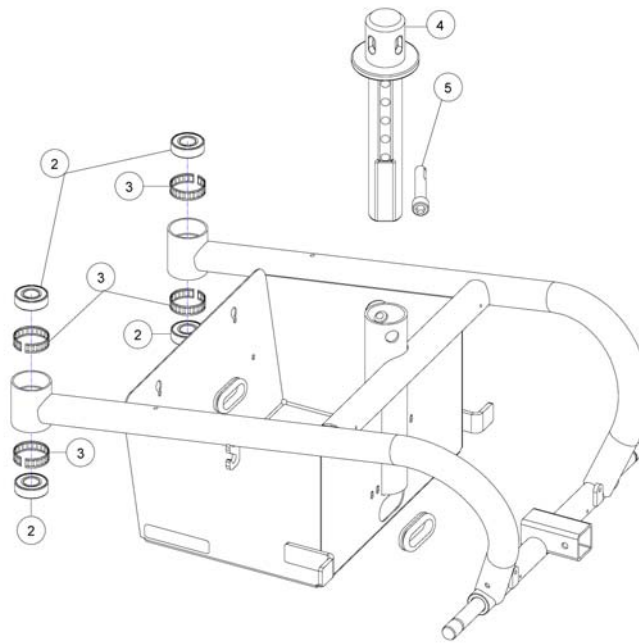
11487EN.png



Pos.	Part number	Description	Valid from → until	Qty
1	SP1127400	Spring, Extension (1x4-1/2"L)		1
2	SP1143829	Bracket, Stop Spring cpl. Black - Right <i>Stop Spring Bracket includes flanged bearing and hook fastener.</i>		1
2	SP1143830	Bracket, Stop Spring cpl. Black - Left <i>Stop Spring Bracket includes flanged bearing and hook fastener.</i>		1
3	SP1143678	Swingarm Assembly-Right <i>Includes Swingarm plus item 4-8.</i>		1
3	SP1143679	Swingarm Assembly-Left <i>Includes Swingarm plus item 4-8.</i>		1
4	SP1108437	Bumper, Rubber (ø1" x 5/8")		1
6	SP40117X006	Bearing (5/8 ")		1
7	SP1110717	Ring, Tolerance		1
8	SP1140994	Bearing, Flange (5/8x23/32x1/2")		1
9	SP1110685	Spacer, Bushing		1
10	SP1537405	Locknut (5/8-18)		1
11	SP1121024	Screw, Hex Head w/Patch (1/4-20 x 5/8")		1

Frame

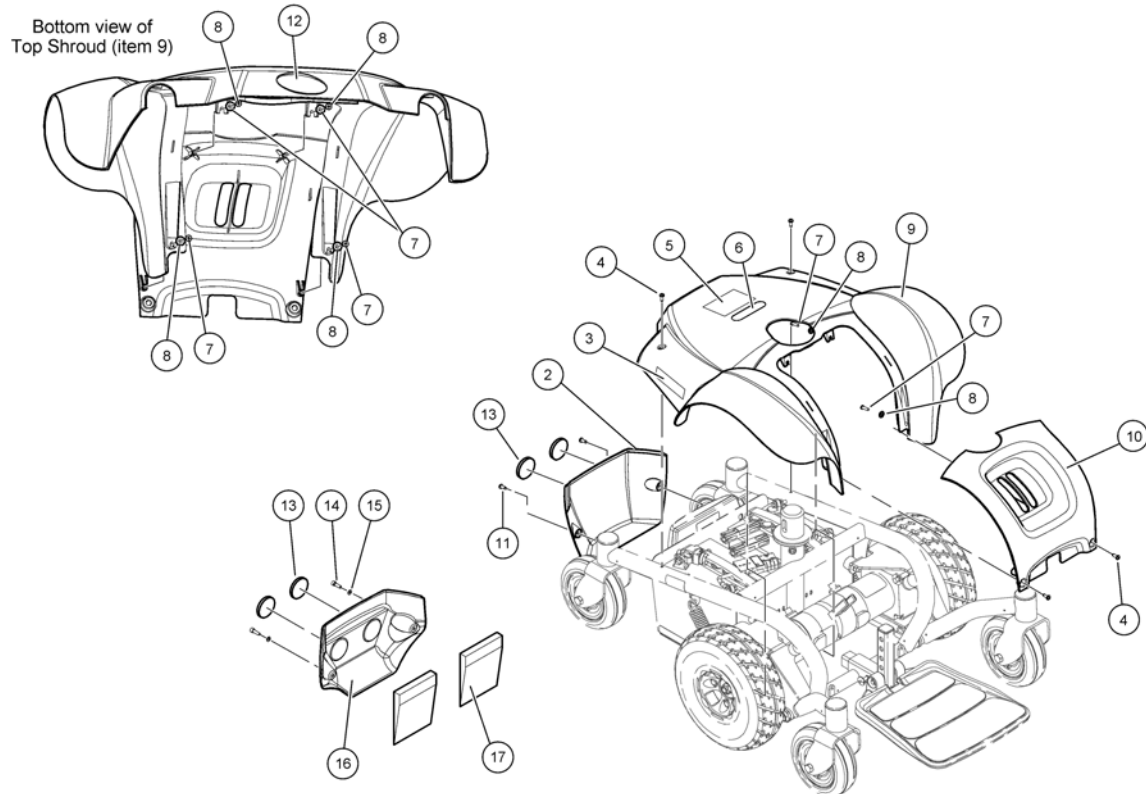
114300X.dwg



Pos.	Part number	Description	Valid from → until	Qty
-	1553672	Crash Kit (4 Tie down brackets & 4 labels) <i>Not shown / sans illustration / ohne Abbildung</i>		1
2	SP40117X006	Bearing (5/8 ")		1
3	SP1110717	Ring, Tolerance		1
4	SP1143697	Post, Seat Pivot	→ 2012-11-06	1
4	SP1170578	Post, Seat Pivot <i>S/N 12KSZA40001 =></i>	2012-11-07 →	1
5	SP1124252	Screw, Socket Head w/Patch (3/8-16 x 2")	→ 2012-11-06	1
5	SP1170583	Screw, Socket Head w/Patch (1/2-13 x 2-1/4") <i>S/N 12KSZA40001 =></i>	2012-11-07 →	1

Shrouds

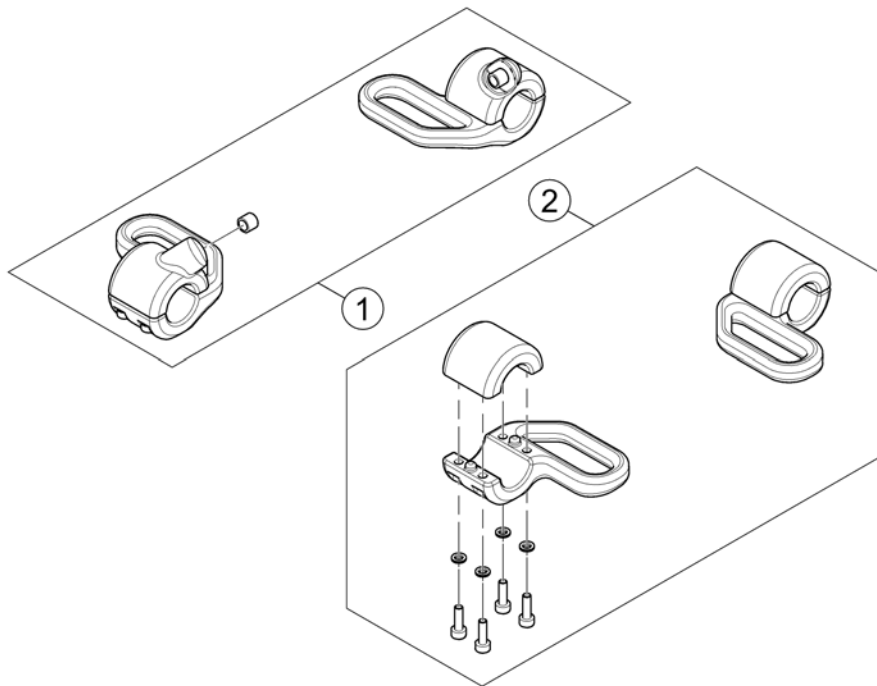
1145423X.iso



Pos.	Part number	Description	Valid from → until	Qty
2	SP1145420	Rear Shroud, black (if ACT not installed)		1
4	SP1537404	Screw, Phillips Pan Head Tap (#10-32 x 1/2 ")		4
5	SP1557590	Warning decal "Do not turn more than 360°"		1
7	1114276	Screw, Phillips Head (8-16 x5/8")		4
8	SP1028516	Washer, Steel (3/16 x 7/16 x 1/16")		4
9	SP1145423	Top Shroud Assembly, Red <i>Shroud includes decals, items 3, 5-6 & 12</i>		1
10	SP1145419	Front Shroud, Black		1
11	SP1179458	Screw		2
13	SP1541591	Reflector, red		2
14	1415042	Cylinder bolt DIN912-M05x16-8.8 bk		2
15	G00111	Washer DIN125-Ø5,3 zc		2
16	SP1581826	Rear Shroud, black (if ACT installed)		1
17	SP1526953	Battery insert		2

Crash Fixation

158520 Rev



Pos.	Part number	Description	Valid from → until	Qty
1	SP1585598	Crash Fixation, Rear		1
2	SP1583080	Crash Fixation, Front		1

SPCM4120.iso



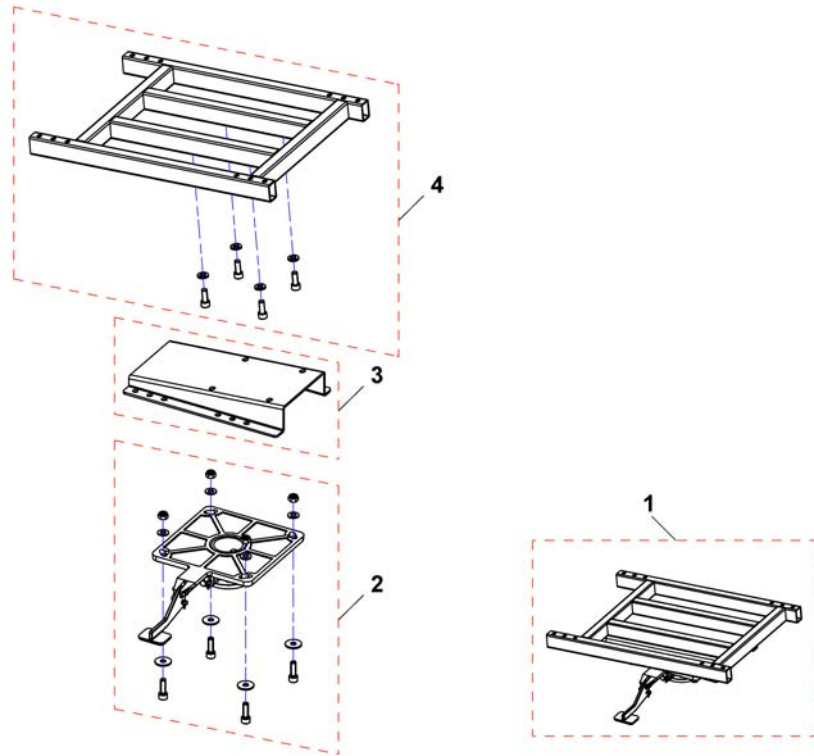
Pos.	Part number	Description	Valid from → until	Qty
1	-	Standard Seat		1
2	-	Captain's Seat		1
3	-	Modulite Seat		1

Standard Seat

Pos.	Part number	Description	Valid from → until	Qty
-		Seat bracket (Standard Seat)		1
-		Seat Frame & Plate Standard		1
-		Seat Cushion Standard		1

Invacare® Pronto M41 | Seat
Seat bracket (Standard Seat)

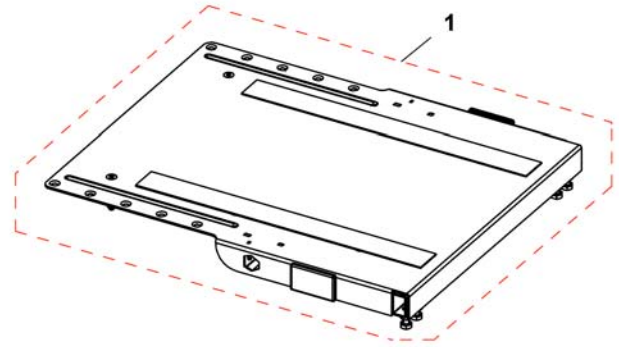
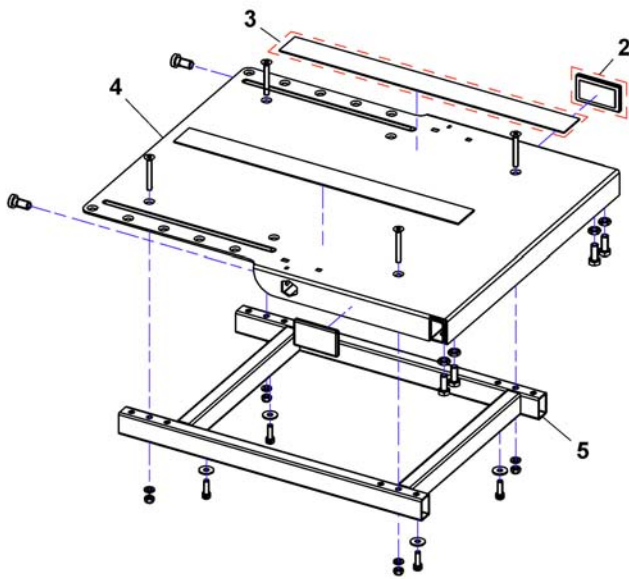
1553673X.dwg



Pos.	Part number	Description	Valid from → until	Qty
1	SP1553673	Seat frame assembly		1
2	SP1537439	Pivot, Seat		1
3	SP1129722	Kit, Seat angle bracket		1
4	SP1553301	Seat frame		1

Seat Frame & Plate Standard

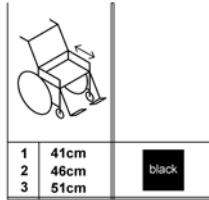
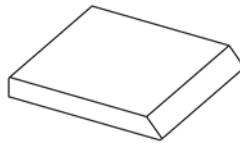
1526884PAC.dwg



Pos.	Part number	Description	Valid from → until	Qty
1	SP1526884	Seat plate assembly		1
2	P31298	Reflector, yellow		1
3	SPU21087	Velcro		1
4	1419999-9005	Seat Plate		1
5	SP1523467	Seat frame		1

1000001.dwg

Standard



Pos.	Part number	Description	Valid from → until	Qty
1	1420460	Seat Cushion Standard SD 410mm		1
2	1420461	Seat Cushion Standard SD 460mm		1
3	1420462	Seat Cushion Standard SD 510mm		1

Captain's Seat

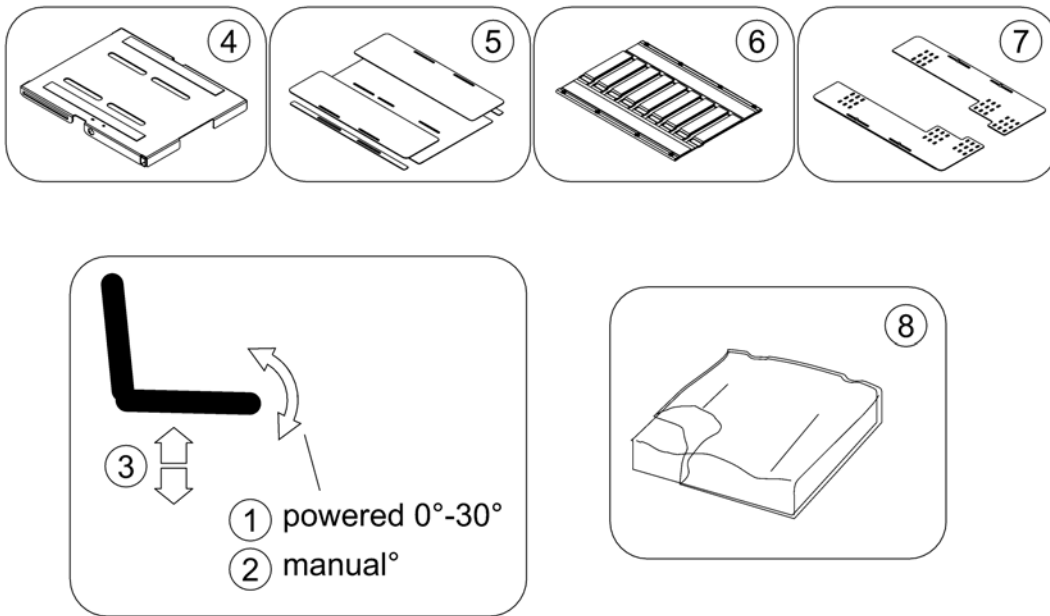
1577764.iso



Pos.	Part number	Description	Valid from → until	Qty
1	SP1152162	Captain's Seat 406mm (16"), complete		1
2	SP1136813	Captain's Seat 457mm (18"), complete		1

Modulite Seat

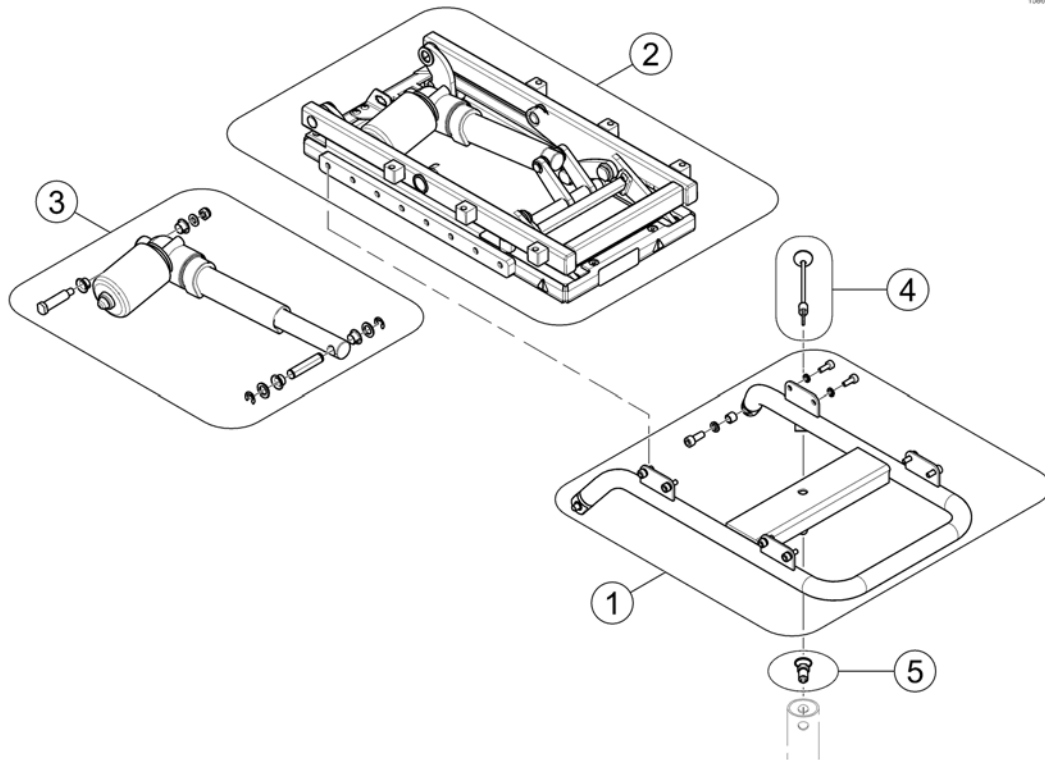
1586293 Rev



Pos.	Part number	Description	Valid from → until	Qty
1	-	powered Tilt 0°-30°		1
2	-	manual Tilt		1
3	-	Lifter		1
4	-	One Piece Seat Plate		1
5	-	Telescopic Seat Frame and Plate		1
6	-	Telescopic Seat Frame and Sling Seat		1
7	-	Telescopic Seat Frame and Universal Adapter		1
8	-	Seat Cushion		1

Invacare® Pronto M41 | Seat
powered Tilt 0°-30°

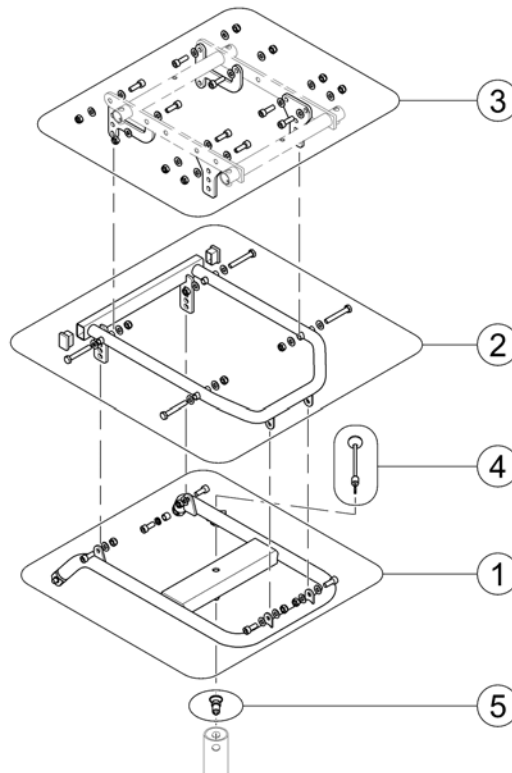
1586200 Rev



Pos.	Part number	Description	Valid from → until	Qty
-	SP1570291	Adapter Cable		1
1	SP1585599	Modul, cpl.		1
2	SP1558714	Tilt unit		1
3	SP1571809	Actuator		1
4	SP1585455	Unlocking elastic strip		1
5	SP1582569	Indexing Plungers UNC 1/2"x13		1

manual Tilt

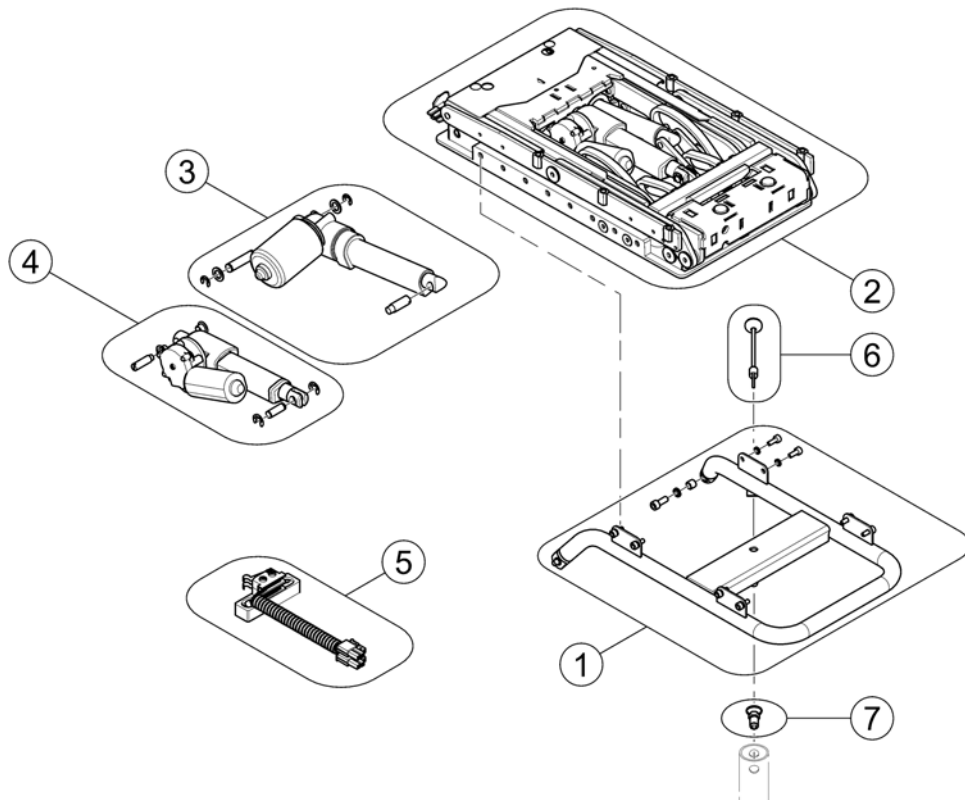
1587532 Rev



Pos.	Part number	Description	Valid from → until	Qty
1	SP1587533	Tilt frame - lower part, cpl.		1
2	SP1587534	Tilt frame - upper part, cpl.		1
3	SP1587535	Adjustment sheets, cpl.		1
4	SP1585455	Unlocking elastic strip		1
5	SP1582569	Indexing Plungers UNC 1/2"x13		1

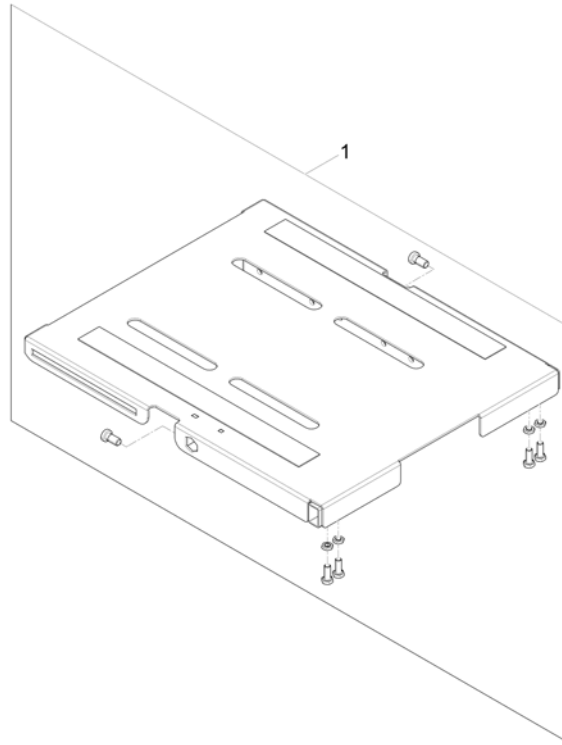
Lifter

1586090 iso



Pos.	Part number	Description	Valid from → until	Qty
-	SP1583361	Adapter cable Tyco-ACT marked		1
-	SP1583681	Extension cable 800mm marked		1
1	SP1585599	Modul, cpl.		1
2	SP1558715	Liter- / Tilt unit		1
3	SP1571823	Lifter actuator		1
4	SP1571822	Tilt actuator		1
5	SP1577762	Slow-Stop Switchcable with Mounting		1
6	SP1585455	Unlocking elastic strip		1
7	SP1582569	Indexing Plungers UNC 1/2"x13		1

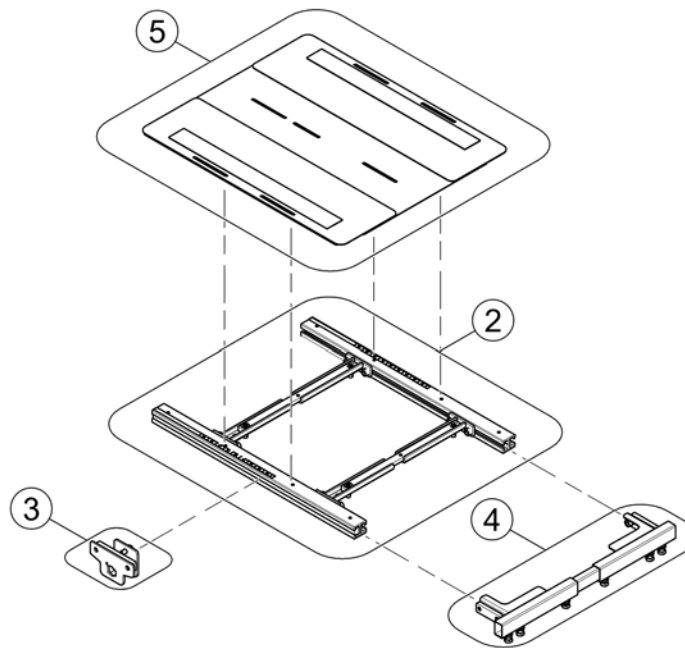
1571064.000



Pos.	Part number	Description	Valid from → until	Qty
1	SP1571297	One Piece Seat Plate		1

Telescopic Seat Frame and Plate

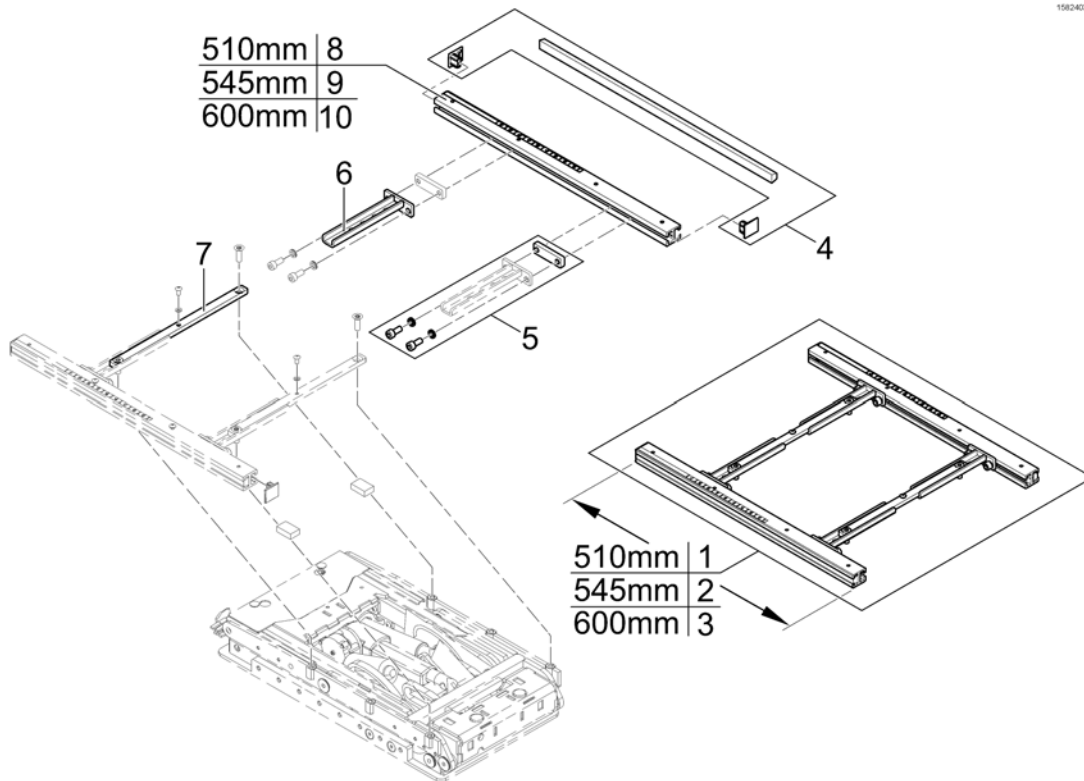
1580201 Rev



Pos.	Part number	Description	Valid from → until	Qty
2	-	Telescopic Seat Frame for Tilt 30° / Lifter		1
3	-	Armrest bracket		1
4	-	Legrest Support		1
5	-	Seat Plate		1

Telescopic Seat Frame for Tilt 30° / Lifter

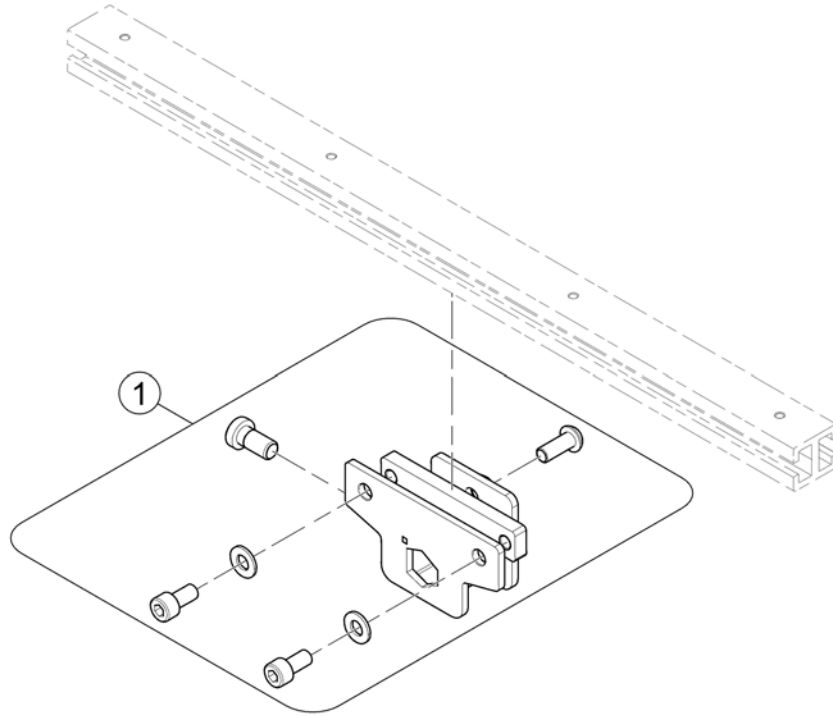
158243 Rev



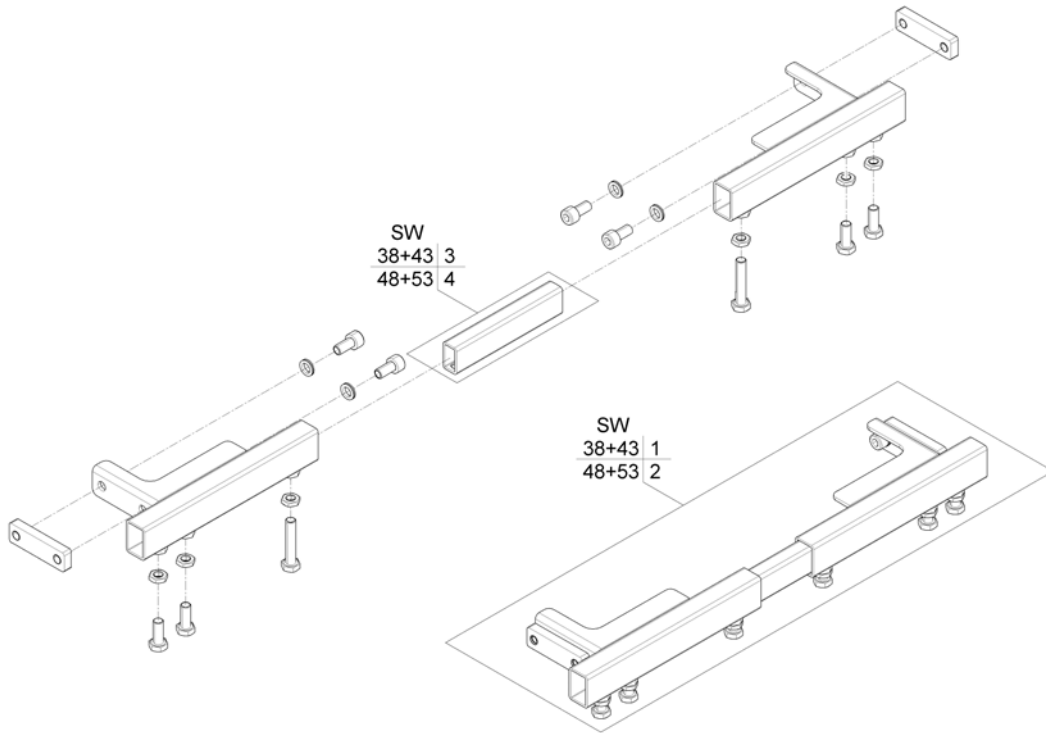
Pos.	Part number	Description	Valid from → until	Qty
1	SP1572992	Seatframe 510mm, pre set up to SW 430mm, cpl.		1
2	SP1582219	Seatframe 545mm, pre set up to SW 430mm, cpl.		1
3	SP1582740	Seatframe 600mm, pre set up to SW 430mm, cpl.		1
4	SP1571810	Sealing strap with plugs		1
5	SP1571811	Groove stone with mounting parts		1
6	SP1567007	Seat Frame Adapter		1
7	SP1567008	Middle Rail		2
8	SP1588443	Seat Rails 510mm (2pcs kit)		1
9	SP1588444	Seat Rails 545mm (2pcs kit)		1
10	SP1588445	Seat Rails 600mm (2pcs kit)		1

Armrest bracket

1571834 Rev



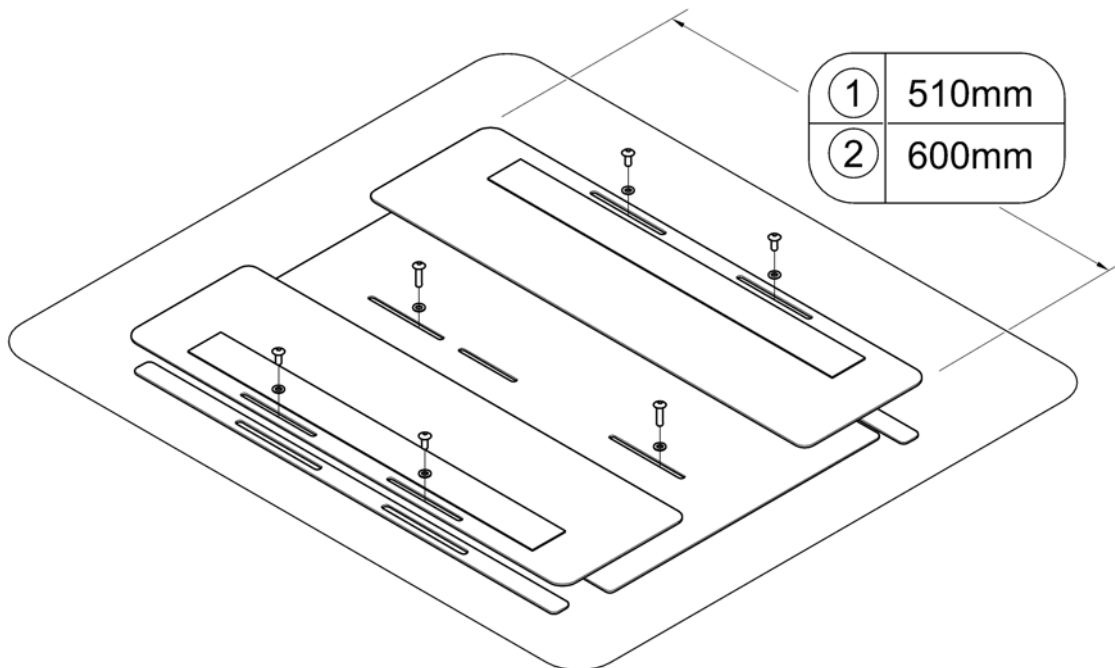
Pos.	Part number	Description	Valid from → until	Qty
1	SP1570189	Armrest bracket		1



Pos.	Part number	Description	Valid from → until	Qty
1	SP1558935	Legrest Support SW38+43, cpl.		1
2	SP1559294	Legrest Support SW48+53, cpl.		1
3	SP1558134	Connection Tube SW380+430mm		1
4	SP1558135	Connection Tube SW480+530mm		1

Seat Plate

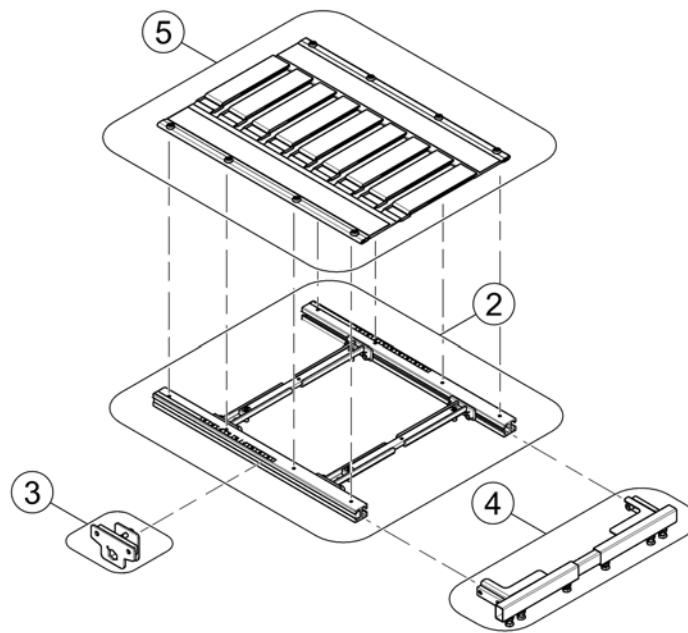
1582404.iso



Pos.	Part number	Description	Valid from → until	Qty
1	SP1572199	Seat Plate 510mm, cpl.		1
2	SP1580756	Seat Plate 600mm, cpl.		1

Telescopic Seat Frame and Sling Seat

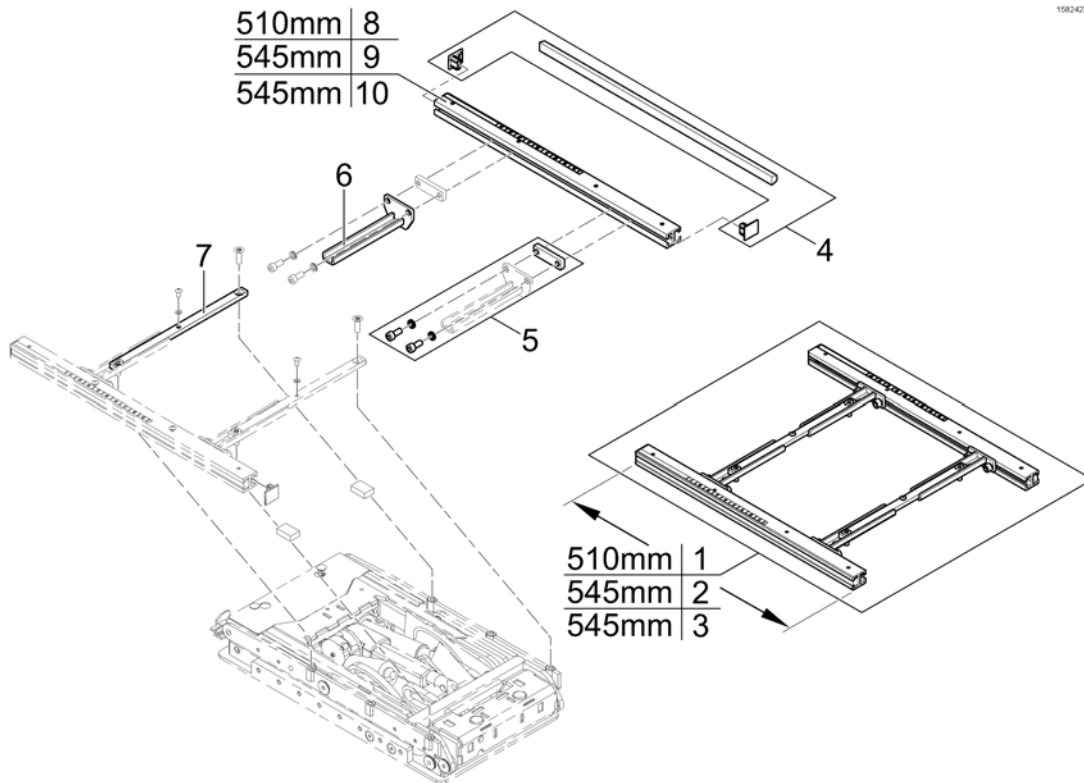
1586202 Rev



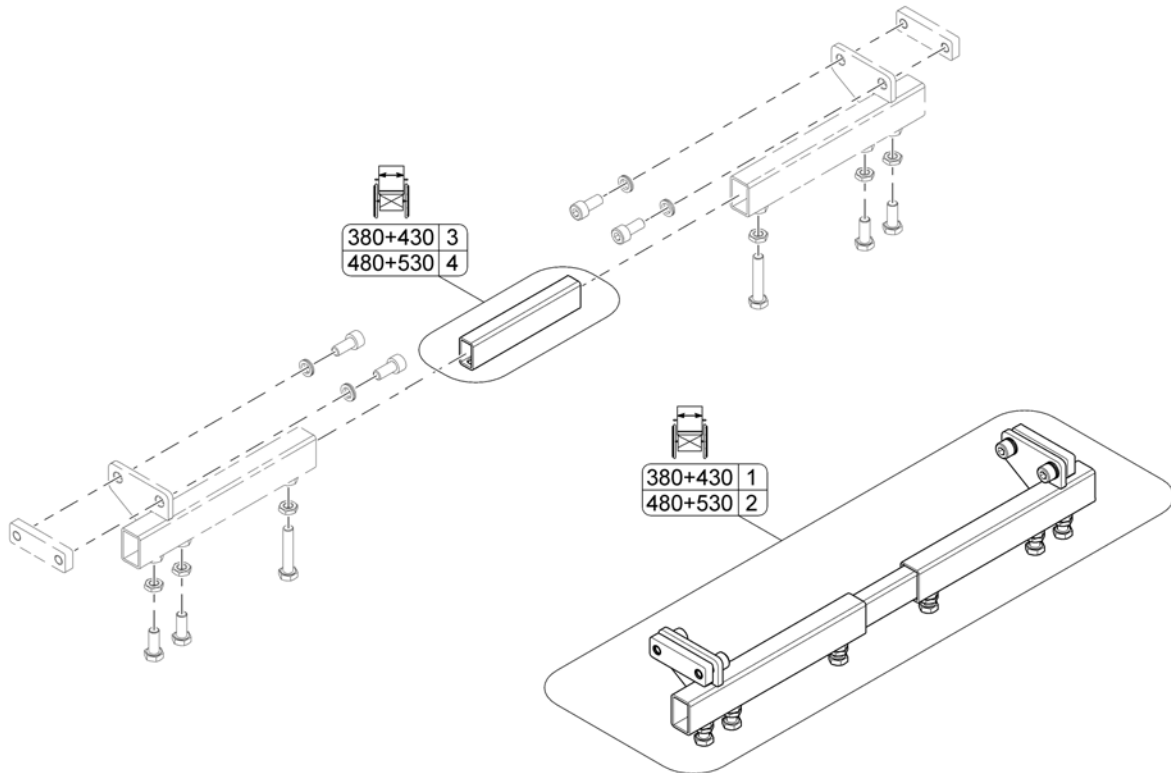
Pos.	Part number	Description	Valid from → until	Qty
2	-	Telescopic Seat Frame for Tilt 30° / Lifter		1
3	-	Armrest bracket		1
4	-	Legrest Support		1
5	-	Sling Seat		1

Telescopic Seat Frame for Tilt 30° / Lifter

1582427 00



Pos.	Part number	Description	Valid from → until	Qty
1	SP1572993	Seatframe 510mm, pre set up to SW 430mm, cpl.		1
2	SP1582230	Seatframe 545mm, pre set up to SW 430mm, cpl.		1
3	SP1582742	Seatframe 600mm, pre set up to SW 430mm, cpl.		1
4	SP1571810	Sealing strap with plugs		1
5	SP1571811	Groove stone with mounting parts		1
6	SP1567720	Seatframe Adapter		1
7	SP1567008	Middle Rail		1
8	SP1588443	Seat Rails 510mm (2pcs kit)		1
9	SP1588444	Seat Rails 545mm (2pcs kit)		1
10	SP1588445	Seat Rails 600mm (2pcs kit)		1

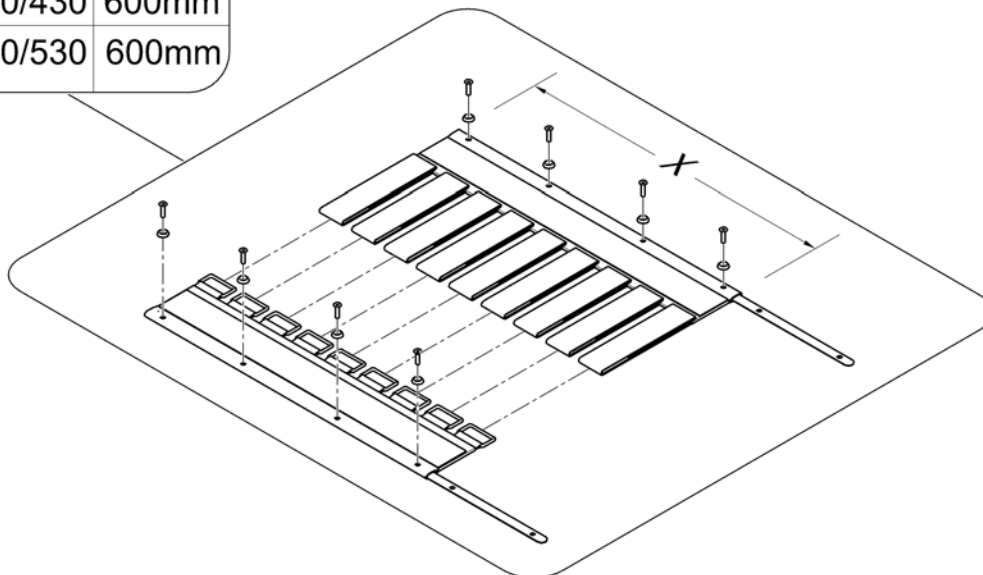


Pos.	Part number	Description	Valid from → until	Qty
1	SP1559305	Legrest Support SW380+430mm, cpl.		1
2	SP1559307	Legrest Support SW480+530mm, cpl.		1
3	SP1558134	Connection Tube SW380+430mm		1
4	SP1558135	Connection Tube SW480+530mm		1

Sling Seat

1582429 iso

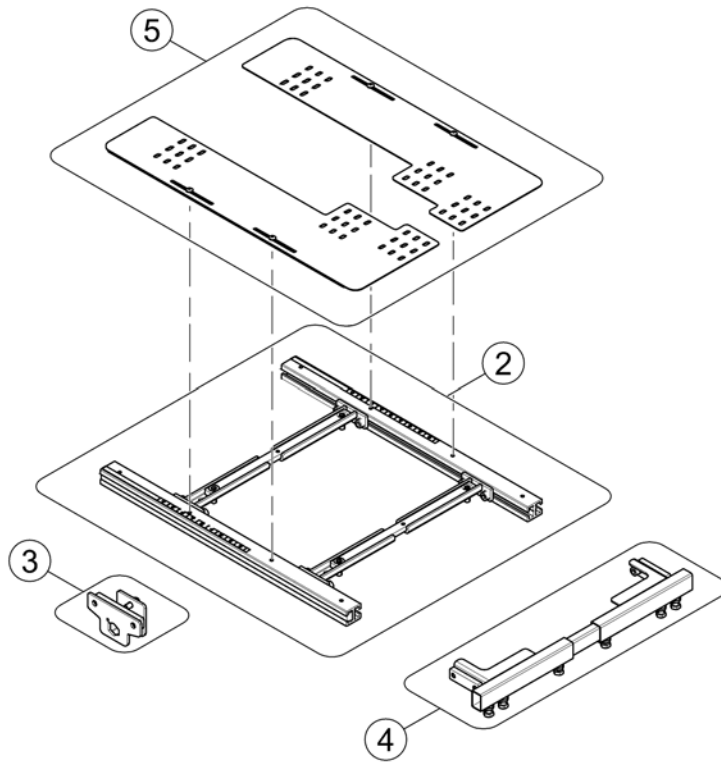
	SW	X
①	380/430	510mm
②	480/530	510mm
③	380/430	600mm
④	480/530	600mm



Pos.	Part number	Description	Valid from → until	Qty
1	SP1557877	Sling Seat SW380/430, 510mm		1
2	SP1555911	Sling Seat SW480/530, 510mm		1
3	SP1580757	Sling Seat SW380/430, 600mm		1
4	SP1580758	Sling Seat SW480/530, 600mm		1

Telescopic Seat Frame and Universal Adapter

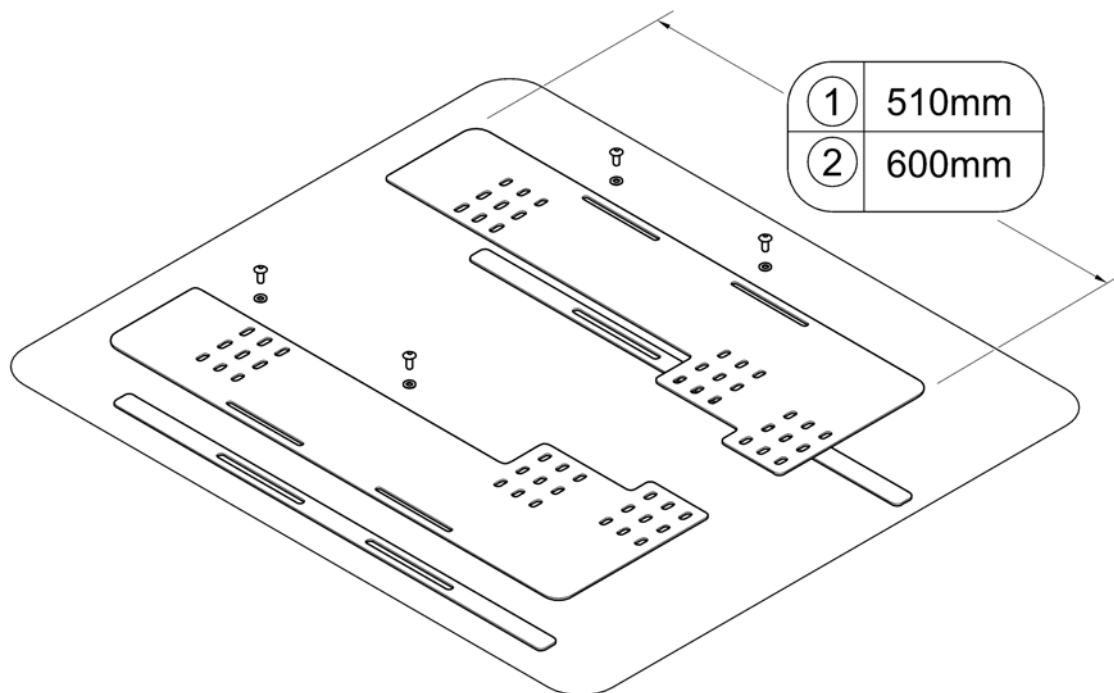
1586221 Rev



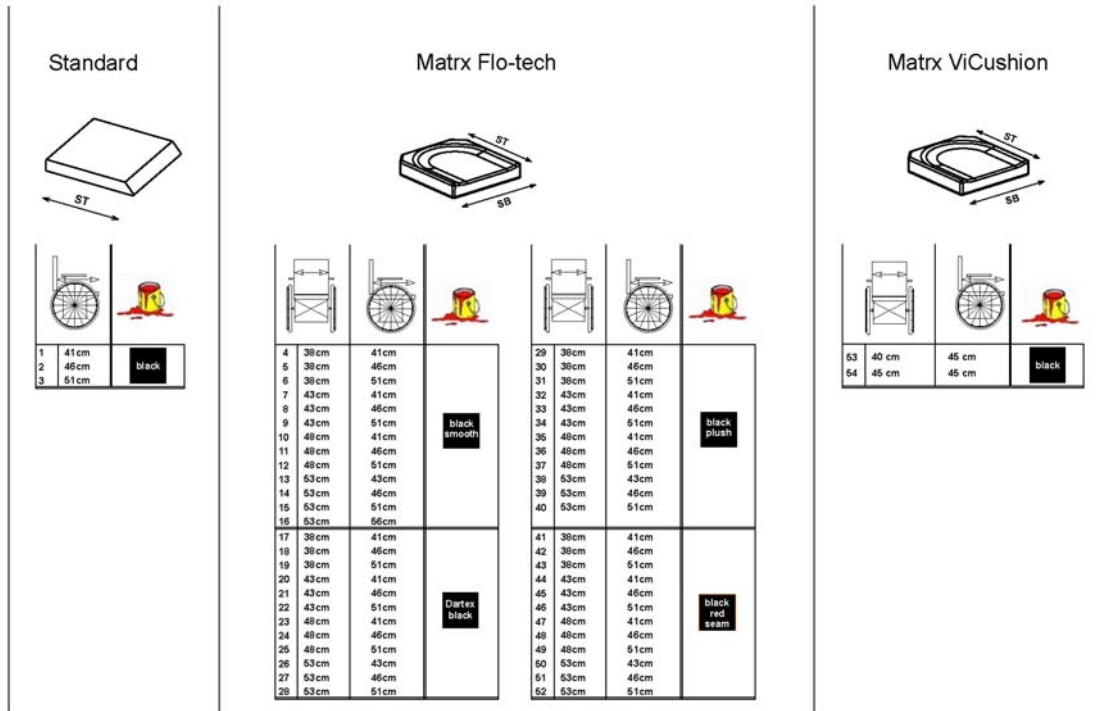
Pos.	Part number	Description	Valid from → until	Qty
2	-	Telescopic Seat Frame for Tilt 30° / Lifter		1
3	-	Armrest bracket		1
4	-	Legrest Support		1
5	-	Adapter Kit for Universal Seat		1

Adapter Kit for Universal Seat

1582430.iso



Pos.	Part number	Description	Valid from → until	Qty
1	SP1580750	Adapter Kit for Universal Seat 510mm		1
2	SP1580759	Adapter Kit for Universal Seat 600mm		1



Pos.	Part number	Description	Valid from → until	Qty
1	1420460	Seat Cushion Standard SD 410mm <i>[2141]</i>		1
2	1420461	Seat Cushion Standard SD 460mm <i>[2141]</i>		1
3	1420462	Seat Cushion Standard SD 510mm <i>[2141]</i>		1
4	SPFLB15/16	Flo-Tech Lite 15x16" <i>[2142+2151]</i>		1
5	SPFLB15/18	Seatcushion Easy-Adapt SB38 x ST46cm black smooth <i>[2142+2151]</i>		1
6	SPFLB15/20	Seatcushion Easy-Adapt SB38 x ST51cm black smooth <i>[2142+2151]</i>		1
7	SPFLB17/16	Seatcushion Easy-Adapt SB43 x ST41cm black smooth <i>[2142+2151]</i>		1
8	SPFLB17/18	Seatcushion Easy-Adapt SB43 x ST46cm black smooth <i>[2142+2151]</i>		1
9	SPFLB17/20	Seatcushion Easy-Adapt SB43 x ST51cm black smooth <i>[2142+2151]</i>		1
10	SPFLB19/16	Seatcushion Easy-Adapt SB48 x ST41cm black smooth <i>[2142+2151]</i>		1
11	SPFLB19/18	Seatcushion Easy-Adapt SB48 x ST46cm black smooth <i>[2142+2151]</i>		1
12	SPFLB19/20	Flo-Tech Lite 19x20" <i>[2142+2151]</i>		1
13	SPFCB21/17	Flo-Tech Contour 21x17" <i>[2142+2151]</i>		1
14	SPFCB21/18	Flo-Tech Contour 21x18" <i>[2142+2151]</i>		1
15	SPFCB21/20	Flo-Tech Contour 21x20" <i>[2142+2151]</i>		1
16	SP1578042	Seatcushion Flo-tech Contour SW53 x SD56cm black <i>[2142+2151]</i>		1
17	SP1529546-TR26	seat cushion Flo-tech Lite SW 38 x SD 41 Dartex black <i>[2142+2152]</i>		1
18	SP1529547-TR26	seat cushion Flo-tech Lite SW 38 x SD 46 Dartex black <i>[2142+2152]</i>		1

Seat Cushion

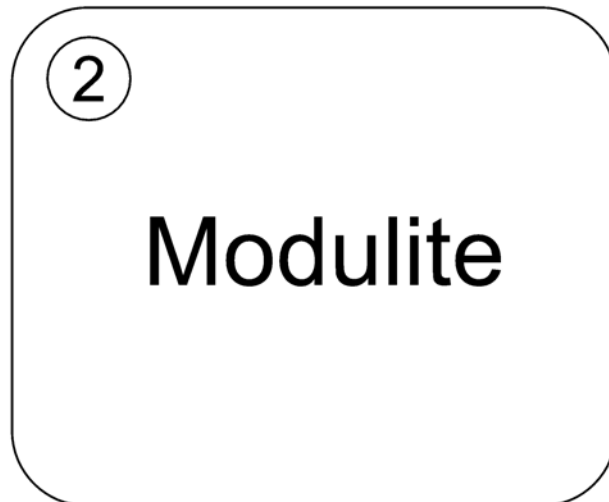
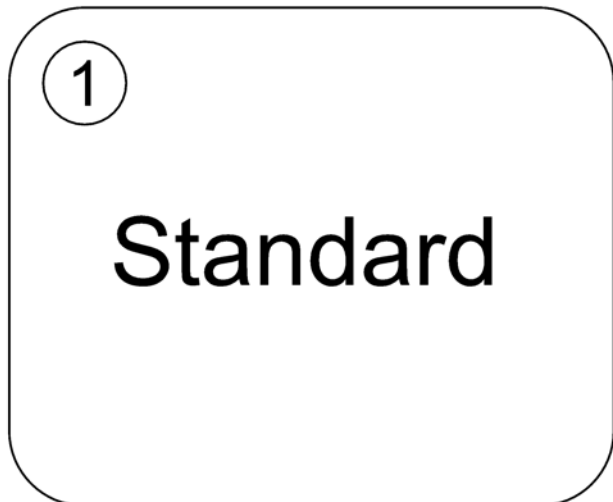
Pos.	Part number	Description	Valid from → until	Qty
19	SP1529548-TR26	seat cushion Flo-tech Lite SW 38 x SD 51 Dartex black <i>[2142+2152]</i>		1
20	SP1529549-TR26	seat cushion Flo-tech Lite SW 43 x SD 41 Dartex black <i>[2142+2152]</i>		1
21	SP1529550-TR26	seat cushion Flo-tech Lite SW 43 x SD 46 Dartex black <i>[2142+2152]</i>		1
22	SP1529551-TR26	seat cushion Flo-tech Lite SW 43 x SD 51 Dartex black <i>[2142+2152]</i>		1
23	SP1529552-TR26	seat cushion Flo-tech Lite SW 48 x SD 41 Dartex black <i>[2142+2152]</i>		1
24	SP1529553-TR26	seat cushion Flo-tech Lite SW 48 x SD 46 Dartex black <i>[2142+2152]</i>		1
25	SP1529554-TR26	seat cushion Flo-tech Lite SW 48 x SD 51 Dartex black <i>[2142+2152]</i>		1
26	SP1529555-TR26	seat cushion Flo-tech Contour SW 53 x SD 43 Dartex black <i>[2142+2152]</i>		1
27	SP1529556-TR26	seat cushion Flo-tech Contour SW 53 x SD 46 Dartex black <i>[2142+2152]</i>		1
28	SP1529570-TR26	seat cushion Flo-tech Contour SW 53 x SD 51 Dartex black <i>[2142+2152]</i>		1
29	SP1529546-TR35	seat cushion Flo-tech Lite SW 38 x SD 41 black chenille fabric <i>[2142+2154]</i>		1
30	SP1529547-TR35	seat cushion Flo-tech Lite SW 38 x SD 46 black chenille fabric <i>[2142+2154]</i>		1
31	SP1529548-TR35	seat cushion Flo-tech Lite SW 38 x SD 51 black chenille fabric <i>[2142+2154]</i>		1
32	SP1529549-TR35	seat cushion Flo-tech Lite SW 43 x SD 41 black chenille fabric <i>[2142+2154]</i>		1
33	SP1529550-TR35	seat cushion Flo-tech Lite SW 43 x SD 46 black chenille fabric <i>[2142+2154]</i>		1
34	SP1529551-TR35	seat cushion Flo-tech Lite SW 43 x SD 51 black chenille fabric <i>[2142+2154]</i>		1
35	SP1529552-TR35	Seat cushion Flo-tech Lite SW 48 x SD 41 black chenille fabric <i>[2142+2154]</i>		1
36	SP1529553-TR35	seat cushion Flo-tech Lite SW 48 x SD 46 black chenille fabric <i>[2142+2154]</i>		1
37	SP1529554-TR35	seat cushion Flo-tech Lite SW 48 x SD 51 black chenille fabric <i>[2142+2154]</i>		1
38	SP1529555-TR35	seat cushion Flo-tech Contour SW 53 X SD 43 black chenille fabric <i>[2142+2154]</i>		1
39	SP1529556-TR35	seat cushion Flo-tech Contour SW 53 x SD 46 black chenille fabric <i>[2142+2154]</i>		1
40	SP1529570-TR35	seat cushion Flo-tech Contour SW 53 x SD 51 black chenille fabric <i>[2142+2154]</i>		1
41	SP1529546	Seatcushion Easy-Adapt SB38 x ST41cm black with red seam <i>[2142+2153]</i>		1
42	SP1529547	Seatcushion Easy-Adapt SB38 x ST46cm black with red seam <i>[2142+2153]</i>		1
43	SP1529548	Seatcushion Easy-Adapt SB38 x ST51cm black with red seam <i>[2142+2153]</i>		1
44	SP1529549	Seatcushion Easy-Adapt SB43 x ST41cm black with red seam <i>[2142+2153]</i>		1
45	SP1529550	Seatcushion Easy-Adapt SB43 x ST46cm black with red seam <i>[2142+2153]</i>		1
46	SP1529551	Seatcushion Easy-Adapt SB43 x ST51cm black with red seam <i>[2142+2153]</i>		1
47	SP1529552	Seatcushion Easy-Adapt SB48 x ST41cm black with red seam <i>[2142+2153]</i>		1
48	SP1529553	Seatcushion Easy-Adapt SB48 x ST46cm black with red seam <i>[2142+2153]</i>		1
49	SP1529554	Seatcushion Easy-Adapt SB48 x ST51cm black with red seam <i>[2142+2153]</i>		1
50	SP1529555	Seatcushion Easy-Adapt SB53 x ST43cm black with red seam <i>[2142+2153]</i>		1

Seat Cushion

Pos.	Part number	Description	Valid from → until	Qty
51	SP1529556	Seatcushion Easy-Adapt SB53 x ST46cm black with red seam <i>[2142+2153]</i>		1
52	SP1529570	Seatcushion Easy-Adapt SB53 x ST51cm black with red seam <i>[2142+2153]</i>		1
53	SP1531760	Seat Cushion MatrX Vi SW 40 x SD 45cm (16" x 18") <i>[2144]</i>		1
54	SP1531761	Seat Cushion MatrX Vi SW 45 x SD 45cm (18" x 18") <i>[2144]</i>		1
55	SP1501113	Seat Cushion Flo-tech Contur Visco 43x43cm <i>[2143]</i>		1

Backrest

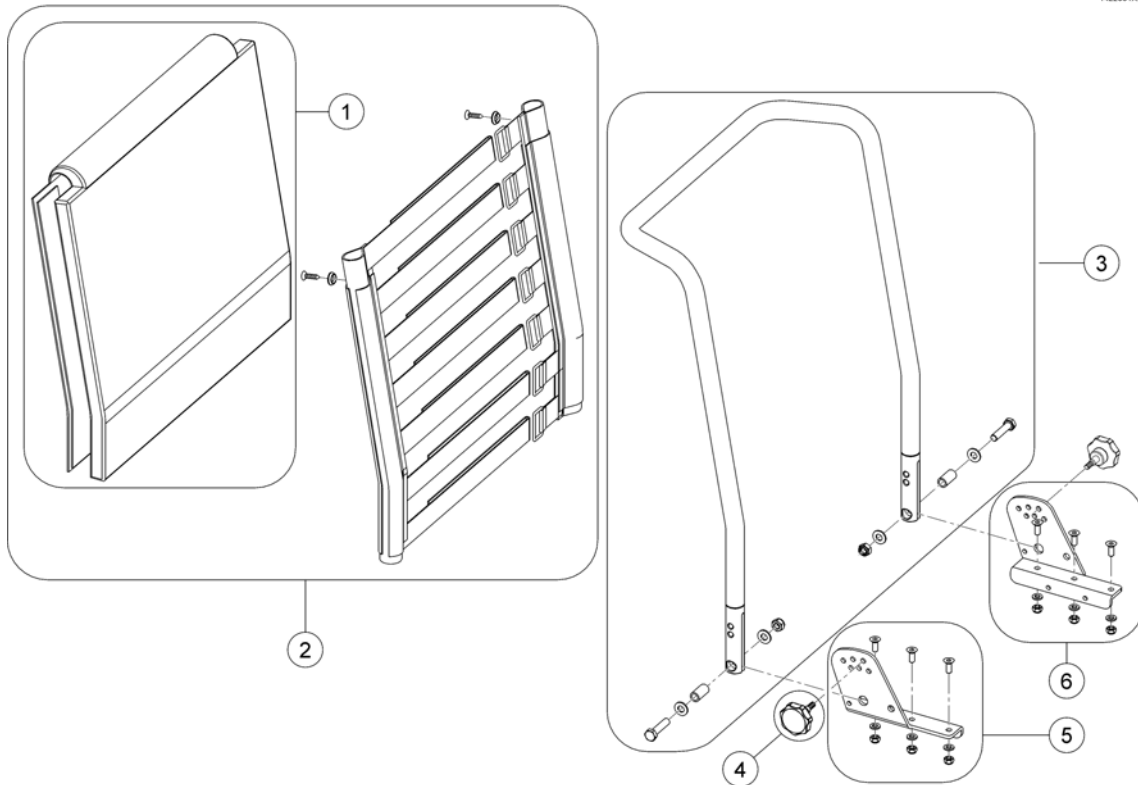
SPCM4125.iso



Pos.	Part number	Description	Valid from → until	Qty
1	-	Backrest Standard Seat, settable		1
2	-	Backrest for Modulite Seat		1

Backrest Standard Seat, settable

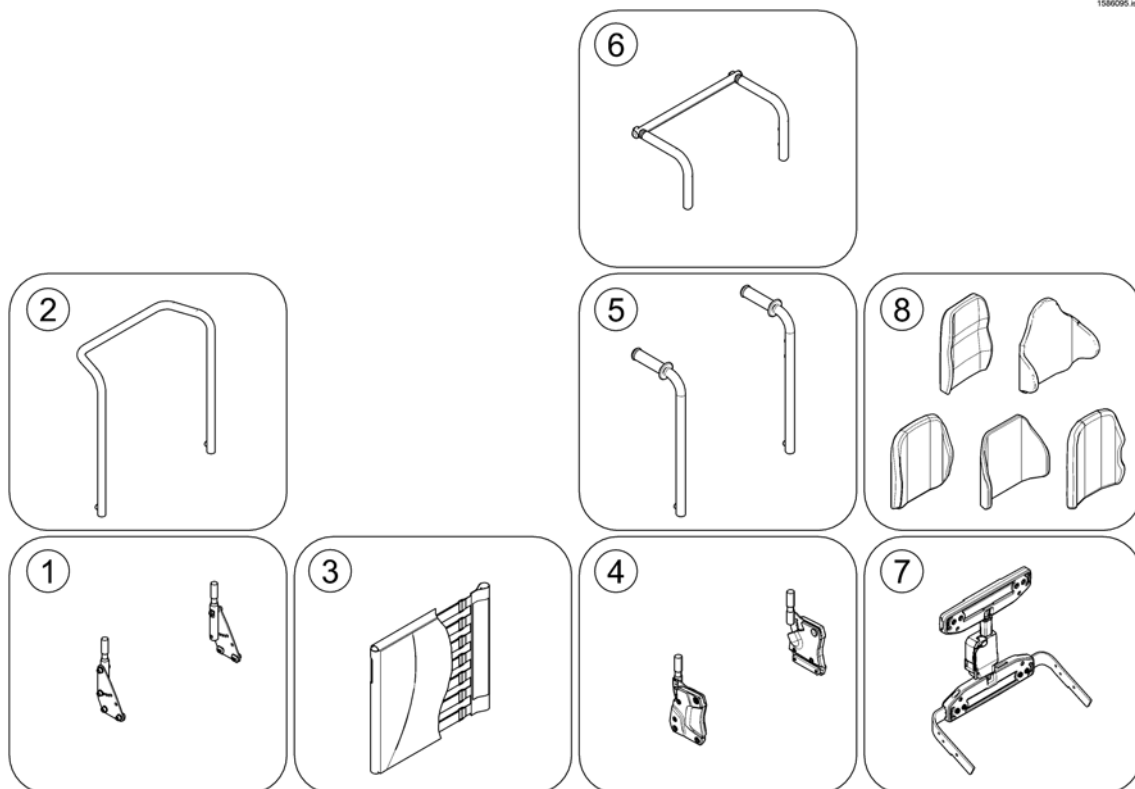
1422061X.iso



Pos.	Part number	Description	Valid from → until	Qty
1	1420445	Backrest upholstery, 480mm		1
1	1420452	Backrest upholstery, 540mm		1
2	1422062	Sling Back with Backrest upholstery 480 mm		1
2	1422063	Sling Back with Backrest upholstery 540mm		1
3	SP1419996	Backrest Frame 48cm height		1
3	SP1420465	Backrest Frame 54cm height		1
4	SP1420444	Star Grip M8		1
5	SP1541567	Backrest bracket RH		1
6	SP1541568	Backrest bracket LH		1

Backrest for Modulite Seat

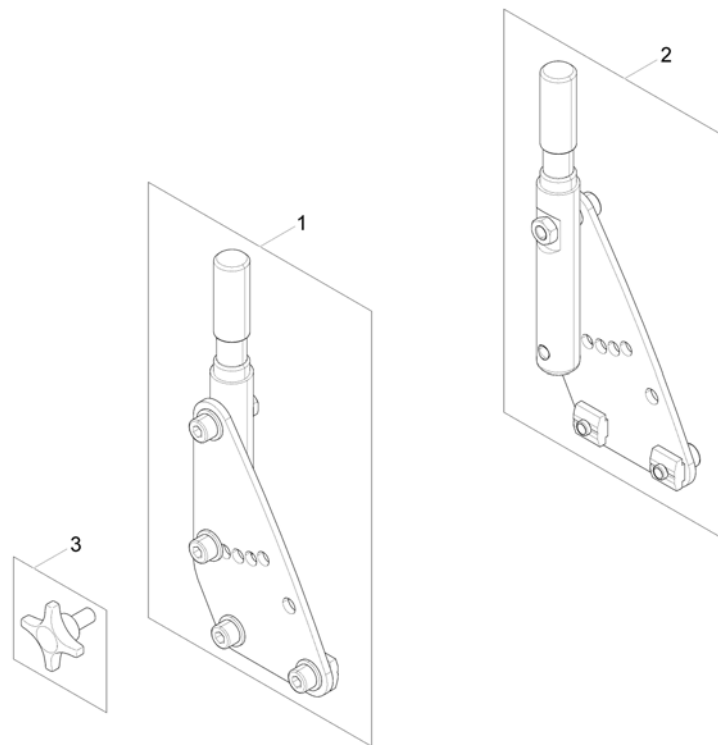
1586095.000



Pos.	Part number	Description	Valid from → until	Qty
1	-	Support for Backrest Frame		1
2	-	Backrest Frame		1
3	-	Sling Back, tension adjustable [2171]		1
4	-	Backrest support		1
5	-	Backposts [2162/2163]		1
6	-	Connection tube		1
7	-	Back Recliner / Stabilization bracket [0977]		1
8	-	Backrest Cushions [2172/2173/2174/2175/2176/2177/2178]		1

Support for Backrest Frame

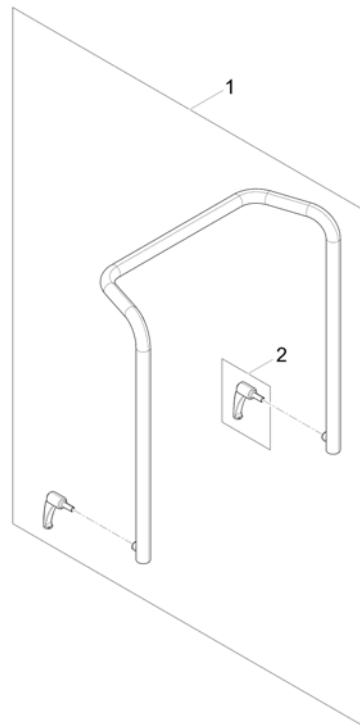
1571553.sp



Pos.	Part number	Description	Valid from → until	Qty
1	SP1571542	Backrest Support RH		1
2	SP1571553	Backrest Support LH		1
3	5824117	hand wheel M8x15 <i>(only swedish homologation)</i>		2

Backrest Frame

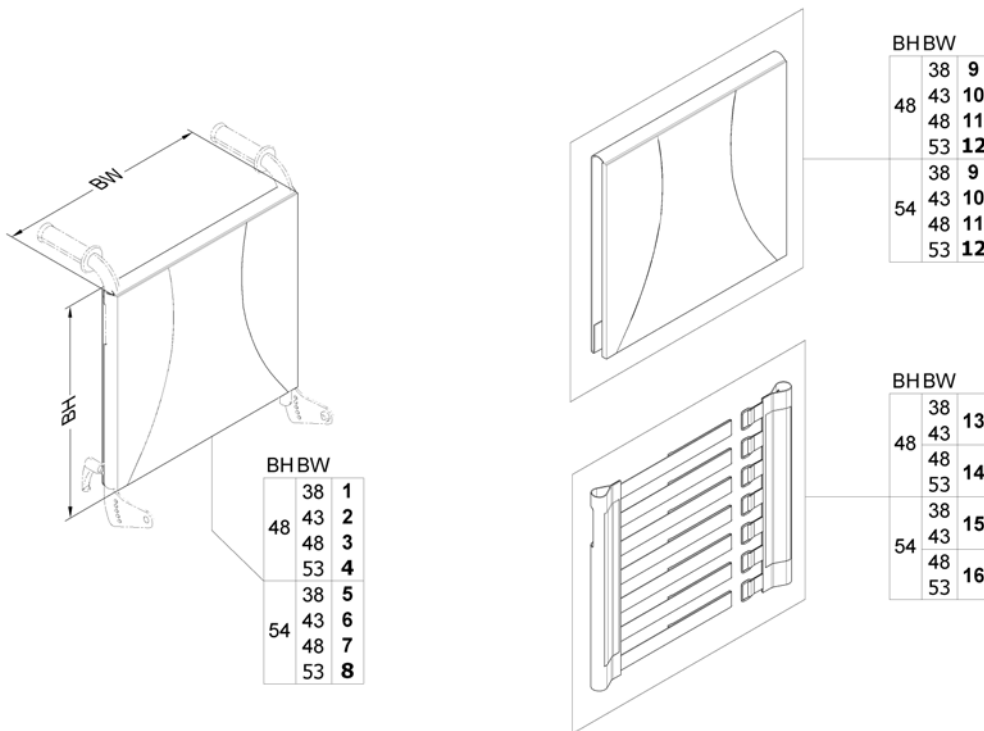
1571831.00



Pos.	Part number	Description	Valid from → until	Qty
1	SP1567810	Backrest Frame		1
2	0021-70002	Indexable lever 63mm M8x16		1

Sling Back, tension adjustable

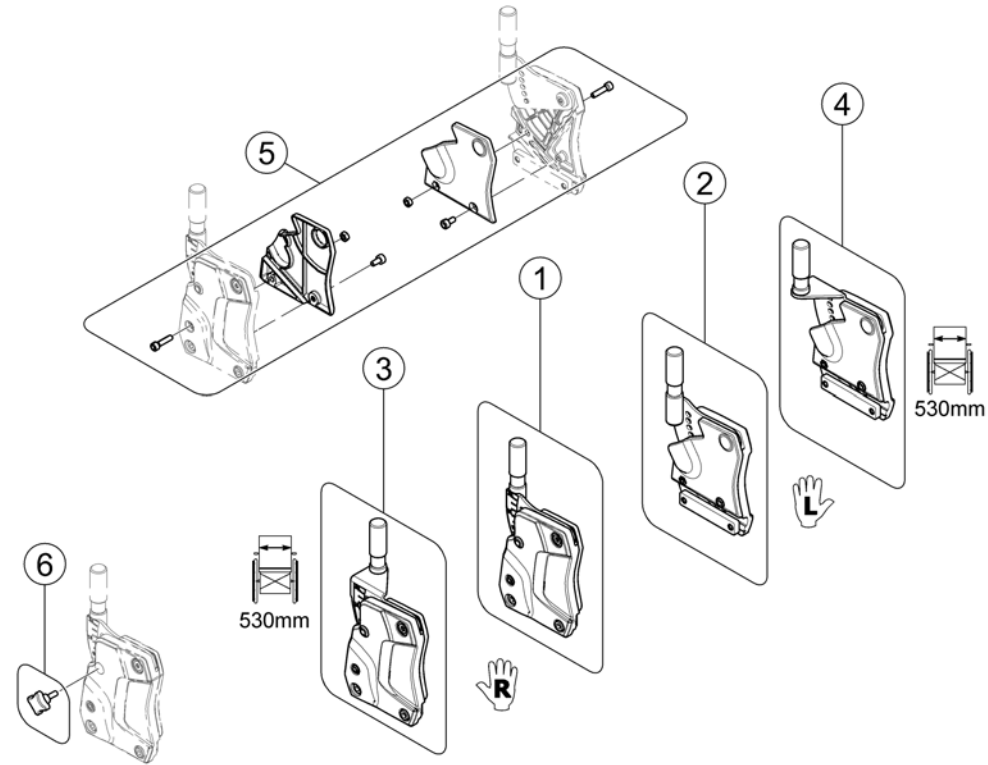
1571829.indd



Pos.	Part number	Description	Valid from → until	Qty
1	SP1567529	Sling Back, tension adjustable & Upholstery, BW 380mm / BH 480mm, cpl.		1
2	SP1567465	Sling Back, tension adjustable & upholstery, BW 430mm / BH 480mm, cpl.		1
3	SP1567530	Sling Back, tension adjustable & upholstery, BW 480mm / BH 480mm, cpl.		1
4	SP1567531	Sling Back, tension adjustable & upholstery, BW 530mm / BH 480mm, cpl.		1
5	SP1567627	Sling Back, tension adjustable & upholstery, BW 380mm / BH 540mm, cpl.		1
6	SP1567746	Sling Back, tension adjustable & upholstery, BW 430mm / BH 540mm, cpl.		1
7	SP1567747	Sling Back, tension adjustable & upholstery, BW 480mm / BH 540mm, cpl.		1
8	SP1567748	Sling Back, tension adjustable & upholstery, BW 530mm / BH 540mm, cpl.		1
9	SP1563563	Backrest upholstery		1
10	SP1563653	Backrest upholstery		1
11	SP1563654	Backrest upholstery		1
12	SP1563655	Backrest upholstery		1
13	SP1571492	Sling back		1
14	SP1571493	Sling back		1
15	SP1571494	Sling back		1
16	SP1571510	Sling back		1

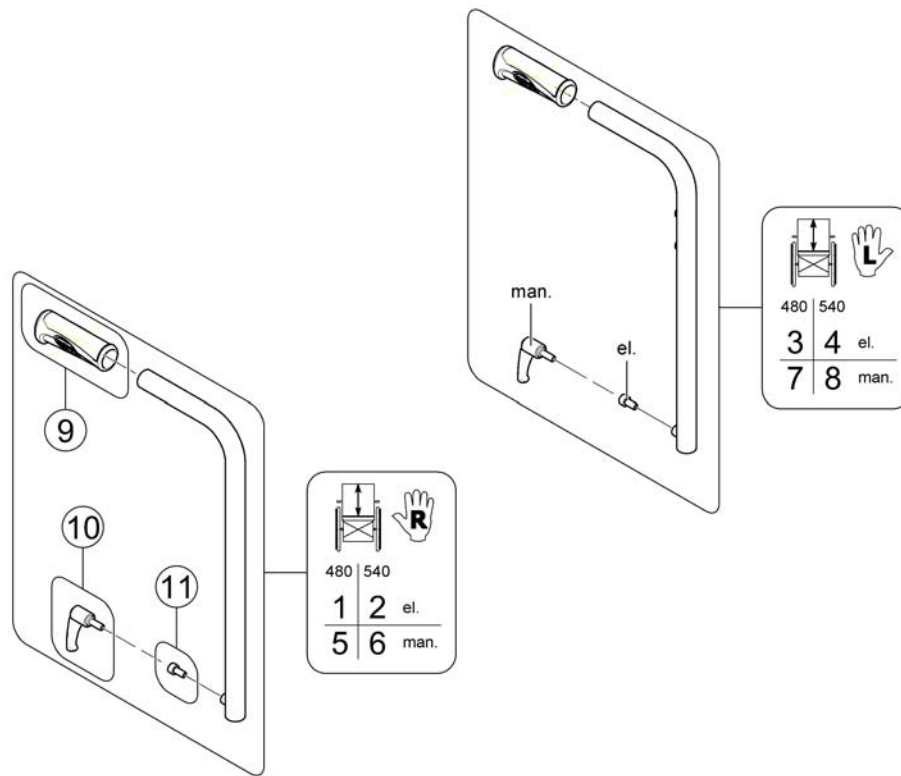
Backrest support

1572928 Rev



Pos.	Part number	Description	Valid from → until	Qty
1	SP1582709	Backrest Support - RH <i>Compatible with Flip-Up & Following Armrest [2193/2192/2194] - replaces SP1571560</i>		1
2	SP1582708	Backrest Support - LH <i>Compatible with Flip-Up & Following Armrest [2193/2192/2194] - replaces SP1571561</i>		1
3	SP1582952	Backrest Support SW 530mm - RH <i>Compatible with Flip-Up & Following Armrest [2193/2192/2194] - replaces SP1571568</i>		1
4	SP1582951	Backrest Support SW 530mm - LH <i>Compatible with Flip-Up & Following Armrest [2193/2192/2194] - replaces SP1571569</i>		1
5	SP1571676	Cover		1
6	SP1579877	Hand Screw M6 <i>(Swedish Homologation only!)</i>	→ 2015-07-31	2
6	SP1589324	Cross handle M8, cpl. <i>(Swedish Homologation only!)</i>	2015-08-01 →	2

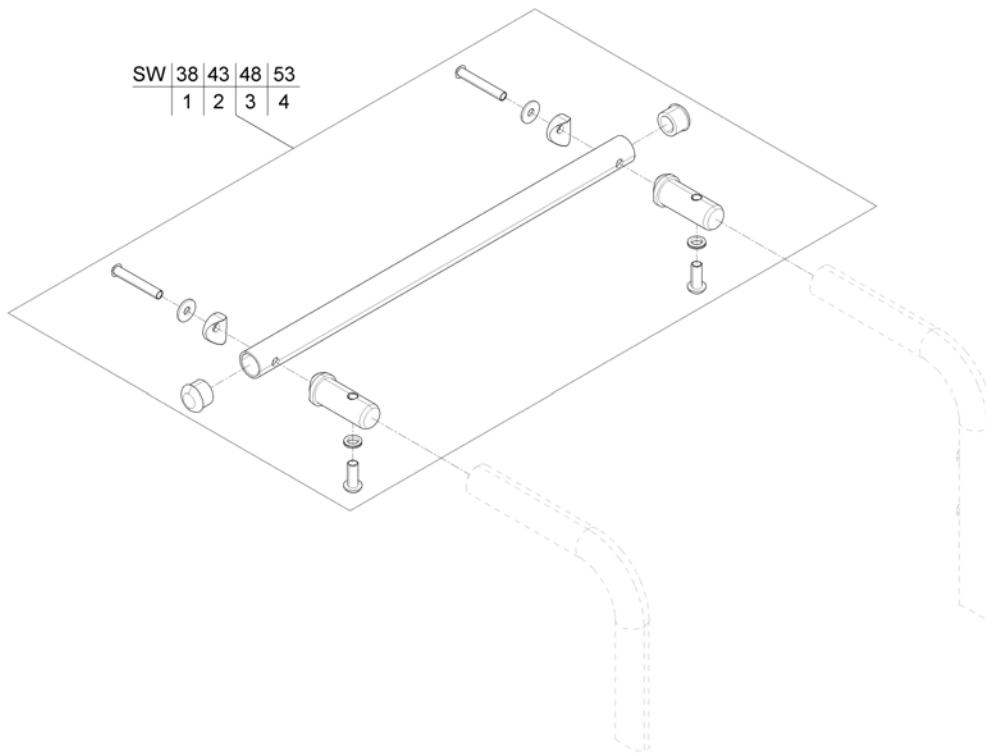
Backposts



Pos.	Part number	Description	Valid from → until	Qty
1	SP1587177	Backpost el. BH 480mm - RH <i>Compatible with Flip-Up & Following Armrest [2193/2192/2194] - replaces SP1563102</i>		1
2	SP1587184	Backpost el. BH 540mm - RH <i>Compatible with Flip-Up & Following Armrest [2193/2192/2194] - replaces SP1563103</i>		1
3	SP1587176	Backpost el. BH 480mm - LH <i>Compatible with Flip-Up & Following Armrest [2193/2192/2194] - replaces SP1560576</i>		1
4	SP1587183	Backpost el. BH 540mm - LH <i>Compatible with Flip-Up & Following Armrest [2193/2192/2194] - replaces SP1559578</i>		1
5	SP1587163	Backpost man. BH 480mm - RH <i>Compatible with Flip-Up & Following Armrest [2193/2192/2194] - replaces SP1572489</i>		1
6	SP1587182	Backpost man. BH 540mm - RH <i>Compatible with Flip-Up & Following Armrest [2193/2192/2194] - replaces SP1572490</i>		1
7	SP1587162	Backpost man. BH 480mm - LH <i>Compatible with Flip-Up & Following Armrest [2193/2192/2194] - replaces SP1572491</i>		1
8	SP1587178	Backpost man. BH 540mm - LH <i>Compatible with Flip-Up & Following Armrest [2193/2192/2194] - replaces SP1572492</i>		1
9	SP1586122	Handles (pair) <i>replaces item SP1563651</i>		1
10	0021-70002	Indexable lever 63mm M8x16		1
11	1567999	Bolt M8x16 8.8 black DIN912		1

Connection tube

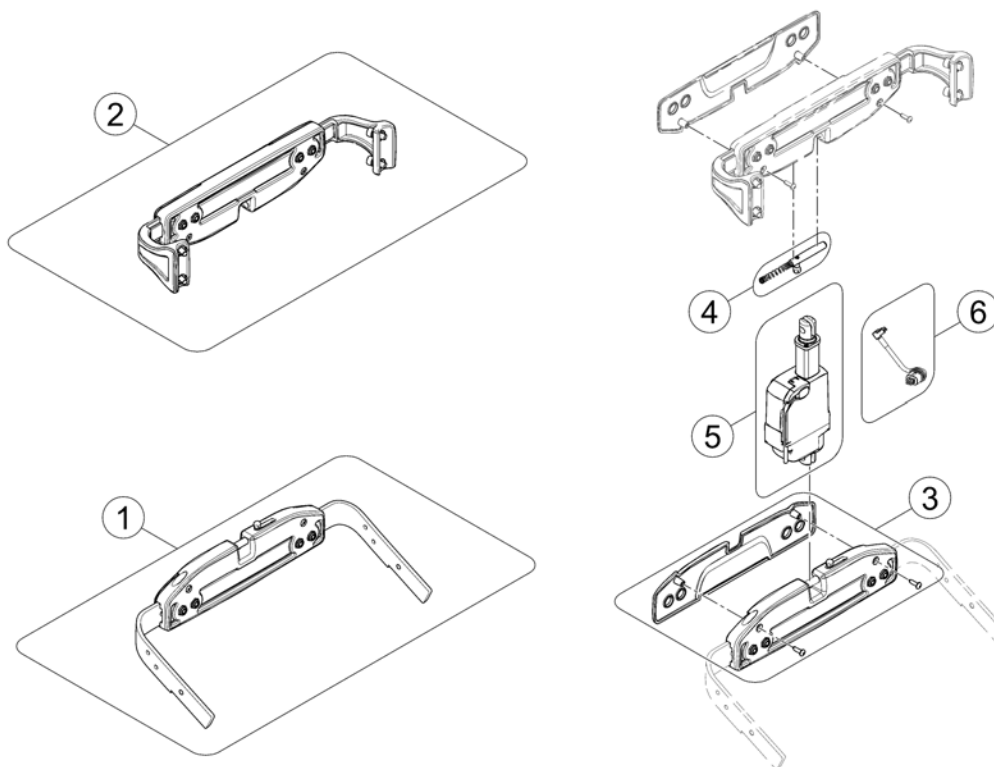
1571835 no



Pos.	Part number	Description	Valid from → until	Qty
1	SP1570370	Connection tube		1
2	SP1570371	Connection tube		1
3	SP1570372	Connection tube		1
4	SP1570373	Connection tube		1

Back Recliner / Stabilization bracket

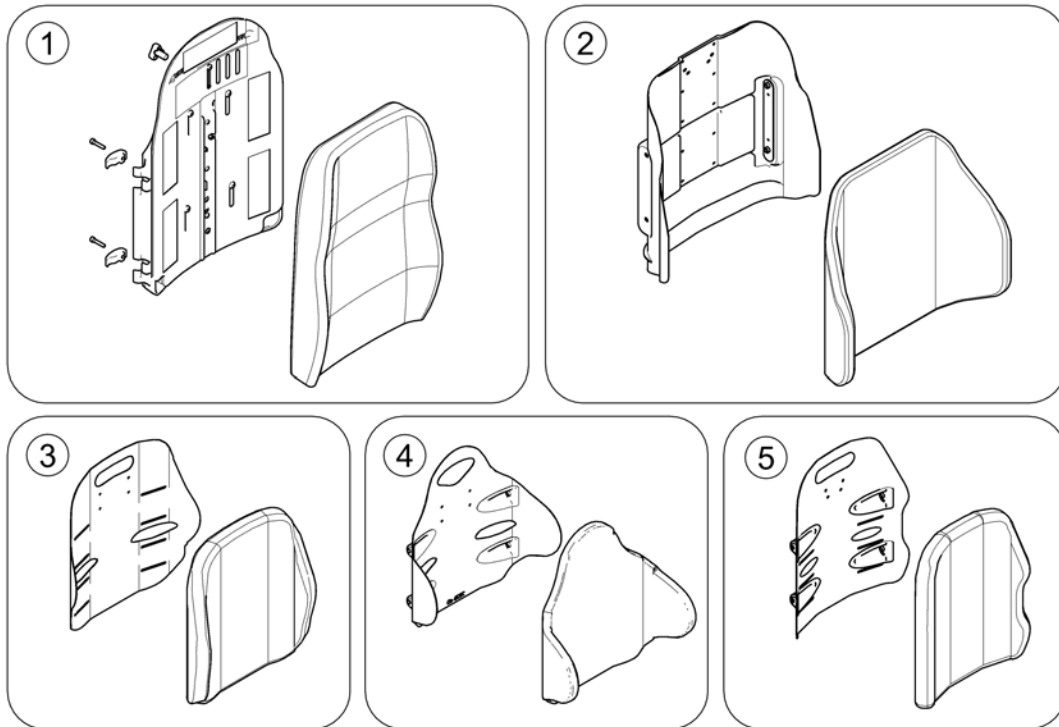
1571097.kim



Pos.	Part number	Description	Valid from → until	Qty
1	SP1567169	Actuator bracket (pre set to SW 43cm)		1
2	SP1567168	Stabilization bracket (pre set to SW 43cm)		1
3	SP1571702	Cover		1
4	SP1571704	Locking bolt		1
5	SP1557820	Actuator		1
6	SP1572166	Actuator Cable LA23 ACS2 (~950mm)		1

Backrest Cushions

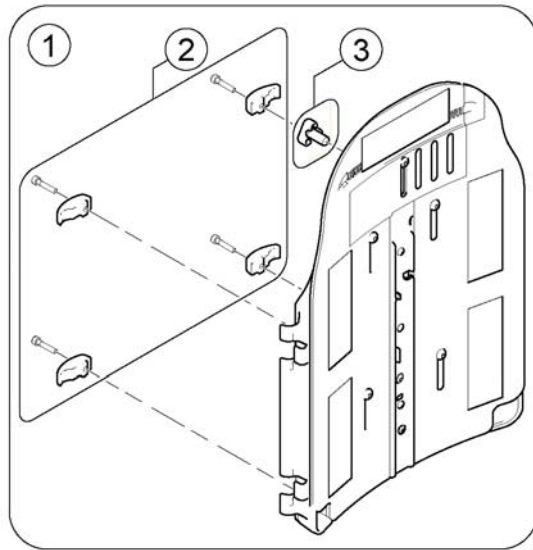
1588915.iss



Pos.	Part number	Description	Valid from → until	Qty
1	-	Flex 3 / Laguna		1
2	-	Matrx Posture Back		1
3	-	Matrx Elite T/R Back	2015-07-01 →	1
4	-	Matrx Elite Deep Back	2015-07-01 →	1
5	-	Matrx Elite (Full) Back		1

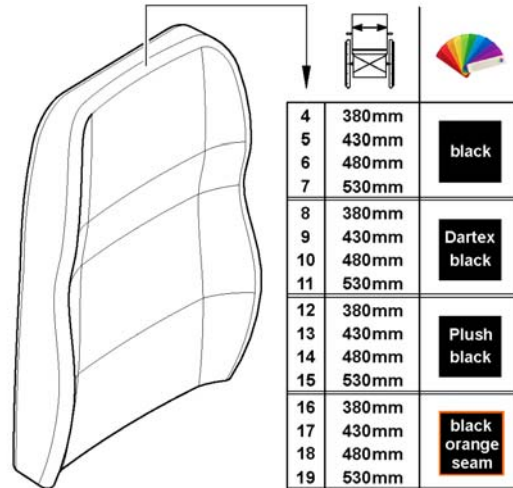
Flex 3 / Laguna

1573106.mw



Flex 3

Laguna



Pos.	Part number	Description	Valid from → until	Qty
1	SP1568489	Flex3 backrest plate <i>[2172]</i>		1
2	SP1572321	Clamps		1
3	1497411	HANDWHEEL M12 LONG NECK/HEADREST		1
4	SP1529585	Backrest Cushion Laguna / EasyAdapt, black - SW 380mm <i>[2173+2151]</i>		1
5	SP1529586	Backrest Cushion Laguna / EasyAdapt, black - SW 430mm <i>[2173+2151]</i>		1
6	SP1529587	Backrest Cushion Laguna / EasyAdapt, black - SW 480mm <i>[2173+2151]</i>		1
7	SP1529596	Backrest Cushion Laguna / EasyAdapt, black - SW 530mm <i>[2173+2151]</i>		1
8	SP1529538-TR26	Backrest Cushion Laguna / EasyAdapt, Dartex black - SW 380mm <i>[2173+2152]</i>		1
9	SP1529539-TR26	Backrest Cushion Laguna / EasyAdapt, Dartex black - SW 430mm <i>[2173+2152]</i>		1
10	SP1529540-TR26	Backrest Cushion Laguna / EasyAdapt, Dartex black - SW 480mm <i>[2173+2152]</i>		1
11	SP1529545-TR26	Backrest Cushion Laguna / EasyAdapt, Dartex black - SW 530mm <i>[2173+2152]</i>		1
12	SP1529538-TR35	Backrest Cushion Laguna, Plush black - SW 380mm <i>[2173+2154]</i>		1
13	SP1529539-TR35	Backrest Cushion Laguna, Plush black - SW 430mm <i>[2173+2154]</i>		1
14	SP1529540-TR35	Backrest Cushion Laguna, Plush black - SW 480mm <i>[2173+2154]</i>		1
15	SP1529545-TR35	Backrest Cushion Laguna, Plush black - SW 530mm <i>[2173+2154]</i>		1
16	SP1529538	Backrest Cushion Laguna / EasyAdapt, black with orange seam - SW 380mm <i>[2173+2153]</i>		1
17	SP1529539	Backrest Cushion Laguna / EasyAdapt, black with orange seam - SW 430mm <i>[2173+2153]</i>		1
18	SP1529540	Backrest Cushion Laguna / EasyAdapt, black with orange seam - SW 480mm <i>[2173+2153]</i>		1

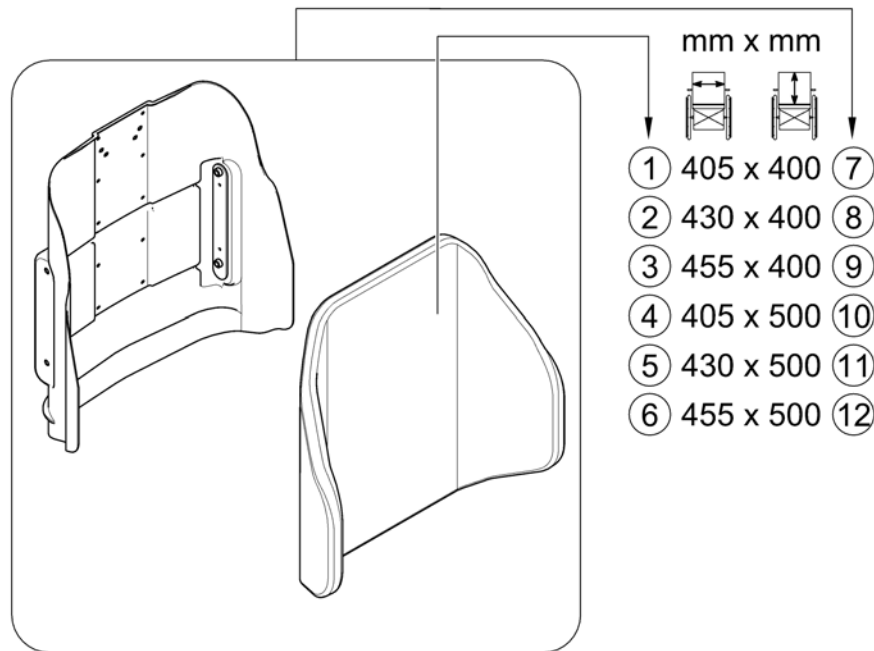
Flex 3 / Laguna

Pos.	Part number	Description	Valid from → until	Qty
19	SP1529545	Backrest Cushion Laguna / EasyAdapt, black with orange seam - SW 530mm [2173+2153]		1

Matrx Posture Back

158885 no

Posture Back

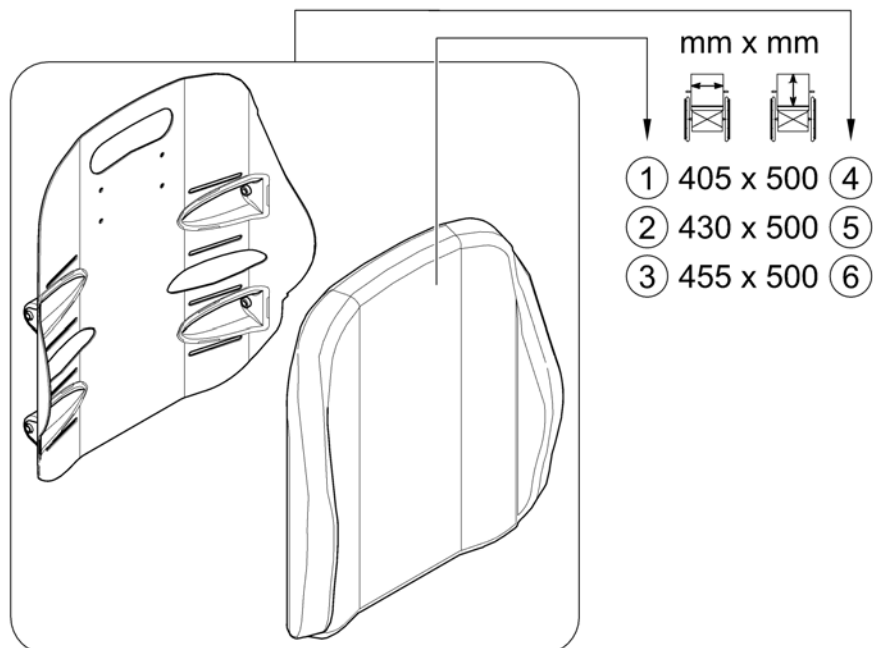


Pos.	Part number	Description	Valid from → until	Qty
1	SPTRS0139-1616	Backrest Cushion - Posture Back 405x400mm (16x16")		1
2	SPTRS0139-1716	Backrest Cushion - Posture Back 430x400mm (17x16")		1
3	SPTRS0139-1816	Backrest Cushion - Posture Back 455x400mm (18x16")		1
4	1544897	Backrest Cushion - Posture Back 405x500mm (16x20")		1
5	SPTRS0139-1720	Backrest Cushion - Posture Back 430x500mm (17x20")		1
6	SPTRS0139-1820	Backrest Cushion - Posture Back 455x500mm (18x20")		1
7	SP1531762	Backrest, Matrx Posture Back 16x16", cpl. [2174]		1
8	SP1531792	Backrest, Matrx Posture Back 17x16", cpl. [2174]		1
9	SP1531822	Backrest, Matrx Posture Back 18x16", cpl. [2174]		1
10	SP1531763	Backrest, Matrx Posture Back 16x20", cpl. [2175]		1
11	SP1531793	Backrest, Matrx Posture Back 17x20", cpl. [2175]		1
12	SP1531823	Backrest, Matrx Posture Back 18x20", cpl. [2175]		1

Matrx Elite T/R Back

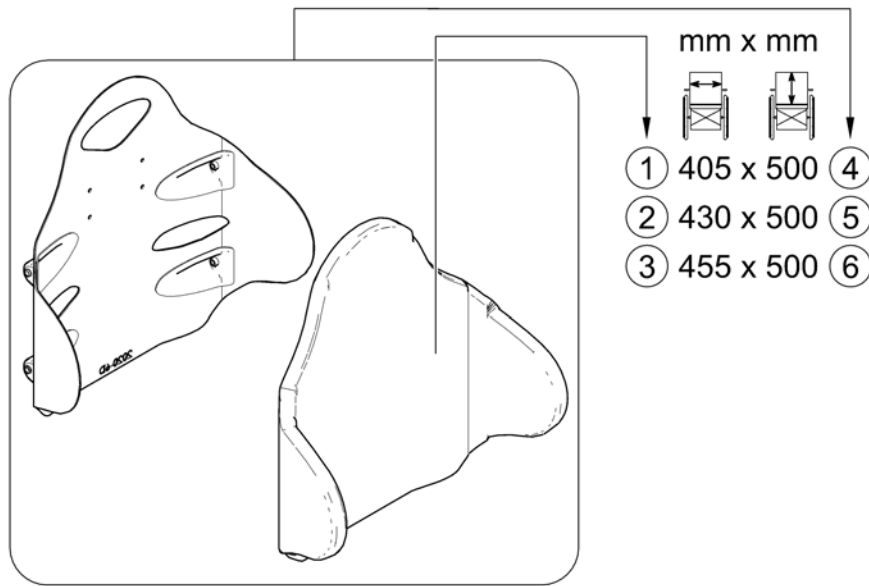
1588006 Rev

Elite T/R Back



Pos.	Part number	Description	Valid from → until	Qty
1	SPTRS0375-1620	Backrest Cushion - Elite T/R Back 405x500mm (16x20")		1
2	SPTRS0375-1720	Backrest Cushion - Elite T/R Back 430x500mm (17x20")		1
3	SPTRS0375-1820	Backrest Cushion - Elite T/R Back 455x500mm (18x20")		1
4	SP1588270	Backrest, Matrx Elite T/R Back 16x20", cpl. [2177+2121]		1
5	SP1588271	Backrest, Matrx Elite T/R Back 17x20", cpl. [2177+2122]		1
6	SP1588272	Backrest, Matrx Elite T/R Back 18x20", cpl. [2177+2123]		1

Elite Deep Back

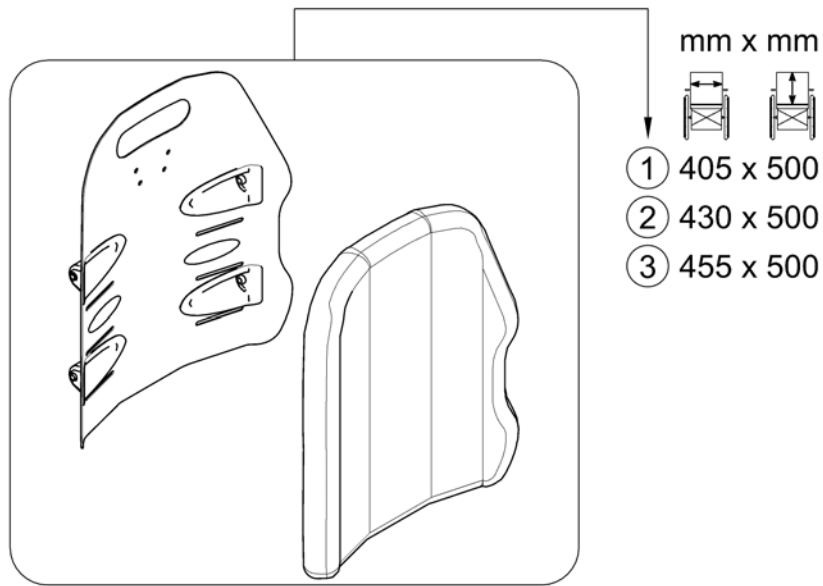


Pos.	Part number	Description	Valid from → until	Qty
1	SPTRS0344-1620	Backrest Cushion - Elite Deep Back 405x500mm (16x20")		1
2	SPTRS0344-1720	Backrest Cushion - Elite Deep Back 430x500mm (17x20")		1
3	SPTRS0344-1820	Backrest Cushion - Elite Deep Back 455x500mm (18x20")		1
4	SP1588273	Backrest, Matrx Elite Deep Back 16x20", cpl. [2178+2121]		1
5	SP1588274	Backrest, Matrx Elite Deep Back 17x20", cpl. [2178+2122]		1
6	SP1588275	Backrest, Matrx Elite Deep Back 18x20", cpl. [2178+2123]		1

Matrx Elite (Full) Back

1588714.00

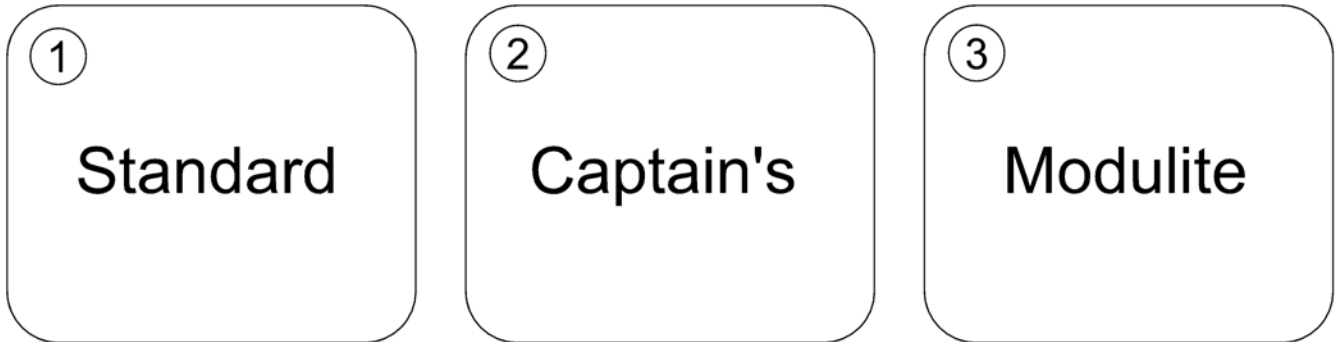
Elite Full Back



Pos.	Part number	Description	Valid from → until	Qty
1	SP1531824	Backrest, Matrx Elite (Full) Back 16x20", cpl. [2176]		1
2	SP1531831	Backrest, Matrx Elite (Full) Back 17x20", cpl. [2176]		1
3	SP1531832	Backrest, Matrx Elite (Full) Back 18x20", cpl. [2176]		1

Legrests

SPCM4120.iso



Pos.	Part number	Description	Valid from → until	Qty
1	-	Legrests for Standard Seat		1
2	-	Legrests for Captain's Seat		1
3	-	Legrests for Modulite Seat		1

Legrests for Standard Seat

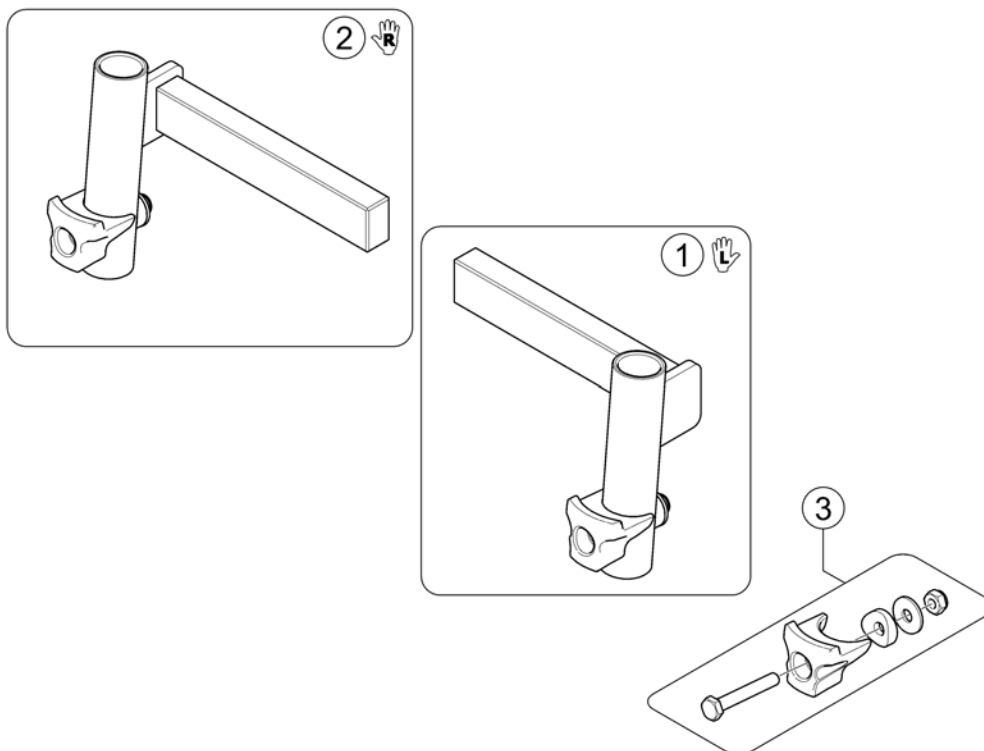
Pos.	Part number	Description	Valid from → until	Qty
-		Legrest 80° & man. adjustable		1
-		Footboard		1

Legrest 80° & man. adjustable

Pos.	Part number	Description	Valid from → until	Qty
-		Legrest Support, 80° & man. elevating - Standard & Modulite Seat		1
-		Hanger, Std. 80° (01.07.15 =>)		1
-		Hanger, Std. 80° (=> 30.06.15)		1
-		Hanger, manually height adjustable		1
-		Footplate, fixed 80°		1
-		Footplate, depth-, angleadjustable, 80°		1
-		Amputee Support		1

Legrest Support, 80° & man. elevating - Standard & Modulite Seat

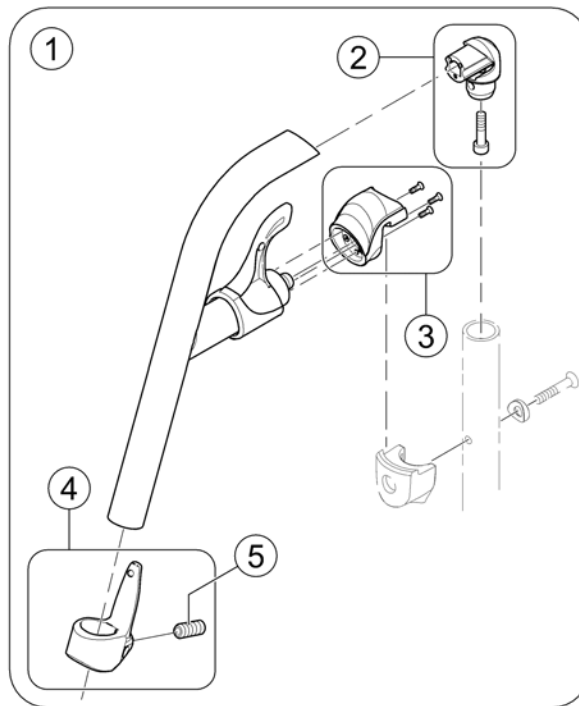
1441526PAC.iss



Pos.	Part number	Description	Valid from → until	Qty
1	SP1531195	Legrest support, cpl. - LH <i>We recommend to exchange the hangers by pairs for products built before 01.01.12, because of new design.</i>	2015-07-01 →	1
2	SP1531196	Legrest support, cpl. - RH <i>We recommend to exchange the hangers by pairs for products built before 01.01.12, because of new design.</i>	2015-07-01 →	1
3	SP1589136	Kit, Support Nose	→ 2015-06-30	1
3	SP1588726	Kit, Support Nose	2015-07-01 →	1

Hanger, Std. 80° (01.07.15 =>)

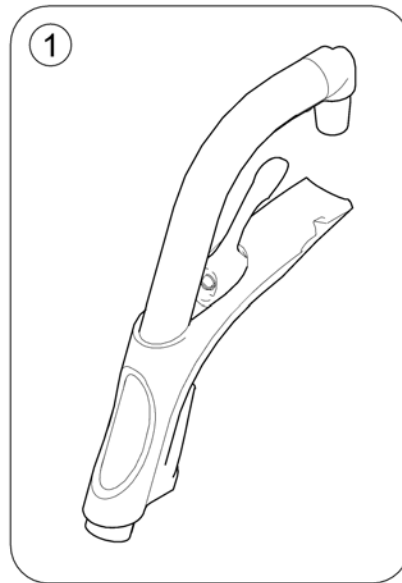
1588852.000



Pos.	Part number	Description	Valid from → until	Qty
1	SP1574349-9005	Hanger Standard 80° cpl. - black		1
2	SP1588727	Kit, Pivot Std. 80° Hanger		1
3	SP1588731	Nose locking Kit		1
4	SP1588730	Calf Strap Holder, cpl.		1
5	1424571	Screw stop M10x23		1

Hanger, Std. 80° (=> 30.06.15)

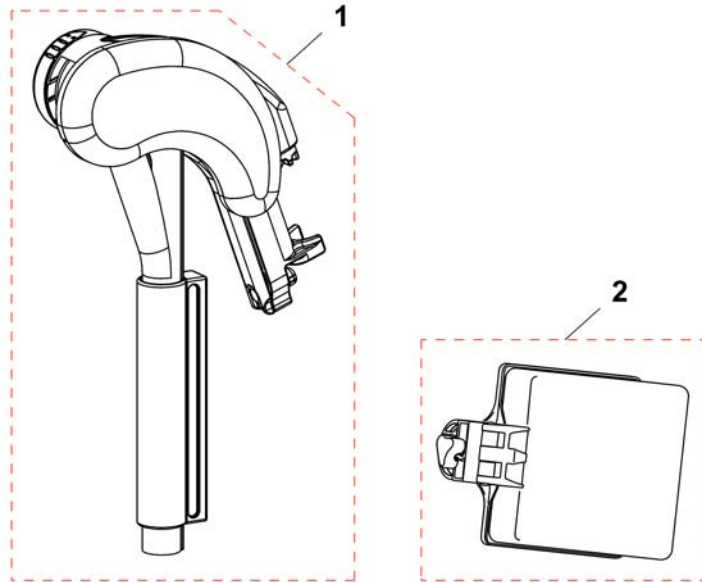
1493054PAC.km



Pos.	Part number	Description	Valid from → until	Qty
1	SP1493055	Hanger 80°, Fixed		1

Hanger, manually height adjustable

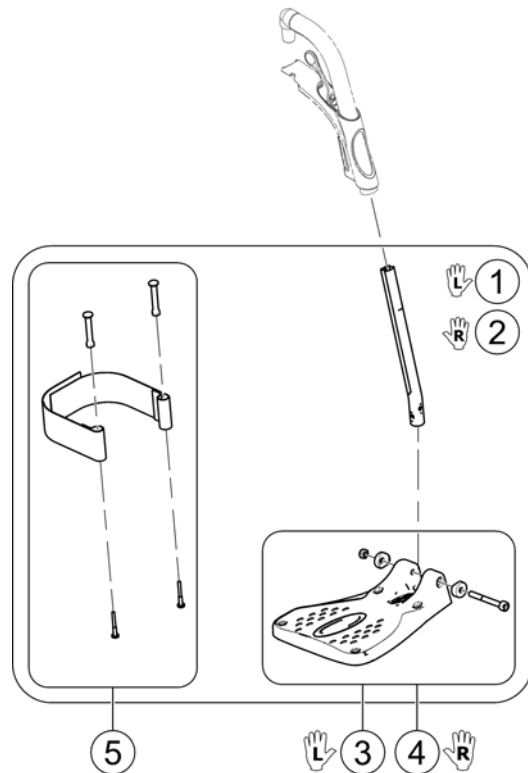
1513006.dwg



Pos.	Part number	Description	Valid from → until	Qty
1	1513006	HANGER ALU2008, AA, RIGHT, CPL		1
1	1513007	HANGER ALU2008, AA, LEFT, CPL		1
2	1516314	CALF PAD 15 (165x170x80), CPL		1
2	1518532	Calfpad, 19", Dartex black, cpl.		1

Footplate, fixed 80°

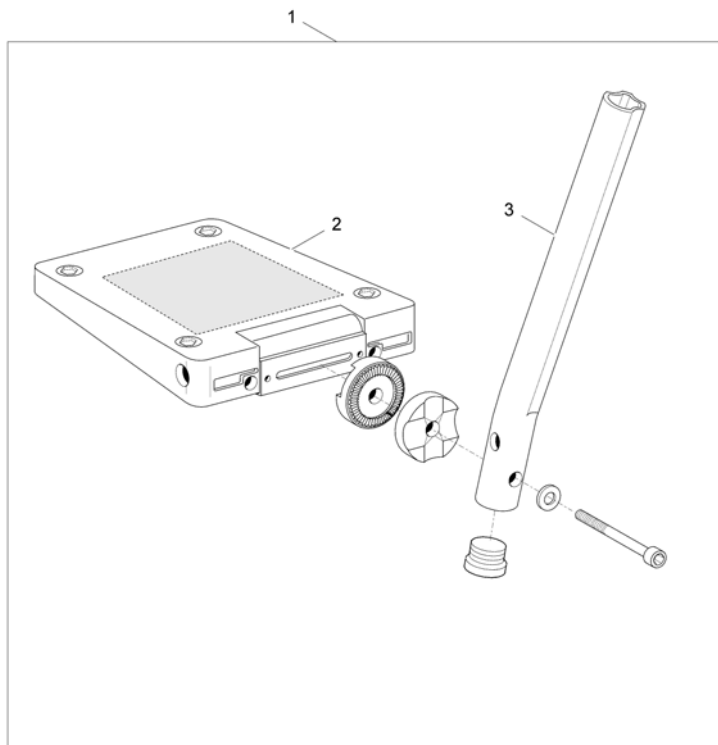
1588087.joo



Pos.	Part number	Description	Valid from → until	Qty
1	SP1537943	Footplate LH fixed angle with Support Tube, cpl.38-40,5cm		1
2	SP1537941	Footplate RH fixed angle with Support Tube, cpl.38-40,5cm		1
3	SP1529643	Footplate LH		1
4	SP1529642	Footplate RH		1
5	SP1442467	Heel Strap cpl.		1

Footplate, depth-, angledadjustable, 80°

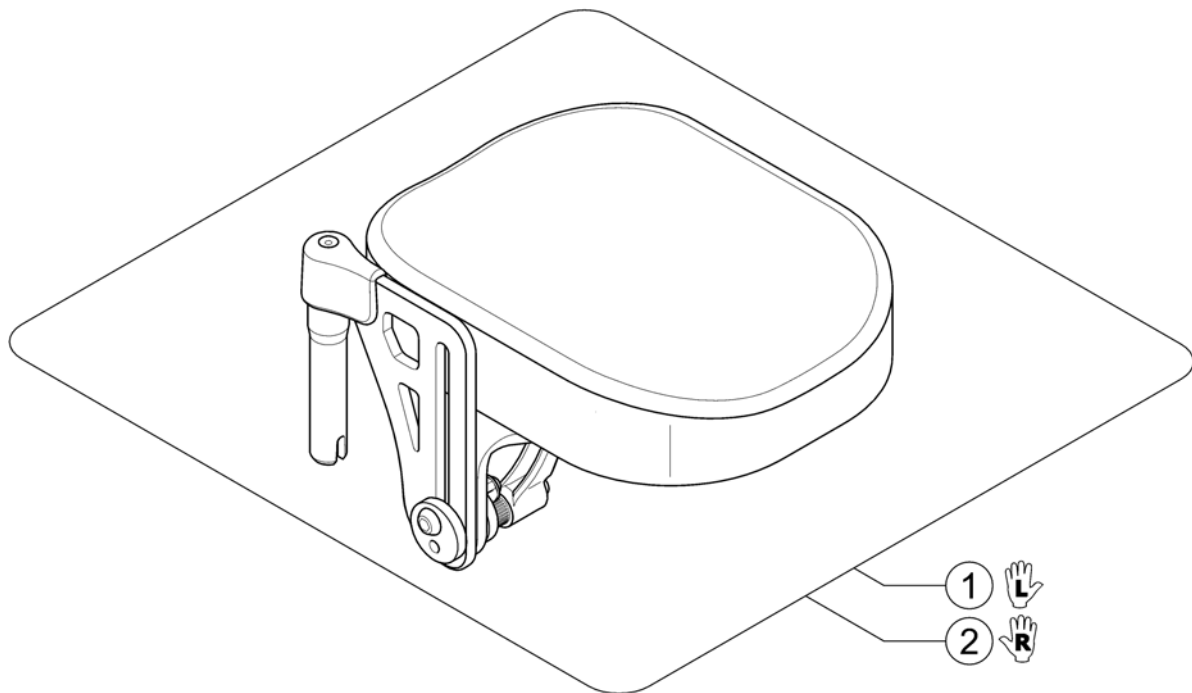
1428654X.iso



Pos.	Part number	Description	Valid from → until	Qty
1	1428660	Footrest a&d adjustable, Lh, SW455mm, standard tube, swing away frame		1
1	1428654	Footrest a&d adjustable, Rh, SW455mm, standard tube, swing away frame		1
2	5106594	Footplate, angle and depth adjustable, 166 mm		1
3	1434561-0010	Standard tube for fixed footrest		1

Amputee Support

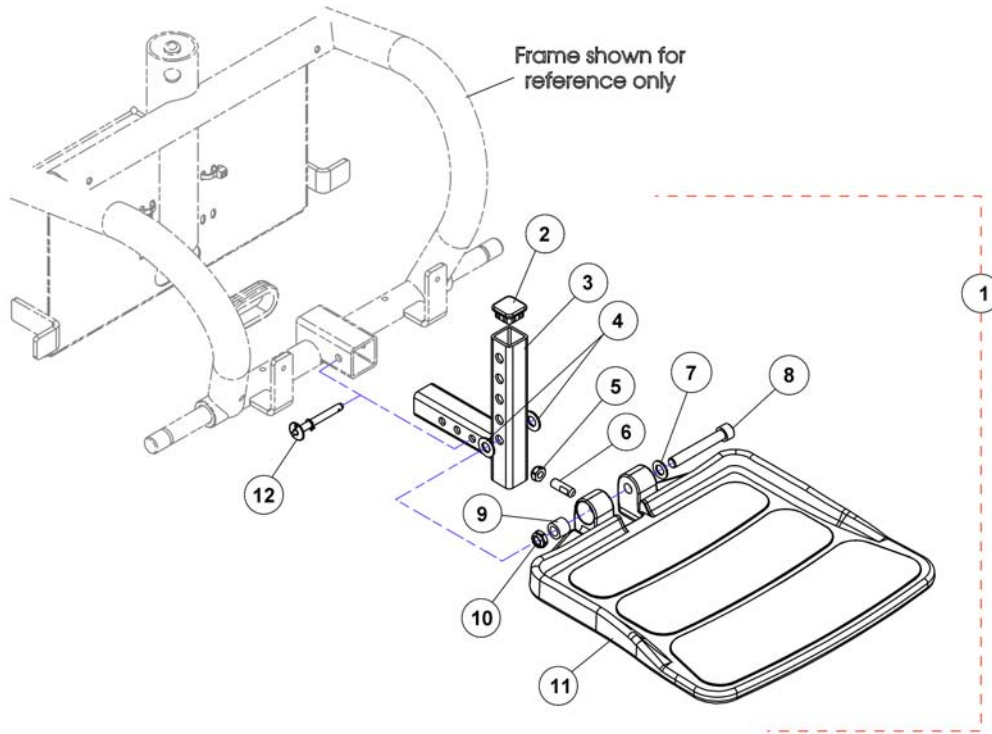
1578234.iso



Pos.	Part number	Description	Valid from → until	Qty
1	1442991	Support Lh, legrest amputee [0555]		1
2	1442990	Support Rh, legrest amputee [0554]		1

Footboard

1114312.dwg



Pos.	Part number	Description	Valid from → until	Qty
1	SP1114312	Footboard Assembly <i>Includes items 2-12</i>		1
2	SP1105038	Plug Button, Black (1"Square)		1
3	SP1106369	Bracket, Footboard Support, Black		1
4	SP1049527	Washer, Nylon (3/8x3/4x1/16")		1
5	SP1522937	Locknut (5/16-18)		1
6	SP1108457	Screw, Set Socket Flat Point (5/16-18x1")		1
7	SP1065214	Washer, Flat (3/8x11/16x1/16")		1
8	SP1106223	Screw, Socket Head (3/8-16x2-1/2")		1
9	SP1105039	Bushing (3/8x5/8x1/2")		1
10	SP1028486	Locknut, Low Profile (3/8-16)		1
11	SP1114311	Footboard w/ Cover (11-1/4"Wx11-1/2"L)		1
12	SP1109011	Pin, Quick Release		1

Legrests for Captain's Seat

Pos.	Part number	Description	Valid from → until	Qty
-		Footboard		1

Legrests for Modulite Seat

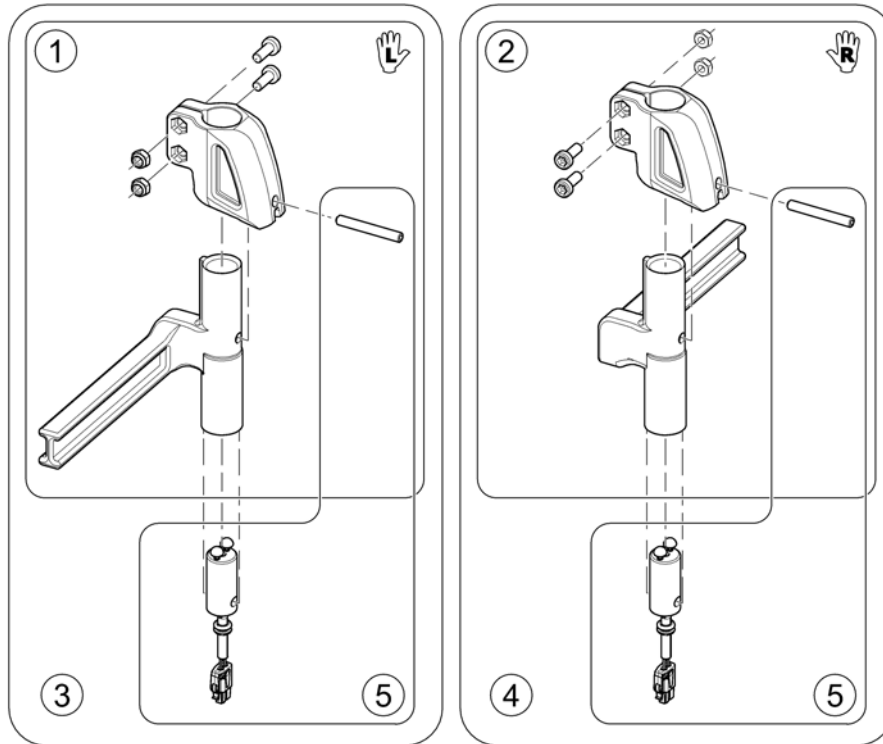
Pos.	Part number	Description	Valid from → until	Qty
-		Legrest Vari-Line		1
-		Legrest 80° & man. adjustable		1
-		Legrest centr. mounted		1

Legrest Vari-Line

Pos.	Part number	Description	Valid from → until	Qty
-		Legrest Support, Vari series - Modulite Seat		1
-		Hanger Vari F		1
-		Hanger Vari A (04/2009 =>)		1
-		Hangers ADM LH/RH manual		1
-		Hanger Vari ADE/ADP electric (07/2005 =>)		1
-		Footrests Vari, Flip-Up (01.08.10 =>)		1
-		Footrests Vari, Flip-Up & angle adjustable (01.08.10 =>)		1
-		Footrests Vari, angle & depth adjustable		1

Legrest Support, Vari series - Modulite Seat

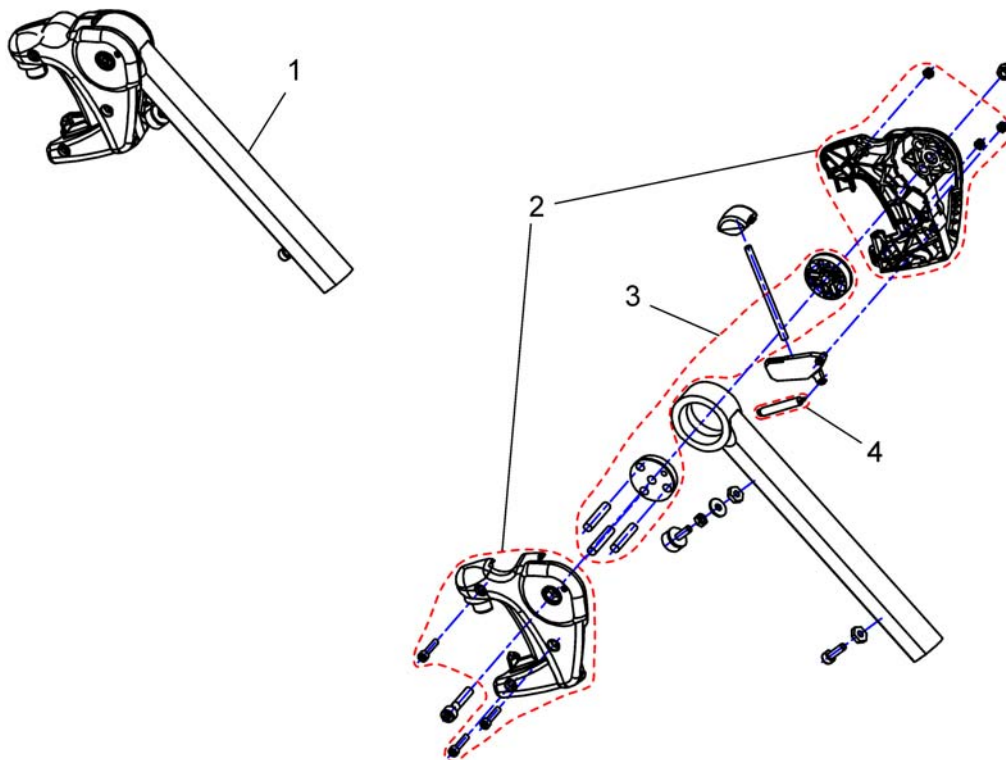
1573651.000



Pos.	Part number	Description	Valid from → until	Qty
1	SP1449733	Legrest Support Vari series, man. 5cm - LH		1
2	SP1449732	Legrest Support Vari series, man. 5cm - RH		1
3	SP1529951	Footrest/Legrest receptacle, powered, LH, 5cm		1
4	SP1529949	Footrest/Legrest receptacle, powered, RH, 5cm		1
5	SP1527775	Power Supply Cable Legrest (650mm)		1

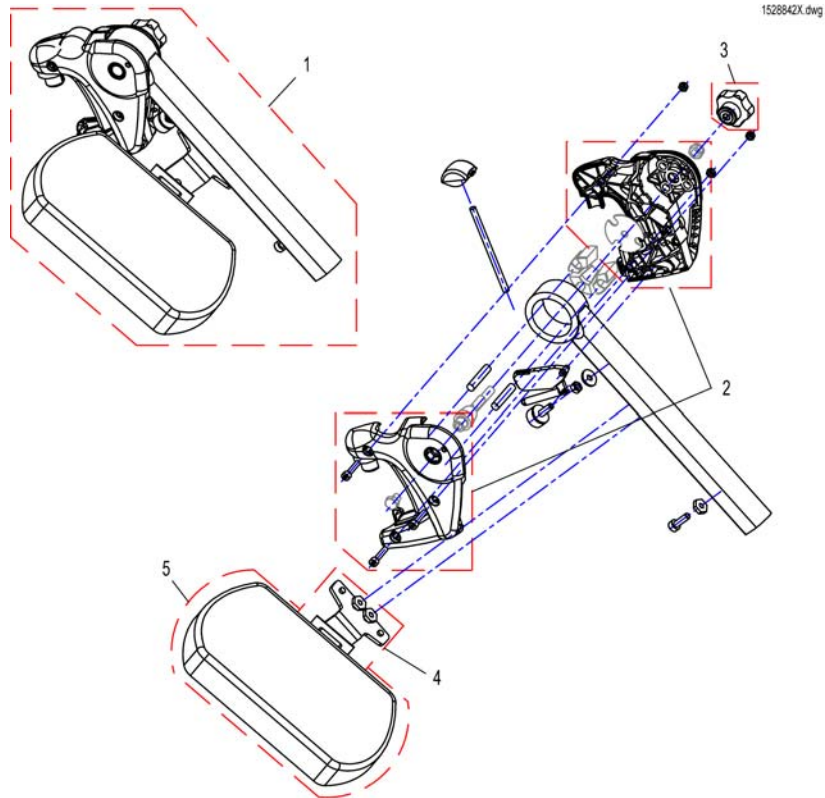
Hanger Vari F

144934 / X.dwg



Pos.	Part number	Description	Valid from → until	Qty
1	SP1449347	Hanger Vari F LH cpl.		1
1	SP1449346	Hanger Vari F RH cpl.		1
2	SP1434955	Cover Legrest cpl.		1
3	1434956	Mechanic		1
4	SPZ173178	Spring		1

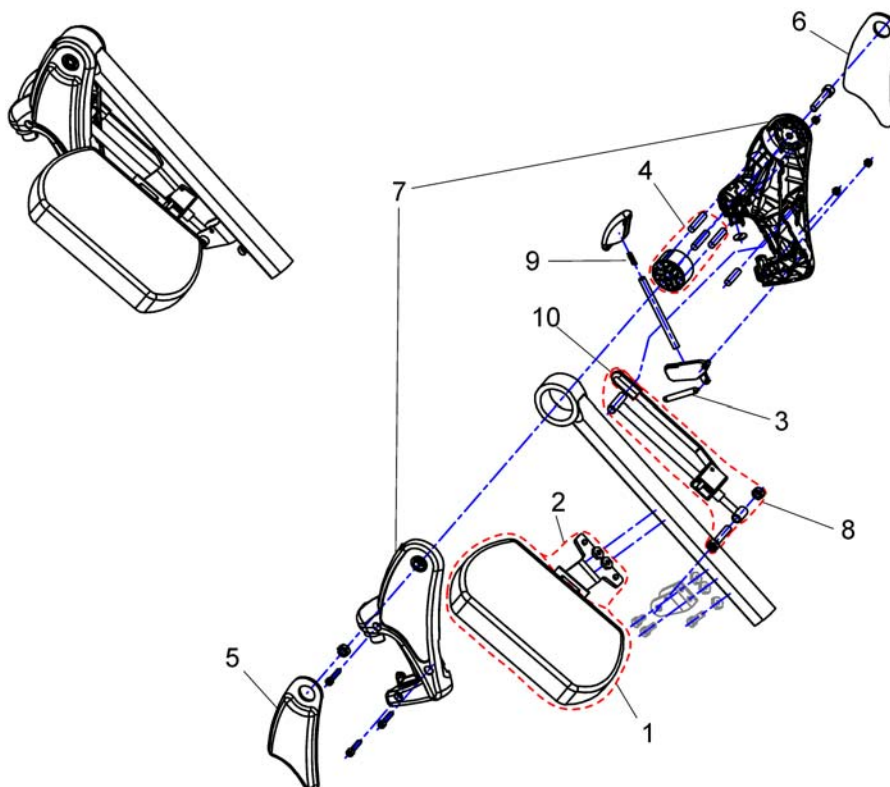
Hanger Vari A (04/2009 =>)



Pos.	Part number	Description	Valid from → until	Qty
-	SP1527820	Rework-Kit Vari A Legrest Version 1 => Version 2 <i>Vari A Version 1 => Version 2 Upgrade Kit</i>		1
1	SP1527498	Hanger Vari A LH, cpl.		1
1	SP1527492	Hanger Vari A RH, cpl.		1
2	SP1434955	Cover Legrest cpl.		1
3	L34011	Handknob M8 Tristarfemale		1
4	SP1450447	Calf Pad Holder Left Turnable, cpl.		1
4	SP1450446	Calf Pad Holder Right Turnable, cpl.		1
5	6301333	Legrest calf pad		1

Hangers ADM LH/RH manual

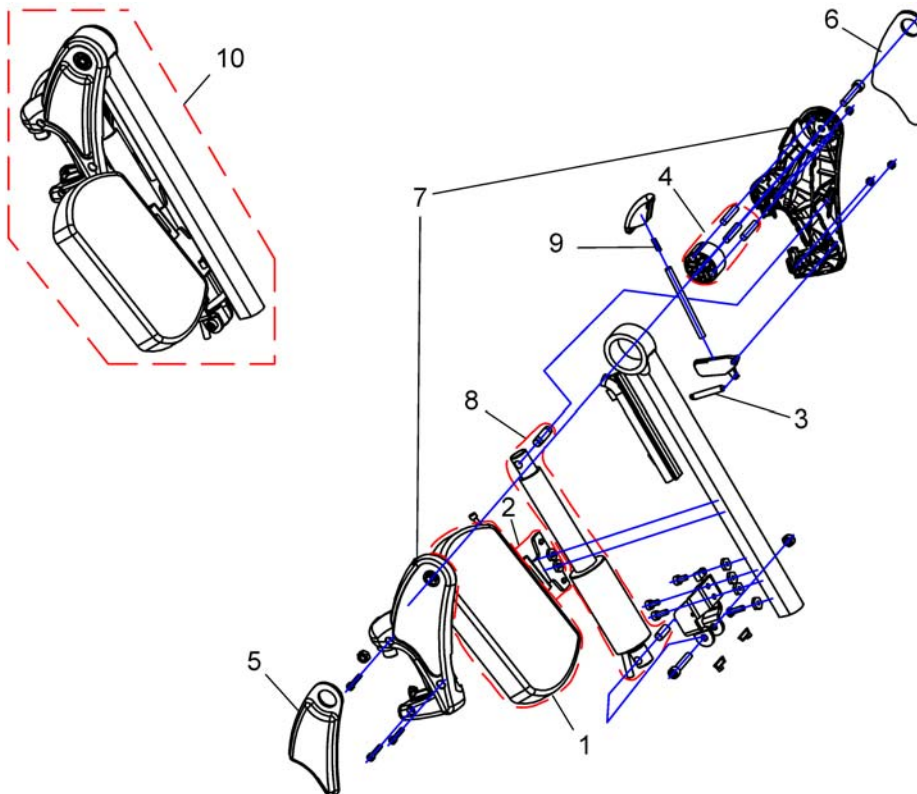
1449409X.dwg



Pos.	Part number	Description	Valid from → until	Qty
1	6301333	Legrest calf pad		1
2	SP1450447	Calf Pad Holder Left Turnable, cpl.		1
2	SP1450446	Calf Pad Holder Right Turnable, cpl.		1
3	SPZ173178	Spring		1
4	SPZ174134	Floating Cylinder With Pin		1
5	SP1450410	Knee Upholstery LH		1
6	SP1450448	Knee Upholstery RH		1
7	SP1449293	Ad-Cover cpl.		1
8	SPZ174130	ADM Adjustment mechanism cpl.		1
9	SPN12196	Spring		1
10	SP1006490	Cap for tripping lever		1
11	SP1449410	Hanger ADM RH cpl.		1
11	SP1449409	Hanger ADM LH cpl.		1

Hanger Vari ADE/ADP electric (07/2005 =>)

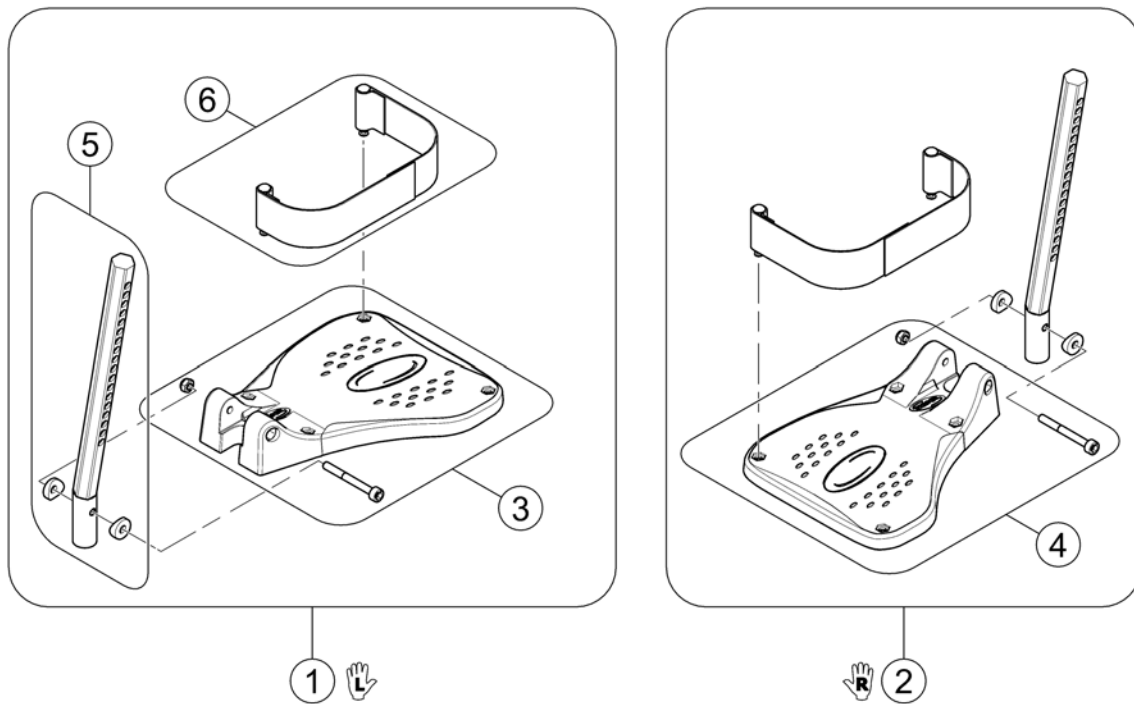
1449407X.dwg



Pos.	Part number	Description	Valid from → until	Qty
1	6301333	Legrest calf pad		1
2	SP1450447	Calf Pad Holder Left Turnable, cpl.		1
2	SP1450446	Calf Pad Holder Right Turnable, cpl.		1
3	SPZ173178	Spring		1
4	SPZ174134	Floating Cylinder With Pin		1
5	SP1450448	Knee Upholstery RH		1
6	SP1450410	Knee Upholstery LH		1
7	SP1449293	Ad-Cover cpl.		1
8	SPZ151006	Actuator with circuit board, preassembled		1
9	SPN12196	Spring		1
10	SP1449408	Hanger ADP RH cpl.		1
10	SP1449407	Hanger ADP LH cpl.		1

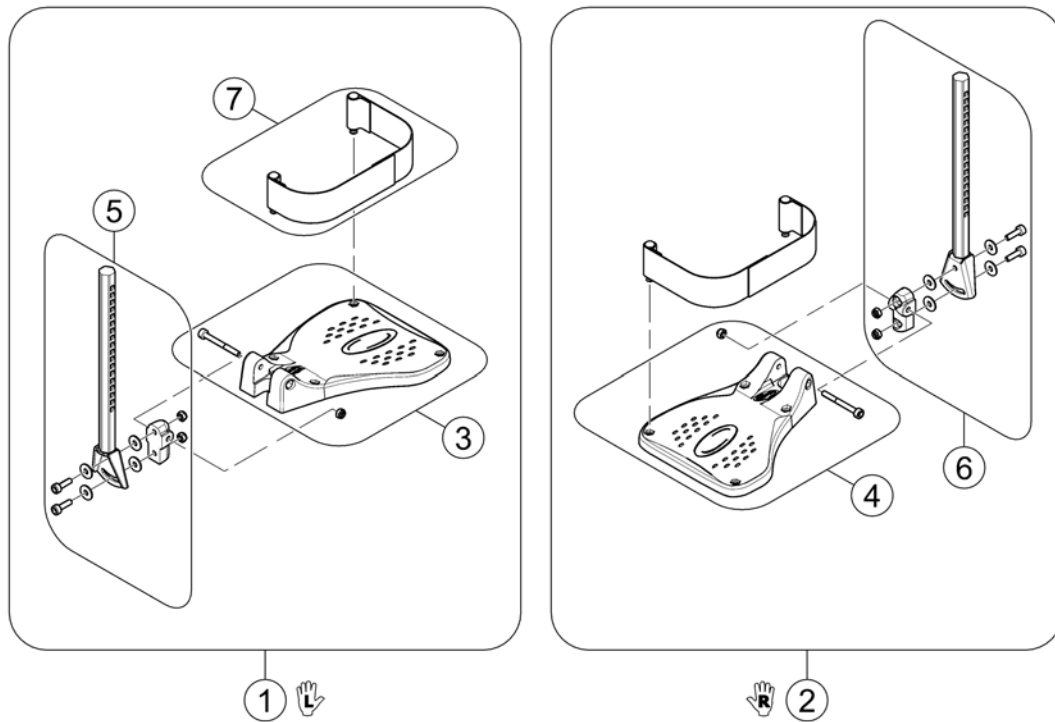
Footrests Vari, Flip-Up (01.08.10 =>)

152964X.jpg



Pos.	Part number	Description	Valid from → until	Qty
1	SP1541575	Footplate flip up, LH, cpl.		1
2	SP1541574	Footplate flip up, RH, cpl.		1
3	SP1529645	FOOTPLATE LH		1
4	SP1529644	FOOTPLATE RH		1
5	SP1543045	Plug-in tube LH/RH		1
6	SP1442467	Heel Strap cpl.		1

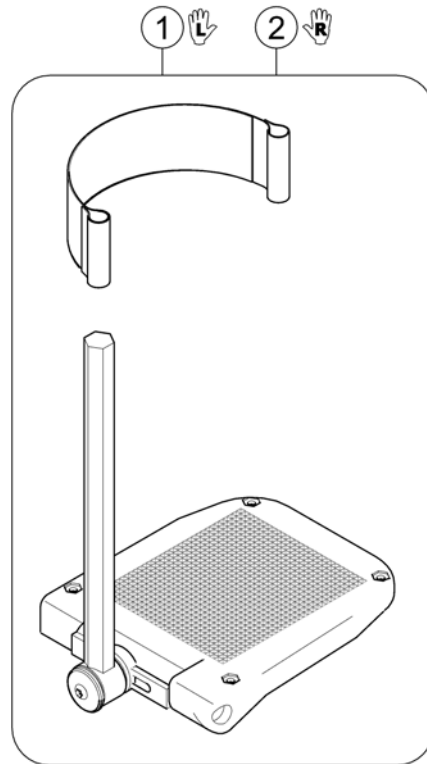
Footrests Vari, Flip-Up & angle adjustable (01.08.10 =>)



Pos.	Part number	Description	Valid from → until	Qty
1	SP1541580	Footplate flip up, angle adjustable, LH, cpl.		1
2	SP1541579	Footplate flip up, angle adjustable, RH, cpl.		1
3	SP1529645	FOOTPLATE LH		1
4	SP1529644	FOOTPLATE RH		1
5	SP1423204	FOOT PLATE TUBE, ANGLE ADJUSTMENT LH CPL.		1
6	SP1423203	FOOT PLATE TUBE, ANGLE ADJUSTMENT RH CPL.		1
7	SP1442467	Heel Strap cpl.		1

Footrests Vari, angle & depth adjustable

1583898-iso

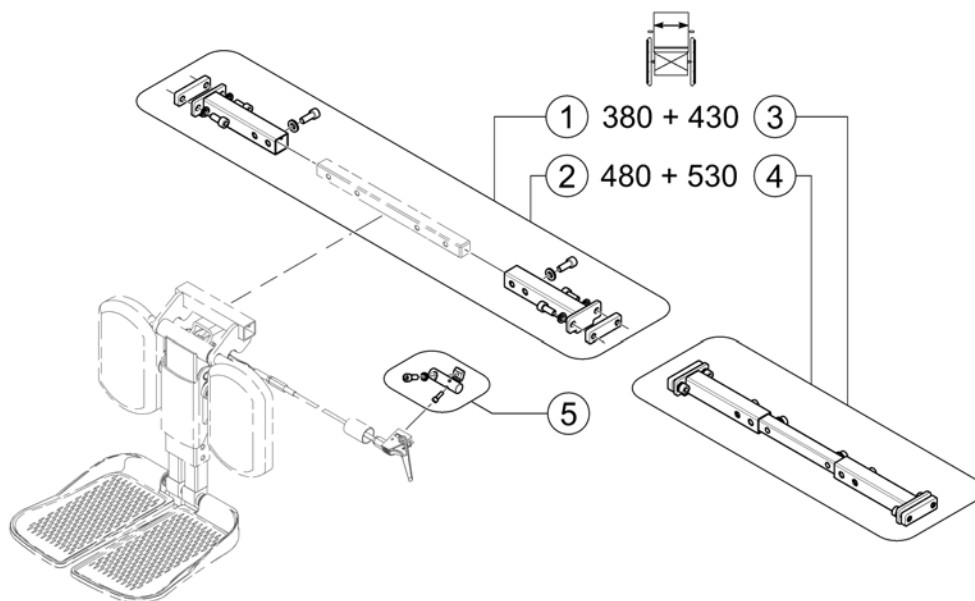


Pos.	Part number	Description	Valid from → until	Qty
1	SP1419344	Footplate LH Anlge And Depth Adjustable, With Support Tube cpl.		1
2	SP1419345	Footplate RH Anlge And Depth Adjustable, With Support Tube cpl.		1

Pos.	Part number	Description	Valid from → until	Qty
-		Support Centr. Legrest LNX man. - Modulite Seat		1
-		Support Centr. Legrest LNX el. - Modulite Seat		1
-		Centr. Legrest man.		1
-		Centr. Legrest LNX el.		1

Support Centr. Legrest LNX man. - Modulite Seat

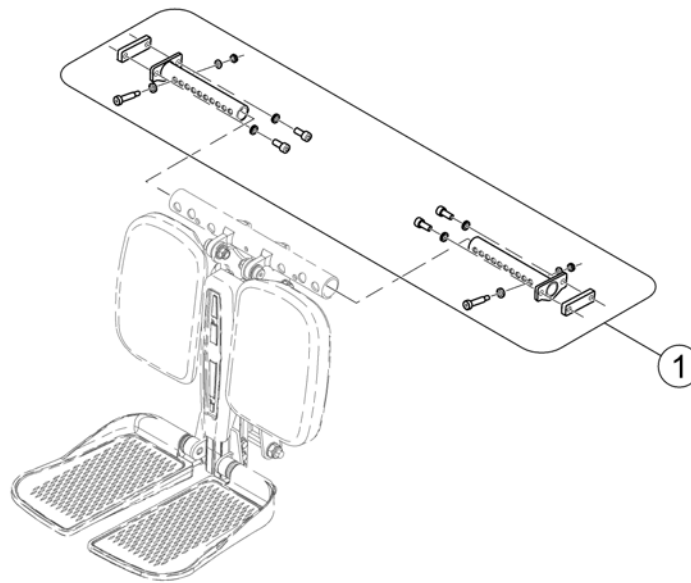
1563891.jpg



Pos.	Part number	Description	Valid from → until	Qty
1	SP1579989	Support, Centr. Legrest man. LNX - SW 380+430mm		1
2	SP1579990	Support, Centr. Legrest man. LNX - SW 480+530mm		1
3	SP1579991	Support, Centr. Legrest man. LNX - SW 380+430mm, cpl.		1
4	SP1579992	Support, Centr. Legrest man. LNX - SW 480+530mm, cpl.		1
5	SP1579988	Support, Lever, cpl.		1

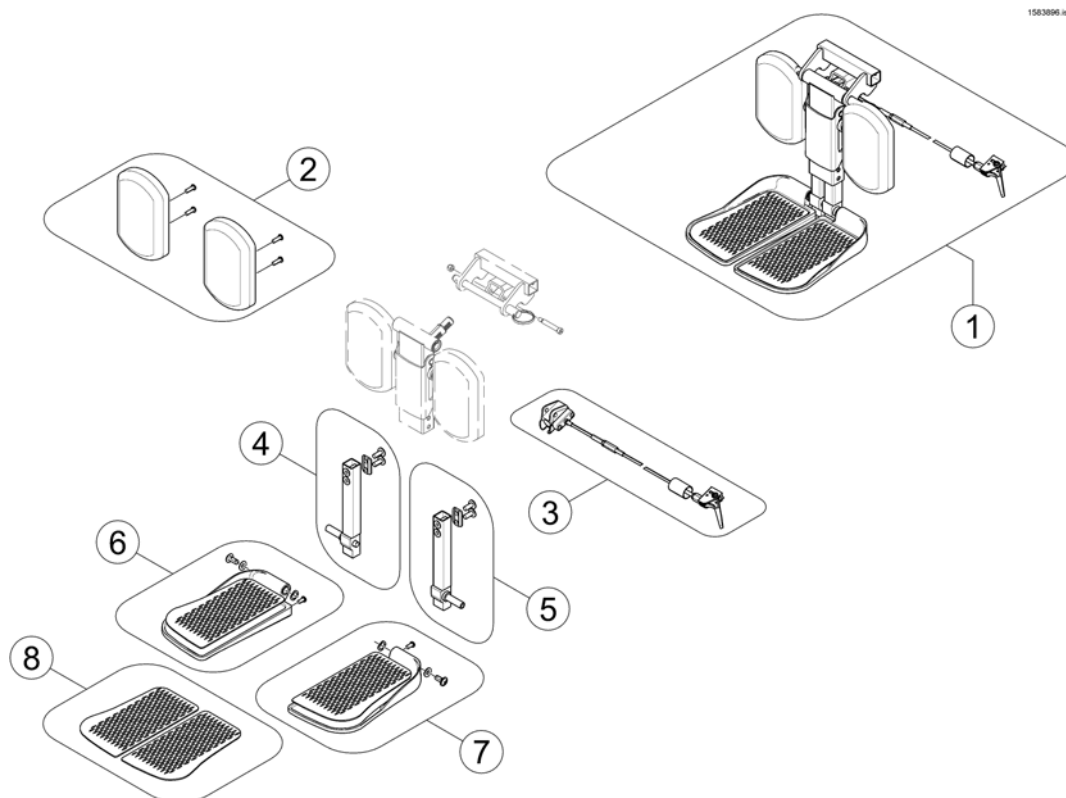
Support Centr. Legrest LNX el. - Modulite Seat

1583893.000

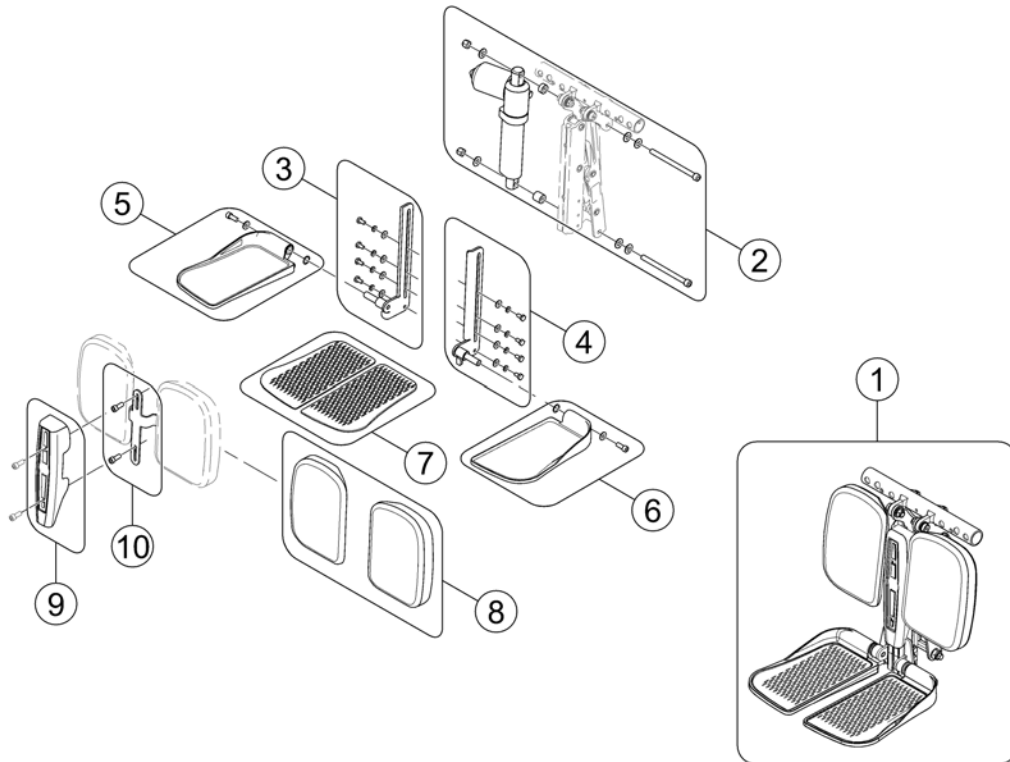


Pos.	Part number	Description	Valid from → until	Qty
1	SP1575144	Support, Centr. Legrest el. LNX - Modulite		1

Centr. Legrest man.



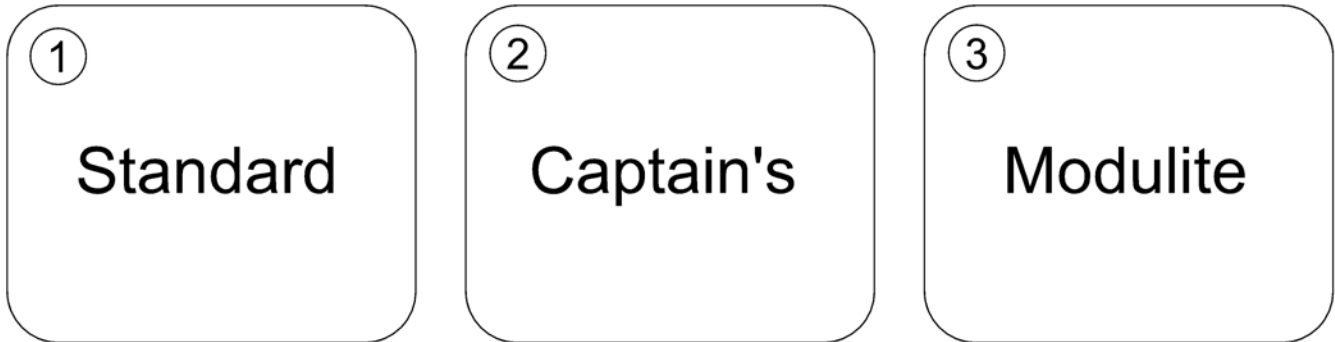
Pos.	Part number	Description	Valid from → until	Qty
1	SP1537926	Central Legrest manual, cpl.		1
2	SP1163373	Calfplates (Pair)		1
3	SP1121079	Bowden cable central legrest, manual		1
4	SP1161986	Kit, extension tube, cpl. RH		1
5	SP1161987	Kit, extension tube, cpl. LH		1
6	SP1161990	Footplate, cpl. RH		1
7	SP1161991	Footplate, cpl. LH		1
8	SP1163375	Footrest pad (Pair)		1



Pos.	Part number	Description	Valid from → until	Qty
-	SP1541677	Adaptercable 300mm <i>For chairs with lifter</i>		1
-	SP1543012	Adaptercable 1200mm <i>For chairs without lifter</i>		1
-	SP1571959	Centr. Legrest el. LNX for Modulite cpl. (incl. Support)		1
1	SP1571882	Centr. Legrest LNX el.		1
2	SP1543031	Actuator, complete		1
3	SP1543035	Footplate mount, RH		1
4	SP1543034	Footplate mount, LH		1
5	SP1543037	Footplate, RH		1
6	SP1543036	Footplate, LH		1
7	SP1163375	Footrest pad (Pair)		1
8	SP1543033	Calfplates (Pair)		1
9	SP1543032	Cover		1
10	SP1579985	Calf Plate Bracket		1

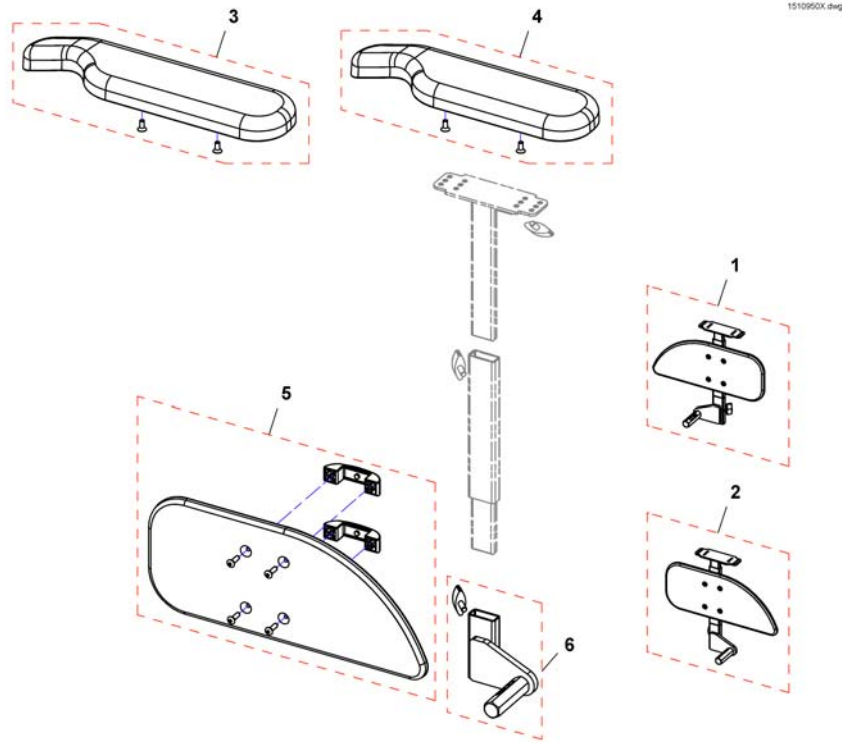
Armrests

SPCM4120.iso



Pos.	Part number	Description	Valid from → until	Qty
1	-	T-Armrest, detachable, with Armpad, for Standard Seat 2008-08-01 ==>		1
2	-	Armrests for Captain's Seat		1
3	-	Armrests for Modulite Seat		1

T-Armrest, detachable, with Armpad, for Standard Seat 2008-08-01 ==>

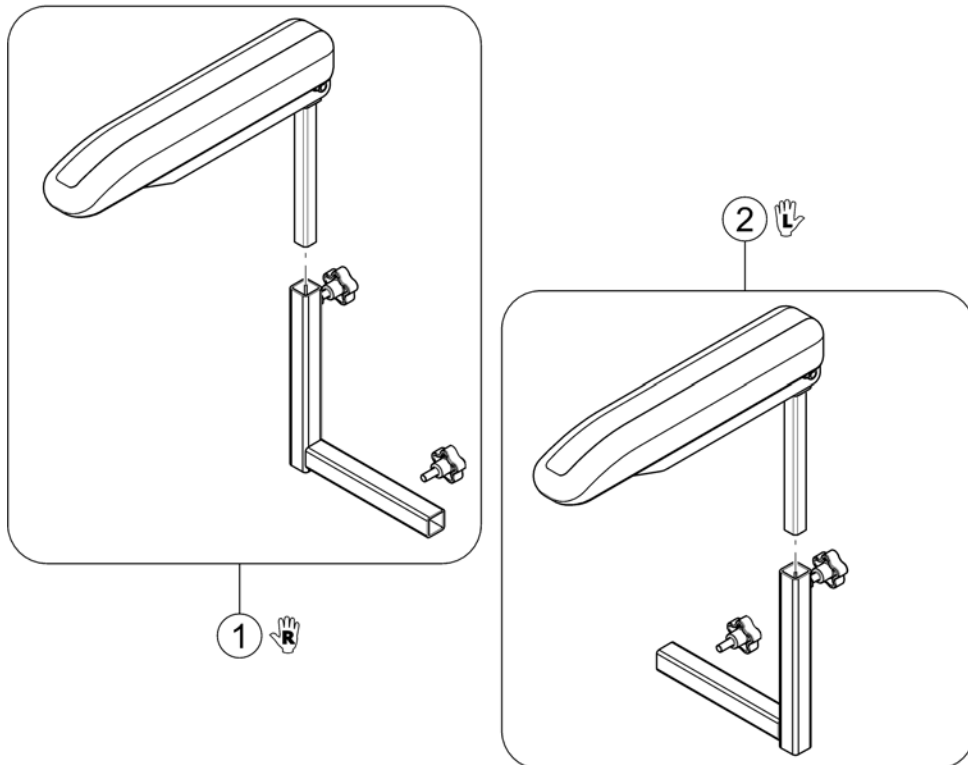


1510950X.dwg

Pos.	Part number	Description	Valid from → until	Qty
1	SP1510935	Armrest, without armpad, RH		1
2	SP1510950	Armrest, without armpad, LH		1
3	SP1528846	Armpad, Extended (375mm), LH		1
3	SP1528845	Armpad, Extended (375mm), RH		1
4	SP1443004	Armpad, Standard (325mm), LH		1
4	SP1449043	Armpad, Standard (325mm), RH		1
5	SP1541505	Skirt guard, RH		1
5	SP1541506	Skirt guard, LH		1
6	SP1541510	Bracket for T-arm, RH		1
6	SP1541511	Bracket for T-arm, LH		1

Armrests for Captain's Seat

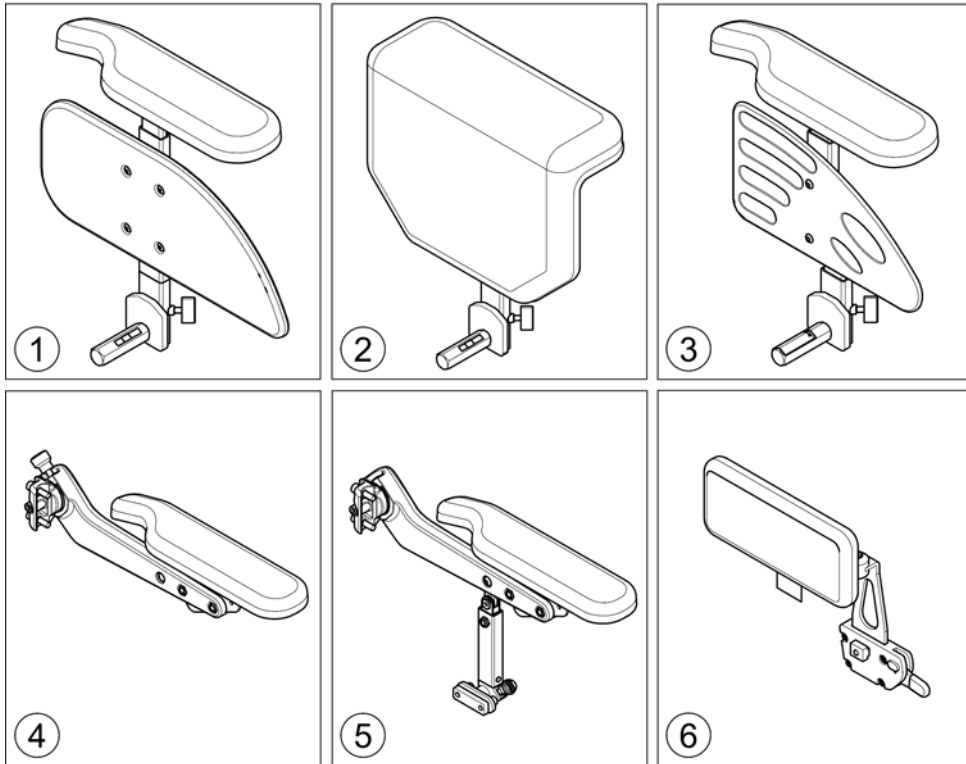
1577785.000



Pos.	Part number	Description	Valid from → until	Qty
1	SP1142474	Arm Assembly, Full Length Adj. Height - Right		1
2	SP1142475	Arm Assembly, Full Length Adj. Height - Left		1

Armrests for Modulite Seat

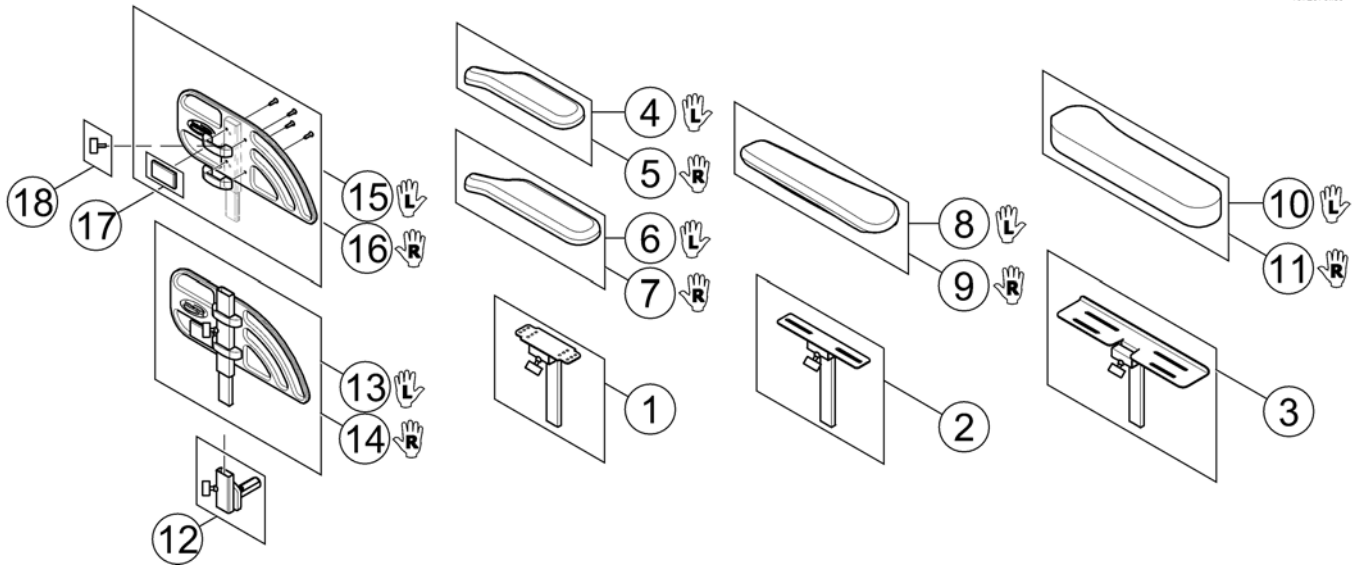
1571738.000



Pos.	Part number	Description	Valid from → until	Qty
1	-	T-Armrest [2191+2195/2196/2197]		1
2	-	Padded Armrest [2198]		1
3	-	Inrigged Armrest [2183+2195/2196/2197/2199]		0
4	-	Flip-Up Armrest [2193+2195/2196/2197/2199]		0
5	-	Following Armrest [2192/2194+2195/2196/2197/2199]		0
6	-	Hip Support [2184/2185/2186/2187/2188/2189]		0

T-Armrest

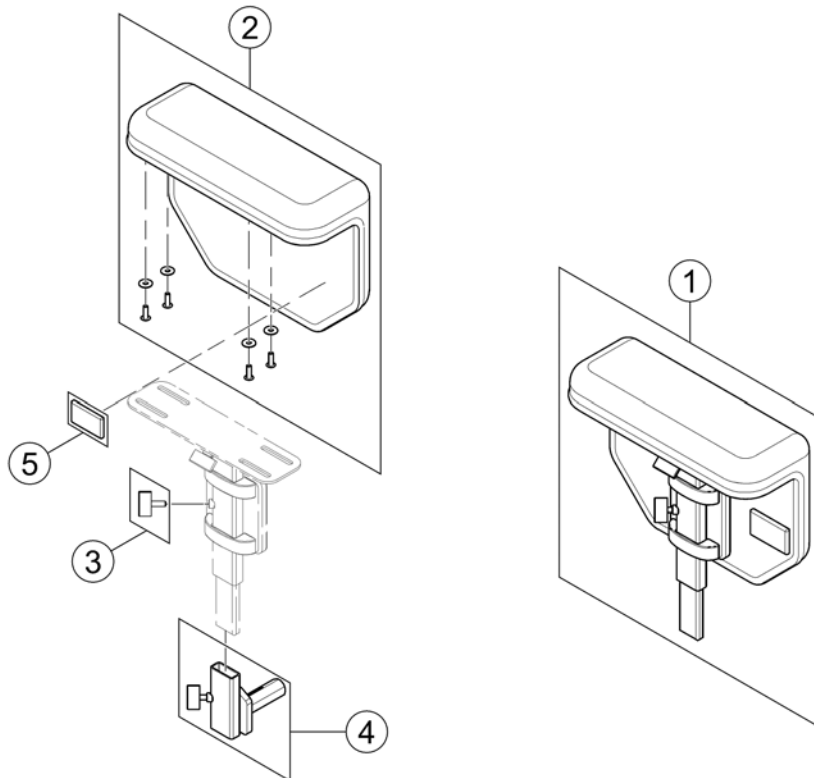
1572570.iso



Pos.	Part number	Description	Valid from → until	Qty
1	SP1567750	Armrest Bracket for Standard & Extended Armpad		1
2	SP1570319	Armrest Bracket for Ergonomic Armpad		1
3	SP1585088	Armrest Bracket for Soft Armpad		1
4	SP1443004	Armpad, Standard (325mm), LH		1
5	SP1449043	Armpad, Standard (325mm), RH		1
6	SP1528846	Armpad, Extended (375mm), LH		1
7	SP1528845	Armpad, Extended (375mm), RH		1
8	SP1571589	Armpad, Ergonomic, LH		1
9	SP1571588	Armpad, Ergonomic, RH		1
10	SP1585068	Armpad, Soft, LH		1
11	SP1585069	Armpad, Soft, RH		1
12	SP1567749	Siderest Bracket - LH/RH		1
13	SP1588374	Siderest LH		1
14	SP1588375	Siderest RH		1
15	SP1572940	Skirt Guard LH		1
16	SP1572948	Skirt Guard RH		1
17	SPP31298	Reflector, yellow		1
18	SPL10024	Wing Screw M6x16		1

Padded Armrest

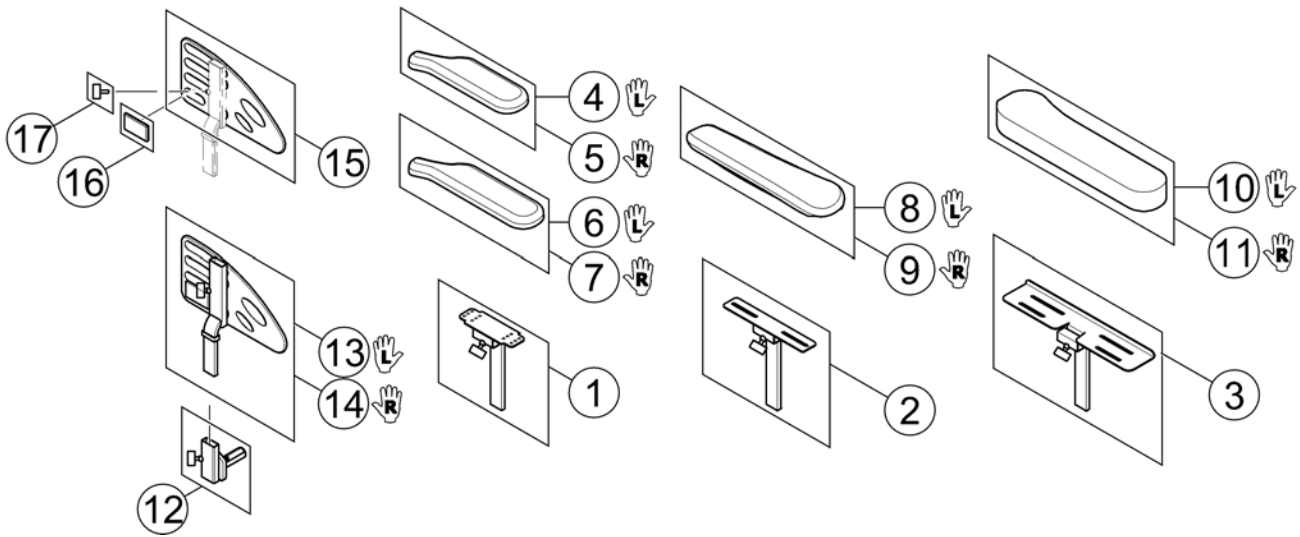
1573214 Rev



Pos.	Part number	Description	Valid from → until	Qty
1	SP1571987	Padded Armrest RH/LH, cpl.		1
2	SP1571962	Armpad, padded - RH/LH with integrated cloth guard		1
3	SPL10024	Wing Screw M6x16		1
4	SP1567749	Siderest Bracket - LH/RH		1
5	SPP31298	Reflector, yellow		1

Inrigged Armrest

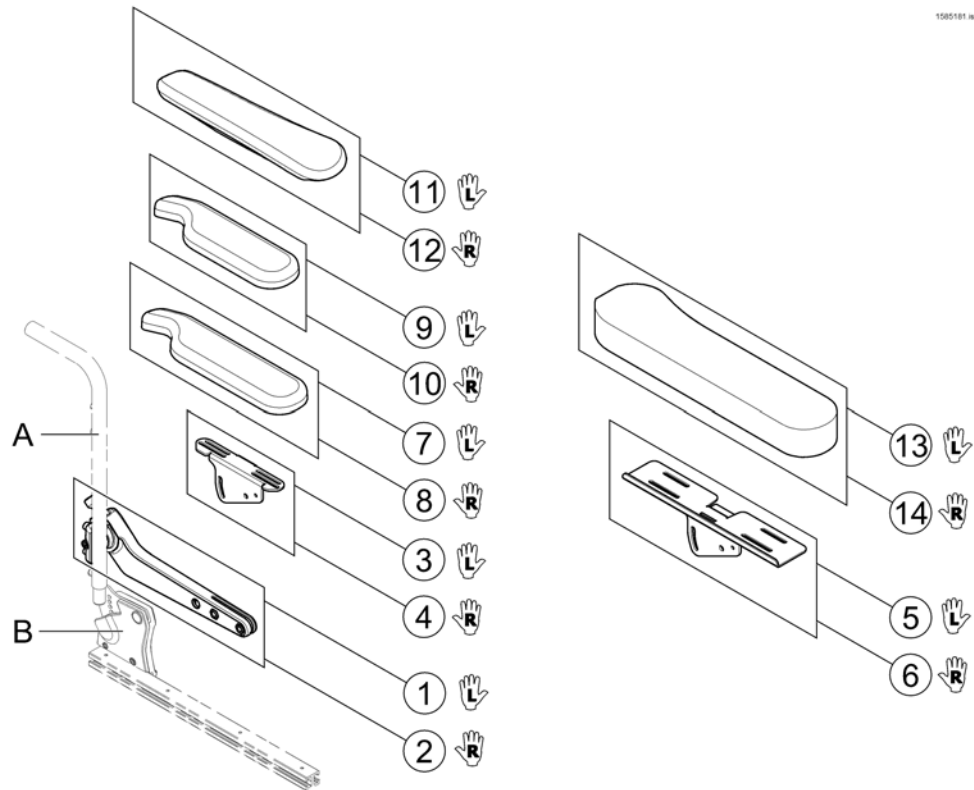
1585180 iso



Pos.	Part number	Description	Valid from → until	Qty
1	SP1567750	Armrest Bracket for Standard & Extended Armpad		1
2	SP1570319	Armrest Bracket for Ergonomic Armpad		1
3	SP1585088	Armrest Bracket for Soft Armpad		1
4	SP1443004	Armpad, Standard (325mm), LH		1
5	SP1449043	Armpad, Standard (325mm), RH		1
6	SP1528846	Armpad, Extended (375mm), LH		1
7	SP1528845	Armpad, Extended (375mm), RH		1
8	SP1571589	Armpad, Ergonomic, LH		1
9	SP1571588	Armpad, Ergonomic, RH		1
10	SP1585068	Armpad, Soft, LH		1
11	SP1585069	Armpad, Soft, RH		1
12	SP1567749	Siderest Bracket - LH/RH		1
13	SP1585037	Siderest inrigged LH		1
14	SP1585038	Siderest inrigged RH		1
15	SP1578119	Skirt Guard LH/RH		1
16	SPP31298	Reflector, yellow		1
17	SPL10024	Wing Screw M6x16		1

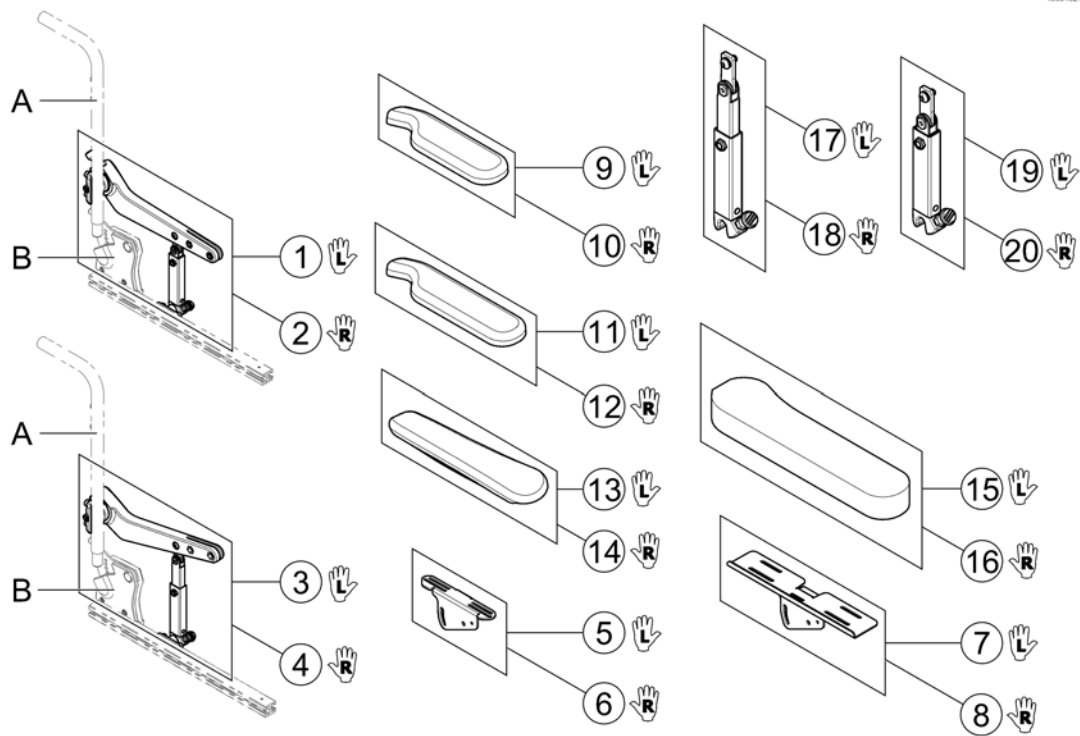
Flip-Up Armrest

1580181 Rev



Pos.	Part number	Description	Valid from → until	Qty
-	-	Retrofitting the armrests on chairs built before 15-03-27 also requires new Pos. A & B and Sling Back with respective cut-outs! !!!		0
1	SP1582668	Flip-Up Armrest, LH	2015-01-19 →	1
2	SP1582644	Flip-Up Armrest, RH	2015-01-19 →	1
3	SP1585412	Ampad Support (Standard, Extended, Ergonomic), LH		1
4	SP1585413	Ampad Support (Standard, Extended, Ergonomic), RH		1
5	SP1585414	Ampad Support (Soft), LH		1
6	SP1585415	Ampad Support (Soft), RH		1
7	SP1528846	Ampad, Extended (375mm), LH		1
8	SP1528845	Ampad, Extended (375mm), RH		1
9	SP1443004	Ampad, Standard (325mm), LH		1
10	SP1449043	Ampad, Standard (325mm), RH		1
11	SP1571589	Ampad, Ergonomic, LH		1
12	SP1571588	Ampad, Ergonomic, RH		1
13	SP1585068	Ampad, Soft, LH		1
14	SP1585069	Ampad, Soft, RH		1

Following Armrest

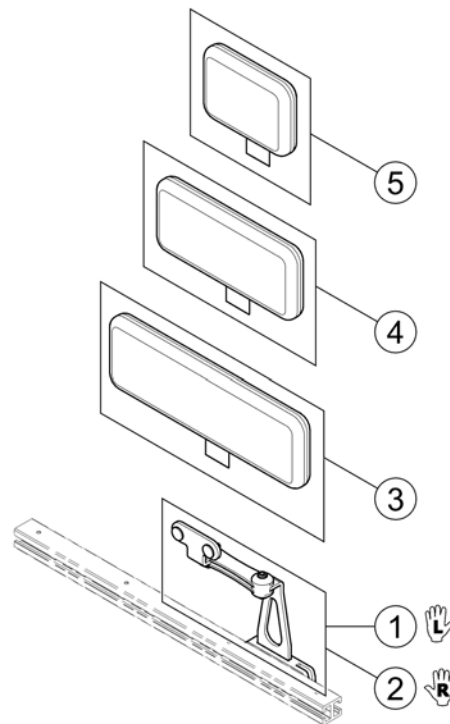


1585162 00

Pos.	Part number	Description	Valid from → until	Qty
-	-	Retrofitting the armrests on chairs built before 15-03-27 also requires new Pos. A & B and Sling Back with respective cut-outs! !!!		0
1	SP1585263	Armrest LH cpl. - Short Support	2015-01-19 →	1
2	SP1585264	Armrest RH cpl. - Short Support	2015-01-19 →	1
3	SP1585267	Armrest LH cpl. - Long Support	2015-01-19 →	1
4	SP1585268	Armrest RH cpl. - Long Support	2015-01-19 →	1
5	SP1585412	Ampad Support (Standard, Extended, Ergonomic), LH		1
6	SP1585413	Ampad Support (Standard, Extended, Ergonomic), RH		1
7	SP1585414	Ampad Support (Soft), LH		1
8	SP1585415	Ampad Support (Soft), RH		1
9	SP1443004	Ampad, Standard (325mm), LH		1
10	SP1449043	Ampad, Standard (325mm), RH		1
11	SP1528846	Ampad, Extended (375mm), LH		1
12	SP1528845	Ampad, Extended (375mm), RH		1
13	SP1571589	Ampad, Ergonomic, LH		1
14	SP1571588	Ampad, Ergonomic, RH		1
15	SP1585068	Ampad, Soft, LH		1
16	SP1585069	Ampad, Soft, RH		1
17	SP1583156	Amrest Support, long, LH		1
18	SP1583155	Amrest Support, long, RH		1
19	SP1583154	Amrest Support, short, LH		1
20	SP1582639	Amrest Support, short, RH		1

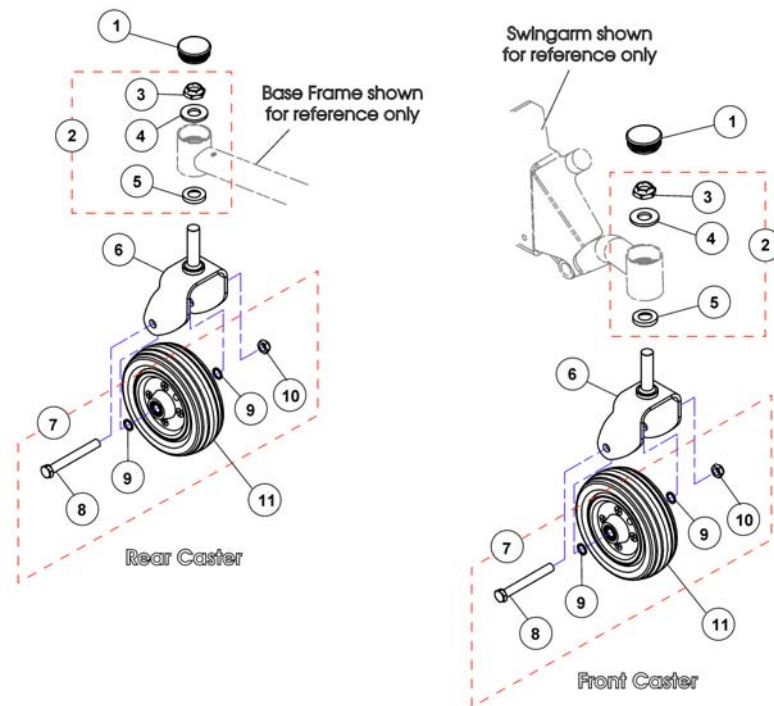
Hip Support

1580183 Rev



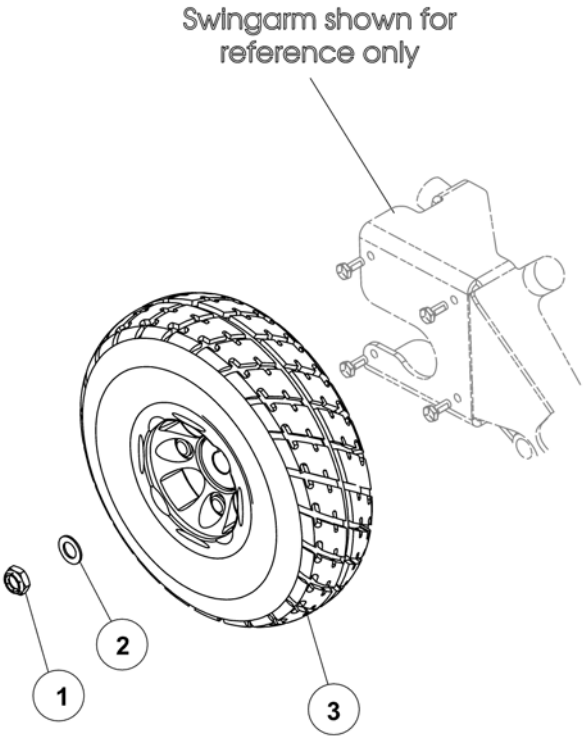
Pos.	Part number	Description	Valid from → until	Qty
1	SP1584411	Hip Support, Quick Release bracket, LH		1
2	SP1584410	Hip Support, Quick Release bracket, RH		1
3	SP1584414	Hip Support Pad, large (330x100 mm)		1
4	SP1584413	Hip Support Pad, medium (230x100 mm)		1
5	SP1584412	Hip Support Pad, small (140x100 mm)		1

Castor and Forks



Pos.	Part number	Description	Valid from → until	Qty
1	SP1110709	Plug Button, Head Tube Black		1
2	SP1537421	Kit, Fork Mounting Hardware <i>Includes Items 3 - 5</i>		1
6	SP1140984	Fork and Stem Assembly		1
7	SP1110708	Kit, Castor Mounting Hardware <i>Includes Items 8 - 10</i>		1
11	SP1511369	6x2" Wheel with bearings, black hub		1

Drive wheel

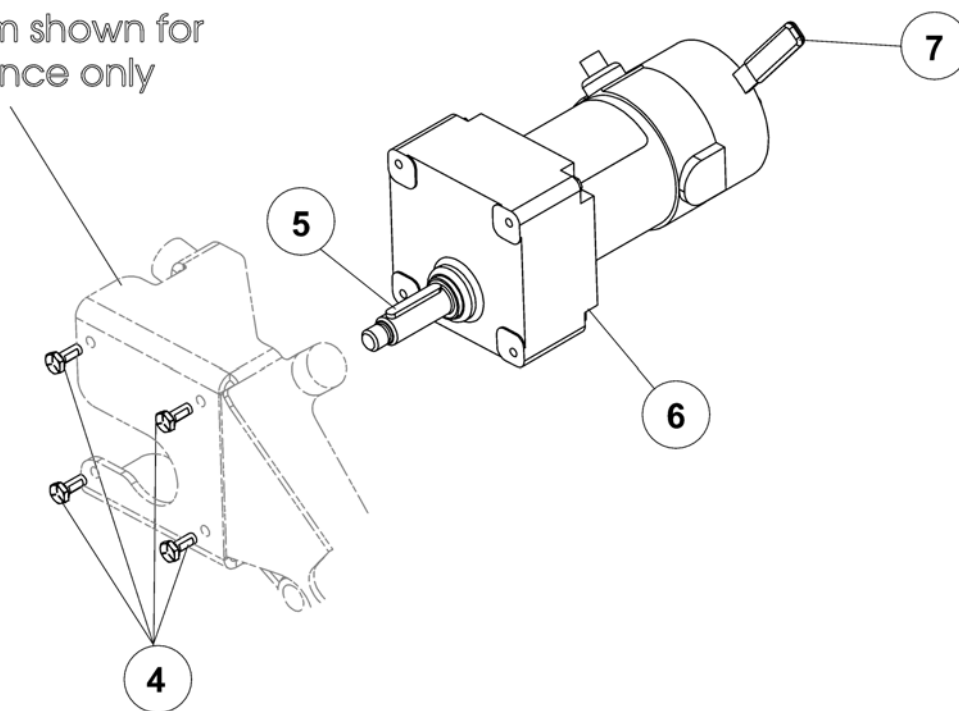


Pos.	Part number	Description	Valid from → until	Qty
1	1025737	Axle Locknut 1/2"-20		1
2	SP1026174	Washer (1/2x7/8x3/64")		1
3	SP1105043	Wheel Assembly, cpl. Flat Free (10"x3")		1
3	SP1102342	Tire w/ Foam Fill Insert Grey (10"x3")		1

Motor

1134124X.dwg

Swingarm shown for reference only



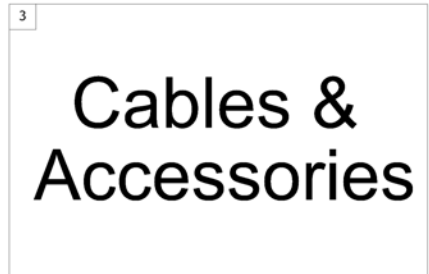
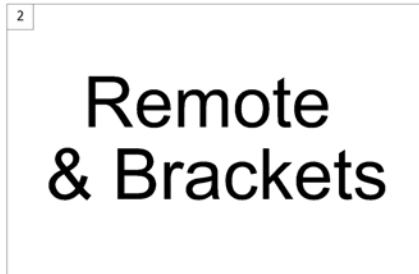
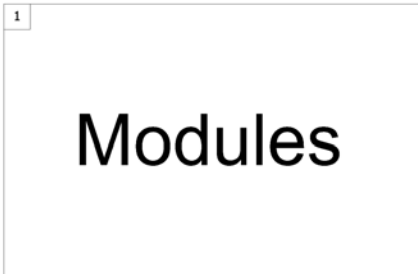
Pos.	Part number	Description	Valid from → until	Qty
4	SP1121024	Screw, Hex Head w/Patch (1/4-20 x 5/8")		1
5	SP1023264	Key (6x6x40mm)		1
6	SP1134124	Motor/Gearbox Assembly Right <i>Brushes are not serviceable.</i>		1
6	SP1134125	Motor/Gearbox Assembly Left <i>Brushes are not serviceable.</i>		1
7	SP1143707	Package, Brake Lever Tip, Black		1



Pos.	Part number	Description	Valid from → until	Qty
1	-	ACS Electronic		1
2	-	Shark Electronic		1

ACS Electronic

1500784.sp



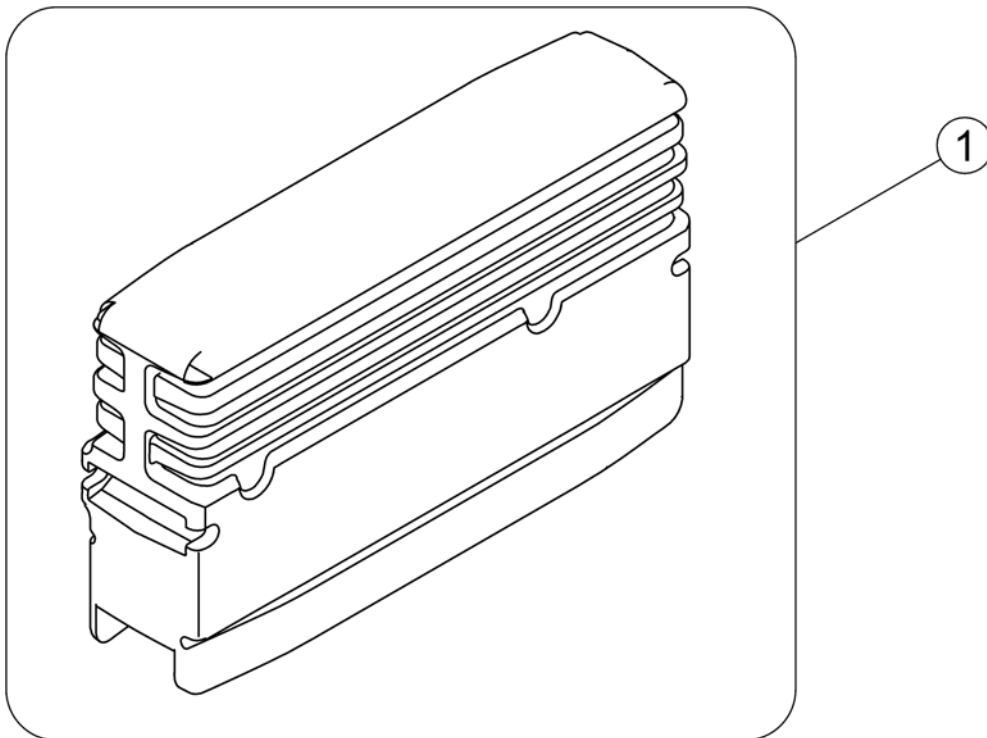
Pos.	Part number	Description	Valid from → until	Qty
1	-	ACS Electronic Modules		1
2	-	ACS Remote & Brackets		1
3	-	ACS Cable & Accessories		1

ACS Electronic Modules

Pos.	Part number	Description	Valid from → until	Qty
-		Powermodule		1
-		ACT for ACS 2		1
-		Bracket Powermodul & ACT		1
-		Bracket ACT for Modulite Seat		1

Powermodule

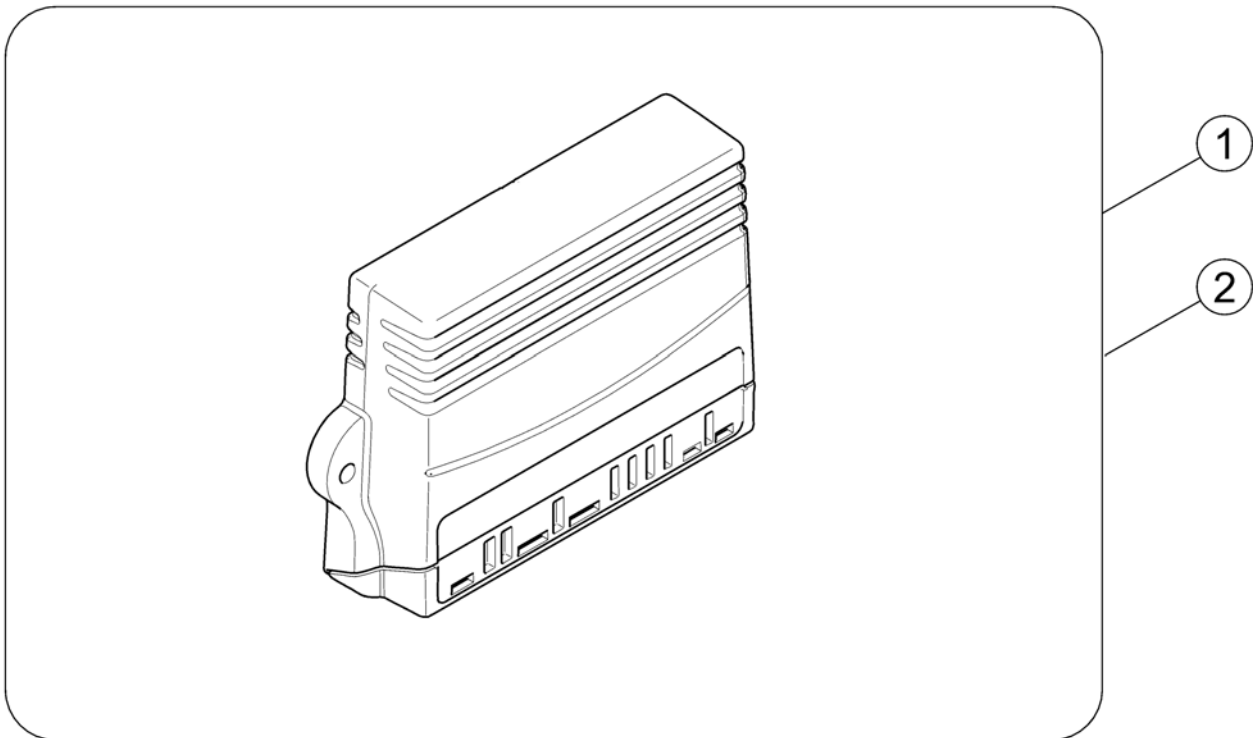
1586132.iso



Pos.	Part number	Description	Valid from → until	Qty
1	SP1528673	Powermodule, ACS2, 70A, DX2-PMA70 <i>Lock washer between module and bracket!</i>		1

ACT for ACS 2

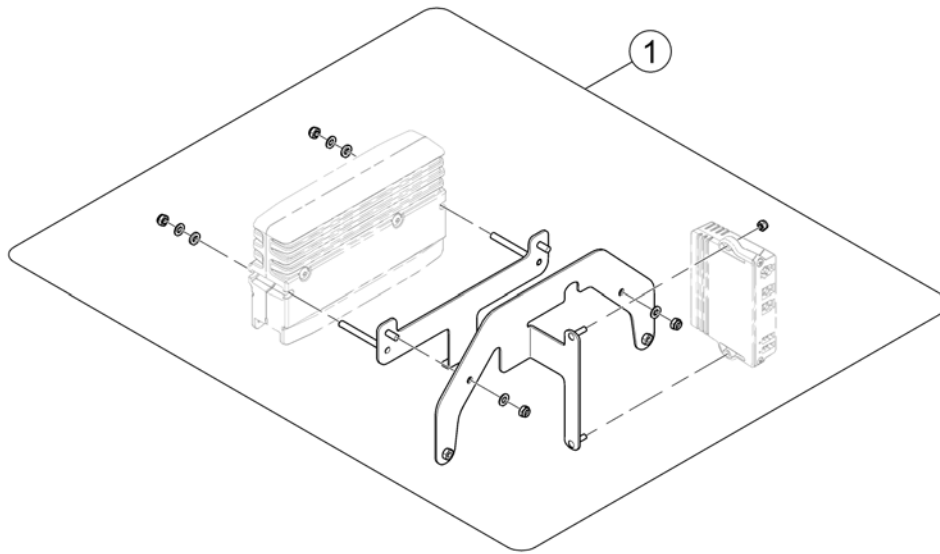
1528542X.iso



Pos.	Part number	Description	Valid from → until	Qty
1	SP1528542	ACT2 for ACS2, cpl.		1
2	SP1529382	ACT4 for ACS2, cpl.		1

Bracket Powermodul & ACT

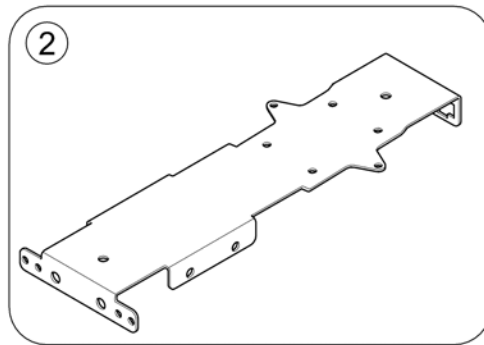
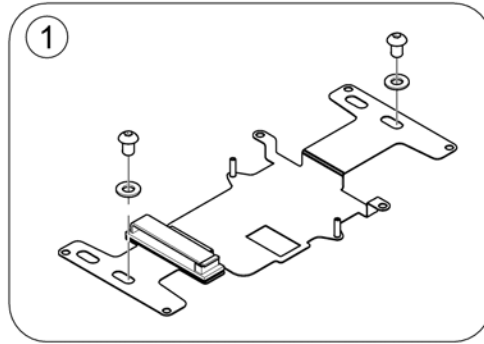
1585521 Rev



Pos.	Part number	Description	Valid from → until	Qty
1	SP1585600	Bracket, Powermodule & ACT, cpl.		1

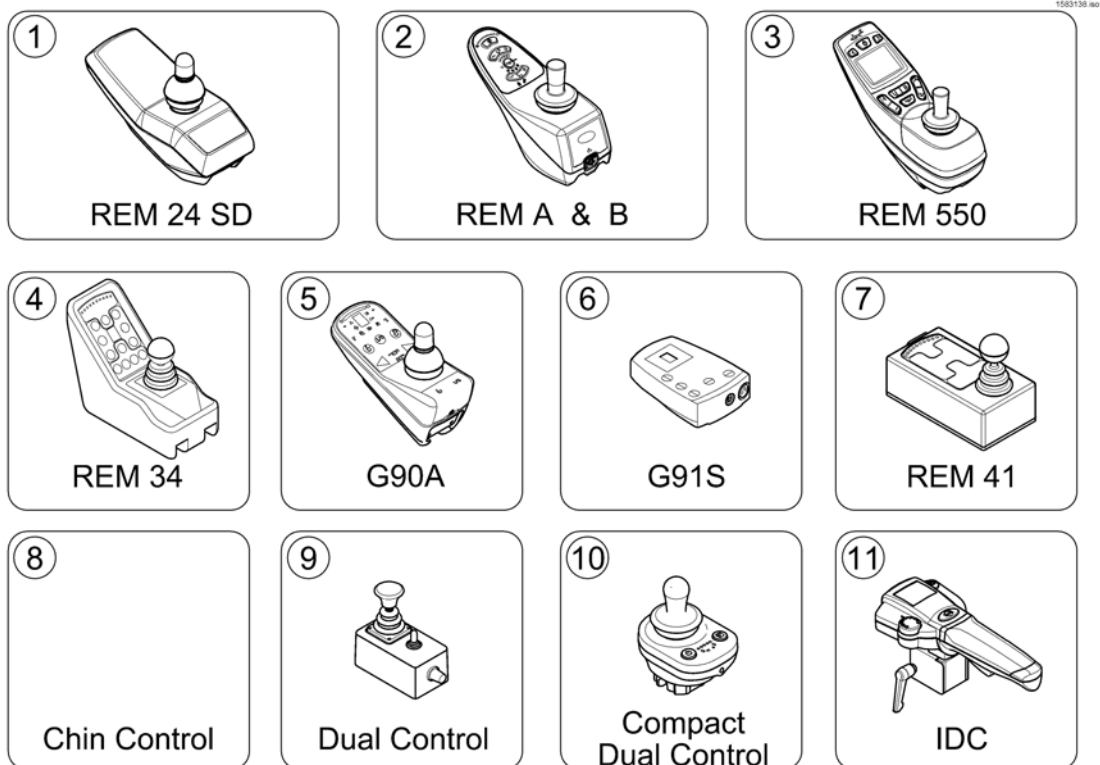
Bracket ACT for Modulite Seat

1566166.000

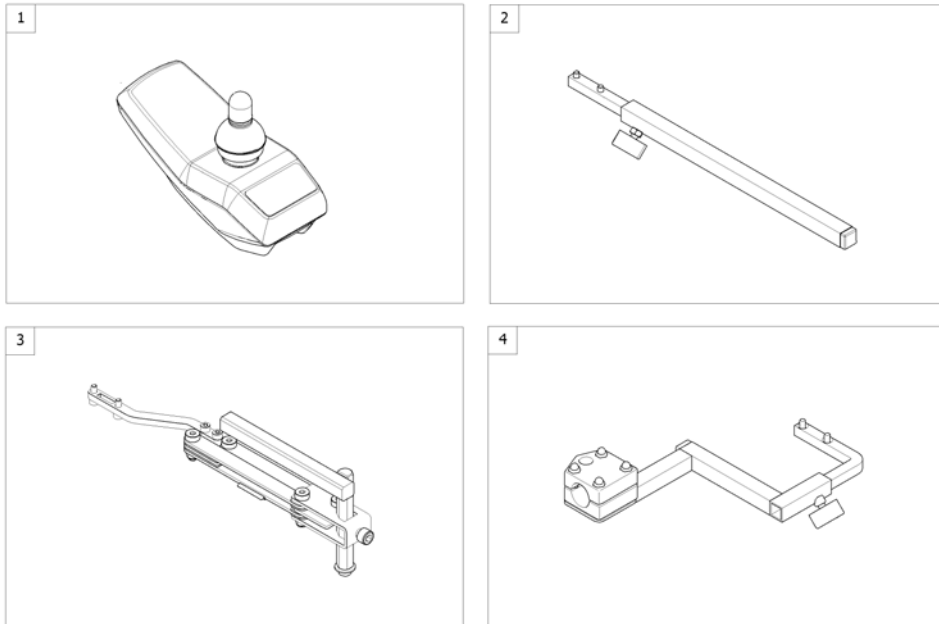


Pos.	Part number	Description	Valid from → until	Qty
1	SP1569960	ACT bracket		1
2	SP1564650	Multi support bracket		1

ACS Remote & Brackets



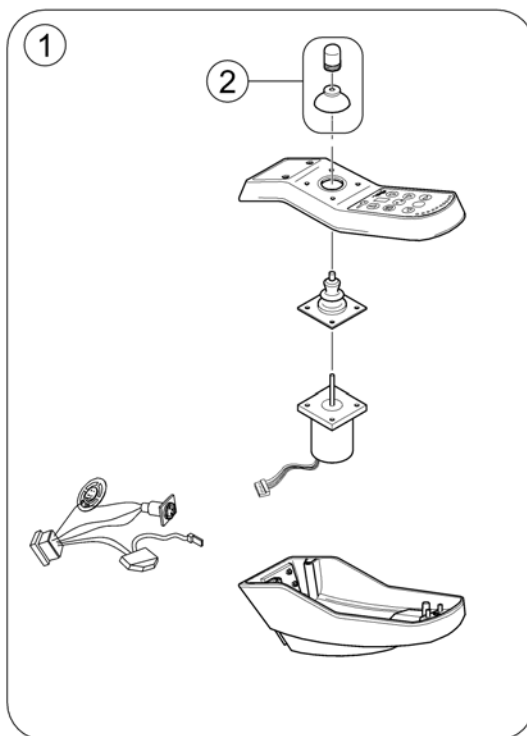
Pos.	Part number	Description	Valid from → until	Qty
1	-	REM 24 SD with brackets <i>[1601/1602]</i>		1
2	-	Remote REM A with Brackets <i>[1638/1643]</i>		1
3	-	REM 550 with brackets <i>[1617/1618]</i>		1
4	-	REM 34 with brackets <i>[1611]</i>		1
5	-	G90A with brackets <i>[1614/1616]</i>		1
6	-	G91S with brackets <i>[1615]</i>		1
7	-	Centre control REM 41 <i>[1607/1608]</i>		1
8	-	Small Chin Control with brackets <i>[1609]</i>		1
9	-	Dual Control with brackets - Modulite Seat <i>[1291/1292]</i>	→ 2015-06-30	1
10	-	Compact Dual Control with brackets <i>[1720]</i>	2015-07-01 →	1
11	-	Intuitive Dual Control with brackets <i>[1645]</i>		1



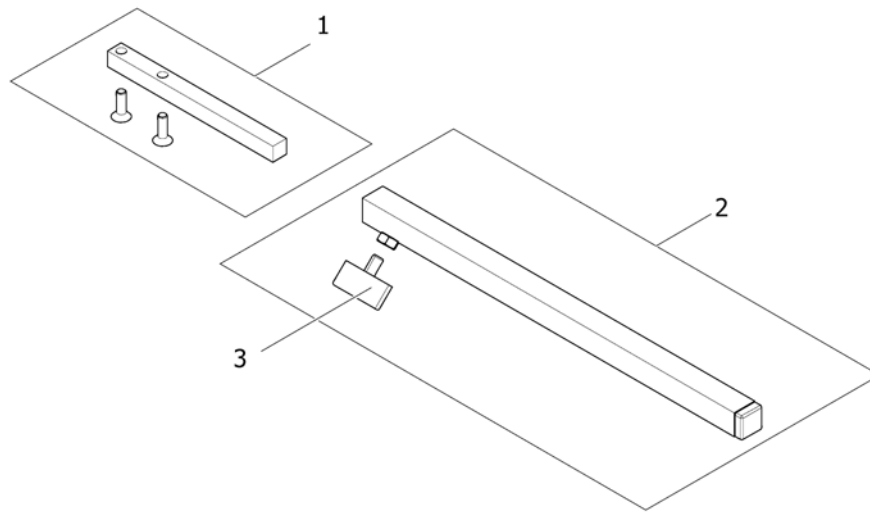
Pos.	Part number	Description	Valid from → until	Qty
1	-	Remote REM 24SD [1601/1602]		0
2	-	Remote Bracket Standard [1601+1207/1208]		1
3	-	Remote Bracket Swing away & height adjust. [1601+1707/1708]		1
4	-	Remote Bracket Attendant [1602+1207/1208]		1

Remote REM 24SD

142202 00



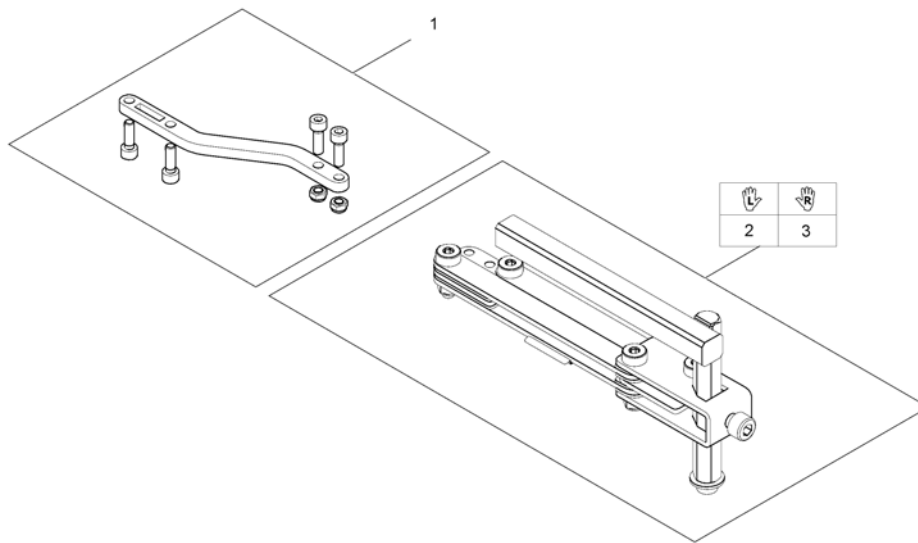
Pos.	Part number	Description	Valid from → until	Qty
1	1436541	Remote REM24SD		1
2	SPZ183229	Remote knob cpl.		1



Pos.	Part number	Description	Valid from → until	Qty
1	SP1436542	Support, Standard		1
2	SPS183040	Remote Bracket, Standard		1
3	L31001	Wing Screw M6X10		1

Remote Bracket Swing away & height adjust.

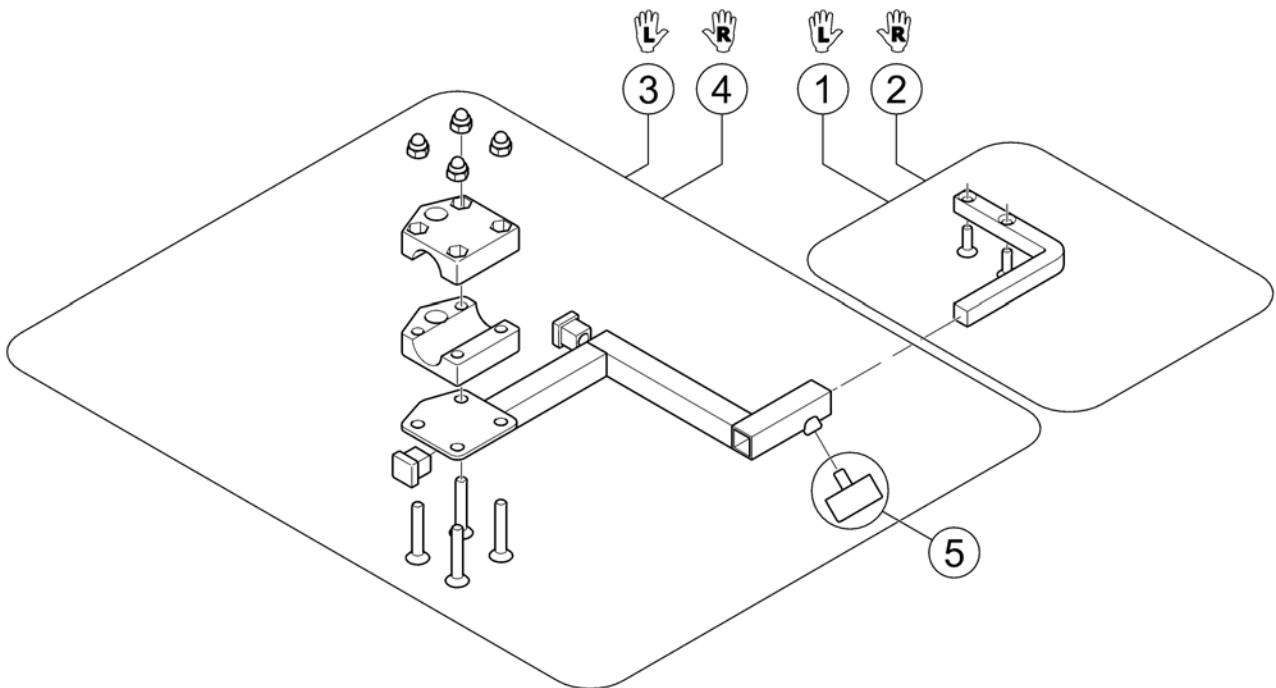
1559852.iso



Pos.	Part number	Description	Valid from → until	Qty
1	SP1498222	Remote Support for Bracket height adjustable and swing away		1
2	SP1496249	Remote bracket, height adjustable & swing away, LH		1
3	SP1496248	Remote bracket, height adjustable & swing away, RH		1

Remote Bracket Attendant

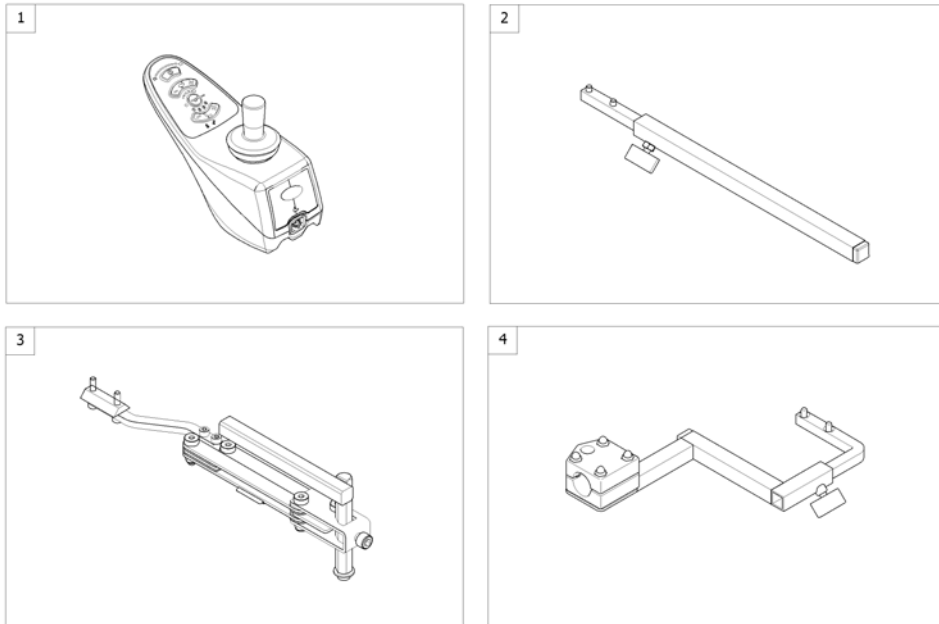
1560837.00



Pos.	Part number	Description	Valid from → until	Qty
1	1422806	Remote Support LH		1
2	1422810	Remote Support RH		1
3	SP1422937	Bracket for attendant control LH		1
4	SP1422936	Bracket for attendant control RH		1
5	L31001	Wing Scew M6X10		1

Remote REM A with Brackets

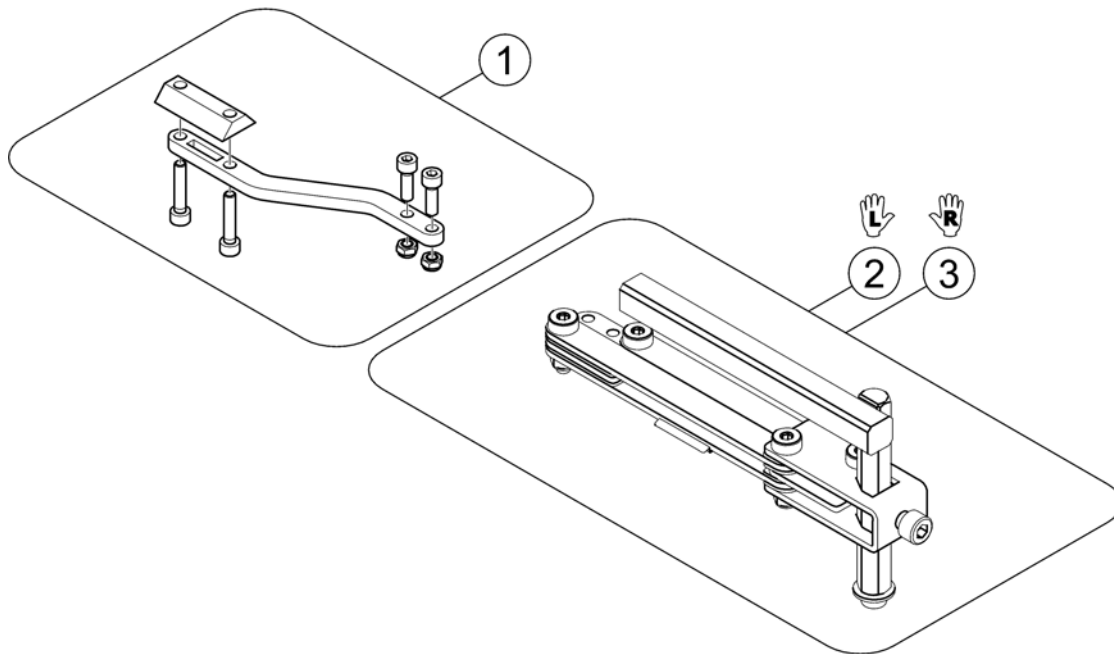
1586140.iss



Pos.	Part number	Description	Valid from → until	Qty
1	SP1523440	Remote "REM A" <i>[1638/1643]</i>		1
2	-	Remote Bracket Standard <i>[1638+1207/1208]</i>		1
3	-	Remote Bracket Swing away & height adjust. <i>[1638+1707/1708]</i>		1
4	-	Remote Bracket Attendant <i>[1643+1207/1208]</i>		1

Remote Bracket Swing away & height adjust.

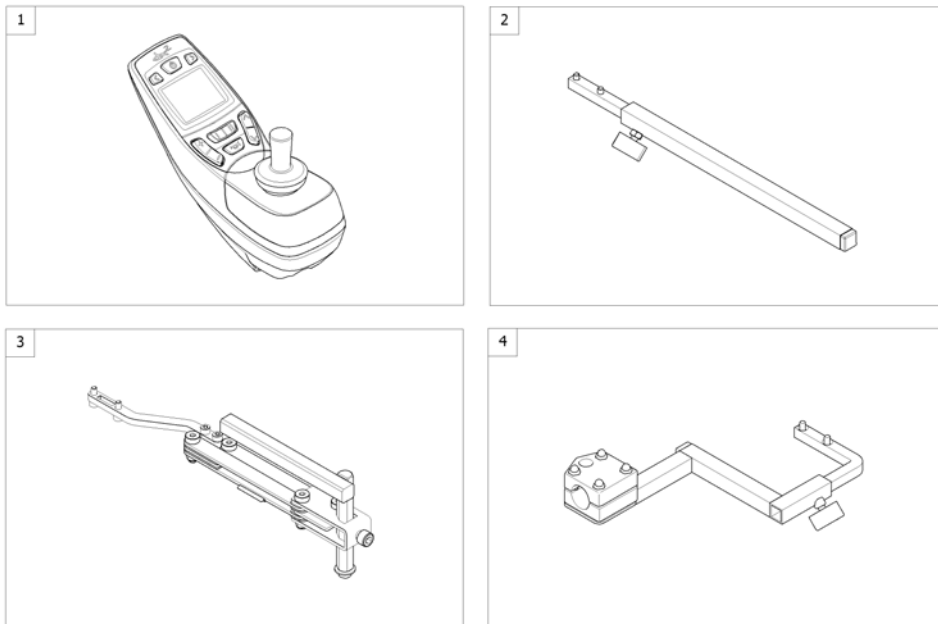
1559857.iso



Pos.	Part number	Description	Valid from → until	Qty
1	SP1536180	Support for Remote Bracket, height adjustable & swing away		1
2	SP1496249	Remote bracket, height adjustable & swing away, LH		1
3	SP1496248	Remote bracket, height adjustable & swing away, RH		1

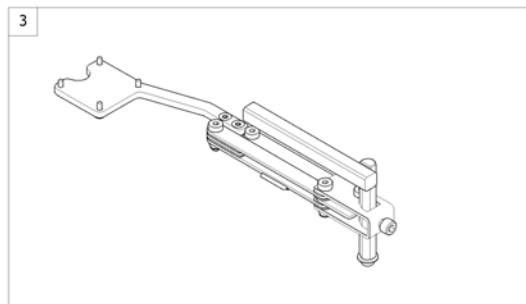
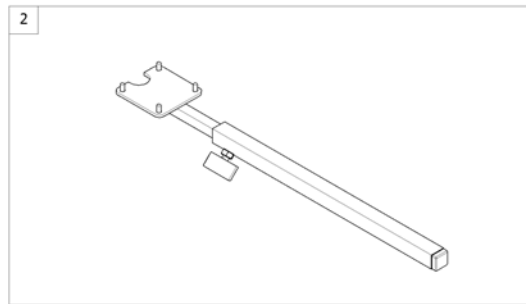
REM 550 with brackets

1562658.iss



Pos.	Part number	Description	Valid from → until	Qty
1	SP1523444	Remote REM550 <i>[1617/1618]</i>		1
2	-	Remote Bracket Standard <i>[1617+1207/1208]</i>		1
3	-	Remote Bracket Swing away & height adjust. <i>[1617+1207/1208]</i>		1
4	-	Remote Bracket Attendant <i>[1618+1207/1208]</i>		1

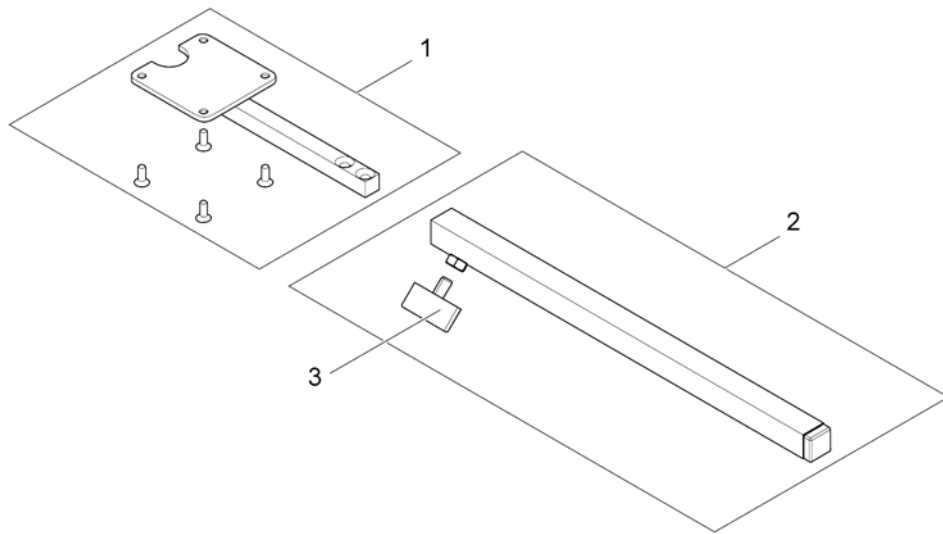
1560846 iso



Pos.	Part number	Description	Valid from → until	Qty
1	SP1440677	Remote REM 34 [1611]		1
2	-	Remote Bracket Standard [1611+1207/1208]		1
3	-	Remote Bracket Swing away & height adjust. [1611+1707/1708]		1

Remote Bracket Standard

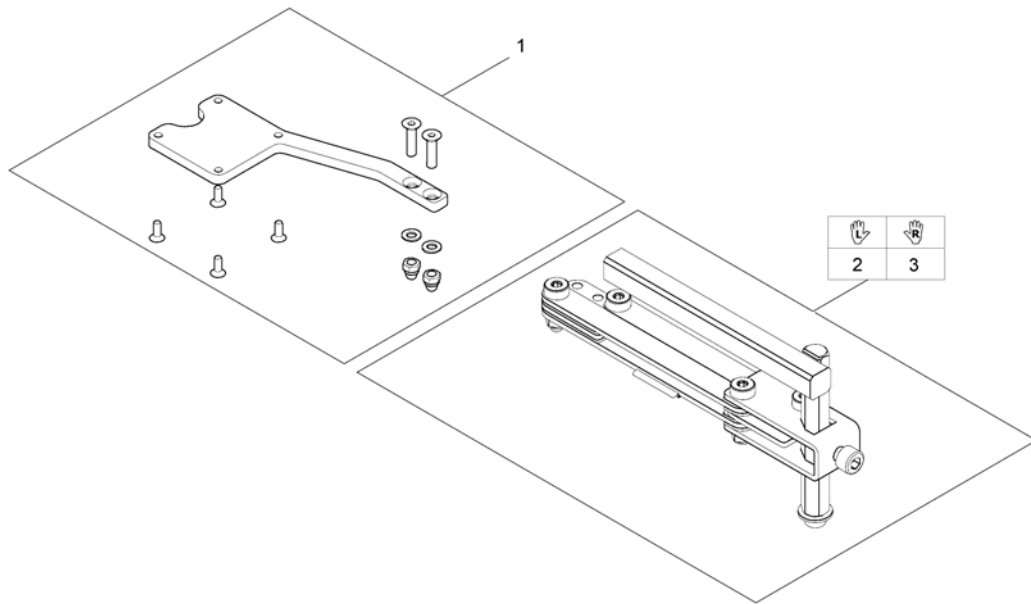
1560844.iso



Pos.	Part number	Description	Valid from → until	Qty
1	SP1434921	Remote Support Standard		1
2	SPS183040	Remote Bracket, Standard		1
3	L31001	Wing ScREW M6X10		1

Remote Bracket Swing away & height adjust.

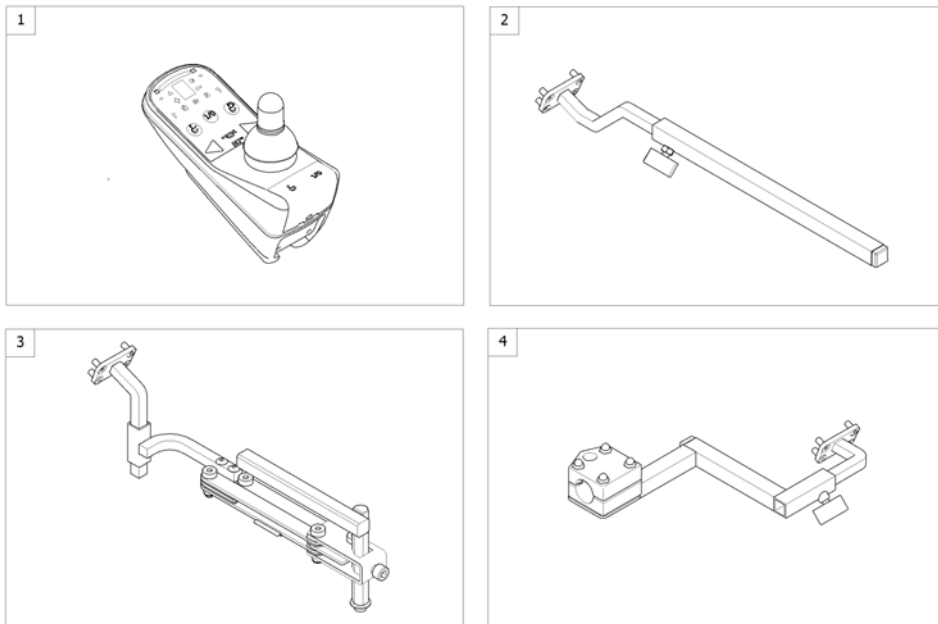
1560845.iso



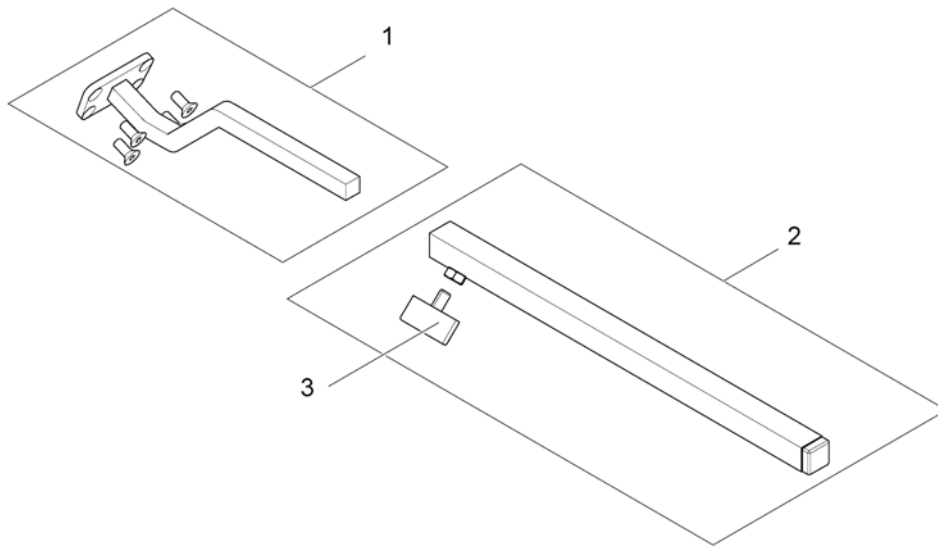
Pos.	Part number	Description	Valid from → until	Qty
1	SP1527125	Remote Support for Bracket height adjustable and swing away		1
2	SP1496249	Remote bracket, height adjustable & swing away, LH		1
3	SP1496248	Remote bracket, height adjustable & swing away, RH		1

G90A with brackets

1562659.iss



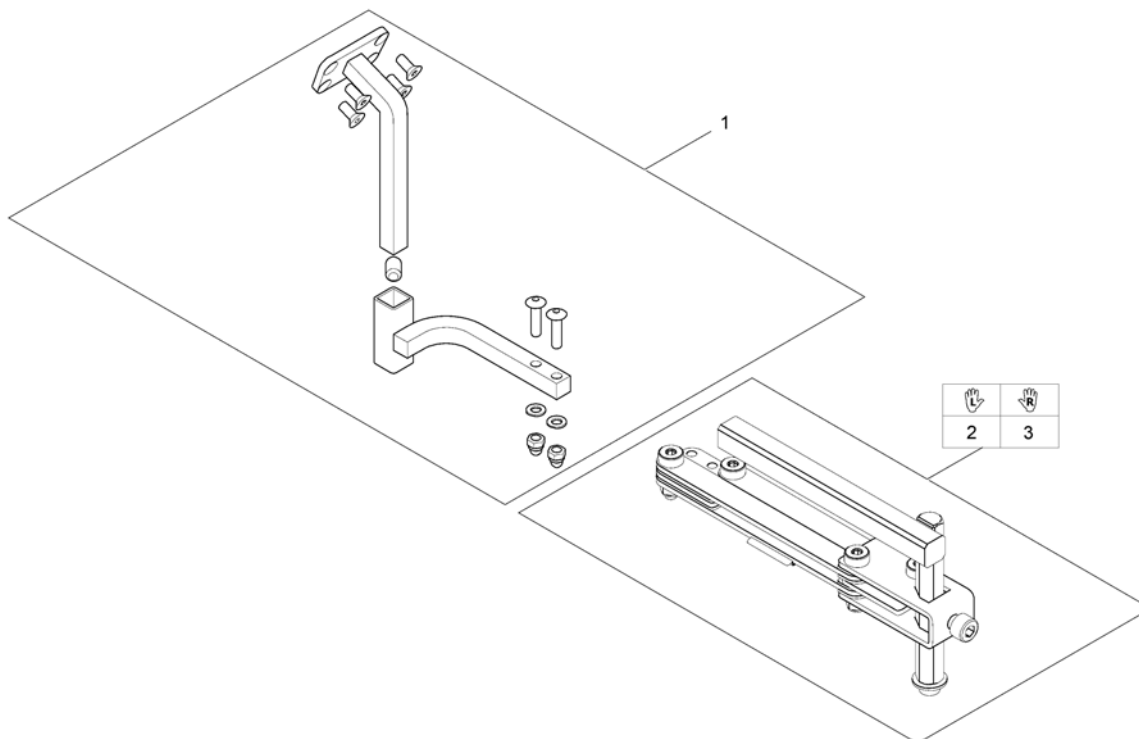
Pos.	Part number	Description	Valid from → until	Qty
1	SP1504720	Remote G90A [1614/1616]		1
2	-	Remote Bracket Standard [1614+1207/1208]		1
3	-	Remote Bracket Swing away & height adjust. [1614+1707/1708]		1
4	-	Remote Bracket Attendant [1616+1207/1208]		1



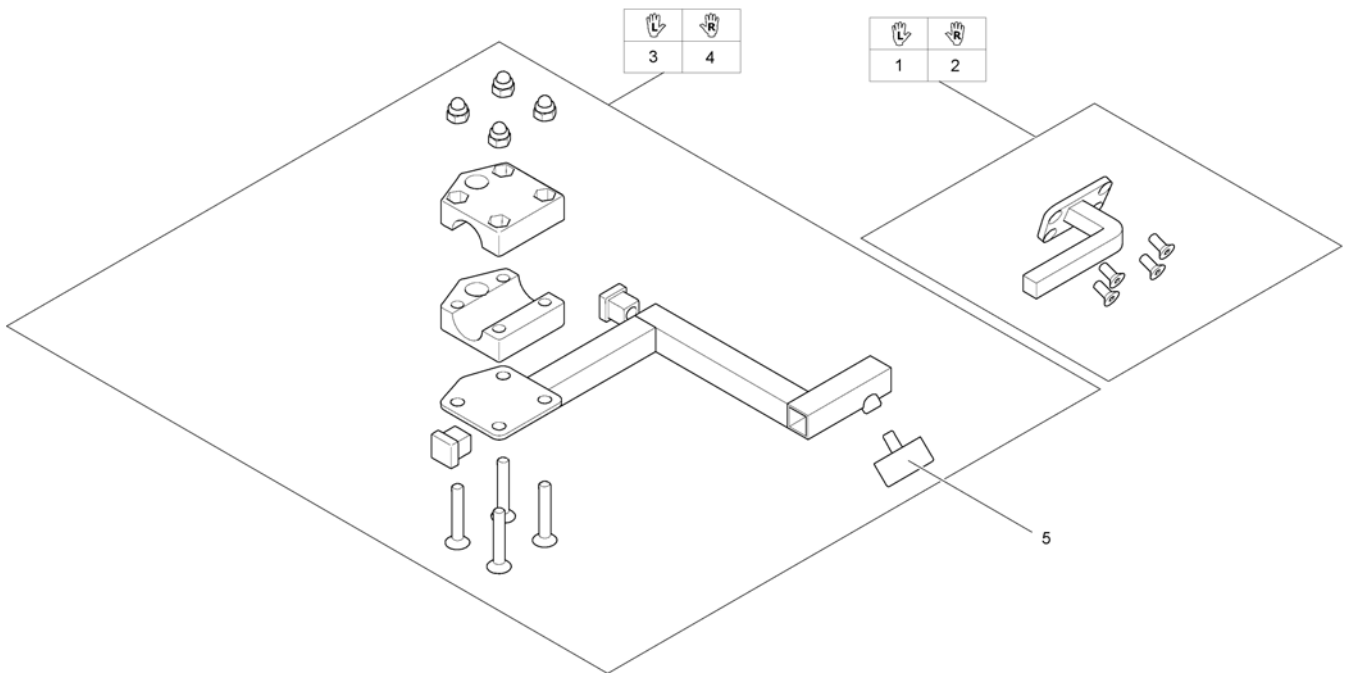
Pos.	Part number	Description	Valid from → until	Qty
1	SP1504822	Remote Support Standard		1
2	SPS183040	Remote Bracket, Standard		1
3	L31001	Wing ScREW M6X10		1

Remote Bracket Swing away & height adjust.

1560310.iso



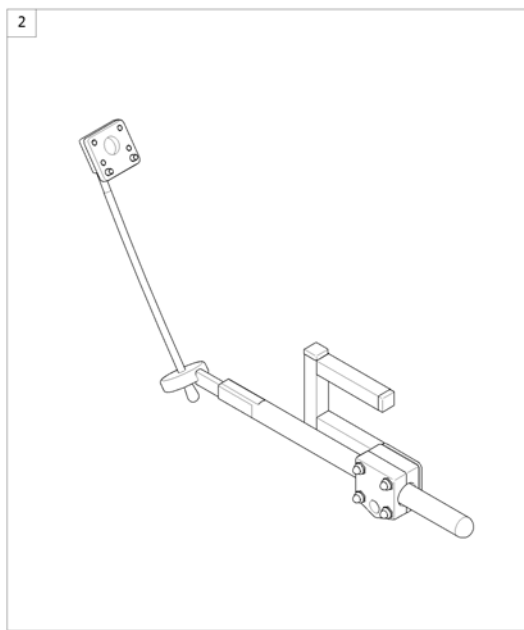
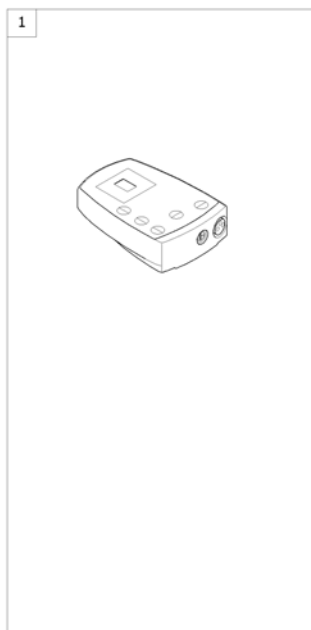
Pos.	Part number	Description	Valid from → until	Qty
1	SP1517352	Remote Support for Bracket height adjustable and swing away		1
2	SP1496249	Remote bracket, height adjustable & swing away, LH		1
3	SP1496248	Remote bracket, height adjustable & swing away, RH		1



Pos.	Part number	Description	Valid from → until	Qty
1	SP1509435	Remote Support attendant control G90A, LH		1
2	SP1509439	Remote Support attendant control G90A, RH		1
3	SP1422937	Bracket for attendant control LH		1
4	SP1422936	Bracket for attendant control RH		1
5	L31001	Wing ScREW M6X10		1

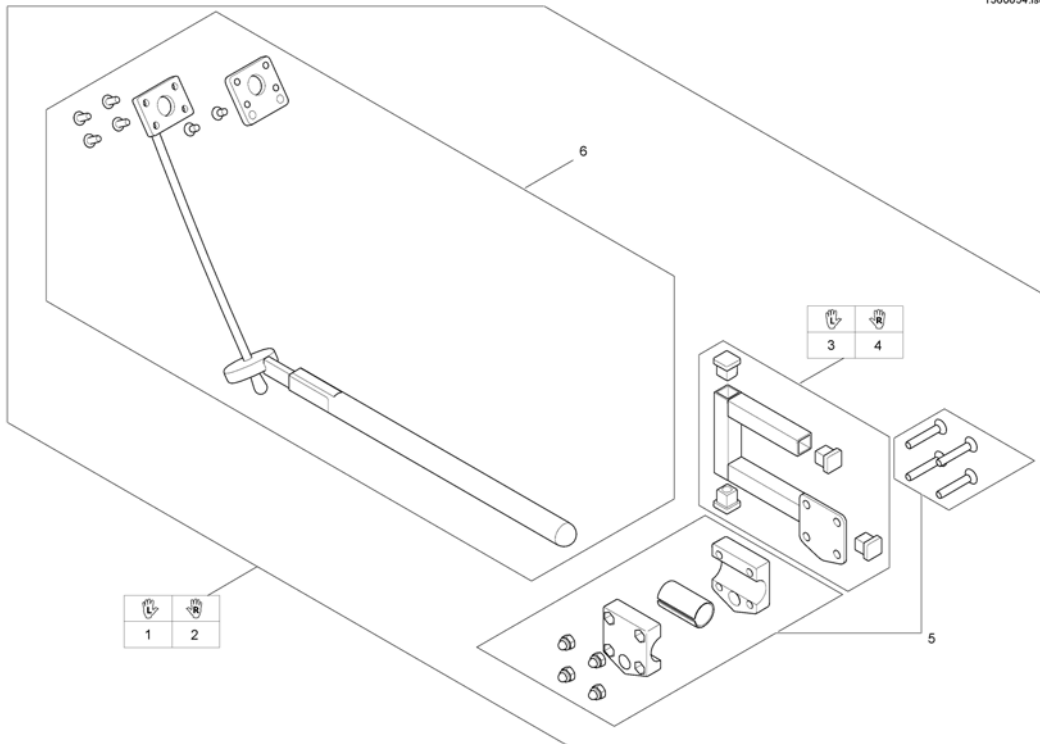
G91S with brackets

1560850 iso



Pos.	Part number	Description	Valid from → until	Qty
1	SP1505187	Remote Control G91S <i>[1615]</i>		1
2	-	Remote Bracket Standard <i>[1615+1207/1208]</i>		1

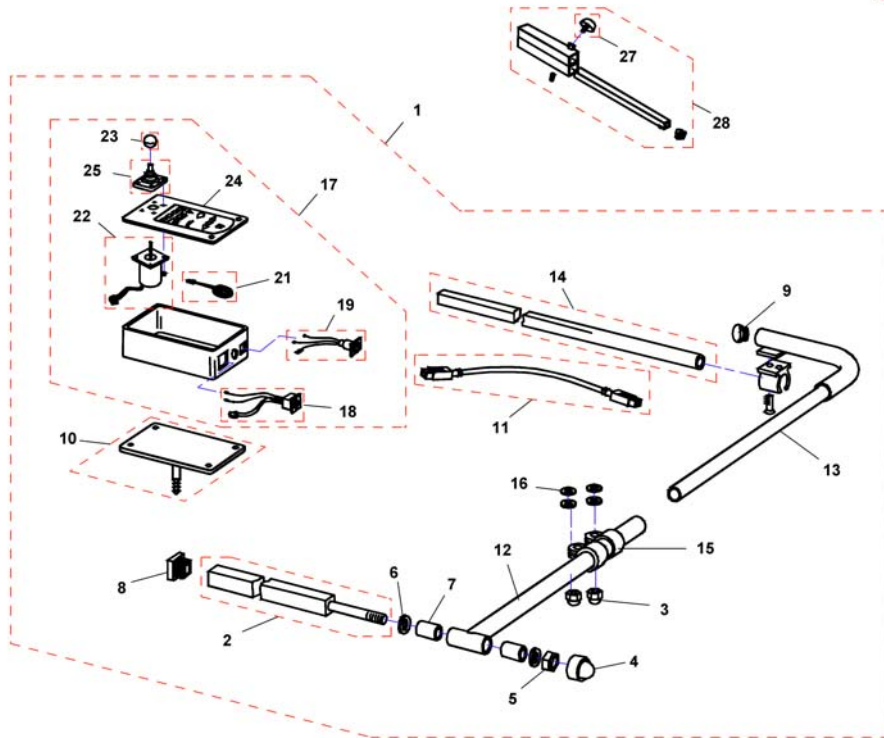
1560654.iso



Pos.	Part number	Description	Valid from → until	Qty
1	SP1509718	Remote Bracket G91/G91S LH, cpl		1
2	SP1509690	Remote Bracket G91/G91S RH, cpl.		1
3	SP1509716	Adapter G91 LH		1
4	SP1509711	Adapter G91 RH		1
5	SP1527503	Gripper clamp cpl.		1
6	SP1527504	Swan neck remote bracket with adapter plate		1

Centre control REM 41

F383057.dwg

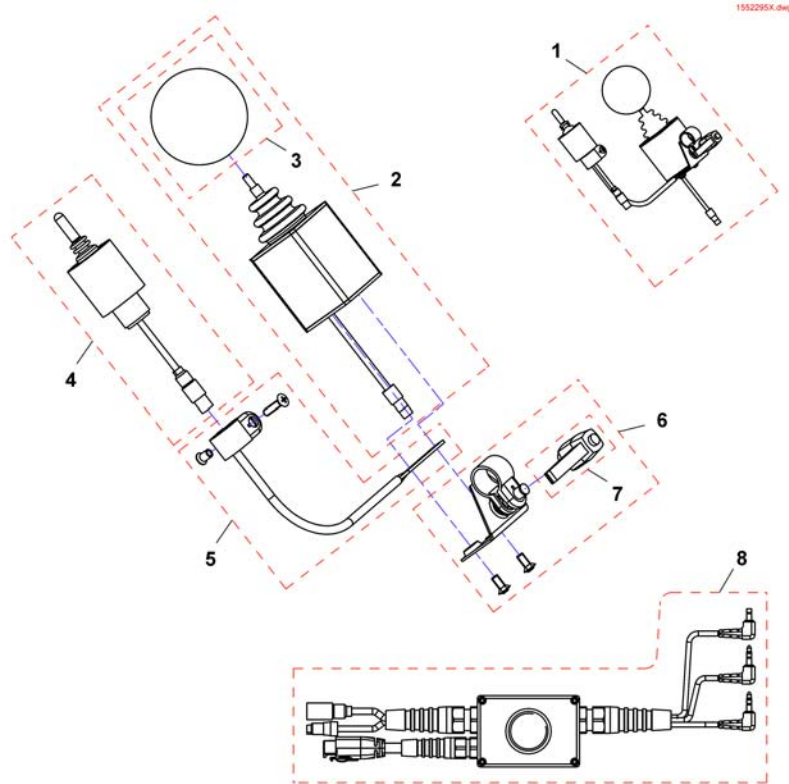


Pos.	Part number	Description	Valid from → until	Qty
-	Q99081	User Manual Table- & Middle Control REM41-S German		1
1	SP1530588	CENTRAL STEERING CPL.; SWING-AWAY RH, REM41-D		1
1	SP1530589	CENTRAL STEERING CPL.; SWING-AWAY LH, REM41-D		1
2	Z177024.00	SUPPORT TUBE; CHROME PLATED		1
3	F60208	Cap nut DIN1587-M08 zc		1
4	L01037	Sks Nut Cap M12		1
5	F20106	Hexagon nut DIN985-M12 zc		1
6	G00104	Washer DIN125-Ø13 zc		1
7	Z17032A	Bush Rd. 19 X 3.5 X 25		1
8	L01055	Plug 15x15mm		1
9	L01008	Tube End Plug SI 22		1
10	Z183216.P40	SUPPORT BRACKET; RAL 9005 BLACK		1
11	1559862	Bus cable ACS, 1700mm		1
12	Z183089.00	SWING ARM; CHROME PLATED		1
13	Z183086.00	SUPPORT ARM RH; CHROME PLATED		1
13	Z183092.00	SUPPORT ARM LH; CHROME PLATED		1
14	H281005A.00	MIRROR SUPPORT RAIL; CHROME PLATED		1
15	5006720	Klemmschelle F. Dm 22 mm		1
16	G00106	Washer DIN125-A-Ø8,4 zc		1
17	SP1527930	DX ACS Tray Remote DX-REM41		1
18	P41108	ACS-BUS CABLE SOCKET		1
19	P41106	CHARGER SOCKET		1
21	P30493	HORN		1
22	GSM55120	ACS-remote WITH 180MM CABLE		1
23	L36999	KNOB FOR remote 32 MM, HOLE 5.8 MM		1
24	-	No longer available.		0
25	Z183001A	Rubber gaiter for ACS remote		1
26	Z183289	CENTRAL STEERING SUPPORT TUBE CPL.		1
27	L31001	Wing ScREW M6X10		1
28	Z183289	CENTRAL STEERING SUPPORT TUBE CPL.		1

Small Chin Control with brackets

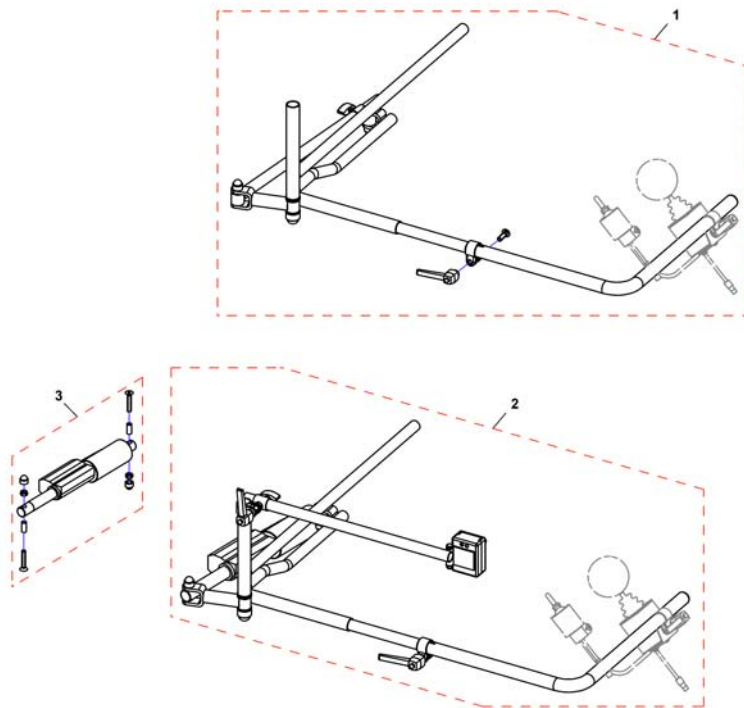
Pos.	Part number	Description	Valid from → until	Qty
-		Small Chincontrol		1
-		Framework for chincontrol		1

Small Chincontrol



Pos.	Part number	Description	Valid from → until	Qty
1	1448705	Chin control REM24, cpl.		1
1	1421770	Chin control G80/G90, cpl.		1
1	SP1544255	Chin control G91, cpl.		1
2	Z183282	Joystick, kmpl.		1
3	Z183265	Foam control knob cpl.		1
4	1442943	Switchjoystick REM24, kmpl.		1
4	Z183283	Switchjoystick G80/G90, cpl.		1
4	SP1544250	Switchjoystick G91, kmpl.		1
5	SP1552294	Switchjoystick bracket		1
6	SP1552295	Joystick clamp		1
7	L32901	Clampinglever		1
8	SP1442944	Harness REM24		1
8	Z183275	Harness G80/G90		1
8	SP1541715	Harness G91		1

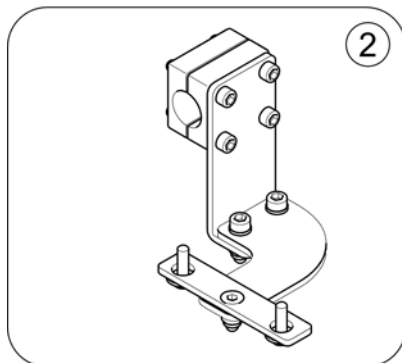
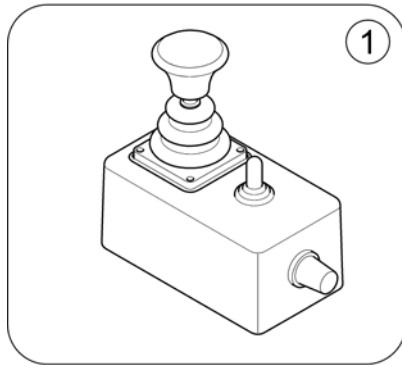
Framework for chincontrol



Pos.	Part number	Description	Valid from → until	Qty
-	Z167994	CHIN CONTROL SUPPORT . CPL. <i>Not shown / Nicht abgebildet / Non illustré</i>		1
1	SP1422943	Framework for chin control, manual, horizontal swing away, LH, cpl.		1
1	SP1422942	Framework for chin control, manual, horizontal swing away, RH, cpl.		1
2	SP1422945	Framework for chincontrol, powered, horizontal swing away, LH, cpl. <i>incl. Actuator</i>		1
2	SP1422944	Framework for chin control, powered, horizontal swing away, RH, cpl. <i>incl. Actuator</i>		1
-	SP1552335	Hardware, chin control, powered, horizontal swing away, LH <i>Not shown / Nicht abgebildet / Non illustré</i>		1
-	SP1552336	Hardware, chin control, powered, horizontal swing away, RH <i>Not shown / Nicht abgebildet / Non illustré</i>		1
-	SP1422946	Framework for chincontrol, powered, vertikal swing away <i>Not shown / Nicht abgebildet / Non illustré</i>		1
3	SP1552337	Actuator for horizontal swing away chin control, cpl.		1
3	SP1552418	Gestell für Kinnbedienung, elektrisch, vertikal abschwenkbar <i>Not shown / Nicht abgebildet / Non illustré</i>		1

Dual Control with brackets - Modulite Seat

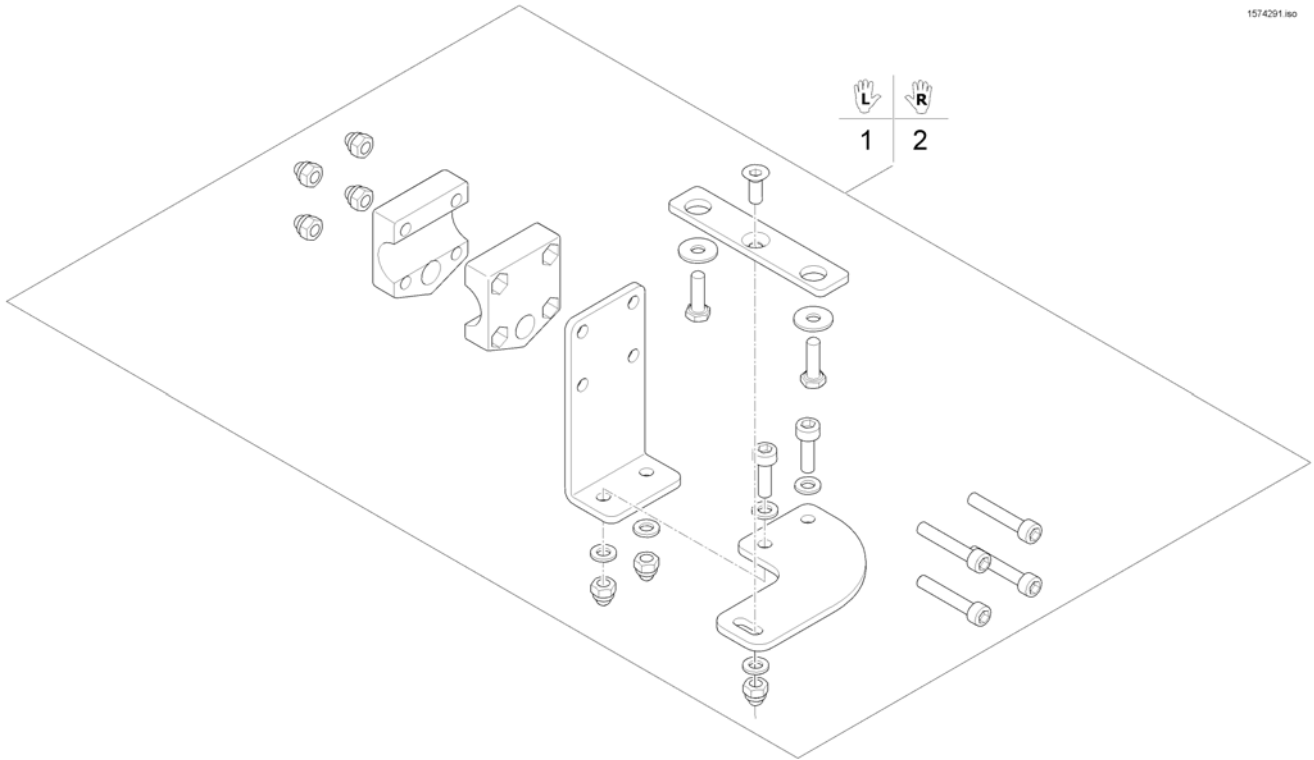
1583353.no



Pos.	Part number	Description	Valid from → until	Qty
1	6001425	ACS dual control [1291/1292]		1
2	-	Remote Bracket Dual Control for Modulite Seat		1

Remote Bracket Dual Control for Modulite Seat

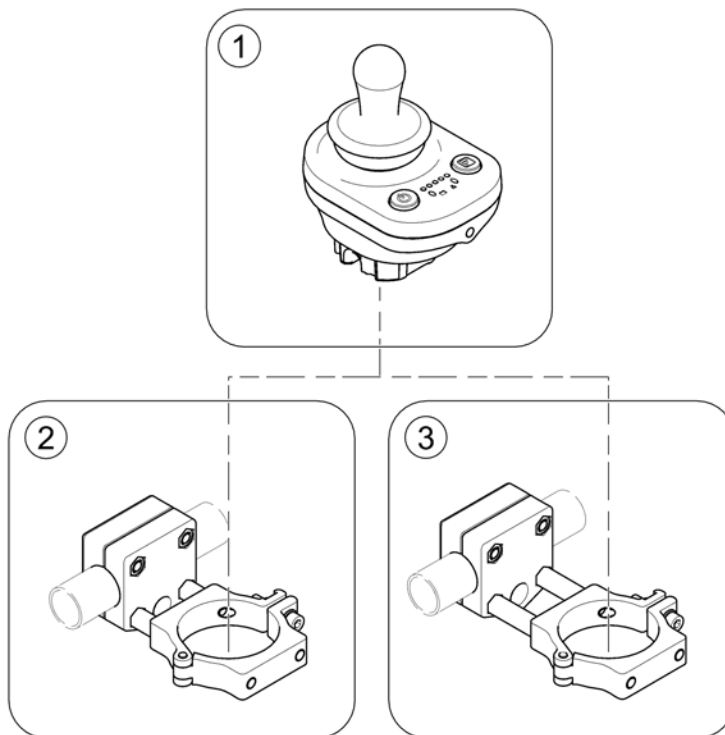
1574291 iso



Pos.	Part number	Description	Valid from → until	Qty
1	SP1571799	Remote Bracket Dual Control LH		1
2	SP1571800	Remote Bracket Dual Control RH		1

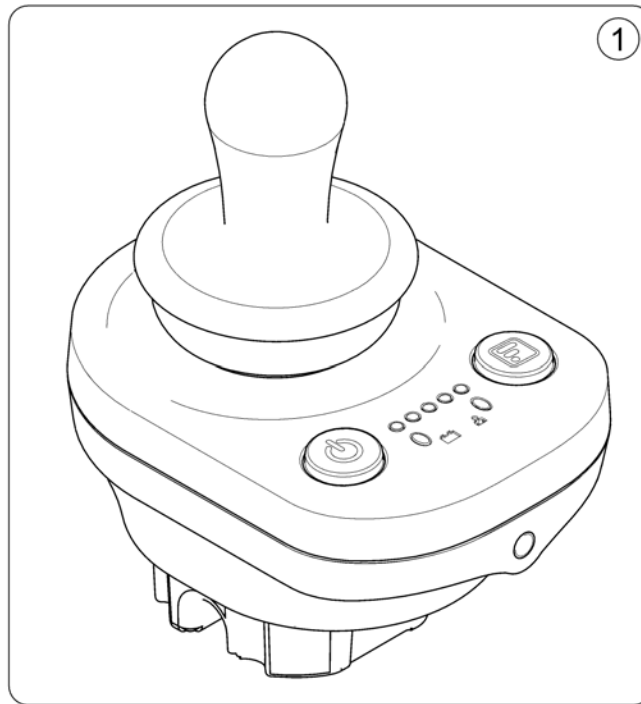
Compact Dual Control with brackets

1588862.000



Pos.	Part number	Description	Valid from → until	Qty
1	-	Compact Dual Control		1
2	-	Bracket, Compact Dual Control - short		1
3	-	Bracket, Compact Dual Control - long		1

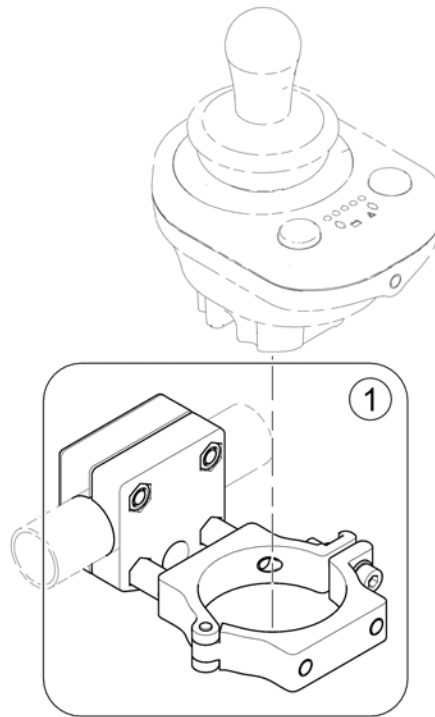
1586988.iss



Pos.	Part number	Description	Valid from → until	Qty
1	SP1586988	Remote DX2-ACU		1

Bracket, Compact Dual Control - short

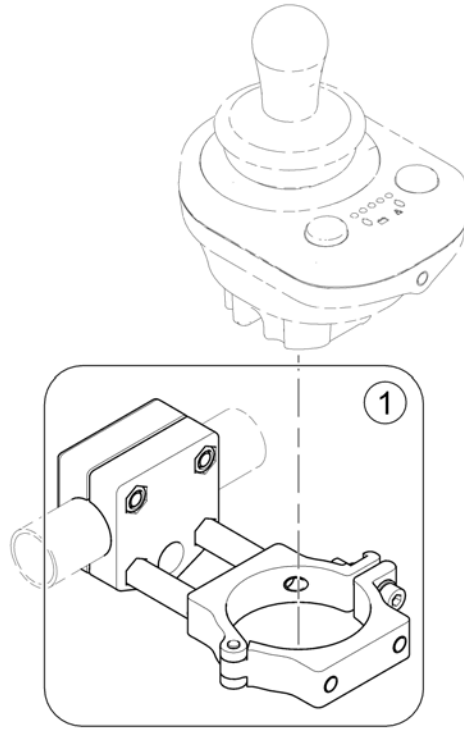
1588857.jpg



Pos.	Part number	Description	Valid from → until	Qty
1	SP1587904	Remote Attachment - short		1

Bracket, Compact Dual Control - long

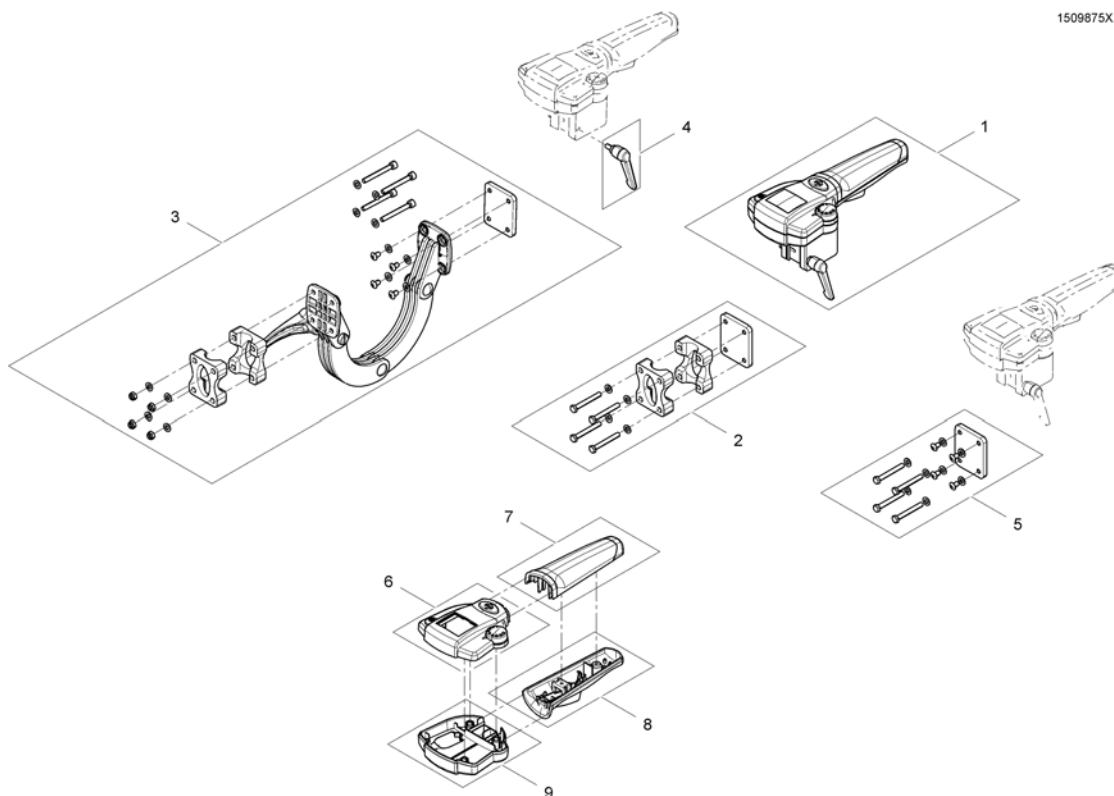
158856 iso



Pos.	Part number	Description	Valid from → until	Qty
1	SP1587119	Remote Attachment - long		1

Intuitive Dual Control with brackets

1509875X.iso



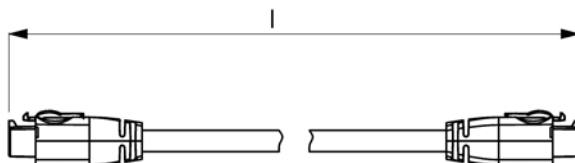
Pos.	Part number	Description	Valid from → until	Qty
1	SP1509875	Intuitiv Dual Control (IDC) <i>For chairs build before 01/02/10 please also order SP1537148</i>		1
2	SP1522310	Fixed bracket		1
3	SP1521488	Adjustable bracket		1
4	SP1510135	Clamp lever M5x10		1
5	SP1537148	Supportplate IDC for chairs before 01.02.10		1
6	SP1579573	Upper Housing		1
7	SP1511060	Handhold upper part		1
8	SP1511099	Handhold lower part		1
9	SP1510470	Housing lower part		1

ACS Cable & Accessories

Pos.	Part number	Description	Valid from → until	Qty
-		Bus-Cables ACS		1
-		T-Adapter - Modulite Seat		1
-		Programming Kits		1
-		Magnetkey for Remotes		1

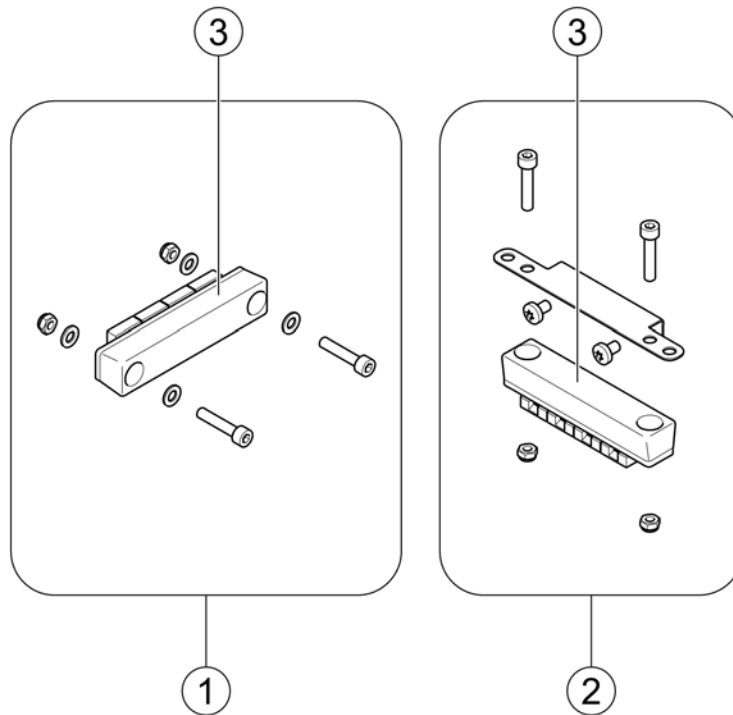
Bus-Cables ACS

ACSBUSKABEL.iso



Position	length l [mm]
1	300
2	500
3	700
4	1100
5	1700
6	2000
7	2500
8	2700
9	1060

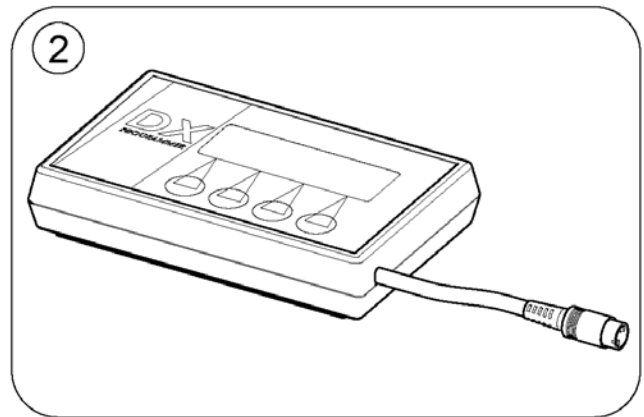
Pos.	Part number	Description	Valid from → until	Qty
1	GSM63003	Bus cable ACS, 300mm		1
2	SPGSM63005	Bus cable ACS, 500mm <i>Replace GSM63004</i>		1
3	GSM63007	Bus cable ACS 700mm		1
4	GSM63011	Bus cable ACS, 1100mm		1
5	1559862	Bus cable ACS, 1700mm <i>Replace GSM63016</i>		1
6	GSM63020	Bus cable ACS, 2000mm <i>Replace 1419386</i>		1
7	1440424	Bus cable ACS, 2500mm		1
8	SP1559873	Bus cable ACS, 2700mm <i>Replace GSM63026</i>		1
9	SP1550402	Extension cable ACS, 1060mm		1



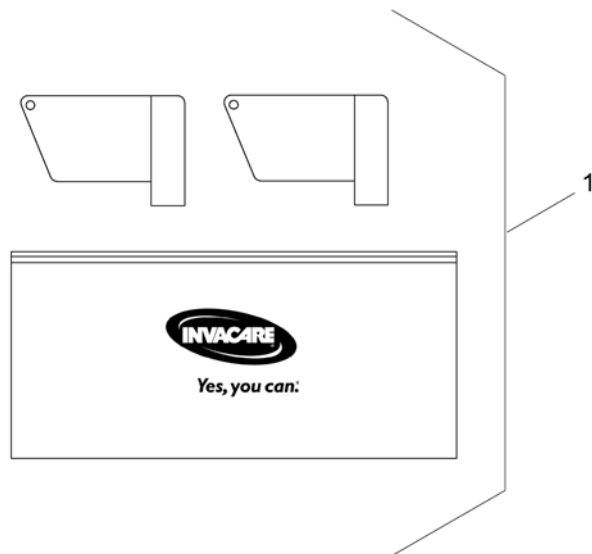
Pos.	Part number	Description	Valid from → until	Qty
1	SP1571826	T-Adapter - Modulite Seat		1
2	SP1569958	T-Adapter - Modulite Seat with MBL-Modul		1
3	P10072	ACS-Bus T-Adapter (Splitter)		1

Programming Kits

1584805 iso



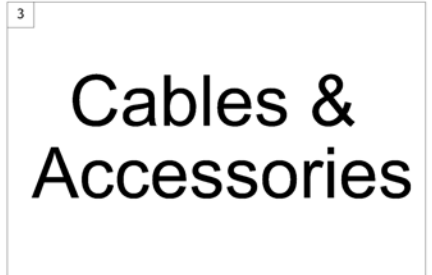
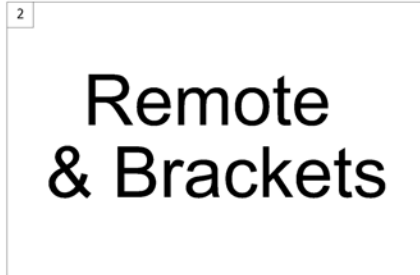
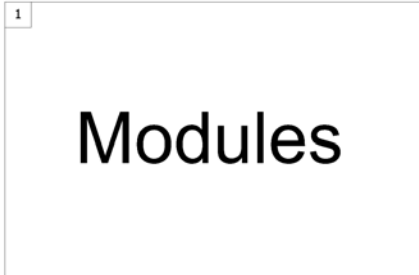
Pos.	Part number	Description	Valid from → until	Qty
1	1449280	USW wizard dongle kit, EDL-USW, cpl.		1
2	6001450	Hand Programmer, Instrucions In French, German, Spanish		1
	SP1441551	Programming Adapter Shark DK-ADAPT (necessary to program Shark)		1



Pos.	Part number	Description	Valid from → until	Qty
1	SP1419695	Magnet key with bag		1

Shark Electronic

1500784.indd

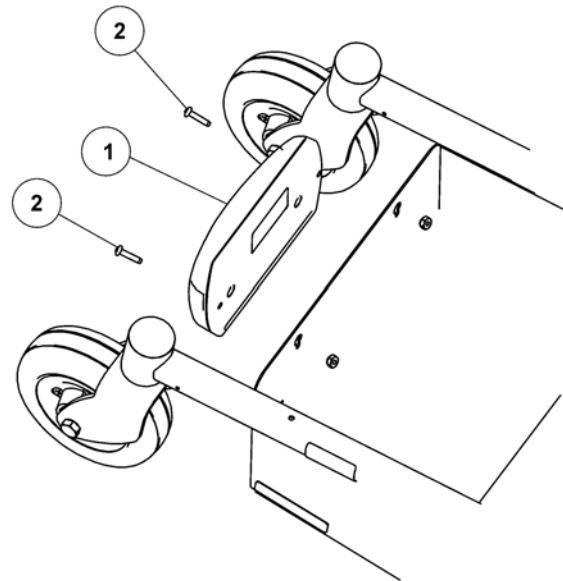
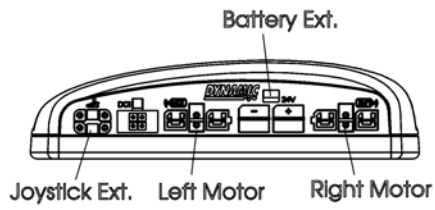


Pos.	Part number	Description	Valid from → until	Qty
1	-	Powermodule		1
2	-	Shark Remote & Brackets		1
3	-	Shark Cables & Accessories		1

Powermodule

1143839X.dwg

Controller Connections



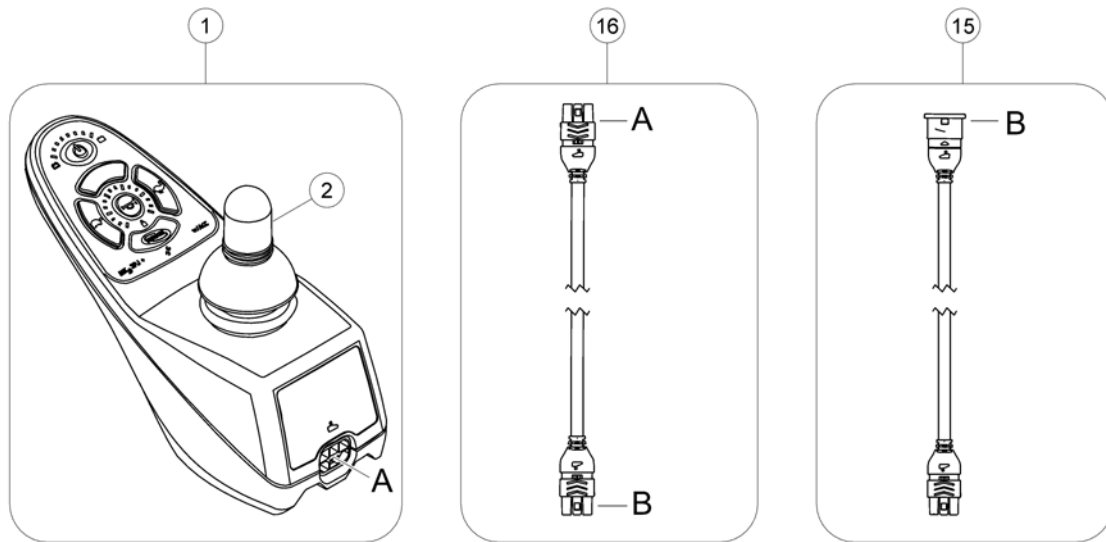
Pos.	Part number	Description	Valid from → until	Qty
1	SP1183261	Powermodule, RBE		1
2	SP1127352	Screw, Phillips Pan Head (#8-32x1")		2

Shark Remote & Brackets

Pos.	Part number	Description	Valid from → until	Qty
-		Remote & Cables		1
-		Remote Brackets, Standard & Swing Away		1
-		Remote Bracket for Captain's Seat		1

Remote & Cables

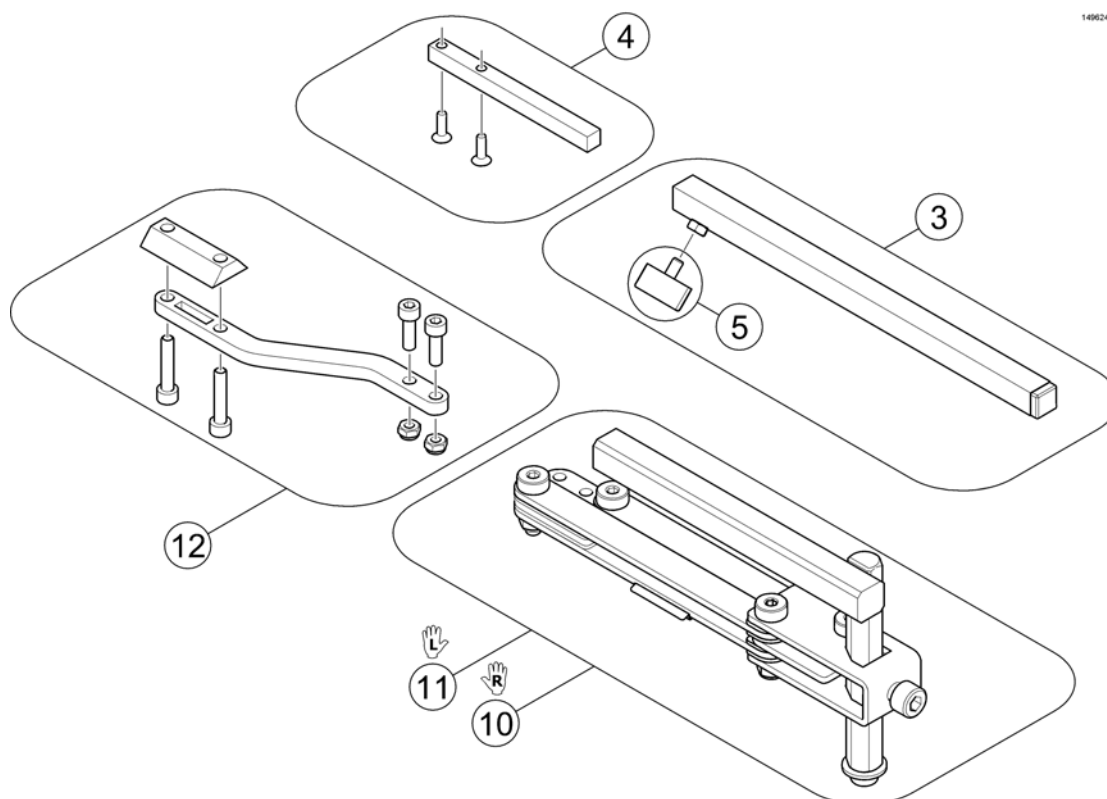
1127291.iso



Pos.	Part number	Description	Valid from → until	Qty
1	SP1127291	Joystick, SPJ+		1
2	P10399	Joystick Knob		1
15	1116404	Extension Cable Shark 900mm		1
16	1448922	Bus Cable Shark 1000mm		1

Remote Brackets, Standard & Swing Away

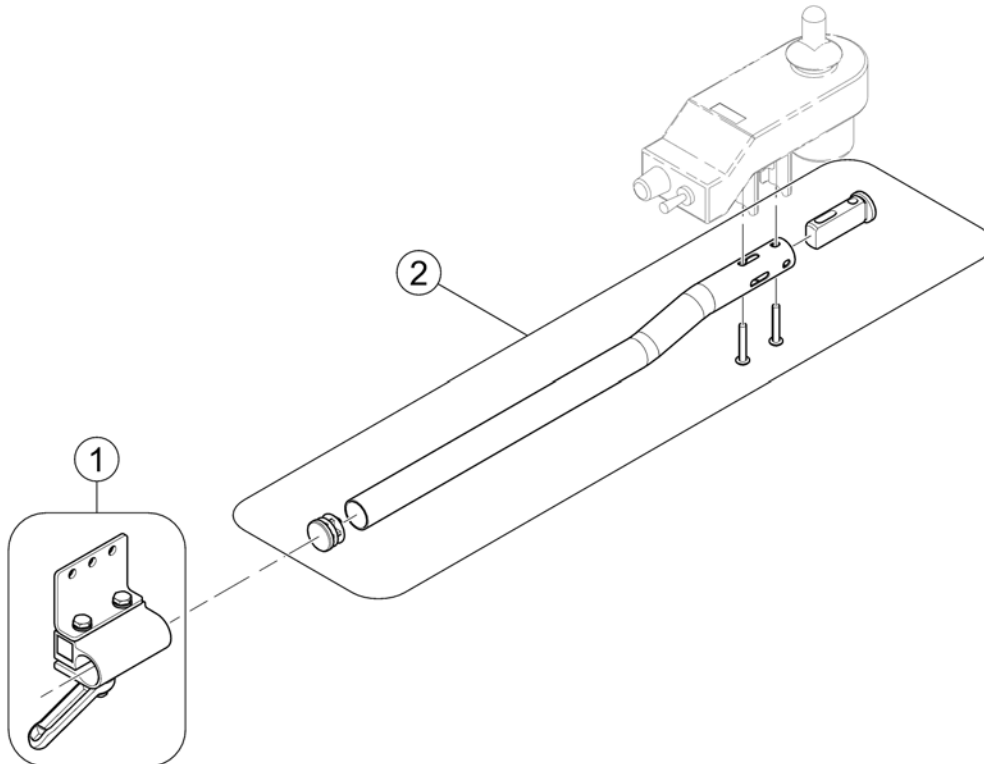
1496248 iso



Pos.	Part number	Description	Valid from → until	Qty
3	SPS183040	Remote Bracket, Standard		1
4	SP1436542	Support, Standard		1
5	L31001	Wing ScREW M6X10		1
10	SP1496248	Remote bracket, height adjustable & swing away, RH		1
11	SP1496249	Remote bracket, height adjustable & swing away, LH		1
12	SP1536180	Support for Remote Bracket, height adjustable & swing away		1

Remote Bracket for Captain's Seat

1577789.iso



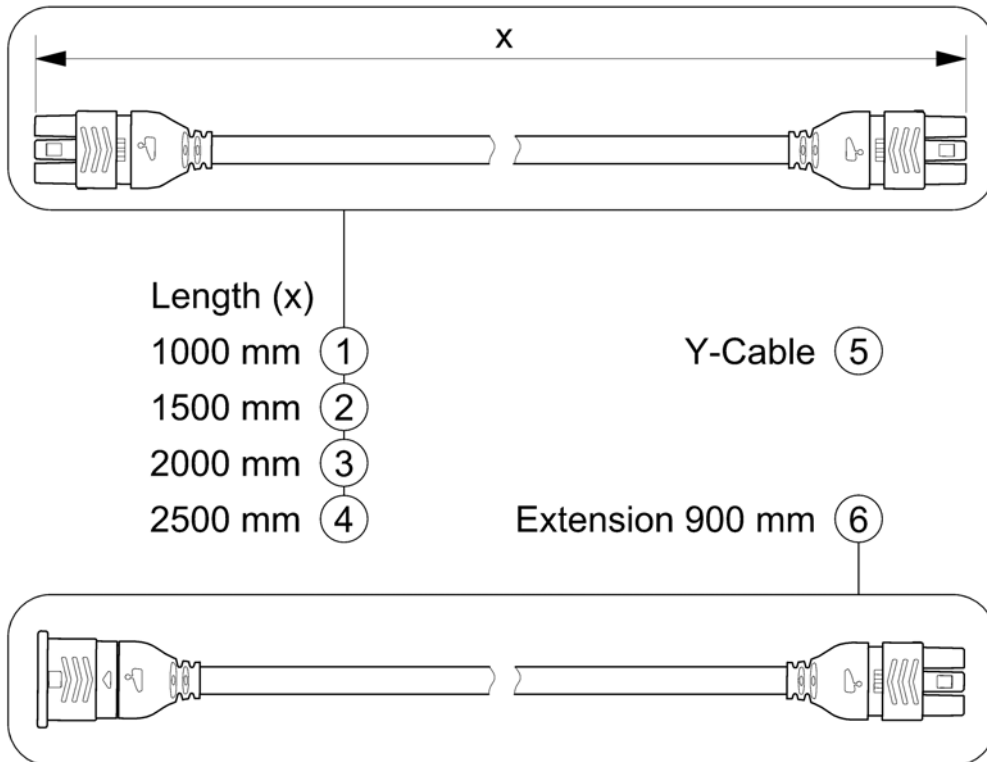
Pos.	Part number	Description	Valid from → until	Qty
1	SP1105049	Support for Remote Bracket, Captain's Seat		1
2	SP1093069	Remote bracket, Captain's Seat		1

Shark Cables & Accessories

Pos.	Part number	Description	Valid from → until	Qty
1	-	Bus-Cables Shark		1
2	-	Programming Kits		1

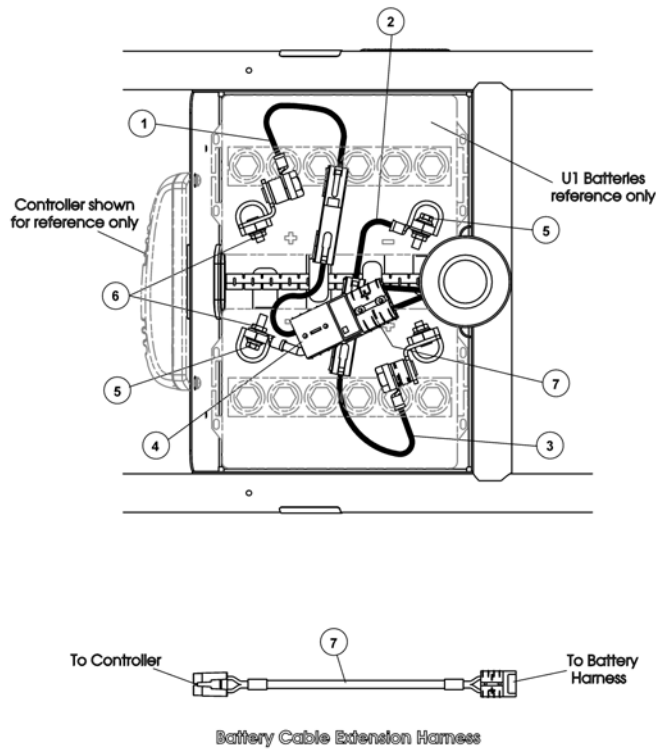
Bus-Cables Shark

SHARKBUSKABEL.00



Pos.	Part number	Description	Valid from → until	Qty
1	1448922	Bus Cable Shark 1000mm		1
2	1450313	Buscable Shark 1500mm		1
3	1484911	Buscable Shark 2000mm		1
4	SP1510073	Buscable Shark 2500mm		1
5	1450314	Y-Cable		1
6	1116404	Extension Cable Shark 900mm		1

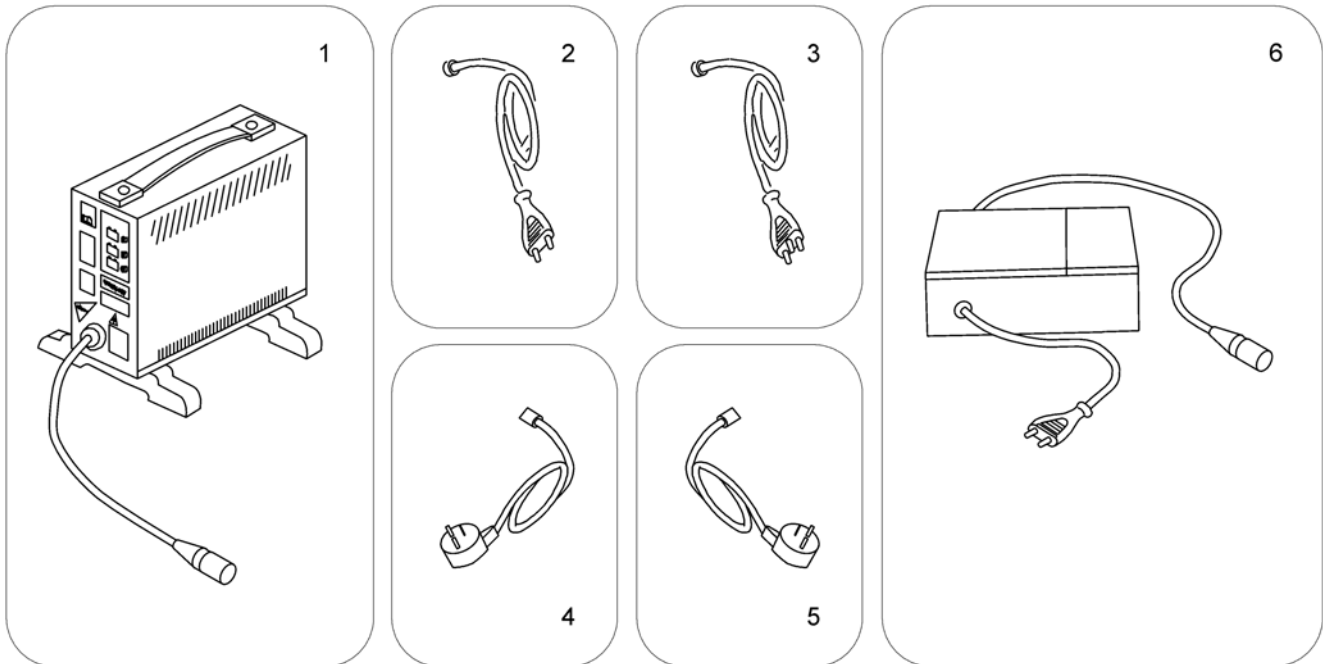
Battery cable



Pos.	Part number	Description	Valid from → until	Qty
1	SP1122247	Harness,Battery w/75 AMP Fuse & Red Connector		1
2	SP1122244	Harness, Battery Rear		1
3	SP1122245	Harness,Battery w/75 AMP Fuse & Black Connector		1
4	SP1122246	Harness, Battery Front		1
5	1096799	Screw, Hex Flange Whiz Lock (1/4-20x7/8")		1
7	SP1116381	Cable, Battery Extension Black Connector		1
8	SP1527780	Battery Cable ACS2		1

Chargers

1589799.iss



Pos.	Part number	Description	Valid from → until	Qty
1	SPP51981	Charger 8A without Power Cord <i>[1343]</i>		1
2	P21079	Power Cord Continental (Schuko GCB-0401)		1
3	P21080	Power Cord UK (GCB-0403)		1
4	1443841	Power Cord Swiss (black 6A/250V)		1
5	SP1553849	Power Cord Israel (IEC 320 C13 to SI-32)		1
6	SP1545511	Charger 10A incl. Power Cord Continental <i>[1389]</i>		1

Batteries

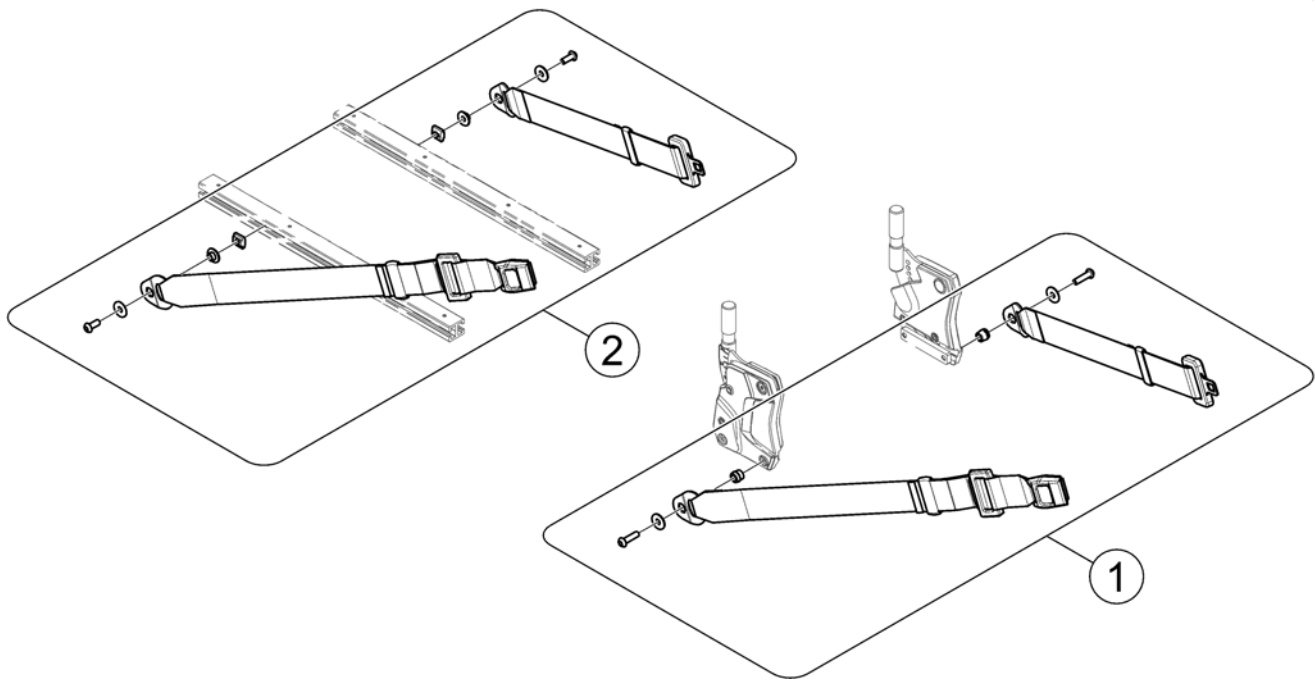
	Capacity [Ah]															
	1,2	12	30	31	32	36	38	40	40	50	50	50,9	60	73,6	75	97,6
Bora/SpectraXTR								8		10						
Dragon										10			13			
Dragon Vertic													13			
FDX													13			
G50													13	14		16
Kite													13	14		
Mirage				4				8								
Mistral3				4									12			
P9000XDT					5											
Pronto M41					5											
Pronto M61					5											
Spectra Blitz								8					12			
Spectra Comfort								7								
Spectra Plus								7								
Spectra Seat Riser								7								
Storm3										10			13	14		
Storm3 True Track	1														14	
Storm3 Vertic															14	
Storm4															14	
Storm4 Max															14	
Stream										10			13			
TDX-SP														14		
TDX-SP Narrow													12			
Tiger										10			13			
Topan													13			
Tornado								8								
Typhoon													13			
Typhoon GB	1												13			
Typhoon GB	1												13			
Zephyr	1												13			
Auriga			3					8		10						
Comet														14	15	
Leo						6			9							
Lynx		2														
Meteor														14		
Orion												11				
length [mm]	97	152	197	196	211	196	210	197	198	198	198	238	259	260	260	329
width [mm]	49	99	132	132	132	130	175	168	165	166	165	140	169	171	168	171
height [mm]	51	102	180	183	183	179	175	175	171	176	170	235	178	210	223	238
weight [kg]	0,6	3,9	11,1	10,5	11	12	14,6	14,4	14,2	14	16	17,1	19,3	24,3	26	32,5



Pos.	Part number	Description	Valid from → until	Qty
i	-	Change batteries only pairwise and from the same type!		1
1	1440386	Battery, 12V/1,2Ah C20, GEL		1
2	SP1506493	Battery 12V/12Ah AGM		1
3	P50021	Battery, 12V/30Ah C20, GEL		1
4	P50029	Battery, 12V/31Ah C20, GEL		1
5	SP1521459	Battery, 12V/34Ah C20, AGM		1
6	1505498	Battery, 12V/36Ah C20, AGM		1
7	P50028	Battery, 12V/38Ah C20, GEL (UK & DK only)		1
8	PG50988	Battery, 12V/40Ah C20, GEL		1
9	SP1550692	Battery, 12V/40Ah C20, AGM		1
10	SP1522107	Battery, 12V/50Ah C20, AGM		1
11	SP1521695	Battery, 12V/50Ah C20 AGM		1
12	PG50989	Battery, 12V/50,9Ah C20, GEL		1
13	1432944	Battery, 12V/60Ah C20, GEL		1
14	P50016	Battery, 12V/73,6 Ah C20, Gel		1
15	SP1522026	Battery, 12V/75Ah C20, AGM		1
16	1478675	Battery, 12V/97,6Ah C20, GEL		1

Lap Belt

1586105.iso

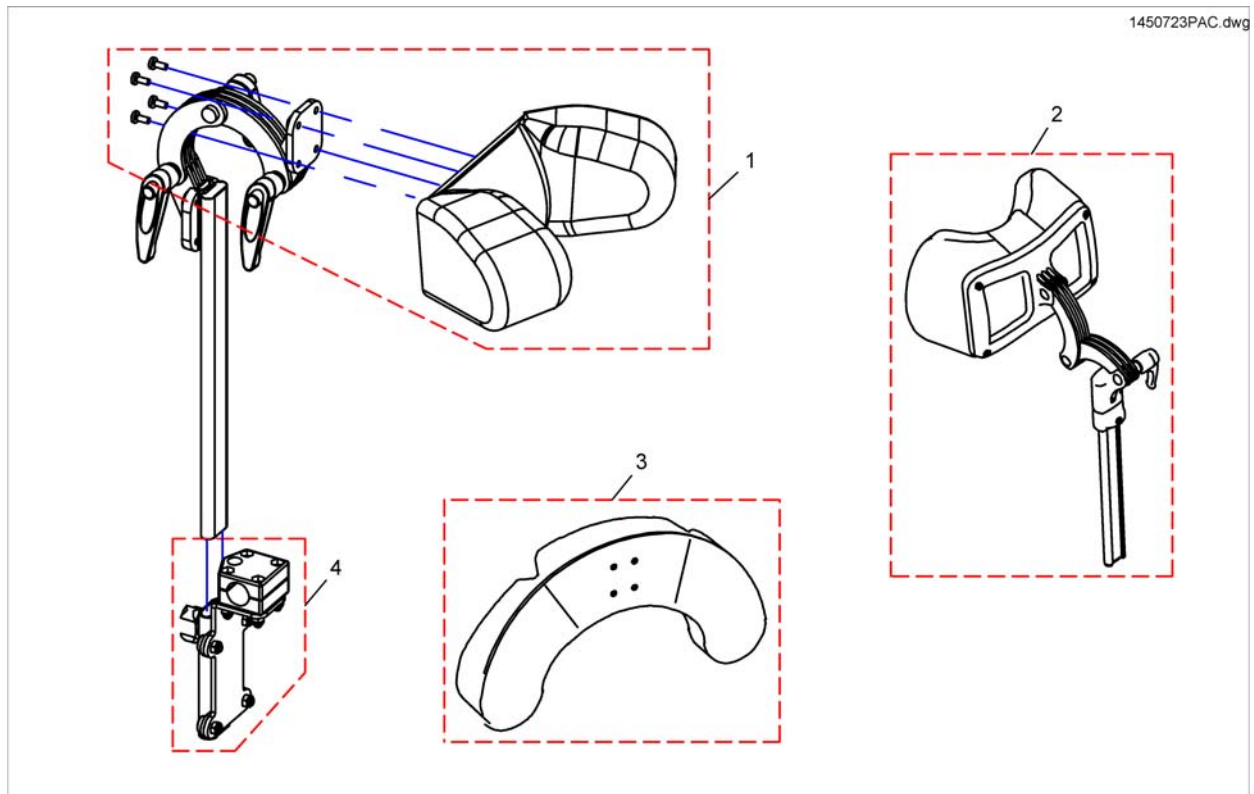


Pos.	Part number	Description	Valid from → until	Qty
1	SP1570381	Lap Belt (fix mounting on Backrest Support), cpl.		1
2	SP1571183	Lap Belt (flexible mounting in side rails), cpl.		1
3	1422845	Lap Belt, cpl.		1

Headrest

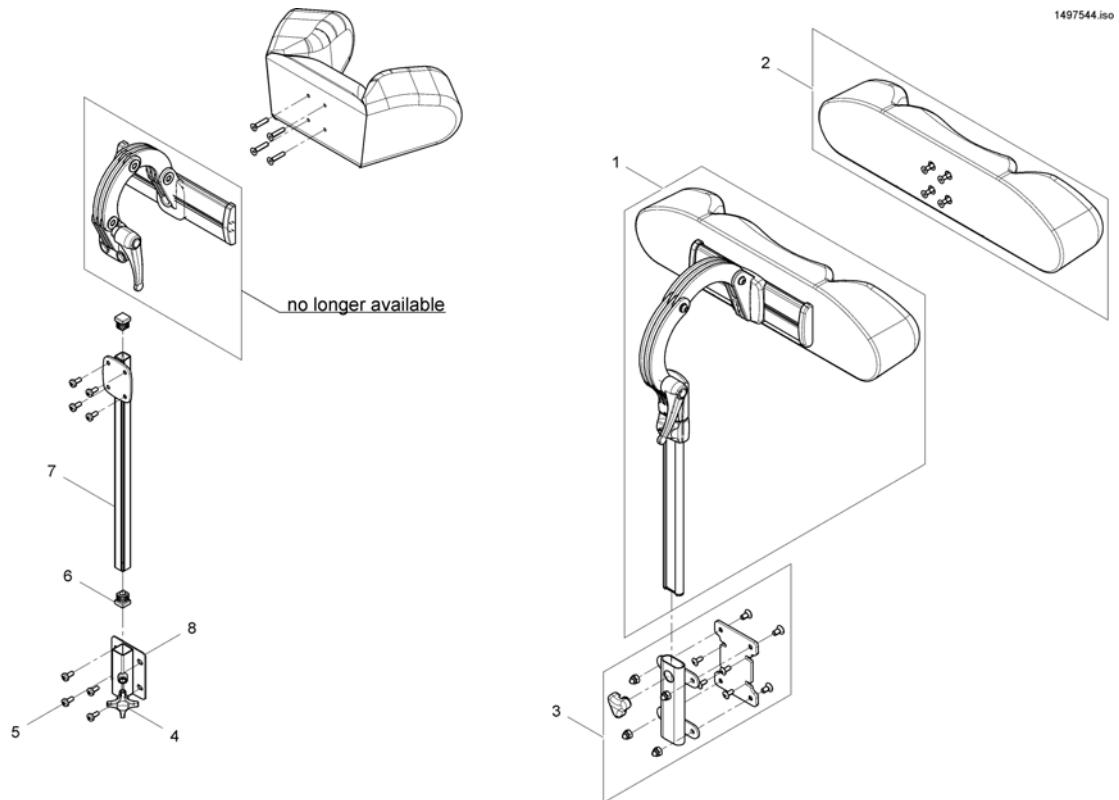
Pos.	Part number	Description	Valid from → until	Qty
-		Head- / Neckrest [1350]		1
-		Headrest sidewise adjustable [1432]		1
-		Headrest with cheek support [1427]		1

Head- / Neckrest

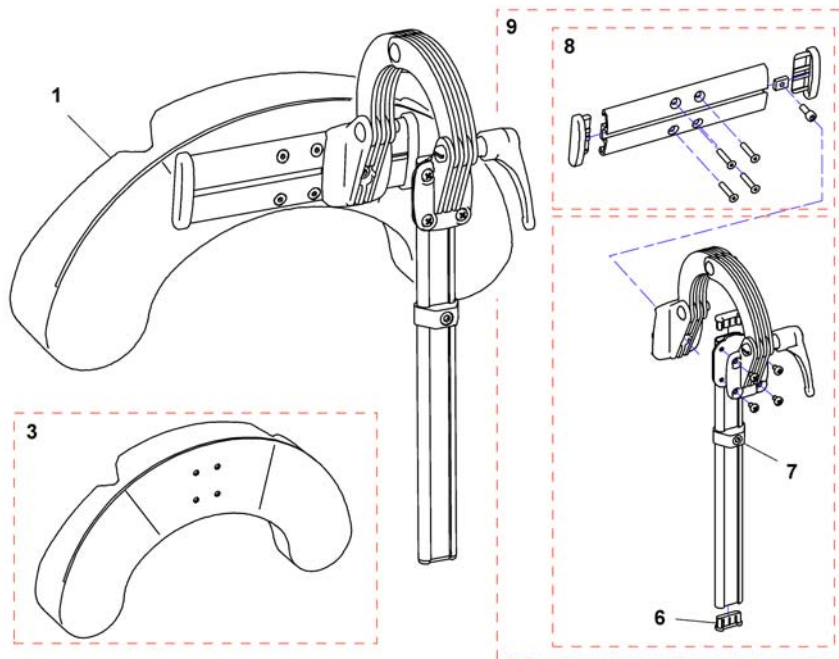


Pos.	Part number	Description	Valid from → until	Qty
1	1487404	Headrest cushion VCR, cpl.		1
2	SP1527050	Neckrest, depth adjustable		1
3	1444304	CUSHION, CHEEK SUPPORT		1
4	SP1422914	Head-/Neckrest Bracket, cpl.		1

Headrest sidewise adjustable



Pos.	Part number	Description	Valid from → until	Qty
1	SP1530119	Headrest, sidewise adjustable, cpl. - Dartex TR26		1
2	SP1422865	Headrest cushion contour black, without bracket		1
2	1422866	HEADREST PAD STD./CONTOUR GREY		1
2	SP1522214	HEADREST PAD STD./CONTOUR BLACK PLUSH		1
3	SP1544680	MOUNTING-KIT		1
4	256099	Wing Screw M8 X 20 639		1
5	-	Lens head screw DIN7985-M05x12-4.8 zc		1
6	L01055	Plug 15x15mm		1
7	1451639-0205	Headrest REA Angle Adjustment		1
8	26002351	Tube Headrest		1



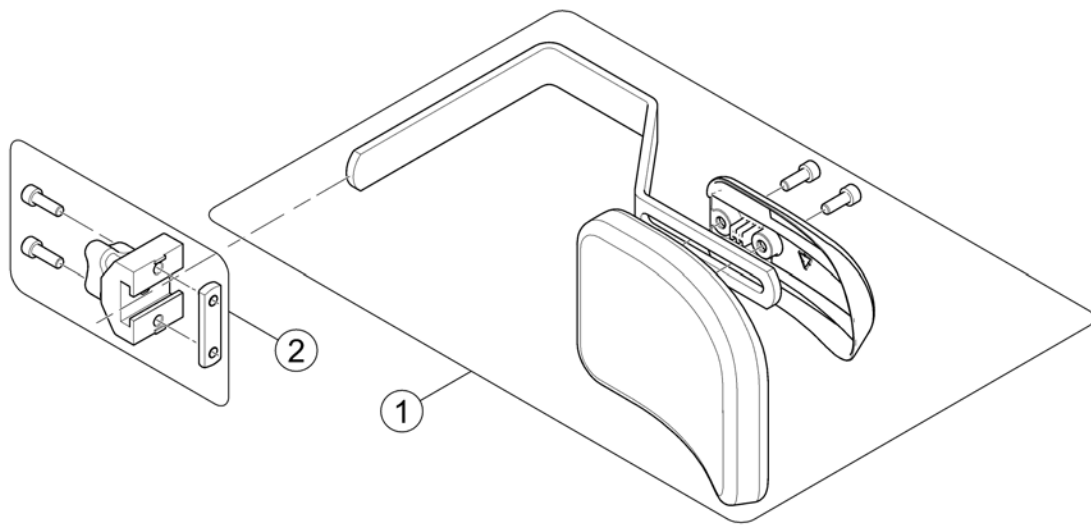
Pos.	Part number	Description	Valid from → until	Qty
1	1446560	HEAD/CHEEK SUPP. TR26 CPL. SIDEWISE ADJUSTABLE		1
1	SP1541658	Head/cheek support TR26 cpl. sidewise adjustable EasyAdapt		1
3	1444304	CUSHION, CHEEK SUPPORT		1
5	SP1529572	Headrest holder for EasyAdapt		1
6	5716497	Plug IPO "special"		1
7	1448661	stop neck and headrest		1
8	1445838	Rail head support		1
9	1485538	KIT, HEADREST ATTACHMENT		1

Lateral Support - Modulite Seat

Pos.	Part number	Description	Valid from → until	Qty
1	-	Lateral Support (Dartex) [1446]		1
2	-	Lateral Support, extended arm (Dartex) [1445]		1

Lateral Support (Dartex)

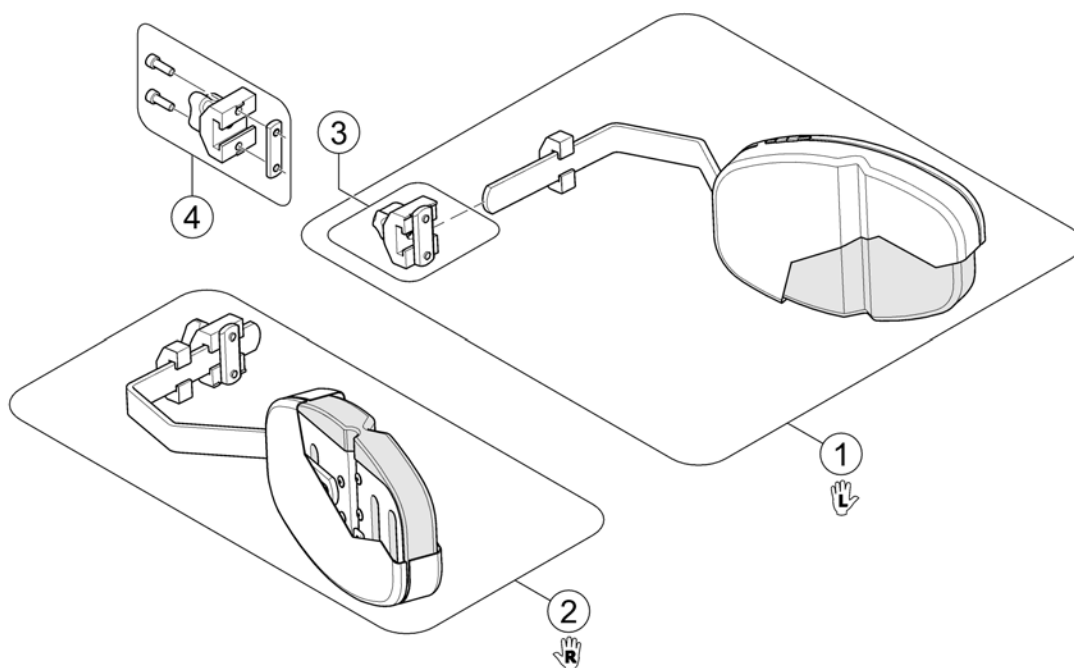
158860.000



Pos.	Part number	Description	Valid from → until	Qty
-		Design change on 01. July 2015 - we suggest to change older Supports on both sides.		0
1	SP1588314	Lateral Support, cpl.		1
2	1543574	Locking trunk support		1

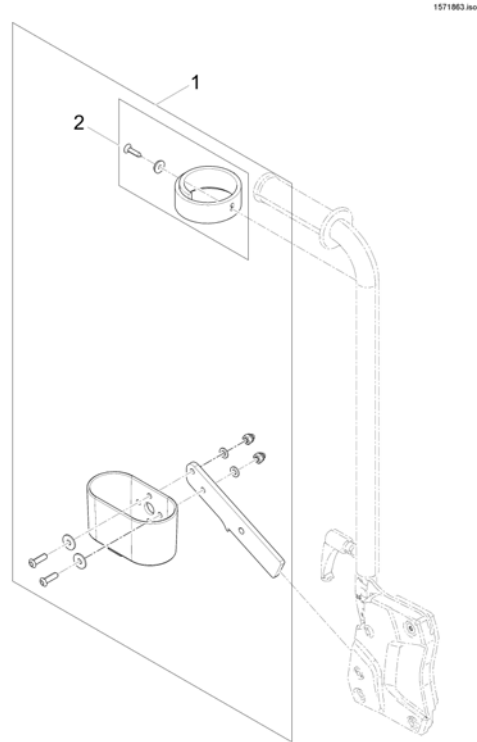
Lateral Support, extended arm (Dartex)

1562674.iss



Pos.	Part number	Description	Valid from → until	Qty
1	1448692	Lateral Support, multi adjustable - RH <i>Dartex grey</i>		1
2	1448693	Lateral Support, multi adjustable - RH <i>Dartex grey</i>		1
3	5253170	Lateral Support Bracket <i>Only for Flex/Flex2 Seat!</i>		1
4	1543574	Locking trunk support <i>Only for Modulite Seat!</i>		1

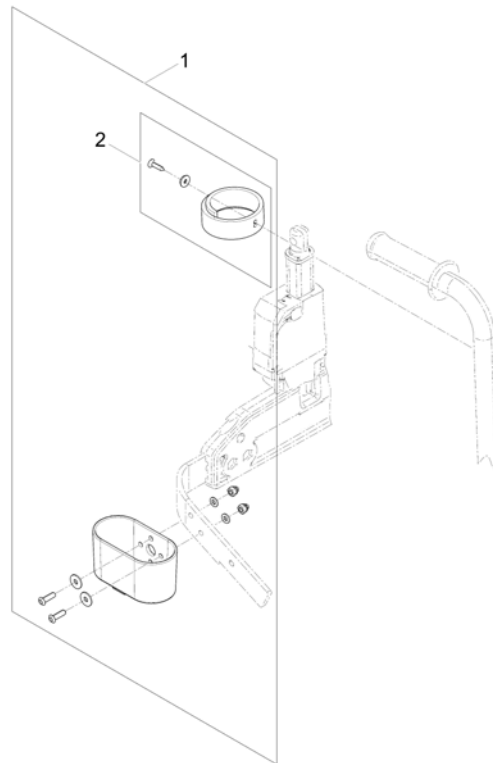
Cane holder (Modulite: back posts man recliner)



Pos.	Part number	Description	Valid from → until	Qty
1	SP1570443	Cane holder, manual backrest		1
2	SP1420493	Belt for caneholder		1

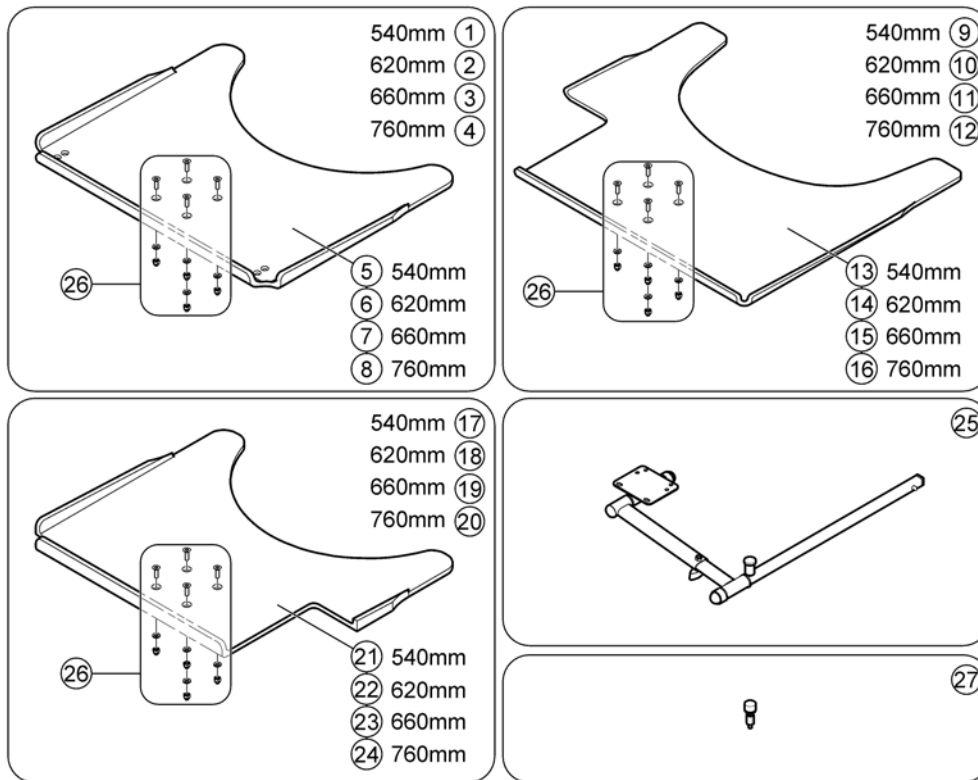
Cane holder (Modulite: back posts pow recliner)

1571837.no



Pos.	Part number	Description	Valid from → until	Qty
1	SP1570382	Cane holder, powered backrest		1
2	SP1420493	Belt for caneholder		1

Trays



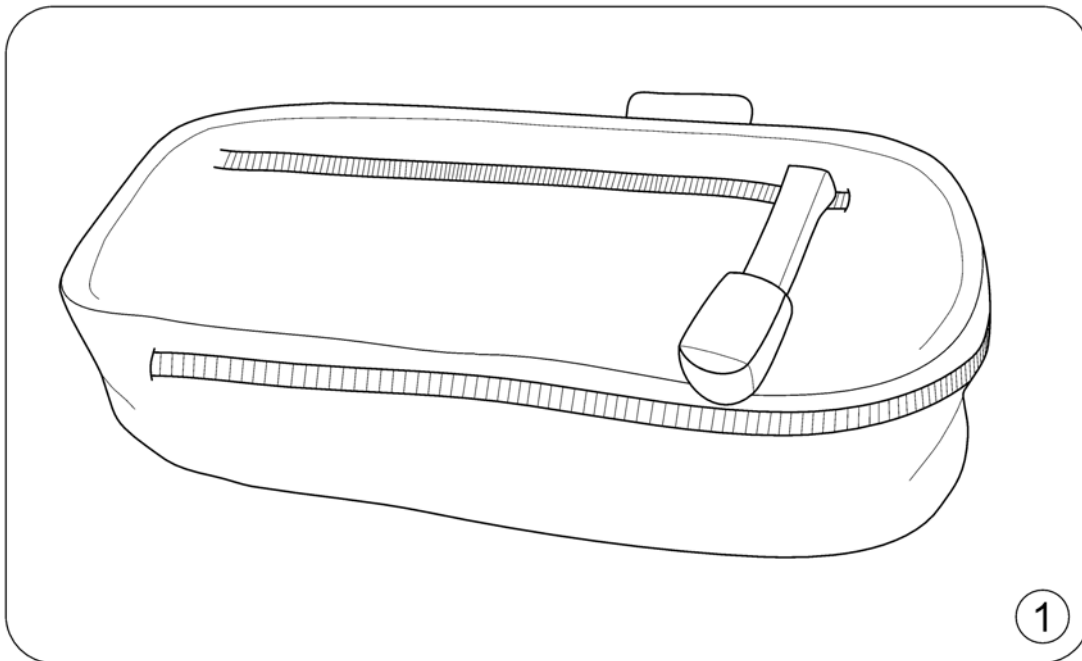
Pos.	Part number	Description	Valid from → until	Qty
1	SP1548198	Swing-Out Tray, 540mm, Seatwidth 330mm to 430mm, no Cutout, cpl. with holder		1
2	SP1548201	Swing-Out Tray, 620mm, Seatwidth 380mm to 480mm, no Cutout, cpl. with holder		1
3	SP1422954	Swing-Out Tray, 660mm, Seatwidth 430mm to 530mm, no Cutout, cpl. with holder		1
4	SP1584644	Swing-Out Tray, 760mm, Seatwidth 480mm to 580mm, no Cutout, cpl. with holder		1
5	SP1535050	Tray table, 540mm, no Cutout		1
6	SP1535010	Tray table, 620mm, no Cutout		1
7	SP1535011	Tray table, 660mm, no Cutout		1
8	SP1586049	Tray table, 760mm, no Cutout		1
9	SP1548138	Swing-Out Tray, 540mm, Seatwidth 330mm to 430mm, Cutout RH, cpl. with holder		1
10	SP1548199	Swing-Out Tray, 620mm, Seatwidth 380mm to 480mm, Cutout RH, cpl. with holder		1
11	SP1422953	Swing-Out Tray, 660mm, Seatwidth 430mm to 530mm, Cutout RH, cpl. with holder		1
12	SP1584663	Swing-Out Tray, 760mm, Seatwidth 480mm to 580mm, Cutout RH, cpl. with holder		1
13	SP1535051	Tray table, 540mm, Cutout RH		1
14	SP1535012	Tray table, 620mm, Cutout RH		1
15	SP1535049	Tray table, 660mm, Cutout RH		1
16	SP1586048	Tray table, 760mm, Cutout RH		1
17	SP1548197	Swing-Out Tray, 540mm, Seatwidth 330mm to 430mm, Cutout LH, cpl. with holder		1
18	SP1548200	Swing-Out Tray, 620mm, Seatwidth 380mm to 480mm, Cutout LH, cpl. with holder		1
19	SP1422952	Swing-Out Tray, 660mm, Seatwidth 430mm to 530mm, Cutout LH, cpl. with holder		1
20	SP1584662	Swing-Out Tray, 760mm, Seatwidth 480mm to 580mm, Cutout LH, cpl. with holder		1
21	SP1535009	Tray table, 540mm, Cutout LH		1
22	SP1534974	Tray table, 620mm, Cutout LH		1

Trays

Pos.	Part number	Description	Valid from → until	Qty
23	SP1534975	Tray table, 660mm, Cutout LH		1
24	SP1586047	Tray table, 760mm, Cutout LH		1
25	SPZ177011	Tray Support Fixing Kit cpl.SW 380/505 mm		1
26	Z177025	Fastening-Kit Tray		1
27	SP1590090	Table Bumper high version		1

KLICKfix® bag

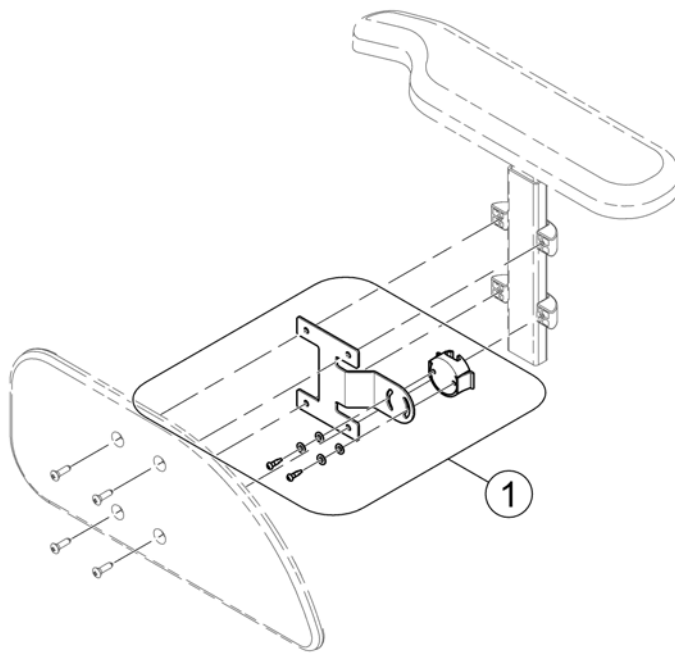
1562500 iso



Pos.	Part number	Description	Valid from → until	Qty
1	SP1557532	KLICKfix® bag		1

KLICKfix® bracket for T-Armrest

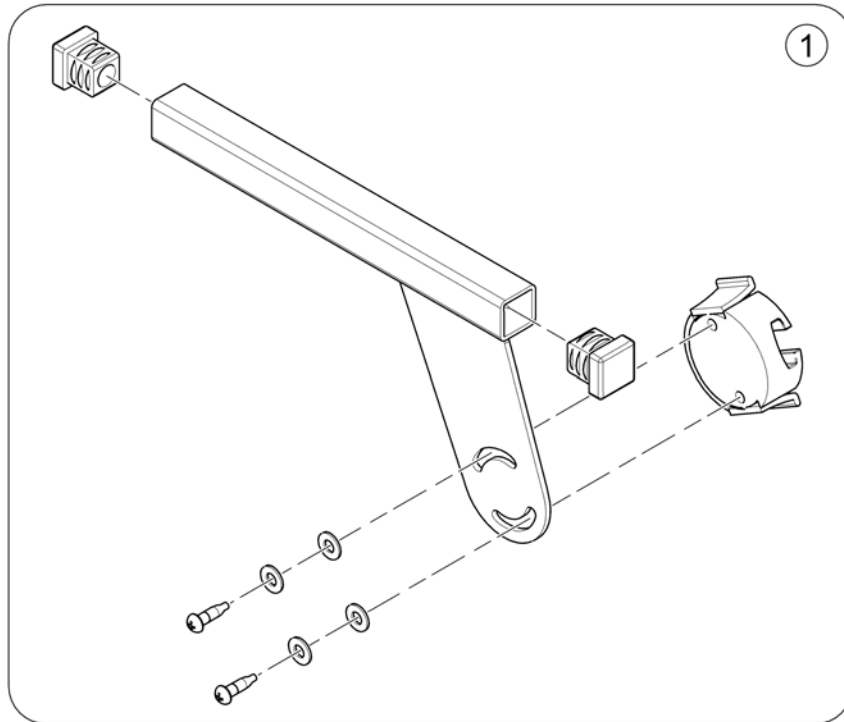
1571871 iso



Pos.	Part number	Description	Valid from → until	Qty
1	SP1571678	KLICKfix® bracket		1

KLICKfix® bracket for Inrigged/Flip-Up/Following Armrest (Modulite)

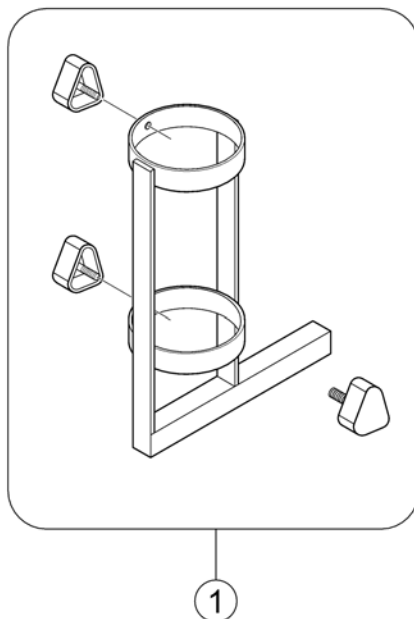
1586167 Rev



Pos.	Part number	Description	Valid from → until	Qty
1	SP1584497	KlickFix Bracket		1

Oxygen Bottle Holder

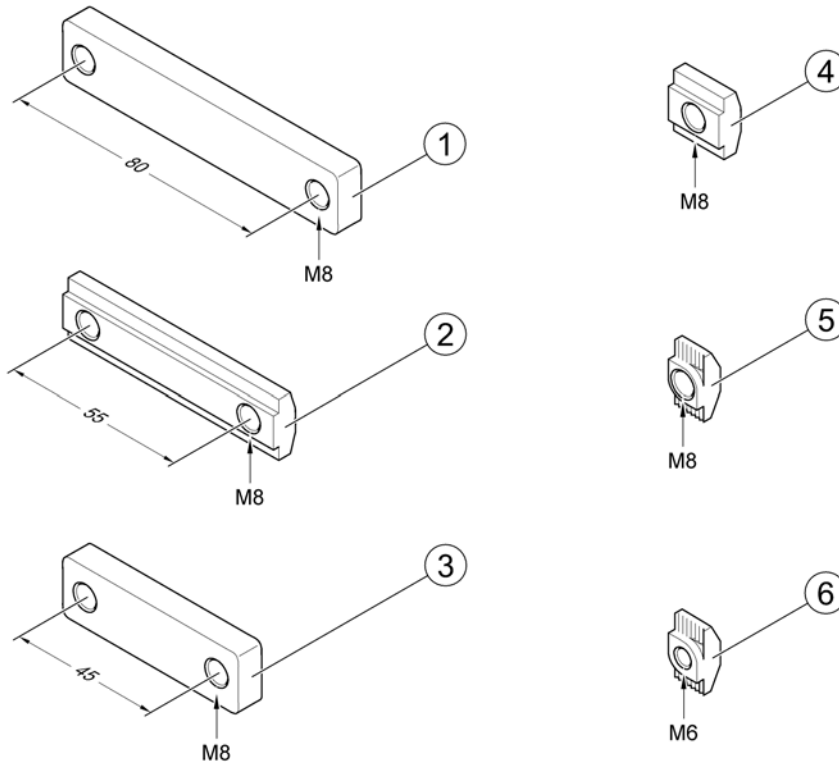
1577796.000



Pos.	Part number	Description	Valid from → until	Qty
1	SP1572971	Oxygen Bottle Holder, cpl.		1

T-Nuts for Accessories Modulite Seat

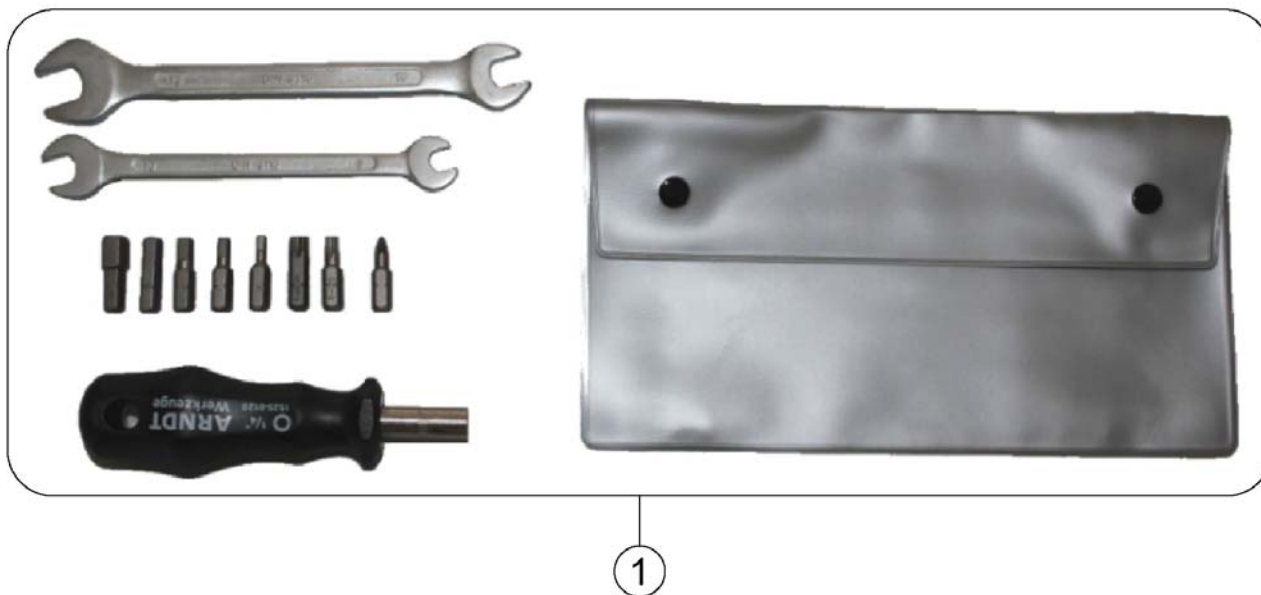
157-4067 Rev



Pos.	Part number	Description	Valid from → until	Qty
1	SP1556401	T-Nut, hole distance 80mm, 2x M8		1
2	SP1572444	T-Nut, hole distance 55mm, 2x M8		1
3	SP1555168	T-Nut, hole distance 45mm, 2x M8		1
4	SP1557341	T-Nut, 1x M8		1
5	SP1573158	T-Nut, 1x M8		1
6	SP1573721	T-Nut, 1x M6		1

Toolkit

1567260.110



Pos.	Part number	Description	Valid from → until	Qty
1	SP1422868	Toolkit with bag		1



Yes, you can.®



Belgium & Luxemburg:

Invacare nv, Autobaan 22, B-8210 Loppem
Tel: (32) (0)50 83 10 10, Fax: (32) (0)50 83 10 11
belgium@invacare.com / www.invacare.be

Denmark:

Invacare A/S, Sdr. Ringvej 37, DK-2605 Brøndby
Tel: (45) (0)36 90 00 00, Fax: (45) (0)36 90 00 01
denmark@invacare.com / www.invacare.dk

Deutschland:

Invacare Aquatec GmbH, Alemannenstraße 10, D-88316 Isny
Tel: (49) (0)75 62 7 00 0, Fax: (49) (0)75 62 7 00 66
info@invacare-aquatec.com / www.invacare-aquatec.de

European Distributor Organisation:

Invacare, Kleiststraße 49, D-32457 Porta Westfalica
Tel: (49) (0)57 31 754 540, Fax: (49) (0)57 31 754 541
edo@invacare.com / www.invacare.eu.com

España:

Invacare SA, c/Areny s/n, Polígon Industrial de Celrà, E-17460 Celrà (Girona)
Tel: (34) (0)972 49 32 00, Fax: (34) (0)972 49 32 20
contactsp@invacare.com / www.invacare.es

France:

Invacare Poirier SAS, Route de St Roch, F-37230 Fondettes
Tel: (33) (0)2 47 62 64 66, Fax: (33) (0)2 47 42 12 24
contactfr@invacare.com / www.invacare.fr

Ireland:

Invacare Ireland Ltd, Unit 5 Seatown Business Campus, Seatown Road, Swords, County Dublin - Ireland
Tel: (353) 1 810 7084, Fax: (353) 1 810 7085
ireland@invacare.com / www.invacare.ie

Italia:

Invacare Mecc San s.r.l., Via dei Pini 62, I-36016 Thiene (VI)
Tel: (39) 0445 38 00 59, Fax: (39) 0445 38 00 34
italia@invacare.com / www.invacare.it

Nederland:

Invacare BV, Celsiusstraat 46, NL-6716 BZ Ede
Tel: (31) (0)318 695 757, Fax: (31) (0)318 695 758
nederland@invacare.com, csede@invacare.com / www.invacare.nl

Norge:

Invacare AS, Grensesvingen 9, Postboks 6230, Etterstad, N-0603 Oslo
Tel: (47) (0)22 57 95 00, Fax: (47) (0)22 57 95 01
norway@invacare.com, island@invacare.com / www.invacare.no

Österreich:

Invacare Austria GmbH, Herzog Odilostrasse 101, A-5310 Mondsee
Tel: (43) 6232 5535 0, Fax: (43) 6232 5535 4
info-austria@invacare.com / www.invacare.at

Portugal:

Invacare Lda, Rua Estrada Velha, 949, P-4465-784 Leça do Balio
Tel: (351) (0)225 1059 46/47, Fax: (351) (0)225 1057 39
portugal@invacare.com / www.invacare.pt

Sverige & Suomi:

Invacare AB, Fagerstagatan 9, S-163 91 Spånga
Tel: (46) (0)8 761 70 90, Fax: (46) (0)8 761 81 08
sweden@invacare.com, finland@invacare.com / www.invacare.se

Switzerland:

Invacare AG, Benkenstrasse 260, CH-4108 Witterswil
Tel: (41) (0)61 487 70 80, Fax: (41) (0)61 487 70 81
switzerland@invacare.com / www.invacare.ch

United Kingdom:

Invacare Limited, Pencoed Technology Park, Pencoed, Bridgend CF35 5AQ
Switchboard Tel: (44) (0)1656 776200, Fax: (44) (0)1656 776201
Customer services Tel: (44) (0)1656 776222, Fax: (44) (0)1656 776220
uk@invacare.com / www.invacare.co.uk