

# *Spare Parts Catalogue*

---

Version: 2015/02/27b EN



*Invacare*® **LYNX**



**Yes, you can.®**

## **General Information**

*For any order of spare parts the following information is required:*

- Product type*
- Product name & model*
- Serial Number*
- Part-Number*
- Part-Description*

*Exploded view drawings and code numbers are not contractual and subject to modification, in relation to Invacare® continuous product improvement policy to meet end users needs.*

*The reproduction or use of this work, or of any substantial part of this work, in any form or by any electronic, mechanical or other means, including photocopying, scanning and recording, and in any information storage and retrieval system, including electronic transmission, is forbidden without the prior written permission of Invacare® International Sarl.*



Yes, you can.®

## TABLE OF CONTENTS

---

### Information

User Manuals Lynx .....	5
-------------------------	---

### Chassis

Chassis .....	6
Shrouds .....	7

### Seat

Seat .....	8
------------	---

### Front Wheels

Front Wheels .....	9
--------------------	---

### Rear Wheels

Rear Wheels .....	10
-------------------	----

### Propulsion

Propulsion .....	11
------------------	----

### Controls Drive

Steering unit, details .....	12
Steering unit, details .....	13

### Cable & Charger

Batteries .....	14
Electronic .....	15
Programming-Kit .....	16

### Others Options & Accessories

Accessories Lynx .....	17
------------------------	----



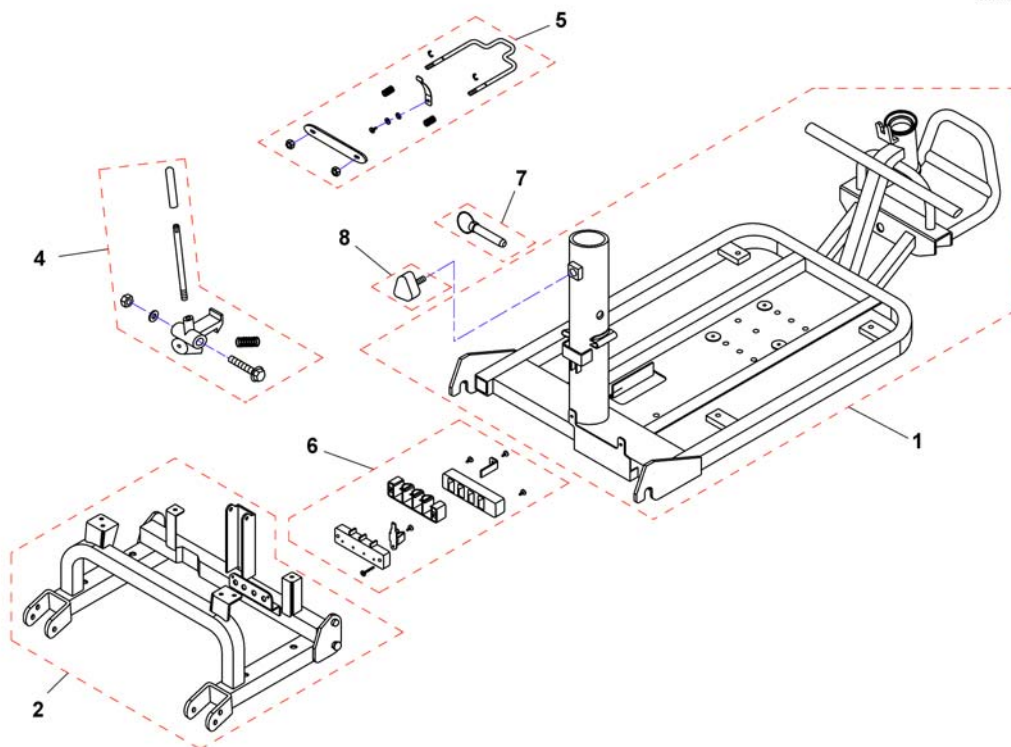
languages.io

BG	Български	FR	Français	NL	Nederlands	SV	Svenska
CS	Čeština	HE	עברית	NO	Norsk	UK	Українська
DA	Dansk	HR	Hrvatski	PL	Polski		
DE	Deutsch	HU	Magyar	PT	Português		
EN	English	IT	Italiano	RU	Русский		
ES	Español	JA	日本語	RO	Română		
ET	Eesti	LV	Latviešu	SK	Slovenčina		
FI	Suomi	LT	Lietuvių	SL	Slovenščina		

Pos.	Part number	Description	Valid from → until	Qty
	DE 1506976	User Manual Lynx German		1
	FR 1506994	User Manual Lynx French		1
	SV 1509691	User Manual Lynx Swedish		1
	EN 1509901	User Manual Lynx English		1
	SL 1509985	User Manual Lynx Slovenian		1
	CZ 1510575	User Manual Lynx Czech		1
	PL 1510576	User Manual Lynx Polish		1
	HR 1510577	User Manual Lynx Croatian		1
	LT 1510578	User Manual Lynx Lithuanian		1
	ET 1510844	User Manual Lynx Estonian		1
	FI 1527872	User Manual Lynx Finsk		1
	DA 1546259	User Manual Lynx Danish		1
	IT SP1554299	User Manual Lynx Italian		1

# Chassis

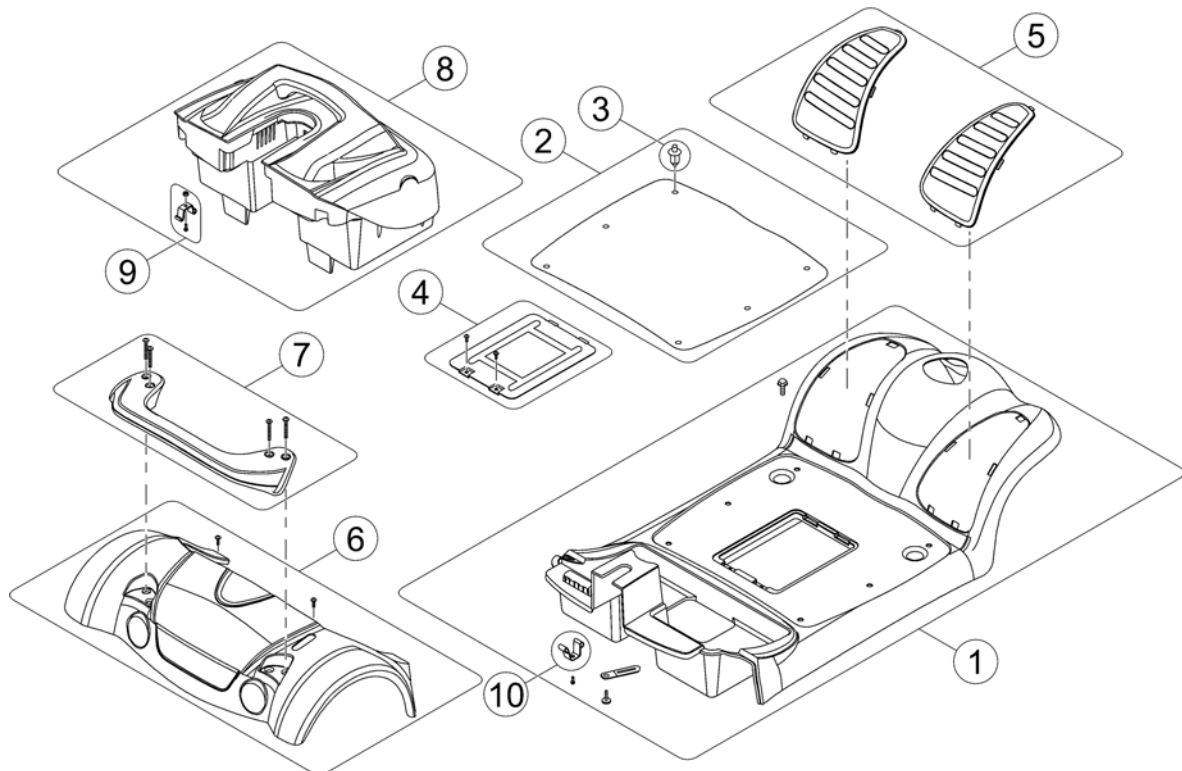
1506977.dwg



Pos.	Part number	Description	Valid from → until	Qty
1	1506977	FRAME COMP. , FRONT	→ 2010-02-28	1
1	SP1541552	FRAME COMP., FRONT <i>From SN:#10ACT600045</i>	2010-03-01 →	1
1	SP1551642	FRAME COMP., FRONT (increase ground clearance)		1
2	1506989	FRAME COMP. , REAR	→ 2010-02-28	1
2	SP1541553	FRAME COMP., REAR <i>From SN:#10ACT600045</i>	2010-03-01 →	1
2	SP1551643	FRAME COMP., REAR (increase ground clearance)		1
4	1507138	HOOK, FRAME, CPL.		1
5	1507136	LOCK, BATTERY BOX, CPL.		1
6	SP1507134	HOLDER, TERMINALS B, CPL.		1
7	1507004	GUIDE PIN , SEAT HOLDER		1
8	SP1507005	Star Handle		1

## Shrouds

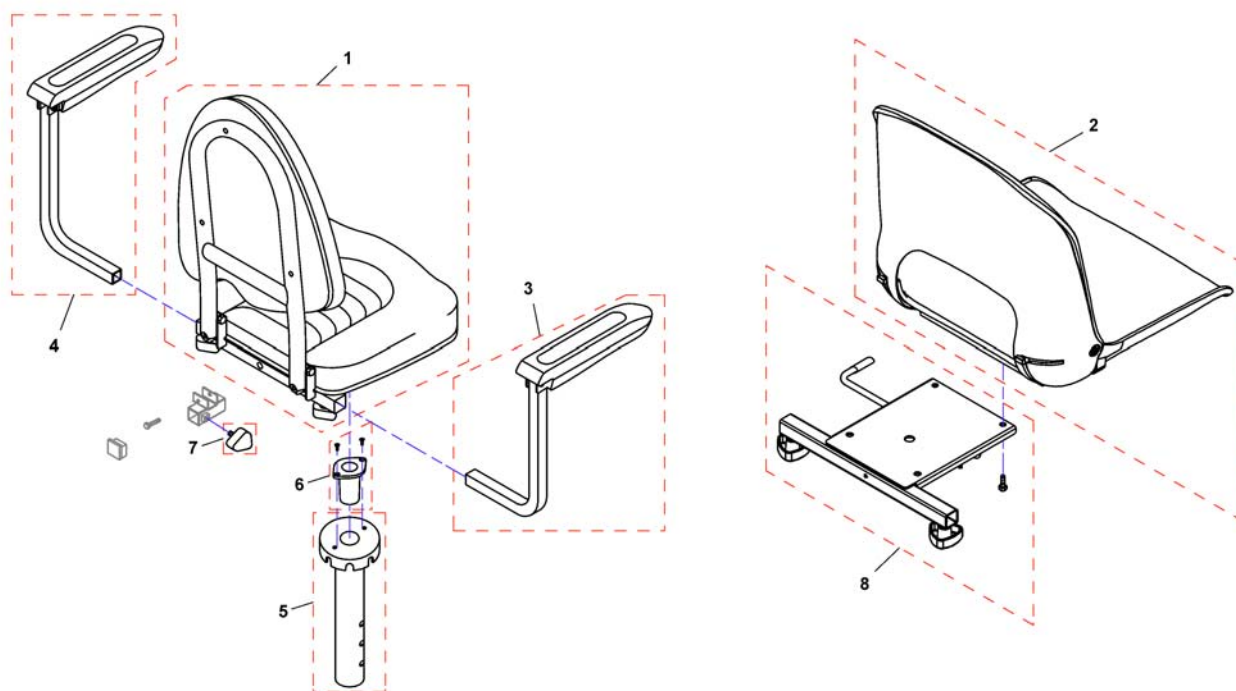
1507454.iso



Pos.	Part number	Description	Valid from → until	Qty
1	1507454	Front Shroud - blue		1
1	1507468	Front Shroud - silver		1
1	SP1541556	Front Shroud - onxy blue		1
1	1509672	Front Shroud - red		1
2	1507783	Rubber Pad, cpl.		1
3	1505476	Push Rivet, Pad		6
4	1507471	Controller Cover, cpl.		1
5	1507782	Front Pedal Pads LH & RH, cpl.		1
6	1507475	Rear Shroud (w/o labels and reflectors) - blue		1
6	SP1584273	Rear Shroud, cpl. - blue		1
6	1507781	Rear Shroud (w/o labels and reflectors) - silver		1
6	SP1584272	Rear Shroud, cpl. - silver		1
6	SP1541557	Rear Shroud (w/o labels and reflectors) - onxy blue		1
6	1509673	Rear Shroud (w/o labels and reflectors) - red		1
6	SP1584283	Rear Shroud, cpl. - red		1
-	SP1584284	Label & Reflector Kit, Rear Shroud		1
7	1507779	Rear Handle, cpl.		1
8	1507767	Battery Box, cpl. (w/o Batteries)		1
9	SP1579746	Terminal for Bat. A (Kit)		3
10	1507777	Terminal for Bat. B		3

# Seat

1507312.dwg

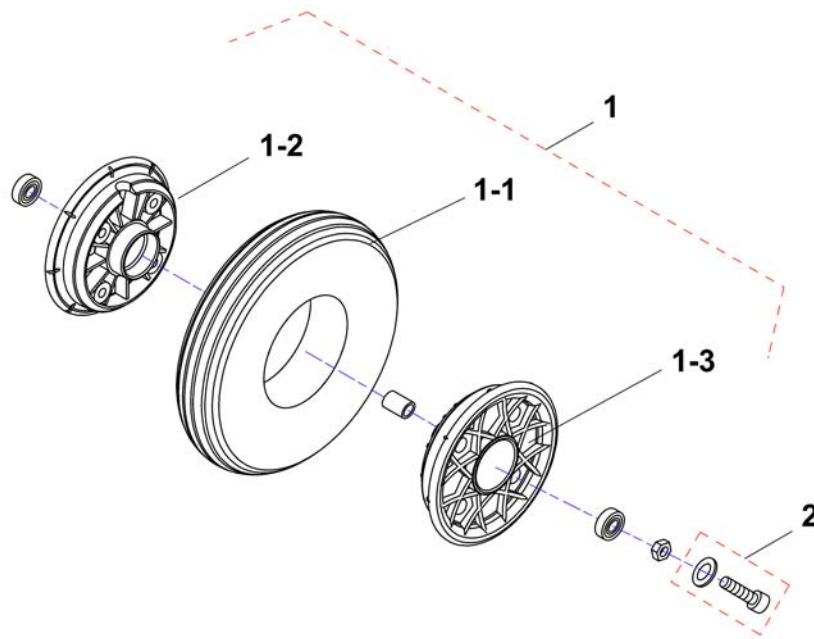


Pos.	Part number	Description	Valid from → until	Qty
1	1507312	SEAT ASSEMBLY		1
2	SP1551328	Seat, cpl.		1
3	1507357	HANDRAIL ASSEMBLY Rh		1
4	1507358	HANDRAIL ASSEMBLY Lh		1
5	1507359	HOLDER , GUIDE		1
6	1507373	GUIDE,SEAT BRACKET, CPL.		1
7	SP1507005	Star Handle		1
8	SP1551329	Seatbracket, cpl.		1



# Front Wheels

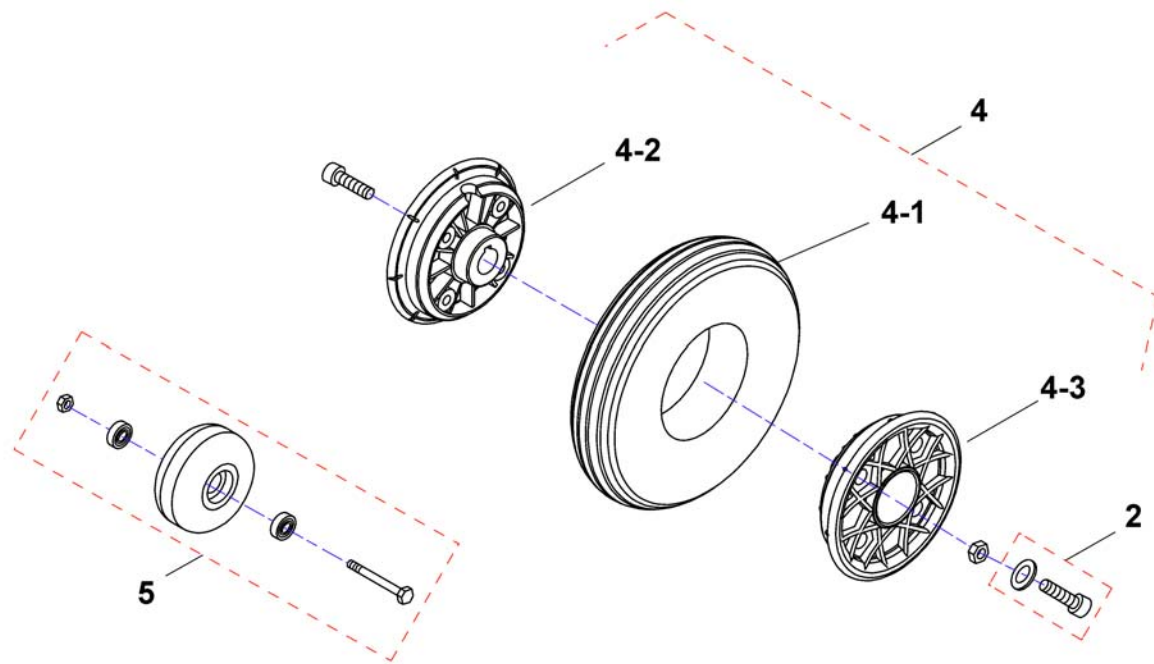
1507819.dwg



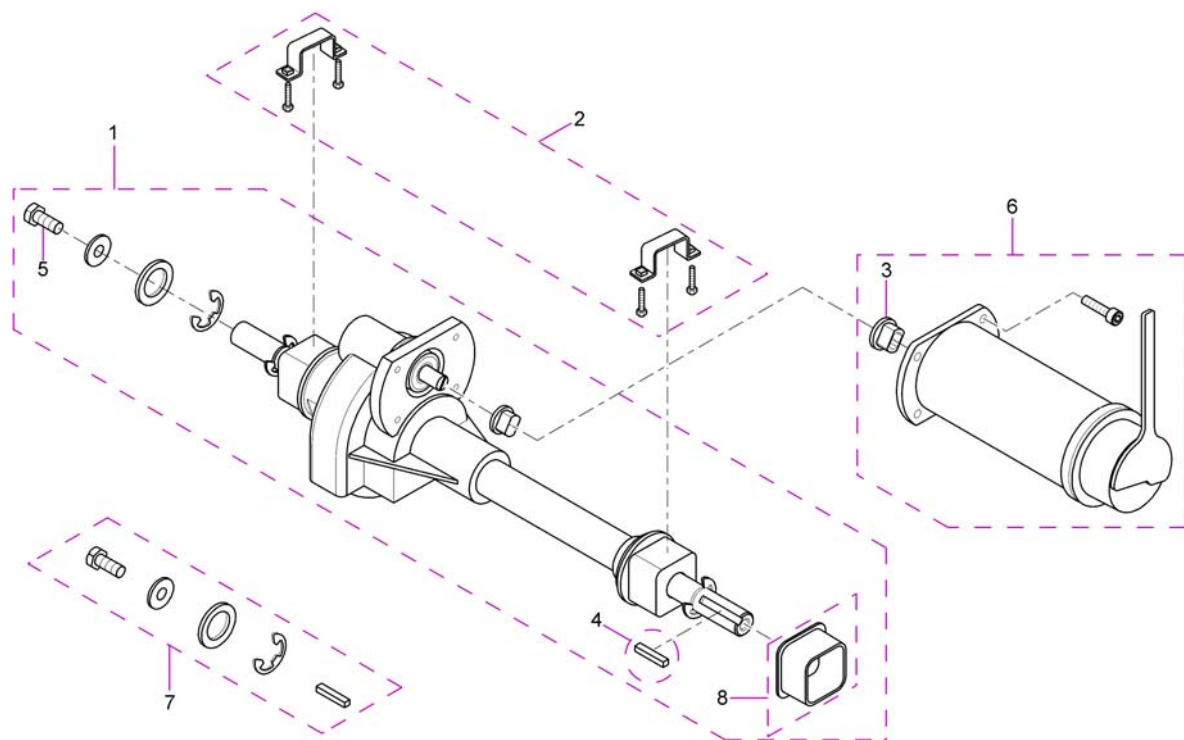
Pos.	Part number	Description	Valid from → until	Qty
1	1507819	FRONT WHEEL ASSEMBLY		1
1-1	1507824	TIRE COMP		1
1-2	1507826	RIM INNER		1
1-3	1507827	RIM OUTER		1
2	SP1557461	Mounting kit		1

# Rear Wheels

1507820.dwg



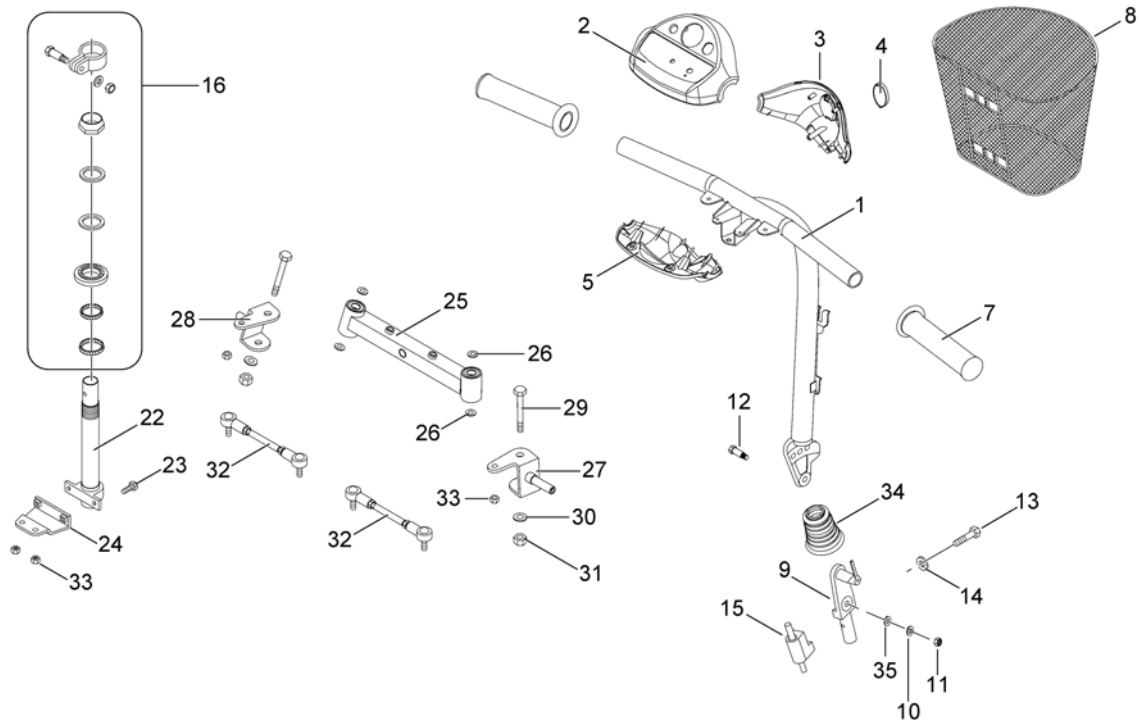
Pos.	Part number	Description	Valid from → until	Qty
2	SP1557461	Mounting kit		1
4	1507820	REAR WHEEL ASSEMBLY		1
4-1	1507824	TIRE COMP		1
4-2	1507863	RIM INNER		1
4-3	1507827	RIM OUTER		1
5	1507864	WHEEL, ANTI-TIPPER, CPL.		1



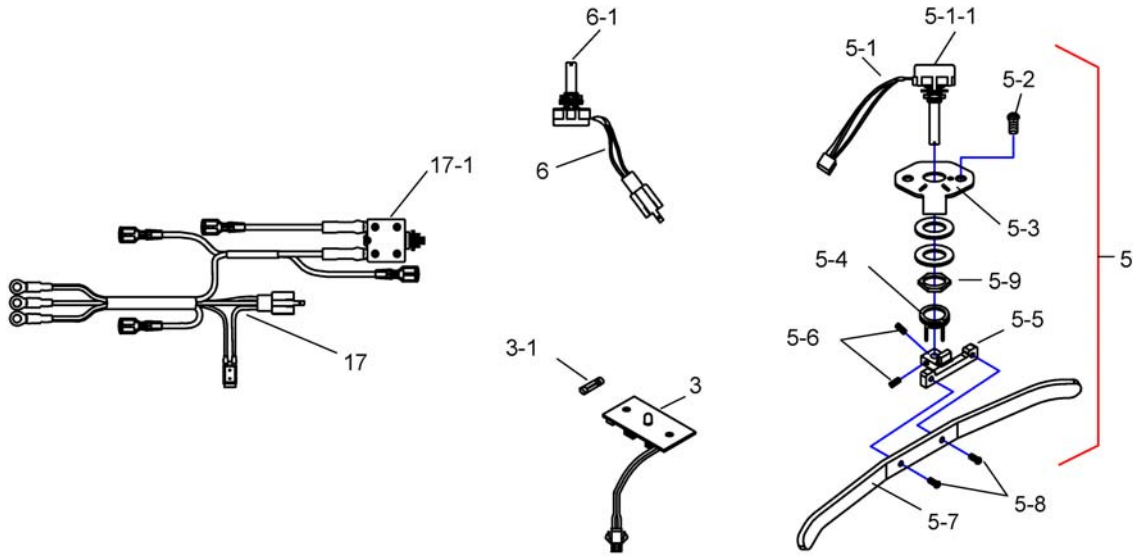
Pos.	Part number	Description	Valid from → until	Qty
1	1507865	Transaxle, complete <i>If installed on models with production date before 2012-02-07, Transaxle Bracket SP1567811 is needed, too.</i>	2012-02-07 →	1
2	SP1567811	Transaxle bracket	2012-02-07 →	1
2	1507137	Transaxle bracket <i>Only used to install Transaxles used before 2012-02-07</i>	→ 2012-02-06	1
3	1505667	Guide		1
4	1505669	Key 5x30		1
5	1505294	Bolt M8x20		1
6	1506376	Motor Assembly, complete		1
7	1509675	Wheel Installation Kit		1
8	1505607	Shock Absorber, Rubber		1

# Steering unit, details

1507142.iss



Pos.	Part number	Description	Valid from → until	Qty
-	SP1543153	Personal Key Cylinder + 2 Keys		1
1	1507142	STEERING BAR CPL.		1
2	1507143	COVER , STEERING UPPER		1
3	1509676	COVER STEERING, FRONT, BLUE		1
3	1509677	COVER STEERING, FRONT, SILVER		1
3	1507144	COVER , STEERING FRONT, RED		1
3	SP1541554	COVER, STEERING FRONT, ONYXBLUE		1
4	1507145	REFLECTOR		1
5	1509678	COVER STEERING, REAR, BLUE		1
5	1509679	COVER, STEERING REAR, SILVER		1
5	1507146	COVER , STEERING REAR, RED		1
5	SP1541555	COVER, STEERING REAR, ONYXBLUE		1
7	1505415	Grip, Handle Bar		2
8	1507160	Basket, front		1
9-15,3 5	1507189	STEERING ADJ LOWER CPL.		1
13	-	Bolt, Joint		1
16,22- 24,33	1507234	BAR ASSEMBLY, CPL.		1
16	SP1505487	Bearing Kit		1
23	-	Bolt (M6x16)		1
25	1507237	SWING ASSEMBLY		1
26,28- 31,33	1507299	AXLE LH, CPL.		1
26,27, 29-31	1507298	AXLE RH, CPL.		1
30	-	Plane Washer		2
31	1505589	Nylon Nut		1
32	1507271	ROD ASSEMBLY		2
33	1505392	Nylon Nut		4
34	SP1505401	Cover, Steering		1



Pos.	Part number	Description	Valid from → until	Qty
3-1	1507392	FUSE, P.C.BOARD3.0Amp		1
5-2	-	Bolt (M4x12)		2
5-8	-	Bolt (M4x12)		1
3	1506392	P.C.BOARD, COMP METER		1
5	1506394	STARTER ASSEMBLY		1
6	1506395	VARIABLE RESISTOR ASSEMBLY 30.0KO		1
17	1506481	WIRE HARNESS, BATTERY		1

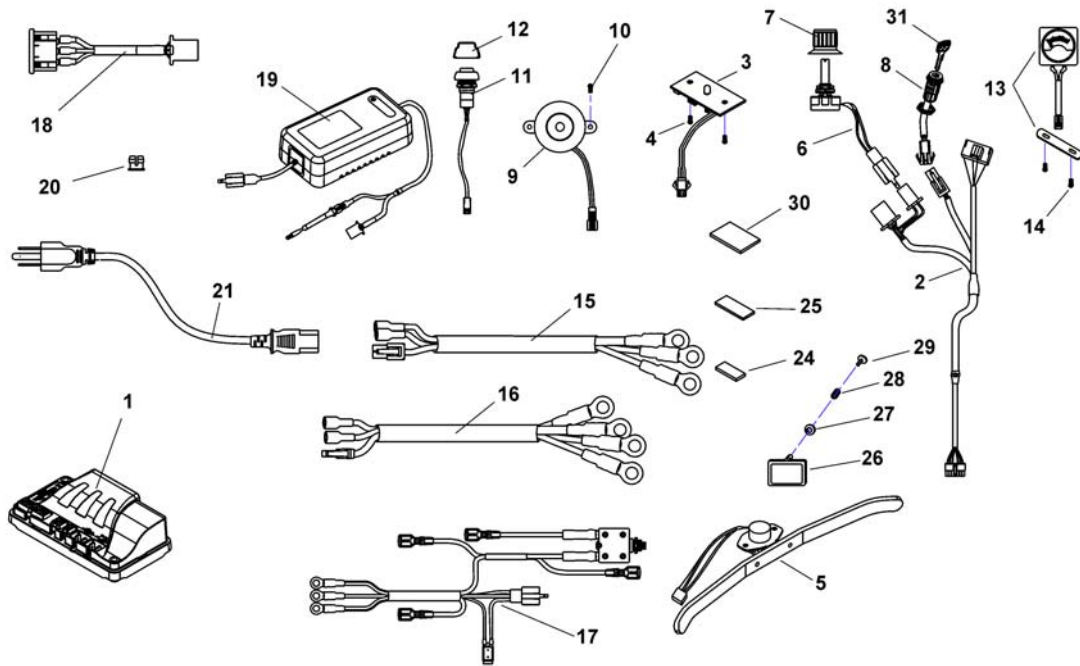
# Batteries

	Capacity [Ah]															
	1,2	12	30	31	32	36	38	40	40	50	50	50,9	60	73,6	75	97,6
Bora/SpectraXTR								8		10						
Dragon										10			13			
Dragon Vertic													13			
FDX													13			
G50													13	14		16
Kite													13	14		
Mirage				4				8								
Mistral3				4									12			
P9000XDT					5											
Pronto M41					5											
Pronto M61					5											
Spectra Blitz								8					12			
Spectra Comfort								7								
Spectra Plus								7								
Spectra Seat Riser								7								
Storm3										10			13	14		
Storm3 True Track	1													14		
Storm3 Vertic														14		
Storm4														14		
Storm4 Max														14		
Stream										10			13			
TDX-SP														14		
TDX-SP Narrow													12			
Tiger										10			13			
Topan													13			
Tornado								8								
Typhoon													13			
Typhoon GB	1												13			
Typhoon GB	1												13			
Zephyr	1												13			
Auriga			3					8		10						
Comet														14	15	
Leo						6			9							
Lynx		2														
Meteor														14		
Orion												11				
length [mm]	97	152	197	196	211	196	210	197	198	198	198	238	259	260	260	329
width [mm]	49	99	132	132	132	130	175	168	165	166	165	140	169	171	168	171
height [mm]	51	102	180	183	183	179	175	175	171	176	170	235	178	210	223	238
weight [kg]	0,6	3,9	11,1	10,5	11	12	14,6	14,4	14,2	14	16	17,1	19,3	24,3	26	32,5



Pos.	Part number	Description	Valid from → until	Qty
i	-	Change batteries only pairwise and from the same type!		1
1	1440386	Battery, 12V/1,2Ah C20, GEL		1
2	SP1506493	Battery 12V/12Ah AGM		1
3	P50021	Battery, 12V/30Ah C20, GEL		1
4	P50029	Battery, 12V/31Ah C20, GEL		1
5	SP1521459	Battery, 12V/34Ah C20, AGM		1
6	1505498	Battery, 12V/36Ah C20, AGM		1
7	P50028	Battery, 12V/38Ah C20, GEL (UK & DK only)		1
8	PG50988	Battery, 12V/40Ah C20, GEL		1
9	SP1550692	Battery, 12V/40Ah C20, AGM		1
10	SP1522107	Battery, 12V/50Ah C20, AGM		1
11	SP1521695	Battery, 12V/50Ah C20 AGM		1
12	PG50989	Battery, 12V/50,9Ah C20, GEL		1
13	1432944	Battery, 12V/60Ah C20, GEL		1
14	P50016	Battery, 12V/73,6 Ah C20, Gel		1
15	SP1522026	Battery, 12V/75Ah C20, AGM		1
16	1478675	Battery, 12V/97,6Ah C20, GEL		1

1506390.dwg



Pos.	Part number	Description	Valid from → until	Qty
26-30	1506691	COVER, AC INLET		1
1	1506390	Powermodule, Rhino, 50A, DR50-A01		1
2	1506391	WIRE, HARNESS		1
3,4	1506890	P.C.BOARD, CPL.		1
3	1506392	P.C.BOARD, COMP METER		1
5	1506394	STARTER ASSEMBLY		1
6	1506395	VARIABLE RESISTOR ASSEMBLY 30.0KO		1
7	1506410	KNOB, SPEED CONTROL		1
8	1506411	MAIN SWITCH, KEY 2-POLE		1
9,10	1506891	BUZZER CPL.		1
11,12	1506892	SWITCH HORN, CPL.		1
13,14	1506893	METER, VOLTMETER CPL.		1
14	-	Screw (M3x10)		1
15	1506424	WIRE, BATTERY		1
16	1506425	WIRE, MOTOR & BRAKE		1
17	1506481	WIRE HARNESS, BATTERY		1
18	1506490	POWER INLET ASSEMBLY		1
19	1506491	ON-BOARD DC24V-2.0Amp		1
21	P21080	Power Cord UK (GCB-0403)		1
21	P21079	Power Cord Continental (Schuko GCB-0401)		1
24	1506689	VEL-CRO (50L)		2
25	1506690	VEL-CRO (50L)		2
26	1506691	COVER, AC INLET		1
27	-	Plane Washer		1
30	1506889	SPONGE, THERMAL SWITCH		1
31	SP1530212	Keys (Set of 2 pcs)		1

# Programming-Kit

1505733 iso

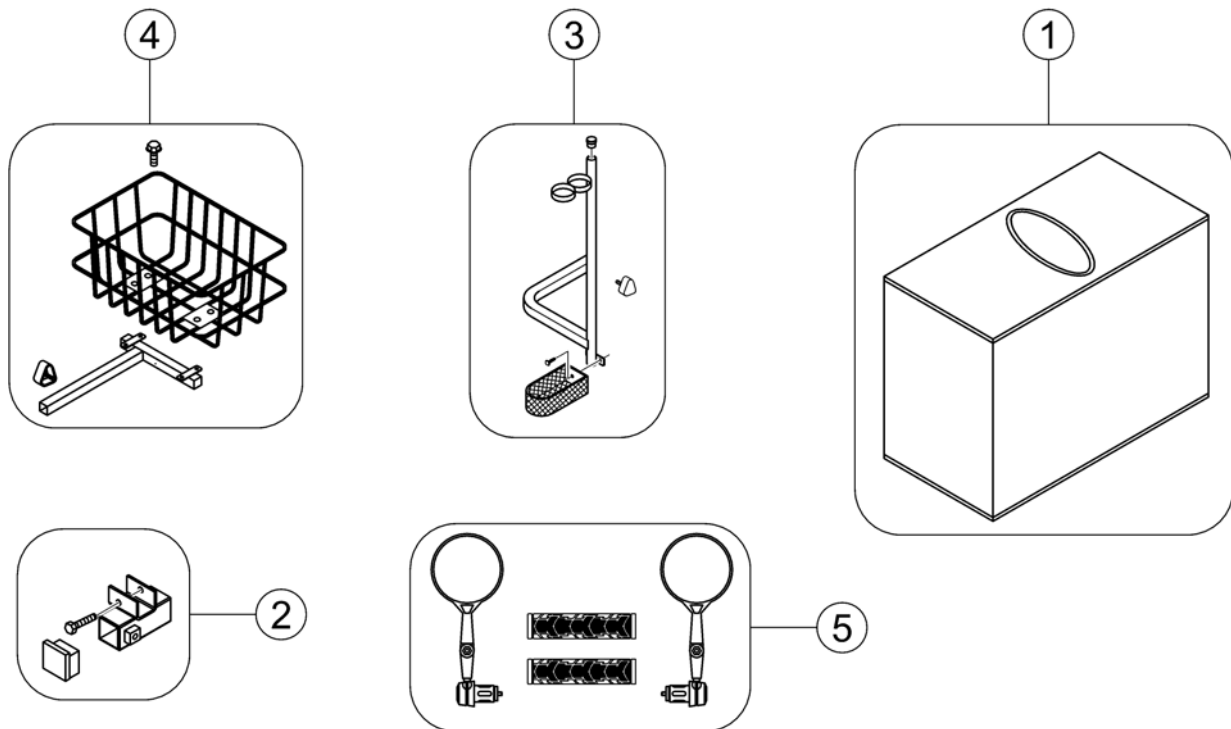


Pos.	Part number	Description	Valid from → until	Qty
-	1449280	USW wizard dongle kit, EDL-USW, cpl.		1
1	1505733	Programmer Kit		1



# Accessories Lynx

1509434.iso



Pos.	Part number	Description	Valid from → until	Qty
-	1449280	USW wizard dongle kit, EDL-USW, cpl.		1
1	SP1509434	Storage Cover		1
2	SP1507388	HOLDER, CPL.		1
3	SP1528274	Crutchholder, cpl. <i>If retrofitting crutch holder, also order 1507388</i>		1
4	SP1505727	Rear Basket, cpl. <i>If retrofitting rear basket, also order 1507388</i>		1
5	SP1543161	Lynx Rear View Mirrors 2 Mirrors & hand grips		1



Yes, you can.®



---

**Belgium & Luxemburg:**

Invacare nv, Autobaan 22, B-8210 Loppem  
Tel: (32) (0)50 83 10 10, Fax: (32) (0)50 83 10 11  
belgium@invacare.com / www.invacare.be

**Denmark:**

Invacare A/S, Sdr. Ringvej 37, DK-2605 Brøndby  
Tel: (45) (0)36 90 00 00, Fax: (45) (0)36 90 00 01  
denmark@invacare.com / www.invacare.dk

**Deutschland:**

Invacare Aquatec GmbH, Alemannenstraße 10, D-88316 Isny  
Tel: (49) (0)75 62 7 00 0, Fax: (49) (0)75 62 7 00 66  
info@invacare-aquatec.com / www.invacare-aquatec.de

**European Distributor Organisation:**

Invacare, Kleiststraße 49, D-32457 Porta Westfalica  
Tel: (49) (0)57 31 754 540, Fax: (49) (0)57 31 754 541  
edo@invacare.com / www.invacare.eu.com

**España:**

Invacare SA, c/Areny s/n, Polígon Industrial de Celrà, E-17460 Celrà (Girona)  
Tel: (34) (0)972 49 32 00, Fax: (34) (0)972 49 32 20  
contactsp@invacare.com / www.invacare.es

**France:**

Invacare Poirier SAS, Route de St Roch, F-37230 Fondettes  
Tel: (33) (0)2 47 62 64 66, Fax: (33) (0)2 47 42 12 24  
contactfr@invacare.com / www.invacare.fr

**Ireland:**

Invacare Ireland Ltd, Unit 5 Seatown Business Campus, Seatown Road, Swords, County Dublin - Ireland  
Tel: (353) 1 810 7084, Fax: (353) 1 810 7085  
ireland@invacare.com / www.invacare.ie

**Italia:**

Invacare Mecc San s.r.l., Via dei Pini 62, I-36016 Thiene (VI)  
Tel: (39) 0445 38 00 59, Fax: (39) 0445 38 00 34  
italia@invacare.com / www.invacare.it

**Nederland:**

Invacare BV, Celsiusstraat 46, NL-6716 BZ Ede  
Tel: (31) (0)318 695 757, Fax: (31) (0)318 695 758  
nederland@invacare.com, csede@invacare.com / www.invacare.nl

**Norge:**

Invacare AS, Grensesvingen 9, Postboks 6230, Etterstad, N-0603 Oslo  
Tel: (47) (0)22 57 95 00, Fax: (47) (0)22 57 95 01  
norway@invacare.com, island@invacare.com / www.invacare.no

**Österreich:**

Invacare Austria GmbH, Herzog Odilostrasse 101, A-5310 Mondsee  
Tel: (43) 6232 5535 0, Fax: (43) 6232 5535 4  
info-austria@invacare.com / www.invacare.at

**Portugal:**

Invacare Lda, Rua Estrada Velha, 949, P-4465-784 Leça do Balio  
Tel: (351) (0)225 1059 46/47, Fax: (351) (0)225 1057 39  
portugal@invacare.com / www.invacare.pt

**Sverige & Suomi:**

Invacare AB, Fagerstagatan 9, S-163 91 Spånga  
Tel: (46) (0)8 761 70 90, Fax: (46) (0)8 761 81 08  
sweden@invacare.com, finland@invacare.com / www.invacare.se

**Switzerland:**

Invacare AG, Benkenstrasse 260, CH-4108 Witterswil  
Tel: (41) (0)61 487 70 80, Fax: (41) (0)61 487 70 81  
switzerland@invacare.com / www.invacare.ch

**United Kingdom:**

Invacare Limited, Pencoed Technology Park, Pencoed, Bridgend CF35 5AQ  
Switchboard Tel: (44) (0)1656 776200, Fax: (44) (0)1656 776201  
Customer services Tel: (44) (0)1656 776222, Fax: (44) (0)1656 776220  
uk@invacare.com / www.invacare.co.uk