

Spare Parts Catalogue

Version: 2012/10/09b EN



DOLOMITE® LEGACY



Yes, you can.®

General Information

For any order of spare parts the following information is required:

- Product type*
- Product name & model*
- Serial Number*
- Part-Number*
- Part-Description*

Exploded view drawings and code numbers are not contractual and subject to modification, in relation to Invacare® continuous product improvement policy to meet end users needs.

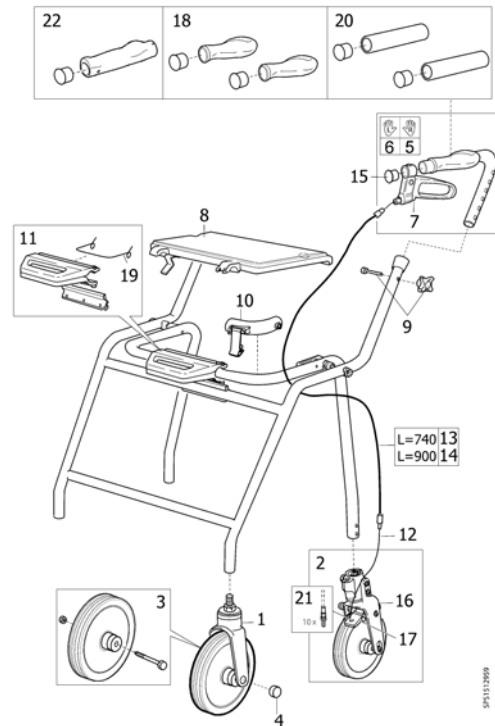
The reproduction or use of this work, or of any substantial part of this work, in any form or by any electronic, mechanical or other means, including photocopying, scanning and recording, and in any information storage and retrieval system, including electronic transmission, is forbidden without the prior written permission of Invacare® International Sarl.



Yes, you can.®

TABLE OF CONTENTS

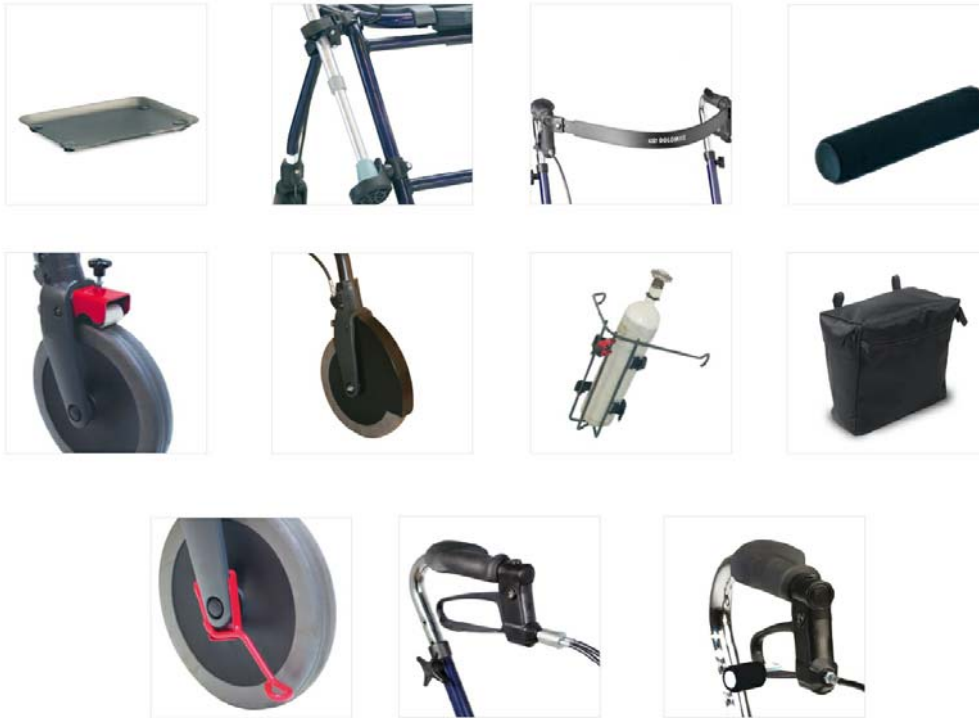
Spare parts	5
Accessories	7



Pos.	Part number	Description	Valid from → until	Qty
	82038	User manual other languages		1
	82034	User manual Nordic languages		1
1	13565-V01	Front fork complete with SL II wheel <i>Replaces item 13565-25-V01</i>	2010-03-03 →	1
1	13565-25-V01	Front fork complete with SL II wheel grey	→ 2010-03-02	1
2	1534944	Rear fork complete DABS II with wheel, black <i>Replaces item 12594</i>	2010-03-03 →	1
2	12594	Rear fork complete with SL II wheel black	→ 2010-03-02	1
3	12609	SL II wheel complete with locking nut		1
4	1452282	Cover 20 pcs		1
5	13148	Handle,anatomic, Right OPAL Loopbrake		1
6	13149	Handle, anatomic, Left OPAL Loopbrake		1
7	13464-L	Brake handle left		1
7	13464-R	Brake handle right		1
8	12545	Seat kit		1
9	1452459	Height adjustment knob and screw 10 pcs <i>Replaces 12665</i>		1
10	1452288	Folding lock red 10 pcs		1
10	12656	Folding lock complete		1
11	1510376	Folding mechanism kit <i>Replaces 12622 and 12647</i>		1
12	1452283	Wire 10 pcs		1
13	1529908	Cover L=740 mm 10 pcs <i>LEGACY 450 - Replaces 80067</i>		1
14	1529879	Cover L=900 mm 10 pcs <i>LEGACY 520/600 - Replaces 80016</i>		1
15	1529860	End cap 20 pcs		1
16	12617	Brake pad		1
17	12620	Brake shoe complete		1
17	72091	Brake shoe		1
18	12509	Anatomic handgrip		1
19	1529858	Spring for Foldinghandle 10 pcs		1
20	12677	Soft handgrip L=220 mm, 2 units		1

Spare parts

Pos.	Part number	Description	Valid from → until	Qty
21	1542524	Adjustmentscrew with nut, 10 pcs		1
22	1560486	Anatomical handle 10 pcs		1



Pos.	Part number	Description	Valid from → until	Qty
	12538-15	Basket, max load 7 kg <i>LEGACY 450</i>		1
	12530-15	Basket, max load 9 kg <i>LEGACY 520/600</i>		1
1	70311	Tray		1
2	12606	Cane holder		1
3	12510	Back support		1
4	12677	Soft handgrip L=220 mm, 2 units		1
5	12535-21	Slow-down-brake	→ 2010-03-02	1
5	13041-21	Slow-down-brake, 2 units	2010-03-03 →	1
6	12544	Wheel guard, pair		1
7	12682-25	Oxygen holder		1
8	12523	Bag black		1
9	12560-21	Kerb climber right side	2010-03-03 →	1
9	12562-21	Kerb climber right side	→ 2010-03-03	1
10	12505-L	One-hand brake left		1
10	12505-R	One-hand brake right		1
11	12651	Brake booster		1



Yes, you can.®



Belgium & Luxemburg:

Invacare nv, Autobaan 22, B-8210 Loppem
Tel: (32) (0)50 83 10 10, Fax: (32) (0)50 83 10 11
belgium@invacare.com / www.invacare.be

Denmark:

Invacare A/S, Sdr. Ringvej 37, DK-2605 Brøndby
Tel: (45) (0)36 90 00 00, Fax: (45) (0)36 90 00 01
denmark@invacare.com / www.invacare.dk

Deutschland:

Invacare Aquatec GmbH, Alemannenstraße 10, D-88316 Isny
Tel: (49) (0)75 62 7 00 0, Fax: (49) (0)75 62 7 00 66
info@invacare-aquatec.com / www.invacare-aquatec.de

European Distributor Organisation:

Invacare, Kleiststraße 49, D-32457 Porta Westfalica
Tel: (49) (0)57 31 754 540, Fax: (49) (0)57 31 754 541
edo@invacare.com / www.invacare.eu.com

España:

Invacare SA, c/Areny s/n, Polígon Industrial de Celrà, E-17460 Celrà (Girona)
Tel: (34) (0)972 49 32 00, Fax: (34) (0)972 49 32 20
contactsp@invacare.com / www.invacare.es

France:

Invacare Poirier SAS, Route de St Roch, F-37230 Fondettes
Tel: (33) (0)2 47 62 64 66, Fax: (33) (0)2 47 42 12 24
contactfr@invacare.com / www.invacare.fr

Ireland:

Invacare Ireland Ltd, Unit 5 Seatown Business Campus, Seatown Road, Swords, County Dublin - Ireland
Tel: (353) 1 810 7084, Fax: (353) 1 810 7085
ireland@invacare.com / www.invacare.ie

Italia:

Invacare Mecc San s.r.l., Via dei Pini 62, I-36016 Thiene (VI)
Tel: (39) 0445 38 00 59, Fax: (39) 0445 38 00 34
italia@invacare.com / www.invacare.it

Nederland:

Invacare BV, Celsiusstraat 46, NL-6716 BZ Ede
Tel: (31) (0)318 695 757, Fax: (31) (0)318 695 758
nederland@invacare.com, csede@invacare.com / www.invacare.nl

Norge:

Invacare AS, Grensingsvingen 9, Postboks 6230, Etterstad, N-0603 Oslo
Tel: (47) (0)22 57 95 00, Fax: (47) (0)22 57 95 01
norway@invacare.com, island@invacare.com / www.invacare.no

Österreich:

Invacare Austria GmbH, Herzog Odilostrasse 101, A-5310 Mondsee
Tel: (43) 6232 5535 0, Fax: (43) 6232 5535 4
info-austria@invacare.com / www.invacare.at

Portugal:

Invacare Lda, Rua Estrada Velha, 949, P-4465-784 Leça do Balio
Tel: (351) (0)225 1059 46/47, Fax: (351) (0)225 1057 39
portugal@invacare.com / www.invacare.pt

Sverige & Suomi:

Invacare AB, Fagerstagatan 9, S-163 91 Spånga
Tel: (46) (0)8 761 70 90, Fax: (46) (0)8 761 81 08
sweden@invacare.com, finland@invacare.com / www.invacare.se

Switzerland:

Invacare AG, Benkenstrasse 260, CH-4108 Witterswil
Tel: (41) (0)61 487 70 80, Fax: (41) (0)61 487 70 81
switzerland@invacare.com / www.invacare.ch

United Kingdom:

Invacare Limited, Pencoed Technology Park, Pencoed, Bridgend CF35 5AQ
Switchboard Tel: (44) (0)1656 776200, Fax: (44) (0)1656 776201
Customer services Tel: (44) (0)1656 776222, Fax: (44) (0)1656 776220
uk@invacare.com / www.invacare.co.uk