

# *Spare Parts Catalogue*

---

Version: 2018/02/21a EN



*küschall* Advance™



**Yes, you can.®**

## **General Information**

*For any order of spare parts the following information is required:*

- Product type*
- Product name & model*
- Serial Number*
- Part-Number*
- Part-Description*

*Exploded view drawings and code numbers are not contractual and subject to modification, in relation to Invacare® continuous product improvement policy to meet end users needs.*

*The reproduction or use of this work, or of any substantial part of this work, in any form or by any electronic, mechanical or other means, including photocopying, scanning and recording, and in any information storage and retrieval system, including electronic transmission, is forbidden without the prior written permission of Invacare® International Sarl.*



Yes, you can.<sup>®</sup>

## TABLE OF CONTENTS

---

### INFORMATION

INFORMATION .....	7
Abbreviations .....	8
Frame colours .....	9
CPS colours .....	10

### CHASSIS

CHASSIS .....	11
Frame Aluminium 75° standard .....	12
Frame Aluminium 75° adducted .....	13
Frame Aluminium 75° quick release .....	14
Frame Aluminium 90° standard .....	16
Frame Aluminium 90° adducted .....	17
Frame Aluminium 90° quick release .....	18
Axle tube Aluminium .....	20
Axle tube Carbon .....	21
Vario-Ax .....	22
Vertical brace .....	23
Axle holder .....	24

### SEAT

SEAT .....	25
Seat module .....	26
Seat cushion standard .....	28

### BACKREST

BACKREST .....	30
Backrest standard .....	31
Küschall backrest parts for Matrix backs .....	33
Backrest cover light .....	34
Bands to adjustable backrest .....	37
Cover to adjustable backrest .....	38
Push handles, height adjustable, rear set .....	39

### FOOTREST

FOOTREST .....	40
Footrest standard .....	41
Footrest standard highmounted .....	43
Footrest standard for adducted frame .....	45
Footrest standard highmounted for adducted frame .....	47
Footrest standard for quick release frame .....	48
Footrest standard highmounted for quick release frame .....	50
Footrest angle adjustable .....	52
Footrest angle adjustable highmounted .....	53
Footrest angle adjustable for adducted frame .....	54
Footrest angle adjustable highmounted for adducted frame .....	55
Footrest flip-to-side .....	56
Footrest flip-to-side for adducted frame .....	57
Calf strap .....	58



Yes, you can.®

## TABLE OF CONTENTS

---

### SIDERESTS

SIDERESTS .....	59
Clothes-guards carbon .....	60
Configuration table clothes-guard carbon .....	61
Mudguards carbon .....	62
Configuration table mudguards carbon .....	63
Siderest height adjustable .....	64
Tubular armrest .....	65

### FRONT WHEELS

FRONT WHEELS .....	66
Front forks standard .....	67
Configuration table for front fork size .....	69
Front wheels .....	70

### REAR WHEELS

REAR WHEELS .....	72
22" Kuschall rear wheels complete .....	73
24" Kuschall rear wheels complete .....	75
26" Kuschall rear wheels complete .....	78
High Performance wheel .....	81
Mountainbike wheel .....	83
Ultra-light fibre wheel .....	84
Spinergy wheel .....	85
Spinergy LXX wheel .....	86
Hub brake wheel .....	87
Handrim .....	88
Fixation handrim .....	89
Tyre .....	90
Inner tube and rim protector .....	91
Spokes guard .....	92
Quick release axle and bearing .....	93

### BRAKES

BRAKES .....	94
Brakes .....	95

### SEAT ACCESSORIES

SEAT ACCESSORIES .....	96
Seat bag .....	97

### OPTIONS & ACCESSORIES

OPTIONS & ACCESSORIES .....	98
Antitipper .....	99
Antitipper with configurations .....	100
Active Antitipper .....	101
Transit wheel .....	102
Luggage holder .....	103



**Yes, you can.®**

## **TABLE OF CONTENTS**

---

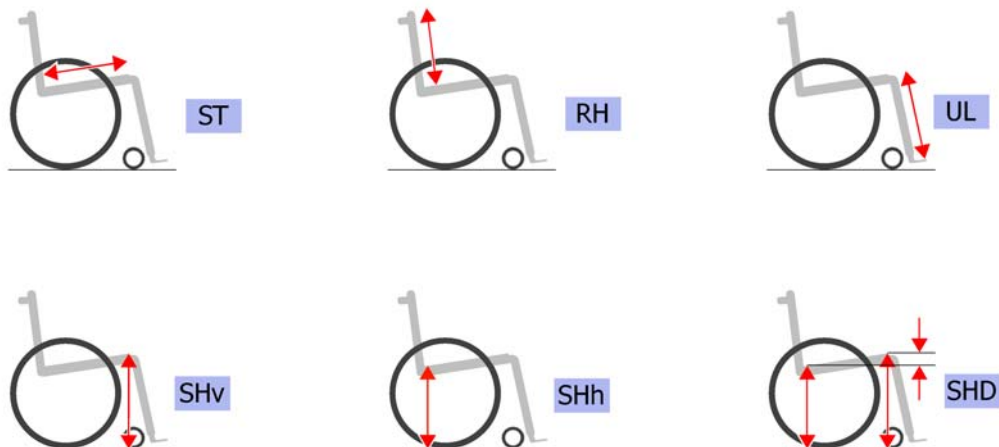
Chair accessories .....	104
Fixation: screws, ... ..	105
Socket head cap screws .....	106
Countersunk screws .....	109
Button head screws .....	111
Hex-head screws, diverse, ... ..	113
Washers .....	115
Nuts .....	117
Pins, rivets, ... ..	119



**INFORMATION**

<b>Pos.</b>	<b>Part number</b>	<b>Description</b>	<b>Valid from → until</b>	<b>Qty</b>
1	-	Abbreviations		1
2	-	Frame colours		1
3	-	CPS colours		1

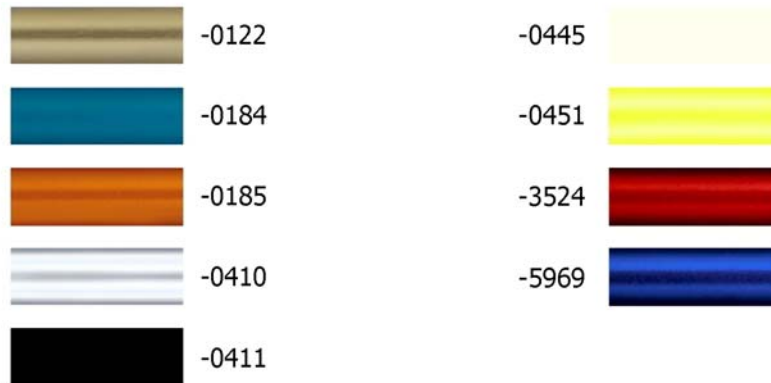
## Abbreviations



Pos.	Part number	Description	Valid from → until	Qty
L	-	Left side (sitting in the wheelchair)		0
R	-	Right side (sitting in the wheelchair)		0
L+R	-	Left an right sides (paire)		0
SB	-	Seat width (2 digits in cm or 3 digits in mm)		0
ST	-	Seat depth (2 digits in cm or 3 digits in mm)		0
RH	-	Backrest height (2 digits in cm or 3 digits in mm)		0
UL	-	Knee-to-heel length (2 digits in cm or 3 digits in mm)		0
SHv	-	Front seat-to-floor height (2 digits in cm or 3 digits in mm)		0
SHh	-	Rear seat-to-floor height (2 digits in cm or 3 digits in mm)		0
SHD	-	Front and rear seat-to-floor height difference (2 digits in cm or 3 digits in mm)		0

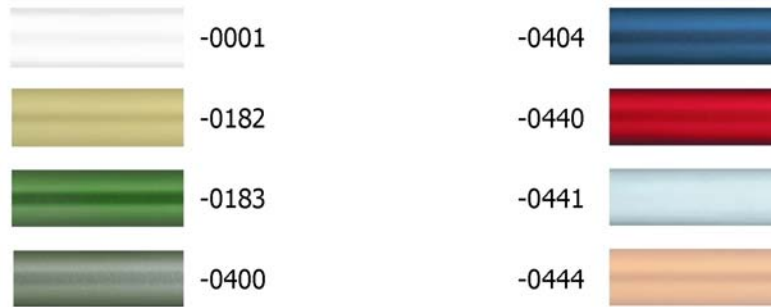


## Frame colours

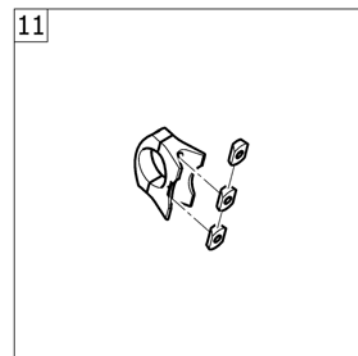
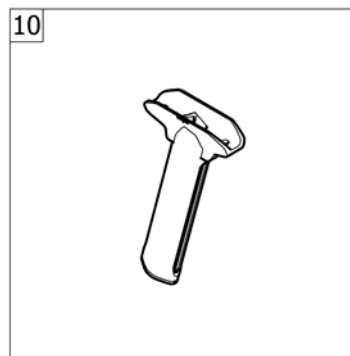
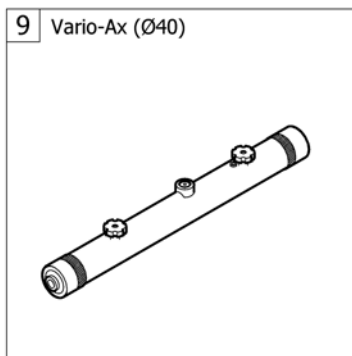
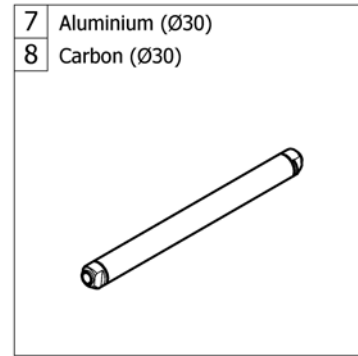
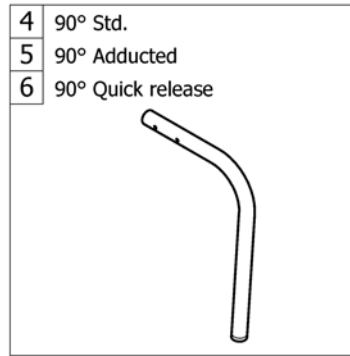
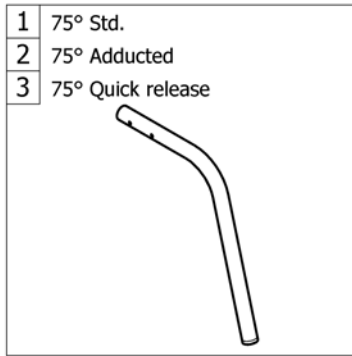


Pos.	Part number	Description	Valid from → until	Qty
-0122	-	Color code for golden beach frames	2013-01-01 → 2014-12-31	0
-0184	-	Color code for mercury blue frames	2015-01-01 →	0
-0185	-	Color code for dynamite orange frames	2015-01-01 →	0
-0410	-	Color code for polished frames		0
-0411	-	Color code for black matt frames		0
-0445	-	Color code for ivory white frames		0
-0451	-	Color code for flashy yellow frames		0
-3524	-	Color code for royal red frames		0
-5969	-	Color code for royal blue frames		0

## CPS colours

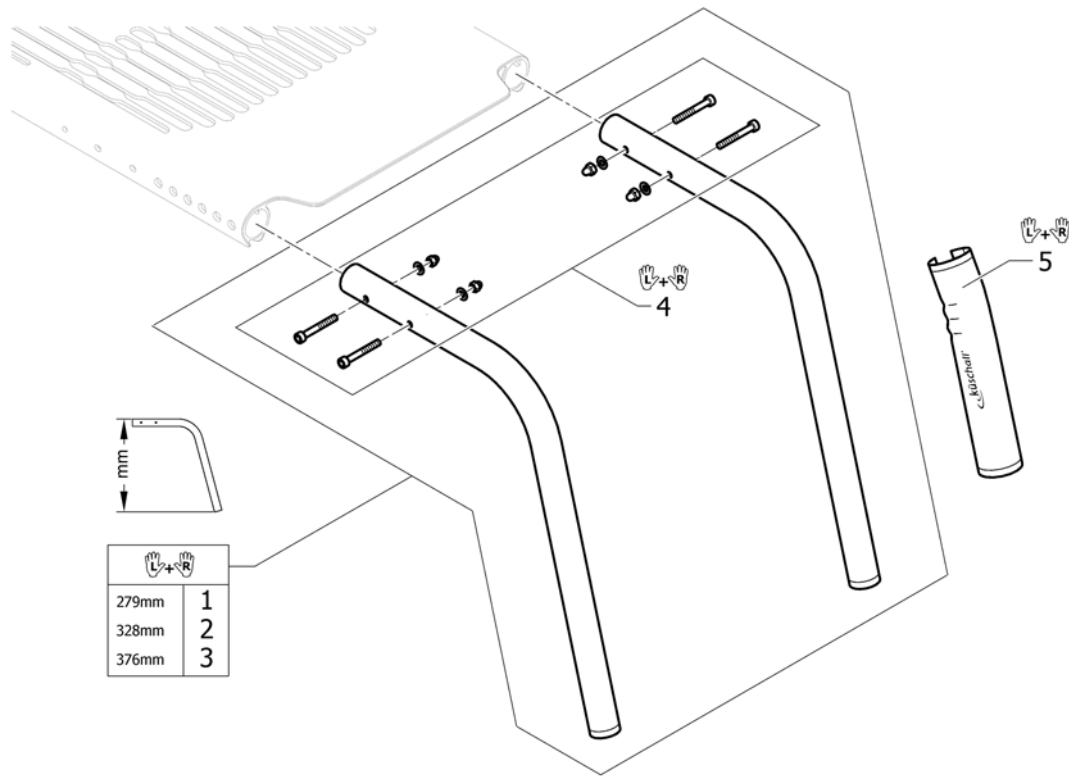


Pos.	Part number	Description	Valid from → until	Qty
-0001	-	Color code for chrome CPS		0
-0182	-	Color code for champagne CPS	2013-01-01 →	0
-0183	-	Color code for olive CPS	2013-01-01 → 2014-12-31	0
-0400	-	Color code for techno-anthrazit CPS		0
-0404	-	Color code for b-blue CPS	2012-05-14 → 2014-12-31	0
-0440	-	Color code for comet red CPS		0
-0441	-	Color code for arctic blue CPS		0
-0444	-	Color code for copper glaze CPS	2012-05-14 → 2014-12-31	0

**CHASSIS**

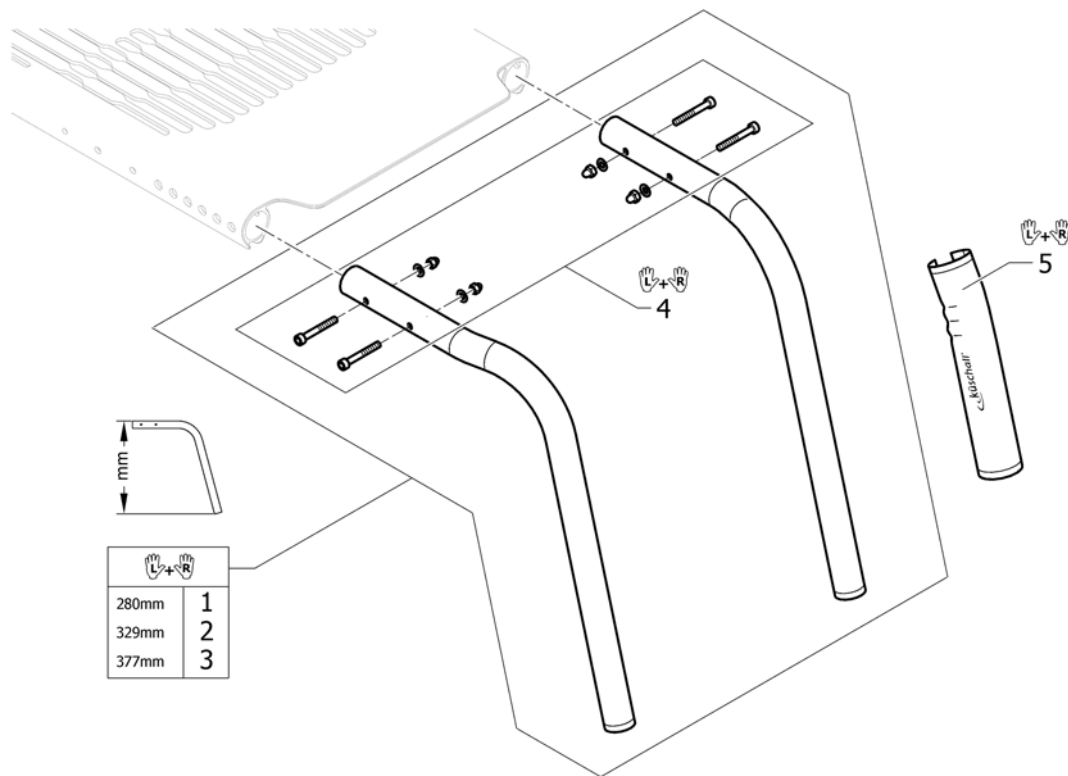
Pos.	Part number	Description	Valid from → until	Qty
1	-	Frame Aluminium 75° standard		1
2	-	Frame Aluminium 75° adducted		1
3	-	Frame Aluminium 75° quick release	2013-01-01 →	1
4	-	Frame Aluminium 90° standard		1
5	-	Frame Aluminium 90° adducted		1
6	-	Frame Aluminium 90° quick release	2013-01-01 →	1
7	-	Axle tube Aluminium		1
8	-	Axle tube Carbon		1
9	-	Vario-Ax		1
10	-	Vertical brace		1
11	-	Axle holder		1

# Frame Aluminium 75° standard



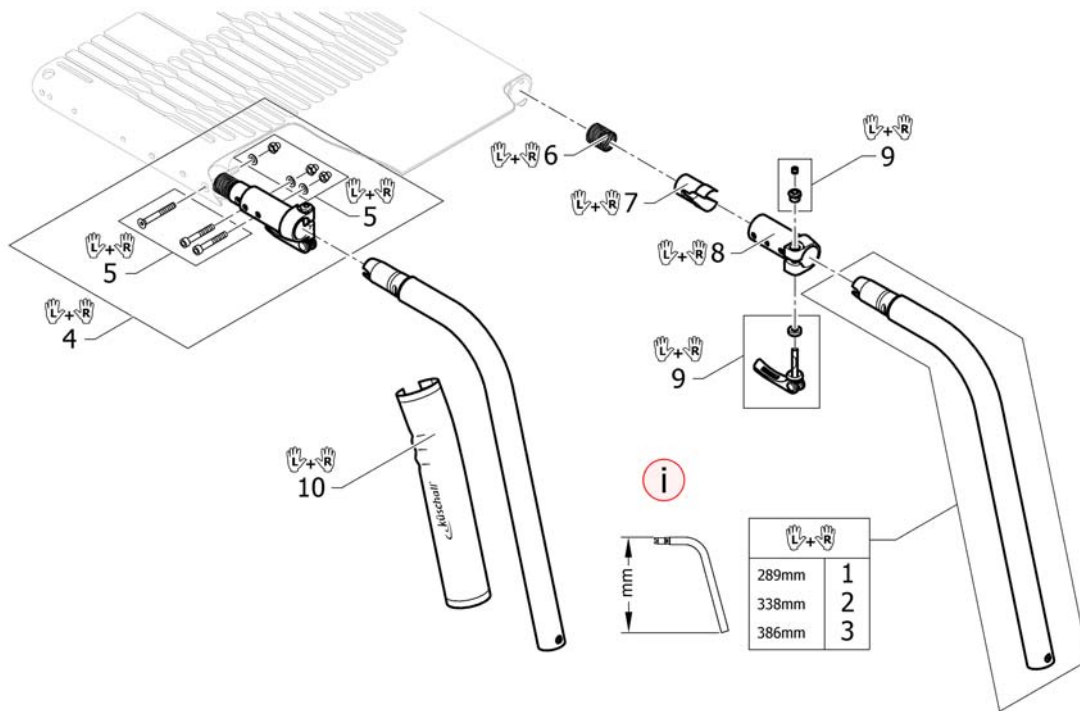
Pos.	Part number	Description	Valid from → until	Qty
1	1560203-0122	Front frame 75° short, pair, golden beach	2013-01-01 → 2014-12-31	1
1	1560203-0184	Front frame 75° short, pair, mercury blue	2015-01-01 →	1
1	1560203-0185	Front frame 75° short, pair, dynamite orange	2015-01-01 →	1
1	1560203-0410	Front frame 75° short, pair, polished		1
1	1560203-0411	Front frame 75° short, pair, black matt		1
1	1560203-0445	Front frame 75° short, pair, ivory white		1
1	1560203-0451	Front frame 75° short, pair, flashy yellow		1
1	1560203-3524	Front frame 75° short, pair, royal red		1
1	1560203-5969	Front frame 75° short, pair, royal blue		1
2	1560204-0122	Front frame 75° medium, pair, golden beach	2013-01-01 → 2014-12-31	1
2	1560204-0184	Front frame 75° medium, pair, mercury blue	2015-01-01 →	1
2	1560204-0185	Front frame 75° medium, pair, dynamite orange	2015-01-01 →	1
2	1560204-0410	Front frame 75° medium, pair, polished		1
2	1560204-0411	Front frame 75° medium, pair, black matt		1
2	1560204-0445	Front frame 75° medium, pair, ivory white		1
2	1560204-0451	Front frame 75° medium, pair, flashy yellow		1
2	1560204-3524	Front frame 75° medium, pair, royal red		1
2	1560204-5969	Front frame 75° medium, pair, royal blue		1
3	1560205-0122	Front frame 75° long, pair, golden beach	2013-01-01 → 2014-12-31	1
3	1560205-0184	Front frame 75° long, pair, mercury blue	2015-01-01 →	1
3	1560205-0185	Front frame 75° long, pair, dynamite orange	2015-01-01 →	1
3	1560205-0410	Front frame 75° long, pair, polished		1
3	1560205-0411	Front frame 75° long, pair, black matt		1
3	1560205-0445	Front frame 75° long, pair, ivory white		1
3	1560205-0451	Front frame 75° long, pair, flashy yellow		1
3	1560205-3524	Front frame 75° long, pair, royal red		1
3	1560205-5969	Front frame 75° long, pair, royal blue		1
4	1560215	Fixation kit seat module, Alu frame		1
5	1529372	Front frame protectors, pair		1

## Frame Aluminium 75° adducted



Pos.	Part number	Description	Valid from → until	Qty
1	1560209-0122	Front frame 75° adducted, short, pair, golden beach	2013-01-01 → 2014-12-31	1
1	1560209-0184	Front frame 75° adducted, short, pair, mercury blue	2015-01-01 →	1
1	1560209-0185	Front frame 75° adducted, short, pair, dynamite orange	2015-01-01 →	1
1	1560209-0410	Front frame 75° adducted, short, pair, polished		1
1	1560209-0411	Front frame 75° adducted, short, pair, black matt		1
1	1560209-0445	Front frame 75° adducted, short, pair, ivory white		1
1	1560209-0451	Front frame 75° adducted, short, pair, flashy yellow		1
1	1560209-3524	Front frame 75° adducted, short, pair, royal red		1
1	1560209-5969	Front frame 75° adducted, short, pair, royal blue		1
2	1560210-0122	Front frame 75° adducted, medium, pair, golden beach	2013-01-01 → 2014-12-31	1
2	1560210-0184	Front frame 75° adducted, medium, pair, mercury blue	2015-01-01 →	1
2	1560210-0185	Front frame 75° adducted, medium, pair, dynamite orange	2015-01-01 →	1
2	1560210-0410	Front frame 75° adducted, medium, pair, polished		1
2	1560210-0411	Front frame 75° adducted, medium, pair, black matt		1
2	1560210-0445	Front frame 75° adducted, medium, pair, ivory white		1
2	1560210-0451	Front frame 75° adducted, medium, pair, flashy yellow		1
2	1560210-3524	Front frame 75° adducted, medium, pair, royal red		1
2	1560210-5969	Front frame 75° adducted, medium, pair, royal blue		1
3	1560211-0122	Front frame 75° adducted, long, pair, golden beach	2013-01-01 → 2014-12-31	1
3	1560211-0184	Front frame 75° adducted, long, pair, mercury blue	2015-01-01 →	1
3	1560211-0185	Front frame 75° adducted, long, pair, dynamite orange	2015-01-01 →	1
3	1560211-0410	Front frame 75° adducted, long, pair, polished		1
3	1560211-0411	Front frame 75° adducted, long, pair, black matt		1
3	1560211-0445	Front frame 75° adducted, long, pair, ivory white		1
3	1560211-0451	Front frame 75° adducted, long, pair, flashy yellow		1
3	1560211-3524	Front frame 75° adducted, long, pair, royal red		1
3	1560211-5969	Front frame 75° adducted, long, pair, royal blue		1
4	1560215	Fixation kit seat module, Alu frame		1
5	1529372	Front frame protectors, pair		1

# Frame Aluminium 75° quick release

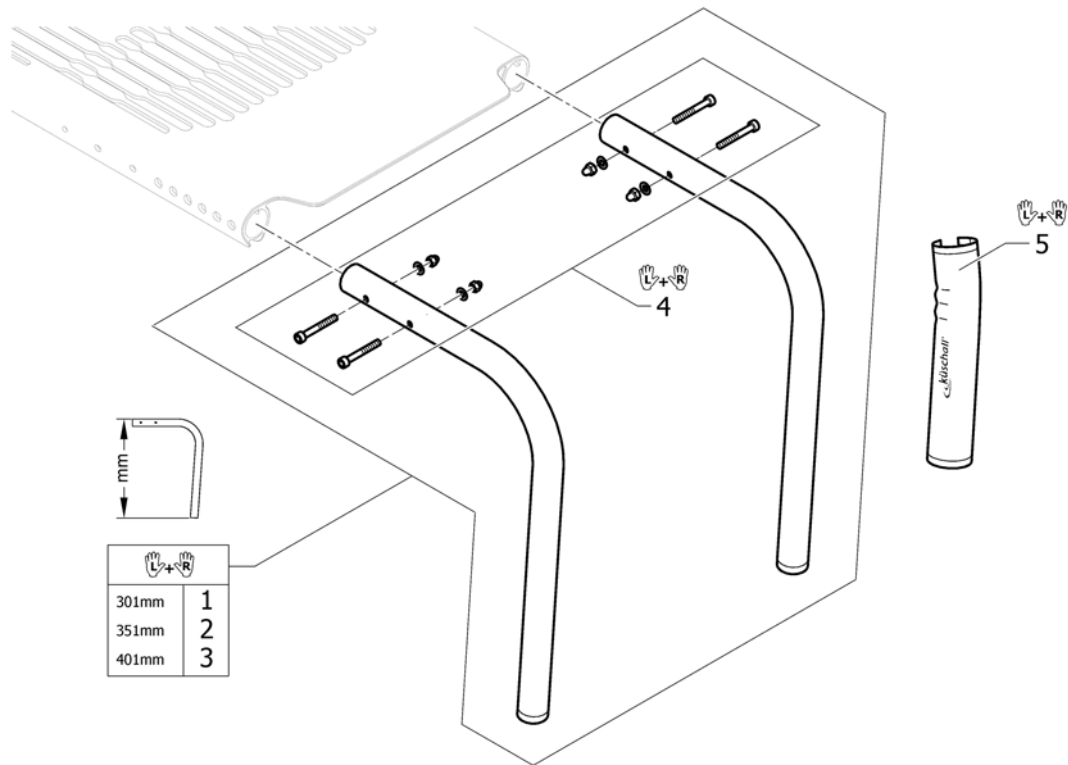


Pos.	Part number	Description	Valid from → until	Qty
i	-	A special footrest is necessary. See page: Footrest for quick release frame		0
1	1567244-0122	Quick release frames 75° short, pair, golden beach	2013-01-01 → 2014-12-31	1
1	1567244-0184	Quick release frames 75° short, pair, mercury blue	2015-01-01 →	1
1	1567244-0185	Quick release frames 75° short, pair, dynamite orange	2015-01-01 →	1
1	1567244-0410	Quick release frames 75° short, pair, polished		1
1	1567244-0411	Quick release frames 75° short, pair, black matt		1
1	1567244-0445	Quick release frames 75° short, pair, ivory white		1
1	1567244-0451	Quick release frames 75° short, pair, flashy yellow		1
1	1567244-3524	Quick release frames 75° short, pair, royal red		1
1	1567244-5969	Quick release frames 75° short, pair, royal blue		1
2	1567245-0122	Quick release frames 75° medium, pair, golden beach	2013-01-01 → 2014-12-31	1
2	1567245-0184	Quick release frames 75° medium, pair, mercury blue	2015-01-01 →	1
2	1567245-0185	Quick release frames 75° medium, pair, dynamite orange	2015-01-01 →	1
2	1567245-0410	Quick release frames 75° medium, pair, polished		1
2	1567245-0411	Quick release frames 75° medium, pair, black matt		1
2	1567245-0445	Quick release frames 75° medium, pair, ivory white		1
2	1567245-0451	Quick release frames 75° medium, pair, flashy yellow		1
2	1567245-3524	Quick release frames 75° medium, pair, royal red		1
2	1567245-5969	Quick release frames 75° medium, pair, royal blue		1
3	1567246-0122	Quick release frames 75° long, pair, golden beach	2013-01-01 → 2014-12-31	1
3	1567246-0184	Quick release frames 75° long, pair, mercury blue	2015-01-01 →	1
3	1567246-0185	Quick release frames 75° long, pair, dynamite orange	2015-01-01 →	1
3	1567246-0410	Quick release frames 75° long, pair, polished		1
3	1567246-0411	Quick release frames 75° long, pair, black matt		1
3	1567246-0445	Quick release frames 75° long, pair, ivory white		1
3	1567246-0451	Quick release frames 75° long, pair, flashy yellow		1
3	1567246-3524	Quick release frames 75° long, pair, royal red		1
3	1567246-5969	Quick release frames 75° long, pair, royal blue		1

**Frame Aluminium 75° quick release**

<b>Pos.</b>	<b>Part number</b>	<b>Description</b>	<b>Valid from → until</b>	<b>Qty</b>
4	1567250	Kit coupling female for quick release frames, complete, pair		1
5	1567251	Fixation kit seat module, coupling female for quick release frames, pair		1
6	1567252	Spring for quick release frames, pair		1
7	1567320	Sleeve for quick release frames, pair		1
8	1567321	Coupling female for quick release frames, pair		1
9	1567322	Levers complete quick release frames, pair		1
10	1529372	Front frame protectors, pair		1

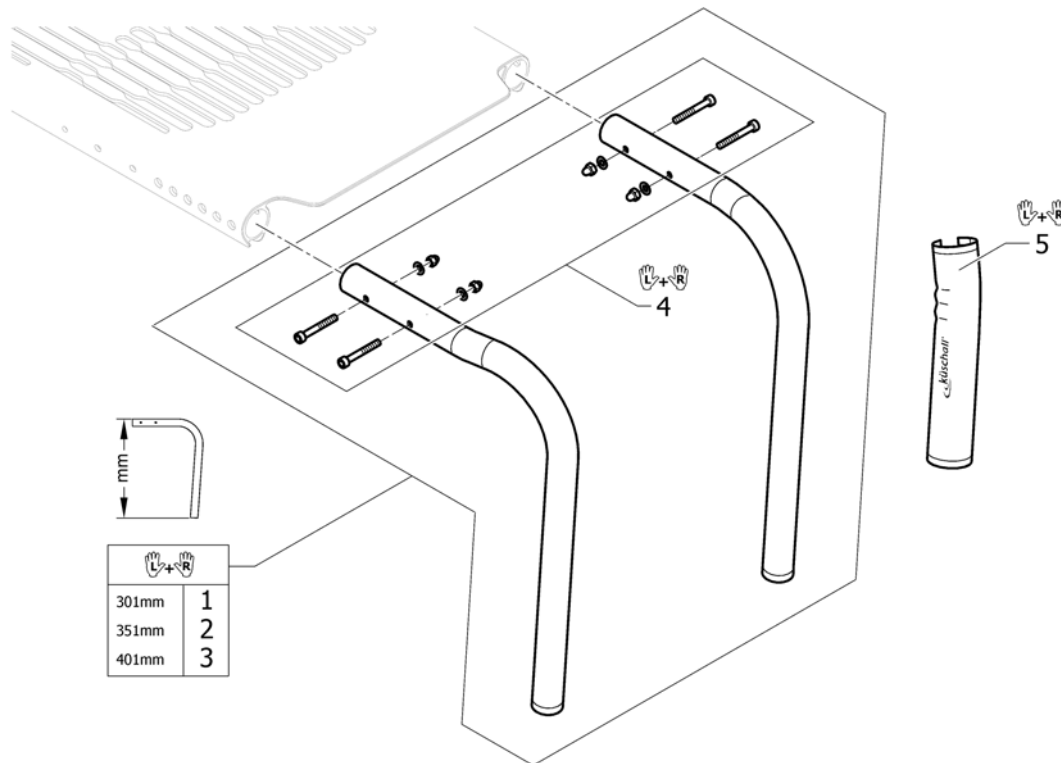
# Frame Aluminium 90° standard



Pos.	Part number	Description	Valid from → until	Qty
1	1560206-0122	Front frame 90° short, pair, golden beach	2013-01-01 → 2014-12-31	1
1	1560206-0184	Front frame 90° short, pair, mercury blue	2015-01-01 →	1
1	1560206-0185	Front frame 90° short, pair, dynamite orange	2015-01-01 →	1
1	1560206-0410	Front frame 90° short, pair, polished		1
1	1560206-0411	Front frame 90° short, pair, black matt		1
1	1560206-0445	Front frame 90° short, pair, ivory white		1
1	1560206-0451	Front frame 90° short, pair, flashy yellow		1
1	1560206-3524	Front frame 90° short, pair, royal red		1
1	1560206-5969	Front frame 90° short, pair, royal blue		1
2	1560207-0122	Front frame 90° medium, pair, golden beach	2013-01-01 → 2014-12-31	1
2	1560207-0184	Front frame 90° medium, pair, mercury blue	2015-01-01 →	1
2	1560207-0185	Front frame 90° medium, pair, dynamite orange	2015-01-01 →	1
2	1560207-0410	Front frame 90° medium, pair, polished		1
2	1560207-0411	Front frame 90° medium, pair, black matt		1
2	1560207-0445	Front frame 90° medium, pair, ivory white		1
2	1560207-0451	Front frame 90° medium, pair, flashy yellow		1
2	1560207-3524	Front frame 90° medium, pair, royal red		1
2	1560207-5969	Front frame 90° medium, pair, royal blue		1
3	1560208-0122	Front frame 90° long, pair, golden beach	2013-01-01 → 2014-12-31	1
3	1560208-0184	Front frame 90° long, pair, mercury blue	2015-01-01 →	1
3	1560208-0185	Front frame 90° long, pair, dynamite orange	2015-01-01 →	1
3	1560208-0410	Front frame 90° long, pair, polished		1
3	1560208-0411	Front frame 90° long, pair, black matt		1
3	1560208-0445	Front frame 90° long, pair, ivory white		1
3	1560208-0451	Front frame 90° long, pair, flashy yellow		1
3	1560208-3524	Front frame 90° long, pair, royal red		1
3	1560208-5969	Front frame 90° long, pair, royal blue		1
4	1560215	Fixation kit seat module, Alu frame		1
5	1529372	Front frame protectors, pair		1

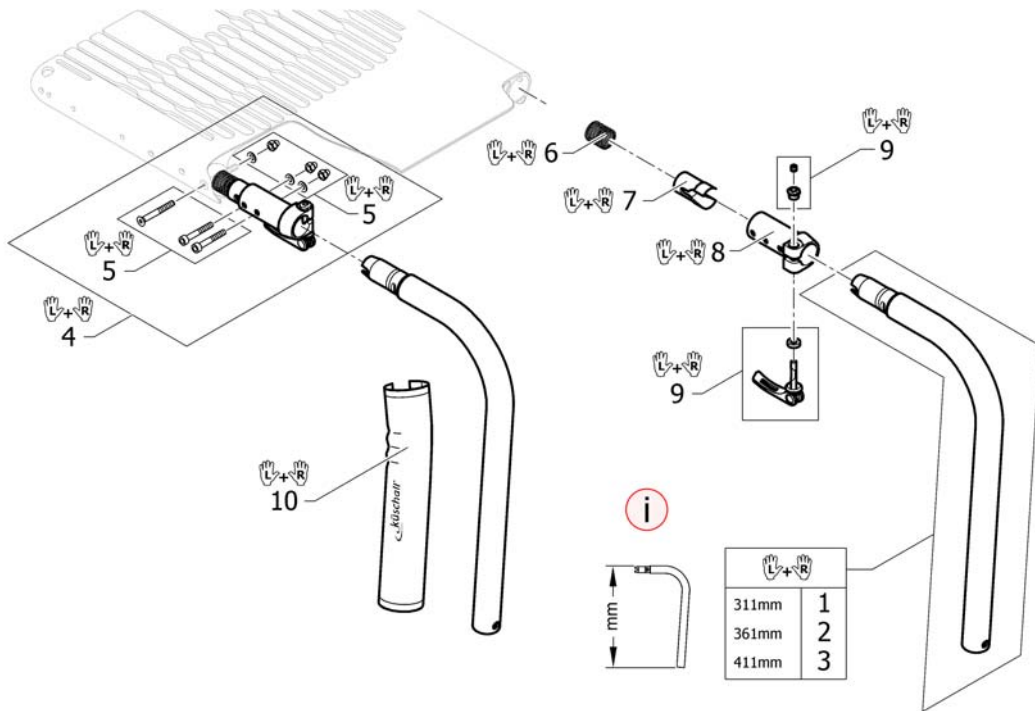


## Frame Aluminium 90° adducted



Pos.	Part number	Description	Valid from → until	Qty
1	1560212-0122	Front frame 90° adducted, short, pair, golden beach	2013-01-01 → 2014-12-31	1
1	1560212-0184	Front frame 90° adducted, short, pair, mercury blue	2015-01-01 →	1
1	1560212-0185	Front frame 90° adducted, short, pair, dynamite orange	2015-01-01 →	1
1	1560212-0410	Front frame 90° adducted, short, pair, polished		1
1	1560212-0411	Front frame 90° adducted, short, pair, black matt		1
1	1560212-0445	Front frame 90° adducted, short, pair, ivory white		1
1	1560212-0451	Front frame 90° adducted, short, pair, flashy yellow		1
1	1560212-3524	Front frame 90° adducted, short, pair, royal red		1
1	1560212-5969	Front frame 90° adducted, short, pair, royal blue		1
2	1560213-0122	Front frame 90° adducted, medium, pair, golden beach	2013-01-01 → 2014-12-31	1
2	1560213-0184	Front frame 90° adducted, medium, pair, mercury blue	2015-01-01 →	1
2	1560213-0185	Front frame 90° adducted, medium, pair, dynamite orange	2015-01-01 →	1
2	1560213-0410	Front frame 90° adducted, medium, pair, polished		1
2	1560213-0411	Front frame 90° adducted, medium, pair, black matt		1
2	1560213-0445	Front frame 90° adducted, medium, pair, ivory white		1
2	1560213-0451	Front frame 90° adducted, medium, pair, flashy yellow		1
2	1560213-3524	Front frame 90° adducted, medium, pair, royal red		1
2	1560213-5969	Front frame 90° adducted, medium, pair, royal blue		1
3	1560214-0122	Front frame 90° adducted, long, pair, golden beach	2013-01-01 → 2014-12-31	1
3	1560214-0184	Front frame 90° adducted, long, pair, mercury blue	2015-01-01 →	1
3	1560214-0185	Front frame 90° adducted, long, pair, dynamite orange	2015-01-01 →	1
3	1560214-0410	Front frame 90° adducted, long, pair, polished		1
3	1560214-0411	Front frame 90° adducted, long, pair, black matt		1
3	1560214-0445	Front frame 90° adducted, long, pair, ivory white		1
3	1560214-0451	Front frame 90° adducted, long, pair, flashy yellow		1
3	1560214-3524	Front frame 90° adducted, long, pair, royal red		1
3	1560214-5969	Front frame 90° adducted, long, pair, royal blue		1
4	1560215	Fixation kit seat module, Alu frame		1
5	1529372	Front frame protectors, pair		1

# Frame Aluminium 90° quick release

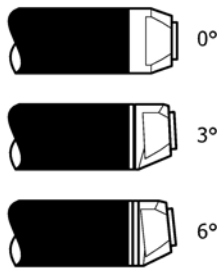


Pos.	Part number	Description	Valid from → until	Qty
i	-	A special footrest is necessary. See page: Footrest for quick release frame		0
1	1567247-0122	Quick release frames 90° short, pair, golden beach	2013-01-01 → 2014-12-31	1
1	1567247-0184	Quick release frames 90° short, pair, mercury blue	2015-01-01 →	1
1	1567247-0185	Quick release frames 90° short, pair, dynamite orange	2015-01-01 →	1
1	1567247-0410	Quick release frames 90° short, pair, polished		1
1	1567247-0411	Quick release frames 90° short, pair, black matt		1
1	1567247-0445	Quick release frames 90° short, pair, ivory white		1
1	1567247-0451	Quick release frames 90° short, pair, flashy yellow		1
1	1567247-3524	Quick release frames 90° short, pair, royal red		1
1	1567247-5969	Quick release frames 90° short, pair, royal blue		1
2	1567248-0122	Quick release frames 90° medium, pair, golden beach	2013-01-01 → 2014-12-31	1
2	1567248-0184	Quick release frames 90° medium, pair, mercury blue	2015-01-01 →	1
2	1567248-0185	Quick release frames 90° medium, pair, dynamite orange	2015-01-01 →	1
2	1567248-0410	Quick release frames 90° medium, pair, polished		1
2	1567248-0411	Quick release frames 90° medium, pair, black matt		1
2	1567248-0445	Quick release frames 90° medium, pair, ivory white		1
2	1567248-0451	Quick release frames 90° medium, pair, flashy yellow		1
2	1567248-3524	Quick release frames 90° medium, pair, royal red		1
2	1567248-5969	Quick release frames 90° medium, pair, royal blue		1
3	1567249-0122	Quick release frames 90° long, pair, golden beach	2013-01-01 → 2014-12-31	1
3	1567249-0184	Quick release frames 90° long, pair, mercury blue	2015-01-01 →	1
3	1567249-0185	Quick release frames 90° long, pair, dynamite orange	2015-01-01 →	1
3	1567249-0410	Quick release frames 90° long, pair, polished		1
3	1567249-0411	Quick release frames 90° long, pair, black matt		1
3	1567249-0445	Quick release frames 90° long, pair, ivory white		1
3	1567249-0451	Quick release frames 90° long, pair, flashy yellow		1
3	1567249-3524	Quick release frames 90° long, pair, royal red		1
3	1567249-5969	Quick release frames 90° long, pair, royal blue		1

**Frame Aluminium 90° quick release**

Pos.	Part number	Description	Valid from → until	Qty
4	1567250	Kit coupling female for quick release frames, complete, pair		1
5	1567251	Fixation kit seat module, coupling female for quick release frames, pair		1
6	1567252	Spring for quick release frames, pair		1
7	1567320	Sleeve for quick release frames, pair		1
8	1567321	Coupling female for quick release frames, pair		1
9	1567322	Levers complete quick release frames, pair		1
10	1529372	Front frame protectors, pair		1

# Axle tube Aluminium

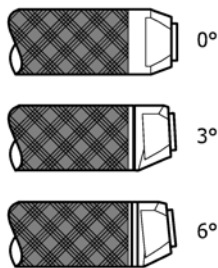
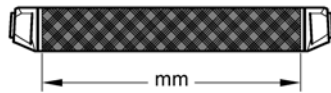


	In combination with:			SB34	SB36	SB38	SB40	SB42	SB44	SB46
0°	✓	✓	✓	1	2	3	4	5	6	7
3°	✓	✗	✓	9	10	11	12	13	14	15
	✗	✓	✓	10	11	12	13	14	15	16
6°	✓	✗	✓	18	19	20	21	22	23	24
	✗	✓	✓	19	20	21	22	23	24	25

	In combination with:				SB34	SB36	SB38	SB40	SB42	SB44	SB46
0°	✓	✓	✓	0°/Vario	1	2	3	4	5	6	7
	✓	✗	✓	3°	1	2	3	4	5	6	7
	✗	✓	✓	3°	2	3	4	5	6	7	8
3°	✓	✗	✓	0°/3°/Vario	9	10	11	12	13	14	15
	✗	✓	✓	0°/3°/Vario	10	11	12	13	14	15	16
	✓	✗	✓	6°	10	11	12	13	14	15	16
	✗	✓	✓	6°	11	12	13	14	15	16	17
	✓	✗	✓	3°/6°	18	19	20	21	22	23	24
6°	✗	✓	✓	3°/6°	19	20	21	22	23	24	25

Pos.	Part number	Description	Valid from → until	Qty
1	1545827	Axle tube Aluminium 0° complete, 318mm		1
2	1545828	Axle tube Aluminium 0° complete, 338mm		1
3	1545829	Axle tube Aluminium 0° complete, 358mm		1
4	1545830	Axle tube Aluminium 0° complete, 378mm		1
5	1545831	Axle tube Aluminium 0° complete, 398mm		1
6	1545832	Axle tube Aluminium 0° complete, 418mm		1
7	1545833	Axle tube Aluminium 0° complete, 438mm		1
8	1545834	Axle tube Aluminium 0° complete, 458mm		1
9	1545836	Axle tube Aluminium 3° complete, 324mm		1
10	1545837	Axle tube Aluminium 3° complete, 344mm		1
11	1545838	Axle tube Aluminium 3° complete, 364mm		1
12	1545839	Axle tube Aluminium 3° complete, 384mm		1
13	1545840	Axle tube Aluminium 3° complete, 404mm		1
14	1545841	Axle tube Aluminium 3° complete, 424mm		1
15	1545842	Axle tube Aluminium 3° complete, 444mm		1
16	1545843	Axle tube Aluminium 3° complete, 464mm		1
17	1545844	Axle tube Aluminium 3° complete, 484mm		1
18	1545846	Axle tube Aluminium 6° complete, 354mm		1
19	1545847	Axle tube Aluminium 6° complete, 374mm		1
20	1545848	Axle tube Aluminium 6° complete, 394mm		1
21	1545849	Axle tube Aluminium 6° complete, 414mm		1
22	1545850	Axle tube Aluminium 6° complete, 434mm		1
23	1545851	Axle tube Aluminium 6° complete, 454mm		1
24	1545852	Axle tube Aluminium 6° complete, 474mm		1
25	1545853	Axle tube Aluminium 6° complete, 494mm		1

# Axle tube Carbon

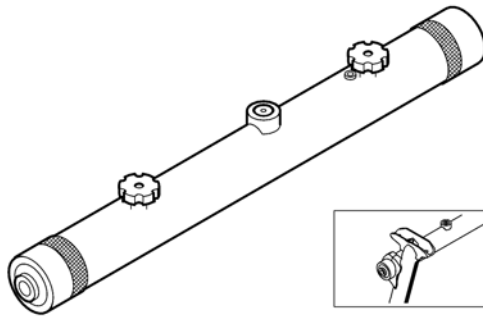


	In combination with:			SB34	SB36	SB38	SB40	SB42	SB44	SB46
0°	✓	✓	✓	1	2	3	4	5	6	7
3°	✓	✗	✓	9	10	11	12	13	14	15
	✗	✓	✓	10	11	12	13	14	15	16
6°	✓	✗	✓	18	19	20	21	22	23	24
	✗	✓	✓	19	20	21	22	23	24	25

	In combination with:				SB34	SB36	SB38	SB40	SB42	SB44	SB46
0°	✓	✓	0°/Vario	✓	1	2	3	4	5	6	7
	✓	✗	3°	✓	1	2	3	4	5	6	7
	✗	✓	3°	✓	2	3	4	5	6	7	8
3°	✓	✗	0°/3°/Vario	✓	9	10	11	12	13	14	15
	✗	✓	0°/3°/Vario	✓	10	11	12	13	14	15	16
	✓	✗	6°	✓	10	11	12	13	14	15	16
	✗	✓	6°	✓	11	12	13	14	15	16	17
	✓	✗	3°/6°	✓	18	19	20	21	22	23	24
6°	✗	✓	3°/6°	✓	19	20	21	22	23	24	25

Pos.	Part number	Description	Valid from → until	Qty
1	1507565	Axle tube Carbon 0° complete, 318mm		1
2	1507566	Axle tube Carbon 0° complete, 338mm		1
3	1507567	Axle tube Carbon 0° complete, 358mm		1
4	1507568	Axle tube Carbon 0° complete, 378mm		1
5	1507569	Axle tube Carbon 0° complete, 398mm		1
6	1507570	Axle tube Carbon 0° complete, 418mm		1
7	1507571	Axle tube Carbon 0° complete, 438mm		1
8	1507572	Axle tube Carbon 0° complete, 458mm		1
9	1507575	Axle tube Carbon 3° complete, 324mm		1
10	1507576	Axle tube Carbon 3° complete, 344mm		1
11	1507577	Axle tube Carbon 3° complete, 364mm		1
12	1507578	Axle tube Carbon 3° complete, 384mm		1
13	1507579	Axle tube Carbon 3° complete, 404mm		1
14	1507580	Axle tube Carbon 3° complete, 424mm		1
15	1507581	Axle tube Carbon 3° complete, 444mm		1
16	1507582	Axle tube Carbon 3° complete, 464mm		1
17	1507583	Axle tube Carbon 3° complete, 484mm		1
18	1507585	Axle tube Carbon 6° complete, 354mm		1
19	1507586	Axle tube Carbon 6° complete, 374mm		1
20	1507587	Axle tube Carbon 6° complete, 394mm		1
21	1507588	Axle tube Carbon 6° complete, 414mm		1
22	1507589	Axle tube Carbon 6° complete, 434mm		1
23	1507590	Axle tube Carbon 6° complete, 454mm		1
24	1507591	Axle tube Carbon 6° complete, 474mm		1
25	1507592	Axle tube Carbon 6° complete, 494mm		1

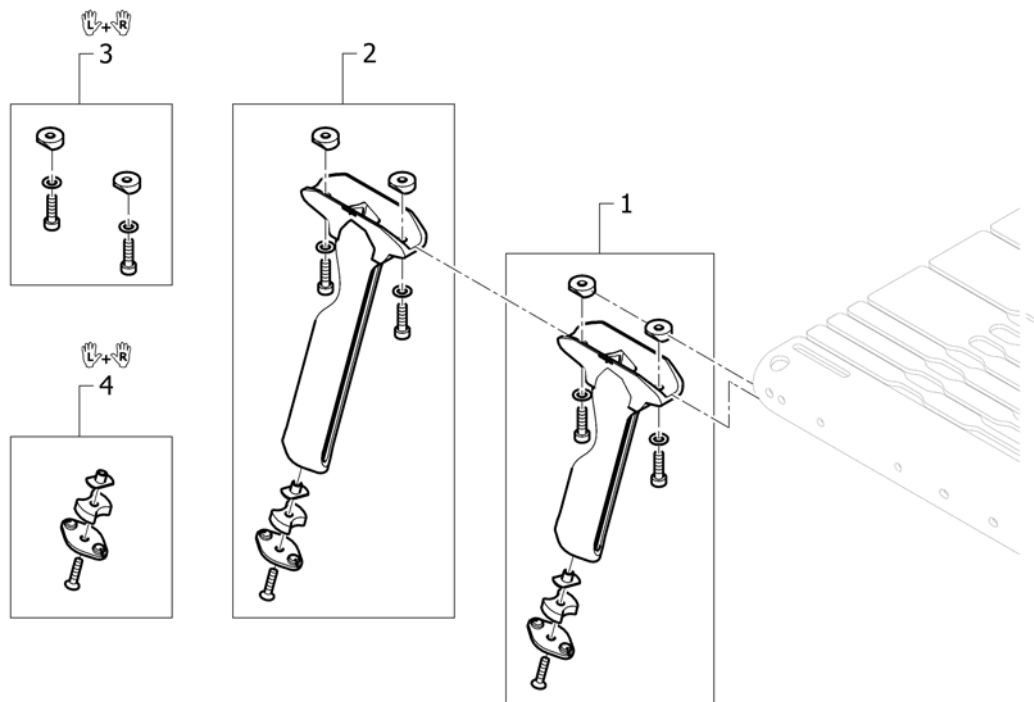
# Vario-Ax



	In combination with:								
				SB34	SB36	SB38	SB40	SB42	SB44
✓	✓		1	2	3	4	5	6	7

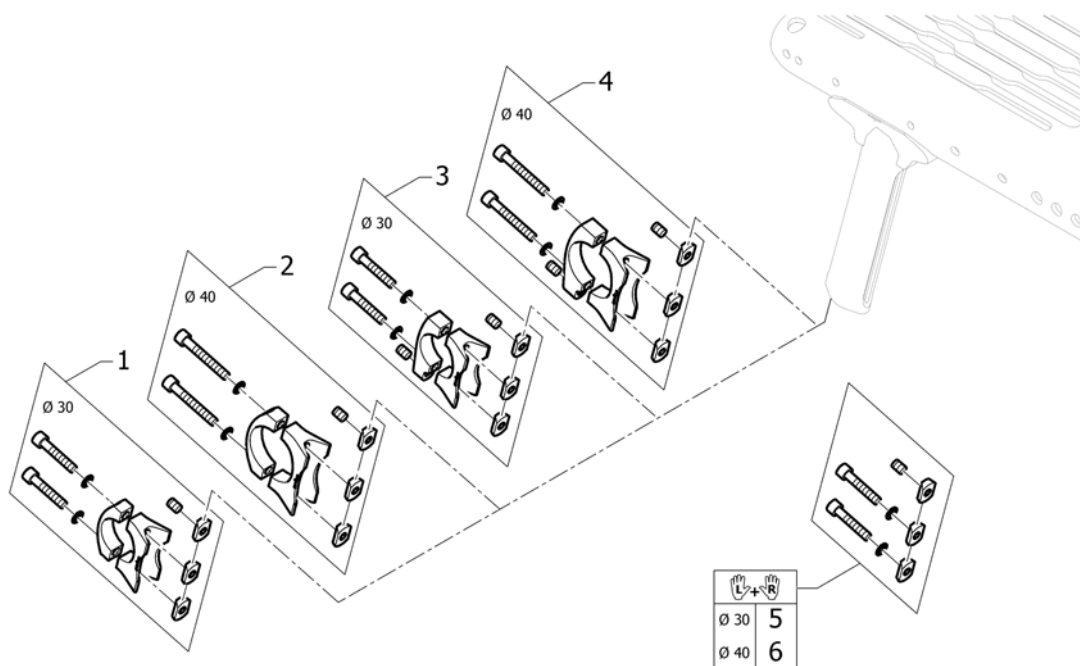
	In combination with:									
				SB34	SB36	SB38	SB40	SB42	SB44	SB46
	✓	✓	0°/Vario	1	2	3	4	5	6	7
	✓	✗	3°	1	2	3	4	5	6	7
✗	✓	3°	2	3	4	5	6	7	8	

Pos.	Part number	Description	Valid from → until	Qty
1	1507611	Vario-Ax complete 355mm		1
2	1507612	Vario-Ax complete 375mm		1
3	1507613	Vario-Ax complete 395mm		1
4	1507615	Vario-Ax complete 415mm		1
5	1507616	Vario-Ax complete 435mm		1
6	1507617	Vario-Ax complete 455mm		1
7	1507619	Vario-Ax complete 475mm		1
8	1507620	Vario-Ax complete 495mm		1

**Vertical brace**

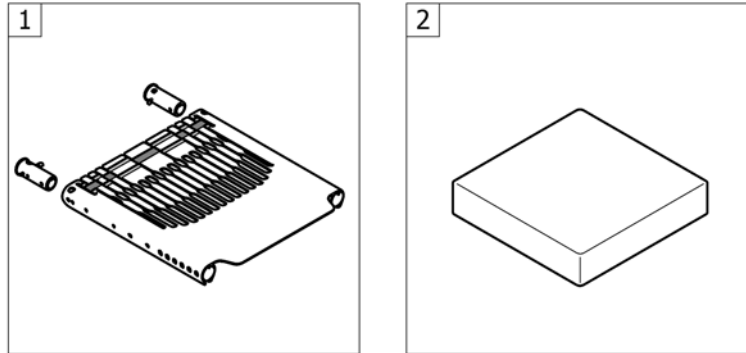
Pos.	Part number	Description	Valid from → until	Qty
1	1560220	Vertical brace, short, complete		2
2	1560221	Vertical brace, long, complete		2
3	1560222	Fixation kit vertical brace, pair		1
4	1560223	Vertical brace, plug, pair		1

# Axle holder



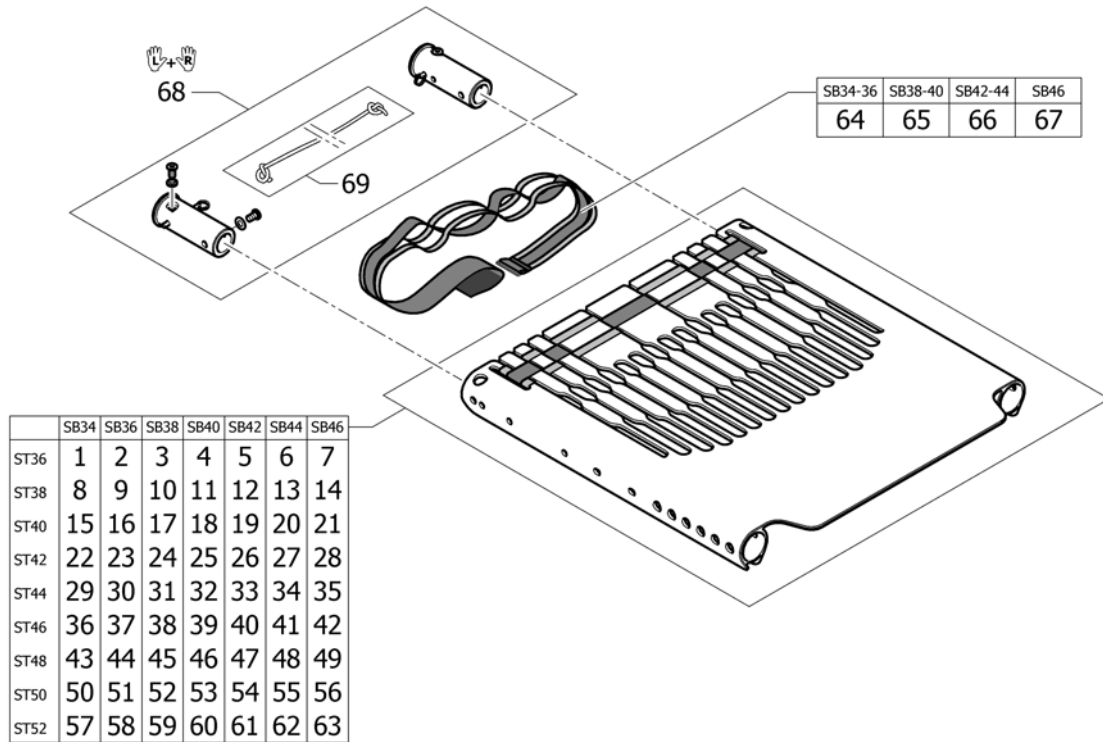
Pos.	Part number	Description	Valid from → until	Qty
1	1560224	Axle holder complete Ø30		2
2	1560225	Axle holder complete Ø40		2
3	SP1589948	Axle holder for Adaptations complete, Ø30 <i>Used for Antitipper or for Transit wheels</i>		2
4	SP1589949	Axle holder for Adaptations complete, Ø40 <i>Used for Antitipper or for Transit wheels</i>		2
5	1560226	Fixation kit to axle holder Ø30, pair		1
6	1560227	Fixation kit to axle holder Ø40, pair		1





Pos.	Part number	Description	Valid from → until	Qty
1	-	Seat module		1
2	-	Seat cushion standard		1

# Seat module

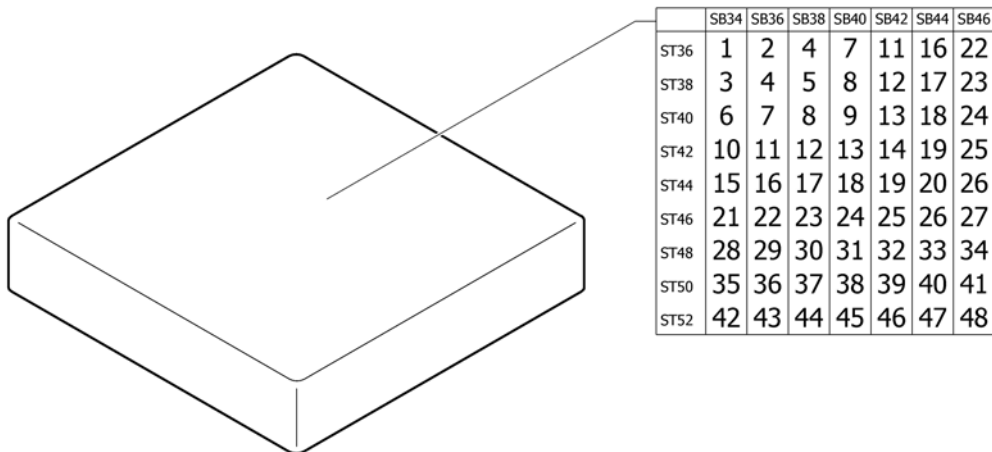


Pos.	Part number	Description	Valid from → until	Qty
1	1560237	Seat module SB34 ST36 with tension strap		1
2	1560246	Seat module SB36 ST36 with tension strap		1
3	1560255	Seat module SB38 ST36 with tension strap		1
4	1560264	Seat module SB40 ST36 with tension strap		1
5	1560273	Seat module SB42 ST36 with tension strap		1
6	1560282	Seat module SB44 ST36 with tension strap		1
7	1560291	Seat module SB46 ST36 with tension strap		1
8	1560238	Seat module SB34 ST38 with tension strap		1
9	1560247	Seat module SB36 ST38 with tension strap		1
10	1560256	Seat module SB38 ST38 with tension strap		1
11	1560265	Seat module SB40 ST38 with tension strap		1
12	1560274	Seat module SB42 ST38 with tension strap		1
13	1560283	Seat module SB44 ST38 with tension strap		1
14	1560292	Seat module SB46 ST38 with tension strap		1
15	1560239	Seat module SB34 ST40 with tension strap		1
16	1560248	Seat module SB36 ST40 with tension strap		1
17	1560257	Seat module SB38 ST40 with tension strap		1
18	1560266	Seat module SB40 ST40 with tension strap		1
19	1560275	Seat module SB42 ST40 with tension strap		1
20	1560284	Seat module SB44 ST40 with tension strap		1
21	1560500	Seat module SB46 ST40 with tension strap		1
22	1560240	Seat module SB34 ST42 with tension strap		1
23	1560249	Seat module SB36 ST42 with tension strap		1
24	1560258	Seat module SB38 ST42 with tension strap		1
25	1560267	Seat module SB40 ST42 with tension strap		1
26	1560276	Seat module SB42 ST42 with tension strap		1
27	1560285	Seat module SB44 ST42 with tension strap		1
28	1560501	Seat module SB46 ST42 with tension strap		1
29	1560241	Seat module SB34 ST44 with tension strap		1
30	1560250	Seat module SB36 ST44 with tension strap		1
31	1560259	Seat module SB38 ST44 with tension strap		1

**Seat module**

Pos.	Part number	Description	Valid from → until	Qty
32	1560268	Seat module SB40 ST44 with tension strap		1
33	1560277	Seat module SB42 ST44 with tension strap		1
34	1560286	Seat module SB44 ST44 with tension strap		1
35	1560502	Seat module SB46 ST44 with tension strap		1
36	1560242	Seat module SB34 ST46 with tension strap		1
37	1560251	Seat module SB36 ST46 with tension strap		1
38	1560260	Seat module SB38 ST46 with tension strap		1
39	1560269	Seat module SB40 ST46 with tension strap		1
40	1560278	Seat module SB42 ST46 with tension strap		1
41	1560287	Seat module SB44 ST46 with tension strap		1
42	1560503	Seat module SB46 ST46 with tension strap		1
43	1560243	Seat module SB34 ST48 with tension strap		1
44	1560252	Seat module SB36 ST48 with tension strap		1
45	1560261	Seat module SB38 ST48 with tension strap		1
46	1560270	Seat module SB40 ST48 with tension strap		1
47	1560279	Seat module SB42 ST48 with tension strap		1
48	1560288	Seat module SB44 ST48 with tension strap		1
49	1560504	Seat module SB46 ST48 with tension strap		1
50	1560244	Seat module SB34 ST50 with tension strap		1
51	1560253	Seat module SB36 ST50 with tension strap		1
52	1560262	Seat module SB38 ST50 with tension strap		1
53	1560271	Seat module SB40 ST50 with tension strap		1
54	1560280	Seat module SB42 ST50 with tension strap		1
55	1560289	Seat module SB44 ST50 with tension strap		1
56	1560505	Seat module SB46 ST50 with tension strap		1
57	1560245	Seat module SB34 ST52 with tension strap		1
58	1560254	Seat module SB36 ST52 with tension strap		1
59	1560263	Seat module SB38 ST52 with tension strap		1
60	1560272	Seat module SB40 ST52 with tension strap		1
61	1560281	Seat module SB42 ST52 with tension strap		1
62	1560290	Seat module SB44 ST52 with tension strap		1
63	1560506	Seat module SB46 ST52 with tension strap		1
64	1560525	Tension strap 740mm for seat module		1
65	1560526	Tension strap 840mm for seat module		1
66	1560527	Tension strap 940mm for seat module		1
67	1560528	Tension strap 1060mm for seat module		1
68	1560529	Backrest-Bolt Set, pair		1
69	1554427	Cord for backrest foldable		1

# Seat cushion standard

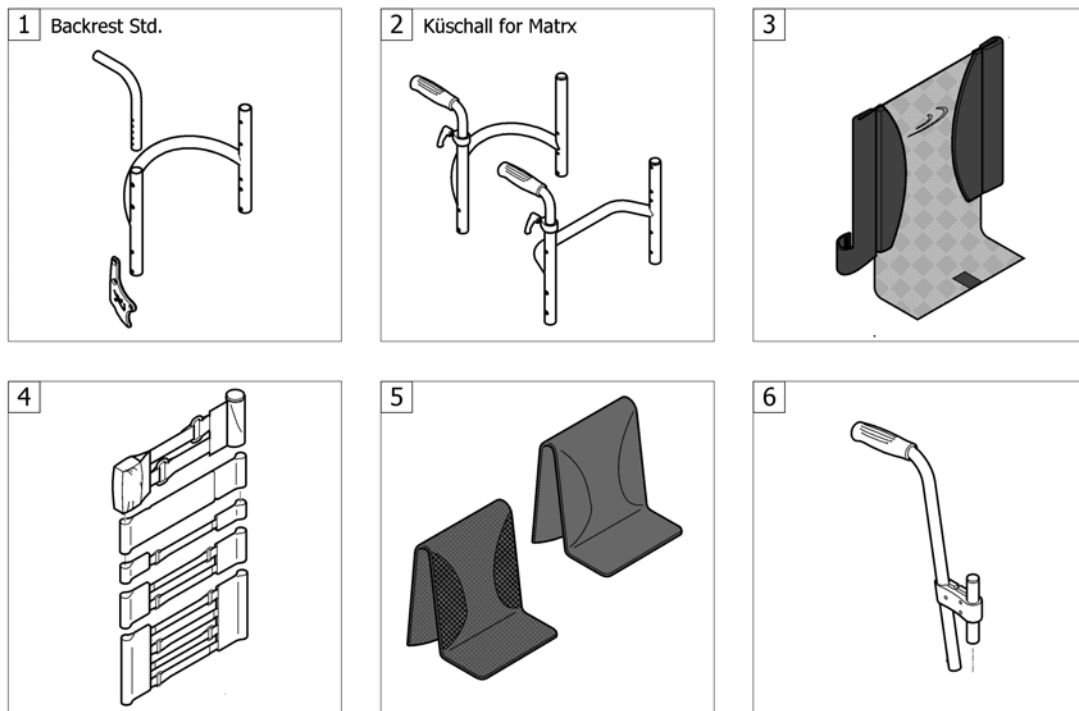


Pos.	Part number	Description	Valid from → until	Qty
1	1556326	Seat cushion 340mm x 360mm		1
2	1556335	Seat cushion 360mm x 360mm		1
3	1556327	Seat cushion 340mm x 380mm		1
4	1556336	Seat cushion 360mm x 380mm		1
5	1556344	Seat cushion 380mm x 380mm		1
6	1556328	Seat cushion 340mm x 400mm		1
7	1556337	Seat cushion 360mm x 400mm		1
8	1556345	Seat cushion 380mm x 400mm		1
9	1556352	Seat cushion 400mm x 400mm		1
10	1556329	Seat cushion 340mm x 420mm		1
11	1556338	Seat cushion 360mm x 420mm		1
12	1556346	Seat cushion 380mm x 420mm		1
13	1556353	Seat cushion 400mm x 420mm		1
14	1556359	Seat cushion 420mm x 420mm		1
15	1556330	Seat cushion 340mm x 440mm		1
16	1556339	Seat cushion 360mm x 440mm		1
17	1556347	Seat cushion 380mm x 440mm		1
18	1556354	Seat cushion 400mm x 440mm		1
19	1556360	Seat cushion 420mm x 440mm		1
20	1556365	Seat cushion 440mm x 440mm		1
21	1556331	Seat cushion 340mm x 460mm		1
22	1556340	Seat cushion 360mm x 460mm		1
23	1556348	Seat cushion 380mm x 460mm		1
24	1556355	Seat cushion 400mm x 460mm		1
25	1556361	Seat cushion 420mm x 460mm		1
26	1556366	Seat cushion 440mm x 460mm		1
27	1556370	Seat cushion 460mm x 460mm		1
28	1556332	Seat cushion 340mm x 480mm		1
29	1556341	Seat cushion 360mm x 480mm		1
30	1556349	Seat cushion 380mm x 480mm		1
31	1556356	Seat cushion 400mm x 480mm		1

**Seat cushion standard**

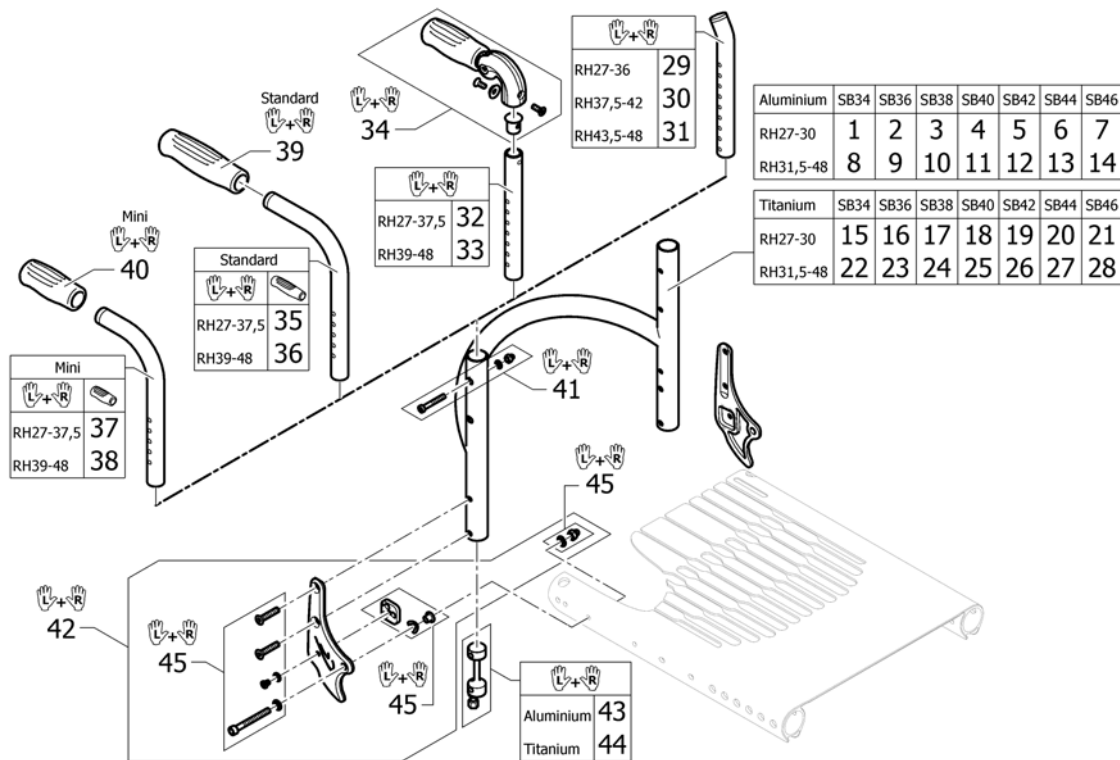
Pos.	Part number	Description	Valid from → until	Qty
32	1556362	Seat cushion 420mm x 480mm		1
33	1556367	Seat cushion 440mm x 480mm		1
34	1556371	Seat cushion 460mm x 480mm		1
35	1556333	Seat cushion 340mm x 500mm		1
36	1556342	Seat cushion 360mm x 500mm		1
37	1556350	Seat cushion 380mm x 500mm		1
38	1556357	Seat cushion 400mm x 500mm		1
39	1556363	Seat cushion 420mm x 500mm		1
40	1556368	Seat cushion 440mm x 500mm		1
41	1556372	Seat cushion 460mm x 500mm		1
42	1556334	Seat cushion 340mm x 520mm		1
43	1556343	Seat cushion 360mm x 520mm		1
44	1556351	Seat cushion 380mm x 520mm		1
45	1556358	Seat cushion 400mm x 520mm		1
46	1556364	Seat cushion 420mm x 520mm		1
47	1556369	Seat cushion 440mm x 520mm		1
48	1556373	Seat cushion 460mm x 520mm		1

# BACKREST



Pos.	Part number	Description	Valid from → until	Qty
1	-	Backrest standard		1
2	-	Küschall backrest parts for Matrix backs		1
3	-	Backrest cover light		1
4	-	Bands to adjustable backrest		1
5	-	Cover to adjustable backrest		1
6	-	Push handles, height adjustable, rear set		1

## Backrest standard



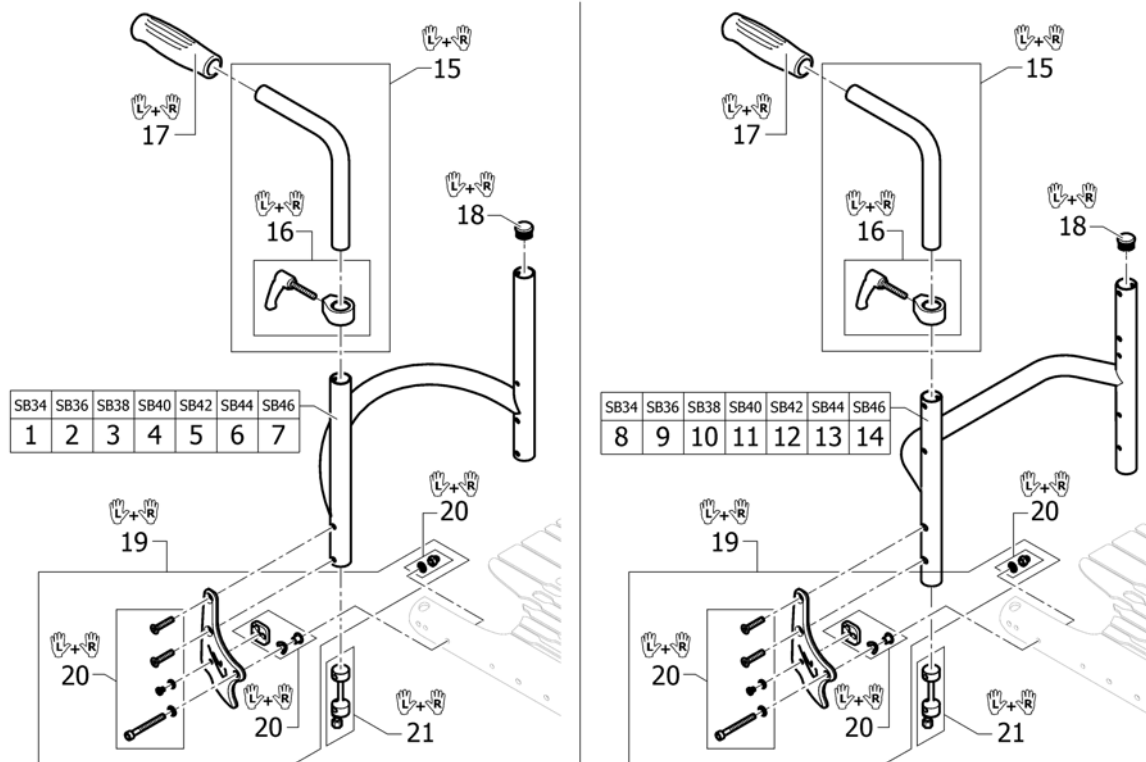
Pos.	Part number	Description	Valid from → until	Qty
1	1546694	Backrest tube Alu SB34 short		1
2	1546695	Backrest tube Alu SB36 short		1
3	1546696	Backrest tube Alu SB38 short		1
4	1546697	Backrest tube Alu SB40 short		1
5	1546698	Backrest tube Alu SB42 short		1
6	1546699	Backrest tube Alu SB44 short		1
7	1546700	Backrest tube Alu SB46 short		1
8	1546702	Backrest tube Alu SB34 Long		1
9	1546739	Backrest tube Alu SB36 Long		1
10	1546740	Backrest tube Alu SB38 Long		1
11	1546741	Backrest tube Alu SB40 Long		1
12	1546806	Backrest tube Alu SB42 Long		1
13	1546807	Backrest tube Alu SB44 Long		1
14	1546808	Backrest tube Alu SB46 Long		1
15	1546810	Backrest tube Titan SB34 short		1
16	1546811	Backrest tube Titan SB36 short		1
17	1546812	Backrest tube Titan SB38 short		1
18	1546813	Backrest tube Titan SB40 short		1
19	1546814	Backrest tube Titan SB42 short		1
20	1546815	Backrest tube Titan SB44 short		1
21	1546816	Backrest tube Titan SB46 short		1
22	1546818	Backrest tube Titan SB34 Long		1
23	1546819	Backrest tube Titan SB36 Long		1
24	1546820	Backrest tube Titan SB38 Long		1
25	1546821	Backrest tube Titan SB40 Long		1
26	1546822	Backrest tube Titan SB42 Long		1
27	1546823	Backrest tube Titan SB44 Long		1
28	1546824	Backrest tube Titan SB46 Long		1
29	1546913	Telescopic back tube standard short, pair		1
30	1546914	Telescopic back tube standard medium, pair		1
31	1546946	Telescopic back tube standard long, pair		1

**Backrest standard**

Pos.	Part number	Description	Valid from → until	Qty
32	1524956	Telescopic tube short for pushhandle foldable, pair		1
33	1525121	Telescopic tube medium for pushhandle foldable, pair		1
34	1507733	Push handles foldable, pair		1
35	1525122	Backrest tube standard, short, pair		1
36	1525123	Backrest tube standard, long, pair		1
37	1525124	Backrest tube mini, short, pair		1
38	1525125	Backrest tube mini, long, pair		1
39	1507734	Handle black, pair		1
40	1525126	Handle black, mini, pair		1
41	1546947	Screw kit for backrest tube		1
42	1560881-0001	Backrest joint plate, pair, chrome	2015-01-01 →	1
42	1560881-0004	Backrest joint plate, pair, black	2015-01-01 →	1
42	1560881-0013	Backrest joint plate, pair, dark grey	2012-05-14 → 2014-12-31	1
42	1560881-0182	Backrest joint plate, pair, champagne	2015-01-01 →	1
42	1560881-0400	Backrest joint plate, pair, techno-anthrazit	2015-01-01 →	1
42	1560881-0440	Backrest joint plate, pair, comet red	2015-01-01 →	1
42	1560881-0441	Backrest joint plate, pair, arctic blue	2015-01-01 →	1
43	1546948	Sleeves for backrest tube alu, pair complete		1
44	1546949	Sleeves for backrest tube Titan, pair complete		1
45	1560913	Fixation kit to backrest joint		1

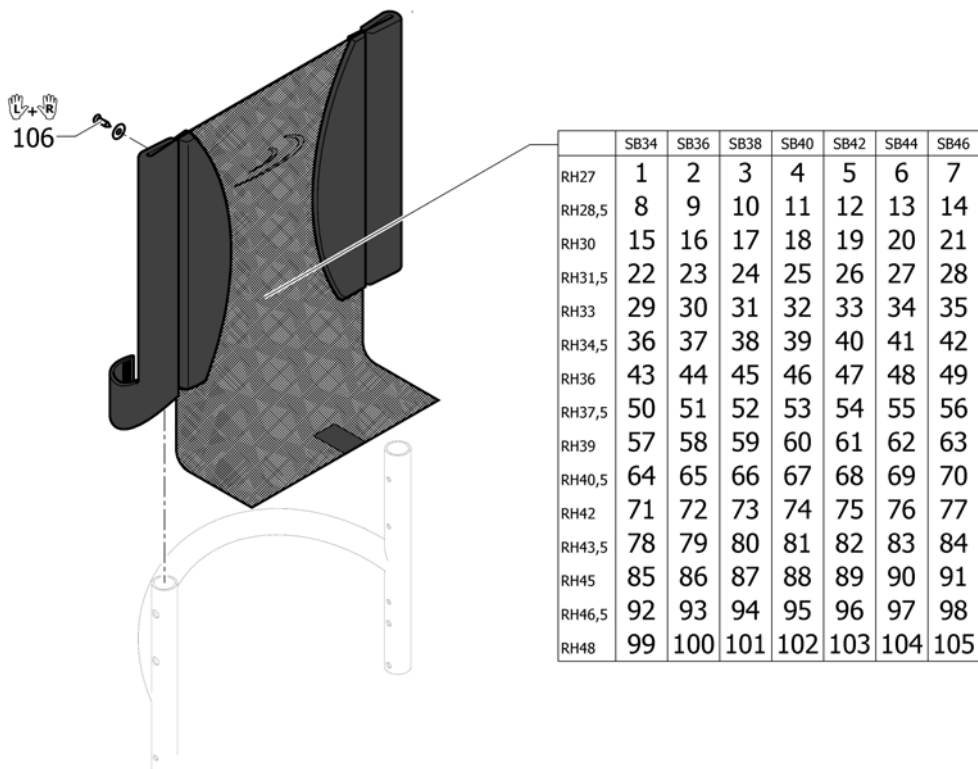


## Küschall backrest parts for Matrix backs



Pos.	Part number	Description	Valid from → until	Qty
1	1560914	Backrest SB34 for fixed backrest		1
2	1561012	Backrest SB36 for fixed backrest		1
3	1561013	Backrest SB38 for fixed backrest		1
4	1561014	Backrest SB40 for fixed backrest		1
5	1561015	Backrest SB42 for fixed backrest		1
6	1561016	Backrest SB44 for fixed backrest		1
7	1561017	Backrest SB46 for fixed backrest		1
8	1582698	Straight bar backrest tube Alu SB34 Long	2016-01-01 →	1
9	1582699	Straight bar backrest tube Alu SB36 Long	2016-01-01 →	1
10	1582700	Straight bar backrest tube Alu SB38 Long	2016-01-01 →	1
11	1582701	Straight bar backrest tube Alu SB40 Long	2016-01-01 →	1
12	1582702	Straight bar backrest tube Alu SB42 Long	2016-01-01 →	1
13	1582703	Straight bar backrest tube Alu SB44 Long	2016-01-01 →	1
14	1582704	Straight bar backrest tube Alu SB46 Long	2016-01-01 →	1
15	1438203	Height adjustable, integrated push handles standard, kit short UL/C04		1
16	1549985	Adjusting lever for height adjustable, integrated push handles, pair		1
17	1507734	Handle black, pair		1
18	1561018	Tube plug Ø24mm, pair		1
19	1560881-0001	Backrest joint plate, pair, chrome	2015-01-01 →	1
19	1560881-0004	Backrest joint plate, pair, black	2015-01-01 →	1
19	1560881-0013	Backrest joint plate, pair, dark grey	2012-05-14 → 2014-12-31	1
19	1560881-0182	Backrest joint plate, pair, champagne	2015-01-01 →	1
19	1560881-0400	Backrest joint plate, pair, techno-anthrazit	2015-01-01 →	1
19	1560881-0440	Backrest joint plate, pair, comet red	2015-01-01 →	1
19	1560881-0441	Backrest joint plate, pair, arctic blue	2015-01-01 →	1
20	1560913	Fixation kit to backrest joint		1
21	1546948	Sleeves for backrest tube alu, pair complete		1

# Backrest cover light



Pos.	Part number	Description	Valid from → until	Qty
1	1546952	Backrest cover light SB34 RH27		1
2	1546992	Backrest cover light SB36 RH27		1
3	1547007	Backrest cover light SB38 RH27		1
4	1547033	Backrest cover light SB40 RH27		1
5	1547093	Backrest cover light SB42 RH27		1
6	1547108	Backrest cover light SB44 RH27		1
7	1547123	Backrest cover light SB46 RH27		1
8	1546953	Backrest cover light SB34 RH28,5		1
9	1546993	Backrest cover light SB36 RH28,5		1
10	1547008	Backrest cover light SB38 RH28,5		1
11	1547034	Backrest cover light SB40 RH28,5		1
12	1547094	Backrest cover light SB42 RH28,5		1
13	1547109	Backrest cover light SB44 RH28,5		1
14	1547124	Backrest cover light SB46 RH28,5		1
15	1546954	Backrest cover light SB34 RH30		1
16	1546994	Backrest cover light SB36 RH30		1
17	1547009	Backrest cover light SB38 RH30		1
18	1547035	Backrest cover light SB40 RH30		1
19	1547095	Backrest cover light SB42 RH30		1
20	1547110	Backrest cover light SB44 RH30		1
21	1547125	Backrest cover light SB46 RH30		1
22	1546955	Backrest cover light SB34 RH31,5		1
23	1546995	Backrest cover light SB36 RH31,5		1
24	1547010	Backrest cover light SB38 RH31,5		1
25	1547036	Backrest cover light SB40 RH31,5		1
26	1547096	Backrest cover light SB42 RH31,5		1
27	1547111	Backrest cover light SB44 RH31,5		1
28	1547126	Backrest cover light SB46 RH31,5		1
29	1546956	Backrest cover light SB34 RH33		1
30	1546996	Backrest cover light SB36 RH33		1
31	1547011	Backrest cover light SB38 RH33		1

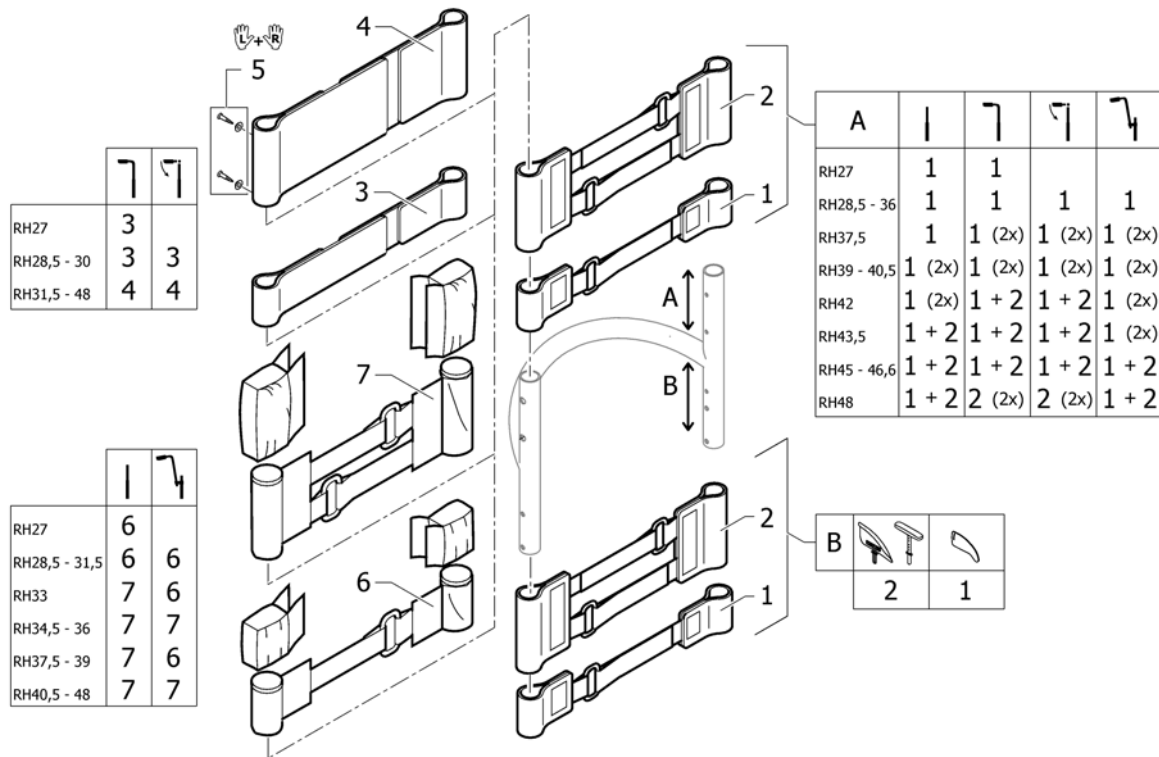
**Backrest cover light**

Pos.	Part number	Description	Valid from → until	Qty
32	1547037	Backrest cover light SB40 RH33		1
33	1547097	Backrest cover light SB42 RH33		1
34	1547112	Backrest cover light SB44 RH33		1
35	1547127	Backrest cover light SB46 RH33		1
36	1546957	Backrest cover light SB34 RH34,5		1
37	1546997	Backrest cover light SB36 RH34,5		1
38	1547012	Backrest cover light SB38 RH34,5		1
39	1547048	Backrest cover light SB40 RH34,5		1
40	1547098	Backrest cover light SB42 RH34,5		1
41	1547113	Backrest cover light SB44 RH34,5		1
42	1547128	Backrest cover light SB46 RH34,5		1
43	1546958	Backrest cover light SB34 RH36		1
44	1546998	Backrest cover light SB36 RH36		1
45	1547013	Backrest cover light SB38 RH36		1
46	1547049	Backrest cover light SB40 RH36		1
47	1547099	Backrest cover light SB42 RH36		1
48	1547114	Backrest cover light SB44 RH36		1
49	1547129	Backrest cover light SB46 RH36		1
50	1546959	Backrest cover light SB34 RH37,5		1
51	1546999	Backrest cover light SB36 RH37,5		1
52	1547014	Backrest cover light SB38 RH37,5		1
53	1547050	Backrest cover light SB40 RH37,5		1
54	1547100	Backrest cover light SB42 RH37,5		1
55	1547115	Backrest cover light SB44 RH37,5		1
56	1547130	Backrest cover light SB46 RH37,5		1
57	1546960	Backrest cover light SB34 RH39		1
58	1547000	Backrest cover light SB36 RH39		1
59	1547015	Backrest cover light SB38 RH39		1
60	1547051	Backrest cover light SB40 RH39		1
61	1547101	Backrest cover light SB42 RH39		1
62	1547116	Backrest cover light SB44 RH39		1
63	1547131	Backrest cover light SB46 RH39		1
64	1546961	Backrest cover light SB34 RH40,5		1
65	1547001	Backrest cover light SB36 RH40,5		1
66	1547016	Backrest cover light SB38 RH40,5		1
67	1547052	Backrest cover light SB40 RH40,5		1
68	1547102	Backrest cover light SB42 RH40,5		1
69	1547117	Backrest cover light SB44 RH40,5		1
70	1547132	Backrest cover light SB46 RH40,5		1
71	1546962	Backrest cover light SB34 RH42		1
72	1547002	Backrest cover light SB36 RH42		1
73	1547028	Backrest cover light SB38 RH42		1
74	1547053	Backrest cover light SB40 RH42		1
75	1547103	Backrest cover light SB42 RH42		1
76	1547118	Backrest cover light SB44 RH42		1
77	1547133	Backrest cover light SB46 RH42		1
78	1546988	Backrest cover light SB34 RH43,5		1
79	1547003	Backrest cover light SB36 RH43,5		1
80	1547029	Backrest cover light SB38 RH43,5		1
81	1547054	Backrest cover light SB40 RH43,5		1
82	1547104	Backrest cover light SB42 RH43,5		1
83	1547119	Backrest cover light SB44 RH43,5		1
84	1547134	Backrest cover light SB46 RH43,5		1
85	1546989	Backrest cover light SB34 RH45		1
86	1547004	Backrest cover light SB36 RH45		1

**Backrest cover light**

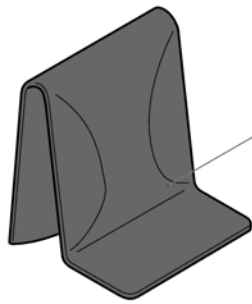
Pos.	Part number	Description	Valid from → until	Qty
87	1547030	Backrest cover light SB38 RH45		1
88	1547055	Backrest cover light SB40 RH45		1
89	1547105	Backrest cover light SB42 RH45		1
90	1547120	Backrest cover light SB44 RH45		1
91	1547135	Backrest cover light SB46 RH45		1
92	1546990	Backrest cover light SB34 RH46,5		1
93	1547005	Backrest cover light SB36 RH46,5		1
94	1547031	Backrest cover light SB38 RH46,5		1
95	1547091	Backrest cover light SB40 RH46,5		1
96	1547106	Backrest cover light SB42 RH46,5		1
97	1547121	Backrest cover light SB44 RH46,5		1
98	1547136	Backrest cover light SB46 RH46,5		1
99	1546991	Backrest cover light SB34 RH48		1
100	1547006	Backrest cover light SB36 RH48		1
101	1547032	Backrest cover light SB38 RH48		1
102	1547092	Backrest cover light SB40 RH48		1
103	1547107	Backrest cover light SB42 RH48		1
104	1547122	Backrest cover light SB44 RH48		1
105	1547137	Backrest cover light SB46 RH48		1
106	1432083	Fixation kit for backrest band		1

## Bands to adjustable backrest

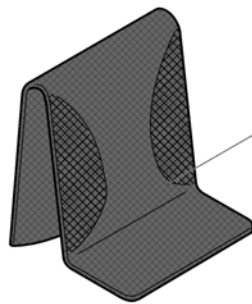


Pos.	Part number	Description	Valid from → until	Qty
1	1513167	Velcro adjustment part with 1 strap, pair		1
2	1513168	Velcro adjustment strap with 2 straps, pair		1
3	1513170	Backrest band 2 parts, width: 5cm		1
4	1513171	Backrest band 2 parts, width: 10cm		1
5	1432083	Fixation kit for backrest band		1
6	1513172	Velcro end part, 5 cm		1
7	1513173	Velcro end part, 10cm		1

## Cover to adjustable backrest



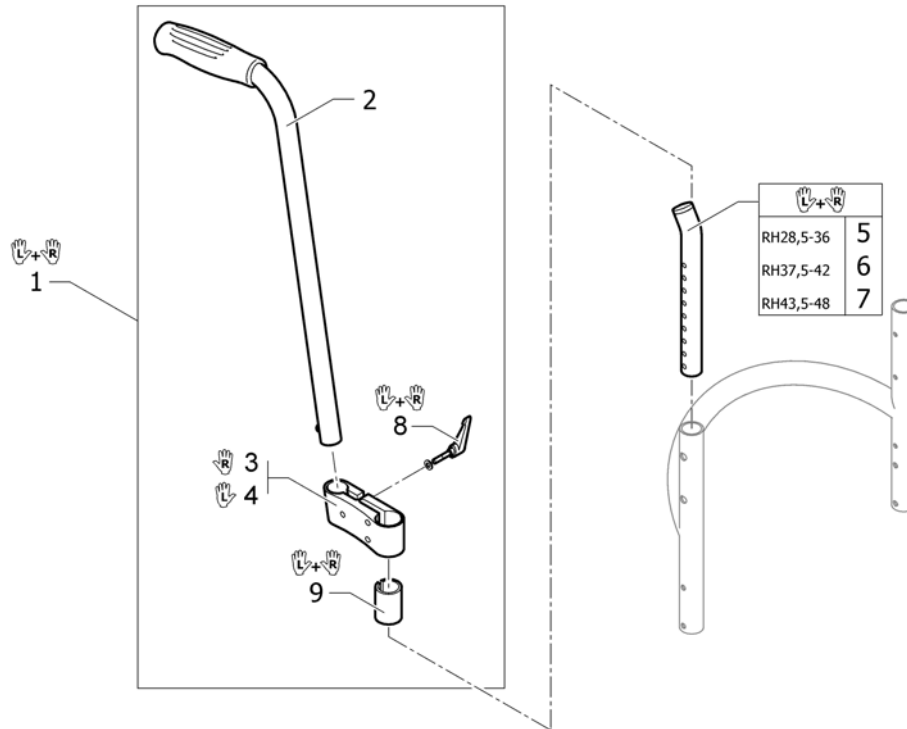
Std. (black premium)	SB32-34	SB36-38	SB40-42	SB44-46
RH27-30	1	2	3	4
RH31,5-36	5	6	7	8
RH37,5-42	9	10	11	12
RH43,5-48	13	14	15	16



AeroBack	SB32-34	SB36-38	SB40-42	SB44-46
RH27-33	17	18	19	20
RH34,5-40,5	21	22	23	24
RH42-48	25	26	27	28

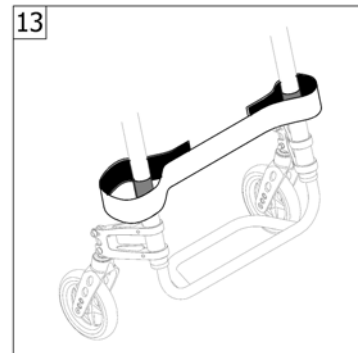
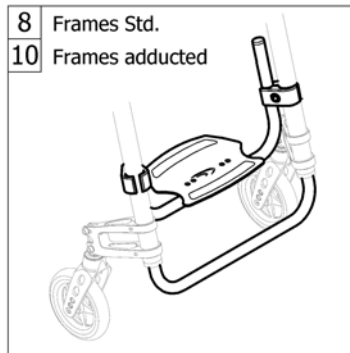
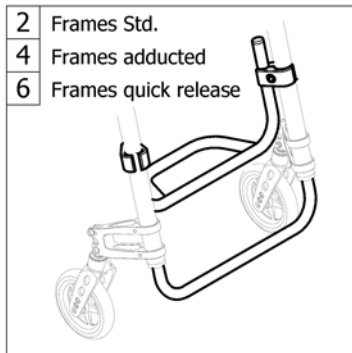
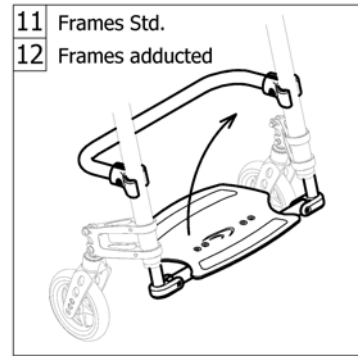
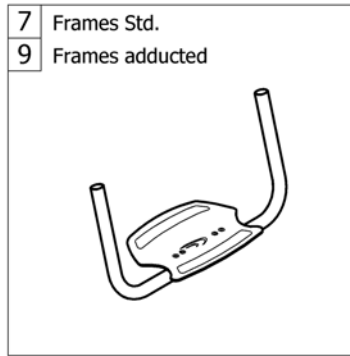
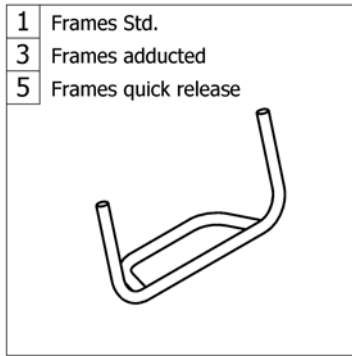
Pos.	Part number	Description	Valid from → until	Qty
1	SP1606369	Cover black premium to adjustable backrest SB32-34 Xshort		1
2	SP1606370	Cover black premium to adjustable backrest SB36-38 Xshort		1
3	SP1606407	Cover black premium to adjustable backrest SB40-42 Xshort		1
4	SP1606408	Cover black premium to adjustable backrest SB44-46 Xshort		1
5	SP1606000	Cover black to adjustable backrest, SB32-34, short		1
6	SP1606001	Cover black to adjustable backrest, SB36-38, short		1
7	SP1606002	Cover black to adjustable backrest, SB40-42, short		1
8	SP1606003	Cover black to adjustable backrest, SB44-46, short		1
9	SP1606006	Cover black to adjustable backrest, SB32-34, medium		1
10	SP1606007	Cover black to adjustable backrest, SB36-38, medium		1
11	SP1606008	Cover black to adjustable backrest, SB40-42, medium		1
12	SP1606009	Cover black to adjustable backrest, SB44-46, medium		1
13	SP1606012	Cover black to adjustable backrest, SB32-34, long		1
14	SP1606013	Cover black to adjustable backrest, SB36-38, long		1
15	SP1606014	Cover black to adjustable backrest, SB40-42, long		1
16	SP1606015	Cover black to adjustable backrest, SB44-46, long		1
17	1512156	Cover 'Aero' to adjustable backrest, SB32-34, short		1
18	1512157	Cover 'Aero' to adjustable backrest, SB36-38, short		1
19	1512158	Cover 'Aero' to adjustable backrest, SB40-42, short		1
20	1512159	Cover 'Aero' to adjustable backrest, SB44-46, short		1
21	1512161	Cover 'Aero' to adjustable backrest, SB32-34, medium		1
22	1512162	Cover 'Aero' to adjustable backrest, SB36-38, medium		1
23	1512163	Cover 'Aero' to adjustable backrest, SB40-42, medium		1
24	1512164	Cover 'Aero' to adjustable backrest, SB44-46, medium		1
25	1512166	Cover 'Aero' to adjustable backrest, SB32-34, long		1
26	1512167	Cover 'Aero' to adjustable backrest, SB36-38, long		1
27	1512168	Cover 'Aero' to adjustable backrest, SB40-42, long		1
28	1512169	Cover 'Aero' to adjustable backrest, SB44-46, long		1

## Push handles, height adjustable, rear set



Pos.	Part number	Description	Valid from → until	Qty
1	1517876	Push handles, height adjustable, rear set, pair		1
2	1438938	Push handle tube complete, rearset		2
3	1438939	Mounting fixture right complete, for rearset push handles		1
4	1438940	Mounting fixture left complete, for rearset push handles		1
5	1546913	Telescopic back tube standard short, pair		1
6	1546914	Telescopic back tube standard medium, pair		1
7	1546946	Telescopic back tube standard long, pair		1
8	1529799	Adjusting lever, pair		1
9	1581293	Sleeves for mounting fixture, for rearset push handles, pair		1

# FOOTREST



Pos.	Part number	Description	Valid from → until	Qty
1	-	Footrest standard		1
2	-	Footrest standard highmounted		1
3	-	Footrest standard for adducted frame		1
4	-	Footrest standard highmounted for adducted frame		1
5	-	Footrest standard for quick release frame	2013-01-01 →	1
6	-	Footrest standard highmounted for quick release frame	2013-01-01 →	1
7	-	Footrest angle adjustable		1
8	-	Footrest angle adjustable highmounted		1
9	-	Footrest angle adjustable for adducted frame		1
10	-	Footrest angle adjustable highmounted for adducted frame		1
11	-	Footrest flip-to-side		1
12	-	Footrest flip-to-side for adducted frame		1
13	-	Calf strap		1



## Footrest standard

Frame standard		SB34	SB36	SB38	SB40	SB42	SB44	SB46
75°	Aluminium	1	2	3	4	5	6	7
	Titanium	8	9	10	11	12	13	14
90°	Aluminium	15	16	17	18	19	20	21
	Titanium	22	23	24	25	26	27	28

SB34	SB36	SB38	SB40	SB42	SB44	SB46
57	58	59	60	61	62	63

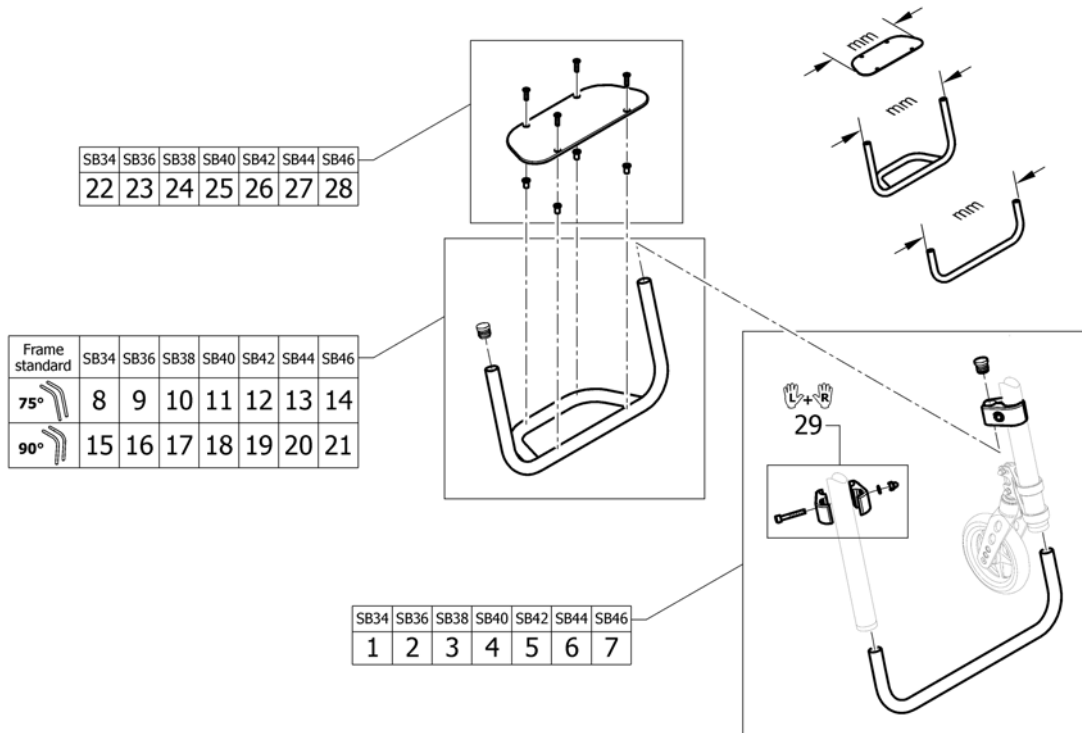
Frame standard		SB34	SB36	SB38	SB40	SB42	SB44	SB46
75°	Aluminium	29	30	31	32	33	34	35
	Titanium	36	37	38	39	40	41	42
90°	Aluminium	43	44	45	46	47	48	49
	Titanium	50	51	52	53	54	55	56

Pos.	Part number	Description	Valid from → until	Qty
1	1561090	Footrest Aluminium 315mm with plate for frame 75°		1
2	1561091	Footrest Aluminium 335mm with plate for frame 75°		1
3	1561092	Footrest Aluminium 355mm with plate for frame 75°		1
4	1561093	Footrest Aluminium 375mm with plate for frame 75°		1
5	1561094	Footrest Aluminium 395mm with plate for frame 75°		1
6	1561095	Footrest Aluminium 415mm with plate for frame 75°		1
7	1561096	Footrest Aluminium 435mm with plate for frame 75°		1
8	1561110	Footrest Titanium 315mm with plate for frame 75°		1
9	1561111	Footrest Titanium 335mm with plate for frame 75°		1
10	1561112	Footrest Titanium 355mm with plate for frame 75°		1
11	1561113	Footrest Titanium 375mm with plate for frame 75°		1
12	1561114	Footrest Titanium 395mm with plate for frame 75°		1
13	1561115	Footrest Titanium 415mm with plate for frame 75°		1
14	1561116	Footrest Titanium 435mm with plate for frame 75°		1
15	1561100	Footrest Aluminium 315mm with plate for frame 90°		1
16	1561101	Footrest Aluminium 335mm with plate for frame 90°		1
17	1561102	Footrest Aluminium 355mm with plate for frame 90°		1
18	1561103	Footrest Aluminium 375mm with plate for frame 90°		1
19	1561104	Footrest Aluminium 395mm with plate for frame 90°		1
20	1561105	Footrest Aluminium 415mm with plate for frame 90°		1
21	1561106	Footrest Aluminium 435mm with plate for frame 90°		1
22	1561120	Footrest Titanium 315mm with plate for frame 90°		1
23	1561121	Footrest Titanium 335mm with plate for frame 90°		1
24	1561122	Footrest Titanium 355mm with plate for frame 90°		1
25	1561123	Footrest Titanium 375mm with plate for frame 90°		1
26	1561124	Footrest Titanium 395mm with plate for frame 90°		1
27	1561125	Footrest Titanium 415mm with plate for frame 90°		1
28	1561126	Footrest Titanium 435mm with plate for frame 90°		1
29	1561031	Footrest Aluminium 315mm for frame 75°		1
30	1561032	Footrest Aluminium 335mm for frame 75°		1
31	1561033	Footrest Aluminium 355mm for frame 75°		1

**Footrest standard**

Pos.	Part number	Description	Valid from → until	Qty
32	1561046	Footrest Aluminium 375mm for frame 75°		1
33	1561047	Footrest Aluminium 395mm for frame 75°		1
34	1561048	Footrest Aluminium 415mm for frame 75°		1
35	1561049	Footrest Aluminium 435mm for frame 75°		1
36	1561063	Footrest Titanium 315mm for frame 75°		1
37	1561064	Footrest Titanium 335mm for frame 75°		1
38	1561065	Footrest Titanium 355mm for frame 75°		1
39	1561066	Footrest Titanium 375mm for frame 75°		1
40	1561067	Footrest Titanium 395mm for frame 75°		1
41	1561068	Footrest Titanium 415mm for frame 75°		1
42	1561069	Footrest Titanium 435mm for frame 75°		1
43	1561053	Footrest Aluminium 315mm for frame 90°		1
44	1561054	Footrest Aluminium 335mm for frame 90°		1
45	1561055	Footrest Aluminium 355mm for frame 90°		1
46	1561056	Footrest Aluminium 375mm for frame 90°		1
47	1561057	Footrest Aluminium 395mm for frame 90°		1
48	1561058	Footrest Aluminium 415mm for frame 90°		1
49	1561059	Footrest Aluminium 435mm for frame 90°		1
50	1561073	Footrest Titanium 315mm for frame 90°		1
51	1561074	Footrest Titanium 335mm for frame 90°		1
52	1561075	Footrest Titanium 355mm for frame 90°		1
53	1561076	Footrest Titanium 375mm for frame 90°		1
54	1561077	Footrest Titanium 395mm for frame 90°		1
55	1561078	Footrest Titanium 415mm for frame 90°		1
56	1561086	Footrest Titanium 435mm for frame 90°		1
57	1561130	Footplate 203mm		1
58	1561131	Footplate 223mm		1
59	1561132	Footplate 243mm		1
60	1561133	Footplate 263mm		1
61	1561134	Footplate 283mm		1
62	1561135	Footplate 303mm		1
63	1561136	Footplate 323mm		1

# Footrest standard highmounted

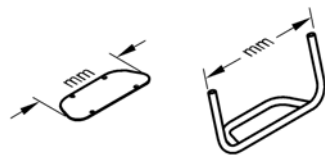


Pos.	Part number	Description	Valid from → until	Qty
1	1561215	Tube set for footrest, mounted in high position, 315mm		1
2	1561216	Tube set for footrest, mounted in high position, 335mm		1
3	1561217	Tube set for footrest, mounted in high position, 355mm		1
4	1561218	Tube set for footrest, mounted in high position, 375mm		1
5	1561219	Tube set for footrest, mounted in high position, 395mm		1
6	1561220	Tube set for footrest, mounted in high position, 415mm		1
7	1561221	Tube set for footrest, mounted in high position, 435mm		1
8	1561224	Footrest Aluminium 295mm for frame 75° for footrest mounted in high position		1
9	1561225	Footrest Aluminium 315mm for frame 75° for footrest mounted in high position		1
10	1561292	Footrest Aluminium 335mm for frame 75° for footrest mounted in high position		1
11	1561293	Footrest Aluminium 355mm for frame 75° for footrest mounted in high position		1
12	1561294	Footrest Aluminium 375mm for frame 75° for footrest mounted in high position		1
13	1561295	Footrest Aluminium 395mm for frame 75° for footrest mounted in high position		1
14	1561296	Footrest Aluminium 415mm for frame 75° for footrest mounted in high position		1
15	1561300	Footrest Aluminium 295mm for frame 90° for footrest mounted in high position		1
16	1561301	Footrest Aluminium 315mm for frame 90° for footrest mounted in high position		1
17	1561302	Footrest Aluminium 335mm for frame 90° for footrest mounted in high position		1
18	1561303	Footrest Aluminium 355mm for frame 90° for footrest mounted in high position		1
19	1561304	Footrest Aluminium 375mm for frame 90° for footrest mounted in high position		1
20	1561305	Footrest Aluminium 395mm for frame 90° for footrest mounted in high position		1
21	1561306	Footrest Aluminium 415mm for frame 90° for footrest mounted in high position		1

**Footrest standard highmounted**

Pos.	Part number	Description	Valid from → until	Qty
22	1561129	Footplate 183mm		1
23	1561130	Footplate 203mm		1
24	1561131	Footplate 223mm		1
25	1561132	Footplate 243mm		1
26	1561133	Footplate 263mm		1
27	1561134	Footplate 283mm		1
28	1561135	Footplate 303mm		1
29	1544613	Clamping kit for footrest high mounted, pair		1

## Footrest standard for adducted frame



Frame adducted		SB34	SB36	SB38	SB40	SB42	SB44	SB46
75°	Aluminium	-	1	2	3	4	5	6
	Titanium	-	7	8	9	10	11	12
90°	Aluminium	-	13	14	15	16	17	18
	Titanium	-	19	20	21	22	23	24

SB34	SB36	SB38	SB40	SB42	SB44	SB46
-	49	50	51	52	53	54

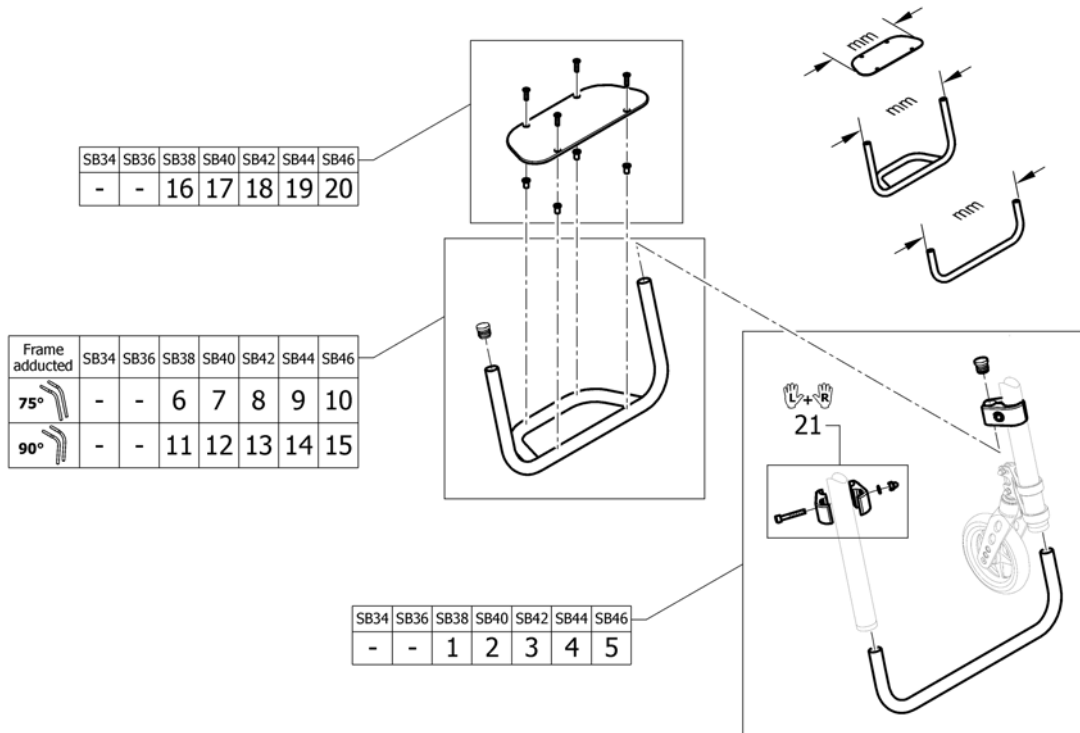
Frame adducted		SB34	SB36	SB38	SB40	SB42	SB44	SB46
75°	Aluminium	-	25	26	27	28	29	30
	Titanium	-	31	32	33	34	35	36
90°	Aluminium	-	37	38	39	40	41	42
	Titanium	-	43	44	45	46	47	48

Pos.	Part number	Description	Valid from → until	Qty
1	1561089	Footrest Aluminium 295mm with plate for frame 75°		1
2	1561090	Footrest Aluminium 315mm with plate for frame 75°		1
3	1561091	Footrest Aluminium 335mm with plate for frame 75°		1
4	1561092	Footrest Aluminium 355mm with plate for frame 75°		1
5	1561093	Footrest Aluminium 375mm with plate for frame 75°		1
6	1561094	Footrest Aluminium 395mm with plate for frame 75°		1
7	1561109	Footrest Titanium 295mm with plate for frame 75°		1
8	1561110	Footrest Titanium 315mm with plate for frame 75°		1
9	1561111	Footrest Titanium 335mm with plate for frame 75°		1
10	1561112	Footrest Titanium 355mm with plate for frame 75°		1
11	1561113	Footrest Titanium 375mm with plate for frame 75°		1
12	1561114	Footrest Titanium 395mm with plate for frame 75°		1
13	1561099	Footrest Aluminium 295mm with plate for frame 90°		1
14	1561100	Footrest Aluminium 315mm with plate for frame 90°		1
15	1561101	Footrest Aluminium 335mm with plate for frame 90°		1
16	1561102	Footrest Aluminium 355mm with plate for frame 90°		1
17	1561103	Footrest Aluminium 375mm with plate for frame 90°		1
18	1561104	Footrest Aluminium 395mm with plate for frame 90°		1
19	1561119	Footrest Titanium 295mm with plate for frame 90°		1
20	1561120	Footrest Titanium 315mm with plate for frame 90°		1
21	1561121	Footrest Titanium 335mm with plate for frame 90°		1
22	1561122	Footrest Titanium 355mm with plate for frame 90°		1
23	1561123	Footrest Titanium 375mm with plate for frame 90°		1
24	1561124	Footrest Titanium 395mm with plate for frame 90°		1
25	1561030	Footrest Aluminium 295mm for frame 75°		1
26	1561031	Footrest Aluminium 315mm for frame 75°		1
27	1561032	Footrest Aluminium 335mm for frame 75°		1
28	1561033	Footrest Aluminium 355mm for frame 75°		1
29	1561046	Footrest Aluminium 375mm for frame 75°		1
30	1561047	Footrest Aluminium 395mm for frame 75°		1
31	1561062	Footrest Titanium 295mm for frame 75°		1

**Footrest standard for adducted frame**

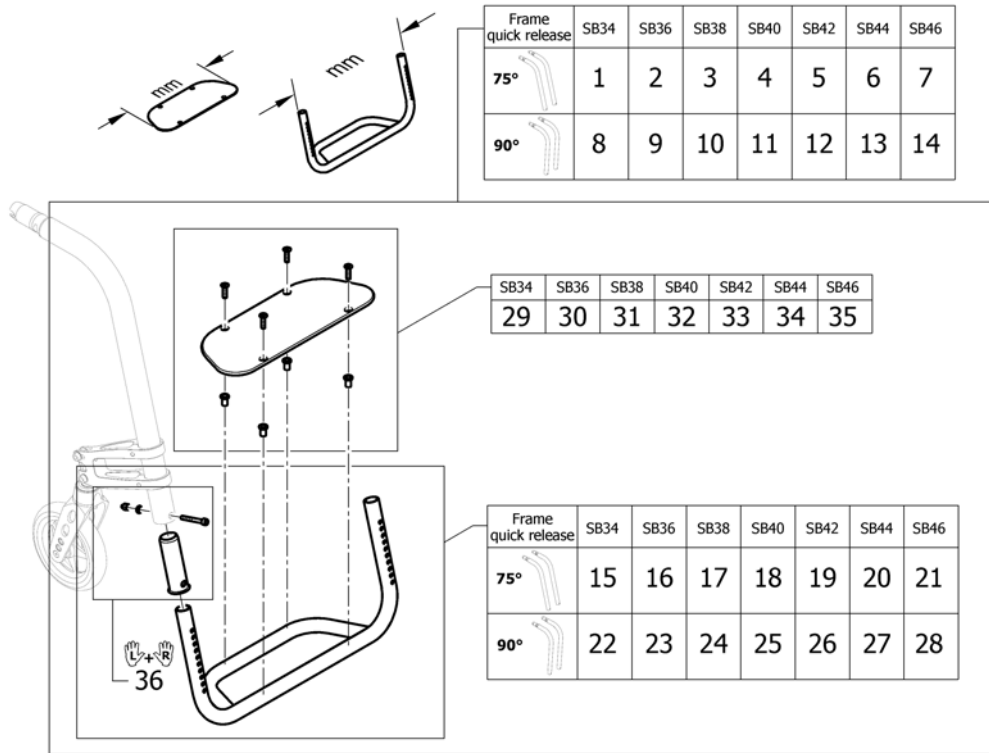
Pos.	Part number	Description	Valid from → until	Qty
32	1561063	Footrest Titanium 315mm for frame 75°		1
33	1561064	Footrest Titanium 335mm for frame 75°		1
34	1561065	Footrest Titanium 355mm for frame 75°		1
35	1561066	Footrest Titanium 375mm for frame 75°		1
36	1561067	Footrest Titanium 395mm for frame 75°		1
37	1561052	Footrest Aluminium 295mm for frame 90°		1
38	1561053	Footrest Aluminium 315mm for frame 90°		1
39	1561054	Footrest Aluminium 335mm for frame 90°		1
40	1561055	Footrest Aluminium 355mm for frame 90°		1
41	1561056	Footrest Aluminium 375mm for frame 90°		1
42	1561057	Footrest Aluminium 395mm for frame 90°		1
43	1561072	Footrest Titanium 295mm for frame 90°		1
44	1561073	Footrest Titanium 315mm for frame 90°		1
45	1561074	Footrest Titanium 335mm for frame 90°		1
46	1561075	Footrest Titanium 355mm for frame 90°		1
47	1561076	Footrest Titanium 375mm for frame 90°		1
48	1561077	Footrest Titanium 395mm for frame 90°		1
49	1561129	Footplate 183mm		1
50	1561130	Footplate 203mm		1
51	1561131	Footplate 223mm		1
52	1561132	Footplate 243mm		1
53	1561133	Footplate 263mm		1
54	1561134	Footplate 283mm		1

## Footrest standard highmounted for adducted frame



Pos.	Part number	Description	Valid from → until	Qty
1	1561215	Tube set for footrest, mounted in high position, 315mm		1
2	1561216	Tube set for footrest, mounted in high position, 335mm		1
3	1561217	Tube set for footrest, mounted in high position, 355mm		1
4	1561218	Tube set for footrest, mounted in high position, 375mm		1
5	1561219	Tube set for footrest, mounted in high position, 395mm		1
6	1561224	Footrest Aluminium 295mm for frame 75° for footrest mounted in high position		1
7	1561225	Footrest Aluminium 315mm for frame 75° for footrest mounted in high position		1
8	1561292	Footrest Aluminium 335mm for frame 75° for footrest mounted in high position		1
9	1561293	Footrest Aluminium 355mm for frame 75° for footrest mounted in high position		1
10	1561294	Footrest Aluminium 375mm for frame 75° for footrest mounted in high position		1
11	1561300	Footrest Aluminium 295mm for frame 90° for footrest mounted in high position		1
12	1561301	Footrest Aluminium 315mm for frame 90° for footrest mounted in high position		1
13	1561302	Footrest Aluminium 335mm for frame 90° for footrest mounted in high position		1
14	1561303	Footrest Aluminium 355mm for frame 90° for footrest mounted in high position		1
15	1561304	Footrest Aluminium 375mm for frame 90° for footrest mounted in high position		1
16	1561129	Footplate 183mm		1
17	1561130	Footplate 203mm		1
18	1561131	Footplate 223mm		1
19	1561132	Footplate 243mm		1
20	1561133	Footplate 263mm		1
21	1544613	Clamping kit for footrest high mounted, pair		1

## Footrest standard for quick release frame



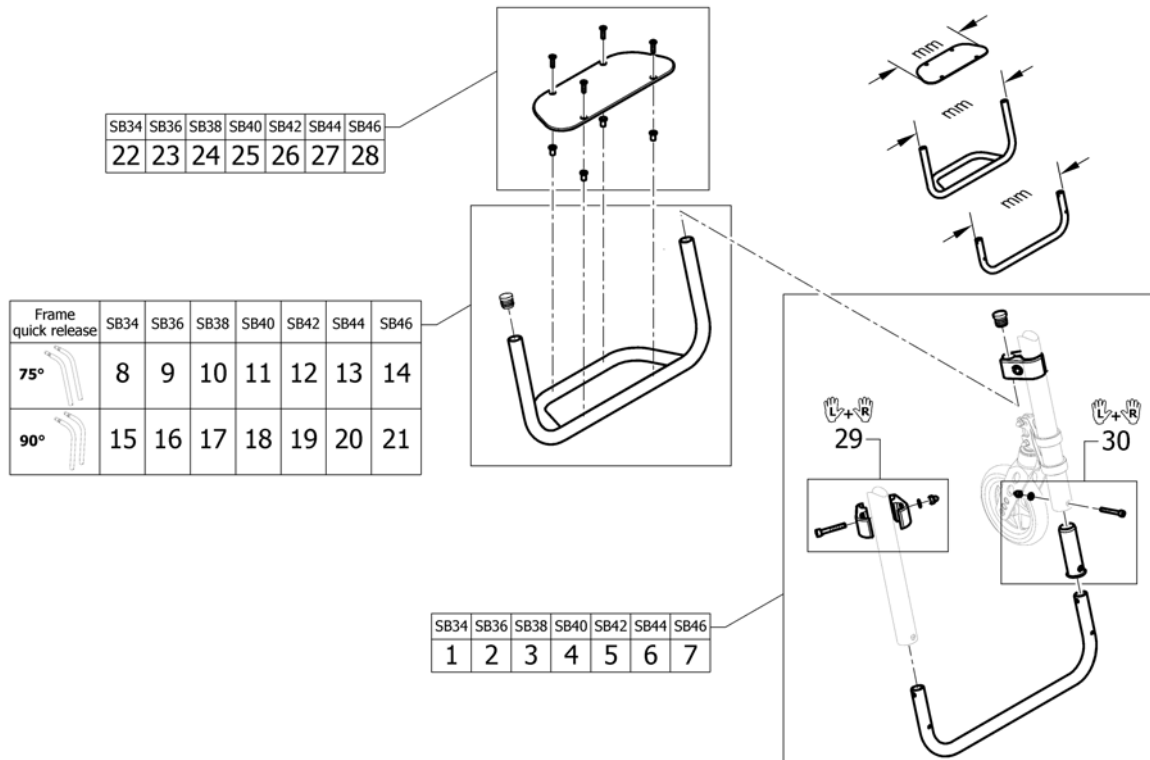
Pos.	Part number	Description	Valid from → until	Qty
1	1567324	Footrest Aluminium 316mm with plate for quick release frame 75°		1
2	1567325	Footrest Aluminium 336mm with plate for quick release frame 75°		1
3	1567326	Footrest Aluminium 356mm with plate for quick release frame 75°		1
4	1567327	Footrest Aluminium 376mm with plate for quick release frame 75°		1
5	1567328	Footrest Aluminium 396mm with plate for quick release frame 75°		1
6	1567329	Footrest Aluminium 416mm with plate for quick release frame 75°		1
7	1567330	Footrest Aluminium 436mm with plate for quick release frame 75°		1
8	1567332	Footrest Aluminium 316mm with plate for quick release frame 90°		1
9	1567333	Footrest Aluminium 336mm with plate for quick release frame 90°		1
10	1567334	Footrest Aluminium 356mm with plate for quick release frame 90°		1
11	1567335	Footrest Aluminium 376mm with plate for quick release frame 90°		1
12	1567336	Footrest Aluminium 396mm with plate for quick release frame 90°		1
13	1567399	Footrest Aluminium 416mm with plate for quick release frame 90°		1
14	1567400	Footrest Aluminium 436mm with plate for quick release frame 90°		1
15	1567402	Footrest Aluminium 316mm for quick release frame 75°		1
16	1567403	Footrest Aluminium 336mm for quick release frame 75°		1
17	1567404	Footrest Aluminium 356mm for quick release frame 75°		1
18	1567405	Footrest Aluminium 376mm for quick release frame 75°		1
19	1567406	Footrest Aluminium 396mm for quick release frame 75°		1
20	1567407	Footrest Aluminium 416mm for quick release frame 75°		1
21	1567521	Footrest Aluminium 436mm for quick release frame 75°		1
22	1567523	Footrest Aluminium 316mm for quick release frame 90°		1
23	1567524	Footrest Aluminium 336mm for quick release frame 90°		1
24	1567525	Footrest Aluminium 356mm for quick release frame 90°		1
25	1567690	Footrest Aluminium 376mm for quick release frame 90°		1
26	1567691	Footrest Aluminium 396mm for quick release frame 90°		1
27	1567692	Footrest Aluminium 416mm for quick release frame 90°		1
28	1567693	Footrest Aluminium 436mm for quick release frame 90°		1
29	1561130	Footplate 203mm		1
30	1561131	Footplate 223mm		1
31	1561132	Footplate 243mm		1



**Footrest standard for quick release frame**

<b>Pos.</b>	<b>Part number</b>	<b>Description</b>	<b>Valid from → until</b>	<b>Qty</b>
32	1561133	Footplate 263mm		1
33	1561134	Footplate 283mm		1
34	1561135	Footplate 303mm		1
35	1561136	Footplate 323mm		1
36	1567694	Footrest sleeve, pair		1

# Footrest standard highmounted for quick release frame

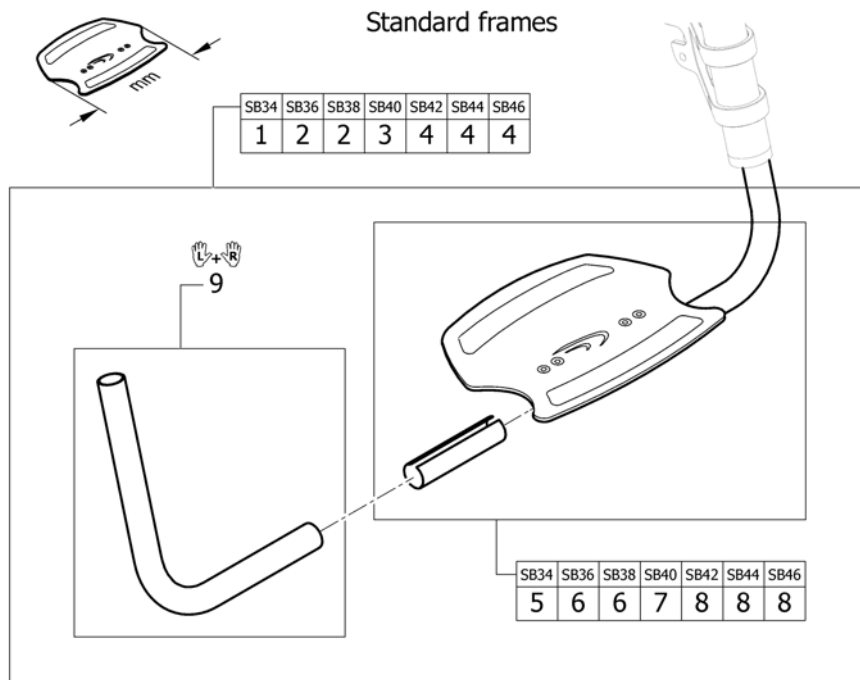


Pos.	Part number	Description	Valid from → until	Qty
1	1567695	Tube set 316mm for footrest, mounted in high position on quick release frame		1
2	1567696	Tube set 336mm for footrest, mounted in high position on quick release frame		1
3	1567697	Tube set 356mm for footrest, mounted in high position on quick release frame		1
4	1567708	Tube set 376mm for footrest, mounted in high position on quick release frame		1
5	1567709	Tube set 396mm for footrest, mounted in high position on quick release frame		1
6	1567710	Tube set 416mm for footrest, mounted in high position on quick release frame		1
7	1567711	Tube set 436mm for footrest, mounted in high position on quick release frame		1
8	1561224	Footrest Aluminium 295mm for frame 75° for footrest mounted in high position		1
9	1561225	Footrest Aluminium 315mm for frame 75° for footrest mounted in high position		1
10	1561292	Footrest Aluminium 335mm for frame 75° for footrest mounted in high position		1
11	1561293	Footrest Aluminium 355mm for frame 75° for footrest mounted in high position		1
12	1561294	Footrest Aluminium 375mm for frame 75° for footrest mounted in high position		1
13	1561295	Footrest Aluminium 395mm for frame 75° for footrest mounted in high position		1
14	1561296	Footrest Aluminium 415mm for frame 75° for footrest mounted in high position		1
15	1561300	Footrest Aluminium 295mm for frame 90° for footrest mounted in high position		1
16	1561301	Footrest Aluminium 315mm for frame 90° for footrest mounted in high position		1
17	1561302	Footrest Aluminium 335mm for frame 90° for footrest mounted in high position		1
18	1561303	Footrest Aluminium 355mm for frame 90° for footrest mounted in high position		1

**Footrest standard highmounted for quick release frame**

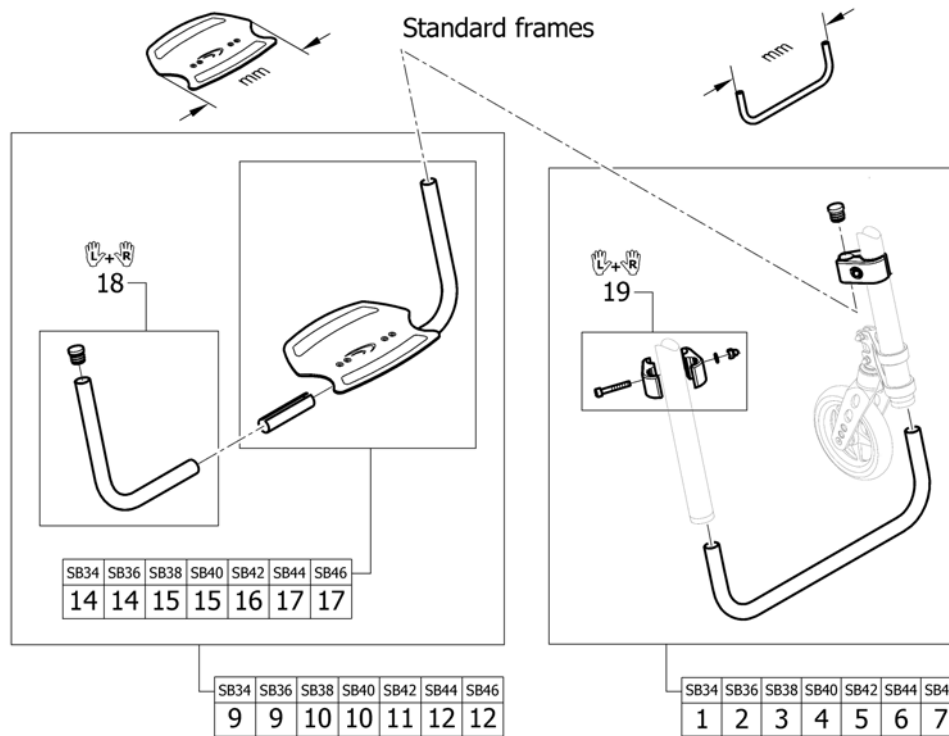
Pos.	Part number	Description	Valid from → until	Qty
19	1561304	Footrest Aluminium 375mm for frame 90° for footrest mounted in high position		1
20	1561305	Footrest Aluminium 395mm for frame 90° for footrest mounted in high position		1
21	1561306	Footrest Aluminium 415mm for frame 90° for footrest mounted in high position		1
22	1561129	Footplate 183mm		1
23	1561130	Footplate 203mm		1
24	1561131	Footplate 223mm		1
25	1561132	Footplate 243mm		1
26	1561133	Footplate 263mm		1
27	1561134	Footplate 283mm		1
28	1561135	Footplate 303mm		1
29	1544613	Clamping kit for footrest high mounted, pair		1
30	1567694	Footrest sleeve, pair		1

# Footrest angle adjustable



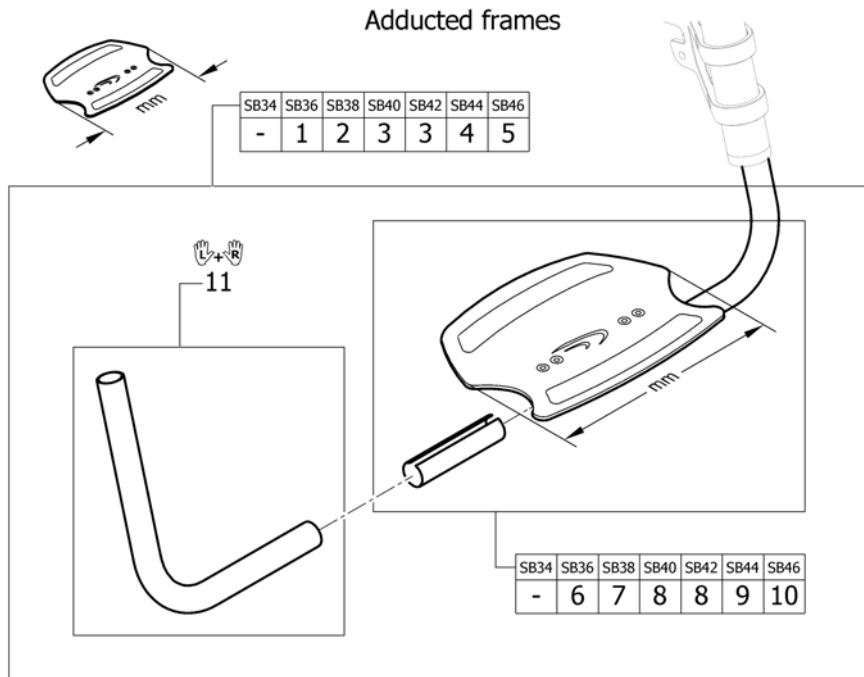
Pos.	Part number	Description	Valid from → until	Qty
1	1561206	Footrest angle adjustable 222mm, complete		1
2	1561207	Footrest angle adjustable 250mm, complete		1
3	1561208	Footrest angle adjustable 280mm, complete		1
4	1561209	Footrest angle adjustable 308mm, complete		1
5	1561143	Footplate 222mm with clamping part		1
6	1561144	Footplate 250mm with clamping part		1
7	1561145	Footplate 280mm with clamping part		1
8	1561204	Footplate 308mm with clamping part		1
9	1561210	Telescopic kit for footrest angle adjustable, pair		1

## Footrest angle adjustable highmounted



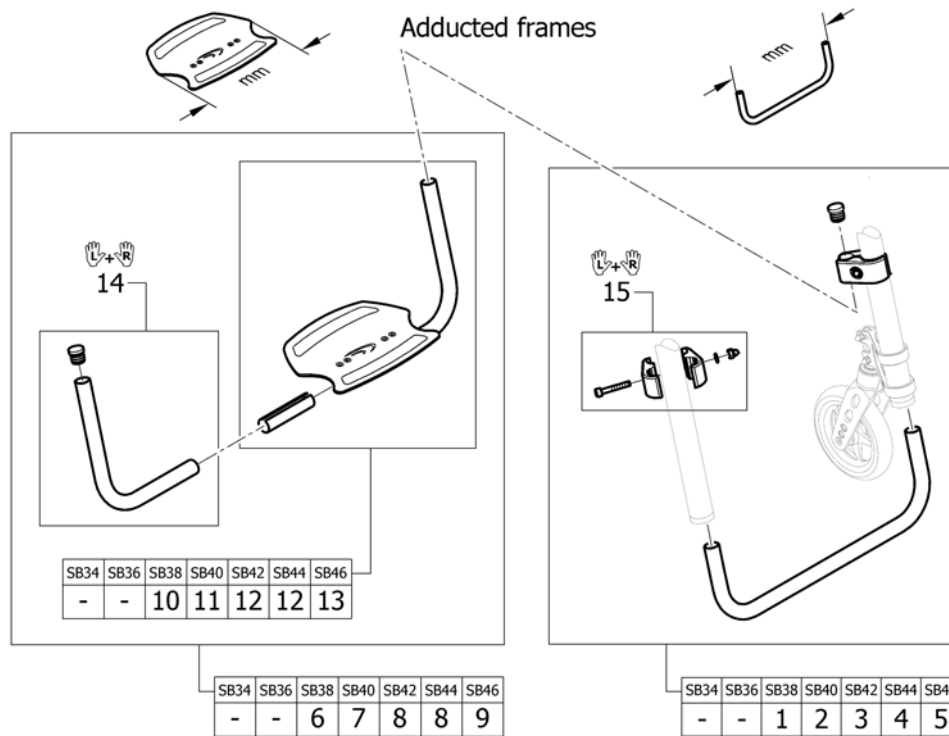
Pos.	Part number	Description	Valid from → until	Qty
1	1561215	Tube set for footrest, mounted in high position, 315mm		1
2	1561216	Tube set for footrest, mounted in high position, 335mm		1
3	1561217	Tube set for footrest, mounted in high position, 355mm		1
4	1561218	Tube set for footrest, mounted in high position, 375mm		1
5	1561219	Tube set for footrest, mounted in high position, 395mm		1
6	1561220	Tube set for footrest, mounted in high position, 415mm		1
7	1561221	Tube set for footrest, mounted in high position, 435mm		1
9	1561313	Footrest angle adjustable 222mm for footrest mounted in high position		1
10	1561314	Footrest angle adjustable 250mm for footrest mounted in high position		1
11	1561315	Footrest angle adjustable 280mm for footrest mounted in high position		1
12	1561316	Footrest angle adjustable 308mm for footrest mounted in high position		1
14	1561143	Footplate 222mm with clamping part		1
15	1561144	Footplate 250mm with clamping part		1
16	1561145	Footplate 280mm with clamping part		1
17	1561204	Footplate 308mm with clamping part		1
18	1561317	Telescopic kit for footrest angle adjustable mounted in high position		1
19	1544613	Clamping kit for footrest high mounted, pair		1

## Footrest angle adjustable for adducted frame



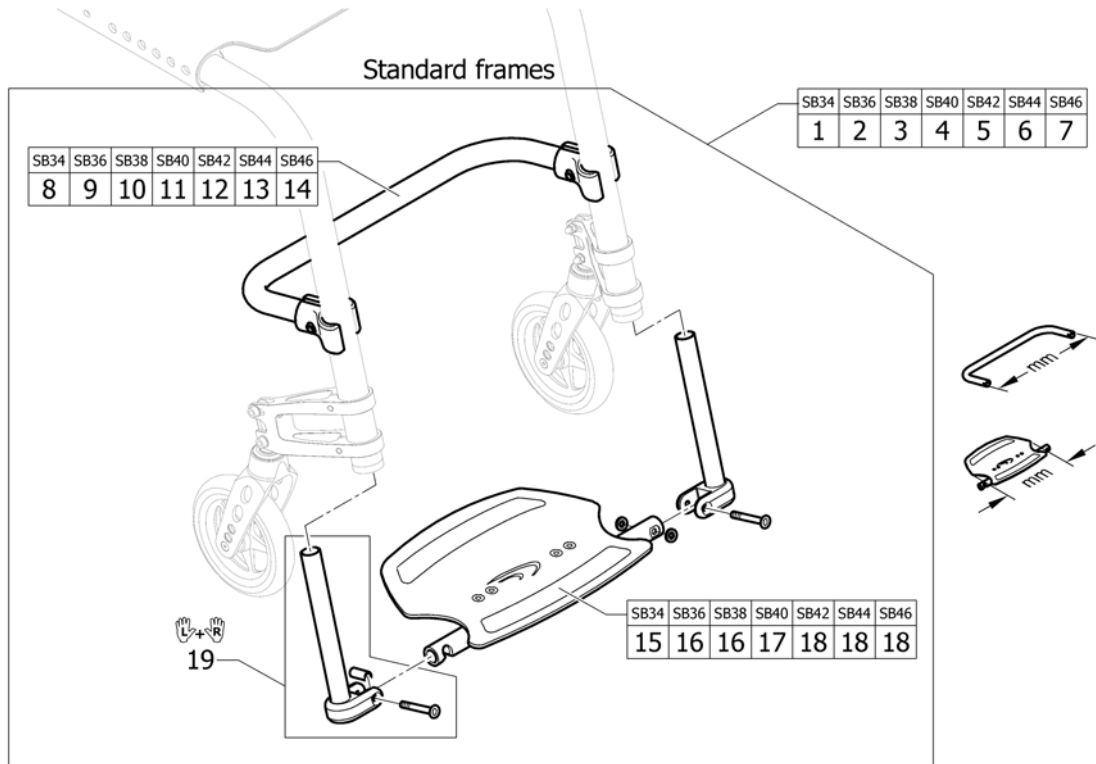
Pos.	Part number	Description	Valid from → until	Qty
1	1561205	Footrest angle adjustable 193mm, complete		1
2	1561206	Footrest angle adjustable 222mm, complete		1
3	1561207	Footrest angle adjustable 250mm, complete		1
4	1561208	Footrest angle adjustable 280mm, complete		1
5	1561209	Footrest angle adjustable 308mm, complete		1
6	1561142	Footplate 193mm with clamping part		1
7	1561143	Footplate 222mm with clamping part		1
8	1561144	Footplate 250mm with clamping part		1
9	1561145	Footplate 280mm with clamping part		1
10	1561204	Footplate 308mm with clamping part		1
11	1561210	Telescopic kit for footrest angle adjustable, pair		1

## Footrest angle adjustable highmounted for adducted frame



Pos.	Part number	Description	Valid from → until	Qty
1	1561215	Tube set for footrest, mounted in high position, 315mm		1
2	1561216	Tube set for footrest, mounted in high position, 335mm		1
3	1561217	Tube set for footrest, mounted in high position, 355mm		1
4	1561218	Tube set for footrest, mounted in high position, 375mm		1
5	1561219	Tube set for footrest, mounted in high position, 395mm		1
6	1561312	Footrest angle adjustable 193mm for footrest mounted in high position		1
7	1561313	Footrest angle adjustable 222mm for footrest mounted in high position		1
8	1561314	Footrest angle adjustable 250mm for footrest mounted in high position		1
9	1561315	Footrest angle adjustable 280mm for footrest mounted in high position		1
10	1561142	Footplate 193mm with clamping part		1
11	1561143	Footplate 222mm with clamping part		1
12	1561144	Footplate 250mm with clamping part		1
13	1561145	Footplate 280mm with clamping part		1
14	1561317	Telescopic kit for footrest angle adjustable mounted in high position		1
15	1544613	Clamping kit for footrest high mounted, pair		1

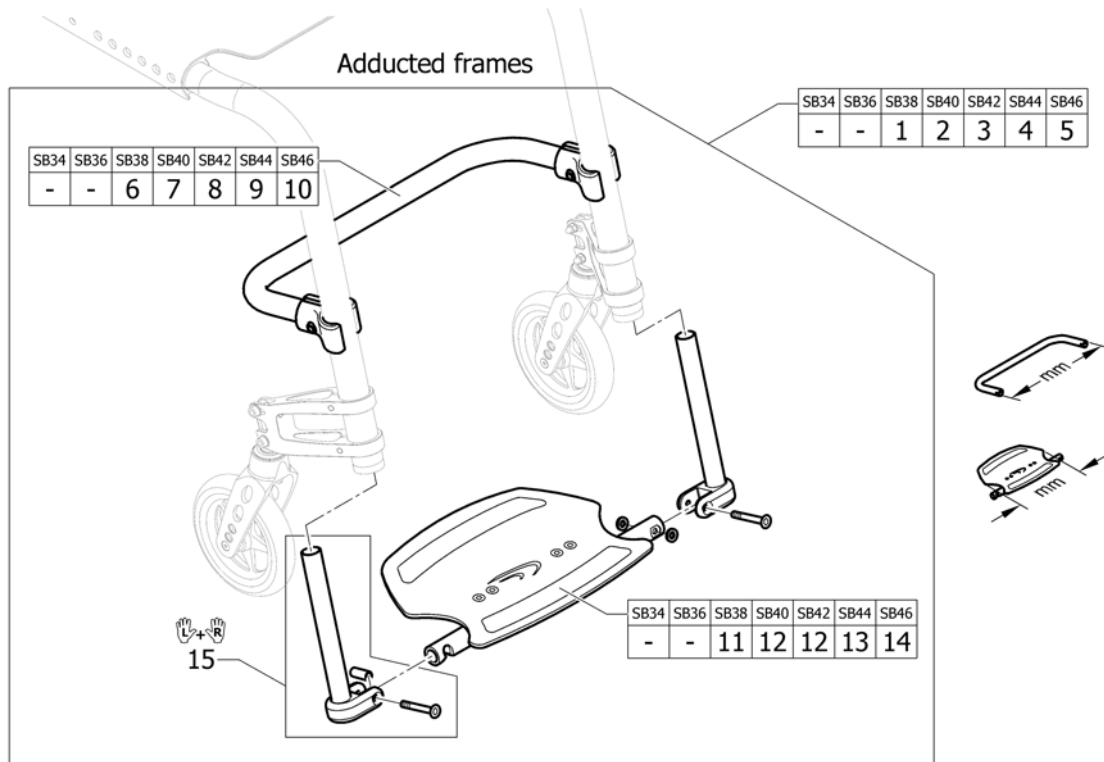
# Footrest flip-to-side



Pos.	Part number	Description	Valid from → until	Qty
1	1561318	Footrest flip-to-side with reinforcement bar 316mm complete		1
2	1561319	Footrest flip-to-side with reinforcement bar 336mm complete		1
3	1561320	Footrest flip-to-side with reinforcement bar 356mm complete		1
4	1561393	Footrest flip-to-side with reinforcement bar 376mm complete		1
5	1561394	Footrest flip-to-side with reinforcement bar 396mm complete		1
6	1561511	Footrest flip-to-side with reinforcement bar 416mm complete		1
7	1561512	Footrest flip-to-side with reinforcement bar 436mm complete		1
8	1561513	Reinforcement bar 316mm to Footrest flip to side		1
9	1561514	Reinforcement bar 336mm to Footrest flip to side		1
10	1561515	Reinforcement bar 356mm to Footrest flip to side		1
11	1561516	Reinforcement bar 376mm to Footrest flip to side		1
12	1561517	Reinforcement bar 396mm to Footrest flip to side		1
13	1561518	Reinforcement bar 416mm to Footrest flip to side		1
14	1561519	Reinforcement bar 436mm to Footrest flip to side		1
15	1561520	Footplate 222mm to footrest flip-to-side		1
16	1561521	Footplate 250mm to footrest flip-to-side		1
17	1561522	Footplate 280mm to footrest flip-to-side		1
18	1561523	Footplate 308mm to footrest flip-to-side		1
19	1561524	Telescopic tube kit to footrest flip-to-side		1

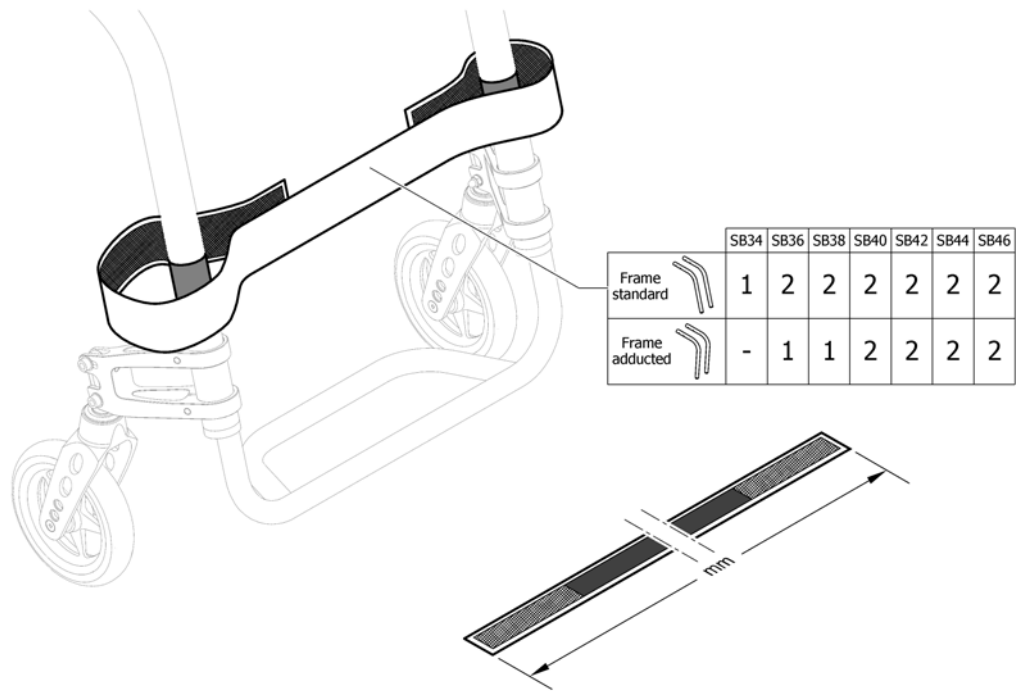


## Footrest flip-to-side for adducted frame

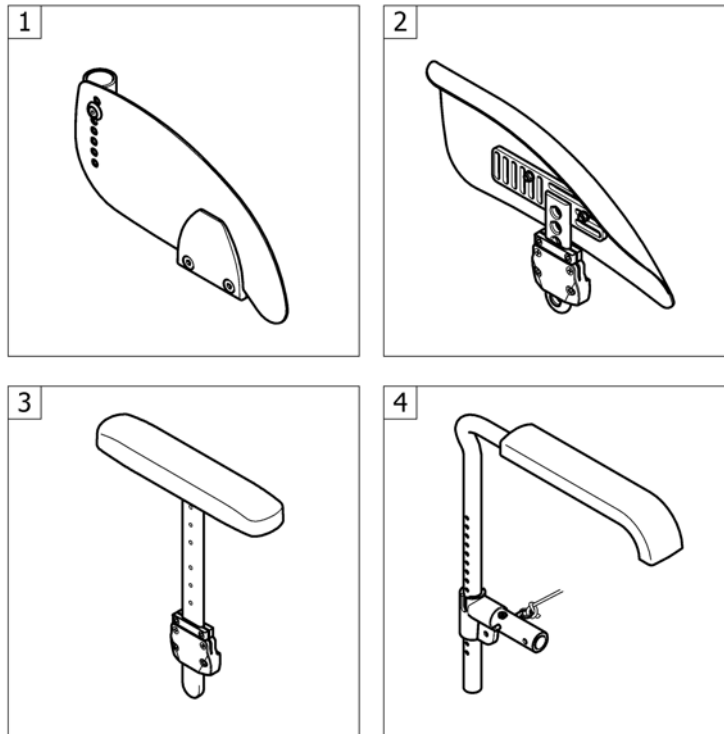


Pos.	Part number	Description	Valid from → until	Qty
1	1561318	Footrest flip-to-side with reinforcement bar 316mm complete		1
2	1561319	Footrest flip-to-side with reinforcement bar 336mm complete		1
3	1561320	Footrest flip-to-side with reinforcement bar 356mm complete		1
4	1561393	Footrest flip-to-side with reinforcement bar 376mm complete		1
5	1561394	Footrest flip-to-side with reinforcement bar 396mm complete		1
6	1561513	Reinforcement bar 316mm to Footrest flip to side		1
7	1561514	Reinforcement bar 336mm to Footrest flip to side		1
8	1561515	Reinforcement bar 356mm to Footrest flip to side		1
9	1561516	Reinforcement bar 376mm to Footrest flip to side		1
10	1561517	Reinforcement bar 396mm to Footrest flip to side		1
11	1561520	Footplate 222mm to footrest flip-to-side		1
12	1561521	Footplate 250mm to footrest flip-to-side		1
13	1561522	Footplate 280mm to footrest flip-to-side		1
14	1561523	Footplate 308mm to footrest flip-to-side		1
15	1561524	Telescopic tube kit to footrest flip-to-side		1

# Calf strap

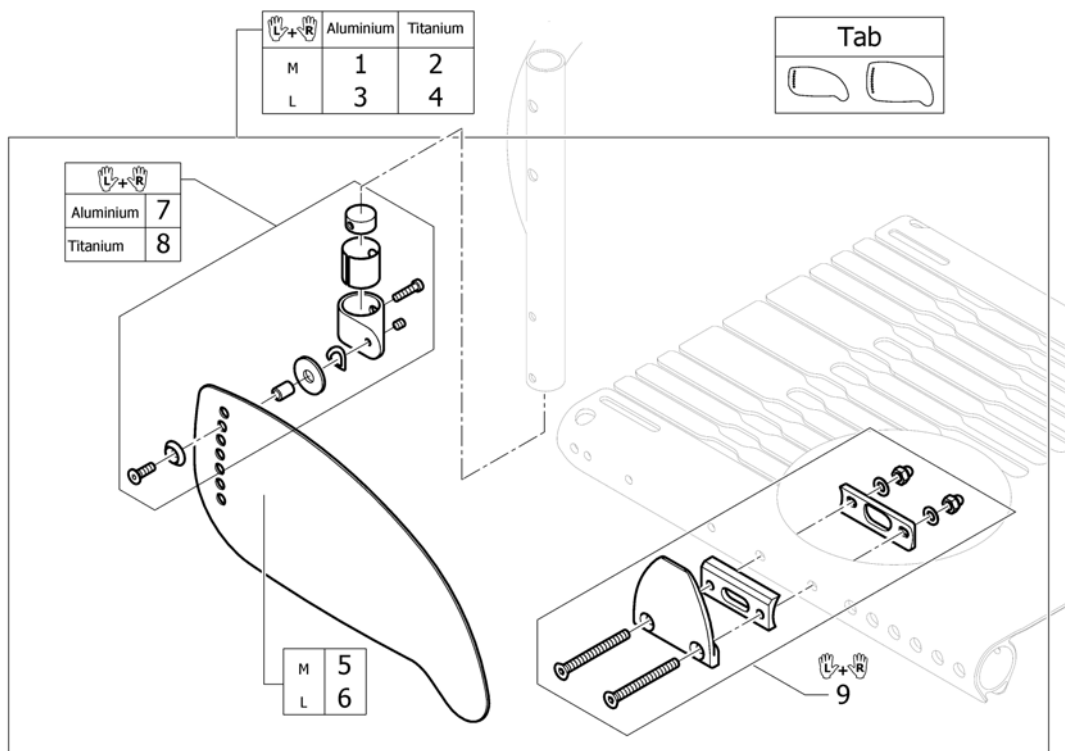


Pos.	Part number	Description	Valid from → until	Qty
1	1561528	Calf strap complete, 780mm		1
2	1561529	Calf strap complete, 940mm		1

**SIDERESTS**

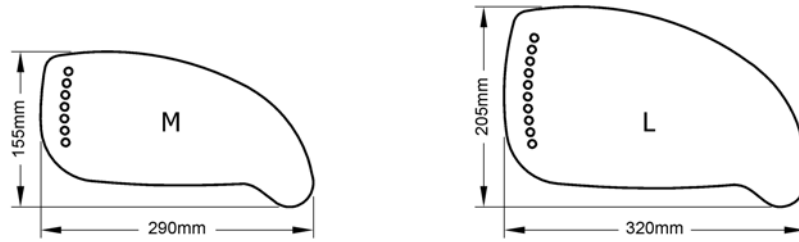
Pos.	Part number	Description	Valid from → until	Qty
1	-	Clothes-guards carbon		1
2	-	Mudguards carbon		1
3	-	Siderest height adjustable		1
4	-	Tubular armrest		1

# Clothes-guards carbon



Pos.	Part number	Description	Valid from → until	Qty
Tab	-	Configuration table clothes-guard carbon		1
1	1561659	Clothes-guards carbon M with fixation kit to backrest Aluminium, pair		1
2	1561747	Clothes-guards carbon M with fixation kit to backrest Titan, pair		1
3	1561815	Clothes-guards carbon L with fixation kit to backrest Aluminium, pair		1
4	1561835	Clothes-guards carbon L with fixation kit to backrest Titan, pair		1
5	1547461	Clothes-guard carbon M		1
6	1547462	Clothes-guard carbon L		1
7	1547452	Fixation kit clothes-guard carbon to backrest Aluminium		1
8	1547453	Fixation kit clothes-guard carbon to backrest Titanium		1
9	1561836	Fixation clothes-guard to seat module, pair		1

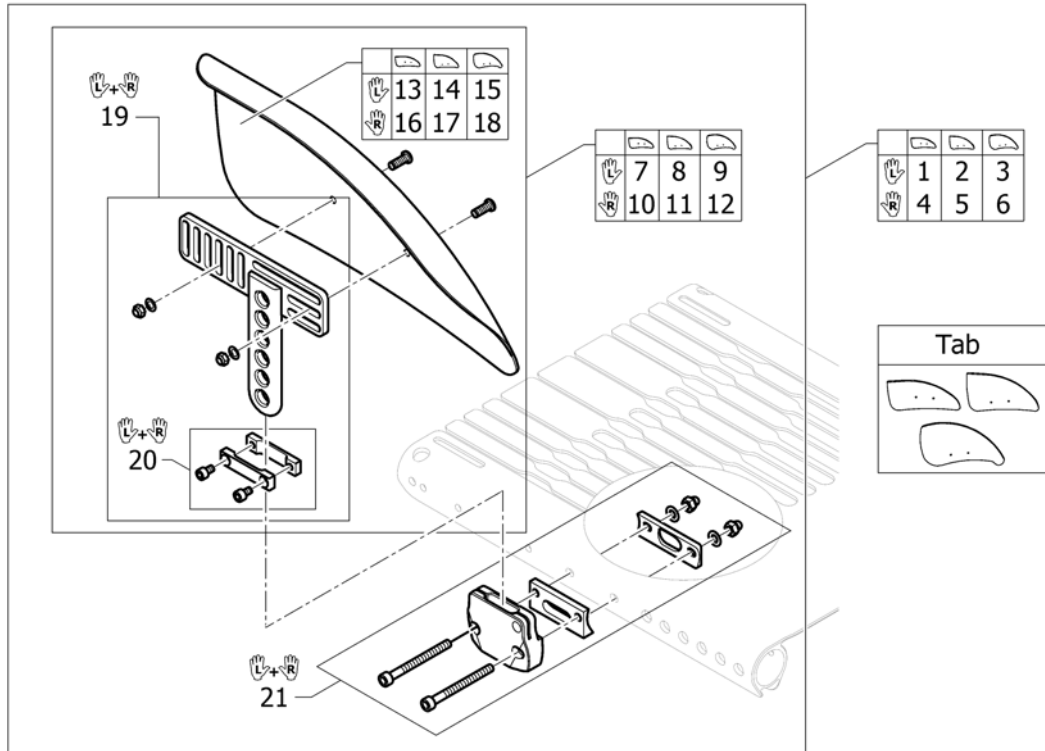
## Configuration table clothes-guard carbon



Rear wheel position (mm)	Rear wheel 22"					Rear wheel 24"					Rear wheel 25"					Rear wheel 26"				
	140	125	110	95	80	140	125	110	95	80	140	125	110	95	80	140	125	110	95	80
Rear SH 37cm	L	L	L	L	M	L	L	L	L	L	L	L	L	L	L	L	L	L	L	L
Rear SH 38cm	L	L	L	M	M	L	L	L	L	L	L	L	L	L	L	L	L	L	L	L
Rear SH 39cm	L	L	M	M	M	L	L	L	L	L	L	L	L	L	L	L	L	L	L	L
Rear SH 40cm	L	M	M	M	M	L	L	L	L	L	L	L	L	L	L	L	L	L	L	L
Rear SH 41cm	M	M	M	M	M	L	L	L	L	M	L	L	L	L	L	L	L	L	L	L
Rear SH 42 cm	M	M	M	M	M	L	L	L	M	M	L	L	L	L	L	L	L	L	L	L
Rear SH 43cm	M	M	M	M	M	L	L	M	M	M	L	L	L	L	M	L	L	L	L	L
Rear SH 44cm	M	M	M	M	M	L	M	M	M	M	L	L	L	M	M	L	L	L	L	L
Rear SH 45cm	M	M	M	M	M	M	M	M	M	M	L	L	M	M	M	L	L	L	L	M
Rear SH 46cm	M	M	M	M	M	M	M	M	M	M	L	M	M	M	M	L	L	L	M	M
Rear SH 47cm	M	M	M	M	M	M	M	M	M	M	M	M	M	M	M	L	L	M	M	M
Rear SH 48cm	M	M	M	M	M	M	M	M	M	M	M	M	M	M	M	L	M	M	M	M
Rear SH 49cm	M	M	M	M	M	M	M	M	M	M	M	M	M	M	M	M	M	M	M	M

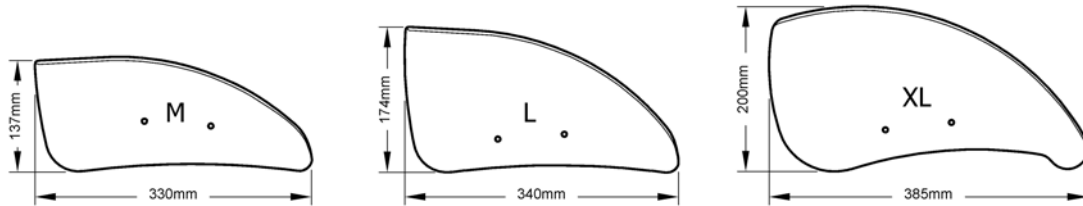
Pos.	Part number	Description	Valid from → until	Qty
M	-	Clothes-guard Size M		1
L	-	Clothes-guard Size L		1

# Mudguards carbon



Pos.	Part number	Description	Valid from → until	Qty
Tab	-	Configuration table mudguards carbon		1
1	1562025	Mudguard carbon left M short complete		1
2	1562026	Mudguard carbon left L short complete		1
3	1562027	Mudguard carbon left XL short complete		1
4	1562028	Mudguard carbon right M short complete		1
5	1562238	Mudguard carbon right L short complete		1
6	1562239	Mudguard carbon right XL short complete		1
7	1547479	Mudguard carbon left M short		1
8	1547480	Mudguard carbon left L short		1
9	1553158	Mudguard carbon left XL short		1
10	1547483	Mudguard carbon right M short		1
11	1547484	Mudguard carbon right L short		1
12	1553203	Mudguard carbon right XL short		1
13	1547533	Mudguard carbon left M		1
14	1547534	Mudguard carbon left L		1
15	1553137	Mudguard carbon left XL		1
16	1547535	Mudguard carbon right M		1
17	1547536	Mudguard carbon right L		1
18	1553138	Mudguard carbon right XL		1
19	1547488	Mudguard carbon holder short, pair		1
20	1547537	Siderests height clamp kit, pair		1
21	1562240	Fixationset mudguard to seat module, pair		1

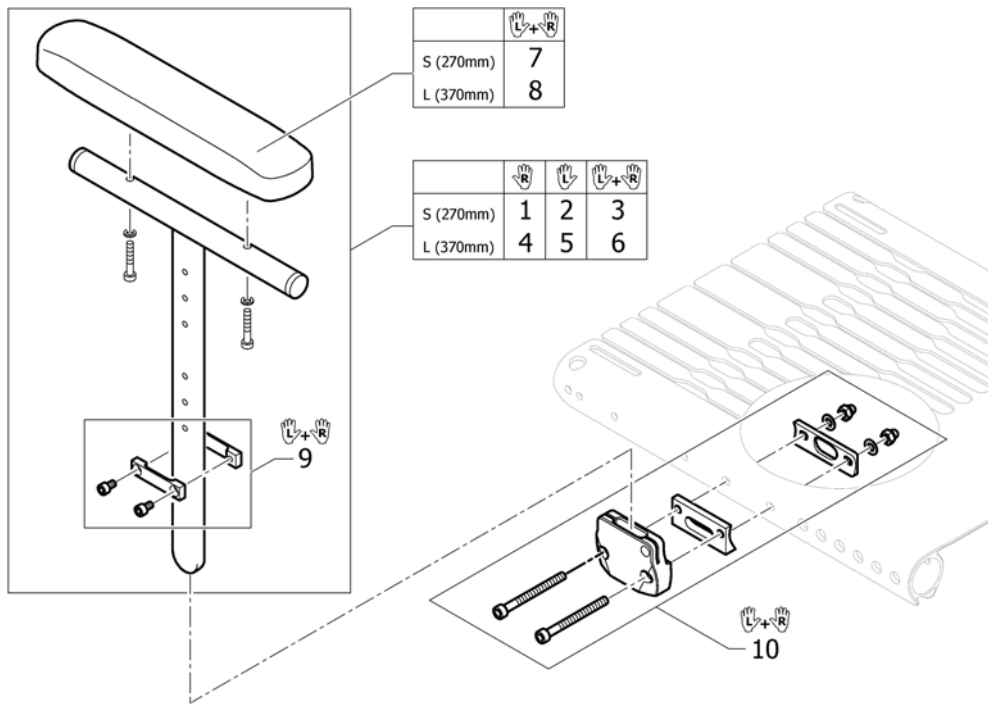
## Configuration table mudguards carbon



Rear wheel position (mm)	Rear wheel 22"					Rear wheel 24"					Rear wheel 25"					Rear wheel 26"				
	140	125	110	95	80	140	125	110	95	80	140	125	110	95	80	140	125	110	95	80
Rear SH 37cm	L	L	L	L	M	XL	XL	L	L	L	XL	XL	XL	XL	L	XL	XL	XL	XL	XL
Rear SH 38cm	L	L	L	M	M	XL	L	L	L	L	XL	XL	XL	L	L	XL	XL	XL	XL	XL
Rear SH 39cm	L	L	M	M	M	L	L	L	L	L	XL	XL	L	L	L	XL	XL	XL	XL	L
Rear SH 40cm	L	M	M	M	M	L	L	L	L	L	XL	L	L	L	L	XL	XL	XL	L	L
Rear SH 41cm	M	M	M	M	M	L	L	L	L	M	L	L	L	L	L	XL	XL	L	L	L
Rear SH 42 cm	M	M	M	M	M	L	L	L	M	M	L	L	L	L	L	XL	L	L	L	L
Rear SH 43cm	M	M	M	M	M	L	L	M	M	M	L	L	L	L	M	L	L	L	L	L
Rear SH 44cm	M	M	M	M	M	L	M	M	M	M	L	L	L	M	M	L	L	L	L	L
Rear SH 45cm	M	M	M	M	M	M	M	M	M	M	L	L	M	M	M	L	L	L	L	M
Rear SH 46cm	M	M	M	M	M	M	M	M	M	M	L	M	M	M	M	L	L	L	M	M
Rear SH 47cm	M	M	M	M	M	M	M	M	M	M	M	M	M	M	M	L	L	M	M	M
Rear SH 48cm	M	M	M	M	M	M	M	M	M	M	M	M	M	M	M	L	M	M	M	M
Rear SH 49cm	M	M	M	M	M	M	M	M	M	M	M	M	M	M	M	M	M	M	M	M

Pos.	Part number	Description	Valid from → until	Qty
M	-	Mudguard carbon Size M		1
L	-	Mudguard carbon Size L		1
XL	-	Mudguard carbon Size XL		1

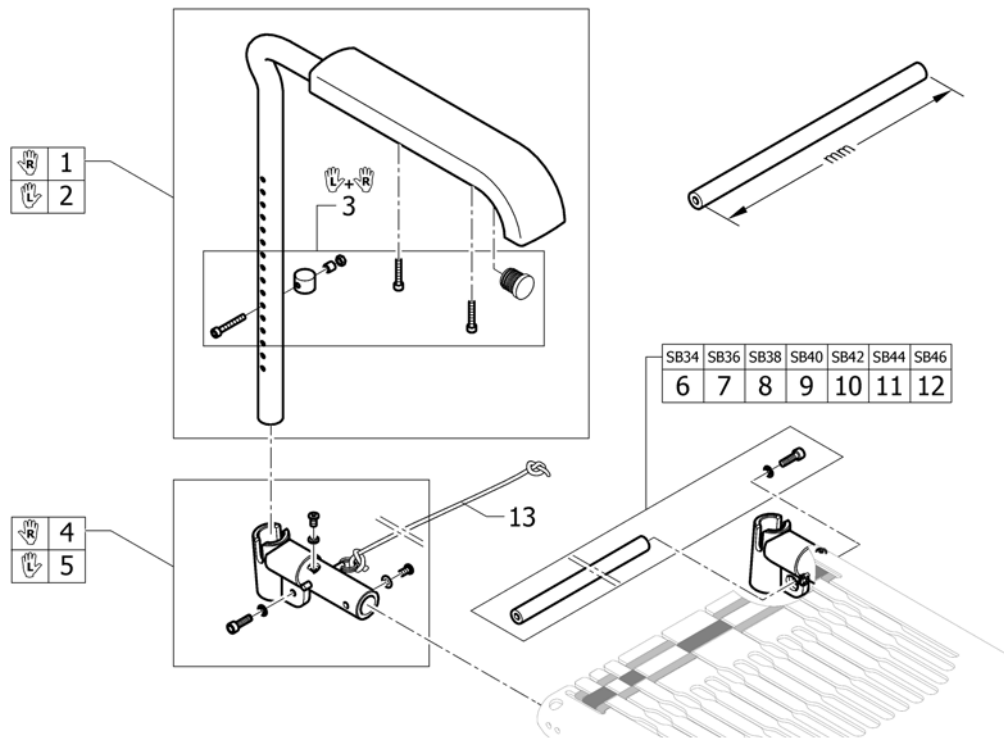
## Siderest height adjustable



Pos.	Part number	Description	Valid from → until	Qty
1	1517677	Siderest height adjustable short, right		1
2	1517678	Siderest height adjustable short, left		1
3	1517682	Siderest height adjustable short, pair		1
4	1517679	Siderest height adjustable long, right		1
5	1517680	Siderest height adjustable long, left		1
6	1517683	Siderest height adjustable long, pair		1
7	1439497	Armpad S (270mm) incl. screws, pair		1
8	1439498	Armpad L (370mm) incl. screws, pair		1
9	1547537	Siderests height clamp kit, pair		1
10	1562240	Fixationset mudguard to seat module, pair		1

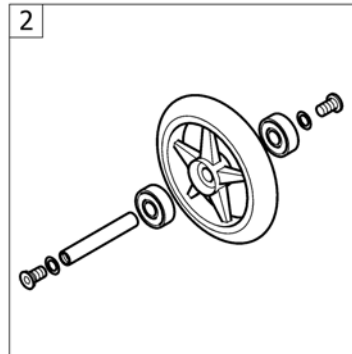
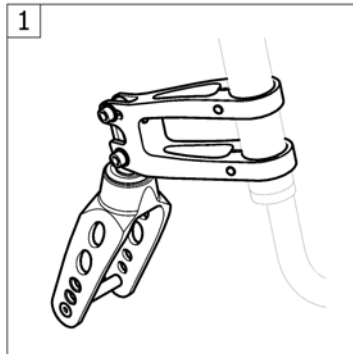


# Tubular armrest



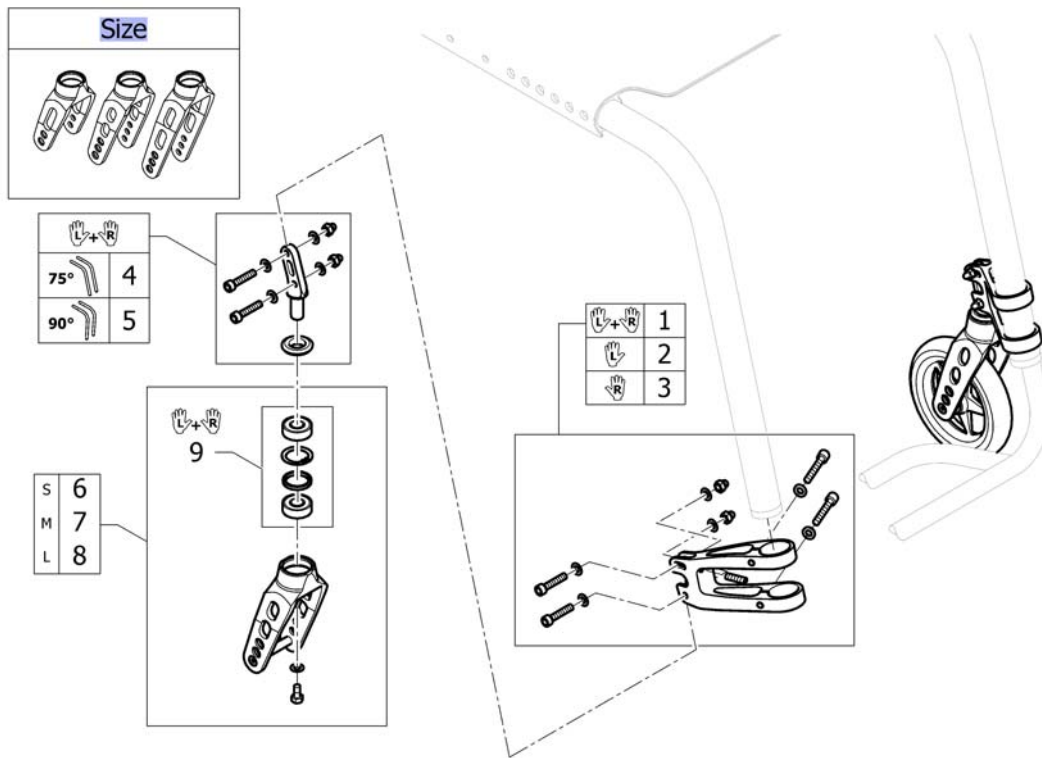
Pos.	Part number	Description	Valid from → until	Qty
1	913.1012	Armrest with standard cushion, right		1
2	913.1013	Armrest, with standard cushion, left		1
3	1547610	Boltset Armrest		1
4	1562556	Armrest adapter right incl. Fixation and cord		1
5	1562557	Armrest adapter left incl. Fixation and cord		1
6	1562509	Connection tube 296mm		1
7	1562510	Connection tube 316mm		1
8	1562511	Connection tube 336mm		1
9	1562512	Connection tube 356mm		1
10	1562513	Connection tube 376mm		1
11	1562514	Connection tube 396mm		1
12	1562553	Connection tube 416mm		1
13	1554427	Cord for backrest foldable		1

# FRONT WHEELS



Pos.	Part number	Description	Valid from → until	Qty
1	-	Front forks standard		1
2	-	Front wheels		1

## Front forks standard

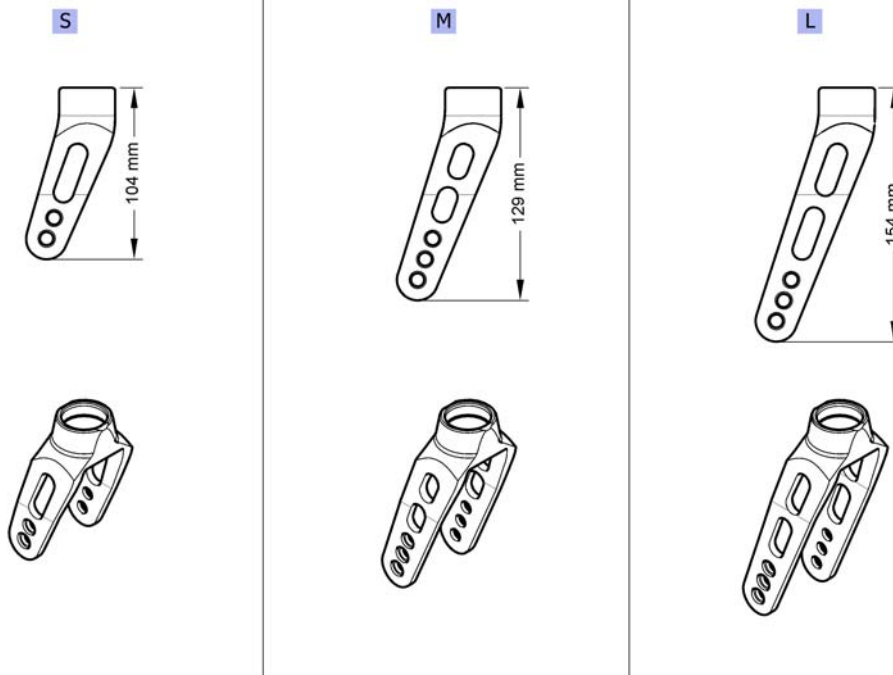


Pos.	Part number	Description	Valid from → until	Qty
Size	-	Configuration table for front fork size		0
1	1562560	Front wheel supporter, pair, dark grey	2012-05-14 → 2014-12-31	1
1	1562560-0004	Front wheel supporter, pair, black	2015-01-01 →	1
2	1562561	Front wheel supporter, left, dark grey	2012-05-14 → 2014-12-31	1
2	1562561-0004	Front wheel supporter, left, black	2015-01-01 →	1
3	1562562	Front wheel supporter, right, dark grey	2012-05-14 → 2014-12-31	1
3	1562562-0004	Front wheel supporter, right, black	2015-01-01 →	1
4	1562563	Front fork pin kit for frame 75°, pair		1
5	1562564	Front fork pin kit for frame 90°, pair		1
6	1562565-0004	Front fork S, black anodized		2
6	1562565-0001	Front fork S, chrome		2
6	1562565-0182	Front fork S, champagne	2013-01-01 →	2
6	1562565-0183	Front fork S, olive	2013-01-01 → 2014-12-31	2
6	1562565-0400	Front fork S, techno-anthrazit		2
6	1562565-0404	Front fork S, b-blue	2012-05-14 → 2014-12-31	2
6	1562565-0440	Front fork S, comet red		2
6	1562565-0441	Front fork S, arctic blue		2
6	1562565-0444	Front fork S, copper glaze	2012-05-14 → 2014-12-31	2
7	1562566-0004	Front fork M, black anodized		2
7	1562566-0001	Front fork M, chrome		2
7	1562566-0182	Front fork M, champagne	2013-01-01 →	2
7	1562566-0183	Front fork M, olive	2013-01-01 → 2014-12-31	2
7	1562566-0400	Front fork M, techno-anthrazit		2
7	1562566-0404	Front fork M, b-blue	2012-05-14 → 2014-12-31	2
7	1562566-0440	Front fork M, comet red		2

**Front forks standard**

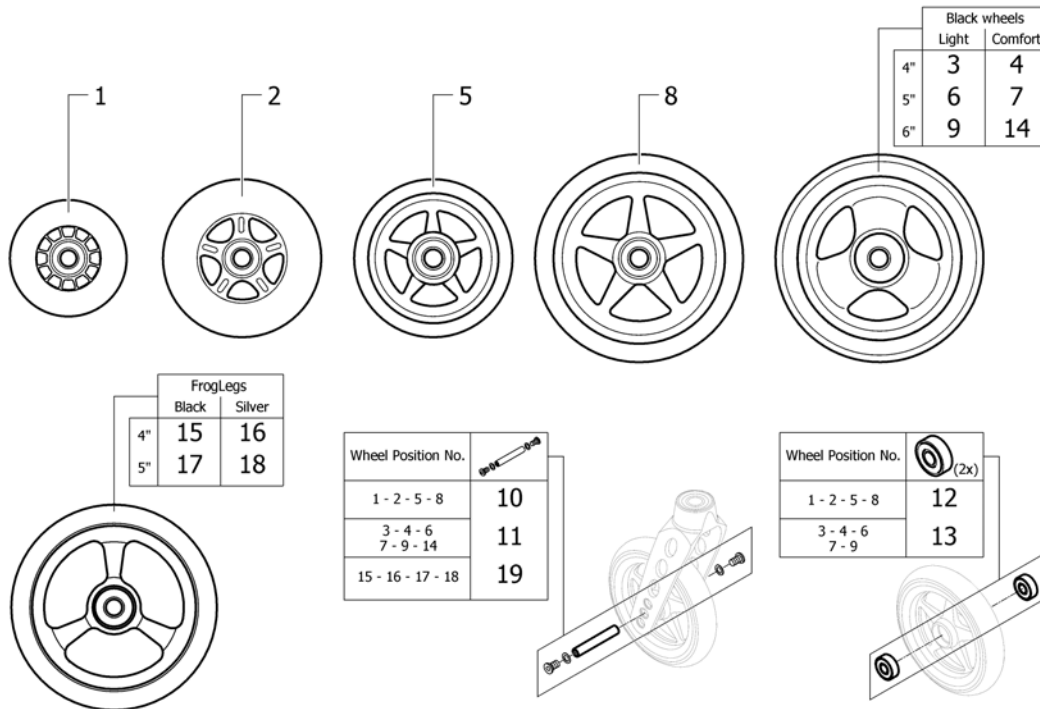
Pos.	Part number	Description	Valid from → until	Qty
7	1562566-0441	Front fork M, arctic blue		2
7	1562566-0444	Front fork M, copper glaze	2012-05-14 → 2014-12-31	2
8	1562567-0004	Front fork L, black anodized		2
8	1562567-0001	Front fork L, chrome		2
8	1562567-0182	Front fork L, champagne	2013-01-01 →	2
8	1562567-0183	Front fork L, olive	2013-01-01 → 2014-12-31	2
8	1562567-0400	Front fork L, techno-anthrazit		2
8	1562567-0404	Front fork L, b-blue	2012-05-14 → 2014-12-31	2
8	1562567-0440	Front fork L, comet red		2
8	1562567-0441	Front fork L, arctic blue		2
8	1562567-0444	Front fork L, copper glaze	2012-05-14 → 2014-12-31	2
9	1510219	Bearing kit		1

## Configuration table for front fork size



Pos.	Part number	Description	Valid from → until	Qty
S	-	Front fork, Size S		0
M	-	Front fork, Size M		0
L	-	Front fork, Size L		0

# Front wheels

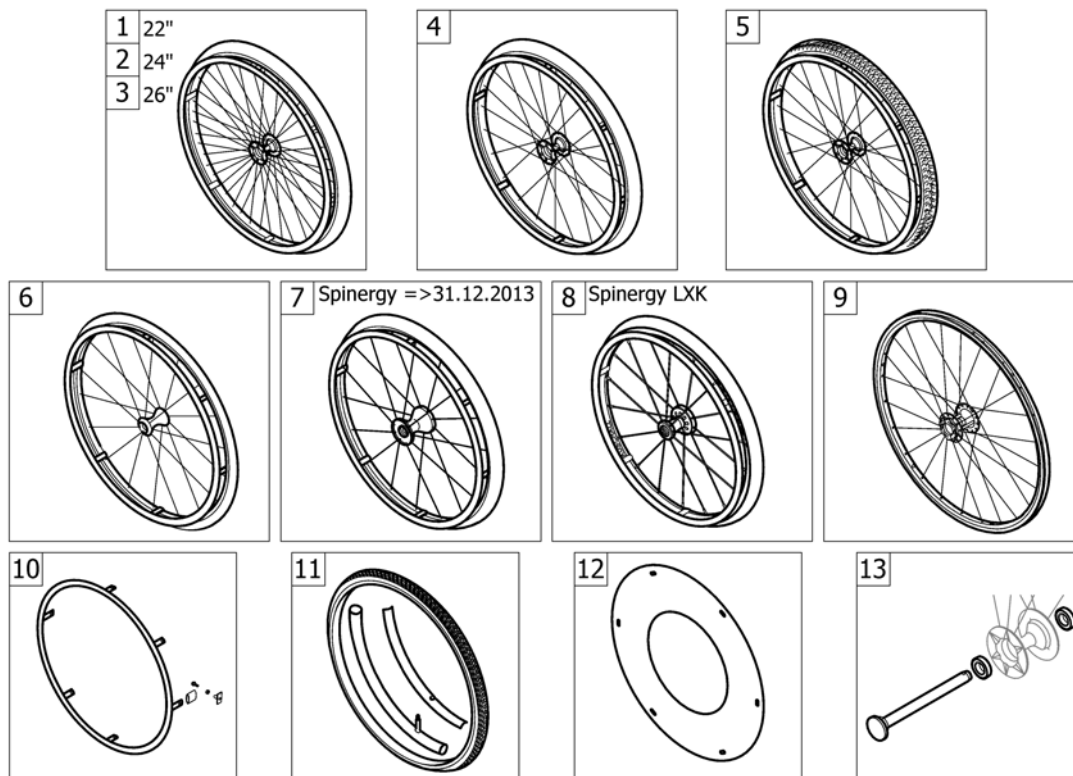


Pos.	Part number	Description	Valid from → until	Qty
1	1513180	3" Sports wheel, transparent		2
2	1513181	4" Skater wheel, transparent		2
3	SP1638070	4" Everyday wheel, black PU, pair <i>Replaces 1562626</i>	2017-06-26 →	1
4	SP1638072	4" Comfort wheel, black PU, pair <i>Replaces 1561139</i>	2017-01-01 →	1
5	1513183-0001	4" Starec wheel, chrome		2
5	1513183-0182	4" Starec wheel, champagne	2013-01-01 →	2
5	1513183-0183	4" Starec wheel, olive	2013-01-01 → 2014-12-31	2
5	1513183-0400	4" Starec wheel, techno-anthrazit		2
5	1513183-0404	4" Starec wheel, b-blue	2012-05-14 → 2014-12-31	2
5	1513183-0004	4" Starec wheel, black anodized <i>Replaces 1513183-0408</i>		2
5	1513183-0440	4" Starec wheel, comet red		2
5	1513183-0441	4" Starec wheel, arctic blue		2
5	1513183-0444	4" Starec wheel, copper glaze	2012-05-14 → 2014-12-31	2
6	SP1638071	5" Everyday wheel, black PU, pair <i>Replaces 1562627</i>	2017-05-01 →	1
7	SP1638073	5" Comfort wheel, black PU, pair <i>Replaces 1542640</i>	2017-01-01 →	1
8	1513187-0001	5" Starec wheel, chrome		2
8	1513187-0182	5" Starec wheel, champagne	2013-01-01 →	2
8	1513187-0183	5" Starec wheel, olive	2013-01-01 → 2014-12-31	2
8	1513187-0440	5" Starec wheel, comet red		2
8	1513187-0441	5" Starec wheel, arctic blue		2
8	1513187-0444	5" Starec wheel, copper glaze	2012-05-14 → 2014-12-31	2
8	1513187-0400	5" Starec wheel, techno-anthrazit		2
8	1513187-0404	5" Starec wheel, b-blue	2012-05-14 → 2014-12-31	2

**Front wheels**

Pos.	Part number	Description	Valid from → until	Qty
8	1513187-0004	5" Starec wheel, black anodized		2
9	1562628	6" Everyday wheel, 3 spokes, black <i>Replaces 1513190</i>	2012-07-01 →	2
10	1420972	Axle set complete 3" Sport / 4" and 5" Starec / 4" Skater wheel		2
11	1570108	Axle set without spacer		2
12	1570104	Ball bearing 608-2RS 8/22*7, pair		2
13	1570105	Ball bearing 6000-2RS, pair		2
14	SP1638074	6" Comfort wheel, black PU, pair	2017-01-01 →	1
15	SP1638082	4" x1.42 (36mm) FrogLegs EPIC Aluminum Wide Softroll Caster - Black hub		2
16	SP1638083	4" x1.42 (36mm) FrogLegs EPIC Aluminum Wide Softroll Caster - Silver hub		2
17	SP1638084	5" x1.42 (36mm) FrogLegs EPIC Aluminum Wide Softroll Caster - Black hub		2
18	SP1638085	5" x1.42 (36mm) FrogLegs EPIC Aluminum Wide Softroll Caster - Silver hub		2
19	SP1638076	Axle set complete 4" and 5" FrogLegs wheels		2

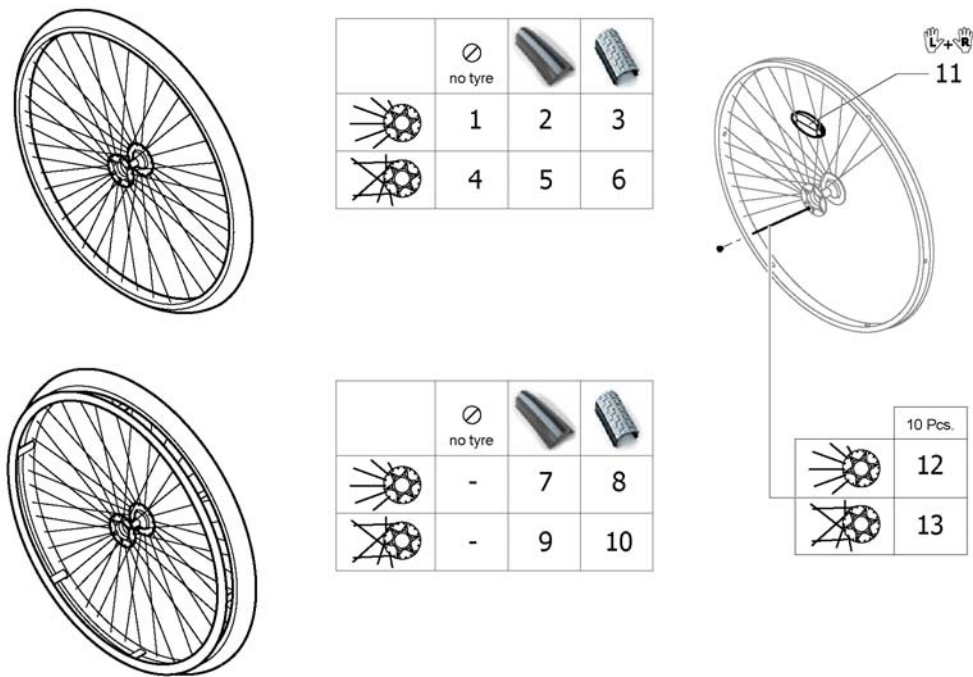
# REAR WHEELS



Pos.	Part number	Description	Valid from → until	Qty
1	-	22" Küschall rear wheels complete	2012-05-14 → 2013-12-31	1
2	-	24" Küschall rear wheels complete		1
3	-	26" Küschall rear wheels complete		1
4	-	High Performance wheel		1
5	-	Mountainbike wheel		1
6	-	Ultra-light fibre wheel	2012-05-14 → 2013-12-31	1
7	-	Spinerger wheel	2012-05-14 → 2013-12-31	1
8	-	Spinerger LXX wheel	2014-01-01 →	1
9	-	Hub brake wheel	2013-07-01 →	1
10	-	Handrim		1
11	-	Tyre		1
12	-	Spokes guard		1
13	-	Quick release axle and bearing		1



## 22" Küschall rear wheels complete

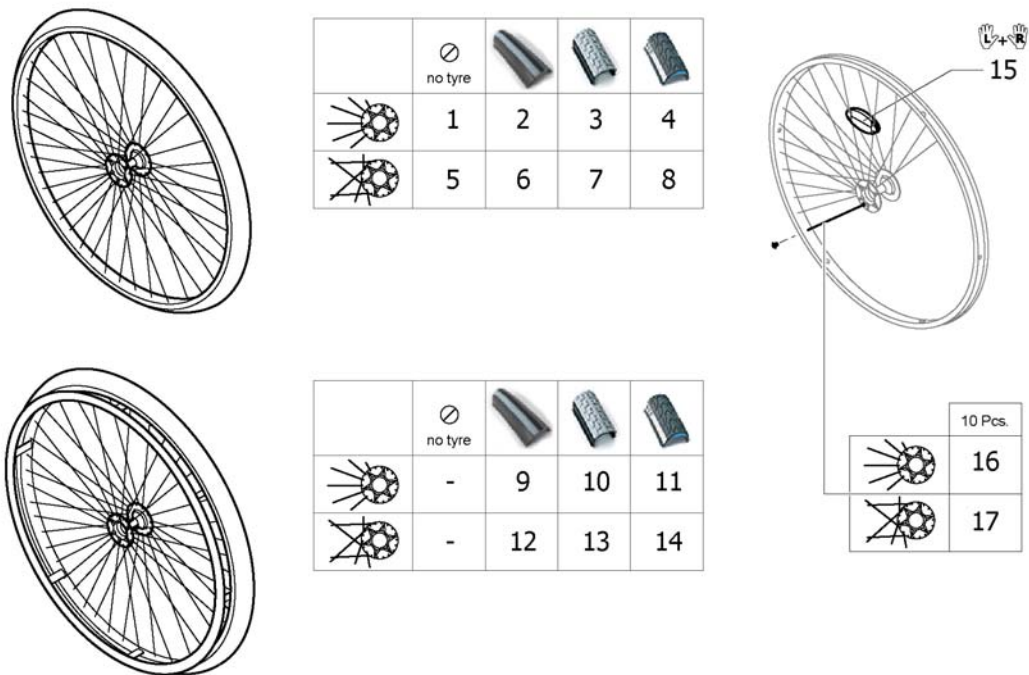


Pos.	Part number	Description	Valid from → until	Qty
1	1559082-0407	Rear wheel 22" Starec R, colourless, without handrim, without tyre	2012-05-14 → 2013-12-31	2
1	1559082-0001	Rear wheel 22" Starec R, chrome, without handrim, without tyre	2012-05-14 → 2013-12-31	2
1	1559082-0182	Rear wheel 22" Starec R, champagne, without handrim, without tyre	2013-01-01 → 2013-12-31	2
1	1559082-0183	Rear wheel 22" Starec R, olive, without handrim, without tyre	2013-01-01 → 2013-12-31	2
1	1559082-0400	Rear wheel 22" Starec R, tecno, without handrim, without tyre	2012-05-14 → 2013-12-31	2
1	1559082-0404	Rear wheel 22" Starec R, b-blue, without handrim, without tyre	2012-05-14 → 2013-12-31	2
1	1559082-0440	Rear wheel 22" Starec R, comet red, without handrim, without tyre	2012-05-14 → 2013-12-31	2
1	1559082-0441	Rear wheel 22" Starec R, arctic blue, without handrim, without tyre	2012-05-14 → 2013-12-31	2
1	1559082-0444	Rear wheel 22" Starec R, coppber glaze, without handrim, without tyre	2012-05-14 → 2013-12-31	2
2	SP1601740	Rear wheel 22", Starec hub R, without handrim, Rightrun black/grey	2012-05-14 → 2013-12-31	2
		<i>Replaces 904.1195</i>		
3	904.1158	Rear wheel 22", Starec hub R, without handrim, Tread	2012-05-14 → 2013-12-31	2
4	1559083-0407	Rear wheel 22", Starec X, colourless, without handrim, without tyre	2012-05-14 → 2013-12-31	2
4	1559083-0001	Rear wheel 22", Starec X, chrome, without handrim, without tyre	2012-05-14 → 2013-12-31	2
4	1559083-0182	Rear wheel 22", Starec X, champagne, without handrim, without tyre	2013-01-01 → 2013-12-31	2
4	1559083-0183	Rear wheel 22" Starec X, olive, without handrim, without tyre	2013-01-01 → 2013-12-31	2
4	1559083-0400	Rear wheel 22" Starec X, Tecno, without handrim, without tyre	2012-05-14 → 2013-12-31	2
4	1559083-0404	Rear wheel 22" Starec X, B-blue, without handrim, without tyre	2012-05-14 → 2013-12-31	2

**22" Küschall rear wheels complete**

Pos.	Part number	Description	Valid from → until	Qty
4	1559083-0440	Rear wheel 22" Starec X, Comet red, without handrim, without tyre	2012-05-14 → 2013-12-31	2
4	1559083-0441	Rear wheel 22" Starec X, arctic blue, without handrim, without tyre	2012-05-14 → 2013-12-31	2
4	1559083-0444	Rear wheel 22" Starec X, copper glaze, without handrim, without tyre	2012-05-14 → 2013-12-31	2
5	SP1601741	Rear wheel 22", Starec hub X, without handrim, Rightrun black/grey <i>Replaces 904.1189</i>	2012-05-14 → 2013-12-31	2
6	904.1139	Rear wheel 22", Starec hub X, without handrim, Tread	2012-05-14 → 2013-12-31	2
7	SP1601861	Rear wheel 22", Starec hub R, handrim aluminium black, Rightrun black/grey <i>Replaces 1562657</i>	2012-05-14 → 2013-12-31	2
8	1562658	Rear wheel 22", Starec hub R, handrim aluminium black, Tread	2012-05-14 → 2013-12-31	2
9	SP1601860	Rear wheel 22", Starec hub X, handrim aluminium black, Rightrun black/grey <i>Replaces 1562655</i>	2012-05-14 → 2013-12-31	2
10	1562656	Rear wheel 22", Starec hub X, handrim aluminium black, Tread	2012-05-14 → 2013-12-31	2
11	1571073	Spokereflection, pair <i>Replaces 220.1033</i>	2012-05-14 → 2013-12-31	1
12	1579081	Spokes 211mm complete, kit 10 Pcs.	2012-05-14 → 2013-12-31	1
13	1579082	Spokes 228mm complete, kit 10 Pcs.	2012-05-14 → 2013-12-31	1

## 24" Küschall rear wheels complete



Pos.	Part number	Description	Valid from → until	Qty
1	1567103-0407	Rear wheel 24" Starec R, colourless, without handrim, without tyre <i>Replaces 904.1082</i>	2012-05-14 → 2014-12-31	2
1	1567103-0001	Rear wheel 24" Starec R, chrome, without handrim, without tyre <i>Replaces 904.1082-0001</i>	2012-05-14 → 2014-12-31	2
1	1567103-0182	Rear wheel 24" Starec R, champagne, without handrim, without tyre	2013-01-01 → 2014-12-31	2
1	1567103-0183	Rear wheel 24" Starec R, olive, without handrim, without tyre	2013-01-01 → 2014-12-31	2
1	1567103-0400	Rear wheel 24" Starec R, tecno, without handrim, without tyre <i>Replaces 904.1082.950</i>	2012-05-14 → 2014-12-31	2
1	1567103-0404	Rear wheel 24" Starec R, b-blue, without handrim, without tyre <i>Replaces 904.1082.957</i>	2012-05-14 → 2014-12-31	2
1	1567103-0440	Rear wheel 24" Starec R, comet red, without handrim, without tyre <i>Replaces 904.1082-0440</i>	2012-05-14 → 2014-12-31	2
1	1567103-0441	Rear wheel 24" Starec R, arctic blue, without handrim, without tyre <i>Replaces 904.1082-0441</i>	2012-05-14 → 2014-12-31	2
1	1567103-0444	Rear wheel 24" Starec R, copper glaze, without handrim, without tyre <i>Replaces 904.1082-0444</i>	2012-05-14 → 2014-12-31	2
2	SP1601744	Rear wheel 24", Starec hub R, without handrim, Rightrun black/grey <i>Replaces 904.1161</i>	2012-05-14 → 2014-12-31	2
3	904.1160	Rear wheel 24", Starec hub R, without handrim, Tread	2012-05-14 → 2014-12-31	2
4	1554397-0407	Rear wheel 24", Starec R, colourless, without handrim, marathon evolution	2012-05-14 → 2014-12-31	2
4	1554397-0001	Rear wheel 24" Starec R, chrome, without handrim, marathon evolution	2012-05-14 → 2014-12-31	2
4	1554397-0182	Rear wheel 24" Starec R, champagne, without handrim, marathon evolution	2013-01-01 → 2014-12-31	2

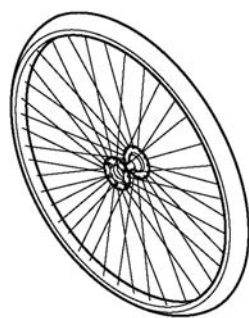
**24" Küschall rear wheels complete**

Pos.	Part number	Description	Valid from → until	Qty
4	1554397-0183	Rear wheel 24" Starec R, olive, without handrim, marathon evolution	2013-01-01 → 2014-12-31	2
4	1554397-0400	Rear wheel 24" Starec R, tecno, without handrim, marathon evolution	2012-05-14 → 2014-12-31	2
4	1554397-0404	Rear wheel 24" Starec R, b-blue, without handrim, marathon evolution	2012-05-14 → 2014-12-31	2
4	1554397-0440	Rear wheel 24" Starec R, comet red, without handrim, marathon evolution	2012-05-14 → 2014-12-31	2
4	1554397-0441	Rear wheel 24" Starec R, arctic blue, without handrim, marathon evolution	2012-05-14 → 2014-12-31	2
4	1554397-0444	Rear wheel 24" Starec R, coppfer glaze, without handrim, marathon evolution	2012-05-14 → 2014-12-31	2
5	1567104-0407	Rear wheel 24", Starec X, colourless, without handrim, without tyre <i>Replaces 1416885</i>		2
5	1567104-0001	Rear wheel 24", Starec X, chrome, without handrim, without tyre <i>Replaces 904.1132-0001</i>		2
5	1567104-0182	Rear wheel 24", Starec X, champagne, without handrim, without tyre	2013-01-01 →	2
5	1567104-0183	Rear wheel 24" Starec X, olive, without handrim, without tyre	2013-01-01 → 2014-12-31	2
5	1567104-0400	Rear wheel 24" Starec X, Tecno, without handrim, without tyre <i>Replaces 904.1132.950</i>		2
5	1567104-0404	Rear wheel 24" Starec X, B-blue, without handrim, without tyre <i>Replaces 904.1132.957</i>	2012-05-14 → 2014-12-31	2
5	1567104-0440	Rear wheel 24" Starec X, Comet red, without handrim, without tyre <i>Replaces 904.1132-0440</i>		2
5	1567104-0441	Rear wheel 24" Starec X, arctic blue, without handrim, without tyre <i>Replaces 904.1132-0441</i>		2
5	1567104-0444	Rear wheel 24" Starec X, copper glaze, without handrim, without tyre <i>Replaces 904.1132-0444</i>	2012-05-14 → 2014-12-31	2
6	SP1601745	Rear wheel 24", Starec hub X, without handrim, Rightrun black/grey tyre <i>Replaces 1570471</i>		2
7	904.1141	Rear wheel 24", Starec hub X, without handrim, Tread		2
8	1554399-0407	Rear wheel 24", Starec X, colourless, without handrim, marathon		2
8	1554399-0001	Rear wheel 24" Starec X, chrome, without handrim, marathon evolution		2
8	1554399-0182	Rear wheel 24" Starec X, champagne, without handrim, marathon evolution	2013-01-01 →	2
8	1554399-0183	Rear wheel 24" Starec X, olive, without handrim, marathon evolution	2013-01-01 → 2014-12-31	2
8	1554399-0400	Rear wheel 24" Starec X, tecno, without handrim, marathon evolution		2
8	1554399-0404	Rear wheel 24" Starec X, b-blue, without handrim, marathon evolution	2012-05-14 → 2014-12-31	2
8	1554399-0440	Rear wheel 24" Starec X, comet red, without handrim, marathon evolution		2
8	1554399-0441	Rear wheel 24" Starec X, arctic blue, without handrim, marathon evolution		2
8	1554399-0444	Rear wheel 24" Starec X, coppfer glaze, without handrim, marathon evolution	2012-05-14 → 2014-12-31	2
9	SP1601865	Rear wheel 24", Starec hub R, handrim aluminium black, Rightrun black/grey <i>Replaces 1562661</i>	2012-05-14 → 2014-12-31	2
10	1562662	Rear wheel 24", Starec hub R, handrim aluminium black, Tread	2012-05-14 → 2014-12-31	2
11	1554398-0407	Rear wheel 24", Starec R, colourless, handrim, marathon evolution	2012-05-14 → 2014-12-31	2
11	1554398-0001	Rear wheel 24" Starec R, chrome, handrim, marathon evolution	2012-05-14 → 2014-12-31	2
11	1554398-0182	Rear wheel 24" Starec R, champagne, handrim, marathon evolution	2013-01-01 → 2014-12-31	2
11	1554398-0183	Rear wheel 24" Starec R, olive, handrim, marathon evolution	2013-01-01 → 2014-12-31	2
11	1554398-0400	Rear wheel 24" Starec R, tecno, handrim, marathon evolution	2012-05-14 → 2014-12-31	2

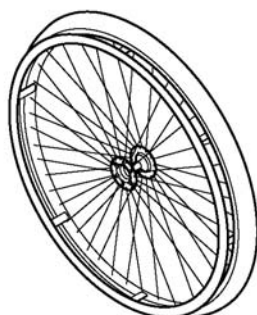
**24" Küschall rear wheels complete**

Pos.	Part number	Description	Valid from → until	Qty
11	1554398-0404	Rear wheel 24" Starec R, b-blue, handrim, marathon evolution	2012-05-14 → 2014-12-31	2
11	1554398-0440	Rear wheel 24" Starec R, comet red, handrim, marathon evolution	2012-05-14 → 2014-12-31	2
11	1554398-0441	Rear wheel 24" Starec R, arctic blue, handrim, marathon evolution	2012-05-14 → 2014-12-31	2
11	1554398-0444	Rear wheel 24" Starec R, copper glaze, handrim, marathon evolution	2012-05-14 → 2014-12-31	2
12	SP1601864	Rear wheel 24", Starec hub X, handrim aluminium black, Rightrun black/grey <i>Replaces 1562659</i>		2
13	1562660	Rear wheel 24", Starec hub X, handrim aluminium black, Tread		2
14	1554400-0407	Rear wheel 24", Starec X, colourless, handrim, marathon evolution		2
14	1554400-0001	Rear wheel 24" Starec X, chrome, handrim, marathon evolution		2
14	1554400-0182	Rear wheel 24" Starec X, champagne, handrim, marathon evolution	2013-01-01 →	2
14	1554400-0183	Rear wheel 24" Starec X, olive, handrim, marathon evolution	2013-01-01 → 2014-12-31	2
14	1554400-0400	Rear wheel 24" Starec X, tecno, handrim, marathon evolution		2
14	1554400-0404	Rear wheel 24" Starec X, b-blue, handrim, marathon evolution	2012-05-14 → 2014-12-31	2
14	1554400-0440	Rear wheel 24" Starec X, comet red, handrim, marathon evolution		2
14	1554400-0441	Rear wheel 24" Starec X, arctic blue, handrim, marathon evolution		2
14	1554400-0444	Rear wheel 24" Starec X, copper glaze, handrim, marathon evolution	2012-05-14 → 2014-12-31	2
15	1571073	Spokereflection, pair <i>Replaces 220.1033</i>		1
16	1579084	Spokes 238mm complete, kit 10 Pcs.	2012-05-14 → 2014-12-31	1
17	1579086	Spokes 253mm complete, kit 10 Pcs.		1

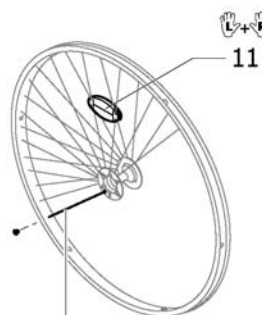
## 26" Küschall rear wheels complete



	no tyre		
	1	2	3
	4	5	6



	no tyre		
	-	7	8
	-	9	10



	10 Pcs.
	12
	13

Pos.	Part number	Description	Valid from → until	Qty
1	1567098-0407	Rear wheel 26" Starec R, colourless, without handrim, without tyre <i>Replaces 904.1083</i>	2012-05-14 → 2014-12-31	2
1	1567098-0001	Rear wheel 26" Starec R, chrome, without handrim, without tyre <i>Replaces 904.1083-0001</i>	2012-05-14 → 2014-12-31	2
1	1567098-0182	Rear wheel 26" Starec R, champagne, without handrim, without tyre	2013-01-01 → 2014-12-31	2
1	1567098-0183	Rear wheel 26" Starec R, olive, without handrim, without tyre	2013-01-01 → 2014-12-31	2
1	1567098-0400	Rear wheel 26" Starec R, tecno, without handrim, without tyre <i>Replaces 904.1083.950</i>	2012-05-14 → 2014-12-31	2
1	1567098-0404	Rear wheel 26" Starec R, b-blue, without handrim, without tyre <i>Replaces 904.1083.957</i>	2012-05-14 → 2014-12-31	2
1	1567098-0440	Rear wheel 26" Starec R, comet red, without handrim, without tyre <i>Replaces 904.1083-0440</i>	2012-05-14 → 2014-12-31	2
1	1567098-0441	Rear wheel 26" Starec R, arctic blue, without handrim, without tyre <i>Replaces 904.1083-0441</i>	2012-05-14 → 2014-12-31	2
1	1567098-0444	Rear wheel 26" Starec R, copper glaze, without handrim, without tyre <i>Replaces 904.1083-0444</i>	2012-05-14 → 2014-12-31	2
2	SP1601748	Rear wheel 26", Starec hub R, without handrim, Rightrun black/grey <i>Replaces 904.1196</i>	2012-05-14 → 2014-12-31	2
3	1554401-0407	Rear wheel 26", Starec R, colourless, without handrim, marathon evolution	2012-05-14 → 2014-12-31	2
3	1554401-0001	Rear wheel 26" Starec R, chrome, without handrim, marathon evolution	2012-05-14 → 2014-12-31	2
3	1554401-0182	Rear wheel 26" Starec R, champagne, without handrim, marathon evolution	2013-01-01 → 2014-12-31	2
3	1554401-0183	Rear wheel 26" Starec R, olive, without handrim, marathon evolution	2013-01-01 → 2014-12-31	2

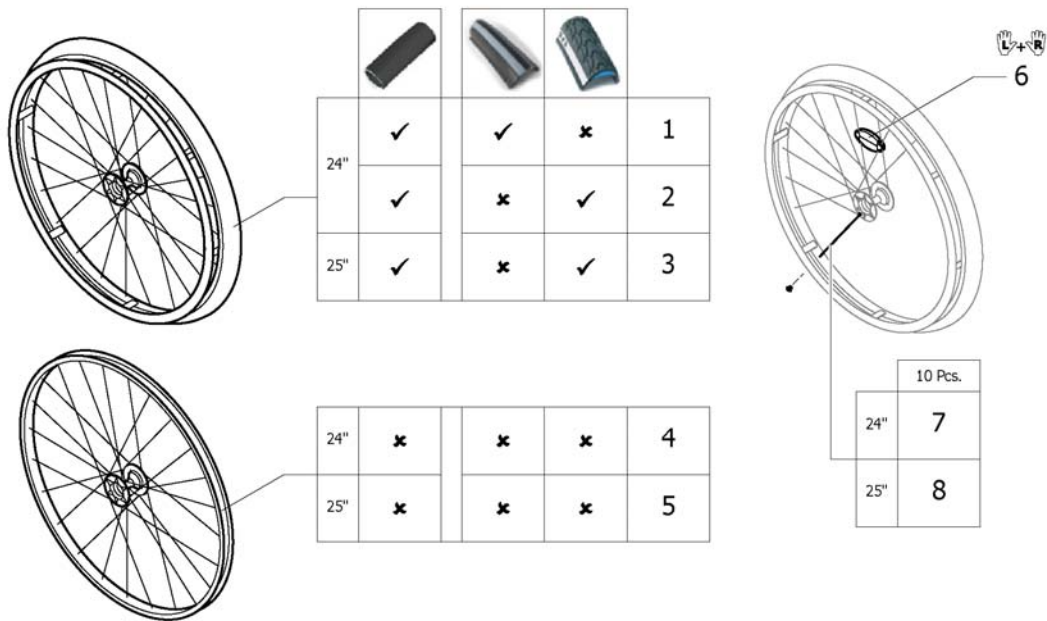
## 26" Küschall rear wheels complete

Pos.	Part number	Description	Valid from → until	Qty
3	1554401-0400	Rear wheel 26" Starec R, tecno, without handrim, marathon evolution	2012-05-14 → 2014-12-31	2
3	1554401-0404	Rear wheel 26" Starec R, b-blue, without handrim, marathon evolution	2012-05-14 → 2014-12-31	2
3	1554401-0440	Rear wheel 26" Starec R, comet red, without handrim, marathon evolution	2012-05-14 → 2014-12-31	2
3	1554401-0441	Rear wheel 26" Starec R, arctic blue, without handrim, marathon evolution	2012-05-14 → 2014-12-31	2
3	1554401-0444	Rear wheel 26" Starec R, coppfer glaze, without handrim, marathon evolution	2012-05-14 → 2014-12-31	2
4	1567099-0407	Rear wheel 26", Starec X, colourless, without handrim, without tyre <i>Replaces 904.1133</i>		2
4	1567099-0001	Rear wheel 26", Starec X, chrome, without handrim, without tyre <i>Replaces 904.1133-0001</i>		2
4	1567099-0182	Rear wheel 26", Starec X, champagne, without handrim, without tyre	2013-01-01 →	2
4	1567099-0183	Rear wheel 26" Starec X, olive, without handrim, without tyre	2013-01-01 → 2014-12-31	2
4	1567099-0400	Rear wheel 26" Starec X, Tecno, without handrim, without tyre <i>Replaces 904.1133.950</i>		2
4	1567099-0404	Rear wheel 26" Starec X, B-blue, without handrim, without tyre <i>Replaces 904.1133.957</i>	2012-05-14 → 2014-12-31	2
4	1567099-0440	Rear wheel 26" Starec X, Comet red, without handrim, without tyre <i>Replaces 904.1133-0440</i>		2
4	1567099-0441	Rear wheel 26" Starec X, arctic blue, without handrim, without tyre <i>Replaces 904.1133-0441</i>		2
4	1567099-0444	Rear wheel 26" Starec X, copper glaze, without handrim, without tyre <i>Replaces 904.1133-0444</i>	2012-05-14 → 2014-12-31	2
5	SP1601749	Rear wheel 26", Starec hub X, without handrim, Rightrun black/grey <i>Replaces 904.1190</i>		2
6	1554403-0407	Rear wheel 26", Starec X, colourless, without handrim, marathon		2
6	1554403-0001	Rear wheel 26" Starec X, chrome, without handrim, marathon evolution		2
6	1554403-0182	Rear wheel 26" Starec X, champagne, without handrim, marathon evolution	2013-01-01 →	2
6	1554403-0183	Rear wheel 26" Starec X, olive, without handrim, marathon evolution	2013-01-01 → 2014-12-31	2
6	1554403-0400	Rear wheel 26" Starec X, tecno, without handrim, marathon evolution		2
6	1554403-0404	Rear wheel 26" Starec X, b-blue, without handrim, marathon evolution	2012-05-14 → 2014-12-31	2
6	1554403-0440	Rear wheel 26" Starec X, comet red, without handrim, marathon evolution		2
6	1554403-0441	Rear wheel 26" Starec X, arctic blue, without handrim, marathon evolution		2
6	1554403-0444	Rear wheel 26" Starec X, coppfer glaze, without handrim, marathon evolution	2012-05-14 → 2014-12-31	2
7	SP1601867	Rear wheel 26", Starec hub R, handrim aluminium black, Rightrun black/grey <i>Replaces 1562664</i>	2012-05-14 → 2014-12-31	2
8	1554402-0407	Rear wheel 26", Starec R, colourless, handrim, marathon evolution	2012-05-14 → 2014-12-31	2
8	1554402-0001	Rear wheel 26" Starec R, chrome, handrim, marathon evolution	2012-05-14 → 2014-12-31	2
8	1554402-0182	Rear wheel 26" Starec R, champagne, handrim, marathon evolution	2013-01-01 → 2014-12-31	2
8	1554402-0183	Rear wheel 26" Starec R, olive, handrim, marathon evolution	2013-01-01 → 2014-12-31	2
8	1554402-0400	Rear wheel 26" Starec R, tecno, handrim, marathon evolution	2012-05-14 → 2014-12-31	2
8	1554402-0404	Rear wheel 26" Starec R, b-blue, handrim, marathon evolution	2012-05-14 → 2014-12-31	2
8	1554402-0440	Rear wheel 26" Starec R, comet red, handrim, marathon evolution	2012-05-14 → 2014-12-31	2
8	1554402-0441	Rear wheel 26" Starec R, arctic blue, handrim, marathon evolution	2012-05-14 → 2014-12-31	2

**26" Küschall rear wheels complete**

Pos.	Part number	Description	Valid from → until	Qty
8	1554402-0444	Rear wheel 26" Starec R, coppber glaze, handrim, marathon evolution	2012-05-14 → 2014-12-31	2
9	SP1601866	Rear wheel 26", Starec hub X, handrim aluminium black, Rightrun black/grey <i>Replaces 1562663</i>		2
10	1554417-0407	Rear wheel 26", Starec X, colourless, handrim, marathon evolution		2
10	1554417-0001	Rear wheel 26" Starec X, chrome, handrim, marathon evolution		2
10	1554417-0182	Rear wheel 26" Starec X, champagne, handrim, marathon evolution	2013-01-01 →	2
10	1554417-0183	Rear wheel 26" Starec X, olive, handrim, marathon evolution	2013-01-01 → 2014-12-31	2
10	1554417-0400	Rear wheel 26" Starec X, tecno, handrim, marathon evolution		2
10	1554417-0404	Rear wheel 26" Starec X, b-blue, handrim, marathon evolution	2012-05-14 → 2014-12-31	2
10	1554417-0440	Rear wheel 26" Starec X, comet red, handrim, marathon evolution		2
10	1554417-0441	Rear wheel 26" Starec X, arctic blue, handrim, marathon evolution		2
10	1554417-0444	Rear wheel 26" Starec X, coppber glaze, handrim, marathon evolution	2012-05-14 → 2014-12-31	2
11	1571073	Spokereflection, pair <i>Replaces 220.1033</i>		1
12	1579089	Spokes 262mm complete, kit 10 Pcs.	2012-05-14 → 2014-12-31	1
13	1579090	Spokes 278mm complete, kit 10 Pcs.		1



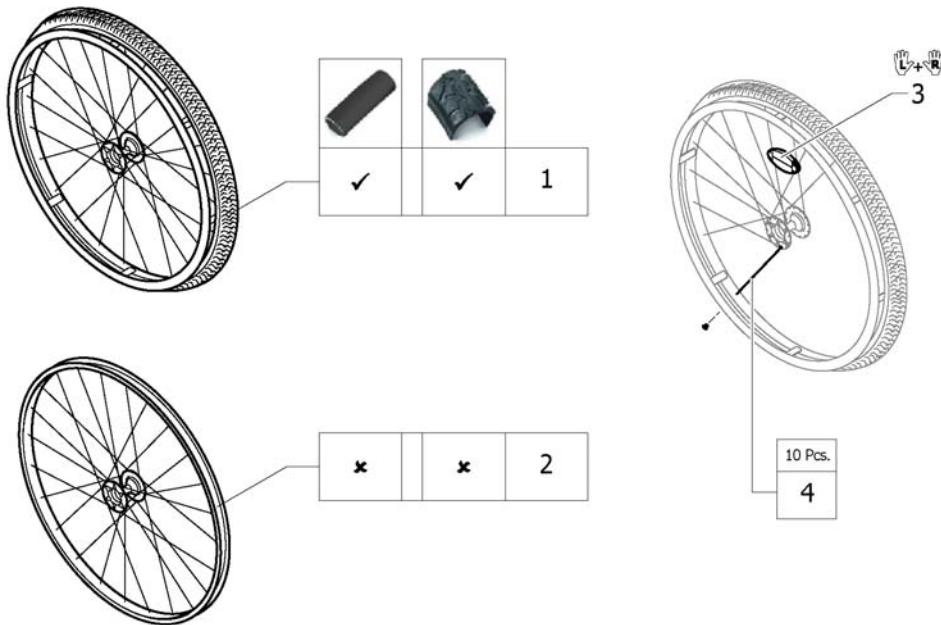


Pos.	Part number	Description	Valid from → until	Qty
1	SP1601752-0004	Rear wheel 24" High Performance black anodized, handrim alu black, Rightrun black/grey <i>Replaces 1562668-0004</i>		2
1	SP1601752-0001	Rear wheel 24" High Performance chrome, handrim alu black, Rightrun black/ grey <i>Replaces 1562668-0001</i>		2
1	SP1601752-0182	Rear wheel 24" High Performance champagne, handrim alu black, Rightrun black/grey <i>Replaces 1562668-0182</i>	2013-01-01 →	2
1	SP1601752-0183	Rear wheel 24" High Performance olive, handrim alu black, Rightrun black/ grey <i>Replaces 1562668-0183</i>	2013-01-01 → 2014-12-31	2
1	SP1601752-0400	Rear wheel 24" High Performance techno-anthracite, handrim alu black, Righ run black/grey <i>Replaces 1562668-0400</i>		2
1	SP1601752-0404	Rear wheel 24" High Performance b-blue, handrim alu black, Rightrun black/ grey <i>Replaces 1562668-0404</i>	2012-05-14 → 2014-12-31	2
1	SP1601752-0440	Rear wheel 24" High Performance comet red, handrim alu black, Rightrun black/grey <i>Replaces 1562668-0440</i>		2
1	SP1601752-0441	Rear wheel 24" High Performance arctic blue, handrim alu black, Rightrun black/grey <i>Replaces 1562668-0441</i>		2
1	SP1601752-0444	Rear wheel 24" High Performance copper glaze, handrim alu black, Rightrun black/grey <i>Replaces 1562668-0444</i>	2012-05-14 → 2014-12-31	2
2	1562670-0004	Wheel 24", High Performance, black, handrim aluminium black, tyre Marathon Evolution		2
2	1562670-0001	Wheel 24", High Performance, chrome, handrim aluminium black, tyre Marathon Evolution		2
2	1562670-0182	Wheel 24", High Performance, champagne, handrim aluminium black, tyre Marathon Evolution	2013-01-01 →	2
2	1562670-0183	Wheel 24", High Performance, olive, handrim aluminium black, tyre Marathon Evolution	2013-01-01 → 2014-12-31	2
2	1562670-0400	Wheel 24", High Performance, techno-anthracite, handrim aluminium black, tyre Marathon Evolution		2

## High Performance wheel

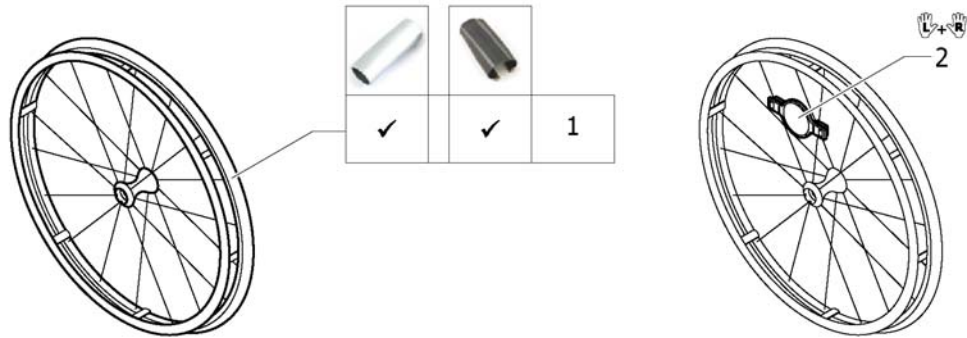
Pos.	Part number	Description	Valid from → until	Qty
2	1562670-0404	Wheel 24", High Performance, b-blue, handrim aluminium black, tyre Marathon Evolution	2012-05-14 → 2014-12-31	2
2	1562670-0440	Wheel 24", High Performance, comet red, handrim aluminium black, tyre Marathon Evolution		2
2	1562670-0441	Wheel 24", High Performance, arctic blue, handrim aluminium black, tyre Marathon Evolution		2
2	1562670-0444	Wheel 24", High Performance, copper glaze, handrim aluminium black, tyre Marathon Evolution	2012-05-14 → 2014-12-31	2
3	1562669-0004	Wheel 25", High Performance, black, handrim aluminium black, tyre Marathon Evolution		2
3	1562669-0001	Wheel 25", High Performance, chrome, handrim aluminium black, tyre Marathon Evolution		2
3	1562669-0182	Wheel 25", High Performance, champagne, handrim aluminium black, tyre Marathon Evolution	2013-01-01 →	2
3	1562669-0183	Wheel 25", High Performance, olive, handrim aluminium black, tyre Marathon Evolution	2013-01-01 → 2014-12-31	2
3	1562669-0400	Wheel 25", High Performance, techno-anthracite, handrim aluminium black, tyre Marathon Evolution		2
3	1562669-0404	Wheel 25", High Performance, b-blue, handrim aluminium black, tyre Marathon Evolution	2012-05-14 → 2014-12-31	2
3	1562669-0440	Wheel 25", High Performance, comet red, handrim aluminium black, tyre Marathon Evolution		2
3	1562669-0441	Wheel 25", High Performance, arctic blue, handrim aluminium black, tyre Marathon Evolution		2
3	1562669-0444	Wheel 25", High Performance, copper glaze, handrim aluminium black, tyre Marathon Evolution	2012-05-14 → 2014-12-31	2
4	1517723-0004	Wheel 24", High Performance, black, without handrim, without tyre		2
4	1517723-0001	Wheel 24", High Performance, chrome, without handrim, without tyre		2
4	1517723-0182	Wheel 24", High Performance, champagne, without handrim, without tyre	2013-01-01 →	2
4	1517723-0183	Wheel 24", High Performance, olive, without handrim, without tyre	2013-01-01 → 2014-12-31	2
4	1517723-0400	Wheel 24", High Performance, techno-anthracite, without handrim, without tyre		2
4	1517723-0404	Wheel 24", High Performance, b-blue, without handrim, without tyre	2012-05-14 → 2014-12-31	2
4	1517723-0440	Wheel 24", High Performance, comet red, without handrim, without tyre		2
4	1517723-0441	Wheel 24", High Performance, arctic blue, without handrim, without tyre		2
4	1517723-0444	Wheel 24", High Performance, copper glaze, without handrim, without tyre	2012-05-14 → 2014-12-31	2
5	1562937-0004	Wheel 25", High Performance, black, without handrim, without tyre		2
5	1562937-0001	Wheel 25", High Performance, chrome, without handrim, without tyre		2
5	1562937-0182	Wheel 25", High Performance, champagne, without handrim, without tyre	2013-01-01 →	2
5	1562937-0183	Wheel 25", High Performance, olive, without handrim, without tyre	2013-01-01 → 2014-12-31	2
5	1562937-0400	Wheel 25", High Performance, techno-anthrac., without handrim, without tyre		2
5	1562937-0404	Wheel 25", High Performance, b-blue, without handrim, without tyre	2012-05-14 → 2014-12-31	2
5	1562937-0440	Wheel 25", High Performance, comet red, without handrim, without tyre		2
5	1562937-0441	Wheel 25", High Performance, arctic blue, without handrim, without tyre		2
5	1562937-0444	Wheel 25", High Performance, copper glaze, without handrim, without tyre	2012-05-14 → 2014-12-31	2
6	1571073	Spokereflection, pair <i>Replaces 220.1033</i>		1
7	1578867	Spokes kit for High Performance wheel 24", 10 Pcs.		1
8	1578868	Spokes kit for High Performance wheel 25", 10 Pcs.		1

# Mountainbike wheel



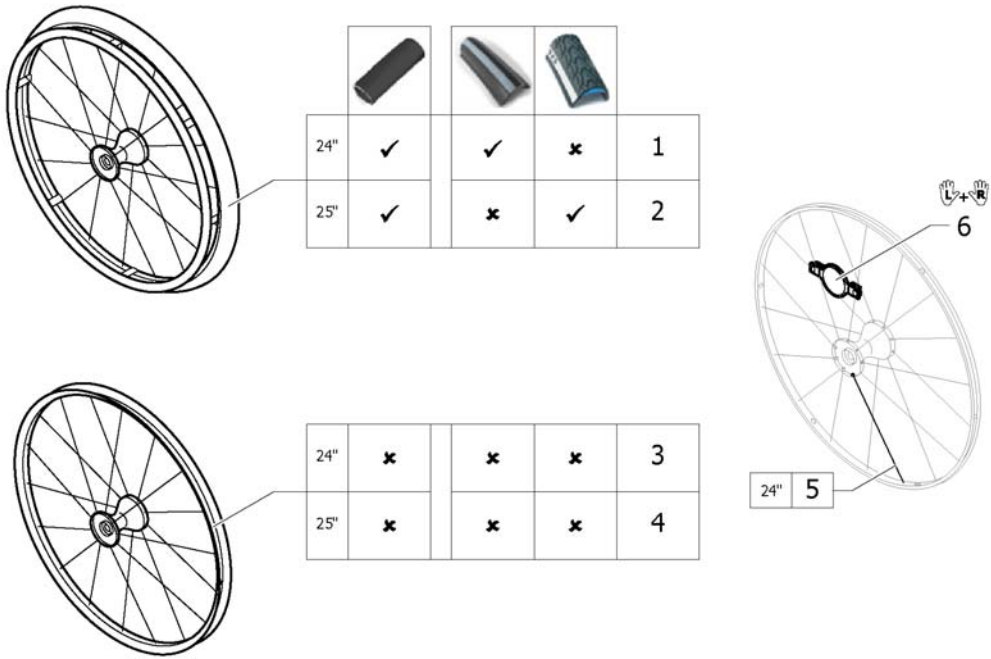
Pos.	Part number	Description	Valid from → until	Qty
1	1562665	Rear wheel 24", Mountain Bike, handrim aluminium black, tyre MTB		2
2	1529327	Rear wheel Mountain Bike 24", without handrim, without tyre		2
3	1571073	Spokereflection, pair <i>Replaces 220.1033</i>		1
4	1579085	Spokes kit for Mountain Bike wheel, 10 Pcs.		1

# Ultra-light fibre wheel



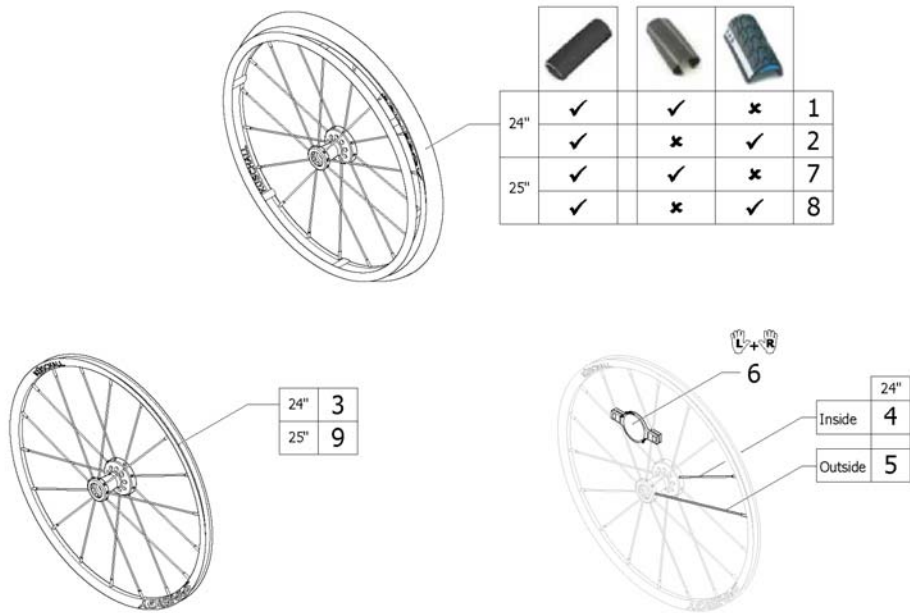
Pos.	Part number	Description	Valid from → until	Qty
1	1578804	Ultra-light fibre wheel with tyre Schwalbe One <i>Replaces 1547628</i>	2013-11-20 → 2013-12-31	2
2	1571088	Spoke reflection for Spinergy wheel, pair <i>Replaces 1451931</i>		1

# Spinergy wheel



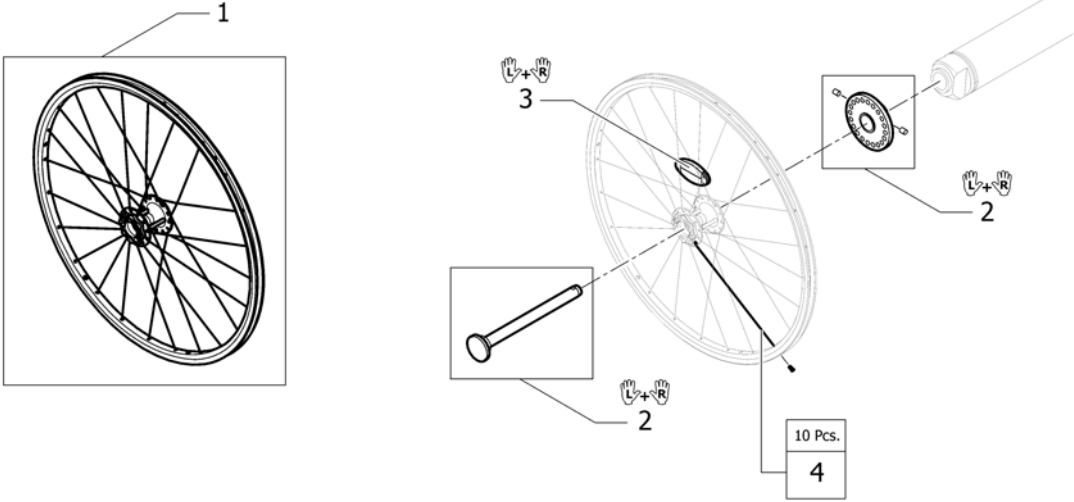
Pos.	Part number	Description	Valid from → until	Qty
1	SP1601753	Rear wheel 24" Spinergy, handrim alu black, Righrun black/grey <i>Replaces 1562666</i>	2012-05-14 → 2013-12-31	2
2	1562667	Rear wheel 25", Spinergy, handrim aluminium black, tyre Mararthon Evolution	2012-05-14 → 2013-12-31	2
3	1570426	Rear wheel 24", Spinergy, without handrim, without tyre	2012-05-14 → 2013-12-31	2
4	1525128	Rear wheel 25", Spinergy, without handrim, without tyre	2012-05-14 → 2013-12-31	2
5	1579092	Spoke for Spinergy wheel 24", 1 Pcs.	2012-05-14 → 2013-12-31	36
6	1571088	Spoke reflection for Spinergy wheel, pair <i>Replaces 1451931</i>	2012-05-14 → 2013-12-31	2

# Spinergy LXX wheel



Pos.	Part number	Description	Valid from → until	Qty
1	1579101	Rear wheel 24", Spinergy LXX, handrim aluminium black, tyre Schwalbe One		2
2	1579105	Rear wheel 24", Spinergy LXX, handrim aluminium black, tyre Marathon Evolution		2
3	1579102	Rear wheel 24", Spinergy LXX, without handrim, without tyre		2
4	1579103	Spoke inside for Spinergy LXX wheel 24", 236mm., 1 Pcs.		9
5	1579104	Spoke outside for Spinergy LXX wheel 24", 249mm., 1 Pcs.		9
6	1571088	Spoke reflection for Spinergy wheel, pair		1
7	SP1638077	Rear wheel 25" Spinergy LXX, handrim aluminium black, tyre Schwalbe One		2
8	SP1638078	Rear wheel 25" Spinergy LXX, handrim aluminium black, tyre Marathon Evolution		2
9	SP1638079	Rear wheel 25" Spinergy LXX, without handrim, without tyre		2

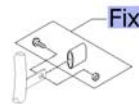
# Hub brake wheel



Pos.	Part number	Description	Valid from → until	Qty
1	1570645	Hub brake wheel 24" without handrim, without tyre		2
2	1570651	Mounting kit with Quickrelease for Hub brake, pair		1
3	1571073	Spokereflection, pair <i>Replaces 220.1033</i>		1
4	1579088	Spokes kit for Hub brake wheel 24", 10 Pcs.		1

# Handrim

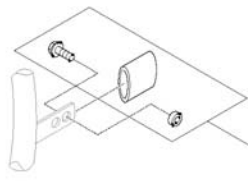
	3cm 4cm	Alu				Alu				Alu			Super-Grip		Carbolife				
		22"	24"	25"	26"	22"	24"	25"	26"	24"	24"	26"	22"	24"	26"	24"	25"		
Küschall wheel	3cm	-	-	-	-	5	6	7	8	9	10	11	12	13	14	15	16	17	18
	4cm	1	2	3	4	-	-	-	-	-	-	-	-	-	-	-	-	-	-
High Performance	3cm	-	-	-	-	6	7	-	-	9	10	-	-	13	-	15	16	17	18
	4cm	-	2	3	-	-	-	-	-	-	-	-	-	-	-	-	-	-	-
Mountainbike	3cm	-	-	-	-	5	-	-	-	-	-	-	12	-	-	-	-	-	-
	4cm	1	-	-	-	-	-	-	-	-	-	-	-	-	-	-	-	-	-
Spinerge	3cm	-	-	-	-	6	7	-	-	9	10	-	-	13	-	15	16	17	18
	4cm	-	2	3	-	-	-	-	-	-	-	-	-	-	-	-	-	-	-
Spinerge LXX	3cm	-	-	-	-	6	-	-	-	9	10	-	-	13	-	15	-	17	18
	4cm	-	2	-	-	-	-	-	-	-	-	-	-	-	-	-	-	-	-
Ultra Light Fibre	3cm	-	-	-	-	6	-	-	-	9	10	-	-	13	-	15	-	17	18
	4cm	-	2	-	-	-	-	-	-	-	-	-	-	-	-	-	-	-	-
Hub brake wheel	3cm	-	-	-	-	6	-	-	-	9	10	-	-	13	-	15	-	17	18
	4cm	-	2	-	-	-	-	-	-	-	-	-	-	-	-	-	-	-	-



Pos.	Part number	Description	Valid from → until	Qty
Fix	-	Fixation handrim		1
1	1568700	Handrim 22" Alu, 4cm <i>Replaces 457.1023</i>		2
2	1568702	Handrim 24" Alu light, colourless anodized, 4cm <i>Replaces 1432287-0005</i>		2
3	1568708	Handrim 25" Alu light for high performance, 4cm <i>Replaces 1420890-0005</i>		2
4	1568709	Handrim 26" Alu, 4cm <i>Replaces 457.1043</i>		2
5	1568713-0411	Handrim 22" Aluminium, black, distance 3cm		2
6	1568714-0411	Handrim 24" Aluminium, black, distance 3cm		2
7	1568730-0411	Handrim 25" Aluminium, black, distance 3cm		2
8	1568731-0411	Handrim 26" Aluminium, black, distance 3cm		2
9	1568716	Handrim 24" Titanium, distance 3cm	2013-07-01 →	2
10	1568715	Handrim 24" steel polished, distance 3cm	2013-07-01 →	2
11	1568777	Handrim 26" steel polished, distance 3cm	2013-07-01 →	2
12	1568701	Handrim 22" Super-Grip <i>Replaces 457.1045.429</i>		2
13	1568703	Handrim 24" Super-Grip <i>Replaces 457.1017.429</i>		2
14	1568710	Handrim 26" Super-Grip <i>Replaces 457.1046.429</i>		2
15	1556916	Handrim 24" LT Surge		2
16	1556917	Handrim 25" LT Surge		2
17	SP1638080	Handrim 24" Carbolife Gekko		2
18	SP1638081	Handrim 24" Carbolife Curve		2



## Fixation handrim

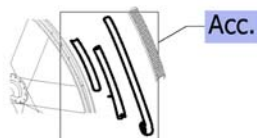


		Aluminium		Titanium		Steel		Supergrip		Surge		Gekko		Curve		
	3cm	-	-	1	1	1	1	1	1	1	3	3	1	1	1	1
	4cm	2	3	-	-	-	-	-	-	-	-	-	-	-	-	-
	3cm	-	-	4	4	4	4	4	4	4	6	4	4	4	4	4
	4cm	5	6	-	-	-	-	-	-	-	-	-	-	-	-	-
	3cm	-	-	7	7	-	-	-	7	7	-	-	-	-	-	-
	4cm	8	9	-	-	-	-	-	-	-	-	-	-	-	-	-
	3cm	-	-	7	-	7	-	7	-	9	-	7	-	7	-	-
	4cm	8	-	-	-	-	-	-	-	-	-	-	-	-	-	-
	3cm	-	-	4	-	4	-	4	-	6	-	4	-	4	-	-
	4cm	5	-	-	-	-	-	-	-	-	-	-	-	-	-	-
	3cm	-	-	4	-	4	-	4	-	6	-	4	-	4	-	-
	4cm	5	-	-	-	-	-	-	-	-	-	-	-	-	-	-
	3cm	4	4	4	4	4	4	4	4	4	6	4	4	4	4	4
	4cm	5	6	-	-	-	-	-	-	-	-	-	-	-	-	-

Pos.	Part number	Description	Valid from → until	Qty
1	1495958	Fixation kit handrim, 3 cm		2
2	1495959	Fixation kit handrim, 4 cm		2
3	1495961	Fixation kit handrim, 4 cm with spokes guard		2
4	1496019	Fixation kit handrim for High Performance wheel, 3 cm		2
5	1496020	Fixation kit handrim for High Performance wheel, 4 cm		2
6	1497111	Fixation kit handrim for High Performance wheel, 4 cm with spokes guard		2
7	1496015	Fixation kit handrim for Mountain bike wheel, 3 cm		2
8	1496016	Fixation kit handrim for Mountain bike wheel, 4 cm		2
9	1496018	Fixation kit handrim for Mountain bike wheel, 4 cm with spokes guard		2

# Tyre

															
	22"	24"	25"	26"	22"	24"	24"	25"	26"	24"	25"	24"	24"	22"	24"
 Küschall Räder	1	4	-	14	2	5	6	-	15	7	-	8	-	3	10
 High Performance	-	4	11	-	-	5	6	12	-	7	13	8	-	-	-
 Mountainbike	-	-	-	-	-	-	-	-	-	-	-	-	9	-	-
 Spinerger	-	4	11	-	-	5	6	12	-	7	13	8	-	-	-
 Spinerger LXX	-	4	-	-	-	5	6	-	-	7	-	8	-	-	-
 Ultra Light Fibre	-	-	-	-	-	-	6	-	-	7	-	-	-	-	-
 Hub brake wheel	-	4	-	-	-	5	6	-	-	7	-	8	-	-	10



Pos.	Part number	Description	Valid from → until	Qty
Acc.	-	Inner tube and rim protector		1
1	SP1590117	Tyre Rightrun black/grey 22" <i>Replaces 1570776</i>	2015-12-29 →	2
2	1570836	Treaded tyre 22" <i>Replaces 1493768</i>	2012-05-14 → 2013-12-31	2
3	1570837	Solid tyre 22", light, grey <i>Replaces 728.1031</i>	2012-05-14 → 2013-12-31	2
4	SP1590118	Tyre Rightrun black/grey 24" <i>Replaces 1570828</i>	2015-12-29 →	2
5	1570829	Treaded Tyre 24" <i>Replaces 728.1002</i>		2
6	1570838	Tyre 24" Marathon Evolution <i>Replaces 1438521</i>		2
7	1578802	Tyre 24" Schwalbe One <i>Replaces 1528649</i>	2013-11-20 →	2
8	1562581	Tyre 24" Rightrun blue		2
9	1570830	Tyre Mountain bike, 24" <i>Replaces 1420887</i>		2
10	1570839	Solid tyre 24", light, grey <i>Replaces 728.1032</i>		2
11	SP1590412	Tyre Rightrun black/grey 25" <i>Replaces 1570833</i>	2015-12-29 →	2
12	1570841	Tyre 25" Marathon Evolution <i>Replaces 1493769</i>		2
13	1578803	Tyre 25" Schwalbe One <i>Replaces 1528650</i>	2013-11-20 →	2
14	SP1590119	Tyre Rightrun black/grey 26" <i>Replaces 1570834</i>	2015-12-29 →	2
15	1570842	Tyre 26" Marathon Evolution <i>Replaces 1517977</i>		2













# Inner tube and rim protector

		22"	24"	25"	26"	22"	24"	24"	25"	26"	24"	25"	24"	24"	22"	24"
	A	1	2	-	6	1	2	2	-	6	2	-	2	-	-	-
	B	7	8	-	10	7	8	8	-	10	8	-	8	-	7	8
	A	-	2	5	-	-	2	2	5	-	2	5	2	-	-	-
	B	-	9	9	-	-	9	9	9	-	9	9	9	-	-	-
	A	-	-	-	-	-	-	-	-	-	-	-	-	4	-	-
	B	-	-	-	-	-	-	-	-	-	-	-	-	7	-	-
	A	-	2	5	-	-	2	2	5	-	2	5	2	-	-	-
	B	-	9	9	-	-	9	9	9	-	9	9	9	-	-	9
	A	-	2	-	-	-	2	2	-	-	2	-	2	-	-	-
	B	-	9	-	-	-	9	9	-	-	9	-	9	-	-	-
	A	-	-	-	-	-	-	3	-	-	3	-	-	-	-	-
	B	-	-	-	-	-	-	9	-	-	9	-	-	-	-	-
	A	-	2	-	-	-	2	2	-	-	2	-	2	-	-	-
	B	-	9	-	-	-	9	9	-	-	9	-	9	-	-	-

Inner Tube (A)
Rim protector (B)

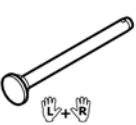
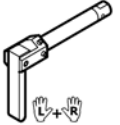







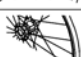
Pos.	Part number	Description	Valid from → until	Qty
1	1570848	Inner Tube 22" x 1" <i>Replaces 727.1007</i>	2012-05-14 → 2013-12-31	2
2	1570849	Inner Tube 24" x 1" <i>Replaces 727.1002</i>		2
3	1550284	Inner Tube 24" for Ultra-light fibre wheel	2012-05-14 → 2013-12-31	2
4	1570852	Inner tube for Mountain bike <i>Replaces 1420884</i>		2
5	1570851	Inner tube 26" for High-Performance wheel <i>Replaces 1430886</i>		2
6	1570850	Inner Tube 26" x 1" <i>Replaces 727.1003</i>		2
7	1570844	Rim protection 22" <i>Replaces 726.1005</i>		2
8	1570845	Rim protection 24" Large <i>Replaces 726.1008.000</i>		2
9	1495962	Rim Protection for High Performance / Spinergy wheel		2
10	1570846	Rim protection 26" <i>Replaces 726.1003</i>		2
11	1571072	Rear wheel inset anti-flat for 20,22,24,26" tyre <i>Replaces 1424917</i>		2

# Spokes guard

							
	22"	24"	26"	24"	24"	24"	24"
 Küschall wheel	1	2	3	4	5	6	7
 High Performance	-	2	-	4	5	6	7
 Mountainbike	1	-	-	-	-	-	-
 Spinergy	-	2	-	4	5	6	7
 Spinergy LXX	-	-	-	-	-	-	-
 Ultra Light Fibre	-	-	-	-	-	-	-
 Hub brake wheel	-	2	-	4	5	6	7

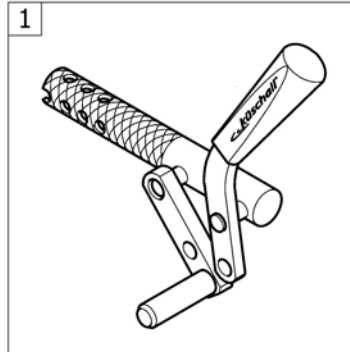
Pos.	Part number	Description	Valid from → until	Qty
1	1564453	Spokes guard Transparent 22" <i>Replaces 736.1005</i>		2
2	1564457	Spokes guard Transparent 24" <i>Replaces 736.1004</i>		2
3	1564492	Spokes guard Transparent 26" <i>Replaces 736.1003</i>		2
4	1564456	Spokes guard Küschall, black 24" <i>Replaces 736.1002</i>		2
5	1564459	Spokes guard Carbon 24" <i>Replaces 736.1014</i>	2012-05-14 → 2013-12-31	2
6	1564462	Spokes guard Switzerland 24" <i>Replaces 1497108</i>	2012-05-14 → 2013-06-30	2

## Quick release axle and bearing

			
 Küschall wheel	1	2	6
 High Performance	1	2	6
 Mountainbike	1	2	6
 Spinergy	3	4	6
 Spinergy LXX	3	-	6
 Ultra Light Fibre	5	2	6
 Hub brake wheel	3	4	6

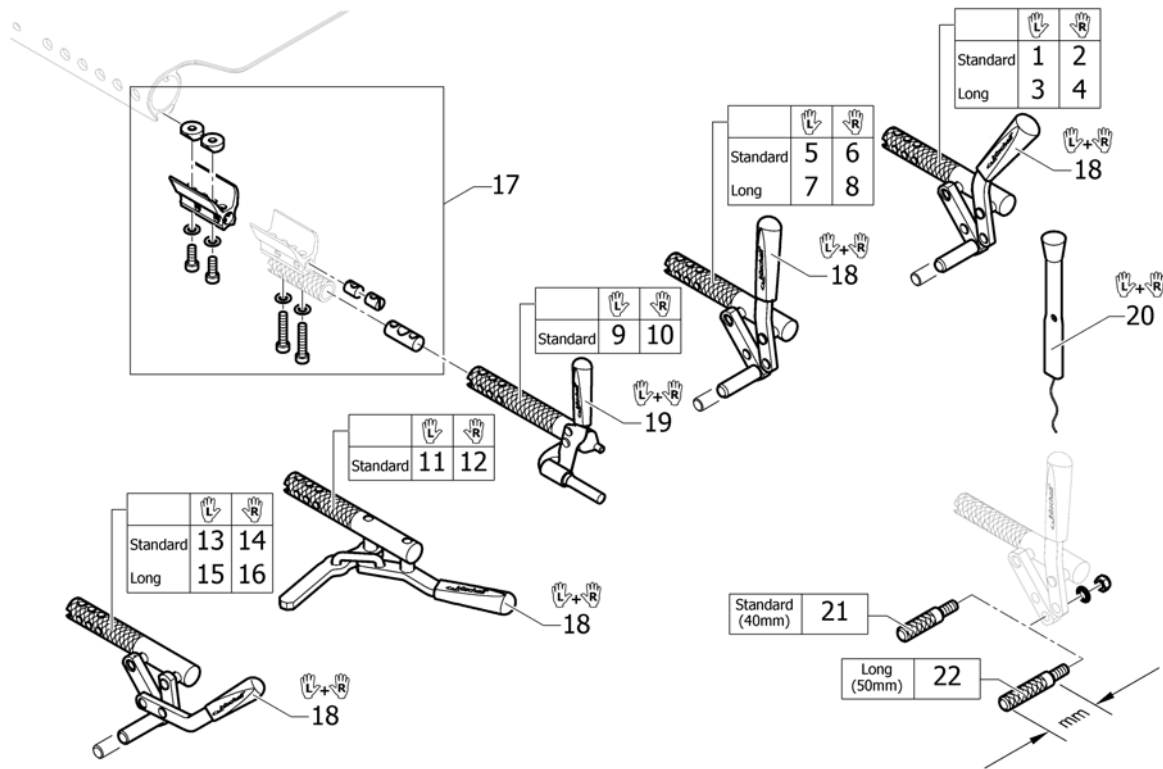
Pos.	Part number	Description	Valid from → until	Qty
1	1509137-0001	Quick release axles long with cap, pair, chrome		1
1	1509137-0004	Quick release axles long with cap, pair, black		1
1	1509137-0182	Quick release axles long with cap, pair, champagne	2013-01-01 →	1
1	1509137-0183	Quick release axles long with cap, pair, olive	2013-01-01 → 2014-12-31	1
1	1509137-0400	Quick release axles long with cap, pair, tecno anthracite		1
1	1509137-0404	Quick release axles long with cap, pair, b-blue	2012-05-14 → 2014-12-31	1
1	1509137-0407	Quick release axles long with cap, pair, colourless		1
1	1509137-0440	Quick release axles long with cap, pair, comet red		1
1	1509137-0441	Quick release axles long with cap, pair, arctic blue		1
1	1509137-0444	Quick release axles long with cap, pair, copper glaze	2012-05-14 → 2014-12-31	1
2	1493755	Tetra clip with quick release axle, pair, long		1
3	1507627	Quickrelease axle long with cap for Spinergy wheel, pair		1
4	1512029	Tetra clip with quick release axle, long, for Spinergy wheel, pair		1
5	1547629	Quick release axles long with cap, pair, polished		1
6	1571069	Bearing R8-2RS 1/2"/1.1/8"x5/16", pair <i>Replaces 5719103</i>		2

# BRAKES



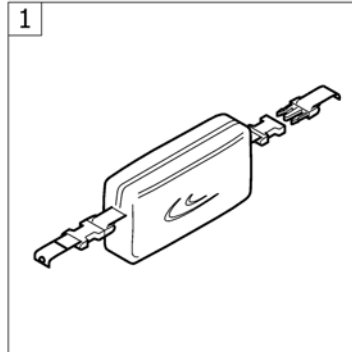
Pos.	Part number	Description	Valid from → until	Qty
1	-	Brakes		1

# Brakes



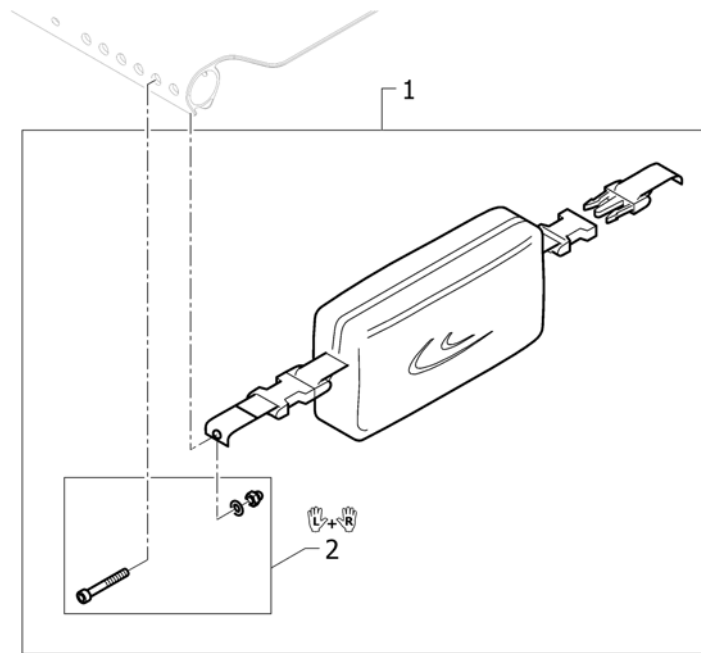
Pos.	Part number	Description	Valid from → until	Qty
1	1562583	Brake, bent lever, left		1
2	1562584	Brake, bent lever, right		1
3	1562585	Brake, lever bent, long shoe, left		1
4	1562586	Brake, lever bent, long shoe, right		1
5	1562587	Brake, straight lever, left		1
6	1562588	Brake, straight lever, right		1
7	1562589	Brake, straight lever, long shoe, left		1
8	1562590	Brake, straight lever, long shoe, right		1
9	1562591	Performance brake left		1
10	1562592	Performance brake right		1
11	1562593	Active brake left		1
12	1562594	Active brake right		1
13	1562595	Pull brake left		1
14	1562596	Pull brake right		1
15	1562597	Pull brake, long shoe left		1
16	1562598	Pull brake, long shoe right		1
17	1562599	Clamping piece to brake, set		2
18	1513177	Brake handle standard, pair		1
19	1513178	Brake handle for performance brake, pair		1
20	1513179	Brake lever extension, pair		1
21	1579328	Brake shoe standard (40mm), kit 4 Pcs. <i>Replaces 500.1045 (4x)</i>		1
22	1579329	Brake shoe long (50mm), kit 4 Pcs. <i>Replaces 500.1013 (4x)</i>		1

# SEAT ACCESSORIES



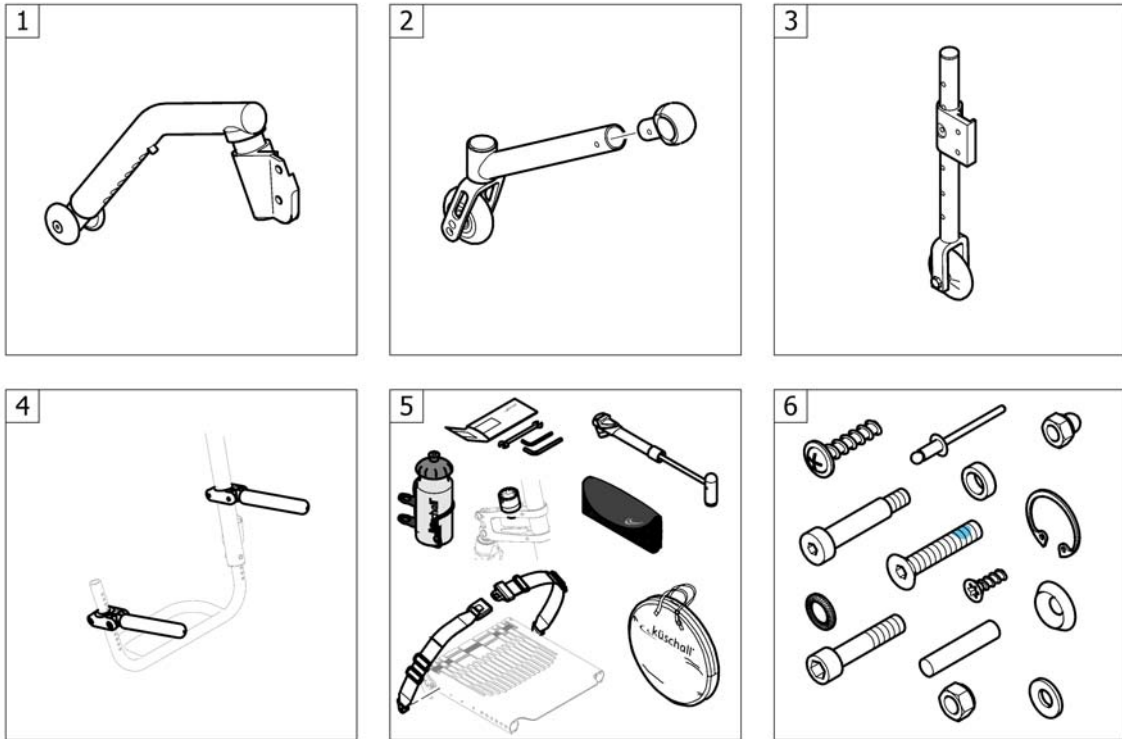
Pos.	Part number	Description	Valid from → until	Qty
1	-	Seat bag		1



**Seat bag**

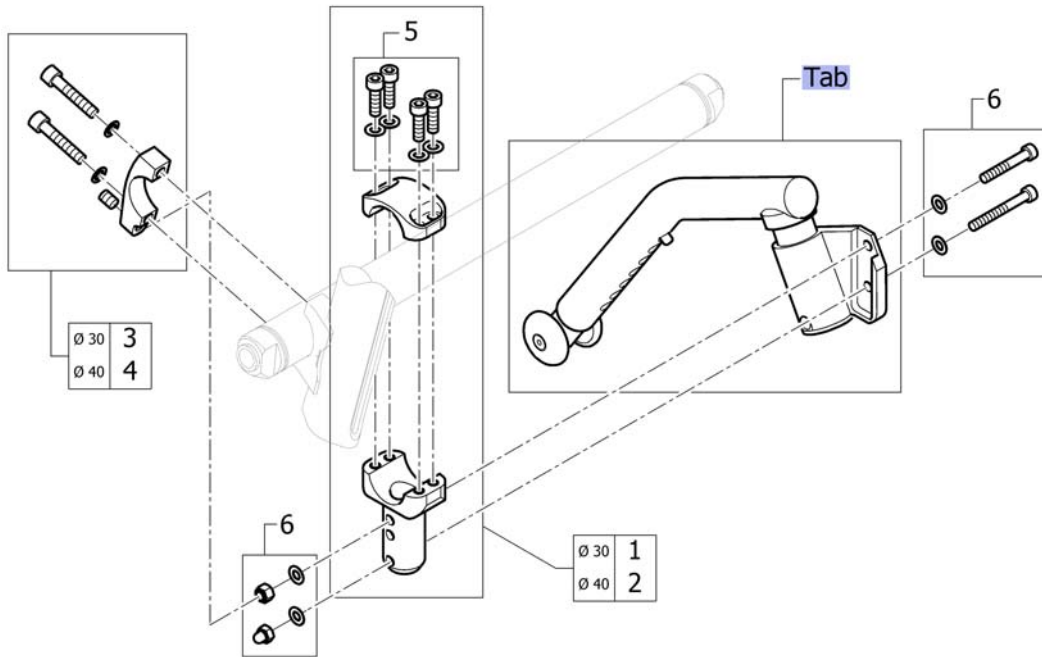
Pos.	Part number	Description	Valid from → until	Qty
1	1562607	Seat bag		1
2	1562608	Fixation kit to seat bag		1

## OPTIONS & ACCESSORIES



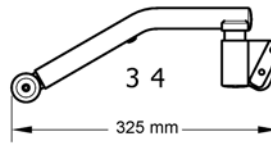
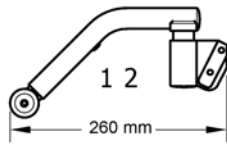
Pos.	Part number	Description	Valid from → until	Qty
1	-	Antitipper		1
2	-	Active Antitipper		1
3	-	Transit wheel		1
4	-	Luggage holder		1
5	-	Chair accessories		1
6	-	Fixation: screws, ...		1

# Antitipper



Pos.	Part number	Description	Valid from → until	Qty
Tab	-	Antitipper with configurations		1
1	1562617	Adaption holder for Axle Ø30, complete		1
2	1562618	Adaption holder for Vario-Ax Ø40, complete		1
3	SP1590028	Axle holder with stop for adaptation, Ø30		1
4	SP1590029	Axle holder with stop for adaptation, Ø40		1
5	1562619	Fixation kit for adaption holder		1
6	1562621	Fixation kit for adaptions		1

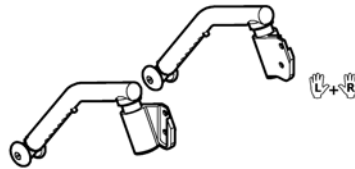
# Antitipper with configurations



Rear wheel size	SB34	SB36 - SB46
22" - 25"	1	3
26"	-	3



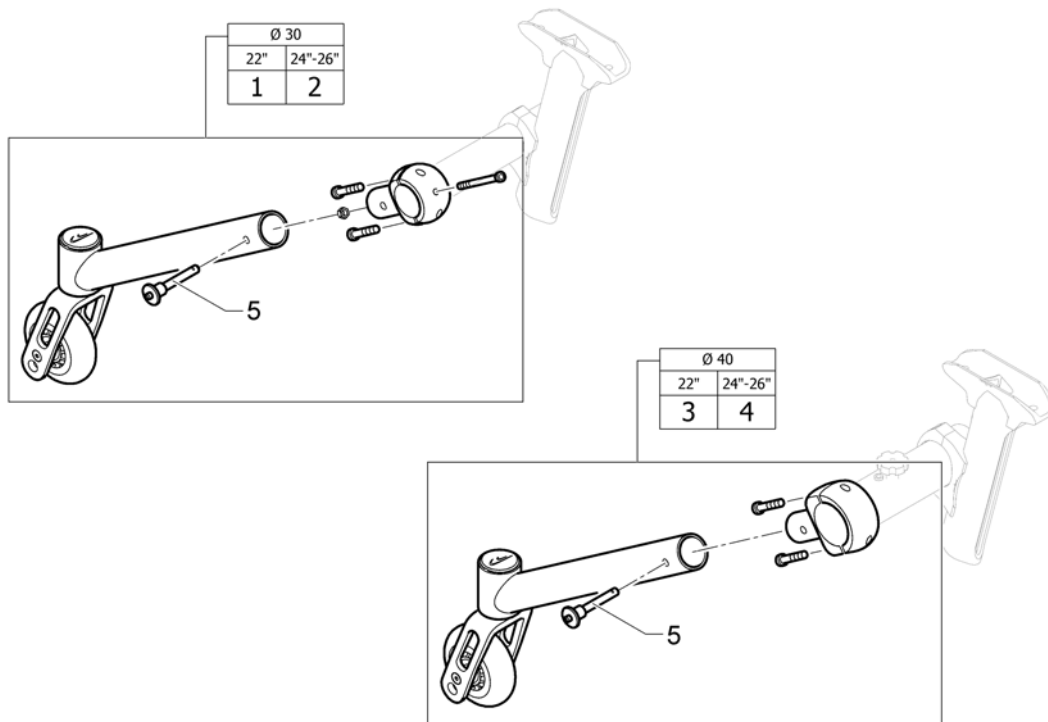
Rear wheel size	SB34	SB36 - SB46
22" - 25"	2	4
26"	-	4



Rear wheel size	SB34 - SB36	SB38 - SB46
22" - 25"	1 + 2	3 + 4
26"	-	3 + 4

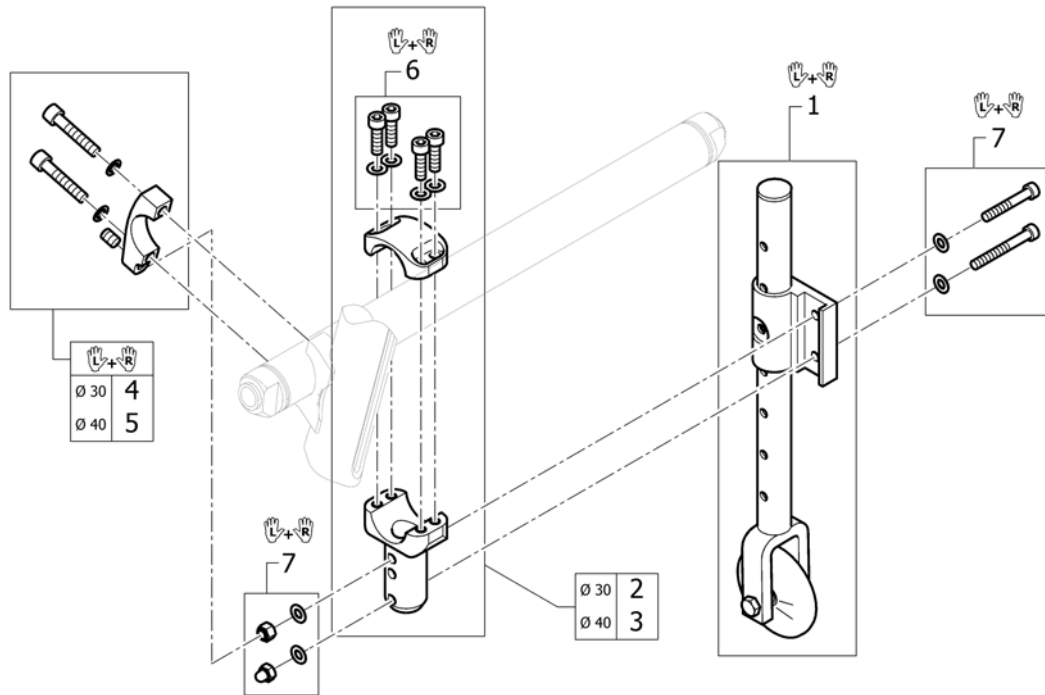
Pos.	Part number	Description	Valid from → until	Qty
1	SP1590076	Antitipper short left		1
2	SP1590077	Antitipper short right		1
3	SP1590078	Antitipper long left		1
4	SP1590079	Antitipper long right		1

# Active Antitipper

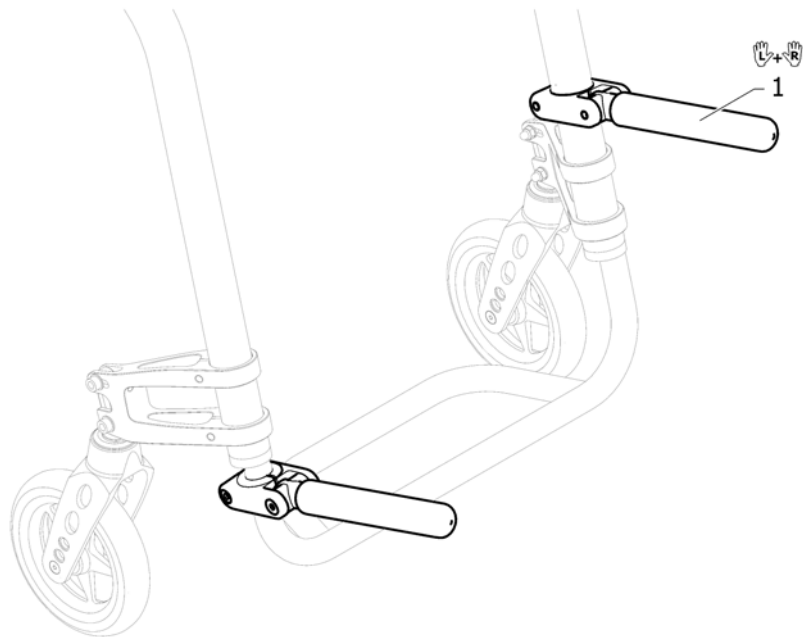


Pos.	Part number	Description	Valid from → until	Qty
1	1517871	Active Antitipper, for standard axle Ø30 for 20" and 22" wheels		1
2	1517873	Active Antitipper, for standard axle Ø30 for 24" and 25" wheels		1
3	1517872	Active Antitipper, for Vario-Ax Ø40 for 20" and 22" wheels		1
4	1517874	Active Antitipper, for Vario-Ax Ø40 for 24" and 25" wheels		1
5	1517877	Quickpin fixture		1

# Transit wheel

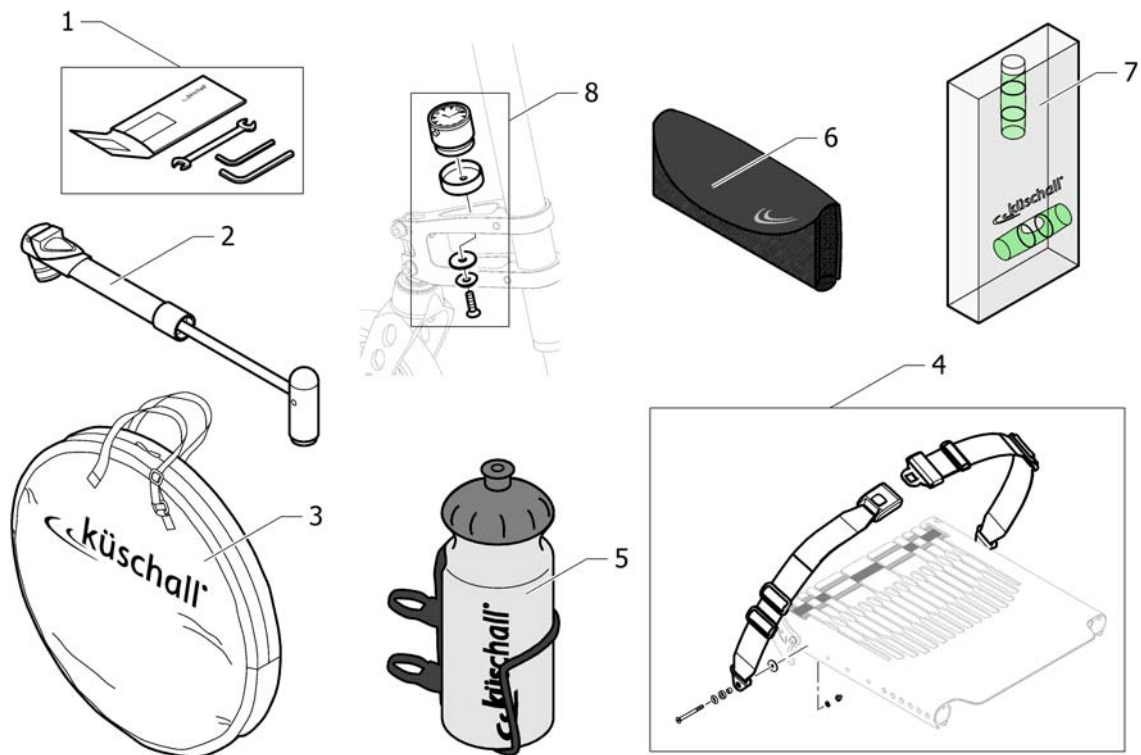


Pos.	Part number	Description	Valid from → until	Qty
1	1451791	Transit wheels, pair		1
2	1562617	Adaption holder for Axle Ø30, complete		2
3	1562618	Adaption holder for Vario-Ax Ø40, complete		2
4	SP1590081	Axle holder with stop for adaptation, Ø30, pair		1
5	SP1590089	Axle holder with stop for adaptation, Ø40, pair		1
6	1562620	Fixation kit for adaption holder, pair		1
7	1562622	Fixation kit for adaptations, pair		1

**Luggage holder**

Pos.	Part number	Description	Valid from → until	Qty
1	1547626	Luggage holder complete, pair		1

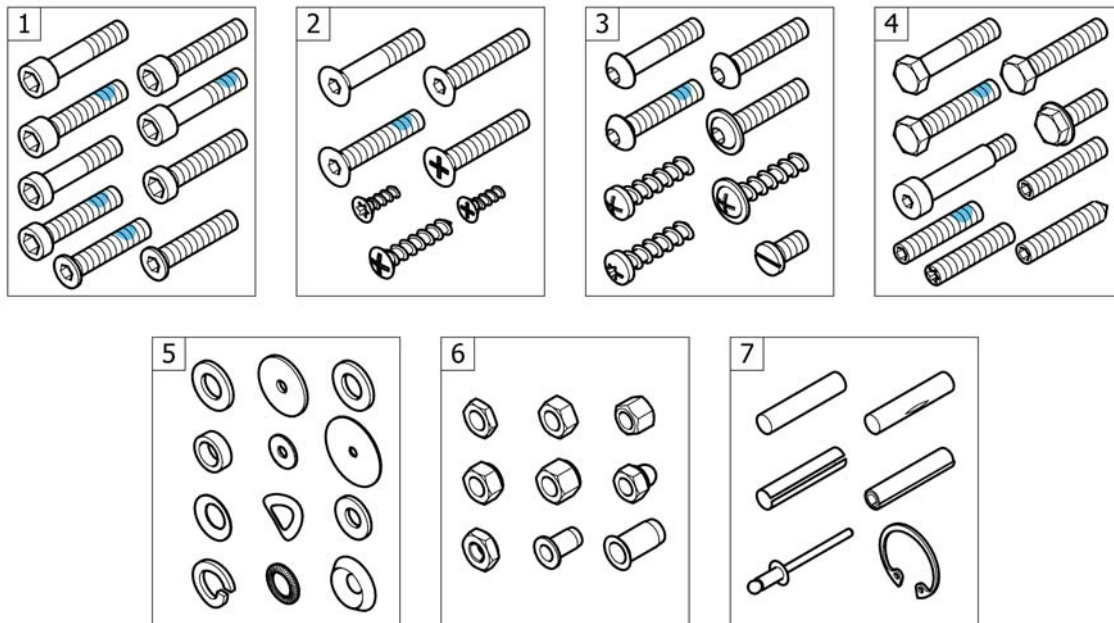
## Chair accessories



Pos.	Part number	Description	Valid from → until	Qty
1	1518285	Tool Kit		1
2	1517924	Air pump		1
3	1518287	Wheel bag 24" - 26"		1
4	1567137	Seat belt	2013-01-01 →	1
5	1547625	Bottle holder		1
6	1547622	Mobil phone holder		1
7	1567762	Spirit level	2013-01-01 →	1
8	SP1601739	Küschall watch mounted on front wheel supporter, kit	2016-01-01 →	1

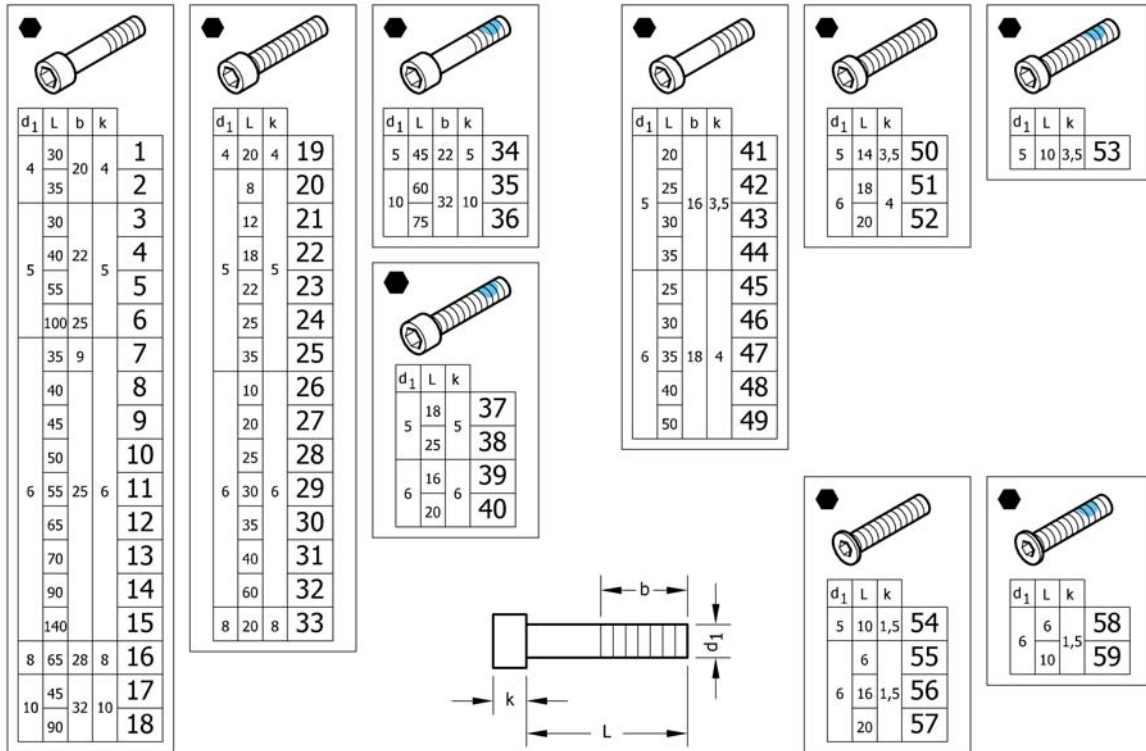


## Fixation: screws, ...



Pos.	Part number	Description	Valid from → until	Qty
1	-	Socket head cap screws		1
2	-	Countersunk screws		1
3	-	Button head screws		1
4	-	Hex-head screws, diverse, ...		1
5	-	Washers		1
6	-	Nuts		1
7	-	Pins, rivets, ...		1

# Socket head cap screws



Pos.	Part number	Description	Valid from → until	Qty
1	1579115	Hex socket head cap screws partially threaded, zi.Blue, M4x30, kit 25 <i>Replaces 1560191 (25x)</i>		1
2	1579116	Hex socket head cap screws partially threaded, zi.Blue, M4x35, kit 25 <i>Replaces 1563765 (25x)</i>		1
3	1579117	Hex socket head cap screws partially threaded, black, M5x30, kit 25 Pcs. <i>Replaces 100.1091 (25x)</i>		1
4	1579118	Hex socket head cap screws partially threaded, black, M5x40, kit 25 Pcs. <i>Replaces 100.1093 (25x)</i>		1
5	1579119	Hex socket head cap screws partially threaded, black, M5x55, kit 25 Pcs. <i>Replaces 100.1096 (25x)</i>		1
6	1579120	Hex socket head cap screws partially threaded, black, M5x100, kit 10 Pcs. <i>Replaces 1425240 (10x)</i>		1
7	1579121	Hex socket head cap screws partially threaded, black, M6x35, kit 5 Pcs. <i>Replaces 107.1001 (5x)</i>		1
8	1579122	Hex socket head cap screws partially threaded, black, M6x40, kit 25 Pcs. <i>Replaces 100.1133 (25x)</i>		1
9	1579123	Hex socket head cap screws partially threaded, black, M6x45, kit 25 Pcs. <i>Replaces 100.1134 (25x)</i>		1
10	1579124	Hex socket head cap screws partially threaded, black, M6x50, kit 25 Pcs. <i>Replaces 100.1135 (25x)</i>		1
11	1579125	Hex socket head cap screws partially threaded, black, M6x55, kit 25 Pcs. <i>Replaces 100.1136 (25x)</i>		1
11	1579126	Hex socket head cap screws partially threaded, zi.Blue, M6x55, kit 25 <i>Replaces ZM006551A (25x)</i>		1
12	1579127	Hex socket head cap screws partially threaded, black, M6x65, kit 10 Pcs. <i>Replaces 100.1138 (10x)</i>		1
13	1579128	Hex socket head cap screws partially threaded, black, M6x70, kit 10 Pcs. <i>Replaces 100.1139 (10x)</i>		1
14	1579129	Hex socket head cap screws partially threaded, black, M6x90, kit 10 Pcs. <i>Replaces 1529118 (10x)</i>		1
15	1579130	Hex socket head cap screws partially threaded, black, M6x140, kit 10 Pcs. <i>Replaces 1529117 (10x)</i>		1
16	1579131	Hex socket head cap screws partially threaded, black, M8x65, kit 10 Pcs. <i>Replaces 1510316 (10x)</i>		1
17	1579132	Hex socket head cap screws partially threaded, black, M10x45, kit 2 Pcs. <i>Replaces 1496010 (2x)</i>		1

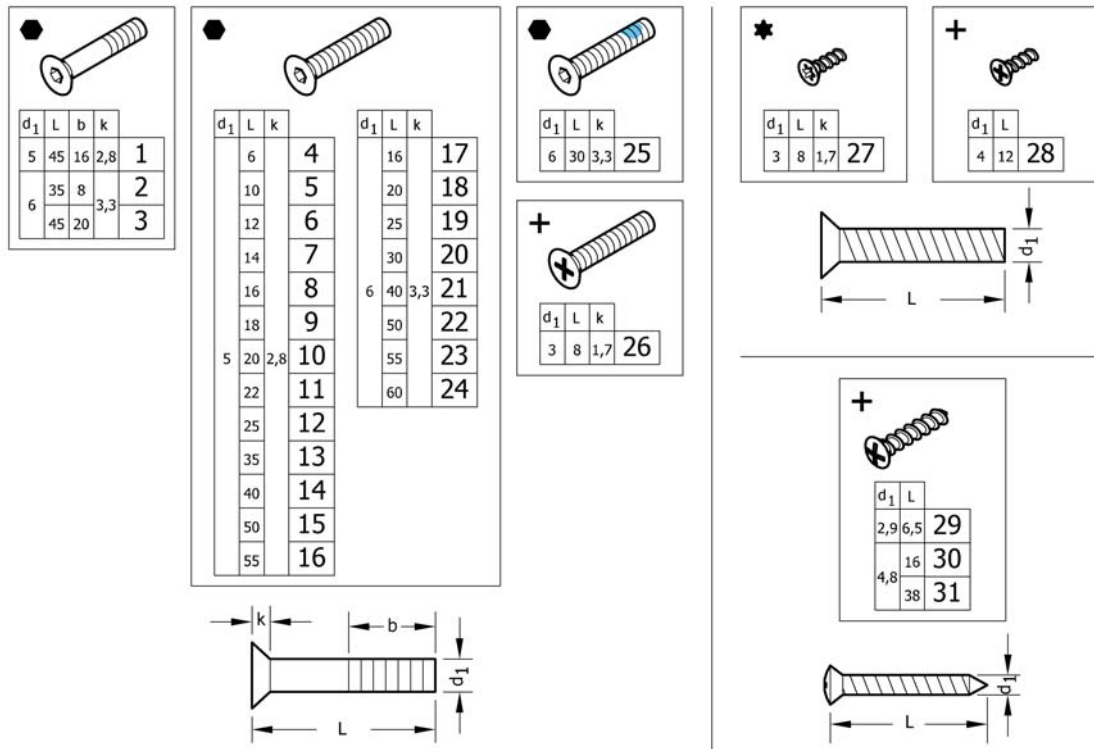
## Socket head cap screws

Pos.	Part number	Description	Valid from → until	Qty
18	1579133	Hex socket head cap screws partially threaded, black, M10x90, kit 2 Pcs. <i>Replaces 1496013 (2x)</i>		1
19	1579134	Hex socket head cap screws fully threaded, black, M4x20, kit 25 Pcs. <i>Replaces 100.1050 (25x)</i>		1
20	1579135	Hex socket head cap screws fully threaded, black, M5x8, kit 5 Pcs. <i>Replaces 1493753 (5x)</i>		1
21	1579136	Hex socket head cap screws fully threaded, black, M5x12, kit 25 Pcs. <i>Replaces 100.1084 (25x)</i>		1
22	1579137	Hex socket head cap screws fully threaded, black, M5x18, kit 25 Pcs. <i>Replaces 100.1087 (25x)</i>		1
23	1579138	Hex socket head cap screws fully threaded, black, M5x22, kit 25 Pcs. <i>Replaces 100.1089 (25x)</i>		1
24	1579139	Hex socket head cap screws fully threaded, black, M5x25, kit 25 Pcs. <i>Replaces 100.1090 (25x)</i>		1
25	1579140	Hex socket head cap screws fully threaded, black, M5x35, kit 25 Pcs. <i>Replaces 100.1092 (25x)</i>		1
26	1579141	Hex socket head cap screws fully threaded, black, M6x10, kit 25 Pcs. <i>Replaces 100.1123 (25x)</i>		1
27	1579142	Hex socket head cap screws fully threaded, black, M6x20, kit 25 Pcs. <i>Replaces 100.1128 (25x)</i>		1
28	1579143	Hex socket head cap screws fully threaded, black, M6x25, kit 25 Pcs. <i>Replaces 100.1130 (25x)</i>		1
29	1579144	Hex socket head cap screws fully threaded, black, M6x30, kit 25 Pcs. <i>Replaces 100.1131 (25x)</i>		1
30	1579145	Hex socket head cap screws fully threaded, black, M6x35, kit 25 Pcs. <i>Replaces 100.1132 (25x)</i>		1
31	1579146	Hex socket head cap screws fully threaded, black, M6x40, kit 10 Pcs. <i>Replaces 1563349 (10x)</i>		1
32	1579147	Hex socket head cap screws fully threaded, black, M6x60, kit 10 Pcs. <i>Replaces 100.1137 (10x)</i>		1
33	1579148	Hex socket head cap screws fully threaded, black, M8x20, kit 10 Pcs. <i>Replaces 1510307 (10x)</i>		1
34	1579149	Hex sock.Head cap screws partial.Thread., black, TufLok, M5x45, kit 5 Pcs. <i>Replaces 1496014 (5x)</i>		1
35	1579150	Hex sock.Head cap screws partial.Thread., black, TufLok, M10x60, kit 2 Pcs. <i>Replaces 1496011 (2x)</i>		1
36	1579151	Hex sock.Head cap screws partial.Thread., black, TufLok, M10x75, kit 2 Pcs. <i>Replaces 1496012 (2x)</i>		1
37	1579152	Hex socket head cap screws fully threaded, black, TufLok, M5x18, kit 10 Pcs. <i>Replaces 1425241 (10x)</i>		1
38	1579153	Hex socket head cap screws fully threaded, black, TufLok, M5x25, kit 10 Pcs. <i>Replaces 1570153 (10x)</i>		1
39	1579154	Hex socket head cap screws full.Thread., zi.Blue, TufLok, M6x16, kit 10 Pcs. <i>Replaces 1560219 (10x)</i>		1
40	1579155	Hex socket head cap screws fully threaded, black, TufLok, M6x20, kit 10 Pcs. <i>Replaces 1498775 (10x)</i>		1
41	1579156	Hex sock.Head cap screws, low head, part.Thread., black, M5x20, kit 25 Pcs. <i>Replaces 1438501 (25x)</i>		1
42	1579157	Hex sock.Head cap screws, low head, part.Thread., black, M5x25, kit 25 Pcs. <i>Replaces 1438518 (25x)</i>		1
43	1579158	Hex sock.Head cap screws, low head, part.Thread., black, M5x30, kit 25 Pcs. <i>Replaces 100.5090 (25x)</i>		1
44	1579159	Hex sock.Head cap screws, low head, part.Thread., black, M5x35, kit 25 Pcs. <i>Replaces 100.5091 (25x)</i>		1

## Socket head cap screws

Pos.	Part number	Description	Valid from → until	Qty
45	1579160	Hex sock.Head cap screws, low head, part.Thread., black, M6x25, kit 25 Pcs. <i>Replaces 1432120 (25x)</i>		1
46	1579161	Hex sock.Head cap screws, low head, part.Thread., black, M6x30, kit 25 Pcs. <i>Replaces 100.5130 (25x)</i>		1
47	1579162	Hex sock.Head cap screws, low head, part.Thread., black, M6x35, kit 25 Pcs. <i>Replaces 1438504 (25x)</i>		1
48	1579163	Hex sock.Head cap screws, low head, part.Thread., black, M6x40, kit 25 Pcs. <i>Replaces 100.5132 (25x)</i>		1
49	1579164	Hex sock.Head cap screws, low head, part.Thread., black, M6x50, kit 25 Pcs. <i>Replaces 100.5134 (25x)</i>		1
50	1579165	Hex sock.Head cap screws, low head, part.Thread., black, M5x14, kit 25 Pcs. <i>Replaces 100.5085 (25x)</i>		1
51	1579166	Hex sock.Head cap screws, low head, part.Thread., black, M6x18, kit 25 Pcs. <i>Replaces 100.5126 (25x)</i>		1
52	1579167	Hex sock.Head cap screws, low head, part.Thread., black, M6x20, kit 25 Pcs. <i>Replaces 100.5127 (25x)</i>		1
53	1579168	Hex soc.Head cap scr., low head, part.Threa., bl., TufL., M5x10, kit 10 Pcs. <i>Replaces 1496026 (10x)</i>		1
54	1579169	Hex socket head cap screws, special low head, black, M5x10, kit 25 Pcs. <i>Replaces 1437290 (25x)</i>		1
55	1579170	Hex socket head cap screws, special low head, black, M6x6, kit 25 Pcs. <i>Replaces 1425182 (25x)</i>		1
56	1579171	Hex socket head cap screws, special low head, black, M6x16, kit 25 Pcs. <i>Replaces 1541181 (25x)</i>		1
57	1579172	Hex socket head cap screws, special low head, black, M6x20, kit 25 Pcs. <i>Replaces 107.1022 (25x)</i>		1
58	1579173	Hex socket head cap screws, spec.Low head, black, TufLok, M5x6, kit 10 Pcs. <i>Replaces 1532039 (10x)</i>		1
59	1579174	Hex socket head cap screws, spec.Low head, black, TufLok, M6x10, kit 10 Pcs. <i>Replaces 1420946 (10x)</i>		1

## Countersunk screws

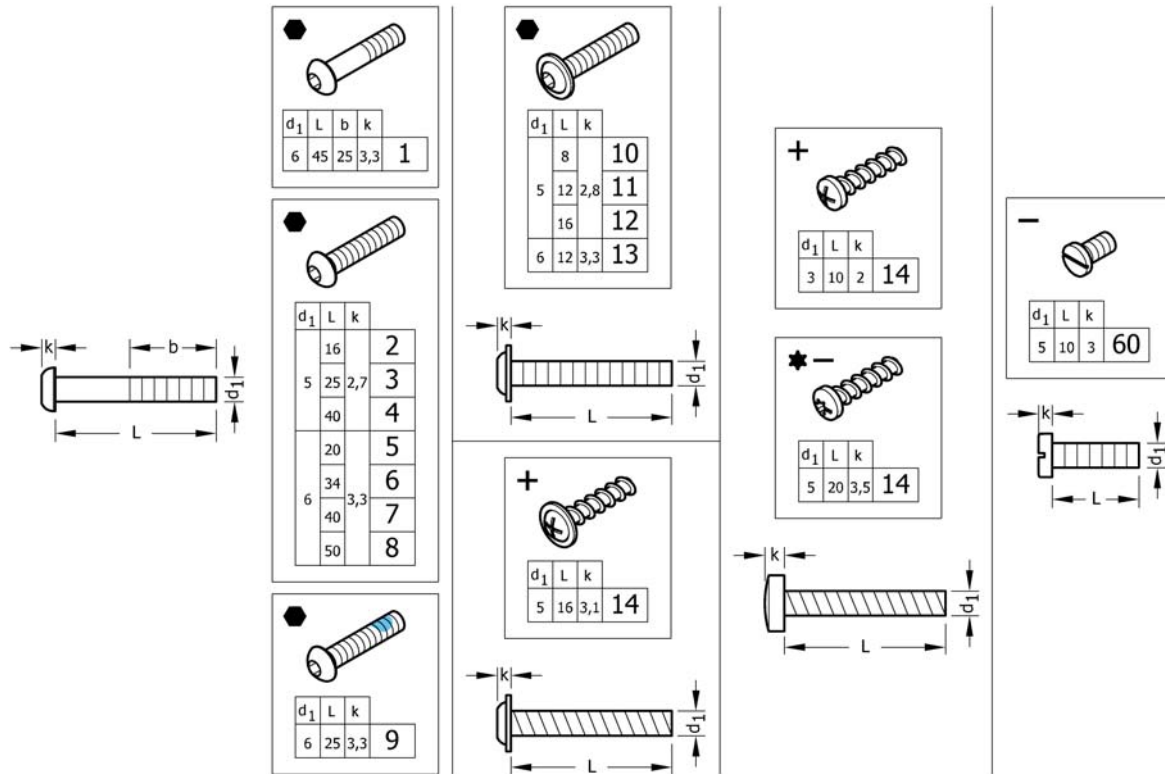


Pos.	Part number	Description	Valid from → until	Qty
1	1579175	Countersunk head screws partially threaded, Black,M5x45, kit 10 Pcs. <i>Replaces 1438773 (10x)</i>		1
2	1579176	Countersunk head screws partially threaded, Black,M6x35, kit 10 Pcs. <i>Replaces 107.1004 (10x)</i>		1
3	1579177	Countersunk head screws partially threaded, Black,M6x45, kit 10 Pcs. <i>Replaces 100.3133 (10x)</i>		1
4	1579178	Countersunk head screws fully threaded, Black,M5x6, kit 25 Pcs. <i>Replaces 1445273 (25x)</i>		1
5	1579179	Countersunk head screws fully threaded, Black,M5x10, kit 25 Pcs. <i>Replaces 100.3082 (25x)</i>		1
6	1579180	Countersunk head screws fully threaded, Black,M5x12, kit 25 Pcs. <i>Replaces 1438999 (25x)</i>		1
7	1579181	Countersunk head screws fully threaded, Black,M5x14, kit 25 Pcs. <i>Replaces 107.1015 (25x)</i>		1
8	1579182	Countersunk head screws fully threaded, Black,M5x16, kit 25 Pcs. <i>Replaces 100.3085 (25x)</i>		1
9	1579183	Countersunk head screws fully threaded, Black,M5x18, kit 25 Pcs. <i>Replaces 100.3086 (25x)</i>		1
10	1579184	Countersunk head screws fully threaded, Black,M5x20, kit 25 Pcs. <i>Replaces 100.3087 (25x)</i>		1
11	1579185	Countersunk head screws fully threaded, Black,M5x22, kit 25 Pcs. <i>Replaces 1416930 (25x)</i>		1
12	1579186	Countersunk head screws fully threaded, Black,M5x25, kit 25 Pcs. <i>Replaces 100.3089 (25x)</i>		1
13	1579187	Countersunk head screws fully threaded, Black,M5x35, kit 25 Pcs. <i>Replaces 100.3091 (25x)</i>		1
14	1579188	Countersunk head screws fully threaded, Black,M5x40, kit 25 Pcs. <i>Replaces 1432148 (25x)</i>		1
15	1579189	Countersunk head screws fully threaded, Black,M5x50, kit 25 Pcs. <i>Replaces 100.3094 (25x)</i>		1
16	1579190	Countersunk head screws fully threaded, Black,M5x55, kit 25 Pcs. <i>Replaces 100.3095 (25x)</i>		1
17	1579191	Countersunk head screws fully threaded, Black,M6x16, kit 25 Pcs. <i>Replaces 100.3125 (25x)</i>		1
18	1579192	Countersunk head screws full.Threaded, zinc flake coat.,M6x20, kit 25 Pcs. <i>Replaces 100.3127 (25x)</i>		1

**Countersunk screws**

Pos.	Part number	Description	Valid from → until	Qty
18	1579193	Countersunk head screws fully threaded, Black,M6x20, kit 25 Pcs. <i>Replaces 1437809 (25x)</i>		1
19	1579194	Countersunk head screws fully threaded, Black,M6x25, kit 25 Pcs. <i>Replaces 100.3129 (25x)</i>		1
20	1579195	Countersunk head screws fully threaded, Black,M6x30, kit 25 Pcs. <i>Replaces 100.3130 (25x)</i>		1
21	1579196	Countersunk head screws fully threaded, Black,M6x40, kit 25 Pcs. <i>Replaces 100.3132 (25x)</i>		1
22	1579197	Countersunk head screws fully threaded, Black,M6x50, kit 25 Pcs. <i>Replaces 100.3134 (25x)</i>		1
23	1579198	Countersunk head screws fully threaded, Black,M6x55, kit 25 Pcs. <i>Replaces 100.3135 (25x)</i>		1
24	1579199	Countersunk head screws fully threaded, Black,M6x60, kit 25 Pcs. <i>Replaces 100.3136 (25x)</i>		1
25	1579200	Countersunk head screws fully threaded, Black, TufLok,M6x30, kit 25 Pcs. <i>Replaces 1550479 (25x)</i>		1
26	1579201	Countersunk head screws fully threaded, zi.Blue,M3x8, kit 25 Pcs. <i>Replaces 1529279 (25x)</i>		1
27	1579202	Countersunk head PT screws, Torx, stainless steel, 3x8, kit 25 Pcs. <i>Replaces 1529278 (25x)</i>		1
28	1579203	Countersunk head PT screws, Black, KA40x12, kit 25 Pcs. <i>Replaces 1438513 (25x)</i>		1
29	1579204	Countersunk head tapping screws with cone end, Black, ST2,9x6,5, kit 25 Pcs. <i>Replaces 126.5041 (25x)</i>		1
30	1579205	Countersunk head tapping screws with cone end, Black, ST4,8x16, kit 25 Pcs. <i>Replaces 126.5202 (25x)</i>		1
31	1579206	Countersunk head tapping screws with cone end, Black, ST4,8x38, kit 25 Pcs. <i>Replaces 126.5207 (25x)</i>		1

## Button head screws



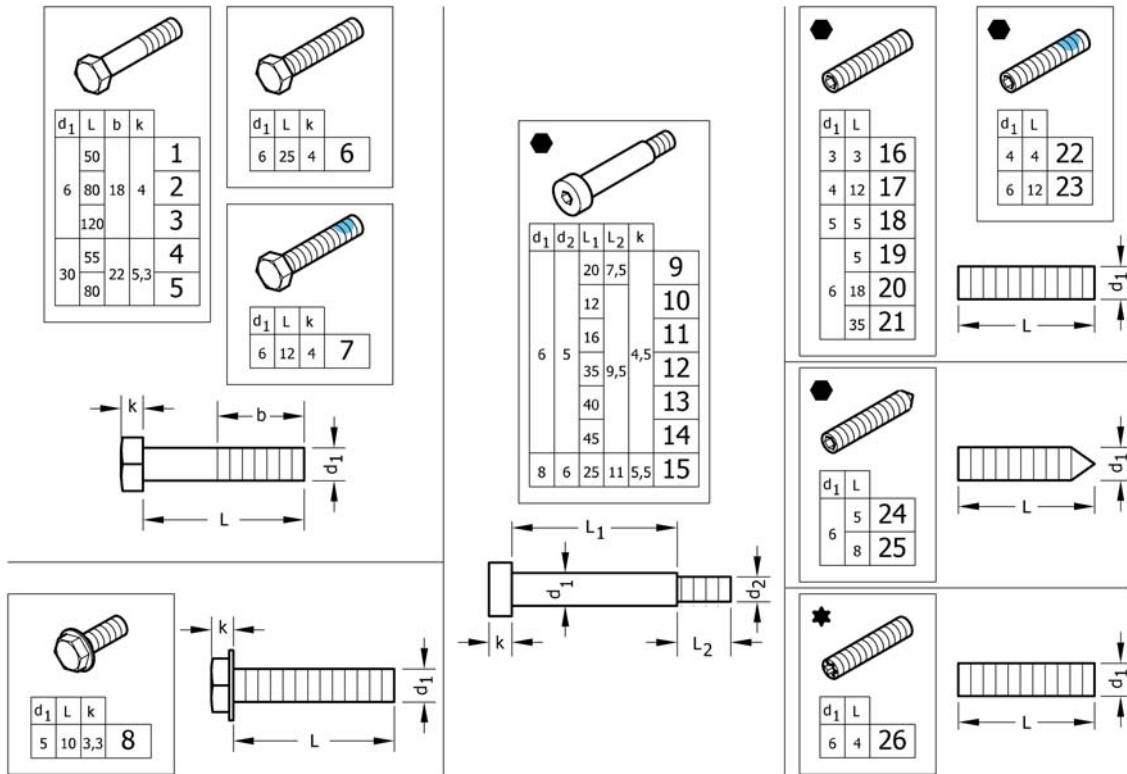
Pos.	Part number	Description	Valid from → until	Qty
1	1579259	Hex sock.Button head cap screws partially thread., Black, M6x45, kit 25 Pcs. <i>Replaces 1438507 (25x)</i>		1
2	1579260	Hex socket button head cap screws fully threaded, Black, M5x16, kit 25 Pcs. <i>Replaces 1445341-0003 (25x)</i>		1
3	1579261	Hex socket button head cap screws fully threaded, Black, M5x25, kit 25 Pcs. <i>Replaces 107.1021 (25x)</i>		1
4	1579262	Hex socket button head cap screws fully threaded, Black, M5x40, kit 25 Pcs. <i>Replaces 1445101-0003 (25x)</i>		1
5	1579263	Hex socket button head cap screws fully threaded, Black, M6x20, kit 25 Pcs. <i>Replaces 1439153 (25x)</i>		1
6	1579264	Hex socket button head cap screws fully threaded, Black, M6x34, kit 25 Pcs. <i>Replaces 1438506-0003 (25x)</i>		1
7	1579265	Hex socket button head cap screws fully threaded, Black, M6x40, kit 25 Pcs. <i>Replaces 1439530-0003 (25x)</i>		1
8	1579266	Hex socket button head cap screws fully threaded, Black, M6x50, kit 25 Pcs. <i>Replaces 1439531-0003 (25x)</i>		1
9	1579267	Hex sock.But.Head cap screws full.Thread., Black, TufLok, M6x25, kit 25 Pcs. <i>Replaces 1438505 (25x)</i>		1
10	1579268	Button head socket cap screws with flange, Black, M5x8, kit 25 Pcs. <i>Replaces 1536268 (25x)</i>		1
11	1579269	Button head socket cap screws with flange, Black, M5x12, kit 25 Pcs. <i>Replaces 1529290 (25x)</i>		1
12	1579270	Button head socket cap screws with flange, Black, M5x16, kit 25 Pcs. <i>Replaces 1445102-0003 (25x)</i>		1
13	1579271	Button head socket cap screws with flange, Black, M6x12, kit 25 Pcs. <i>Replaces 1432204 (25x)</i>		1
14	1579272	Round washer head PT® screws, form H, zinc plated blue, M5x16, kit 25 Pcs. <i>Replaces 1536057 (25x)</i>		1

## Button head screws

Pos.	Part number	Description	Valid from → until	Qty
15	1579273	Pan head PT screws, form H, zinc plated blue, M3x10, kit 25 Pcs. <i>Replaces ZM003510A (25x)</i>		1
16	1579274	Pan head PT screws, Torx, Black, M5x20, kit 25 Pcs. <i>Replaces 1424569 (25x)</i>		1
17	1579275	Slotted machine screws, Black, M5x10, kit 25 Pcs. <i>Replaces 102.2083 (25x)</i>		1



## Hex-head screws, diverse, ...

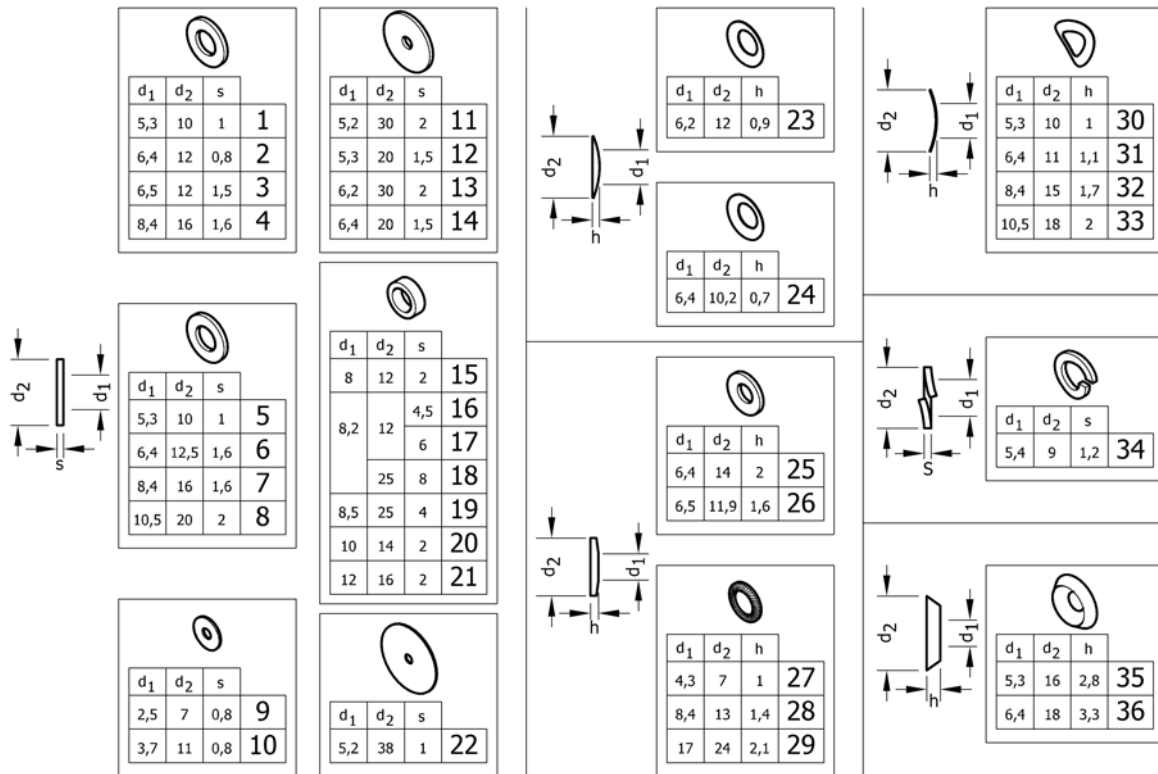


Pos.	Part number	Description	Valid from → until	Qty
1	1579276	Hex head bolts partially threaded, Black, M6x50, kit 10 Pcs. <i>Replaces 101.1134 (10x)</i>		1
2	1579277	Hex head bolts partially threaded, Black, M6x80, kit 10 Pcs. <i>Replaces 1438508 (10x)</i>		1
3	1579278	Hex head bolts partially threaded, Black, M6x120, kit 10 Pcs. <i>Replaces 1438509 (10x)</i>		1
4	1579279	Hex head bolts partially threaded, Black, M8x55, kit 10 Pcs. <i>Replaces 101.1174 (10x)</i>		1
5	1579280	Hex head bolts partially threaded, Black, M8x80, kit 10 Pcs. <i>Replaces 101.1179 (10x)</i>		1
6	1579281	Hex head screws fully threaded, Black, M6x25, kit 10 Pcs. <i>Replaces 1437299 (10x)</i>		1
7	1579282	Hex head screws fully threaded, Black, TufLok, M6x12, kit 10 Pcs. <i>Replaces 1564245 (10x)</i>		1
8	1579283	Hex flange head machine screws with flange, Black, M5x10, kit 10 Pcs. <i>Replaces 107.1014 (10x)</i>		1
9	1579295	Hex socket head shoulder bolts, Black, Ø6x20 /M5, kit 4 Pcs. <i>Replaces 1488934-0003 (4x)</i>		1
10	1579296	Hex socket head shoulder bolts, Black, Ø6x12 /M5, kit 4 Pcs. <i>Replaces 1564246 (4x)</i>		1
11	1579297	Hex socket head shoulder bolts, Black, Ø6x16 /M5, kit 4 Pcs. <i>Replaces 1529291 (4x)</i>		1
12	1579298	Hex socket head shoulder bolts, Black, Ø6x35 /M5, kit 4 Pcs. <i>Replaces 1496034 (4x)</i>		1
13	1579299	Hex socket head shoulder bolts, Black, Ø6x40 /M5, kit 4 Pcs. <i>Replaces 107.1023 (4x)</i>		1
14	1579300	Hex socket head shoulder bolts, Black, Ø6x45 /M5, kit 4 Pcs. <i>Replaces 1496030 (4x)</i>		1
15	1579301	Hex socket head shoulder bolts, Black, Ø8x25 /M6, kit 4 Pcs. <i>Replaces ZM008252A (4x)</i>		1
16	1579284	Hex socket set screws with flat point, Black, M3x3, kit 25 Pcs. <i>Replaces 116.1001 (25x)</i>		1
17	1579285	Hex socket set screws with flat point, Black, M4x12, kit 25 Pcs. <i>Replaces 116.1046 (25x)</i>		1
18	1579286	Hex socket set screws with flat point, zinc plated blue, M5x5, kit 25 Pcs. <i>Replaces 116.1081 (25x)</i>		1

**Hex-head screws, diverse, ...**

Pos.	Part number	Description	Valid from → until	Qty
19	1579287	Hex socket set screws with flat point, Black, M6x5, kit 25 Pcs. <i>Replaces 1437272 (25x)</i>		1
20	1579288	Hex socket set screws with flat point, zinc plated blue, M6x18, kit 25 Pcs. <i>Replaces 1559106 (25x)</i>		1
21	1579289	Hex socket set screws with flat point, Black, M6x35, kit 25 Pcs. <i>Replaces 116.1133 (25x)</i>		1
22	1579290	Hex socket set screws with flat point, Black, TufLok, M4x4, kit 10 Pcs. <i>Replaces 1493792 (10x)</i>		1
23	1579291	Hex socket set screws with flat point, Z.Plat.Bl., TufLok, M6x12, kit 10Pcs. <i>Replaces 1439057 (10x)</i>		1
24	1579292	Hex socket set screws with cone point, Black, M6x5, kit 25 Pcs. <i>Replaces 116.2121 (25x)</i>		1
25	1579293	Hex socket set screws with cone point, Black, M6x8, kit 25 Pcs. <i>Replaces 116.2123 (25x)</i>		1
26	1579294	Screws with cup point, Torx, zinc plated blue, M6x4, kit 25 Pcs. <i>Replaces 1567763 (25x)</i>		1

# Washers

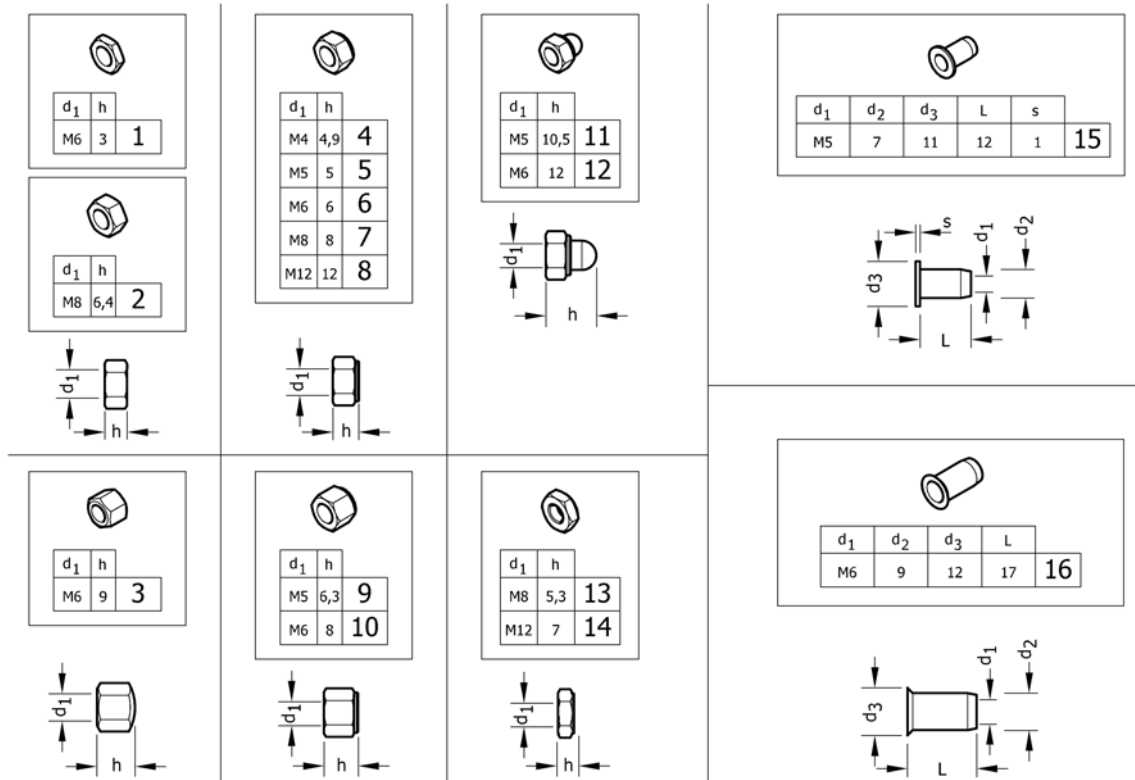


Pos.	Part number	Description	Valid from → until	Qty
1	1579225	Flat washers without chamfer, black, 5,3x10x1, kit 50 Pcs. <i>Replaces 150.1004 (50x)</i>		1
2	1579226	Flat washers without chamfer, black, 6,4x12x0,8, kit 50 Pcs. <i>Replaces 150.2001 (50x)</i>		1
3	1579227	Flat washers without chamfer, zinc plated blue, 6,5x12x1,5, kit 50 Pcs. <i>Replaces 5729091 (50x)</i>		1
4	1579228	Flat washers without chamfer, black, 8,4x16x1,6, kit 50 Pcs. <i>Replaces 150.1012 (50x)</i>		1
5	1579229	Flat washers without chamfer, polyamide, 5,3x10x1, kit 50 Pcs. <i>Replaces 150.3003 (50x)</i>		1
6	1579230	Flat washers without chamfer, polyamide, 6,4x12,5x1,6, kit 50 Pcs. <i>Replaces 150.3004 (50x)</i>		1
7	1579231	Flat washers without chamfer, polyamide, 8,4x16x1,6, kit 50 Pcs. <i>Replaces 150.3005 (50x)</i>		1
8	1579232	Flat washers without chamfer, polyamide, 10,5x20x2, kit 50 Pcs. <i>Replaces 150.3006 (50x)</i>		1
9	1579233	Flat washers without chamfer, zinc plated blue, 2,5x7x0,8, kit 50 Pcs. <i>Replaces 150.2012 (50x)</i>		1
10	1579234	Flat washers without chamfer, zinc plated blue, 3,7x11x0,8, kit 50 Pcs. <i>Replaces ZM203501A (50x)</i>		1
11	1579235	Flat washers without chamfer, black, 5,2x30x2, kit 20 Pcs. <i>Replaces 150.2006 (20x)</i>		1
12	1579236	Flat washers without chamfer, black, 5,3x20x1,5, kit 50 Pcs. <i>Replaces 150.2010 (50x)</i>		1
13	1579237	Flat washers without chamfer, black, 6,2x30x2, kit 20 Pcs. <i>Replaces 150.2009 (20x)</i>		1
14	1579238	Flat washers without chamfer, black, 6,4x25x1,5, kit 50 Pcs. <i>Replaces 1451753 (50x)</i>		1
15	1579239	Hinge rings, black, 8x12x2, kit 50 Pcs. <i>Replaces 150.5002 (50x)</i>		1
16	1579240	Distance sleeve, alu, 8,2x12x4,5, kit 20 Pcs. <i>Replaces 1420970 (20x)</i>		1
17	1579241	Distance sleeve, alu, 8,2x12x6, kit 20 Pcs. <i>Replaces 1420969 (20x)</i>		1
18	1581292	Distance sleeve, alu, 8,2x25x8, kit 2 Pcs. <i>Replaces 151.1002 (2x)</i>		1

**Washers**

Pos.	Part number	Description	Valid from → until	Qty
19	1583052	Distance sleeve, alu, black, 8,5x25x4, kit 10 Pcs. <i>Replaces 151.1014 (10x)</i>		1
20	1579242	Hinge rings, zinc plated blue, 10x14x2, kit 50 Pcs. <i>Replaces 1506666 (50x)</i>		1
21	1579243	Hinge rings, black, 12x16x2, kit 50 Pcs. <i>Replaces 150.5006 (50x)</i>		1
22	1579244	Rubber washers, 5,2x38x1, kit 20 Pcs. <i>Replaces 1424891 (20x)</i>		1
23	1579245	Disc springs, black, 6,2x12x0,9, kit 50 Pcs. <i>Replaces 160.1015 (50x)</i>		1
24	1579246	Conical spring washers, zinc plated blue, 6,4x10,2x0,7, kit 50 Pcs. <i>Replaces 161.1004 (50x)</i>		1
25	1579247	Conical spring washers, black, 6,4x14x2, kit 50 Pcs. <i>Replaces 161.2004 (50x)</i>		1
26	1579248	Conical spring washers, zinc plated blue, 6,5x11,9x1,6, kit 50 Pcs. <i>Replaces ZM206001A (50x)</i>		1
27	1579249	Ribbed lock washers, black, 4,3x7x1, kit 50 Pcs. <i>Replaces 155.2002 (50x)</i>		1
28	1579250	Ribbed lock washers, zinc plated blue, 8,4x13x1,4, kit 50 Pcs. <i>Replaces 155.2005 (50x)</i>		1
29	1579251	Ribbed lock washers, zinc plated blue, 17x24x2,1, kit 50 Pcs. <i>Replaces 155.2009 (50x)</i>		1
30	1579252	Curved spring washers, black, 5,3x10x1, kit 50 Pcs. <i>Replaces 1438515 (50x)</i>		1
31	1579253	Curved spring washers, black, 6,4x11x1,1, kit 50 Pcs. <i>Replaces 1438516 (50x)</i>		1
32	1579254	Curved spring washers, zinc plated blue, 8,4x15x1,7, kit 50 Pcs. <i>Replaces ZM208003A (50x)</i>		1
33	1579255	Curved spring washers, zinc plated blue, 10,5x18x2, kit 50 Pcs. <i>Replaces ZM201581A (50x)</i>		1
34	1579256	Split spring lock washers, black, 5,4x9x1,2, kit 50 Pcs. <i>Replaces 155.1003 (50x)</i>		1
35	1579257	Finishing washers 90° countersunk head screw, black, 5,3x16x2,8, kit 50 Pcs. <i>Replaces 150.6003 (50x)</i>		1
36	1579258	Finishing washers 90° countersunk head screw, black, 6,4x18x3,3, kit 50 Pcs. <i>Replaces 150.6004 (50x)</i>		1

# Nuts

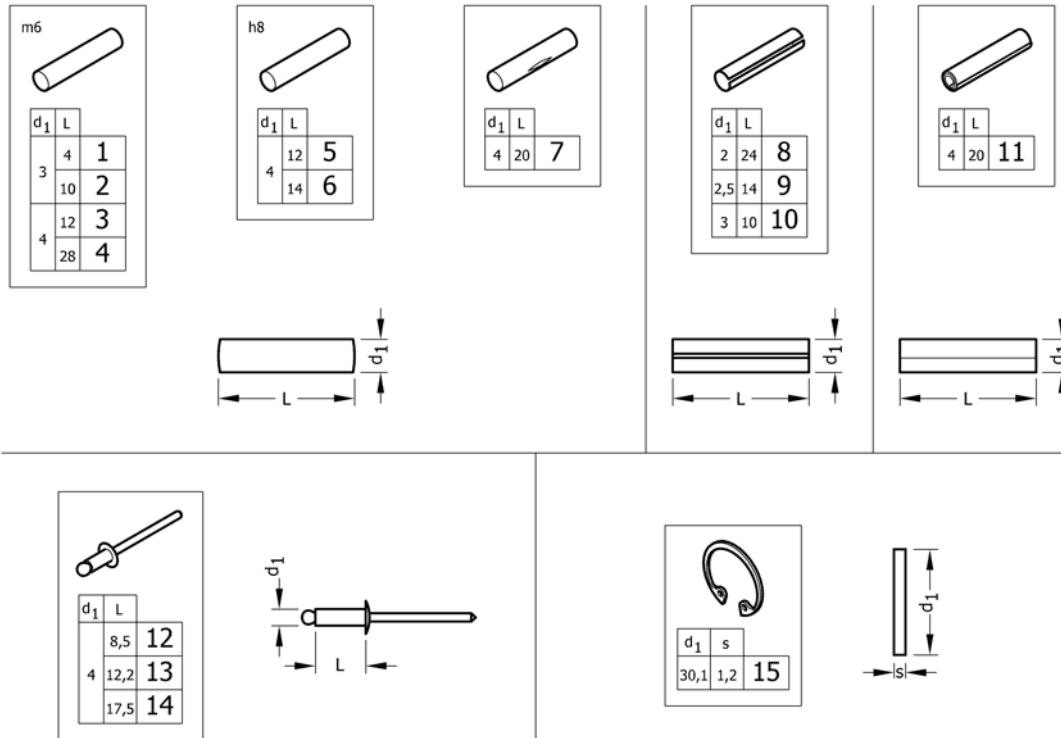


Pos.	Part number	Description	Valid from → until	Qty
1	1579207	Hex jam nuts, black, M6, kit 25 Pcs. <i>Replaces 108.3004 (25x)</i>		1
2	1579208	Hexagon nuts , black, M8, kit 25 Pcs. <i>Replaces 1420997 (25x)</i>		1
3	1579209	Hex cap nuts, low type, black, M6, kit 25 Pcs. <i>Replaces 109.5009 (25x)</i>		1
4	1579210	Prev.Torque lock nuts, thin type, with polyam.Insert, black, M4, kit 25 Pcs. <i>Replaces 109.1002 (25x)</i>		1
5	1579211	Prev.Torque lock nuts, thin type, with polyam.Insert, black, M5, kit 25 Pcs. <i>Replaces 109.1003 (25x)</i>		1
5	1579212	Prev.Torque lock nuts, thin type, with polya.Insert, zi.Bl., M5, kit 25 Pcs. <i>Replaces 109.5008 (25x)</i>		1
6	1579213	Prev.Torque lock nuts, thin type, with polyam.Insert, black, M6, kit 25 Pcs. <i>Replaces 109.1004 (25x)</i>		1
6	1579214	Prev.Torque lock nuts, thin type, with polya.Insert, zi.Bl., M6, kit 25 Pcs. <i>Replaces ZM106001A (25x)</i>		1
7	1579215	Prev.Torque lock nuts, thin type, with polyam.Insert, black, M8, kit 25 Pcs. <i>Replaces 109.1005 (25x)</i>		1
8	1579216	Prev.Torque lock nuts, thin type, with polya.Insert, black, M12, kit 4 Pcs. <i>Replaces 109.1007 (4x)</i>		1
9	1579217	Preva.Torq.Hex lock nuts, high type with poly.Insert, black, M5, kit 25 Pcs. <i>Replaces 1493771 (25x)</i>		1
10	1579218	Preva.Torq.Hex lock nuts, high type with poly.Insert, black, M6, kit 25 Pcs. <i>Replaces 109.5001 (25x)</i>		1
11	1579219	Prevail.Torque hex domed cap nuts with polyam.Insert, black, M5, kit 25 Pcs. <i>Replaces 109.5006 (25x)</i>		1
12	1579220	Prevail.Torque hex domed cap nuts with polyam.Insert, black, M6, kit 25 Pcs. <i>Replaces 109.5003 (25x)</i>		1
13	1579221	Prevailing torque hex lock nuts, all-metal, thin typeblack, M8, kit 10 Pcs. <i>Replaces 109.5005 (10x)</i>		1
14	1579222	Prevailing torque hex lock nuts, all-metal, thin typeblack, M12, kit 4 Pcs. <i>Replaces 109.5004 (4x)</i>		1
15	1579223	Blind rivet nuts, flat head, open type, black, M5, kit 10 Pcs. <i>Replaces 180.4007 (10x)</i>		1

## Nuts

Pos.	Part number	Description	Valid from → until	Qty
16	1579224	Blind rivet nut with low countersunk head, open type, black, M6, kit 10 Pcs. <i>Replaces 180.4105 (10x)</i>		1

## Pins, rivets, ...



Pos.	Part number	Description	Valid from → until	Qty
1	1579302	Parallel pins, Ø3x4 m6, kit 10 Pcs. <i>Replaces 1439336 (10x)</i>		1
2	1579303	Parallel pins, Ø3x10 m6, kit 10 Pcs. <i>Replaces 1439337 (10x)</i>		1
3	1579304	Parallel pins, Ø4x12 m6, kit 20 Pcs. <i>Replaces 200.1124 (20x)</i>		1
4	1579305	Parallel pins, Ø4x28 m6, kit 20 Pcs. <i>Replaces 1437344 (20x)</i>		1
5	1579306	Parallel pins, Ø4x12 h8, kit 20 Pcs. <i>Replaces 1487663 (20x)</i>		1
6	1579307	Parallel pins, Ø4x14 h8, kit 20 Pcs. <i>Replaces 1487662 (20x)</i>		1
7	1579308	Grooved pins, center grooved, Ø4x20, kit 20 Pcs. <i>Replaces 1517718 (20x)</i>		1
8	1579309	Slotted spring pins, heavy duty, Black, Ø2x24, kit 20 Pcs. <i>Replaces 200.4011 (20x)</i>		1
9	1579310	Slotted spring pins, heavy duty, Black, Ø2,5x14, kit 20 Pcs. <i>Replaces 200.4007 (20x)</i>		1
10	1579311	Slotted spring pins, heavy duty, stainless steel, Ø3x10, kit 20 Pcs. <i>Replaces 1567997 (20x)</i>		1
11	1579312	Spiral spring pins, Black, Ø4x20, kit 20 Pcs. <i>Replaces 200.3167 (20x)</i>		1
12	1579313	Dome head blind rivets, Ø4x8,5, kit 20 Pcs. <i>Replaces 1439292 (20x)</i>		1
13	1579314	Dome head blind rivets, Ø4x12,2, kit 20 Pcs. <i>Replaces 180.5116 (20x)</i>		1
14	1579315	Dome head blind rivets, Ø4x17,5, kit 20 Pcs. <i>Replaces 180.5019 (20x)</i>		1
15	1579316	Retaining rings for bores, Std.Design, Z.plat.Blue,Ø30,1X1,2, kit 20 Pcs. <i>Replaces ZM50J281A (20x)</i>		1



Yes, you can.®



---

**Belgium & Luxemburg:**

Invacare nv, Autobaan 22, B-8210 Loppem  
Tel: (32) (0)50 83 10 10, Fax: (32) (0)50 83 10 11  
belgium@invacare.com / www.invacare.be

**Denmark:**

Invacare AIS, Sdr. Ringvej 37, DK-2605 Brøndby  
Tel: (45) (0)36 90 00 00, Fax: (45) (0)36 90 00 01  
denmark@invacare.com / www.invacare.dk

**Deutschland:**

Invacare Aquatec GmbH, Alemannenstraße 10, D-88316 Isny  
Tel: (49) (0)75 62 7 00 0, Fax: (49) (0)75 62 7 00 66  
info@invacare-aquatec.com / www.invacare-aquatec.de

**European Distributor Organisation:**

Invacare, Kleiststraße 49, D-32457 Porta Westfalica  
Tel: (49) (0)57 31 754 540, Fax: (49) (0)57 31 754 541  
edo@invacare.com / www.invacare.eu.com

**España:**

Invacare SA, c/Areny s/n, Polígon Industrial de Celrà, E-17460 Celrà (Girona)  
Tel: (34) (0)972 49 32 00, Fax: (34) (0)972 49 32 20  
contactsp@invacare.com / www.invacare.es

**France:**

Invacare Poirier SAS, Route de St Roch, F-37230 Fondettes  
Tel: (33) (0)2 47 62 64 66, Fax: (33) (0)2 47 42 12 24  
contactfr@invacare.com / www.invacare.fr

**Ireland:**

Invacare Ireland Ltd, Unit 5 Seatown Business Campus, Seatown Road, Swords, County Dublin - Ireland  
Tel: (353) 1 810 7084, Fax: (353) 1 810 7085  
ireland@invacare.com / www.invacare.ie

**Italia:**

Invacare Mecc San s.r.l., Via dei Pini 62, I-36016 Thiene (VI)  
Tel: (39) 0445 38 00 59, Fax: (39) 0445 38 00 34  
italia@invacare.com / www.invacare.it

**Nederland:**

Invacare BV, Celsiusstraat 46, NL-6716 BZ Ede  
Tel: (31) (0)318 695 757, Fax: (31) (0)318 695 758  
nederland@invacare.com, csede@invacare.com / www.invacare.nl

**Norge:**

Invacare AS, Grensesvingen 9, Postboks 6230, Etterstad, N-0603 Oslo  
Tel: (47) (0)22 57 95 00, Fax: (47) (0)22 57 95 01  
norway@invacare.com, island@invacare.com / www.invacare.no

**Österreich:**

Invacare Austria GmbH, Herzog Odilostrasse 101, A-5310 Mondsee  
Tel: (43) 6232 5535 0, Fax: (43) 6232 5535 4  
info-austria@invacare.com / www.invacare.at

**Portugal:**

Invacare Lda, Rua Estrada Velha, 949, P-4465-784 Leça do Balio  
Tel: (351) (0)225 1059 46/47, Fax: (351) (0)225 1057 39  
portugal@invacare.com / www.invacare.pt

**Sverige & Suomi:**

Invacare AB, Fagerstagatan 9, S-163 91 Spånga  
Tel: (46) (0)8 761 70 90, Fax: (46) (0)8 761 81 08  
sweden@invacare.com, finland@invacare.com / www.invacare.se

**Switzerland:**

Invacare AG, Benkenstrasse 260, CH-4108 Witterswil  
Tel: (41) (0)61 487 70 80, Fax: (41) (0)61 487 70 81  
switzerland@invacare.com / www.invacare.ch

**United Kingdom:**

Invacare Limited, Pencoed Technology Park, Pencoed, Bridgend CF35 5AQ  
Switchboard Tel: (44) (0)1656 776200, Fax: (44) (0)1656 776201  
Customer services Tel: (44) (0)1656 776222, Fax: (44) (0)1656 776220  
uk@invacare.com / www.invacare.co.uk