

Spare Parts Catalogue

Version: 2015/11/02a NL



KÜSCHALL K-SERIES *attract*



Yes, you can.®

General Information

For any order of spare parts the following information is required:

- Product type*
- Product name & model*
- Serial Number*
- Part-Number*
- Part-Description*

Exploded view drawings and code numbers are not contractual and subject to modification, in relation to Invacare® continuous product improvement policy to meet end users needs.

The reproduction or use of this work, or of any substantial part of this work, in any form or by any electronic, mechanical or other means, including photocopying, scanning and recording, and in any information storage and retrieval system, including electronic transmission, is forbidden without the prior written permission of Invacare® International Sarl.



Yes, you can.®

TABLE OF CONTENTS

(INFORMATION)

| | |
|-----------------------|---|
| (INFORMATION) | 5 |
| (Abbreviations) | 6 |
| (Frame colours) | 7 |

(CHASSIS)

| | |
|---------------------------------------|----|
| (CHASSIS) | 8 |
| (Frame Aluminium 75° adducted) | 9 |
| (Frame Aluminium 90° adducted) | 11 |
| (Axle tube Aluminium) | 13 |
| (Axle holder) | 14 |
| (Rear wheel extension standard) | 15 |

(SEAT)

| | |
|-------------------------------|----|
| (SEAT) | 16 |
| (Seat module) | 17 |
| (Seatcover standard) | 19 |
| (Seatcover adjustable) | 21 |
| (Seat cushion standard) | 23 |

(BACKREST)

| | |
|---|----|
| (BACKREST) | 24 |
| (Straight bar backrest) | 25 |
| (Bands to adjustable backrest) | 26 |
| (Cover to adjustable backrest) | 27 |
| (Push handles, height adjustable, rear set) | 28 |

(FOOTREST)

| | |
|--|----|
| (FOOTREST) | 29 |
| (Footrest standard for adducted frame) | 30 |
| (Footrest angle adjustable for adducted frame) | 32 |
| (Footrest standard highmounted for adducted frame) | 33 |
| (Footrest angle adjustable highmounted for adducted frame) | 35 |
| (Calf strap) | 36 |

(SIDERESTS)

| | |
|------------------------------------|----|
| (SIDERESTS) | 37 |
| (Clothes-guards composite) | 38 |
| (Clothes-guards carbon) | 39 |
| (Mudguards composite) | 40 |
| (Mudguards carbon) | 41 |
| (Siderest height adjustable) | 42 |

(FRONT WHEELS)

| | |
|---|----|
| (FRONT WHEELS) | 43 |
| (Front forks standard) | 44 |
| (Configuration table for front fork size) | 45 |
| (Front wheels) | 46 |



Yes, you can.®

TABLE OF CONTENTS

(REAR WHEELS)

| | |
|---|----|
| (REAR WHEELS) | 47 |
| (Economy wheel) | 48 |
| (24" Kuschall rear wheels complete) | 49 |
| (High Performance wheel) | 50 |
| (Spinergy LXX wheel) | 51 |
| (Handrim) | 52 |
| (Fixation handrim) | 53 |
| (Tyre) | 54 |
| (Inner tube and rim protector) | 55 |
| (Spoke guard) | 56 |
| (Quick release axle and bearing) | 57 |

(BRAKES)

| | |
|----------------|----|
| (BRAKES) | 58 |
| (Brakes) | 59 |

(SAFETY OPTIONS)

| | |
|-------------------------------------|----|
| (SAFETY OPTIONS) | 60 |
| (Seatbelt for transportation) | 61 |

(SEAT ACCESSORIES)

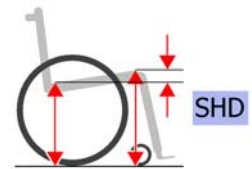
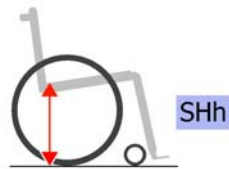
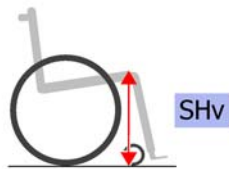
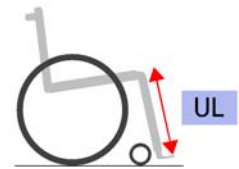
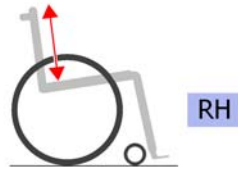
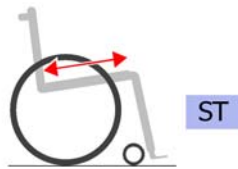
| | |
|--------------------------|----|
| (SEAT ACCESSORIES) | 62 |
| (Seat frame bag) | 63 |

(OPTIONS & ACCESSORIES)

| | |
|-------------------------------|----|
| (OPTIONS & ACCESSORIES) | 64 |
| (Antitipper) | 65 |
| (Tipper aid) | 66 |
| (Cane holder) | 67 |
| (Chair accessories) | 68 |

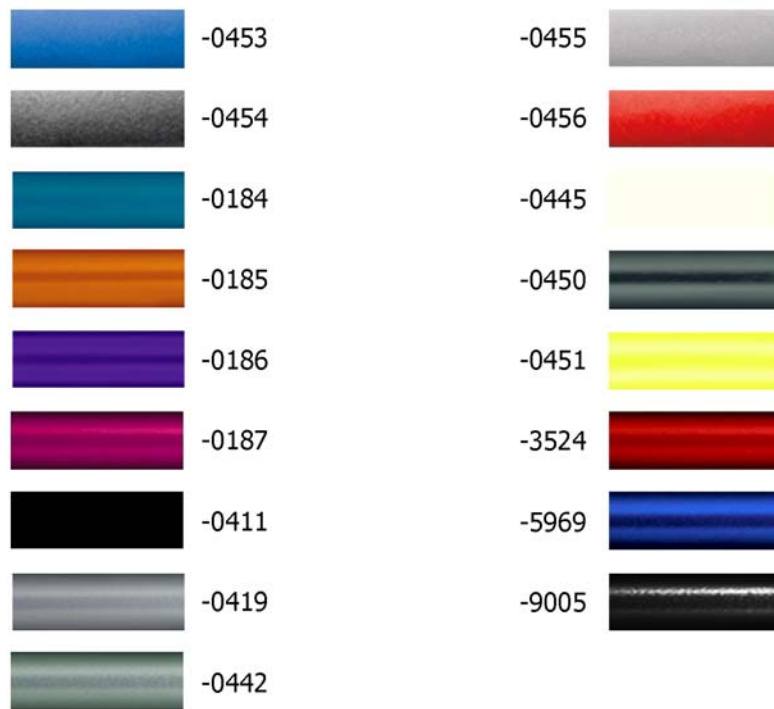
| | | | |
|---|---|-----------------|---|
| 1 | - | (Abbreviations) | 1 |
| 2 | - | (Frame colours) | 1 |

(Abbreviations)



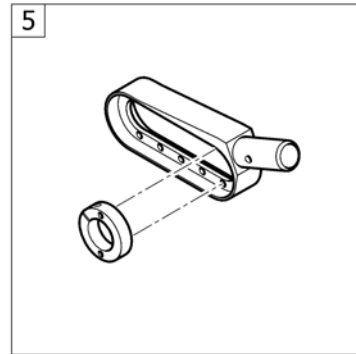
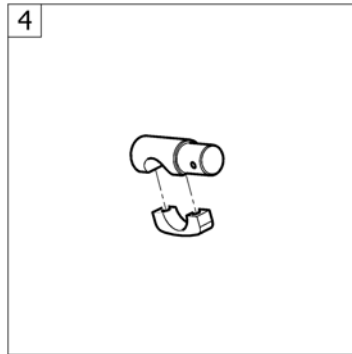
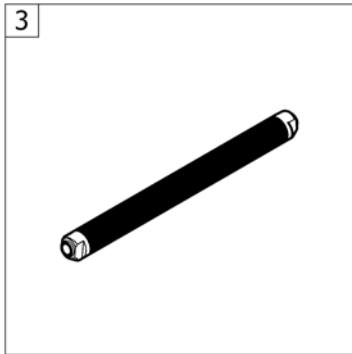
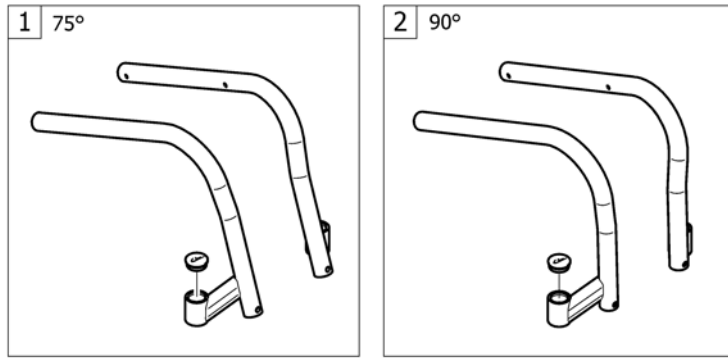
| | | | |
|-----|---|---|---|
| L | - | (Left side (sitting in the wheelchair)) | 0 |
| R | - | (Right side (sitting in the wheelchair)) | 0 |
| L+R | - | (Left and right sides (paire)) | 0 |
| SB | - | (Seat width (2 digits in cm or 3 digits in mm)) | 0 |
| ST | - | (Seat depth (2 digits in cm or 3 digits in mm)) | 0 |
| RH | - | (Backrest height (2 digits in cm or 3 digits in mm)) | 0 |
| UL | - | (Knee-to-heel length (2 digits in cm or 3 digits in mm)) | 0 |
| SHv | - | (Front seat-to-floor height (2 digits in cm or 3 digits in mm)) | 0 |
| SHh | - | (Rear seat-to-floor height (2 digits in cm or 3 digits in mm)) | 0 |
| SHD | - | (Front and rear seat-to-floor height difference (2 digits in cm or 3 digits in mm)) | 0 |

(Frame colours)



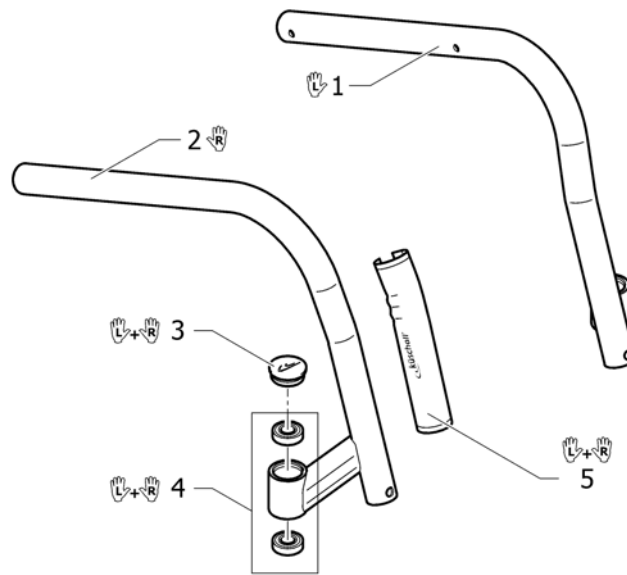
| | | | |
|-------|---|--|---|
| -0453 | - | (Color code for attract blue frames) | 0 |
| -0454 | - | (Color code for attract black frames) | 0 |
| -0455 | - | (Color code for attract grey frames) | 0 |
| -0456 | - | (Color code for attract red frames) | 0 |
| -0184 | - | (Color code for mercury blue frames) <i>Additional lead time, please contact Küschall customer service</i> | 0 |
| -0185 | - | (Color code for dynamite orange frames) <i>Additional lead time, please contact Küschall customer service</i> | 0 |
| -0186 | - | (Color code for atomic violet frames) <i>Additional lead time, please contact Küschall customer service</i> | 0 |
| -0187 | - | (Color code for nitro pink frames) <i>Additional lead time, please contact Küschall customer service</i> | 0 |
| -0411 | - | (Color code for black matt frames) <i>Additional lead time, please contact Küschall customer service</i> | 0 |
| -0419 | - | (Color code for silver grey frames) <i>Additional lead time, please contact Küschall customer service</i> | 0 |
| -0442 | - | (Color code for night shimmer frames) <i>Additional lead time, please contact Küschall customer service</i> | 0 |
| -0445 | - | (Color code for ivory white frames) <i>Additional lead time, please contact Küschall customer service</i> | 0 |
| -0450 | - | (Color code for smokey grey frames) <i>Additional lead time, please contact Küschall customer service</i> | 0 |
| -0451 | - | (Color code for flashy yellow frames) <i>Additional lead time, please contact Küschall customer service</i> | 0 |
| -3524 | - | (Color code for royal red frames) <i>Additional lead time, please contact Küschall customer service</i> | 0 |
| -5969 | - | (Color code for royal blue frames) <i>Additional lead time, please contact Küschall customer service</i> | 0 |
| -9005 | - | (Color code for glossy black frames) <i>Additional lead time, please contact Küschall customer service</i> | 0 |

(CHASSIS)



| | | | |
|---|---|---------------------------------|---|
| 1 | - | (Frame Aluminium 75° adducted) | 1 |
| 2 | - | (Frame Aluminium 90° adducted) | 1 |
| 3 | - | (Axle tube Aluminium) | 1 |
| 4 | - | (Axle holder) | 1 |
| 5 | - | (Rear wheel extension standard) | 1 |

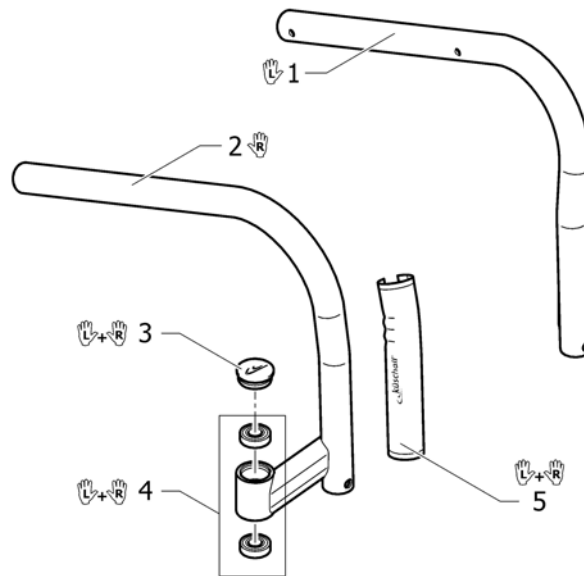
01.07.2015 →

(Frame Aluminium 75° adducted)

| | | | |
|---|--------------|---|---|
| 1 | 1583471-0184 | (Front frame 75°, adducted, left, mercury blue) | 1 |
| 1 | 1583471-0185 | (Front frame 75°, adducted, left, dynamite orange) | 1 |
| 1 | 1583471-0186 | (Front frame 75°, adducted, left, atomic violet) | 1 |
| 1 | 1583471-0187 | (Front frame 75°, adducted, left, nitro pink) | 1 |
| 1 | 1583471-0411 | (Front frame 75°, adducted, left, black matt) | 1 |
| 1 | 1583471-0419 | (Front frame 75°, adducted, left, silver grey) | 1 |
| 1 | 1583471-0442 | (Front frame 75°, adducted, left, night shimmer) | 1 |
| 1 | 1583471-0445 | (Front frame 75°, adducted, left, ivory white) | 1 |
| 1 | 1583471-0450 | (Front frame 75°, adducted, left, smokey grey) | 1 |
| 1 | 1583471-0451 | (Front frame 75°, adducted, left, flashy yellow) | 1 |
| 1 | 1583471-0453 | (Front frame 75°, adducted, left, attract blue) | 1 |
| 1 | 1583471-0454 | (Front frame 75°, adducted, left, attract black) | 1 |
| 1 | 1583471-0455 | (Front frame 75°, adducted, left, attract grey) | 1 |
| 1 | 1583471-0456 | (Front frame 75°, adducted, left, attract red) | 1 |
| 1 | 1583471-3524 | (Front frame 75°, adducted, left, royal red) | 1 |
| 1 | 1583471-5969 | (Front frame 75°, adducted, left, royal blue) | 1 |
| 1 | 1583471-9005 | (Front frame 75°, adducted, left, glossy black) | 1 |
| 2 | 1583472-0184 | (Front frame 75°, adducted, right, mercury blue) | 1 |
| 2 | 1583472-0185 | (Front frame 75°, adducted, right, dynamite orange) | 1 |
| 2 | 1583472-0186 | (Front frame 75°, adducted, right, atomic violet) | 1 |
| 2 | 1583472-0187 | (Front frame 75°, adducted, right, nitro pink) | 1 |
| 2 | 1583472-0411 | (Front frame 75°, adducted, right, black matt) | 1 |
| 2 | 1583472-0419 | (Front frame 75°, adducted, right, silver grey) | 1 |
| 2 | 1583472-0442 | (Front frame 75°, adducted, right, night shimmer) | 1 |
| 2 | 1583472-0445 | (Front frame 75°, adducted, right, ivory white) | 1 |
| 2 | 1583472-0450 | (Front frame 75°, adducted, right, smokey grey) | 1 |
| 2 | 1583472-0451 | (Front frame 75°, adducted, right, flashy yellow) | 1 |
| 2 | 1583472-0453 | (Front frame 75°, adducted, right, attract blue) | 1 |
| 2 | 1583472-0454 | (Front frame 75°, adducted, right, attract black) | 1 |
| 2 | 1583472-0455 | (Front frame 75°, adducted, right, attract grey) | 1 |
| 2 | 1583472-0456 | (Front frame 75°, adducted, right, attract red) | 1 |

(Frame Aluminium 75° adducted)

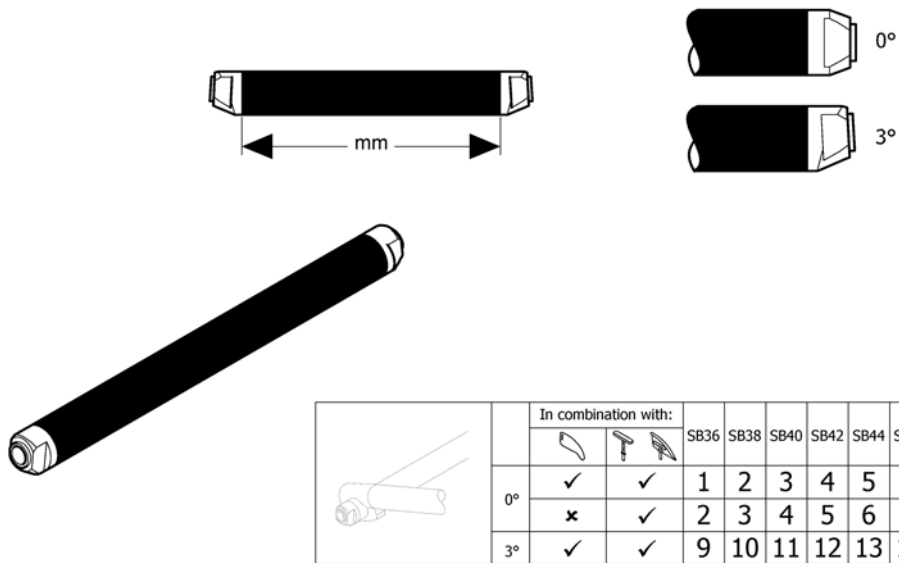
| | | | |
|---|--------------|---|---|
| 2 | 1583472-3524 | (Front frame 75°, adducted, right, royal red) | 1 |
| 2 | 1583472-5969 | (Front frame 75°, adducted, right, royal blue) | 1 |
| 2 | 1583472-9005 | (Front frame 75°, adducted, right, glossy black) | 1 |
| 3 | 1487961-0004 | Kusch balhoofd afdekdop zwart pp | 1 |
| 4 | 1451718 | K-Serie 2005 voorw.vork lager set (set = 4 stuks) | 1 |
| 5 | 1529372 | K-Serie 2005 framedelen beschermers pp | 1 |



| | | | |
|---|--------------|---|---|
| 1 | 1583473-0184 | (Front frame 90°, adducted, left, mercury blue) | 1 |
| 1 | 1583473-0185 | (Front frame 90°, adducted, left, dynamite orange) | 1 |
| 1 | 1583473-0186 | (Front frame 90°, adducted, left, atomic violet) | 1 |
| 1 | 1583473-0187 | (Front frame 90°, adducted, left, nitro pink) | 1 |
| 1 | 1583473-0411 | (Front frame 90°, adducted, left, black matt) | 1 |
| 1 | 1583473-0419 | (Front frame 90°, adducted, left, silver grey) | 1 |
| 1 | 1583473-0442 | (Front frame 90°, adducted, left, night shimmer) | 1 |
| 1 | 1583473-0445 | (Front frame 90°, adducted, left, ivory white) | 1 |
| 1 | 1583473-0450 | (Front frame 90°, adducted, left, smokey grey) | 1 |
| 1 | 1583473-0451 | (Front frame 90°, adducted, left, flashy yellow) | 1 |
| 1 | 1583473-0453 | (Front frame 90°, adducted, left, attract blue) | 1 |
| 1 | 1583473-0454 | (Front frame 90°, adducted, left, attract black) | 1 |
| 1 | 1583473-0455 | (Front frame 90°, adducted, left, attract grey) | 1 |
| 1 | 1583473-0456 | (Front frame 90°, adducted, left, attract red) | 1 |
| 1 | 1583473-3524 | (Front frame 90°, adducted, left, royal red) | 1 |
| 1 | 1583473-5969 | (Front frame 90°, adducted, left, royal blue) | 1 |
| 1 | 1583473-9005 | (Front frame 90°, adducted, left, glossy black) | 1 |
| 2 | 1583474-0184 | (Front frame 90°, adducted, right, mercury blue) | 1 |
| 2 | 1583474-0185 | (Front frame 90°, adducted, right, dynamite orange) | 1 |
| 2 | 1583474-0186 | (Front frame 90°, adducted, right, atomic violet) | 1 |
| 2 | 1583474-0187 | (Front frame 90°, adducted, right, nitro pink) | 1 |
| 2 | 1583474-0411 | (Front frame 90°, adducted, right, black matt) | 1 |
| 2 | 1583474-0419 | (Front frame 90°, adducted, right, silver grey) | 1 |
| 2 | 1583474-0442 | (Front frame 90°, adducted, right, night shimmer) | 1 |
| 2 | 1583474-0445 | (Front frame 90°, adducted, right, ivory white) | 1 |
| 2 | 1583474-0450 | (Front frame 90°, adducted, right, smokey grey) | 1 |
| 2 | 1583474-0451 | (Front frame 90°, adducted, right, flashy yellow) | 1 |
| 2 | 1583474-0453 | (Front frame 90°, adducted, right, attract blue) | 1 |
| 2 | 1583474-0454 | (Front frame 90°, adducted, right, attract black) | 1 |
| 2 | 1583474-0455 | (Front frame 90°, adducted, right, attract grey) | 1 |
| 2 | 1583474-0456 | (Front frame 90°, adducted, right, attract red) | 1 |

(Frame Aluminium 90° adducted)

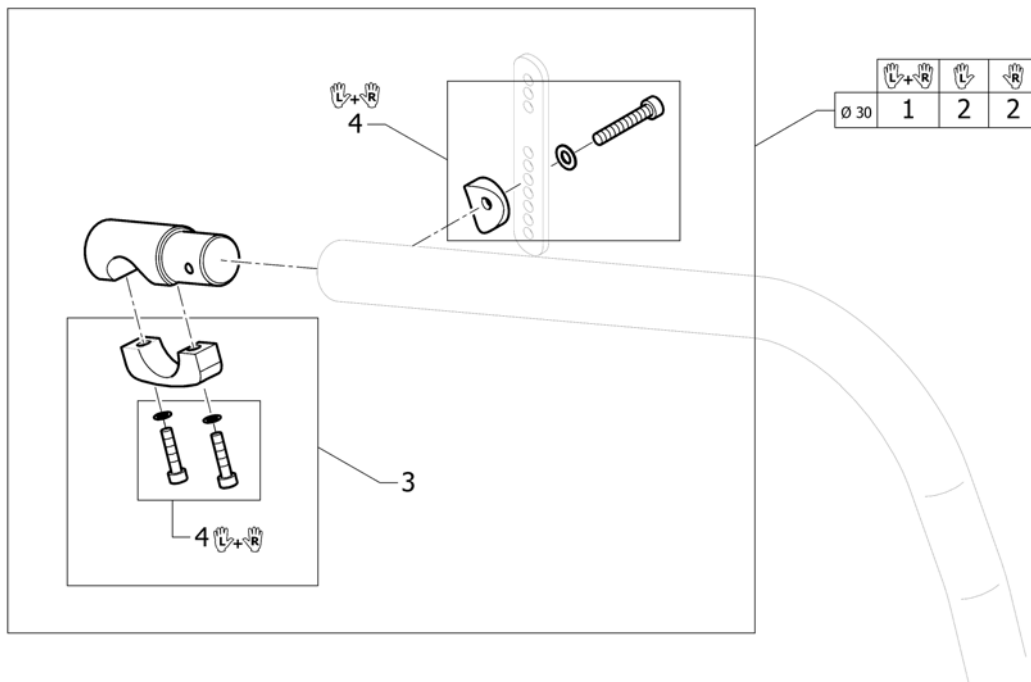
| | | | |
|---|--------------|---|---|
| 2 | 1583474-3524 | (Front frame 90°, adducted, right, royal red) | 1 |
| 2 | 1583474-5969 | (Front frame 90°, adducted, right, royal blue) | 1 |
| 2 | 1583474-9005 | (Front frame 90°, adducted, right, glossy black) | 1 |
| 3 | 1487961-0004 | Kusch balhoofd afdekdop zwart pp | 1 |
| 4 | 1451718 | K-Serie 2005 voorw.vork lager set (set = 4 stuks) | 1 |
| 5 | 1529372 | K-Serie 2005 framedelen beschermers pp | 1 |



| | In combination with: | | SB36 | SB38 | SB40 | SB42 | SB44 | SB46 | SB48 |
|----|----------------------|---|------|------|------|------|------|------|------|
| | | | | | | | | | |
| 0° | ✓ | ✓ | 1 | 2 | 3 | 4 | 5 | 6 | 7 |
| | ✗ | ✓ | 2 | 3 | 4 | 5 | 6 | 7 | 8 |
| 3° | ✓ | ✓ | 9 | 10 | 11 | 12 | 13 | 14 | 15 |

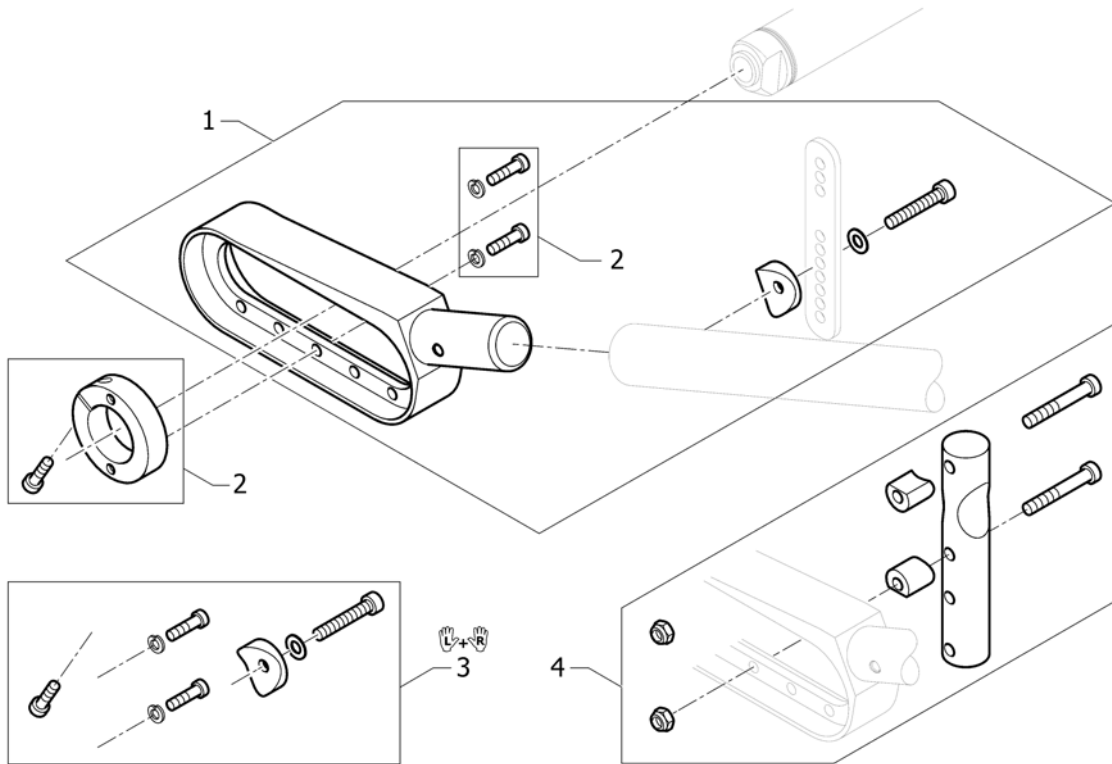
| | | | |
|----|---------|--|---|
| 1 | 1583478 | (Axle tube Aluminium 0° complete, 338mm) | 1 |
| 2 | 1583479 | (Axle tube Aluminium 0° complete, 358mm) | 1 |
| 3 | 1583480 | (Axle tube Aluminium 0° complete, 378mm) | 1 |
| 4 | 1583481 | (Axle tube Aluminium 0° complete, 398mm) | 1 |
| 5 | 1583482 | (Axle tube Aluminium 0° complete, 418mm) | 1 |
| 6 | 1583483 | (Axle tube Aluminium 0° complete, 438mm) | 1 |
| 7 | 1583484 | (Axle tube Aluminium 0° complete, 458mm) | 1 |
| 8 | 1583637 | (Axle tube Aluminium 0° complete, 478mm) | 1 |
| 9 | 1583486 | (Axle tube Aluminium 3° complete, 364mm) | 1 |
| 10 | 1583487 | (Axle tube Aluminium 3° complete, 384mm) | 1 |
| 11 | 1583488 | (Axle tube Aluminium 3° complete, 404mm) | 1 |
| 12 | 1583489 | (Axle tube Aluminium 3° complete, 424mm) | 1 |
| 13 | 1583490 | (Axle tube Aluminium 3° complete, 444mm) | 1 |
| 14 | 1583491 | (Axle tube Aluminium 3° complete, 464mm) | 1 |
| 15 | 1583492 | (Axle tube Aluminium 3° complete, 484mm) | 1 |

(Axle holder)



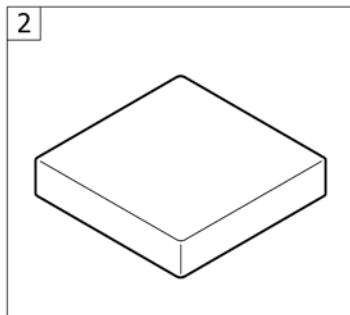
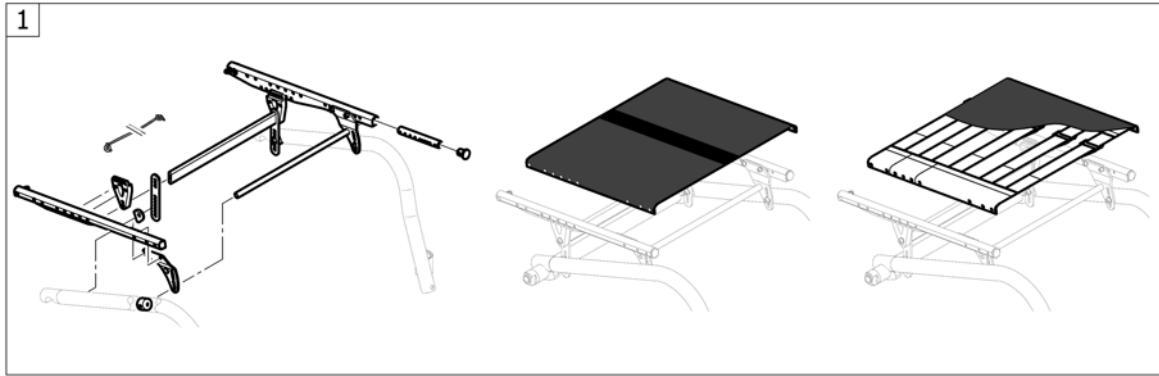
| | | | |
|---|---------|-------------------------------------|---|
| 1 | 1583953 | (Axle holder complete Ø30, pair) | 1 |
| 2 | 1583954 | (Axle holder complete Ø30) | 2 |
| 3 | 1583955 | (Axle holder latch Ø30) | 2 |
| 4 | 1583956 | (Assembly kit for pair axle holder) | 1 |

(Rear wheel extension standard)



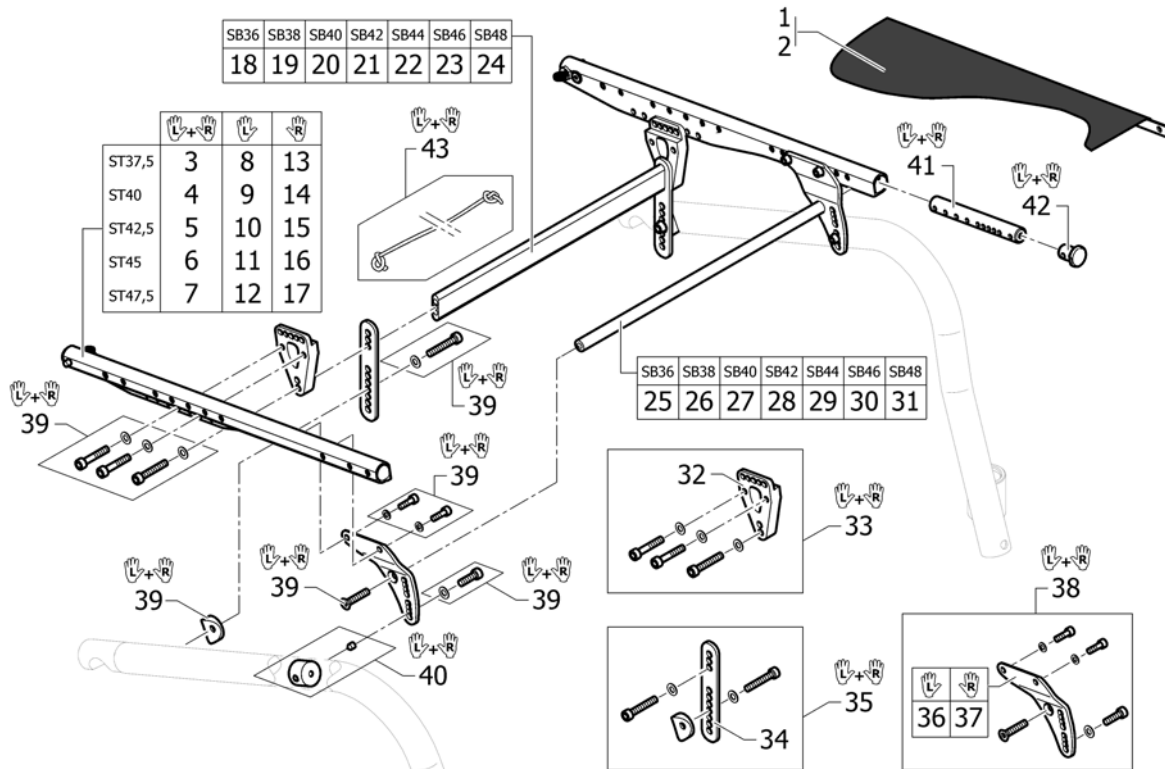
| | | | |
|---|---------|--|---|
| 1 | 1589112 | (Rear wheel extension standard, black, complete) | 2 |
| 2 | 1545857 | K-Serie G3 achterw.as ve rst.klemr.50x30 ps rood | 2 |
| 3 | 1545860 | K-Serie G3 achterw.as ve rst.bev.set | 1 |
| 4 | 1545861 | Kusch anti-tip bev.op as verlenger ps (G3) | 2 |

(SEAT)



| | | | |
|---|---|-------------------------|---|
| 1 | - | (Seat module) | 1 |
| 2 | - | (Seat cushion standard) | 1 |

(Seat module)

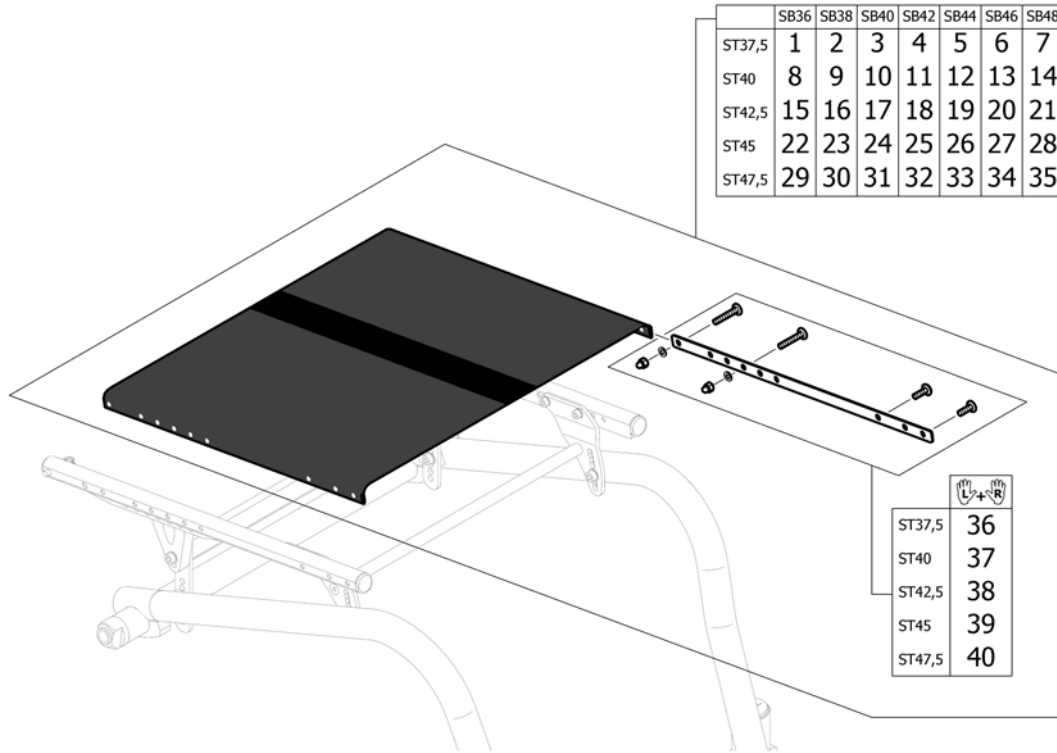


| | | | |
|----|---------|-------------------------------------|---|
| 1 | - | (Seatcover standard) | 1 |
| 2 | - | (Seatcover adjustable) | 1 |
| 3 | 1583961 | (Seat frame rail ST37,5, pair) | 1 |
| 4 | 1583962 | (Seat frame rail ST40, pair) | 1 |
| 5 | 1583963 | (Seat frame rail ST42,5, pair) | 1 |
| 6 | 1583964 | (Seat frame rail ST45, pair) | 1 |
| 7 | 1583965 | (Seat frame rail ST47,5, pair) | 1 |
| 8 | 1583966 | (Seat frame rail ST37,5 left) | 1 |
| 9 | 1583967 | (Seat frame rail ST40 left) | 1 |
| 10 | 1583968 | (Seat frame rail ST42,5 left) | 1 |
| 11 | 1583969 | (Seat frame rail ST45 left) | 1 |
| 12 | 1583970 | (Seat frame rail ST47,5 left) | 1 |
| 13 | 1583971 | (Seat frame rail ST37,5 right) | 1 |
| 14 | 1583972 | (Seat frame rail ST40 right) | 1 |
| 15 | 1583973 | (Seat frame rail ST42,5 right) | 1 |
| 16 | 1583974 | (Seat frame rail ST45 right) | 1 |
| 17 | 1583975 | (Seat frame rail ST47,5 right) | 1 |
| 18 | 1583976 | (Seat brace horizontal rear, 282mm) | 1 |
| 19 | 1583977 | (Seat brace horizontal rear, 302mm) | 1 |
| 20 | 1583978 | (Seat brace horizontal rear, 322mm) | 1 |
| 21 | 1583979 | (Seat brace horizontal rear, 342mm) | 1 |
| 22 | 1583980 | (Seat brace horizontal rear, 362mm) | 1 |
| 23 | 1583981 | (Seat brace horizontal rear, 382mm) | 1 |
| 24 | 1583982 | (Seat brace horizontal rear, 402mm) | 1 |
| 25 | 1583983 | (Seat brace horizontal, 289mm) | 1 |
| 26 | 1583984 | (Seat brace horizontal, 309mm) | 1 |
| 27 | 1583985 | (Seat brace horizontal, 329mm) | 1 |
| 28 | 1583986 | (Seat brace horizontal, 349mm) | 1 |
| 29 | 1583987 | (Seat brace horizontal, 369mm) | 1 |
| 30 | 1583988 | (Seat brace horizontal, 389mm) | 1 |
| 31 | 1583989 | (Seat brace horizontal, 409mm) | 1 |

(Seat module)

| | | | |
|----|--------------|--|---|
| 32 | 1583990 | (Hinge bracket Seat Frame, rear) | 2 |
| 33 | 1583991 | (Hinge bracket-Set Seat Frame, rear, pair) | 1 |
| 34 | 1583992 | (Seat brace vertical) | 2 |
| 35 | 1583993 | (Seat brace-Set vertical, pair) | 1 |
| 36 | 1583995 | (Hinge bracket Front Seat, left) | 1 |
| 37 | 1583994 | (Hinge bracket Front Seat, right) | 1 |
| 38 | 1583996 | KUSCH ZITTING FIXATIE VOOR PP | 1 |
| 39 | 1583997 | (Fixation kit to hinge brackets) | 1 |
| 40 | 1583998 | (Threadet sleeve, pair) | 1 |
| 41 | 1583999 | (Thread insert Front Seat Frame, pair) | 1 |
| 42 | 1486539-0004 | Kusch zitbuis afdekdop zwart pp | 1 |
| 43 | 1554427 | (Cord for backrest foldable) | 1 |

(Seatcover standard)

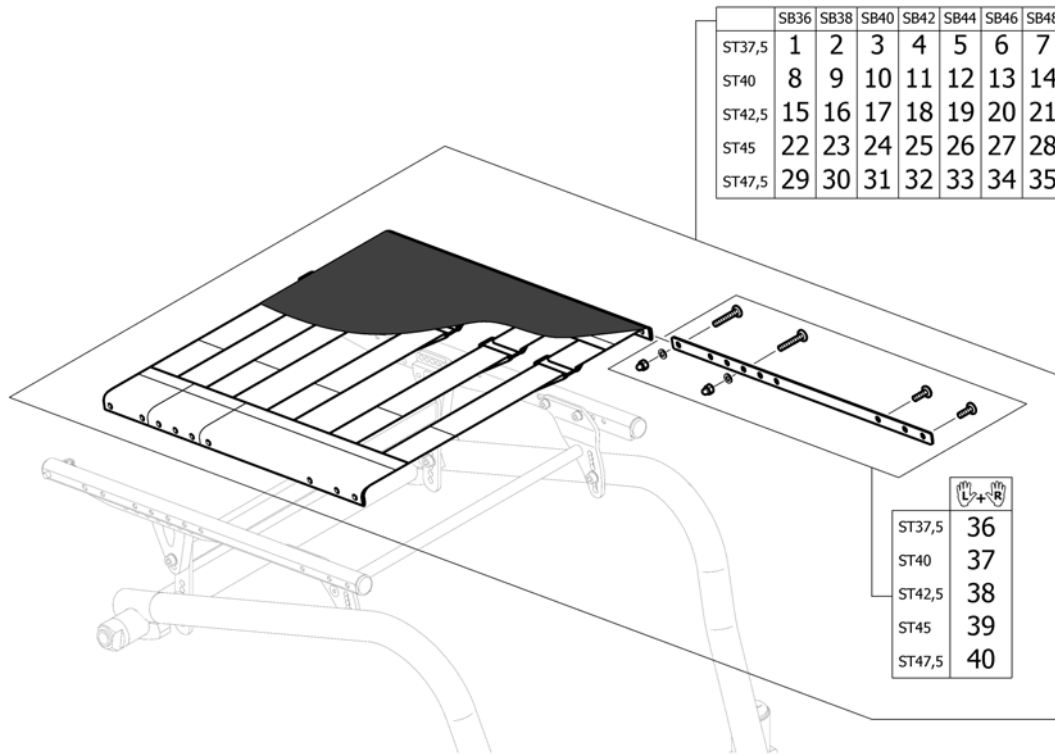


| | | | |
|----|---------|--|---|
| 1 | 1584002 | (Seatcover standard complete SB36 ST37,5) | 1 |
| 2 | 1584003 | (Seatcover standard complete SB38 ST37,5) | 1 |
| 3 | 1584004 | (Seatcover standard complete SB40 ST37,5) | 1 |
| 4 | 1584005 | (Seatcover standard complete SB42 ST37,5) | 1 |
| 5 | 1584006 | (Seatcover standard complete SB44 ST37,5) | 1 |
| 6 | 1584007 | (Seatcover standard complete SB46 ST37,5) | 1 |
| 7 | 1584008 | (Seatcover standard complete SB48 ST37,5) | 1 |
| 8 | 1584009 | (Seatcover standard complete SB36 ST40) | 1 |
| 9 | 1584010 | (Seatcover standard complete SB38 ST40) | 1 |
| 10 | 1584011 | (Seatcover standard complete SB40 ST40) | 1 |
| 11 | 1584012 | (Seatcover standard complete SB42 ST40) | 1 |
| 12 | 1584013 | (Seatcover standard complete SB44 ST40) | 1 |
| 13 | 1584059 | (Seatcover standard complete SB46 ST40) | 1 |
| 14 | 1584060 | (Seatcover standard complete SB48 ST40) | 1 |
| 15 | 1584061 | (Seatcover standard complete SB36 ST42,5) | 1 |
| 16 | 1584062 | (Seatcover standard complete SB38 ST42,5) | 1 |
| 17 | 1584063 | (Seatcover standard complete SB40 ST42,5) | 1 |
| 18 | 1584064 | (Seatcover standard complete SB42 ST42,5) | 1 |
| 19 | 1584065 | (Seatcover standard complete SB44 ST42,5) | 1 |
| 20 | 1584066 | (Seatcover standard complete SB46 ST42,5) | 1 |
| 21 | 1584067 | (Seatcover standard complete SB48 ST42,5) | 1 |
| 22 | 1584068 | (Seatcover standard complete SB36 ST45/+5) | 1 |
| 23 | 1584069 | (Seatcover standard complete SB38 ST45/+5) | 1 |
| 24 | 1584070 | (Seatcover standard complete SB40 ST45/+5) | 1 |
| 25 | 1584071 | (Seatcover standard complete SB42 ST45/+5) | 1 |
| 26 | 1584072 | (Seatcover standard complete SB44 ST45/+5) | 1 |
| 27 | 1584073 | (Seatcover standard complete SB46 ST45/+5) | 1 |
| 28 | 1584074 | (Seatcover standard complete SB48 ST45/+5) | 1 |
| 29 | 1584075 | (Seatcover standard complete SB36 ST47,5) | 1 |
| 30 | 1584076 | (Seatcover standard complete SB38 ST47,5) | 1 |
| 31 | 1584077 | (Seatcover standard complete SB40 ST47,5) | 1 |

(Seatcover standard)

| | | | |
|----|---------|---|---|
| 32 | 1584078 | (Seatcover standard complete SB42 ST47,5) | 1 |
| 33 | 1584079 | (Seatcover standard complete SB44 ST47,5) | 1 |
| 34 | 1584080 | (Seatcover standard complete SB46 ST47,5) | 1 |
| 35 | 1584196 | (Seatcover standard complete SB48 ST47,5) | 1 |
| 36 | 1584676 | (Seat rail kit ST37,5, pair) | 1 |
| 37 | 1584677 | (Seat rail kit ST40, pair) | 1 |
| 38 | 1584748 | (Seat rail kit ST42,5, pair) | 1 |
| 39 | 1584749 | (Seat rail kit ST45, pair) | 1 |
| 40 | 1584750 | (Seat rail kit ST47,5, pair) | 1 |

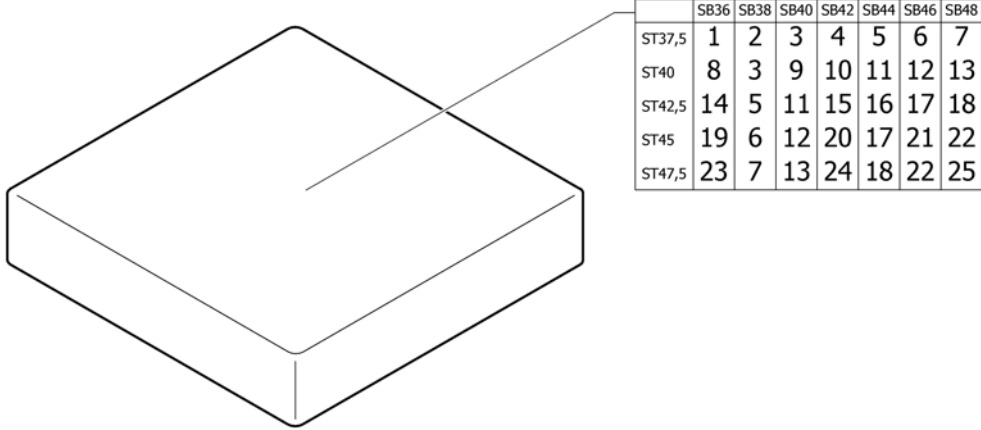
Küschall® K-Series Attract | (SEAT)
(Seatcover adjustable)



| | | | |
|----|---------|--|---|
| 1 | 1584197 | (Seatcover adjustable complete SB36 ST37,5) | 1 |
| 2 | 1584241 | (Seatcover adjustable complete SB38 ST37,5) | 1 |
| 3 | 1584242 | (Seatcover adjustable complete SB40 ST37,5) | 1 |
| 4 | 1584243 | (Seatcover adjustable complete SB42 ST37,5) | 1 |
| 5 | 1584274 | (Seatcover adjustable complete SB44 ST37,5) | 1 |
| 6 | 1584275 | (Seatcover adjustable complete SB46 ST37,5) | 1 |
| 7 | 1584276 | (Seatcover adjustable complete SB48 ST37,5) | 1 |
| 8 | 1584332 | (Seatcover adjustable complete SB36 ST40) | 1 |
| 9 | 1584333 | (Seatcover adjustable complete SB38 ST40) | 1 |
| 10 | 1584334 | (Seatcover adjustable complete SB40 ST40) | 1 |
| 11 | 1584336 | (Seatcover adjustable complete SB42 ST40) | 1 |
| 12 | 1584337 | (Seatcover adjustable complete SB44 ST40) | 1 |
| 13 | 1584338 | (Seatcover adjustable complete SB46 ST40) | 1 |
| 14 | 1584339 | (Seatcover adjustable complete SB48 ST40) | 1 |
| 15 | 1584341 | (Seatcover adjustable complete SB36 ST42,5) | 1 |
| 16 | 1584342 | (Seatcover adjustable complete SB38 ST42,5) | 1 |
| 17 | 1584432 | (Seatcover adjustable complete SB40 ST42,5) | 1 |
| 18 | 1584481 | (Seatcover adjustable complete SB42 ST42,5) | 1 |
| 19 | 1584482 | (Seatcover adjustable complete SB44 ST42,5) | 1 |
| 20 | 1584483 | (Seatcover adjustable complete SB46 ST42,5) | 1 |
| 21 | 1584484 | (Seatcover adjustable complete SB48 ST42,5) | 1 |
| 22 | 1584485 | (Seatcover adjustable complete SB36 ST45/+5) | 1 |
| 23 | 1584486 | (Seatcover adjustable complete SB38 ST45/+5) | 1 |
| 24 | 1584487 | (Seatcover adjustable complete SB40 ST45/+5) | 1 |
| 25 | 1584488 | (Seatcover adjustable complete SB42 ST45/+5) | 1 |
| 26 | 1584489 | (Seatcover adjustable complete SB44 ST45/+5) | 1 |
| 27 | 1584490 | (Seatcover adjustable complete SB46 ST45/+5) | 1 |
| 28 | 1584592 | (Seatcover adjustable complete SB48 ST45/+5) | 1 |
| 29 | 1584593 | (Seatcover adjustable complete SB36 ST47,5) | 1 |
| 30 | 1584594 | (Seatcover adjustable complete SB38 ST47,5) | 1 |
| 31 | 1584595 | (Seatcover adjustable complete SB40 ST47,5) | 1 |

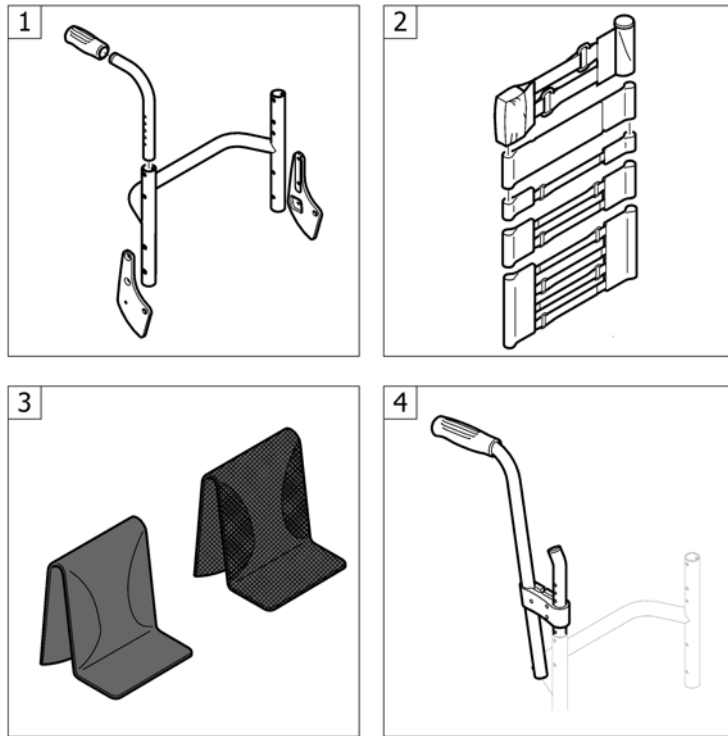
(Seatcover adjustable)

| | | | |
|----|---------|---|---|
| 32 | 1584672 | (Seatcover adjustable complete SB42 ST47,5) | 1 |
| 33 | 1584673 | (Seatcover adjustable complete SB44 ST47,5) | 1 |
| 34 | 1584674 | (Seatcover adjustable complete SB46 ST47,5) | 1 |
| 35 | 1584675 | (Seatcover adjustable complete SB48 ST47,5) | 1 |
| 36 | 1584676 | (Seat rail kit ST37,5, pair) | 1 |
| 37 | 1584677 | (Seat rail kit ST40, pair) | 1 |
| 38 | 1584748 | (Seat rail kit ST42,5, pair) | 1 |
| 39 | 1584749 | (Seat rail kit ST45, pair) | 1 |
| 40 | 1584750 | (Seat rail kit ST47,5, pair) | 1 |

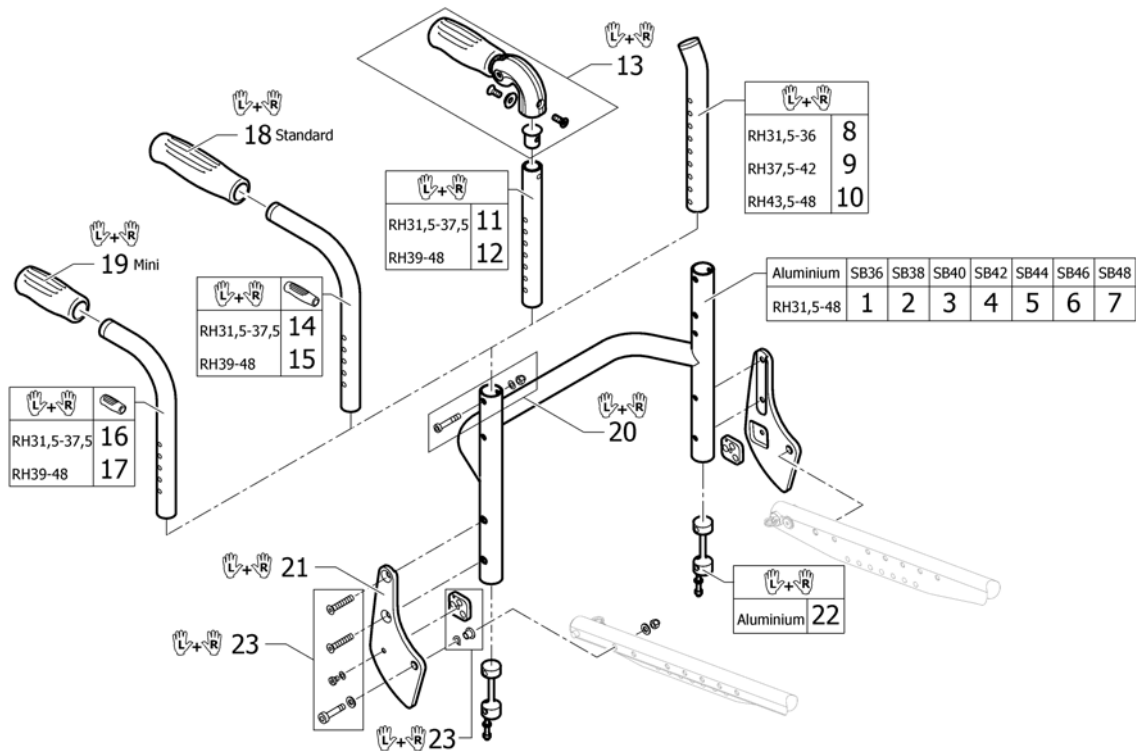


| | | | |
|----|---------|--|---|
| 1 | 1556336 | (Seat cushion 360mm x 380mm) | 1 |
| 2 | 1556344 | Kusch zitkussen 38x38 ps | 1 |
| 3 | 1556345 | (Seat cushion 380mm x 400mm) | 1 |
| 4 | 1556346 | (Seat cushion 380mm x 420mm) | 1 |
| 5 | 1556347 | (Seat cushion 380mm x 440mm) | 1 |
| 6 | 1556348 | Kusch zitkussen 38x46/ 46x38 zwart cpl | 1 |
| 7 | 1556349 | (Seat cushion 380mm x 480mm) | 1 |
| 8 | 1556337 | (Seat cushion 360mm x 400mm) | 1 |
| 9 | 1556352 | (Seat cushion 400mm x 400mm) | 1 |
| 10 | 1556353 | Kusch zitkussen 40x42/ 42x40 zwart cpl | 1 |
| 11 | 1556354 | (Seat cushion 400mm x 440mm) | 1 |
| 12 | 1556355 | Kusch zitkussen 46x40 | 1 |
| 13 | 1556356 | (Seat cushion 400mm x 480mm) | 1 |
| 14 | 1556339 | (Seat cushion 360mm x 440mm) | 1 |
| 15 | 1556360 | Kusch zitkussen 42x44/ 44x42 cpl ps | 1 |
| 16 | 1556365 | Kusch zitkussen 44x44 ps | 1 |
| 17 | 1556366 | (Seat cushion 440mm x 460mm) | 1 |
| 18 | 1556367 | (Seat cushion 440mm x 480mm) | 1 |
| 19 | 1556340 | (Seat cushion 360mm x 460mm) | 1 |
| 20 | 1556361 | (Seat cushion 420mm x 460mm) | 1 |
| 21 | 1556370 | Kusch zitkussen 46x46 ps | 1 |
| 22 | 1556371 | (Seat cushion 460mm x 480mm) | 1 |
| 23 | 1556341 | (Seat cushion 360mm x 480mm) | 1 |
| 24 | 1556362 | (Seat cushion 420mm x 480mm) | 1 |
| 25 | 1556374 | (Seat cushion 480mm x 480mm) | 1 |

(BACKREST)

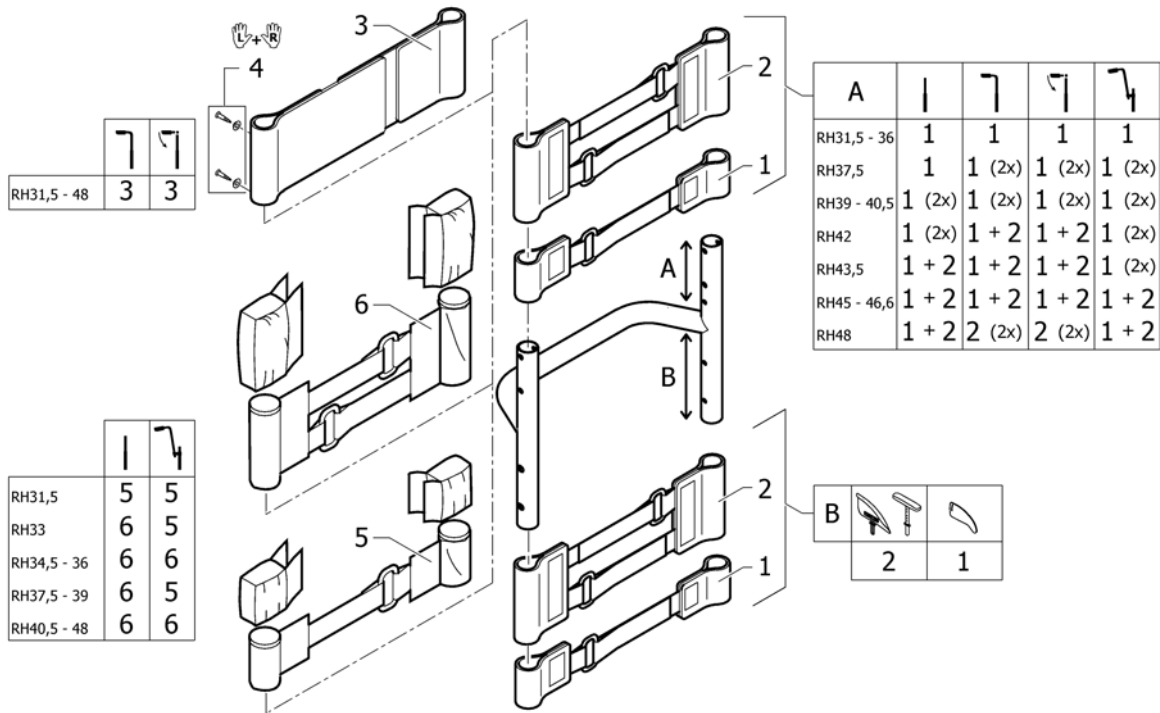


| | | | |
|---|---|---|---|
| 1 | - | (Straight bar backrest) | 1 |
| 2 | - | (Bands to adjustable backrest) | 1 |
| 3 | - | (Cover to adjustable backrest) | 1 |
| 4 | - | (Push handles, height adjustable, rear set) | 1 |

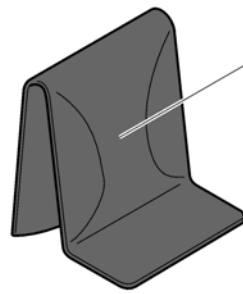


| | | | |
|----|--------------|---|---|
| 1 | 1582699 | (Straight bar backrest tube Alu SB36 Long) | 1 |
| 2 | 1582700 | (Straight bar backrest tube Alu SB38 Long) | 1 |
| 3 | 1582701 | (Straight bar backrest tube Alu SB40 Long) | 1 |
| 4 | 1582702 | (Straight bar backrest tube Alu SB42 Long) | 1 |
| 5 | 1582703 | (Straight bar backrest tube Alu SB44 Long) | 1 |
| 6 | 1582704 | (Straight bar backrest tube Alu SB46 Long) | 1 |
| 7 | 1582732 | (Straight bar backrest tube Alu SB48 Long) | 1 |
| 8 | 1546913 | K-Serie rugb.short pp rh28-36,5cm | 1 |
| 9 | 1546914 | K-Serie rugb.medium pp rh37,5-42cm K-Ser/Adv | 1 |
| 10 | 1546946 | K-Serie G3 rugb.telesc. lang rh43,5-48 pp | 1 |
| 11 | 1524956 | (Telescopic tube short for pushhandle foldable, pair) | 1 |
| 12 | 1525121 | Kusch rugfr.verlenger med.tbv duwh.inklapb.pp | 1 |
| 13 | 1507733 | Kusch.duwh.neerklapb. pp | 1 |
| 14 | 1525122 | Kusch duwh.tbv.rugframe kort pp ex.rubbers | 1 |
| 15 | 1525123 | (Backrest tube standard, long, pair) | 1 |
| 16 | 1525124 | (Backrest tube mini, short, pair) | 1 |
| 17 | 1525125 | (Backrest tube mini, long, pair) | 1 |
| 18 | 1507734 | Kusch duwh.rubber zwart ps | 1 |
| 19 | 1525126 | Kusch duw handvat rubber mini pp | 1 |
| 20 | 1546947 | (Screw kit for backrest tube) | 1 |
| 21 | 1583957-0004 | (Backrest joint plate, pair, black anodized) | 1 |
| 22 | 1546948 | K-Serie G3 rughoekverst. stiff pp | 1 |
| 23 | 1583958 | (Fixation kit to backrest joint) | 1 |

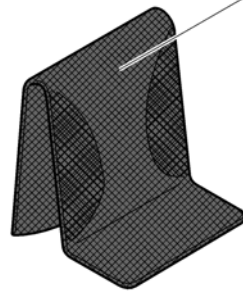
(Bands to adjustable backrest)



| | | | |
|---|---------|--|---|
| 1 | 1513167 | Kusch rugbekl.nasp.band 5cm hoog ps | 1 |
| 2 | 1513168 | Kusch rugbekl.nasp.deel 2 band | 1 |
| 3 | 1513171 | Kusch rug spanband 10cm 2-band ex.polsterdeel | 1 |
| 4 | 1432083 | Kusch set vijzen voor bev.nasp.band rug | 1 |
| 5 | 1513172 | Kusch rugbekl.nasp.band 5cm hoog ps Comp/K-Serie | 1 |
| 6 | 1513173 | Kusch rugbekl.nasp.band 10cm hoog Comp/K-Serie | 1 |

(Cover to adjustable backrest)

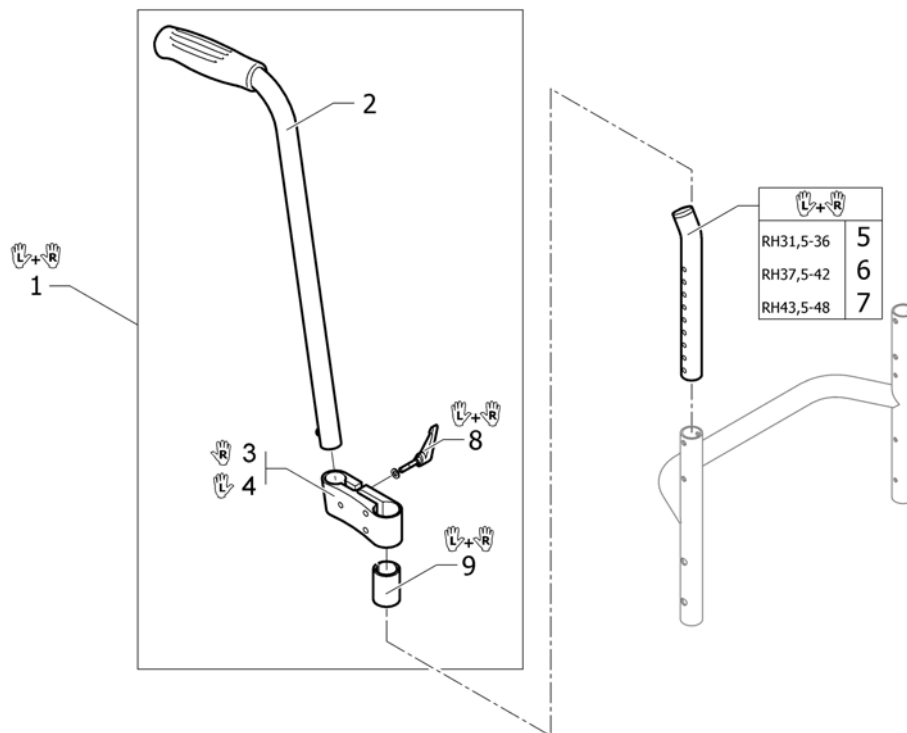
| Std. (black) | SB36-38 | SB40-42 | SB44-46 | SB48 |
|--------------|---------|---------|---------|------|
| RH31,5-36 | 1 | 2 | 3 | 4 |
| RH37,5-42 | 5 | 6 | 7 | 8 |
| RH43,5-48 | 9 | 10 | 11 | 12 |



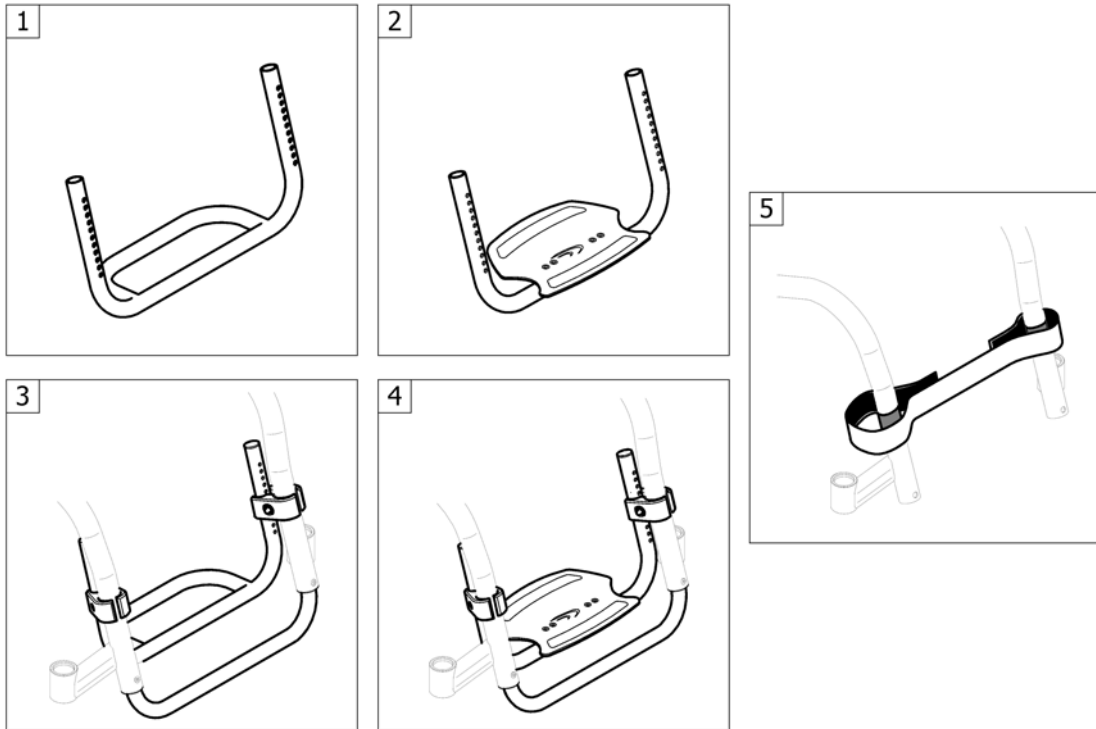
| AeroBack | SB36-38 | SB40-42 | SB44-46 | SB48 |
|-----------|---------|---------|---------|------|
| RH31,5-36 | 13 | 14 | 15 | 16 |
| RH37,5-42 | 17 | 18 | 19 | 20 |
| RH43,5-48 | 21 | 22 | 23 | 24 |

| | | | |
|----|---------|--|---|
| 1 | 1583109 | (Cover black to adjustable backrest, SB36-38, short) | 1 |
| 2 | 1583110 | (Cover black to adjustable backrest, SB40-42, short) | 1 |
| 3 | 1583111 | (Cover black to adjustable backrest, SB44-46, short) | 1 |
| 4 | 1583112 | (Cover black to adjustable backrest, SB48-50, short) | 1 |
| 5 | 1583113 | (Cover black to adjustable backrest, SB36-38, medium) | 1 |
| 6 | 1583114 | (Cover black to adjustable backrest, SB40-42, medium) | 1 |
| 7 | 1583115 | (Cover black to adjustable backrest, SB44-46, medium) | 1 |
| 8 | 1583116 | (Cover black to adjustable backrest, SB48-50, medium) | 1 |
| 9 | 1583117 | (Cover black to adjustable backrest, SB36-38, long) | 1 |
| 10 | 1583118 | (Cover black to adjustable backrest, SB40-42, long) | 1 |
| 11 | 1583119 | (Cover black to adjustable backrest, SB44-46, long) | 1 |
| 12 | 1583120 | (Cover black to adjustable backrest, SB48-50, long) | 1 |
| 13 | 1512157 | Kusch rughoes aero zb36- 38 kort Cha/K-serie/R33 | 1 |
| 14 | 1512158 | Kusch rughoes aero zb40- 42 kort ps | 1 |
| 15 | 1512159 | (Cover 'Aero' to adjustable backrest, SB44-46, short) | 1 |
| 16 | 1512160 | (Cover 'Aero' to adjustable backrest, SB48-50, short) | 1 |
| 17 | 1512162 | (Cover 'Aero' to adjustable backrest, SB36-38, medium) | 1 |
| 18 | 1512163 | Kusch rughoes aero zb40- 42 med.ps | 1 |
| 19 | 1512164 | Kusch rughoes aero zb44- 46 med.ps | 1 |
| 20 | 1512165 | (Cover 'Aero' to adjustable backrest, SB48-50, medium) | 1 |
| 21 | 1512167 | (Cover 'Aero' to adjustable backrest, SB36-38, long) | 1 |
| 22 | 1512168 | Kusch rughoes aero zb40- 42 rh42-48 ps | 1 |
| 23 | 1512169 | Kusch rughoes aero zb44- 46 rh42-48 ps | 1 |
| 24 | 1512170 | (Cover 'Aero' to adjustable backrest, SB48-50, long) | 1 |

(Push handles, height adjustable, rear set)

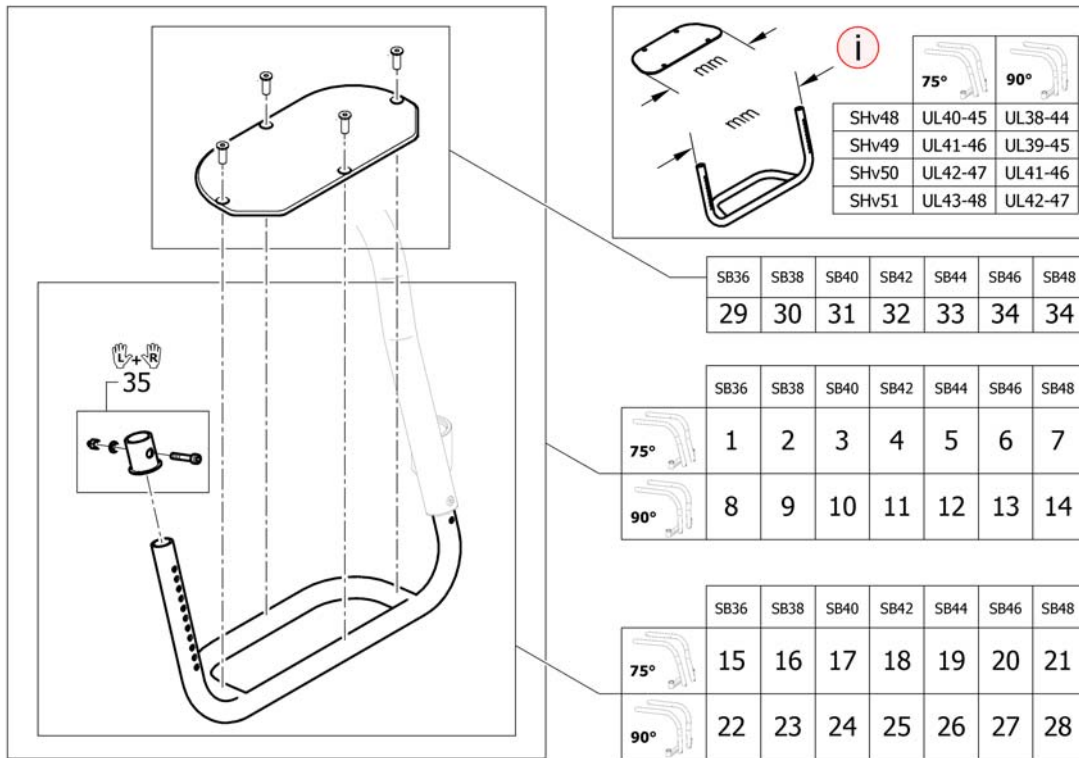


| | | | |
|---|---------|---|---|
| 1 | 1517876 | Kusch duwh.opb.pp nw. | 1 |
| 2 | 1438938 | Kusch duwh.opb.ex.bev.ps | 2 |
| 3 | 1438939 | Kusch duwh.opb.nw.bev. klem re ps | 1 |
| 4 | 1438940 | kusch duwh.opb.nw.bev. klem li ps | 1 |
| 5 | 1546913 | K-Serie rugb.short pp rh28-36,5cm | 1 |
| 6 | 1546914 | K-Serie rugb.medium pp rh37,5-42cm K-Ser/Adv | 1 |
| 7 | 1546946 | K-Serie G3 rugb.telesc. lang rh43,5-48 pp | 1 |
| 8 | 1529799 | Kusch duwh.opb.wartel pp | 1 |
| 9 | 1581293 | (Sleeves for mounting fixture, for rearsset push handles, pair) | 1 |



| | | | |
|---|---|--|---|
| 1 | - | (Footrest standard for adducted frame) | 1 |
| 2 | - | (Footrest angle adjustable for adducted frame) | 1 |
| 3 | - | (Footrest standard highmounted for adducted frame) | 1 |
| 4 | - | (Footrest angle adjustable highmounted for adducted frame) | 1 |
| 5 | - | (Calf strap) | 1 |

(Footrest standard for adducted frame)

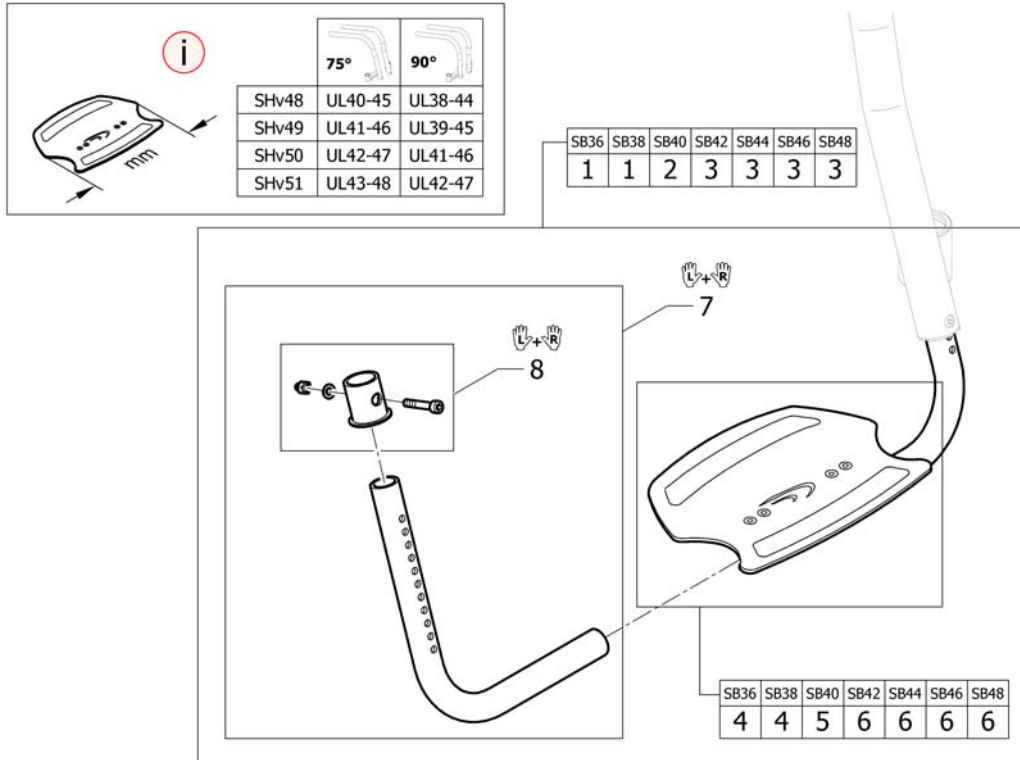


| | | | |
|----|---------|---|---|
| 1 | 1583520 | (Footrest Aluminium 310mm with plate for frame 75°) | 1 |
| 2 | 1583521 | (Footrest Aluminium 330mm with plate for frame 75°) | 1 |
| 3 | 1583522 | (Footrest Aluminium 350mm with plate for frame 75°) | 1 |
| 4 | 1583523 | (Footrest Aluminium 370mm with plate for frame 75°) | 1 |
| 5 | 1583524 | (Footrest Aluminium 390mm with plate for frame 75°) | 1 |
| 6 | 1583525 | (Footrest Aluminium 410mm with plate for frame 75°) | 1 |
| 7 | 1583526 | (Footrest Aluminium 430mm with plate for frame 75°) | 1 |
| 8 | 1583527 | (Footrest Aluminium 310mm with plate for frame 90°) | 1 |
| 9 | 1583528 | (Footrest Aluminium 330mm with plate for frame 90°) | 1 |
| 10 | 1583529 | (Footrest Aluminium 350mm with plate for frame 90°) | 1 |
| 11 | 1583530 | (Footrest Aluminium 370mm with plate for frame 90°) | 1 |
| 12 | 1583531 | (Footrest Aluminium 390mm with plate for frame 90°) | 1 |
| 13 | 1583532 | (Footrest Aluminium 410mm with plate for frame 90°) | 1 |
| 14 | 1583533 | (Footrest Aluminium 430mm with plate for frame 90°) | 1 |
| 15 | 1583506 | (Footrest Aluminium 310mm for frame 75°) | 1 |
| 16 | 1583507 | (Footrest Aluminium 330mm for frame 75°) | 1 |
| 17 | 1583508 | (Footrest Aluminium 350mm for frame 75°) | 1 |
| 18 | 1583509 | (Footrest Aluminium 370mm for frame 75°) | 1 |
| 19 | 1583510 | (Footrest Aluminium 390mm for frame 75°) | 1 |
| 20 | 1583511 | (Footrest Aluminium 410mm for frame 75°) | 1 |
| 21 | 1583512 | (Footrest Aluminium 430mm for frame 75°) | 1 |
| 22 | 1583513 | (Footrest Aluminium 310mm for frame 90°) | 1 |
| 23 | 1583514 | (Footrest Aluminium 330mm for frame 90°) | 1 |
| 24 | 1583515 | (Footrest Aluminium 350mm for frame 90°) | 1 |
| 25 | 1583516 | (Footrest Aluminium 370mm for frame 90°) | 1 |
| 26 | 1583517 | (Footrest Aluminium 390mm for frame 90°) | 1 |
| 27 | 1583518 | (Footrest Aluminium 410mm for frame 90°) | 1 |
| 28 | 1583519 | (Footrest Aluminium 430mm for frame 90°) | 1 |
| 29 | 1583596 | (Footplate 194mm) | 1 |
| 30 | 1583597 | (Footplate 214mm) | 1 |
| 31 | 1583598 | (Footplate 234mm) | 1 |

(Footrest standard for adducted frame)

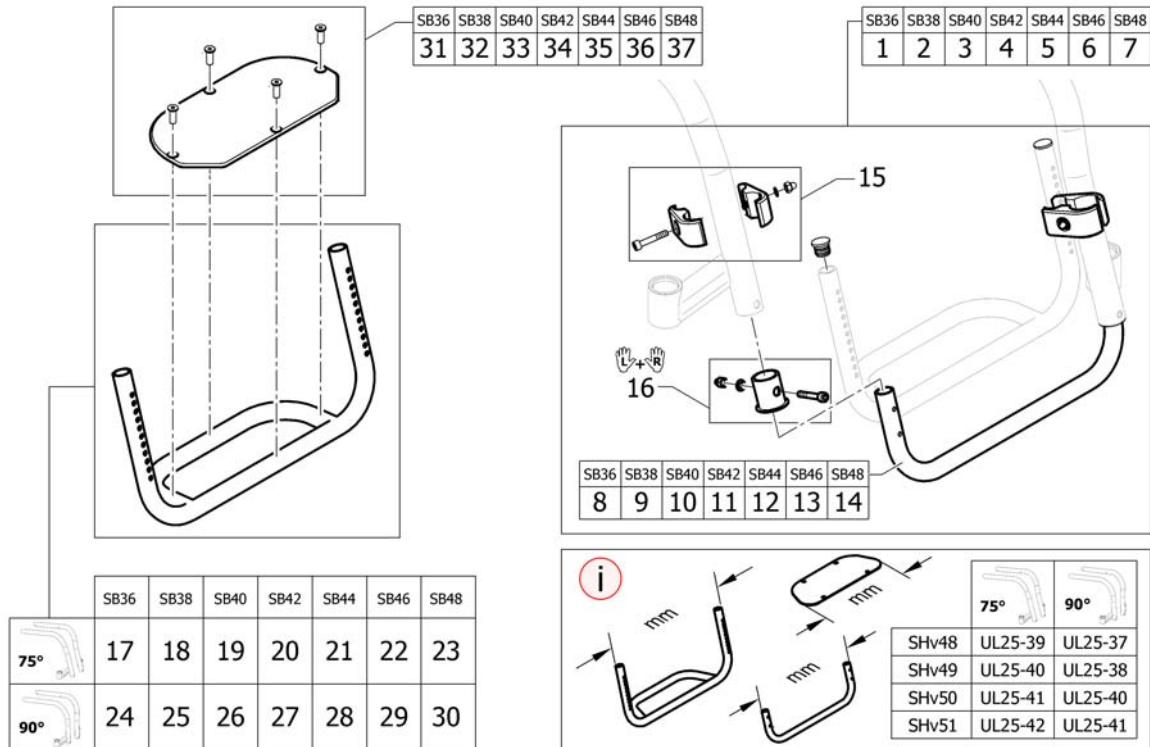
| | | | |
|----|---------|-----------------------|---|
| 32 | 1583599 | (Footplate 254mm) | 1 |
| 33 | 1583600 | (Footplate 274mm) | 1 |
| 34 | 1583601 | (Footplate 294mm) | 1 |
| 35 | 1583602 | (Footrest sleeve Alu) | 1 |

(Footrest angle adjustable for adducted frame)



| | | | |
|---|---------|--|---|
| 1 | 1583608 | (Footrest angle adjustable 250mm, complete) | 1 |
| 2 | 1583609 | (Footrest angle adjustable 280mm, complete) | 1 |
| 3 | 1583610 | (Footrest angle adjustable 308mm, complete) | 1 |
| 4 | 1583613 | (Footplate 250mm with clamping part) | 1 |
| 5 | 1583614 | (Footplate 280mm with clamping part) | 1 |
| 6 | 1583615 | (Footplate 308mm with clamping part) | 1 |
| 7 | 1583616 | (Telescopic kit for footrest angle adjustable, pair) | 1 |
| 8 | 1583602 | (Footrest sleeve Alu) | 1 |

(Footrest standard highmounted for adducted frame)

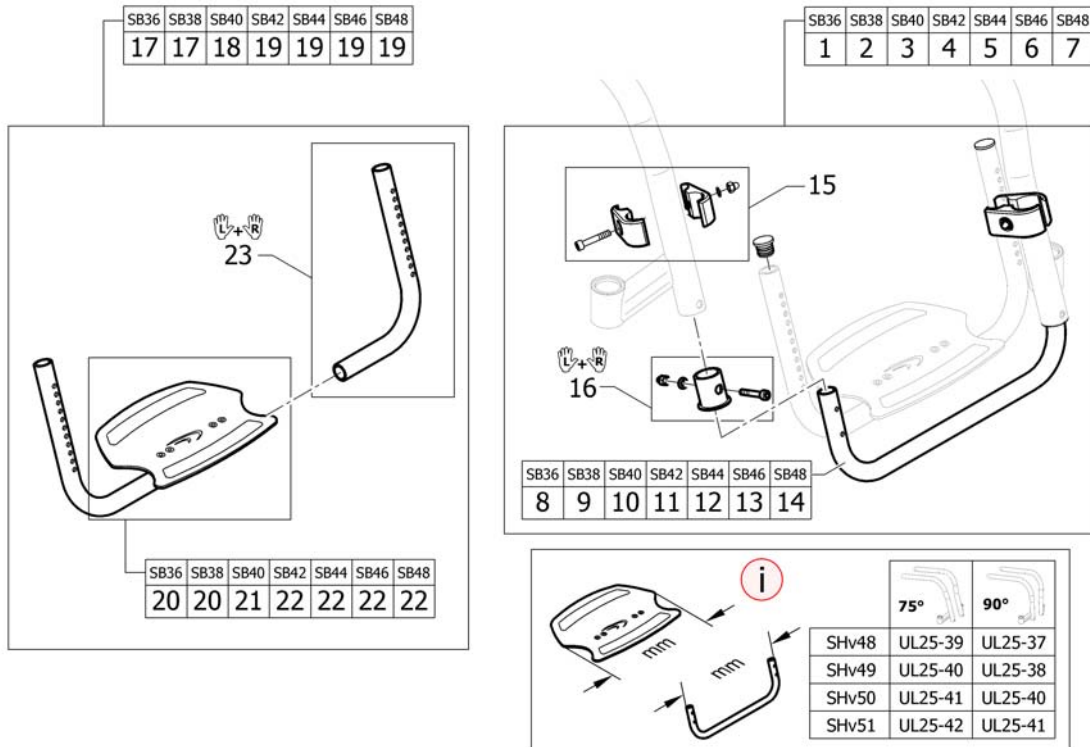


| | | | |
|----|---------|--|---|
| 1 | 1583641 | (Tube set for footrest, mounted in high position, 310mm for adducted frame) | 1 |
| 2 | 1583642 | (Tube set for footrest, mounted in high position, 330mm for adducted frame) | 1 |
| 3 | 1583643 | (Tube set for footrest, mounted in high position, 350mm for adducted frame) | 1 |
| 4 | 1583644 | (Tube set for footrest, mounted in high position, 370mm for adducted frame) | 1 |
| 5 | 1583646 | (Tube set for footrest, mounted in high position, 390mm for adducted frame) | 1 |
| 6 | 1583647 | (Tube set for footrest, mounted in high position, 410mm for adducted frame) | 1 |
| 7 | 1583648 | (Tube set for footrest, mounted in high position, 430mm for adducted frame) | 1 |
| 8 | 1583650 | (Tube for footrest, mounted in high position, 310mm for adducted frame) | 1 |
| 9 | 1583651 | (Tube for footrest, mounted in high position, 330mm for adducted frame) | 1 |
| 10 | 1583652 | (Tube for footrest, mounted in high position, 350mm for adducted frame) | 1 |
| 11 | 1583653 | (Tube for footrest, mounted in high position, 370mm for adducted frame) | 1 |
| 12 | 1583654 | (Tube for footrest, mounted in high position, 390mm for adducted frame) | 1 |
| 13 | 1583655 | (Tube for footrest, mounted in high position, 410mm for adducted frame) | 1 |
| 14 | 1583656 | (Tube for footrest, mounted in high position, 430mm for adducted frame) | 1 |
| 15 | 1495577 | (Kit clamping pieces, footrest mounted in high position) | 2 |
| 16 | 1583602 | (Footrest sleeve Alu) | 1 |
| 17 | 1583657 | (Footrest Aluminium 290mm for frame 75° for footrest mounted in high position) | 1 |
| 18 | 1583658 | (Footrest Aluminium 310mm for frame 75° for footrest mounted in high position) | 1 |
| 19 | 1583659 | (Footrest Aluminium 330mm for frame 75° for footrest mounted in high position) | 1 |
| 20 | 1583660 | (Footrest Aluminium 350mm for frame 75° for footrest mounted in high position) | 1 |
| 21 | 1583661 | (Footrest Aluminium 370mm for frame 75° for footrest mounted in high position) | 1 |

(Footrest standard highmounted for adducted frame)

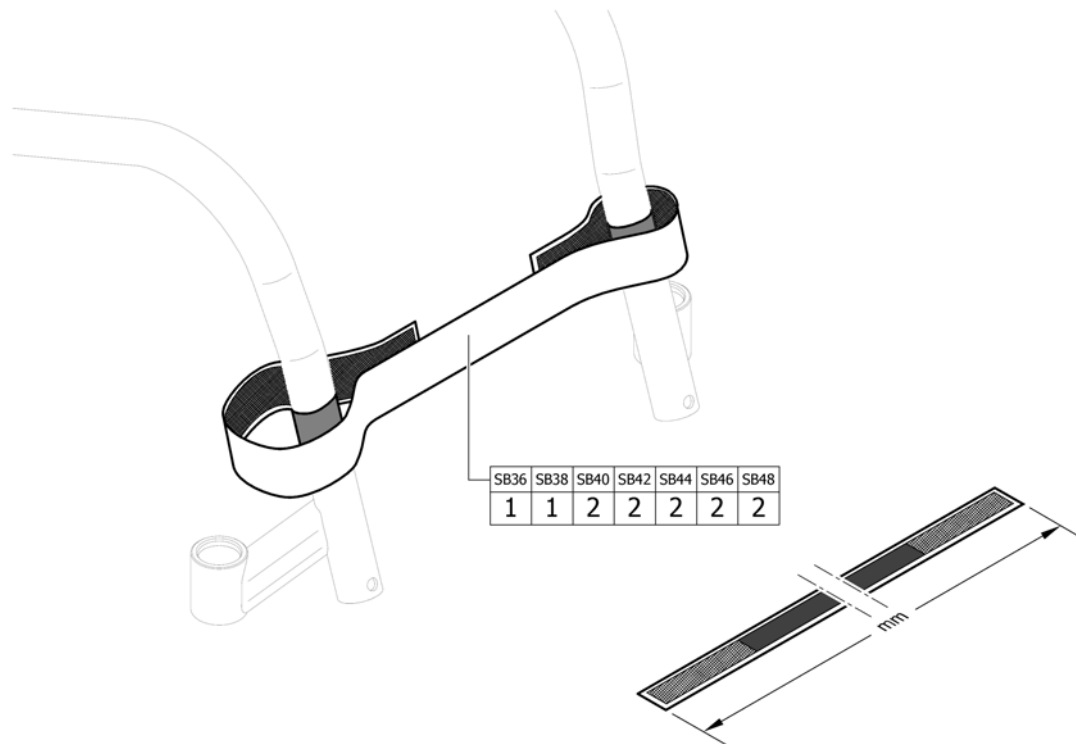
| | | | |
|----|---------|--|---|
| 22 | 1583701 | (Footrest Aluminium 390mm for frame 75° for footrest mounted in high position) | 1 |
| 23 | 1583702 | (Footrest Aluminium 410mm for frame 75° for footrest mounted in high position) | 1 |
| 24 | 1583703 | (Footrest Aluminium 290mm for frame 90° for footrest mounted in high position) | 1 |
| 25 | 1583750 | (Footrest Aluminium 310mm for frame 90° for footrest mounted in high position) | 1 |
| 26 | 1583942 | (Footrest Aluminium 330mm for frame 90° for footrest mounted in high position) | 1 |
| 27 | 1583943 | (Footrest Aluminium 350mm for frame 90° for footrest mounted in high position) | 1 |
| 28 | 1583944 | (Footrest Aluminium 370mm for frame 90° for footrest mounted in high position) | 1 |
| 29 | 1583945 | (Footrest Aluminium 390mm for frame 90° for footrest mounted in high position) | 1 |
| 30 | 1583946 | (Footrest Aluminium 410mm for frame 90° for footrest mounted in high position) | 1 |
| 31 | 1583595 | (Footplate 174mm) | 1 |
| 32 | 1583596 | (Footplate 194mm) | 1 |
| 33 | 1583597 | (Footplate 214mm) | 1 |
| 34 | 1583598 | (Footplate 234mm) | 1 |
| 35 | 1583599 | (Footplate 254mm) | 1 |
| 36 | 1583600 | (Footplate 274mm) | 1 |
| 37 | 1583601 | (Footplate 294mm) | 1 |

(Footrest angle adjustable highmounted for adducted frame)

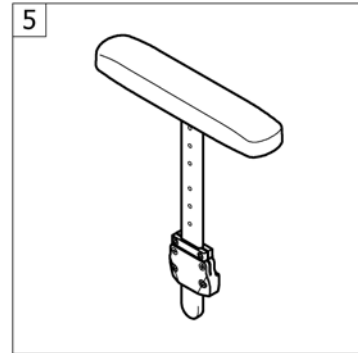
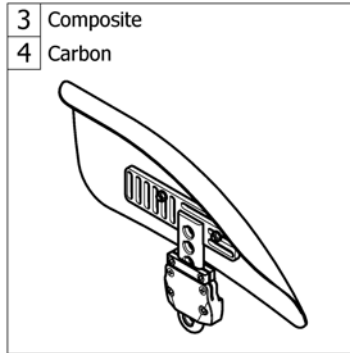
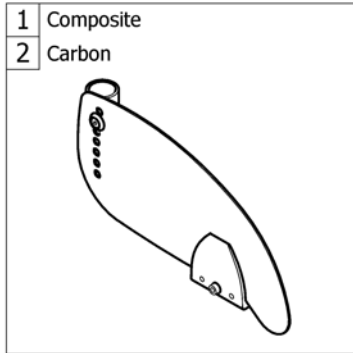


| | | | |
|----|---------|---|---|
| 1 | 1583641 | (Tube set for footrest, mounted in high position, 310mm for adducted frame) | 1 |
| 2 | 1583642 | (Tube set for footrest, mounted in high position, 330mm for adducted frame) | 1 |
| 3 | 1583643 | (Tube set for footrest, mounted in high position, 350mm for adducted frame) | 1 |
| 4 | 1583644 | (Tube set for footrest, mounted in high position, 370mm for adducted frame) | 1 |
| 5 | 1583646 | (Tube set for footrest, mounted in high position, 390mm for adducted frame) | 1 |
| 6 | 1583647 | (Tube set for footrest, mounted in high position, 410mm for adducted frame) | 1 |
| 7 | 1583648 | (Tube set for footrest, mounted in high position, 430mm for adducted frame) | 1 |
| 8 | 1583650 | (Tube for footrest, mounted in high position, 310mm for adducted frame) | 1 |
| 9 | 1583651 | (Tube for footrest, mounted in high position, 330mm for adducted frame) | 1 |
| 10 | 1583652 | (Tube for footrest, mounted in high position, 350mm for adducted frame) | 1 |
| 11 | 1583653 | (Tube for footrest, mounted in high position, 370mm for adducted frame) | 1 |
| 12 | 1583654 | (Tube for footrest, mounted in high position, 390mm for adducted frame) | 1 |
| 13 | 1583655 | (Tube for footrest, mounted in high position, 410mm for adducted frame) | 1 |
| 14 | 1583656 | (Tube for footrest, mounted in high position, 430mm for adducted frame) | 1 |
| 15 | 1495577 | (Kit clamping pieces, footrest mounted in high position) | 2 |
| 16 | 1583602 | (Footrest sleeve Alu) | 1 |
| 17 | 1583950 | (Footrest angle adjustable 250mm for mounted in high position, complete) | 1 |
| 18 | 1583951 | (Footrest angle adjustable 280mm for mounted in high position, complete) | 1 |
| 19 | 1583952 | (Footrest angle adjustable 308mm for mounted in high position, complete) | 1 |
| 20 | 1583613 | (Footplate 250mm with clamping part) | 1 |
| 21 | 1583614 | (Footplate 280mm with clamping part) | 1 |
| 22 | 1583615 | (Footplate 308mm with clamping part) | 1 |
| 23 | 1583947 | (Telescop for footrest angle adjustable mounted in high position, pair) | 1 |

(Calf strap)

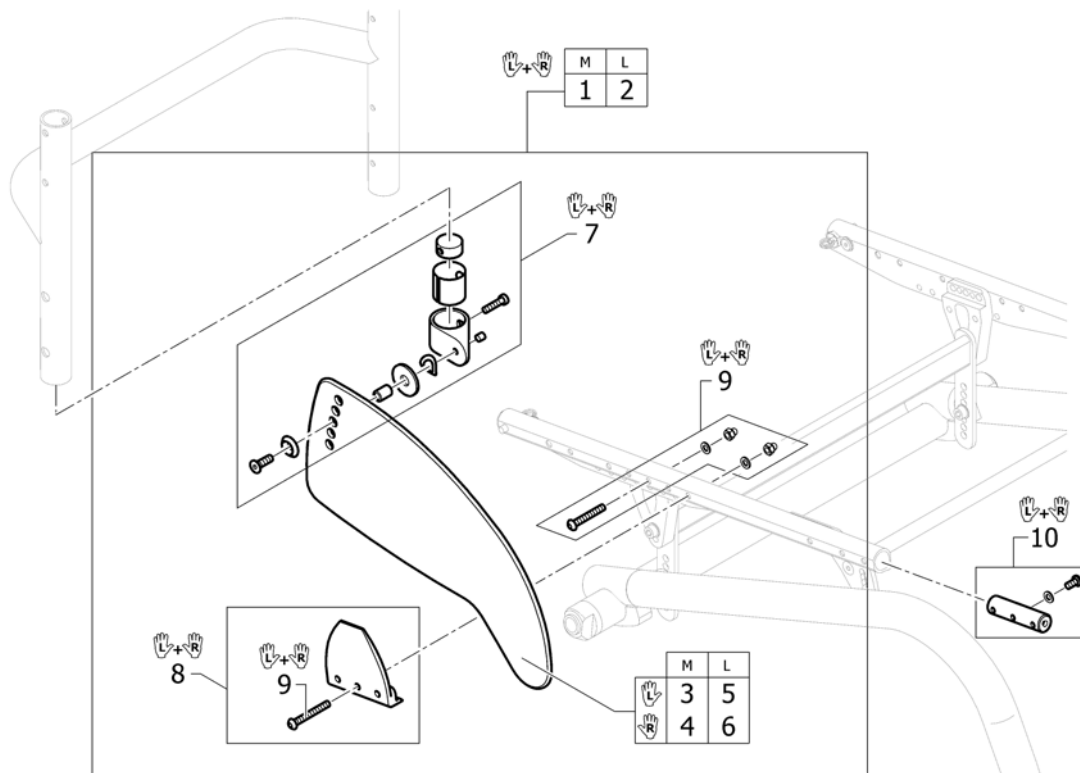


| | | | |
|---|---------|------------------------------|---|
| 1 | 1561528 | (Calf strap complete, 780mm) | 1 |
| 2 | 1561529 | (Calf strap complete, 940mm) | 1 |

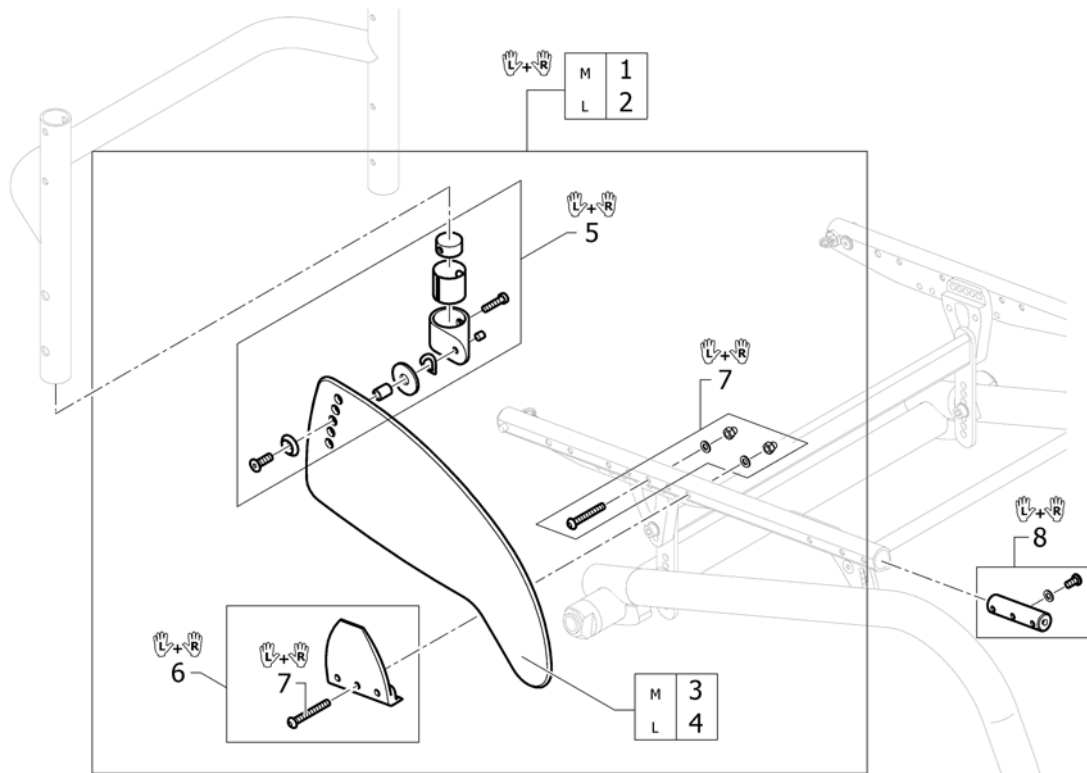


| | | | |
|---|---|------------------------------|---|
| 1 | - | (Clothes-guards composite) | 1 |
| 2 | - | (Clothes-guards carbon) | 1 |
| 3 | - | (Mudguards composite) | 1 |
| 4 | - | (Mudguards carbon) | 1 |
| 5 | - | (Siderest height adjustable) | 1 |

(Clothes-guards composite)

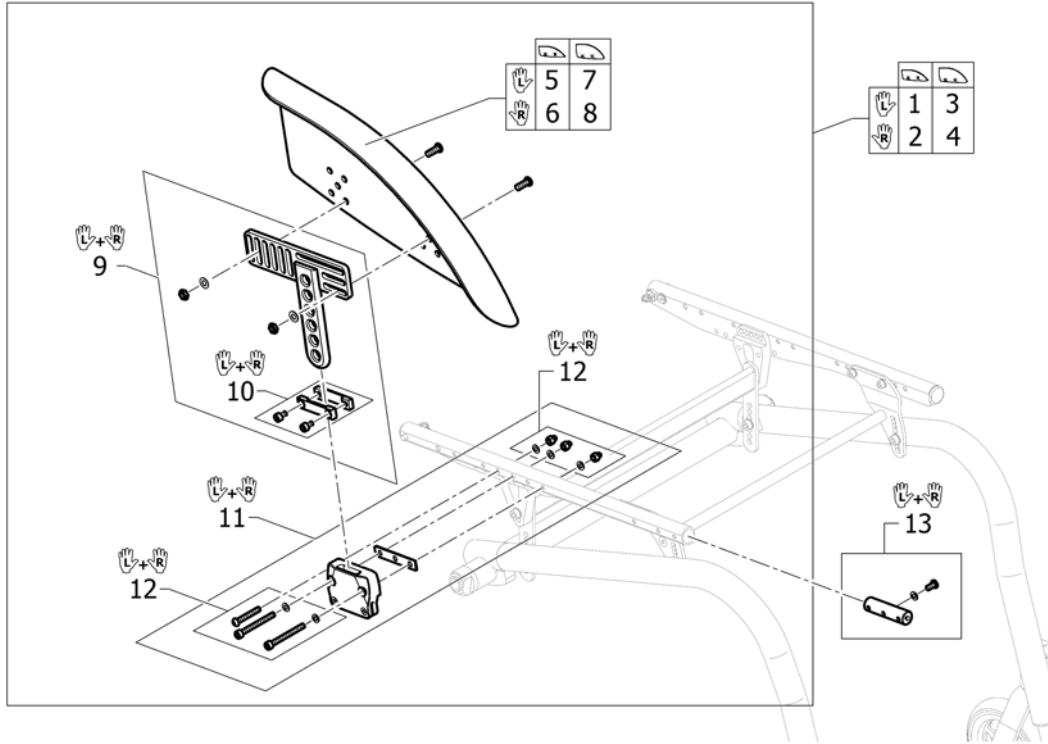


| | | | |
|----|---------|--|---|
| 1 | 1584839 | (Clothes-guards economy M with fixation kit, pair) | 1 |
| 2 | 1584841 | (Clothes-guards economy L with fixation kit, pair) | 1 |
| 3 | 1547467 | K-Serie G3 kled.besch. econ.maat m links ps | 1 |
| 4 | 1547469 | K-Serie G3 kled.besch. econ.maat m rechts ps | 1 |
| 5 | 1547468 | K-Serie G3 kled.besch. econ.maat l links ps | 1 |
| 6 | 1547470 | K-Serie G3 kled.besch. econ.maat l rechts ps | 1 |
| 7 | 1584842 | (Fixation kit clothes-guard economy to backrest) | 1 |
| 8 | 1584837 | (Fixation clothes-guard to frame, pair) | 1 |
| 9 | 1584838 | (Screws kit for fixation clothe-guards to frame) | 1 |
| 10 | 1584863 | (Thread insert for side guards, pair) | 1 |

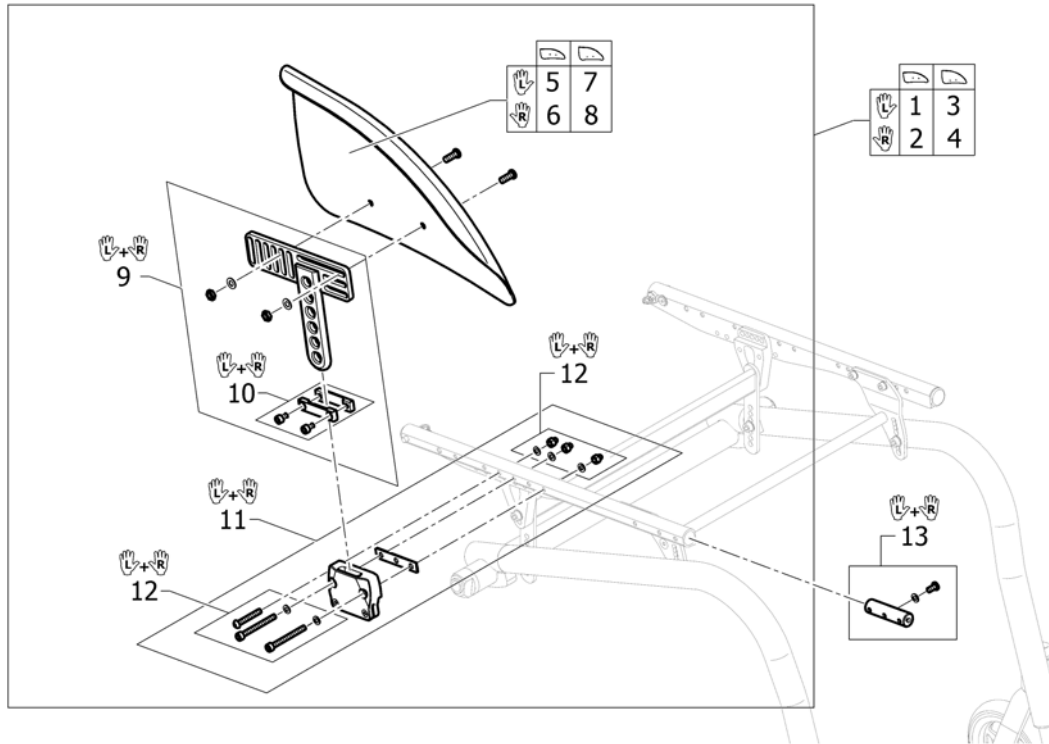


| | | | |
|---|---------|---|---|
| 1 | 1584833 | (Clothes-guards carbon M with fixation kit, pair) | 1 |
| 2 | 1584834 | (Clothes-guards carbon L with fixation kit, pair) | 1 |
| 3 | 1547461 | K-Serie G3 kled.besch. carbon maat m ps | 2 |
| 4 | 1547462 | K-Serie G3 kled.besch. carbon maat l ps | 2 |
| 5 | 1584836 | (Fixation kit clothes-guard carbon to backrest) | 1 |
| 6 | 1584837 | (Fixation clothes-guard to frame, pair) | 1 |
| 7 | 1584838 | (Screws kit for fixation clothe-guards to frame) | 1 |
| 8 | 1584863 | (Thread insert for side guards, pair) | 1 |

(Mudguards composite)

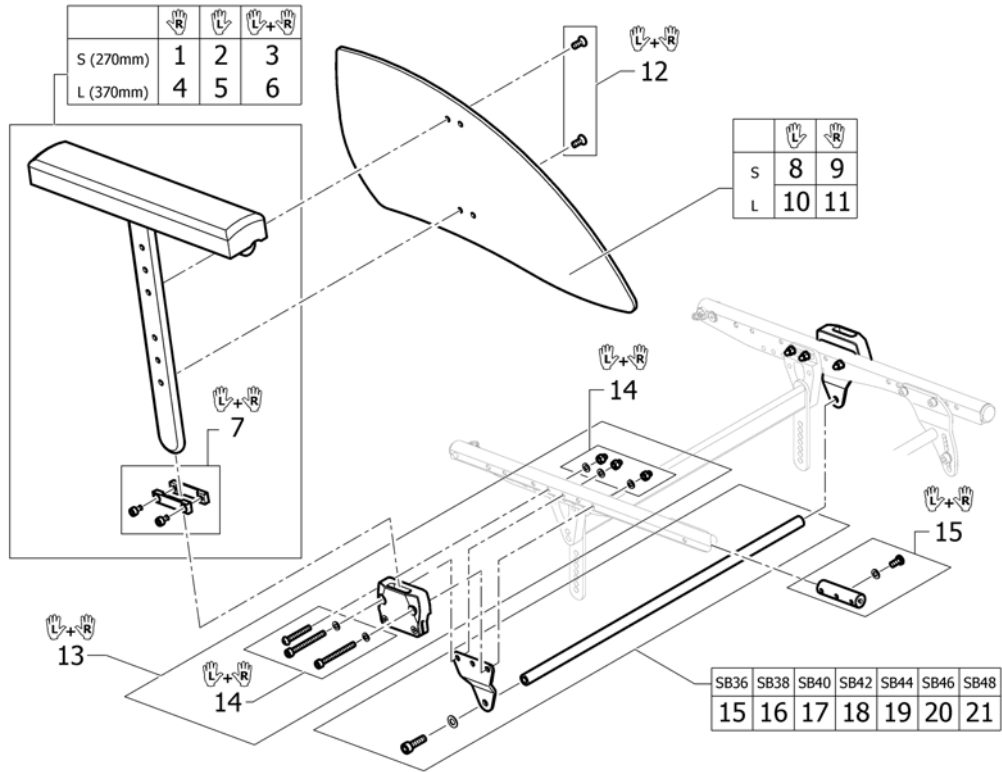


| | | | |
|----|---------|---|---|
| 1 | 1584850 | (Mudguard Economy left M short complete) | 1 |
| 2 | 1584852 | (Mudguard Economy right M short complete) | 1 |
| 3 | 1584851 | (Mudguard Economy left L short complete) | 1 |
| 4 | 1584853 | (Mudguard Economy right L short complete) | 1 |
| 5 | 1547556 | Kusch spatbord economy medium links | 1 |
| 6 | 1547579 | Kusch spatbord economy medium rechts | 1 |
| 7 | 1547578 | Kusch spatbord economy large links | 1 |
| 8 | 1547580 | Kusch spatbord economy large rechts | 1 |
| 9 | 1547554 | (Mudguard Economy holder short, pair) | 1 |
| 10 | 1547537 | Kusch spatbord bev.set tbv.T-stuk pp | 1 |
| 11 | 1584843 | (Kit holder mudguard to seat module, pair) | 1 |
| 12 | 1584844 | (Fixation kit for holder mudguard to seat module, pair) | 1 |
| 13 | 1584863 | (Thread insert for side guards, pair) | 1 |



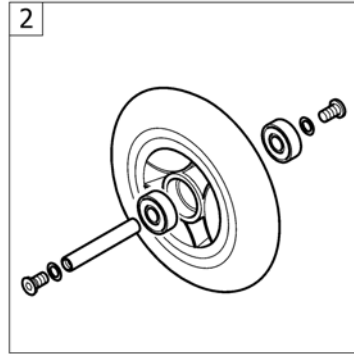
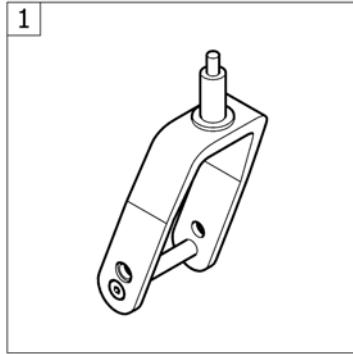
| | | | |
|----|---------|---|---|
| 1 | 1584846 | (Mudguard carbon left M short complete) | 1 |
| 2 | 1584848 | (Mudguard carbon right M short complete) | 1 |
| 3 | 1584847 | (Mudguard carbon left L short complete) | 1 |
| 4 | 1584849 | (Mudguard carbon right L short complete) | 1 |
| 5 | 1547533 | (Mudguard carbon left M) | 1 |
| 6 | 1547535 | (Mudguard carbon right M) | 1 |
| 7 | 1547534 | Kusch spatbord carbon li | 1 |
| 8 | 1547536 | Kusch spatbord carbon re | 1 |
| 9 | 1547488 | Kusch spatb.carbon bev. plaat pp ex.spatb.G3/Adv | 1 |
| 10 | 1547537 | Kusch spatbord bev.set tbv.T-stuk pp | 1 |
| 11 | 1584843 | (Kit holder mudguard to seat module, pair) | 1 |
| 12 | 1584844 | (Fixation kit for holder mudguard to seat module, pair) | 1 |
| 13 | 1584863 | (Thread insert for side guards, pair) | 1 |

(Siderest height adjustable)



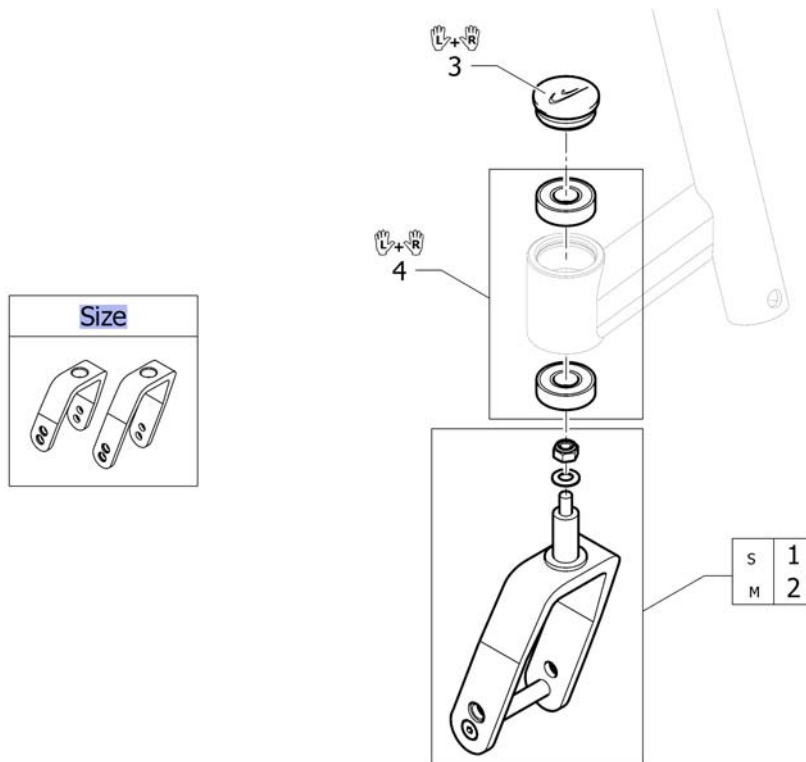
| | | | |
|----|---------|---|---|
| 1 | 1517677 | Kusch armst.i.h.v.kort re >04-08 K-Serie 05 | 1 |
| 2 | 1517678 | Kusch armst.i.h.v.kort li >04-08 K-Serie 05 | 1 |
| 3 | 1517682 | Kusch armst.h.i.kort pp | 1 |
| 4 | 1517679 | Kusch armst.i.h.v.lang re >04-08 ex.bev.ps | 1 |
| 5 | 1517680 | Kusch armst.i.h.v.lang li >04-08 ex.bev.ps | 1 |
| 6 | 1517683 | Kusch armst.h.i.lang pp Fus/R33/K-Jr/K-Serie | 1 |
| 7 | 1547537 | Kusch spatbord bev.set tbv.T-stuk pp | 1 |
| 8 | 1517689 | Kusch kled.besch.smal li tbv.armst.ihv ps | 1 |
| 9 | 1517690 | Kusch kled.besch.smal re tbv.armst.ihv ps | 1 |
| 10 | 1517691 | Kusch kled.besch.lang li | 1 |
| 11 | 1517692 | Kusch kled.besch.lang re | 1 |
| 12 | 1517693 | (Clothes-guard fixation kit) | 1 |
| 13 | 1584871 | (Kit holder siderest height adjustable to seat module, pair) | 1 |
| 14 | 1584872 | (Fixation kit for holder siderest height adjustable to seat module, pair) | 1 |
| 15 | 1584864 | (Bracket kit for siderest, 336,5mm) | 1 |
| 16 | 1584865 | (Bracket kit for siderest, 356,5mm) | 1 |
| 17 | 1584866 | (Bracket kit for siderest, 376,5mm) | 1 |
| 18 | 1584867 | (Bracket kit for siderest, 396,5mm) | 1 |
| 19 | 1584868 | (Bracket kit for siderest, 416,5mm) | 1 |
| 20 | 1584869 | (Bracket kit for siderest, 436,5mm) | 1 |
| 21 | 1584870 | (Bracket kit for siderest, 456,5mm) | 1 |
| 22 | 1584863 | (Thread insert for side guards, pair) | 1 |

(FRONT WHEELS)



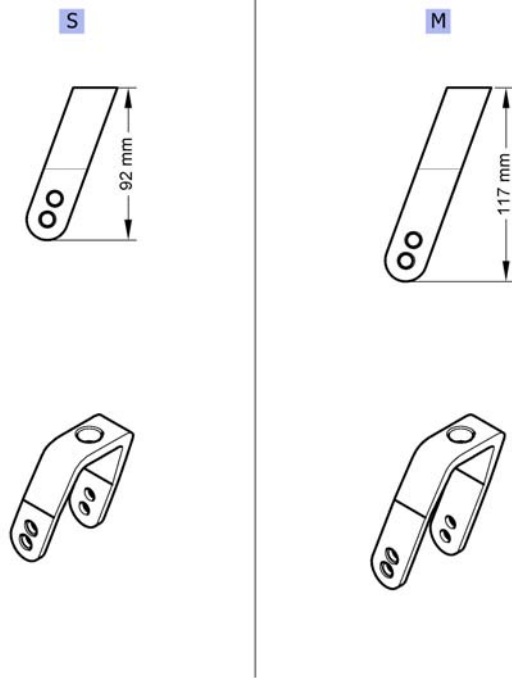
| | | | |
|---|---|------------------------|---|
| 1 | - | (Front forks standard) | 1 |
| 2 | - | (Front wheels) | 1 |

(Front forks standard)



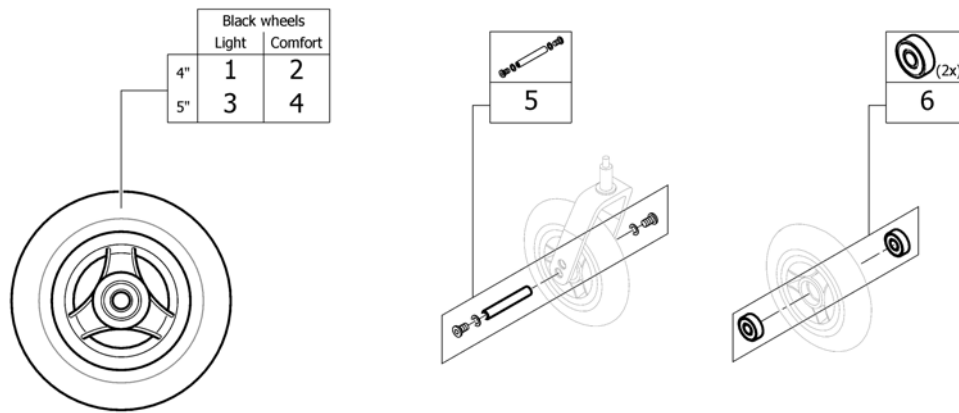
| | | | |
|------|--------------|---|---|
| Size | - | (Configuration table for front fork size) | 0 |
| 1 | 1584876-0004 | (Front fork S with bolt, black anodized) | 2 |
| 2 | 1584877-0004 | (Front fork M with bolt, black anodized) | 2 |
| 3 | 1487961-0004 | Kusch balhoofd afdekdop zwart pp | 1 |
| 4 | 1451718 | K-Serie 2005 voorw.vork lager set (set = 4 stuks) | 1 |

(Configuration table for front fork size)

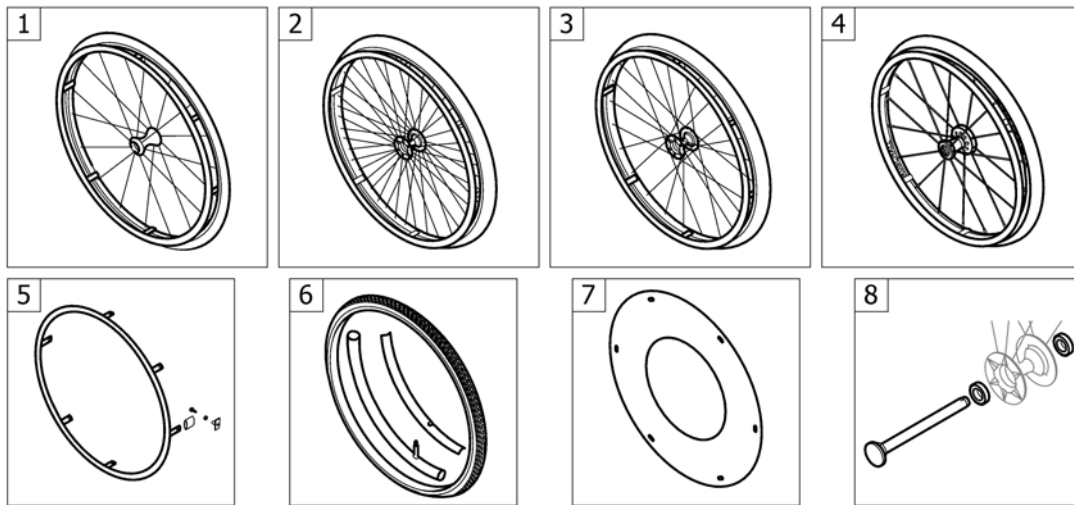


| | | | |
|---|---|----------------------|---|
| S | - | (Front fork, Size S) | 0 |
| M | - | (Front fork, Size M) | 0 |

(Front wheels)

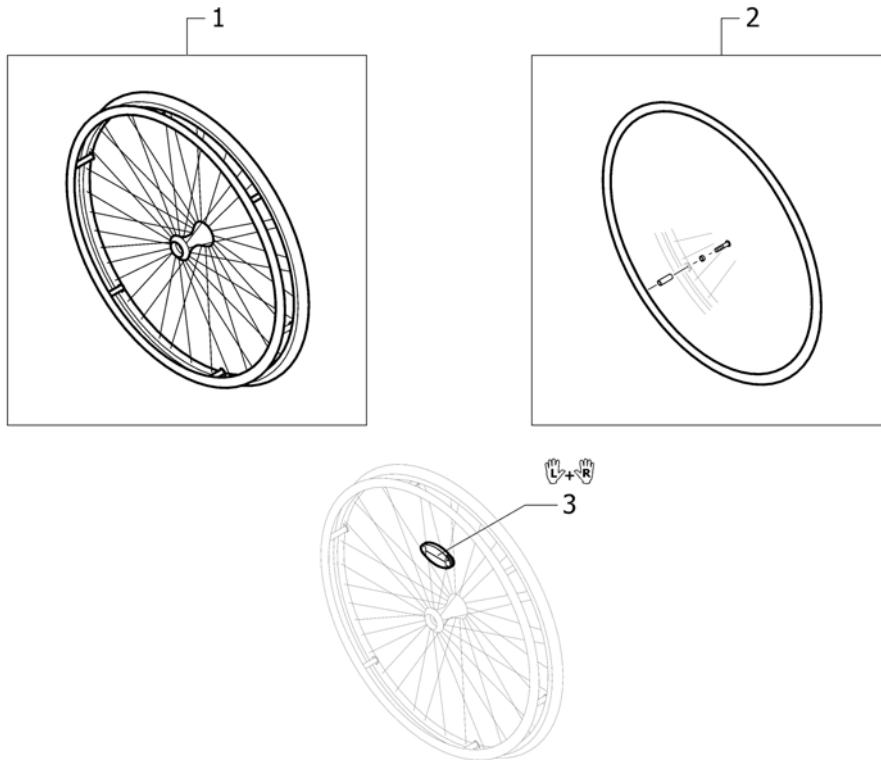


| | | | |
|---|---------|--|---|
| 1 | 1562626 | Wiel 4'lichtlopend ps Kusch (Everyday) | 2 |
| 2 | 1561139 | Wiel 4'comfort zwart Kusch | 2 |
| 3 | 1562627 | Wiel 5'lichtlopend zwart 3-spaaks Kusch ps | 2 |
| 4 | 1542640 | Wiel 5'comfort zwart Kusch ps | 2 |
| 5 | 1570108 | Kusch voorw.as pp | 2 |
| 6 | 1570105 | (Ball bearing 6000-2RS, pair) | 2 |



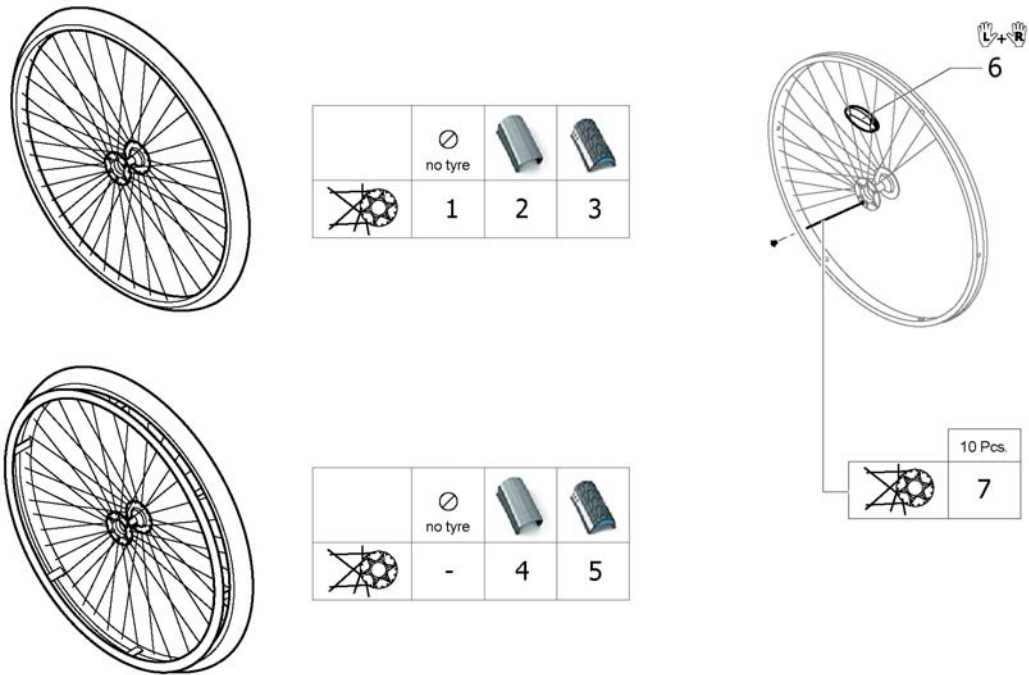
| | | | |
|---|---|-------------------------------------|---|
| 1 | - | (Economy wheel) | 1 |
| 2 | - | (24" Küschall rear wheels complete) | 1 |
| 3 | - | (High Performance wheel) | 1 |
| 4 | - | (Spinergy LXX wheel) | 1 |
| 5 | - | (Handrim) | 1 |
| 6 | - | (Tyre) | 1 |
| 7 | - | (Spoke guard) | 1 |
| 8 | - | (Quick release axle and bearing) | 1 |

(Economy wheel)



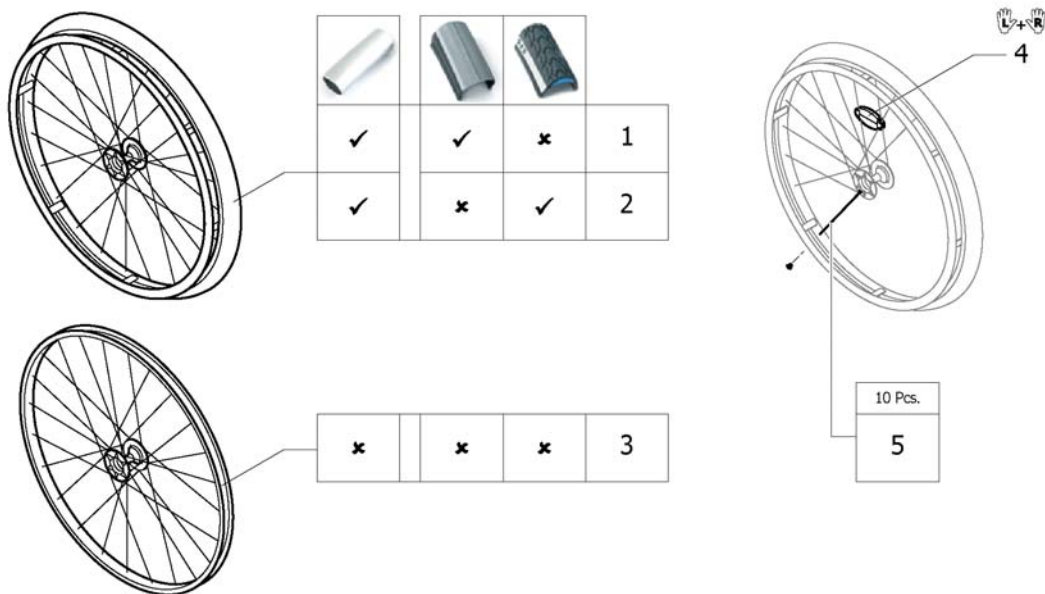
| | | | |
|---|---------|---|---|
| 1 | 1583058 | (Rear wheel 24" Economy) | 2 |
| 2 | 1583059 | (Handrim 24" Alu incl. Fixation kit for rear wheel 24" Economy) | 2 |
| 3 | 1571073 | (Spokereflection, pair) | 1 |

(24" Küschall rear wheels complete)



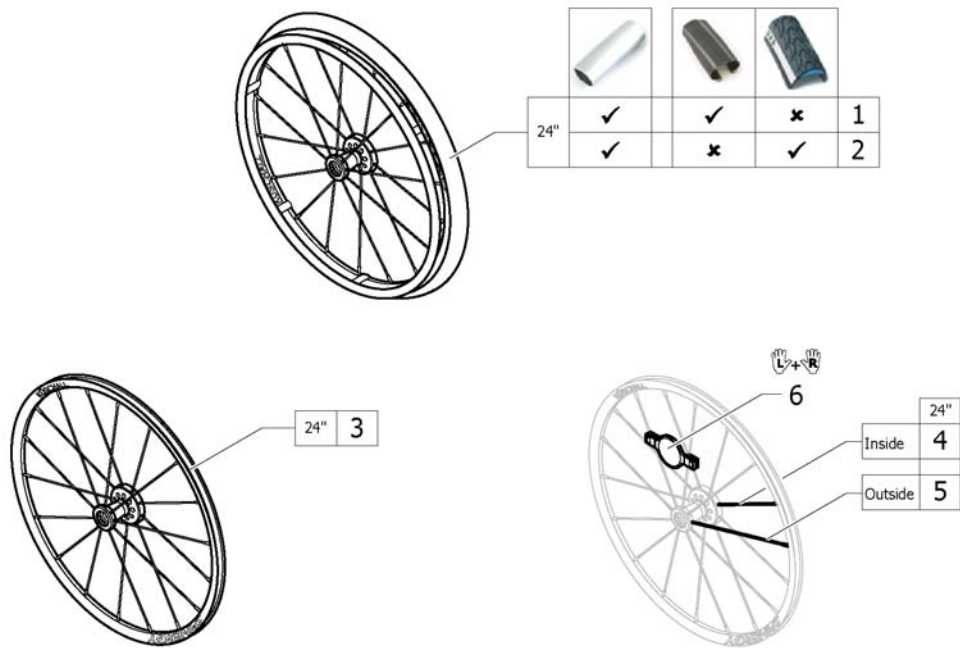
| | | | |
|---|--------------|---|---|
| 1 | 1567104-0407 | Kusch velg 24'starec gekr.ex.hoepel/buba ps | 2 |
| 2 | 1570471 | (Rear wheel 24", Starec hub X, without handrim, light wall tyre) | 2 |
| 3 | 1554399-0407 | (Rear wheel 24", Starec X, colourless, without handrim, marathon evolution) | 2 |
| 4 | 1570472 | Wiel 24'starec kruis lic htl.+hoepel Kusch ps | 2 |
| 5 | 1554400-0407 | (Rear wheel 24", Starec X, colourless, handrim, marathon evolution) | 2 |
| 6 | 1571073 | (Spokereflection, pair) | 1 |
| 7 | 1579086 | Kusch spaak 24' starec gekruisd 10st. | 1 |

(High Performance wheel)




| | | | |
|---|--------------|---|---|
| 1 | 1420958 | Wiel 24'starec kruis HP +hoepel Kusch ps | 2 |
| 2 | 1527046 | (Wheel 24", High Performance, colourless, handrim alu, tyre Marathon Evolution) | 2 |
| 3 | 1517723-0407 | (Wheel 24", High Performance, colourless, without handrim, without tyre) | 2 |
| 4 | 1571073 | (Spokereflection, pair) | 1 |
| 5 | 1578867 | Kusch spaken tbv.high- perf.wiel set van 10 | 1 |

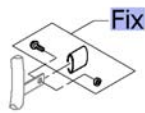
Küschall® K-Series Attract | (REAR WHEELS)
(Spinergy LXX wheel)



| | | | |
|---|---------|--|---|
| 1 | 1585007 | (Rear wheel 24", Spinergy LXX, handrim alu, tyre Schwalbe One) | 2 |
| 2 | 1585008 | (Rear wheel 24", Spinergy LXX, handrim alu, tyre Marathon Evolution) | 2 |
| 3 | 1579102 | Kusch velg 24'spinergy LXX ps | 2 |
| 4 | 1579103 | (Spoke inside for Spinergy LXX wheel 24", 236mm., 1 Pcs.) | 9 |
| 5 | 1579104 | (Spoke outside for Spinergy LXX wheel 24", 249mm., 1 Pcs.) | 9 |
| 6 | 1571088 | (Spoke reflection for Spinergy wheel, pair) | 1 |









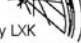
(Handrim)

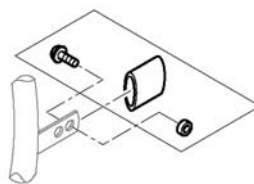
| | | | | | | |
|--|-----|---|---|---|---|--|
| | |  |  |  |  |  |
| | | 3cm | 24" | 24" | 24" | 24" |
| | |  | | | | |
| | | 4cm | | | | |
| Küschall wheel  | 3cm | 1 | 2 | 3 | 4 | |
| | 4cm | - | - | 3 | 4 | |
| High Performance  | 3cm | 1 | 2 | 3 | 4 | |
| | 4cm | - | - | 3 | 4 | |
| Spinergy LXX  | 3cm | 1 | 2 | 3 | 4 | |
| | 4cm | - | - | 3 | 4 | |



| | | | |
|-----|--------------|--|---|
| Fix | - | (Fixation handrim) | 2 |
| 1 | 1568714-0005 | Hoepel 24'alu afst.3cm >01/07/2013 ps | 2 |
| 2 | 1568715 | (Handrim 24" steel polished, distance 3cm) | 2 |
| 3 | 1568703 | Hoepel 24'supergrip ps Kusch | 2 |
| 4 | 1556916 | Hoepel 24'surge LT Kusch ps | 2 |








Küschall® K-Series Attract | (REAR WHEELS)
(Fixation handrim)

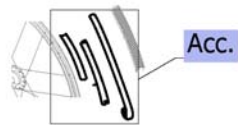
| | | Aluminium | Steel | Supergrip | Surge | | |
|---|-----|---|---|--|---|---|---|
|  | 3cm |  |  |  |  | | |
| | 4cm |  |  |  |  | | |
|  Küschall wheel | 3cm |  |  |  |  |  |  |
| | 4cm | - | - | - | 2 | 3 | - |
|  High Performance | 3cm | 4 | 4 | 4 | 4 | 6 | 4 |
| | 4cm | - | - | - | 5 | 6 | - |
|  Spinergy LXX | 3cm | 4 | - | 4 | - | 6 | - |
| | 4cm | - | - | - | 5 | - | - |



| | | | |
|---|---------|---|---|
| 1 | 1495958 | Kusch hoepel bev.set 3cm set voor 1 wiel | 2 |
| 2 | 1495959 | Kusch hoepel bev.set 4cm set voor 1 wiel | 2 |
| 3 | 1495961 | (Fixation kit handrim, 4 cm with spokes guard) | 2 |
| 4 | 1496019 | (Fixation kit handrim for High Performance wheel, 3 cm) | 2 |
| 5 | 1496020 | (Fixation kit handrim for High Performance wheel, 4 cm) | 2 |
| 6 | 1497111 | (Fixation kit handrim for High Performance wheel, 4 cm with spokes guard) | 2 |








(Tyre)

| |  |  |  |  |
|--|---|---|---|---|
| | 24" | 24" | 24" | 24" |
|  Küschall Räder | 1 | 2 | 3 | 4 |
|  High Performance | 1 | 2 | 3 | - |
|  Spinergy LxK | 1 | 2 | 3 | - |





| | | | |
|------|---------|--|---|
| Acc. | - | (Inner tube and rim protector) | 2 |
| 1 | 1570828 | (Tyre Light wall 24") | 2 |
| 2 | 1570838 | Kusch buba Marathon Evolution Schwalbe 24'ps | 2 |
| 3 | 1578802 | (Tyre 24" Schwalbe One) | 2 |
| 4 | 1570831 | (Solid tyre 24", profile) | 2 |

Küschall® K-Series Attract | (REAR WHEELS)
(Inner tube and rim protector)

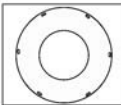



| | |  |  |  |  |
|--|---|---|---|---|--|
| | | 24" | 24" | 24" | 24" |
|  Küschall Räder | A | 1 | 1 | 1 | - |
| | B | 2 | 2 | 2 | 2 |
|  High Performance | A | 1 | 1 | 1 | - |
| | B | 3 | 3 | 3 | - |
|  Spinegy LXX | A | 1 | 1 | 1 | - |
| | B | 3 | 3 | 3 | - |

Inner Tube (A) Rim protector (B)

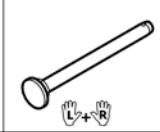
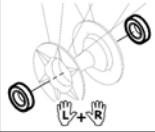

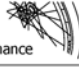





| | | | |
|---|---------|---|---|
| 1 | 1570849 | Biba 24'x1 ps Kusch | 2 |
| 2 | 1570845 | (Rim protection 24" Large) | 2 |
| 3 | 1495962 | (Rim Protection for High Performance / Spinegy wheel) | 2 |
| 4 | 1571072 | (Rear wheel inset anti-flat for 20,22,24,26" tyre) | 1 |

(Spoke guard)

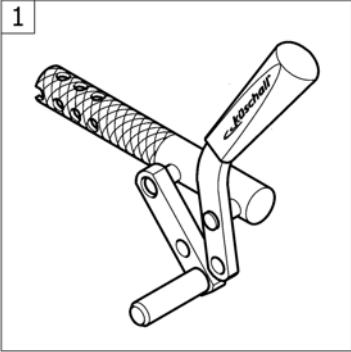
| | |
|---|---|
| |  |
| | 24" |
|  Küschall wheel | 1 |
|  High Performance | 1 |
|  Spinergy LXX | - |

Küschall® K-Series Attract | (REAR WHEELS)
(Quick release axle and bearing)

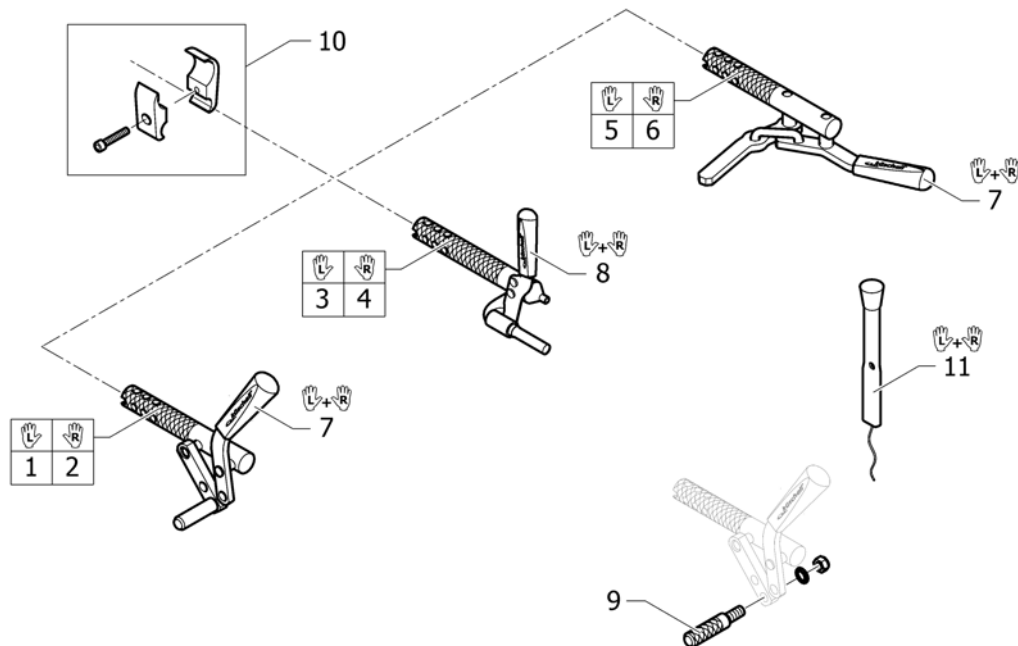
| | | |
|---|---|--|
| |  |  |
|  | 1 | 3 |
|  | 1 | 3 |
|  | 2 | 3 |
|  | 1 | - |

| | | | |
|---|--------------|--|---|
| 1 | 1509137-0407 | Kusch achterw.as qr+ afdekkap kleurloos pp | 2 |
| 2 | 1507627 | Kusch achterw.as tbv. Spinergy wiel pp | 2 |
| 3 | 1571069 | (Bearing R8-2RS 1/2"/1.1/8"x5/16", pair) | 2 |

(BRAKES)

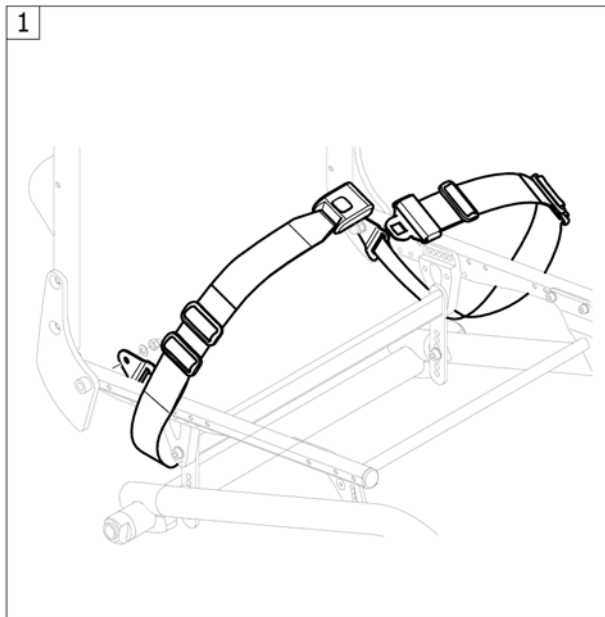


(Brakes)



| | | | |
|----|---------|--|---|
| 1 | 1562583 | Advance rem gebogen li ex.bev. | 1 |
| 2 | 1562584 | Advance rem gebogen re ex.bev. | 1 |
| 3 | 1562591 | Advance rem performance links ex.bev. | 1 |
| 4 | 1562592 | Advance rem performance re ex.bev. | 1 |
| 5 | 1562593 | (Active brake left) | 1 |
| 6 | 1562594 | (Active brake right) | 1 |
| 7 | 1513177 | Kusch remhendeloes pp | 1 |
| 8 | 1513178 | (Brake handle for performance brake, pair) | 1 |
| 9 | 1579328 | (Brake shoe standard (40mm), kit 4 Pcs.) | 1 |
| 10 | 1562599 | (Clamping piece to brake, set) | 2 |
| 11 | 1513179 | Kusch remverlenger pp | 1 |

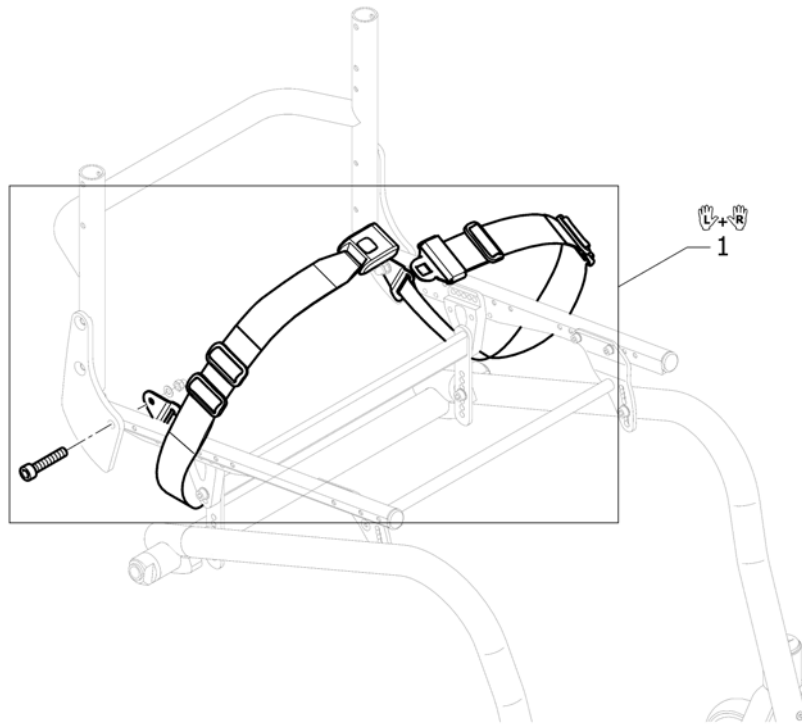
(SAFETY OPTIONS)



1 -

(Seatbelt for transportation)

1

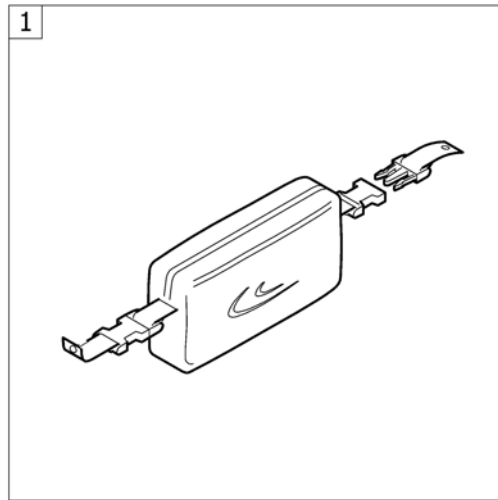


1 1561025

K-Serie G3 crashkit gordel/sticker/handl.

1

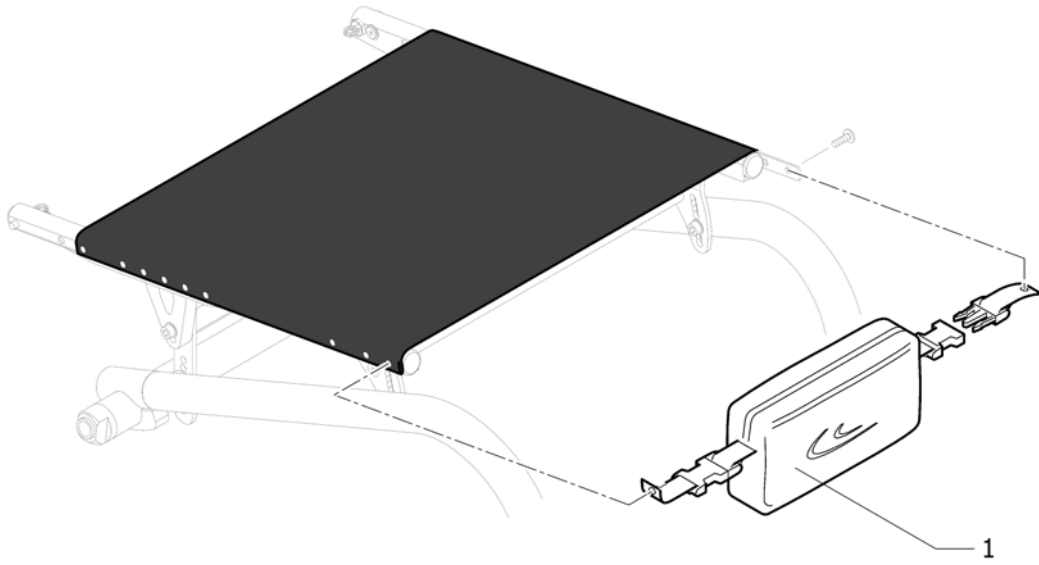
(SEAT ACCESSORIES)



1 -

(Seat frame bag)

1

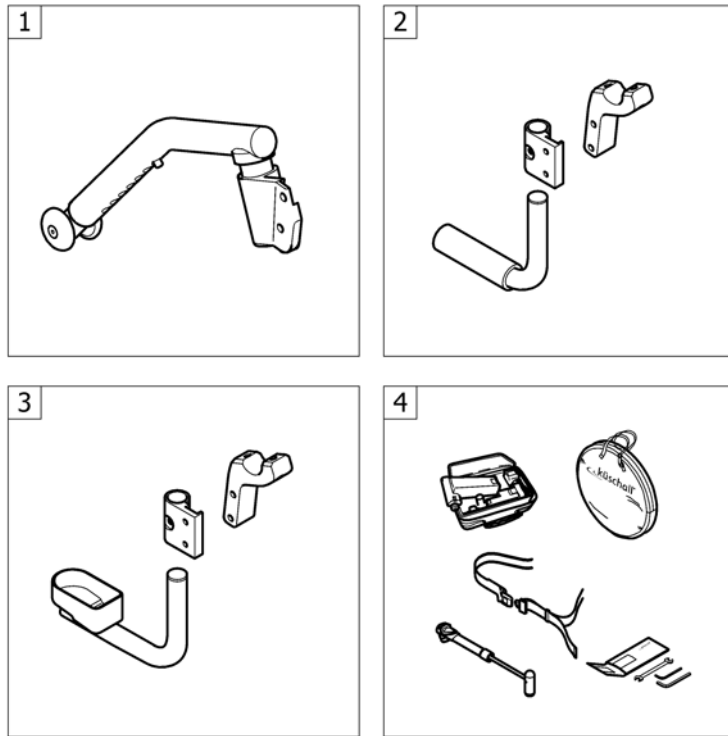


1 1529340

K-Serie tas onder zitting cpl G3/05/K-Serie

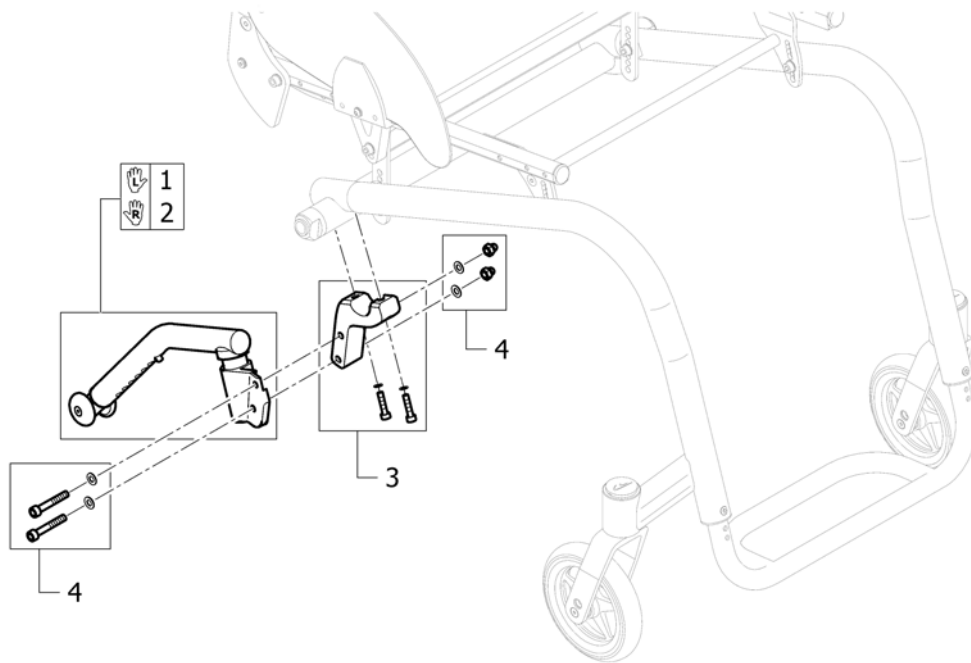
1

(OPTIONS & ACCESSORIES)



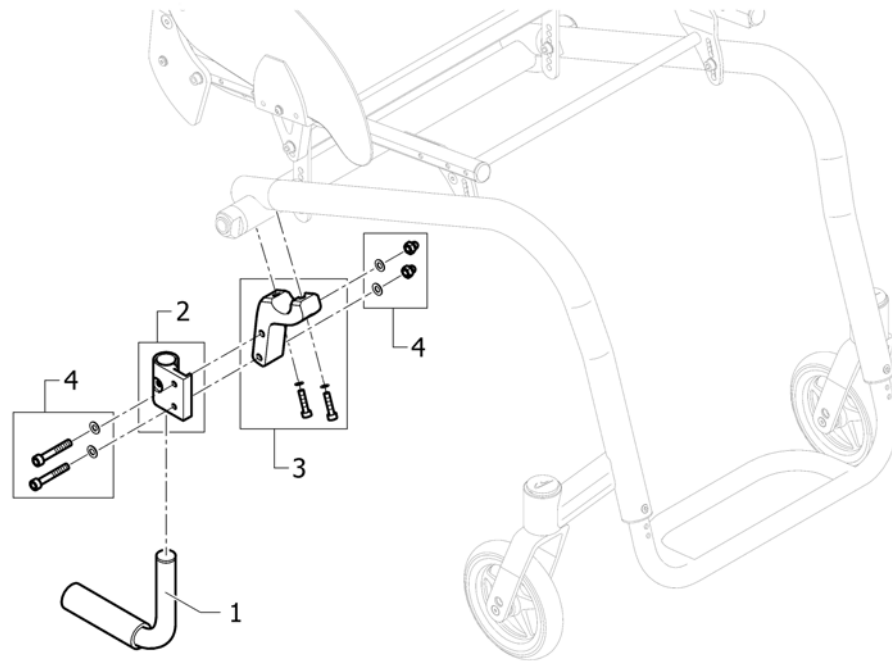
| | | | |
|---|---|---------------------|---|
| 1 | - | (Antitipper) | 1 |
| 2 | - | (Tipper aid) | 1 |
| 3 | - | (Cane holder) | 1 |
| 4 | - | (Chair accessories) | 1 |

(Antitipper)



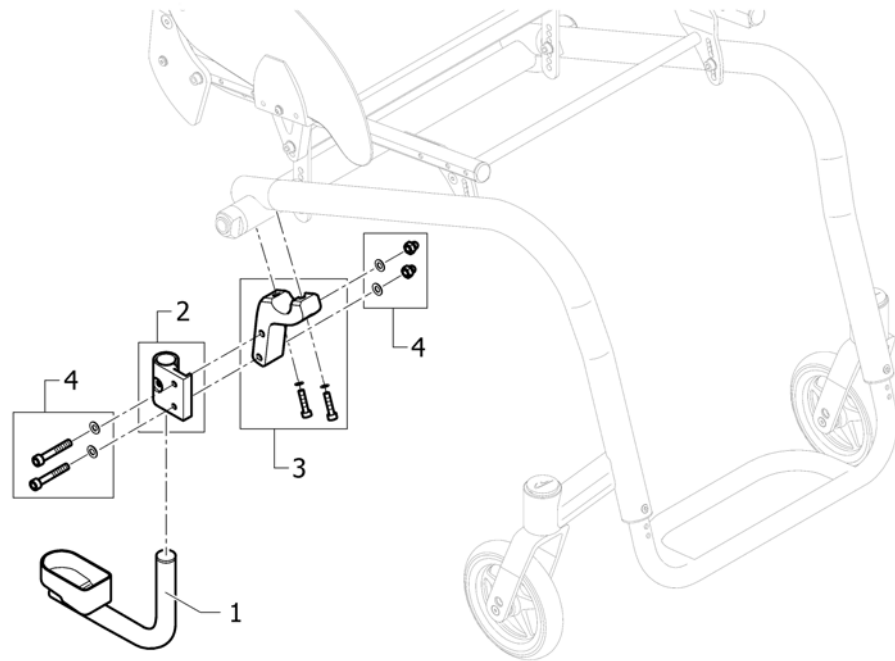
| | | | |
|---|---------|--|---|
| 1 | 1488927 | K-Serie 2005 anti-tip kort li.ex.bev.cpl | 1 |
| 2 | 1488928 | K-Serie 2005 anti-tip kort re.ex.bev.cpl | 1 |
| 3 | 1585058 | (Adaptions holder kit) | 1 |
| 4 | 1585083 | (Fixation kit for adaptions holder) | 1 |

(Tipper aid)



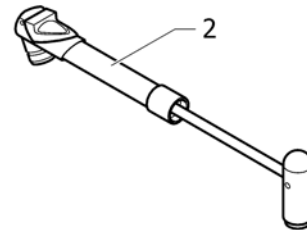
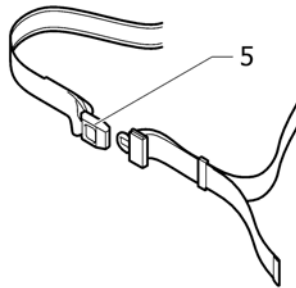
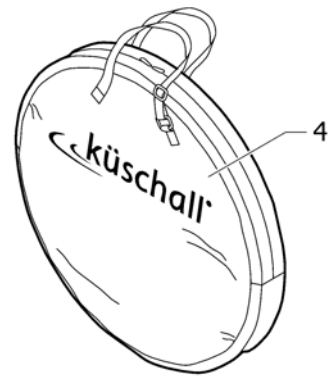
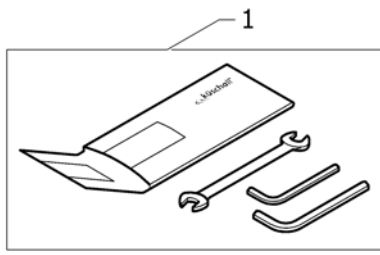
| | | | |
|---|---------|-------------------------------------|---|
| 1 | 1438213 | Kusch trapdop cpl Compact/UI | 1 |
| 2 | 1585084 | (Adaption holder) | 1 |
| 3 | 1585058 | (Adaptions holder kit) | 1 |
| 4 | 1585083 | (Fixation kit for adaptions holder) | 1 |

(Cane holder)



| | | | |
|---|---------|--|---|
| 1 | 1438214 | Kusch stokhouder ex.bev. ps Compact/UI | 1 |
| 2 | 1585084 | (Adaption holder) | 1 |
| 3 | 1585058 | (Adaptions holder kit) | 1 |
| 4 | 1585083 | (Fixation kit for adaptions holder) | 1 |

(Chair accessories)



| | | | |
|---|---------|---|---|
| 1 | 1518285 | Kuschall gereedschapset cpl | 1 |
| 2 | 1517924 | Kusch pomp ps | 1 |
| 3 | 1518286 | Kusch airman | 1 |
| 4 | 1518287 | Kusch reistas voor achterwielen (24/25/26') | 1 |
| 5 | 1518288 | Kusch veiligheidsgordel ps | 1 |



Yes, you can.®



Belgium & Luxemburg:

Invacare nv, Autobaan 22, B-8210 Loppem
Tel: (32) (0)50 83 10 10, Fax: (32) (0)50 83 10 11
belgium@invacare.com / www.invacare.be

Denmark:

Invacare A/S, Sdr. Ringvej 37, DK-2605 Brøndby
Tel: (45) (0)36 90 00 00, Fax: (45) (0)36 90 00 01
denmark@invacare.com / www.invacare.dk

Deutschland:

Invacare Aquatec GmbH, Alemannenstraße 10, D-88316 Isny
Tel: (49) (0)75 62 7 00 0, Fax: (49) (0)75 62 7 00 66
info@invacare-aquatec.com / www.invacare-aquatec.de

European Distributor Organisation:

Invacare, Kleiststraße 49, D-32457 Porta Westfalica
Tel: (49) (0)57 31 754 540, Fax: (49) (0)57 31 754 541
edo@invacare.com / www.invacare.eu.com

España:

Invacare SA, c/Areny s/n, Polígon Industrial de Celrà, E-17460 Celrà (Girona)
Tel: (34) (0)972 49 32 00, Fax: (34) (0)972 49 32 20
contactsp@invacare.com / www.invacare.es

France:

Invacare Poirier SAS, Route de St Roch, F-37230 Fondettes
Tel: (33) (0)2 47 62 64 66, Fax: (33) (0)2 47 42 12 24
contactfr@invacare.com / www.invacare.fr

Ireland:

Invacare Ireland Ltd, Unit 5 Seatown Business Campus, Seatown Road, Swords, County Dublin - Ireland
Tel: (353) 1 810 7084, Fax: (353) 1 810 7085
ireland@invacare.com / www.invacare.ie

Italia:

Invacare Mecc San s.r.l., Via dei Pini 62, I-36016 Thiene (VI)
Tel: (39) 0445 38 00 59, Fax: (39) 0445 38 00 34
italia@invacare.com / www.invacare.it

Nederland:

Invacare BV, Celsiusstraat 46, NL-6716 BZ Ede
Tel: (31) (0)318 695 757, Fax: (31) (0)318 695 758
nederland@invacare.com, csede@invacare.com / www.invacare.nl

Norge:

Invacare AS, Grensesvingen 9, Postboks 6230, Etterstad, N-0603 Oslo
Tel: (47) (0)22 57 95 00, Fax: (47) (0)22 57 95 01
norway@invacare.com, island@invacare.com / www.invacare.no

Österreich:

Invacare Austria GmbH, Herzog Odilostrasse 101, A-5310 Mondsee
Tel: (43) 6232 5535 0, Fax: (43) 6232 5535 4
info-austria@invacare.com / www.invacare.at

Portugal:

Invacare Lda, Rua Estrada Velha, 949, P-4465-784 Leça do Balio
Tel: (351) (0)225 1059 46/47, Fax: (351) (0)225 1057 39
portugal@invacare.com / www.invacare.pt

Sverige & Suomi:

Invacare AB, Fagerstagatan 9, S-163 91 Spånga
Tel: (46) (0)8 761 70 90, Fax: (46) (0)8 761 81 08
sweden@invacare.com, finland@invacare.com / www.invacare.se

Switzerland:

Invacare AG, Benkenstrasse 260, CH-4108 Witterswil
Tel: (41) (0)61 487 70 80, Fax: (41) (0)61 487 70 81
switzerland@invacare.com / www.invacare.ch

United Kingdom:

Invacare Limited, Pencoed Technology Park, Pencoed, Bridgend CF35 5AQ
Switchboard Tel: (44) (0)1656 776200, Fax: (44) (0)1656 776201
Customer services Tel: (44) (0)1656 776222, Fax: (44) (0)1656 776220
uk@invacare.com / www.invacare.co.uk