

Spare Parts Catalogue

Version: 2017/08/10a NL



KÜSCHALL K-SERIES



Yes, you can.®

General Information

For any order of spare parts the following information is required:

- Product type*
- Product name & model*
- Serial Number*
- Part-Number*
- Part-Description*

Exploded view drawings and code numbers are not contractual and subject to modification, in relation to Invacare® continuous product improvement policy to meet end users needs.

The reproduction or use of this work, or of any substantial part of this work, in any form or by any electronic, mechanical or other means, including photocopying, scanning and recording, and in any information storage and retrieval system, including electronic transmission, is forbidden without the prior written permission of Invacare® International Sarl.



Yes, you can.®

TABLE OF CONTENTS

(INFORMATION)

(Abbreviations)	7
(Frame colours)	8
(CPS colours)	9

(CHASSIS)

(CHASSIS)	10
(Frame Aluminium 75° standard =>31.01.2017)	11
(Configuration table for frame Aluminium K4 75° standard)	15
(Frame Aluminium 75° standard 01.02.2017=>)	16
(Configuration table for frame Aluminium K4 75° standard)	15
(Frame Aluminium 75° adducted =>31.01.2017)	19
(Configuration table for frame Aluminium K4 75° adducted)	21
(Frame Aluminium 75° adducted 01.02.2017=>)	22
(Configuration table for frame Aluminium K4 75° adducted)	21
(Frame Titanium 75° standard =>31.01.2017)	24
(Configuration table for frame Titanium K4 75° standard)	25
(Frame Titanium 75° standard 01.02.2017=>)	26
(Configuration table for frame Titanium K4 75° standard)	25
(Frame Carbon 75° standard 01.02.2017=>)	27
(Configuration table for frame Carbon K4 75° standard)	28
(Frame Aluminium 90° standard =>31.01.2017)	29
(Configuration table for frame Aluminium AirLite 90° standard)	33
(Frame Aluminium 90° standard 01.02.2017=>)	34
(Configuration table for frame Aluminium AirLite 90° standard)	33
(Frame Aluminium 90° adducted =>31.01.2017)	37
(Configuration table for frame Aluminium AirLite 90° adducted)	39
(Frame Aluminium 90° adducted 01.02.2017=>)	40
(Configuration table for frame Aluminium AirLite 90° adducted)	39
(Frame Titanium 90° standard =>31.01.2017)	42
(Configuration table for frame Titanium AirLite 90° standard)	43
(Frame Titanium 90° standard 01.02.2017=>)	44
(Configuration table for frame Titanium AirLite 90° standard)	43
(Axle tube Aluminium)	45
(Axle tube Carbon)	47
(Vario-Ax)	49
(Axle holder =>31.01.2017)	50
(Axle holder 01.02.2017=>)	51
(Rear wheel extension standard)	52
(Rear wheel extension for Vario-Ax)	53

(SEAT)

(SEAT)	54
(Seat module 01.02.2017=>)	55
(Seatcover standard)	57
(Seatcover adjustable)	60
(Seatcover light)	62
(Seatcover light for seat upholstery bag)	63
(Seat module =>31.01.2017)	64
(Seat frame, cover standard)	66



Yes, you can.®

TABLE OF CONTENTS

(Seat frame, cover tension adjustable)	70
(Seat frame, cover light)	73
(Seat frame, cover light for seat upholstery bag)	76
(Seat cushion standard)	81
(Seat cushion Alcantara)	83

(BACKREST)

(BACKREST)	84
(Backrest (rounded bar))	85
(Lady backrest)	87
(Straight bar backrest)	88
(Küschall backrest parts for Matrix backs)	90
(Backrest cover light)	92
(Bands to adjustable backrest)	95
(Cover to adjustable backrest)	96
(Push handles, height adjustable, rear set)	98

(FOOTREST)

(FOOTREST)	99
(Footrest standard mounted on frame aluminium short)	100
(Configuration table for footrest standard mounted on frame aluminium short)	103
(Footrest standard mounted on frame aluminium Std. or +5cm)	104
(Configuration table for footrest standard mounted on frame aluminium Std. or +5cm)	107
(Footrest standard mounted on frame Titanium)	108
(Configuration table for footrest standard mounted on frame Titanium)	111
(Footrest standard mounted on frame Carbon)	112
(Configuration table for footrest standard mounted on frame Carbon)	114
(Footrest standard for adducted frame)	115
(Configuration table for footrest standard mounted on adducted frame)	118
(Footrest angle adjustable)	119
(Configuration table for footrest angle adjustable)	120
(Footrest angle adjustable for adducted frame)	121
(Configuration table for footrest angle adjustable mounted on adducted frame)	122
(Footrest highmounted)	123
(Footrest flip-to-side)	125
(Configuration table for footrest flip-to-side)	126
(Calf strap)	127

(SIDERESTS)

(SIDERESTS)	128
(Clothes-guards carbon)	129
(Configuration table clothes-guard carbon)	130
(Clothes-guards economy)	131
(Configuration table clothes-guard economy)	132
(Mudguards carbon)	133
(Configuration and size table mudguards carbon)	134
(Mudguards economy)	135
(Configuration table mudguards Economy)	136
(Siderest height adjustable)	137
(Tubular armrest)	138



Yes, you can.®

TABLE OF CONTENTS

(FRONT WHEELS)

(FRONT WHEELS)	139
(Front forks standard)	140
(Configuration table for front fork size)	142
(Front wheels)	143

(REAR WHEELS)

(REAR WHEELS)	145
(24" Starec rear wheels complete)	146
(26" Starec rear wheels complete)	149
(High Performance wheel)	152
(Mountainbike wheel)	155
(Ultra-light fibre wheel)	156
(Spinergy wheel)	157
(Spinergy L XK wheel)	158
(Active wheel 01.07.2014=>)	159
(Spider wheel)	160
(Hub brake wheel)	161
(Handrim)	162
(Fixation handrim)	164
(Tyre)	165
(Inner tube and rim protector)	166
(Spokes guard)	167
(Quick release axle and bearing)	168

(BRAKES)

(BRAKES)	169
(Brakes =>31.01.2017)	170
(Brakes 01.02.2017=>)	171
(One arm brake)	172

(SAFETY OPTIONS)

(SAFETY OPTIONS)	173
(Seatbelt for transportation)	174

(SEAT ACCESSORIES)

(SEAT ACCESSORIES)	175
(Suspension)	176
(Seat upholstery bag)	177
(Seat frame bag)	178

(PROPULSIONS OPTIONS)

(PROPULSIONS OPTIONS)	179
(One arm drive)	180

(OPTIONS & ACCESSORIES)

(OPTIONS & ACCESSORIES)	181
(Antitipper)	182

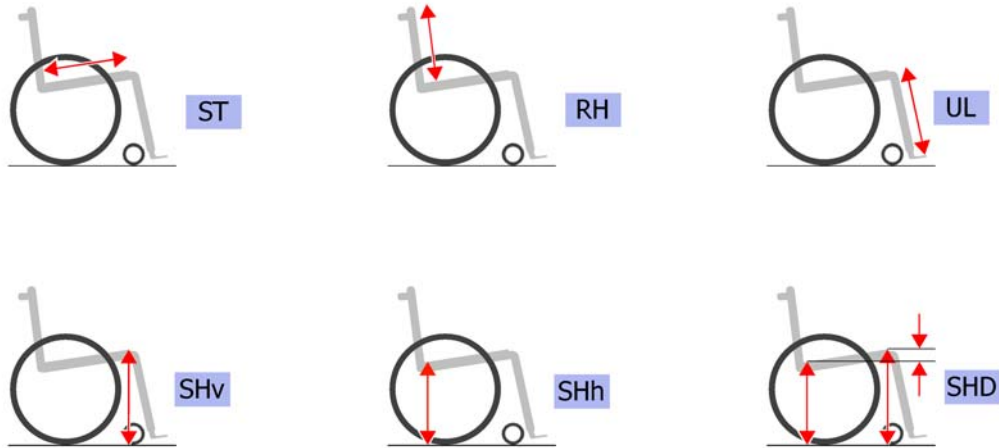


Yes, you can.®

TABLE OF CONTENTS

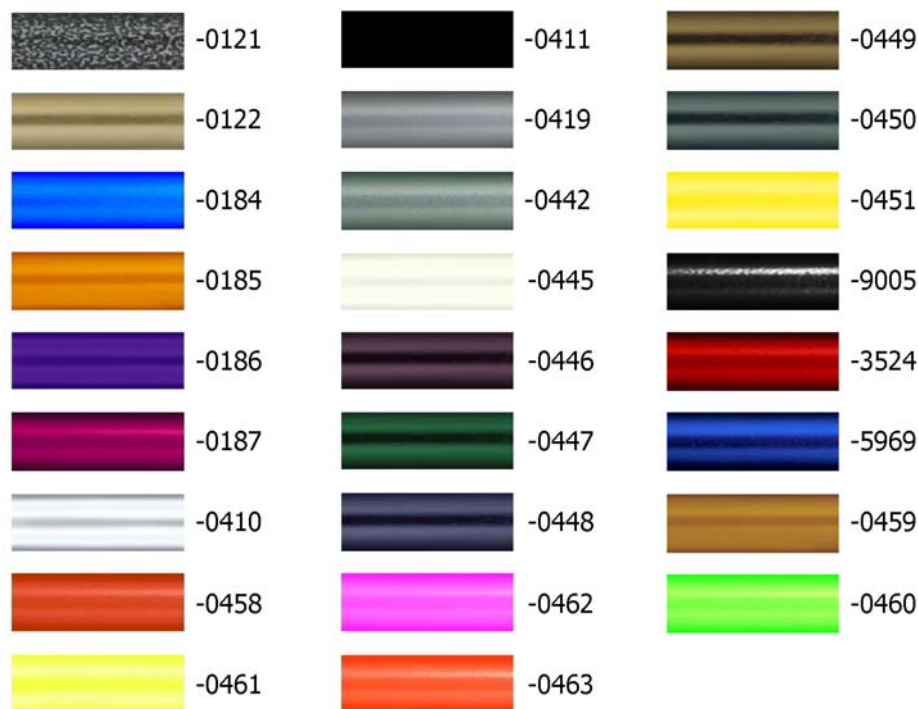
(Active Antitipper)	183
(Transit wheel)	184
(Luggage holder)	185
(Chair accessories)	186
(Fixation: screws, ...)	187
(Socket head cap screws)	188
(Countersunk screws)	191
(Button head screws)	193
(Hex-head screws, diverse, ...)	195
(Washers)	197
(Nuts)	199
(Pins, rivets, ...)	201

(Abbreviations)

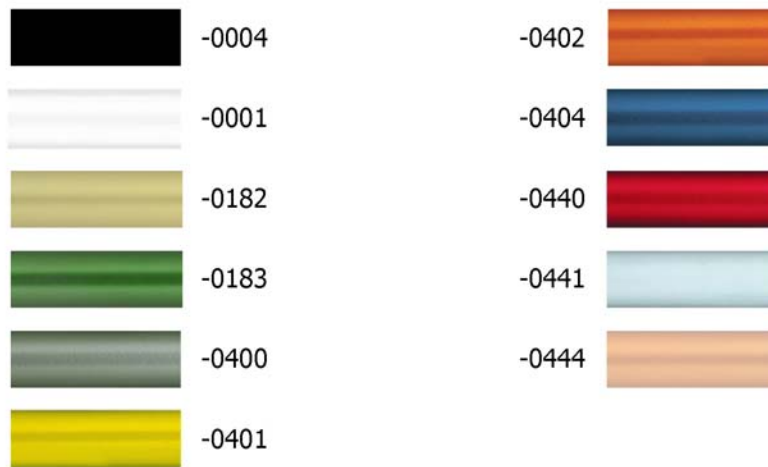


L	-	(Left side (sitting in the wheelchair))	0
R	-	(Right side (sitting in the wheelchair))	0
L+R	-	(Left and right sides (pair))	0
SB	-	(Seat width (2 digits in cm or 3 digits in mm))	0
ST	-	(Seat depth (2 digits in cm or 3 digits in mm))	0
RH	-	(Backrest height (2 digits in cm or 3 digits in mm))	0
UL	-	(Knee-to-heel length (2 digits in cm or 3 digits in mm))	0
SHv	-	(Front seat-to-floor height (2 digits in cm or 3 digits in mm))	0
SHh	-	(Rear seat-to-floor height (2 digits in cm or 3 digits in mm))	0
SHD	-	(Front and rear seat-to-floor height difference (2 digits in cm or 3 digits in mm))	0

(Frame colours)

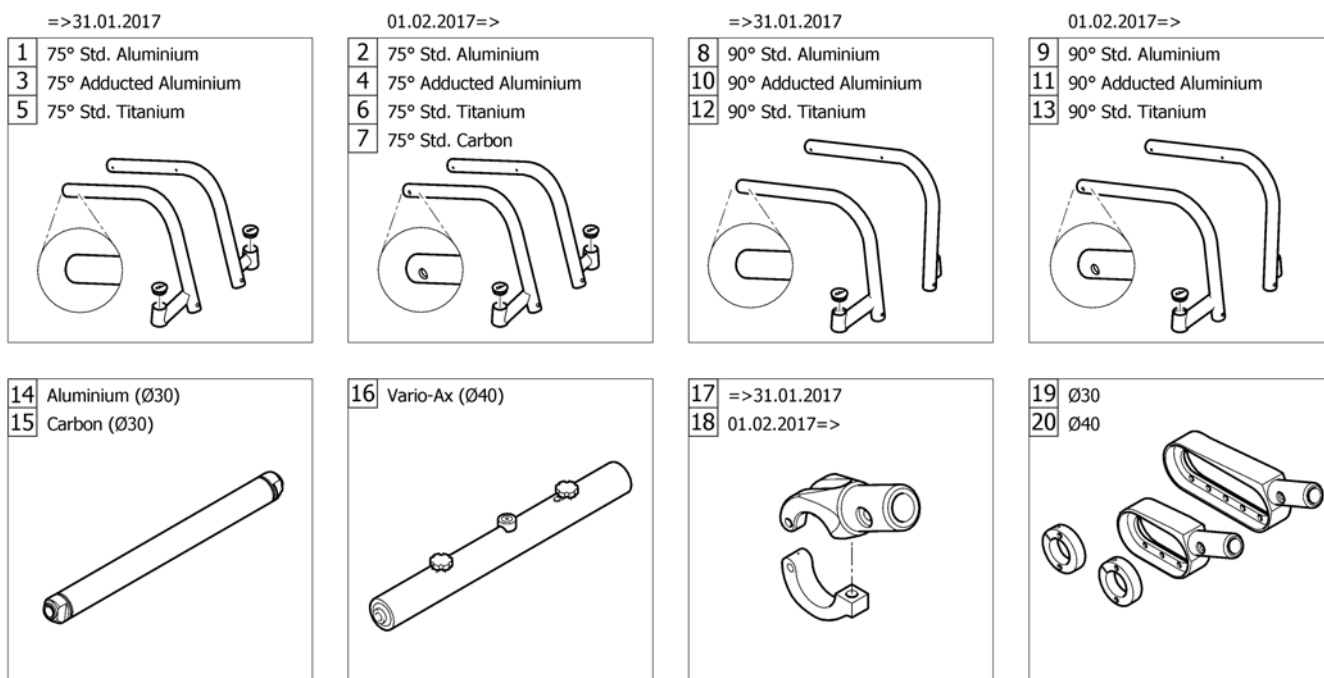


-0121	-	(Color code for black-grey rustico frames)	01.01.2012 → 31.12.2014	0
-0122	-	(Color code for golden beach frames)	01.01.2013 → 31.12.2014	0
-0184	-	(Color code for mercury blue frames)	01.01.2015 →	0
-0185	-	(Color code for dynamite orange frames)	01.01.2015 →	0
-0186	-	(Color code for atomic violet frames)	01.01.2015 →	0
-0187	-	(Color code for nitro pink frames)	01.01.2015 →	0
-0410	-	(Color code for polished frames)		0
-0458	-	(Color code for Red Mat frames)	01.02.2017 →	0
-0461	-	(Color code for Neon Yellow frames)	01.02.2017 →	0
-0411	-	(Color code for black matt frames)		0
-0419	-	(Color code for silver grey frames)		0
-0442	-	(Color code for night shimmer frames)		0
-0445	-	(Color code for ivory white frames)		0
-0446	-	(Color code for purple fire frames)		0
-0447	-	(Color code for emerald green frames)	01.11.2010 → 31.12.2012	0
-0448	-	(Color code for midnight blue frames)	01.11.2010 → 31.12.2012	0
-0462	-	(Color code for Neon Pink frames)	01.02.2017 →	0
-0463	-	(Color code for Neon Red frames)	01.02.2017 →	0
-0449	-	(Color code for umber glaze frames)	01.11.2010 → 31.12.2014	0
-0450	-	(Color code for smokey grey frames)		0
-0451	-	(Color code for flashy yellow frames)		0
-9005	-	(Color code for glossy black frames)		0
-3524	-	(Color code for royal red frames)		0
-5969	-	(Color code for royal blue frames)		0
-0459	-	(Color code for Caramel bronze frames)	01.02.2017 →	0
-0460	-	(Color code for Neon Green frames)	01.02.2017 →	0



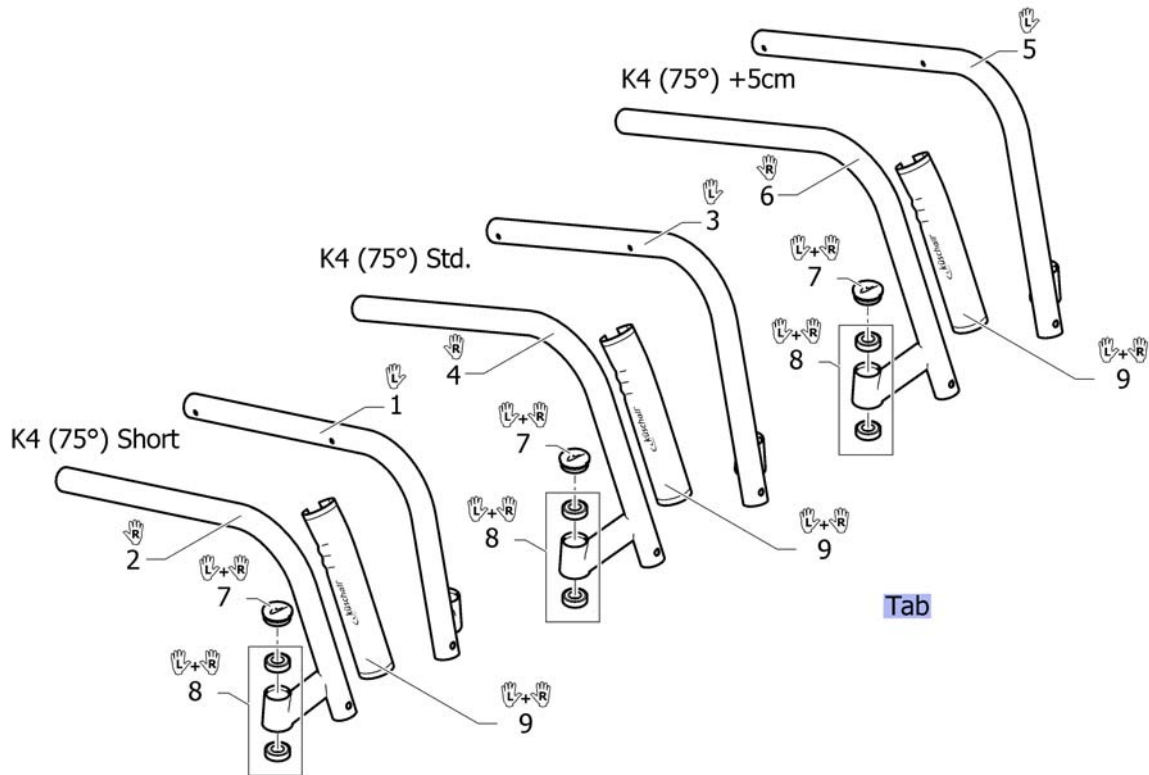
-0004	-	(Color code for black anodized CPS)		0
-0001	-	(Color code for chrome CPS)		0
-0182	-	(Color code for champagne CPS)	01.01.2013 →	0
-0183	-	(Color code for olive CPS)	01.01.2013 →	0
-0400	-	(Color code for techno-anthrazit CPS)		0
-0401	-	(Color code for lemon CPS)	01.11.2010 → 31.12.2012	0
-0402	-	(Color code for apricot CPS)	01.11.2010 → 31.12.2012	0
-0404	-	(Color code for b-blue CPS)		0
-0440	-	(Color code for comet red CPS)		0
-0441	-	(Color code for arctic blue CPS)		0
-0444	-	(Color code for copper glaze CPS)		0

(CHASSIS)



1	-	(Frame Aluminium 75° standard =>31.01.2017)	1
2	-	(Frame Aluminium 75° standard 01.02.2017=>)	1
3	-	(Frame Aluminium 75° adducted =>31.01.2017)	1
4	-	(Frame Aluminium 75° adducted 01.02.2017=>)	1
5	-	(Frame Titanium 75° standard =>31.01.2017)	1
6	-	(Frame Titanium 75° standard 01.02.2017=>)	1
7	-	(Frame Carbon 75° standard 01.02.2017=>)	1
8	-	(Frame Aluminium 90° standard =>31.01.2017)	1
9	-	(Frame Aluminium 90° standard 01.02.2017=>)	1
10	-	(Frame Aluminium 90° adducted =>31.01.2017)	1
11	-	(Frame Aluminium 90° adducted 01.02.2017=>)	1
12	-	(Frame Titanium 90° standard =>31.01.2017)	1
13	-	(Frame Titanium 90° standard 01.02.2017=>)	1
14	-	(Axle tube Aluminium)	1
15	-	(Axle tube Carbon)	1
16	-	(Vario-Ax)	1
17	-	(Axle holder =>31.01.2017)	1
18	-	(Axle holder 01.02.2017=>)	1
19	-	(Rear wheel extension standard)	1
20	-	(Rear wheel extension for Vario-Ax)	1

(Frame Aluminium 75° standard =>31.01.2017)



Tab	-	(Configuration table for frame Aluminium K4 75° standard)		1
1	1545787-0121	(Front frame K4 short, left, black-grey rustico)	01.01.2012 → 31.12.2014	1
1	1545787-0122	(Front frame K4 short, left, golden beach)	01.01.2013 → 31.12.2014	1
1	1545787-0184	(Front frame K4 short, left, mercury blue)	01.01.2015 →	1
1	1545787-0185	(Front frame K4 short, left, dynamite orange)	01.01.2015 →	1
1	1545787-0186	(Front frame K4 short, left, atomic violet)	01.01.2015 →	1
1	1545787-0187	(Front frame K4 short, left, nitro pink)	01.01.2015 →	1
1	1545787-0410	K-Serie G3 framedeel 75gr.kort li polished		1
1	1545787-0411	(Front frame K4 short, left, black, matt)		1
1	1545787-0419	(Front frame K4 short, left, silver grey)		1
1	1545787-0442	K-Serie G3 framedeel 75gr.kort li nightshim.		1
1	1545787-0445	(Front frame K4 short, left, ivory white)		1
1	1545787-0446	(Front frame K4 short, left, purple fire)		1
1	1545787-0447	(Front frame K4 short, left, emerald green)	01.11.2010 → 31.12.2012	1
1	1545787-0448	(Front frame K4 short, left, midnight blue)	01.11.2010 → 31.12.2012	1
1	1545787-0449	(Front frame K4 short, left, umber glaze)	01.11.2010 → 31.12.2014	1
1	1545787-0450	(Front frame K4 short, left, smokey grey)		1
1	1545787-0451	(Front frame K4 short, left, flashy yellow)		1
1	1545787-3524	(Front frame K4 short, left, royal red)		1
1	1545787-5969	(Front frame K4 short, left, royal blue)		1
1	1545787-9005	(Front frame K4 short, left, black, glossy)		1
2	1545788-0121	(Front frame K4 short, right, black-grey rustico)	01.01.2012 → 31.12.2014	1
2	1545788-0122	(Front frame K4 short, right, golden beach)	01.01.2013 → 31.12.2014	1
2	1545788-0184	(Front frame K4 short, right, mercury blue)	01.01.2015 →	1
2	1545788-0185	(Front frame K4 short, right, dynamite orange)	01.01.2015 →	1
2	1545788-0186	(Front frame K4 short, right, atomic violet)	01.01.2015 →	1

(Frame Aluminium 75° standard =>31.01.2017)

2	1545788-0187	(Front frame K4 short, right, nitro pink)	01.01.2015 →	1
2	1545788-0410	K-Serie G3 framedeel 75gr.kort re polished		1
2	1545788-0411	(Front frame K4 short, right, black, matt)		1
2	1545788-0419	(Front frame K4 short, right, silver grey)		1
2	1545788-0442	K-Serie G3 framedeel 75gr.kort re nightshim.		1
2	1545788-0445	(Front frame K4 short, right, ivory white)		1
2	1545788-0446	(Front frame K4 short, right, purple fire)		1
2	1545788-0447	(Front frame K4 short, right, emerald green)	01.11.2010 → 31.12.2012	1
2	1545788-0448	(Front frame K4 short, right, midnight blue)	01.11.2010 → 31.12.2012	1
2	1545788-0449	(Front frame K4 short, right, umber glaze)	01.11.2010 → 31.12.2014	1
2	1545788-0450	(Front frame K4 short, right, smokey grey)		1
2	1545788-0451	(Front frame K4 short, right, flashy yellow)		1
2	1545788-3524	(Front frame K4 short, right, royal red)		1
2	1545788-5969	(Front frame K4 short, right, royal blue)		1
2	1545788-9005	(Front frame K4 short, right, black, glossy)		1
3	1545791-0121	K-Serie G3 framedeel 75gr.std li bg rusti	01.01.2012 → 31.12.2014	1
3	1545791-0122	(Front frame K4, left, golden beach)	01.01.2013 → 31.12.2014	1
3	1545791-0184	(Front frame K4, left, mercury blue)	01.01.2015 →	1
3	1545791-0185	(Front frame K4, left, dynamite orange)	01.01.2015 →	1
3	1545791-0186	(Front frame K4, left, atomic violet)	01.01.2015 →	1
3	1545791-0187	(Front frame K4, left, nitro pink)	01.01.2015 →	1
3	1545791-0410	K-Serie G3 framedeel 75graden li chroom		1
3	1545791-0411	(Front frame K4, left, black, matt)		1
3	1545791-0419	K-Serie G3 framedeel 75gr.std li silver grey		1
3	1545791-0442	K-Serie G3 framedeel 75gr.std.links night sh.		1
3	1545791-0445	K-Serie G3 framedeel 75gr.std links iv.white		1
3	1545791-0446	K-Serie G3 framedeel 75gr.std li purple fire		1
3	1545791-0447	(Front frame K4, left, emerald green)	01.11.2010 → 31.12.2012	1
3	1545791-0448	K-Serie G3 framedeel 75gr.std.links midn.bl.	01.11.2010 → 31.12.2012	1
3	1545791-0449	(Front frame K4, left, umber glaze)	01.11.2010 → 31.12.2014	1
3	1545791-0450	(Front frame K4, left, smokey grey)		1
3	1545791-0451	K-Serie G3 framedeel 75gr.std.links geel		1
3	1545791-3524	K-Serie G3 framedeel 75gr.std li royal re		1
3	1545791-5969	(Front frame K4, left, royal blue)		1
3	1545791-9005	K-Serie G3 framedeel 75gr.std.links zw.gl.		1
4	1545792-0121	K-Serie G3 framedeel 75gr.std re bg rusti	01.01.2012 → 31.12.2014	1
4	1545792-0122	(Front frame K4, right, golden beach)	01.01.2013 → 31.12.2014	1
4	1545792-0184	(Front frame K4, right, mercury blue)	01.01.2015 →	1
4	1545792-0185	(Front frame K4, right, dynamite orange)	01.01.2015 →	1
4	1545792-0186	(Front frame K4, right, atomic violet)	01.01.2015 →	1
4	1545792-0187	(Front frame K4, right, nitro pink)	01.01.2015 →	1
4	1545792-0410	(Front frame K4, right, polished)		1
4	1545792-0411	K-Series G3 framedeel 75gr.std re zw matt		1
4	1545792-0419	(Front frame K4, right, silver grey)		1
4	1545792-0442	K-Serie G3 framedeel 75gr.std re night sh.		1
4	1545792-0445	K-Serie G3 framedeel 75gr.std rechts iv.white		1
4	1545792-0446	(Front frame K4, right, purple fire)		1

(Frame Aluminium 75° standard =>31.01.2017)

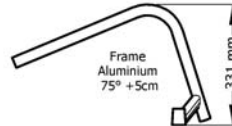
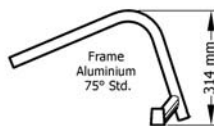
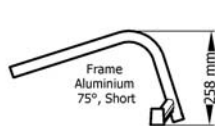
4	1545792-0447	(Front frame K4, right, emerald green)	01.11.2010 → 31.12.2012	1
4	1545792-0448	K-Serie G3 framedeel 75gr.std.rechts midn.bl	01.11.2010 → 31.12.2012	1
4	1545792-0449	(Front frame K4, right, umber glaze)	01.11.2010 → 31.12.2014	1
4	1545792-0450	K-Serie G3 framedeel 75gr.std.rechts sm.grey		1
4	1545792-0451	K-Serie G3 framedeel 75gr.std.rechts geel		1
4	1545792-3524	K-Serie G3 framedeel 75gr.std re royal re		1
4	1545792-5969	(Front frame K4, right, royal blue)		1
4	1545792-9005	K-Serie G3 framedeel 75gr.std.rechts zw.gl		1
5	1545795-0121	(Front frame K4 +5, left, black-grey rustico)	01.01.2012 → 31.12.2014	1
5	1545795-0122	(Front frame K4 +5, left, golden beach)	01.01.2013 → 31.12.2014	1
5	1545795-0184	(Front frame K4 +5, left, mercury blue)	01.01.2015 →	1
5	1545795-0185	(Front frame K4 +5, left, dynamite orange)	01.01.2015 →	1
5	1545795-0186	(Front frame K4 +5, left, atomic violet)	01.01.2015 →	1
5	1545795-0187	(Front frame K4 +5, left, nitro pink)	01.01.2015 →	1
5	1545795-0410	(Front frame K4 +5, left, polished)		1
5	1545795-0411	K-serie G3 framedeel 75gr.+5cm li mat zwart		1
5	1545795-0419	(Front frame K4 +5, left, silver grey)		1
5	1545795-0442	(Front frame K4 +5, left, night shimmer)		1
5	1545795-0445	(Front frame K4 +5, left, ivory white)		1
5	1545795-0446	K-Serie G3 framedeel 75gr.+5cm li purple fire		1
5	1545795-0447	(Front frame K4 +5, left, emerald green)	01.11.2010 → 31.12.2012	1
5	1545795-0448	(Front frame K4 +5, left, midnight blue)	01.11.2010 → 31.12.2012	1
5	1545795-0449	(Front frame K4 +5, left, umber glaze)	01.11.2010 → 31.12.2014	1
5	1545795-0450	(Front frame K4 +5, left, smokey grey)		1
5	1545795-0451	K-Serie G3 framedeel 75gr.+5cm li fel geel		1
5	1545795-3524	(Front frame K4 +5, left, royal red)		1
5	1545795-5969	(Front frame K4 +5, left, royal blue)		1
5	1545795-9005	(Front frame K4 +5, left, black, glossy)		1
6	1545796-0121	(Front frame K4 +5, right, black-grey rustico)	01.01.2012 → 31.12.2014	1
6	1545796-0122	(Front frame K4 +5, right, golden beach)	01.01.2013 → 31.12.2014	1
6	1545796-0184	(Front frame K4 +5, right, mercury blue)	01.01.2015 →	1
6	1545796-0185	(Front frame K4 +5, right, dynamite orange)	01.01.2015 →	1
6	1545796-0186	(Front frame K4 +5, right, atomic violet)	01.01.2015 →	1
6	1545796-0187	(Front frame K4 +5, right, nitro pink)	01.01.2015 →	1
6	1545796-0410	(Front frame K4 +5, right, polished)		1
6	1545796-0411	(Front frame K4 +5, right, black, matt)		1
6	1545796-0419	(Front frame K4 +5, right, silver grey)		1
6	1545796-0442	(Front frame K4 +5, right, night shimmer)		1
6	1545796-0445	(Front frame K4 +5, right, ivory white)		1
6	1545796-0446	K-Serie G3 framedeel 75gr.+5cm re purple fire		1
6	1545796-0447	(Front frame K4 +5, right, emerald green)	01.11.2010 → 31.12.2012	1
6	1545796-0448	(Front frame K4 +5, right, midnight blue)	01.11.2010 → 31.12.2012	1
6	1545796-0449	(Front frame K4 +5, right, umber glaze)	01.11.2010 → 31.12.2014	1
6	1545796-0450	(Front frame K4 +5, right, smokey grey)		1
6	1545796-0451	K-Serie G3 framedeel 75gr.+5cm re fel geel		1

(Frame Aluminium 75° standard =>31.01.2017)

6	1545796-3524	(Front frame K4 +5, right, royal red)		1
6	1545796-5969	(Front frame K4 +5, right, royal blue)		1
6	1545796-9005	K-Serie G3 framedeel 75gr.+5cm re zwart g		1
7	1487961-0004	Kusch balhoofd afdekdop zwart pp		1
7	1487961-0001	(Bearing block cap pair, chrome)		1
7	1487961-0182	(Bearing block cap pair, champagne)	01.01.2013 →	1
7	1487961-0183	(Bearing block cap pair, olive)	01.01.2013 →	1
7	1487961-0400	(Bearing block cap pair, techno-anthrazit)		1
7	1487961-0401	K-Junior balhoofd afdekdop limoen pp	01.11.2010 → 31.12.2012	1
7	1487961-0402	Kusch balhoofd afdekdop abrikoos pp	01.11.2010 → 31.12.2012	1
7	1487961-0404	Kusch balhoofd afdekdop b-blauw pp		1
7	1487961-0440	Kusch balhoofd afdekdop rood pp		1
7	1487961-0441	(Bearing block cap pair, arctic blue)		1
7	1487961-0444	(Bearing block cap, pair, copper glaze)		1
8	1451718	K-Serie 2005 voorw.vork lager set (set = 4 st.)		1
9	1529372	K-Serie 2005 framedelen beschermers pp		1

(Configuration table for frame Aluminium K4 75° standard)

i	Rear Wheel 24"			Rear Wheel 25"			Rear Wheel 26"		
	SHv	UL	UL	SHv	UL	UL	SHv	UL	UL
Frame Aluminium 75° Short (258 mm)	SHv 45	UL29 -> UL32	UL33 -> UL42	SHv 46	UL29 -> UL32	UL33 -> UL43	SHv 47	UL29 -> UL32	UL33 -> UL44
	SHv 46	UL29 -> UL33	UL34 -> UL43	SHv 47	UL29 -> UL33	UL34 -> UL44	SHv 48	UL29 -> UL33	UL34 -> UL45
	SHv 47	UL29 -> UL34	UL35 -> UL44	SHv 48	UL29 -> UL34	UL35 -> UL45	SHv 49	UL29 -> UL34	UL35 -> UL46
Frame Aluminium 75° Std. (314 mm)	SHv 48	UL29 -> UL36	UL37 -> UL45	SHv 49	UL29 -> UL36	UL37 -> UL46	SHv 50	UL29 -> UL36	UL37 -> UL47
	SHv 49	UL29 -> UL37	UL38 -> UL46	SHv 50	UL29 -> UL37	UL38 -> UL47	SHv 51	UL29 -> UL37	UL38 -> UL48
	SHv 50	UL29 -> UL38	UL39 -> UL47	SHv 51	UL29 -> UL38	UL39 -> UL48	SHv 52	UL29 -> UL38	UL39 -> UL49
Frame Aluminium 75° +5cm (331 mm)	SHv 50	UL29 -> UL38	UL39 -> UL47	SHv 51	UL29 -> UL38	UL39 -> UL48	SHv 52	UL29 -> UL38	UL39 -> UL49
	SHv 51	UL29 -> UL39	UL40 -> UL48	SHv 52	UL29 -> UL39	UL40 -> UL49	SHv 53	UL29 -> UL39	UL40 -> UL50
	SHv 52	UL29 -> UL40	UL41 -> UL49	SHv 53	UL29 -> UL40	UL41 -> UL50	SHv 54	UL29 -> UL40	UL41 -> UL51

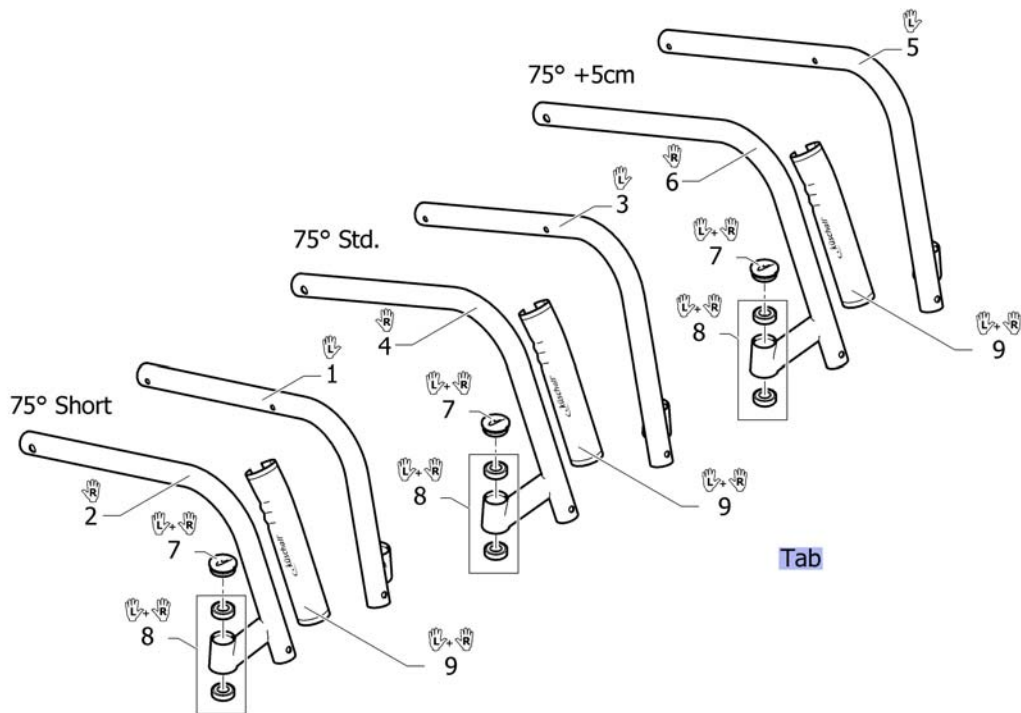


i -

(Type of frame in relation to footrest, knee to heel length (UL), front seat height (SHv) and rear wheel size)

1

(Frame Aluminium 75° standard 01.02.2017=>)



Tab	-	(Configuration table for frame Aluminium K4 75° standard)	1
1	SP1642314-0184	(Front frame 75° short, left, mercury blue)	1
1	SP1642314-0185	(Front frame 75° short, left, dynamite orange)	1
1	SP1642314-0186	(Front frame 75° short, left, atomic violet)	1
1	SP1642314-0187	(Front frame 75° short, left, nitro pink)	1
1	SP1642314-0410	(Front frame 75° short, left, polished)	1
1	SP1642314-0411	(Front frame 75° short, left, black matt)	1
1	SP1642314-0419	(Front frame 75° short, left, silver grey)	1
1	SP1642314-0442	(Front frame 75° short, left, night shimmer)	1
1	SP1642314-0445	(Front frame 75° short, left, ivory white)	1
1	SP1642314-0446	(Front frame 75° short, left, purple fire)	1
1	SP1642314-0450	(Front frame 75° short, left, smokey grey)	1
1	SP1642314-0451	(Front frame 75° short, left, flashy yellow)	1
1	SP1642314-0458	(Front frame 75° short, left, Red Mat)	1
1	SP1642314-0459	(Front frame 75° short, left, caramel bronze)	1
1	SP1642314-0460	(Front frame 75° short, left, neon green)	1
1	SP1642314-0461	(Front frame 75° short, left, neon yellow)	1
1	SP1642314-0462	(Front frame 75° short, left, neon pink)	1
1	SP1642314-0463	(Front frame 75° short, left, neon red)	1
1	SP1642314-3524	(Front frame 75° short, left, royal red)	1
1	SP1642314-5969	(Front frame 75° short, left, royal blue)	1
1	SP1642314-9005	(Front frame 75° short, left, glossy black)	1
2	SP1642315-0184	(Front frame 75° short, right, mercury blue)	1
2	SP1642315-0185	(Front frame 75° short, right, dynamite orange)	1
2	SP1642315-0186	(Front frame 75° short, right, atomic violet)	1
2	SP1642315-0187	(Front frame 75° short, right, nitro pink)	1
2	SP1642315-0410	(Front frame 75° short, right, polished)	1
2	SP1642315-0411	(Front frame 75° short, right, black matt)	1
2	SP1642315-0419	(Front frame 75° short, right, silver grey)	1
2	SP1642315-0442	(Front frame 75° short, right, night shimmer)	1
2	SP1642315-0445	(Front frame 75° short, right, ivory white)	1

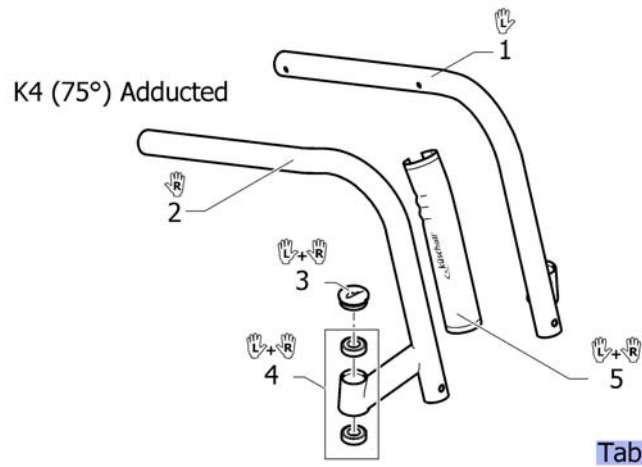
(Frame Aluminium 75° standard 01.02.2017=>)

2	SP1642315-0446	(Front frame 75° short, right, purple fire)	1
2	SP1642315-0450	(Front frame 75° short, right, smokey grey)	1
2	SP1642315-0451	(Front frame 75° short, right, flashy yellow)	1
2	SP1642315-0458	(Front frame 75° short, right, Red Mat)	1
2	SP1642315-0459	(Front frame 75° short, right, caramel bronze)	1
2	SP1642315-0460	(Front frame 75° short, right, neon green)	1
2	SP1642315-0461	(Front frame 75° short, right, neon yellow)	1
2	SP1642315-0462	(Front frame 75° short, right, neon pink)	1
2	SP1642315-0463	(Front frame 75° short, right, neon red)	1
2	SP1642315-3524	(Front frame 75° short, right, royal red)	1
2	SP1642315-5969	(Front frame 75° short, right, royal blue)	1
2	SP1642315-9005	(Front frame 75° short, right, glossy black)	1
3	SP1642316-0184	(Front frame 75° standard, left, mercury blue)	1
3	SP1642316-0185	(Front frame 75° standard, left, dynamite orange)	1
3	SP1642316-0186	(Front frame 75° standard, left, atomic violet)	1
3	SP1642316-0187	(Front frame 75° standard, left, nitro pink)	1
3	SP1642316-0410	(Front frame 75° standard, left, polished)	1
3	SP1642316-0411	(Front frame 75° standard, left, black matt)	1
3	SP1642316-0419	(Front frame 75° standard, left, silver grey)	1
3	SP1642316-0442	(Front frame 75° standard, left, night shimmer)	1
3	SP1642316-0445	(Front frame 75° standard, left, ivory white)	1
3	SP1642316-0446	(Front frame 75° standard, left, purple fire)	1
3	SP1642316-0450	(Front frame 75° standard, left, smokey grey)	1
3	SP1642316-0451	(Front frame 75° standard, left, flashy yellow)	1
3	SP1642316-0458	(Front frame 75° standard, left, Red Mat)	1
3	SP1642316-0459	(Front frame 75° standard, left, caramel bronze)	1
3	SP1642316-0460	(Front frame 75° standard, left, neon green)	1
3	SP1642316-0461	(Front frame 75° standard, left, neon yellow)	1
3	SP1642316-0462	(Front frame 75° standard, left, neon pink)	1
3	SP1642316-0463	(Front frame 75° standard, left, neon red)	1
3	SP1642316-3524	(Front frame 75° standard, left, royal red)	1
3	SP1642316-5969	(Front frame 75° standard, left, royal blue)	1
3	SP1642316-9005	(Front frame 75° standard, left, glossy black)	1
4	SP1642317-0184	(Front frame 75° standard, right, mercury blue)	1
4	SP1642317-0185	(Front frame 75° standard, right, dynamite orange)	1
4	SP1642317-0186	(Front frame 75° standard, right, atomic violet)	1
4	SP1642317-0187	(Front frame 75° standard, right, nitro pink)	1
4	SP1642317-0410	(Front frame 75° standard, right, polished)	1
4	SP1642317-0411	(Front frame 75° standard, right, black matt)	1
4	SP1642317-0419	(Front frame 75° standard, right, silver grey)	1
4	SP1642317-0442	(Front frame 75° standard, right, night shimmer)	1
4	SP1642317-0445	(Front frame 75° standard, right, ivory white)	1
4	SP1642317-0446	(Front frame 75° standard, right, purple fire)	1
4	SP1642317-0450	(Front frame 75° standard, right, smokey grey)	1
4	SP1642317-0451	(Front frame 75° standard, right, flashy yellow)	1
4	SP1642317-0458	(Front frame 75° standard, right, Red Mat)	1
4	SP1642317-0459	(Front frame 75° standard, right, caramel bronze)	1
4	SP1642317-0460	(Front frame 75° standard, right, neon green)	1
4	SP1642317-0461	(Front frame 75° standard, right, neon yellow)	1
4	SP1642317-0462	(Front frame 75° standard, right, neon pink)	1
4	SP1642317-0463	(Front frame 75° standard, right, neon red)	1
4	SP1642317-3524	(Front frame 75° standard, right, royal red)	1
4	SP1642317-5969	(Front frame 75° standard, right, royal blue)	1
4	SP1642317-9005	(Front frame 75° standard, right, glossy black)	1
5	SP1642318-0184	(Front frame 75° +5, left, mercury blue)	1

(Frame Aluminium 75° standard 01.02.2017=>)

5	SP1642318-0185	(Front frame 75° +5, left, dynamite orange)	1
5	SP1642318-0186	(Front frame 75° +5, left, atomic violet)	1
5	SP1642318-0187	(Front frame 75° +5, left, nitro pink)	1
5	SP1642318-0410	(Front frame 75° +5, left, polished)	1
5	SP1642318-0411	(Front frame 75° +5, left, black matt)	1
5	SP1642318-0419	(Front frame 75° +5, left, silver grey)	1
5	SP1642318-0442	(Front frame 75° +5, left, night shimmer)	1
5	SP1642318-0445	(Front frame 75° +5, left, ivory white)	1
5	SP1642318-0446	(Front frame 75° +5, left, purple fire)	1
5	SP1642318-0450	(Front frame 75° +5, left, smokey grey)	1
5	SP1642318-0451	(Front frame 75° +5, left, flashy yellow)	1
5	SP1642318-0458	(Front frame 75° +5, left, Red Mat)	1
5	SP1642318-0459	(Front frame 75° +5, left, caramel bronze)	1
5	SP1642318-0460	(Front frame 75° +5, left, neon green)	1
5	SP1642318-0461	(Front frame 75° +5, left, neon yellow)	1
5	SP1642318-0462	(Front frame 75° +5, left, neon pink)	1
5	SP1642318-0463	(Front frame 75° +5, left, neon red)	1
5	SP1642318-3524	(Front frame 75° +5, left, royal red)	1
5	SP1642318-5969	(Front frame 75° +5, left, royal blue)	1
5	SP1642318-9005	(Front frame 75° +5, left, glossy black)	1
6	SP1642319-0184	(Front frame 75° +5, right, mercury blue)	1
6	SP1642319-0185	(Front frame 75° +5, right, dynamite orange)	1
6	SP1642319-0186	(Front frame 75° +5, right, atomic violet)	1
6	SP1642319-0187	(Front frame 75° +5, right, nitro pink)	1
6	SP1642319-0410	(Front frame 75° +5, right, polished)	1
6	SP1642319-0411	(Front frame 75° +5, right, black matt)	1
6	SP1642319-0419	(Front frame 75° +5, right, silver grey)	1
6	SP1642319-0442	(Front frame 75° +5, right, night shimmer)	1
6	SP1642319-0445	(Front frame 75° +5, right, ivory white)	1
6	SP1642319-0446	(Front frame 75° +5, right, purple fire)	1
6	SP1642319-0450	(Front frame 75° +5, right, smokey grey)	1
6	SP1642319-0451	(Front frame 75° +5, right, flashy yellow)	1
6	SP1642319-0458	(Front frame 75° +5, right, Red Mat)	1
6	SP1642319-0459	(Front frame 75° +5, right, caramel bronze)	1
6	SP1642319-0460	(Front frame 75° +5, right, neon green)	1
6	SP1642319-0461	(Front frame 75° +5, right, neon yellow)	1
6	SP1642319-0462	(Front frame 75° +5, right, neon pink)	1
6	SP1642319-0463	(Front frame 75° +5, right, neon red)	1
6	SP1642319-3524	(Front frame 75° +5, right, royal red)	1
6	SP1642319-5969	(Front frame 75° +5, right, royal blue)	1
6	SP1642319-9005	(Front frame 75° +5, right, glossy black)	1
7	1487961-0004	Kusch balhoofd afdekdop zwart pp	1
7	1487961-0001	(Bearing block cap pair, chrome)	1
7	1487961-0182	(Bearing block cap pair, champagne)	1
7	1487961-0183	(Bearing block cap pair, olive)	1
7	1487961-0400	(Bearing block cap pair, techno-anthrazit)	1
7	1487961-0404	Kusch balhoofd afdekdop b-blauw pp	1
7	1487961-0440	Kusch balhoofd afdekdop rood pp	1
7	1487961-0441	(Bearing block cap pair, arctic blue)	1
7	1487961-0444	(Bearing block cap, pair, copper glaze)	1
8	1451718	K-Serie 2005 voorw.vork lager set (set = 4 st.)	1
9	1529372	K-Serie 2005 framedelen beschermers pp	1

(Frame Aluminium 75° adducted =>31.01.2017)



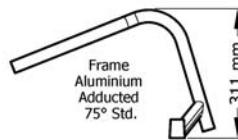
Tab	-	(Configuration table for frame Aluminium K4 75° adducted)		1
1	1545803-0121	(Front frame K4 adducted, left, black-grey rustico)	01.01.2012 → 31.12.2014	1
1	1545803-0122	(Front frame K4 adducted, left, golden beach)	01.01.2013 → 31.12.2014	1
1	1545803-0184	(Front frame K4 adducted, left, mercury blue)	01.01.2015 →	1
1	1545803-0185	(Front frame K4 adducted, left, dynamite orange)	01.01.2015 →	1
1	1545803-0186	(Front frame K4 adducted, left, atomic violet)	01.01.2015 →	1
1	1545803-0187	(Front frame K4 adducted, left, nitro pink)	01.01.2015 →	1
1	1545803-0410	(Front frame K4 adducted, left, polished)		1
1	1545803-0411	(Front frame K4 adducted, left, black, matt)		1
1	1545803-0419	(Front frame K4 adducted, left, silver grey)		1
1	1545803-0442	(Front frame K4 adducted, left, night shimmer)		1
1	1545803-0445	(Front frame K4 adducted, left, ivory white)		1
1	1545803-0446	(Front frame K4 adducted, left, purple fire)		1
1	1545803-0447	(Front frame K4 adducted, left, emerald green)	01.11.2010 → 31.12.2012	1
1	1545803-0448	K-Serie G3 framedeel adductie li midn.blue	01.11.2010 → 31.12.2012	1
1	1545803-0449	(Front frame K4 adducted, left, umber glaze)	01.11.2010 → 31.12.2014	1
1	1545803-0450	(Front frame K4 adducted, left, smokey grey)		1
1	1545803-0451	(Front frame K4 adducted, left, flashy yellow)		1
1	1545803-3524	(Front frame K4 adducted, left, royal red)		1
1	1545803-5969	(Front frame K4 adducted, left, royal blue)		1
1	1545803-9005	(Front frame K4 adducted, left, black, glossy)		1
2	1545804-0121	(Front frame K4 adducted, right, black-grey rustico)	01.01.2012 → 31.12.2014	1
2	1545804-0122	(Front frame K4 adducted, right, golden beach)	01.01.2013 → 31.12.2014	1
2	1545804-0184	(Front frame K4 adducted, right, mercury blue)	01.01.2015 →	1
2	1545804-0185	(Front frame K4 adducted, right, dynamite orange)	01.01.2015 →	1
2	1545804-0186	(Front frame K4 adducted, right, atomic violet)	01.01.2015 →	1

(Frame Aluminium 75° adducted =>31.01.2017)

2	1545804-0187	(Front frame K4 adducted, right, nitro pink)	01.01.2015 →	1
2	1545804-0410	(Front frame K4 adducted, right, polished)		1
2	1545804-0411	(Front frame K4 adducted, right, black, matt)		1
2	1545804-0419	(Front frame K4 adducted, right, silver grey)		1
2	1545804-0442	(Front frame K4 adducted, right, night shimmer)		1
2	1545804-0445	(Front frame K4 adducted, right, ivory white)		1
2	1545804-0446	(Front frame K4 adducted, right, purple fire)		1
2	1545804-0447	(Front frame K4 adducted, right, emerald green)	01.11.2010 → 31.12.2012	1
2	1545804-0448	K-Serie G3 framedeel adductie re midn.blue	01.11.2010 → 31.12.2012	1
2	1545804-0449	(Front frame K4 adducted, right, umber glaze)	01.11.2010 → 31.12.2014	1
2	1545804-0450	(Front frame K4 adducted, right, smokey grey)		1
2	1545804-0451	(Front frame K4 adducted, right, flashy yellow)		1
2	1545804-3524	(Front frame K4 adducted, right, royal red)		1
2	1545804-5969	(Front frame K4 adducted, right, royal blue)		1
2	1545804-9005	(Front frame K4 adducted, right, black, glossy)		1
3	1487961-0004	Kusch balhoofd afdekdop zwart pp		1
3	1487961-0001	(Bearing block cap pair, chrome)		1
3	1487961-0182	(Bearing block cap pair, champagne)	01.01.2013 →	1
3	1487961-0183	(Bearing block cap pair, olive)	01.01.2013 →	1
3	1487961-0400	(Bearing block cap pair, techno-anthrazit)		1
3	1487961-0401	K-Junior balhoofd afdekdop limoen pp	01.11.2010 → 31.12.2012	1
3	1487961-0402	Kusch balhoofd afdekdop abrikoos pp	01.11.2010 → 31.12.2012	1
3	1487961-0404	Kusch balhoofd afdekdop b-blauw pp		1
3	1487961-0440	Kusch balhoofd afdekdop rood pp		1
3	1487961-0441	(Bearing block cap pair, arctic blue)		1
3	1487961-0444	(Bearing block cap, pair, copper glaze)		1
4	1451718	K-Serie 2005 voorw.vork lager set (set = 4 st.)		1
5	1529372	K-Serie 2005 framedelen beschermers pp		1

(Configuration table for frame Aluminium K4 75° adducted)

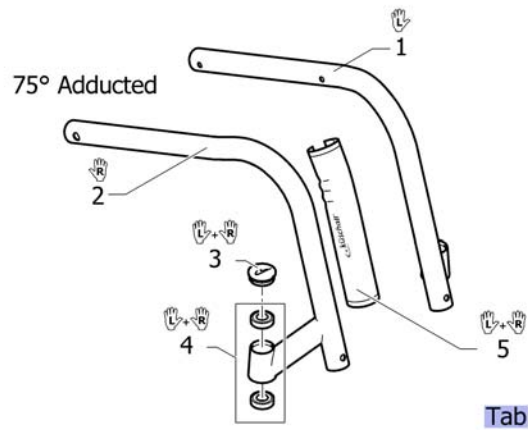
		Rear Wheel 24"		Rear Wheel 25"		Rear Wheel 26"			
 Frame Aluminium Adducted 75° (311 mm)	SHv 48	UL29 -> UL36	UL37 -> UL45	SHv 49	UL29 -> UL36	UL37 -> UL46	SHv 50	UL29 -> UL36	UL37 -> UL47
	SHv 49	UL29 -> UL37	UL38 -> UL46	SHv 50	UL29 -> UL37	UL38 -> UL47	SHv 51	UL29 -> UL37	UL38 -> UL48
	SHv 50	UL29 -> UL38	UL39 -> UL47	SHv 51	UL29 -> UL38	UL39 -> UL48	SHv 52	UL29 -> UL38	UL39 -> UL49



i - (Type of frame in relation to footrest, knee to heel length (UL), front seat height (SHv) and rear wheel size)

1

(Frame Aluminium 75° adducted 01.02.2017=>)



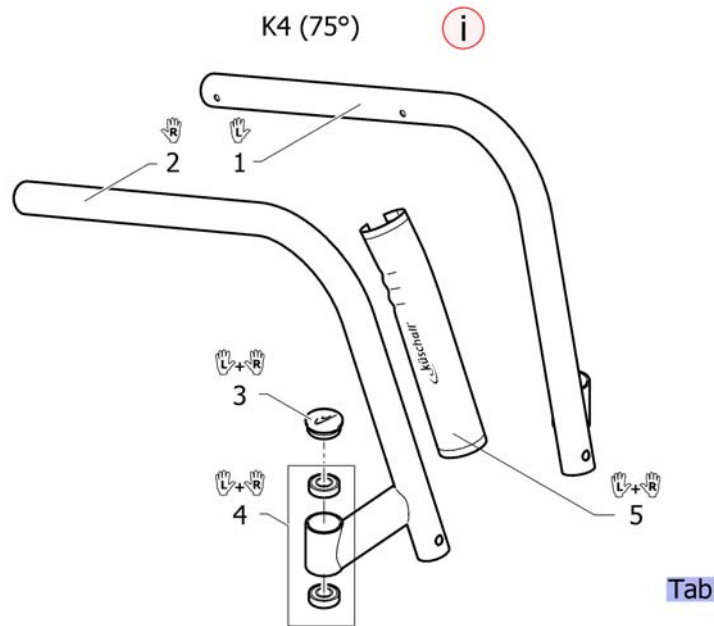
Tab

Tab	-	(Configuration table for frame Aluminium K4 75° adducted)	1
1	SP1642320-0184	(Front frame 75° adducted, left, mercury blue)	1
1	SP1642320-0185	(Front frame 75° adducted, left, dynamite orange)	1
1	SP1642320-0186	(Front frame 75° adducted, left, atomic violet)	1
1	SP1642320-0187	(Front frame 75° adducted, left, nitro pink)	1
1	SP1642320-0410	(Front frame 75° adducted, left, polished)	1
1	SP1642320-0411	(Front frame 75° adducted, left, black matt)	1
1	SP1642320-0419	(Front frame 75° adducted, left, silver grey)	1
1	SP1642320-0442	(Front frame 75° adducted, left, night shimmer)	1
1	SP1642320-0445	(Front frame 75° adducted, left, ivory white)	1
1	SP1642320-0446	(Front frame 75° adducted, left, purple fire)	1
1	SP1642320-0450	(Front frame 75° adducted, left, smokey grey)	1
1	SP1642320-0451	(Front frame 75° adducted, left, flashy yellow)	1
1	SP1642320-0458	(Front frame 75° adducted, left, Red Mat)	1
1	SP1642320-0459	(Front frame 75° adducted, left, caramel bronze)	1
1	SP1642320-0460	(Front frame 75° adducted, left, neon green)	1
1	SP1642320-0461	(Front frame 75° adducted, left, neon yellow)	1
1	SP1642320-0462	(Front frame 75° adducted, left, neon pink)	1
1	SP1642320-0463	(Front frame 75° adducted, left, neon red)	1
1	SP1642320-3524	(Front frame 75° adducted, left, royal red)	1
1	SP1642320-5969	(Front frame 75° adducted, left, royal blue)	1
1	SP1642320-9005	(Front frame 75° adducted, left, glossy black)	1
2	SP1642321-0184	(Front frame 75° adducted, right, mercury blue)	1
2	SP1642321-0185	(Front frame 75° adducted, right, dynamite orange)	1
2	SP1642321-0186	(Front frame 75° adducted, right, atomic violet)	1
2	SP1642321-0187	(Front frame 75° adducted, right, nitro pink)	1
2	SP1642321-0410	(Front frame 75° adducted, right, polished)	1
2	SP1642321-0411	(Front frame 75° adducted, right, black matt)	1
2	SP1642321-0419	(Front frame 75° adducted, right, silver grey)	1
2	SP1642321-0442	(Front frame 75° adducted, right, night shimmer)	1
2	SP1642321-0445	(Front frame 75° adducted, right, ivory white)	1

(Frame Aluminium 75° adducted 01.02.2017=>)

2	SP1642321-0446	(Front frame 75° adducted, right, purple fire)	1
2	SP1642321-0450	(Front frame 75° adducted, right, smokey grey)	1
2	SP1642321-0451	(Front frame 75° adducted, right, flashy yellow)	1
2	SP1642321-0458	(Front frame 75° adducted, right, Red Mat)	1
2	SP1642321-0459	(Front frame 75° adducted, right, caramel bronze)	1
2	SP1642321-0460	(Front frame 75° adducted, right, neon green)	1
2	SP1642321-0461	(Front frame 75° adducted, right, neon yellow)	1
2	SP1642321-0462	(Front frame 75° adducted, right, neon pink)	1
2	SP1642321-0463	(Front frame 75° adducted, right, neon red)	1
2	SP1642321-3524	(Front frame 75° adducted, right, royal red)	1
2	SP1642321-5969	(Front frame 75° adducted, right, royal blue)	1
2	SP1642321-9005	(Front frame 75° adducted, right, glossy black)	1
3	1487961-0004	Kusch balhoofd afdekdop zwart pp	1
3	1487961-0001	(Bearing block cap pair, chrome)	1
3	1487961-0182	(Bearing block cap pair, champagne)	1
3	1487961-0183	(Bearing block cap pair, olive)	1
3	1487961-0400	(Bearing block cap pair, techno-anthrazit)	1
3	1487961-0404	Kusch balhoofd afdekdop b-blauw pp	1
3	1487961-0440	Kusch balhoofd afdekdop rood pp	1
3	1487961-0441	(Bearing block cap pair, arctic blue)	1
3	1487961-0444	(Bearing block cap, pair, copper glaze)	1
4	1451718	K-Serie 2005 voorw.vork lager set (set = 4 st.)	1
5	1529372	K-Serie 2005 framedelen beschermers pp	1

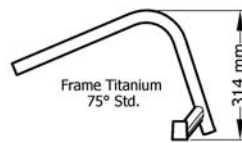
(Frame Titanium 75° standard =>31.01.2017)



i	-	(Special sleeves for footplates and sleeves for brakes clamping pieces are necessary (See pages footplates and brakes).)		0
Tab	-	(Configuration table for frame Titanium K4 75° standard)		1
1	1545799	(Front frame Titanium K4, 75°, left)		1
2	1545800	(Front frame Titanium K4, 75°, right)		1
3	1487961-0004	Kusch balhoofd afdekdop zwart pp		1
3	1487961-0001	(Bearing block cap pair, chrome)		1
3	1487961-0182	(Bearing block cap pair, champagne)	01.01.2013 →	1
3	1487961-0183	(Bearing block cap pair, olive)	01.01.2013 →	1
3	1487961-0400	(Bearing block cap pair, techno-anthrazit)		1
3	1487961-0401	K-Junior balhoofd afdekdop limoen pp	01.11.2010 → 31.12.2012	1
3	1487961-0402	Kusch balhoofd afdekdop abrikoos pp	01.11.2010 → 31.12.2012	1
3	1487961-0404	Kusch balhoofd afdekdop b-blauw pp		1
3	1487961-0440	Kusch balhoofd afdekdop rood pp		1
3	1487961-0441	(Bearing block cap pair, arctic blue)		1
3	1487961-0444	(Bearing block cap, pair, copper glaze)		1
4	1451718	K-Serie 2005 voorw.vork lager set (set = 4 st.)		1
5	1529372	K-Serie 2005 framedelen beschermers pp		1

(Configuration table for frame Titanium K4 75° standard)

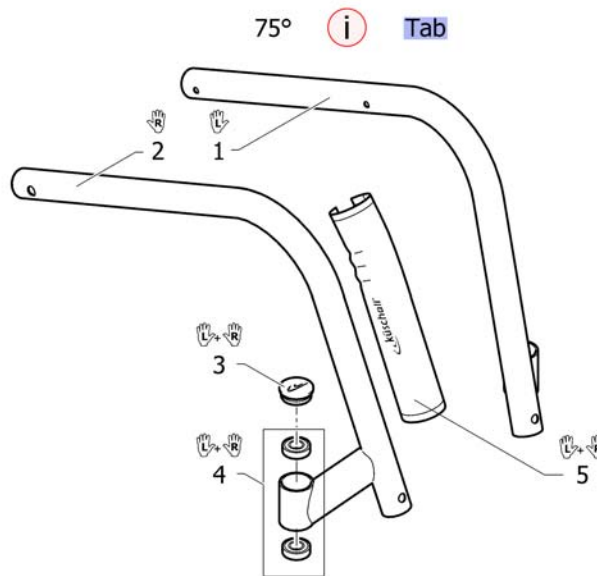
		Rear Wheel 24"		Rear Wheel 25"		Rear Wheel 26"			
Frame Titanium 75° Std. (314 mm)	SHv 48	UL29 -> UL36	UL37 -> UL45	SHv 49	UL29 -> UL36	UL37 -> UL46	SHv 50	UL29 -> UL36	UL37 -> UL47
	SHv 49	UL29 -> UL37	UL38 -> UL46	SHv 50	UL29 -> UL37	UL38 -> UL47	SHv 51	UL29 -> UL37	UL38 -> UL48
	SHv 50	UL29 -> UL38	UL39 -> UL47	SHv 51	UL29 -> UL38	UL39 -> UL48	SHv 52	UL29 -> UL38	UL39 -> UL49



i - (Type of frame in relation to footrest, knee to heel length (UL), front seat height (SHv) and rear wheel size)

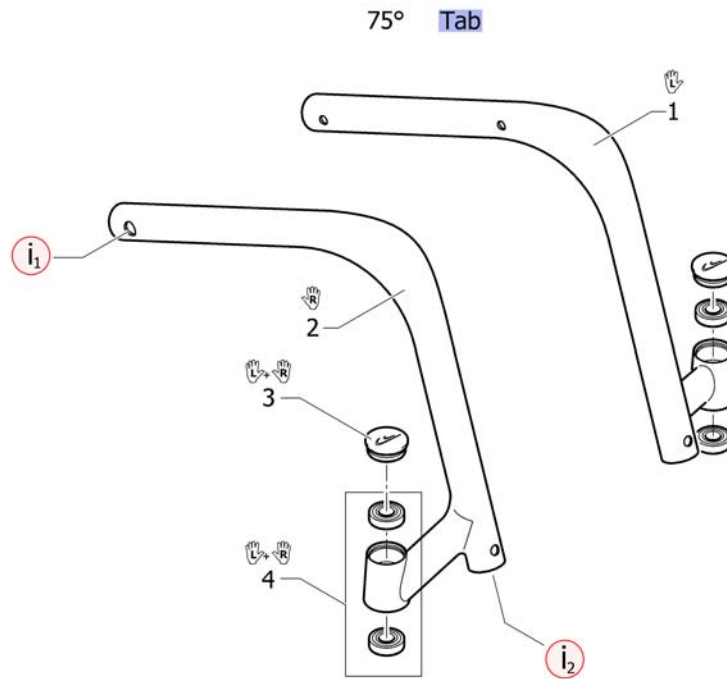
1

(Frame Titanium 75° standard 01.02.2017=>)




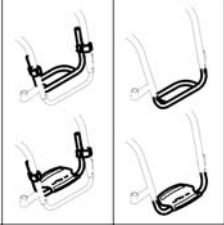



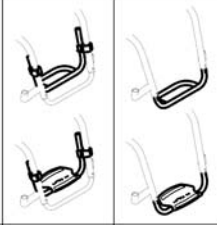

i	-	(Special sleeves for footplates and sleeves for brakes clamping pieces are necessary (See pages footplates and brakes).)	1
Tab	-	(Configuration table for frame Titanium K4 75° standard)	1
1	SP1642322	(Front frame Titanium 75°, left)	1
2	SP1642323	(Front frame Titanium 75°, right)	1
3	1487961-0004	Kusch balhoofd afdekdop zwart pp	1
3	1487961-0001	(Bearing block cap pair, chrome)	1
3	1487961-0182	(Bearing block cap pair, champagne)	1
3	1487961-0183	(Bearing block cap pair, olive)	1
3	1487961-0400	(Bearing block cap pair, techno-anthrazit)	1
3	1487961-0404	Kusch balhoofd afdekdop b-blauw pp	1
3	1487961-0440	Kusch balhoofd afdekdop rood pp	1
3	1487961-0441	(Bearing block cap pair, arctic blue)	1
3	1487961-0444	(Bearing block cap, pair, copper glaze)	1
4	1451718	K-Serie 2005 voorw.vork lager set (set = 4 st.)	1
5	1529372	K-Serie 2005 framedelen beschermers pp	1

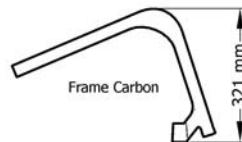
(Frame Carbon 75° standard 01.02.2017=>)



Tab	-	(Configuration table for frame Carbon K4 75° standard)		1
i1	-	(Carbon frames are backwards compatible for axle holder with thread (=>31.01.17). Fixation set included)		0
i2	-	(Special sleeves for footplates are necessary (See page footplate on frame Carbon))		1
1	1545807	(Front frame Carbon K4, left)		1
2	1545808	(Front frame Carbon K4, right)		1
3	1487961-0004	Kusch balhoofd afdekdop zwart pp		1
3	1487961-0001	(Bearing block cap pair, chrome)		1
3	1487961-0182	(Bearing block cap pair, champagne)	01.01.2013 →	1
3	1487961-0183	(Bearing block cap pair, olive)	01.01.2013 →	1
3	1487961-0400	(Bearing block cap pair, techno-anthrazit)		1
3	1487961-0401	K-Junior balhoofd afdekdop limoen pp	01.11.2010 → 31.12.2012	1
3	1487961-0402	Kusch balhoofd afdekdop abrikoos pp	01.11.2010 → 31.12.2012	1
3	1487961-0404	Kusch balhoofd afdekdop b-blauw pp		1
3	1487961-0440	Kusch balhoofd afdekdop rood pp		1
3	1487961-0441	(Bearing block cap pair, arctic blue)		1
3	1487961-0444	(Bearing block cap, pair, copper glaze)		1
4	1451718	K-Serie 2005 voorw.vork lager set (set = 4 st.)		1

(Configuration table for frame Carbon K4 75° standard)

	Rear Wheel 24"				Rear Wheel 25"			Rear Wheel 26"		
										
Frame Carbon (321 mm)	SHv 49	UL29 -> UL37	UL38 -> UL46	SHv 49	UL29 -> UL37	UL38 -> UL47	SHv 50	UL29 -> UL37	UL38 -> UL48	
	SHv 50	UL29 -> UL38	UL39 -> UL47	SHv 50	UL29 -> UL38	UL39 -> UL48	SHv 51	UL29 -> UL38	UL39 -> UL49	

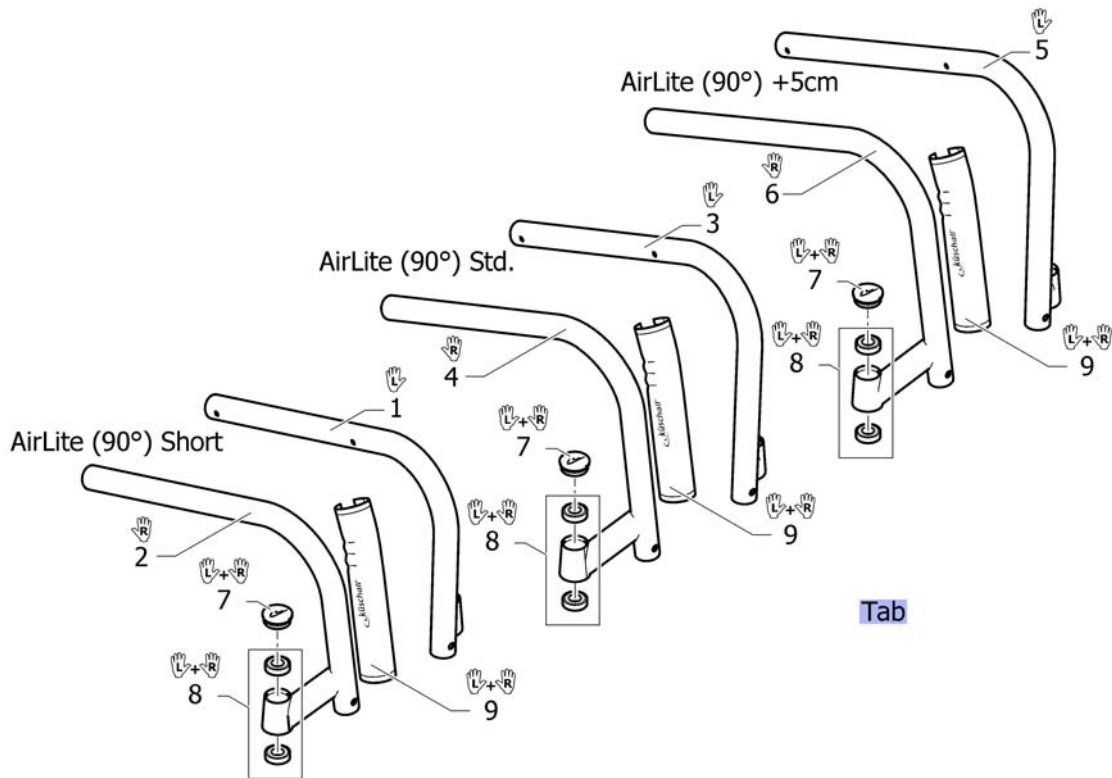


i -

(Type of frame in relation to footrest, knee to heel length (UL), front seat height (SHv) and rear wheel size)

1

(Frame Aluminium 90° standard =>31.01.2017)



Tab	-	(Configuration table for frame Aluminium AirLite 90° standard)		1
1	1545789-0121	(Front frame AirLite short, left, black-grey rustico)	01.01.2013 → 31.12.2014	1
1	1545789-0122	(Front frame AirLite short, left, golden beach)	01.01.2013 → 31.12.2014	1
1	1545789-0184	(Front frame AirLite short, left, mercury blue)	01.01.2015 →	1
1	1545789-0185	(Front frame AirLite short, left, dynamite orange)	01.01.2015 →	1
1	1545789-0186	(Front frame AirLite short, left, atomic violet)	01.01.2015 →	1
1	1545789-0187	(Front frame AirLite short, left, nitro pink)	01.01.2015 →	1
1	1545789-0410	(Front frame AirLite short, left, polished)		1
1	1545789-0411	(Front frame AirLite short, left, black, matt)		1
1	1545789-0419	(Front frame AirLite short, left, silver grey)		1
1	1545789-0442	(Front frame AirLite short, left, night shimmer)		1
1	1545789-0445	(Front frame AirLite short, left, ivory white)		1
1	1545789-0446	(Front frame AirLite short, left, purple fire)		1
1	1545789-0447	(Front frame AirLite short, left, emerald green)	01.11.2010 → 31.12.2012	1
1	1545789-0448	(Front frame AirLite short, left, midnight blue)	01.11.2010 → 31.12.2012	1
1	1545789-0449	(Front frame AirLite short, left, umber glaze)	01.11.2010 → 31.12.2014	1
1	1545789-0450	(Front frame AirLite short, left, smokey grey)		1
1	1545789-0451	(Front frame AirLite short, left, flashy yellow)		1
1	1545789-3524	(Front frame AirLite short, left, royal red)		1
1	1545789-5969	(Front frame AirLite short, left, royal blue)		1
1	1545789-9005	(Front frame AirLite short, left, black, glossy)		1
2	1545790-0121	(Front frame AirLite short, right, black-grey rustico)	01.01.2012 → 31.12.2014	1
2	1545790-0122	(Front frame AirLite short, right, golden beach)	01.01.2013 → 31.12.2014	1
2	1545790-0184	(Front frame AirLite short, right, mercury blue)	01.01.2015 →	1
2	1545790-0185	(Front frame AirLite short, right, dynamite orange)	01.01.2015 →	1
2	1545790-0186	(Front frame AirLite short, right, atomic violet)	01.01.2015 →	1

(Frame Aluminium 90° standard =>31.01.2017)

2	1545790-0187	(Front frame AirLite short, right, nitro pink)	01.01.2015 →	1
2	1545790-0410	(Front frame AirLite short, right, polished)		1
2	1545790-0411	(Front frame AirLite short, right, black, matt)		1
2	1545790-0419	(Front frame AirLite short, right, silver grey)		1
2	1545790-0442	(Front frame AirLite short, right, night shimmer)		1
2	1545790-0445	(Front frame AirLite short, right, ivory white)		1
2	1545790-0446	(Front frame AirLite short, right, purple fire)		1
2	1545790-0447	(Front frame AirLite short, right, emerald green)	01.11.2010 → 31.12.2012	1
2	1545790-0448	(Front frame AirLite short, right, midnight blue)	01.11.2010 → 31.12.2012	1
2	1545790-0449	(Front frame AirLite short, right, umber glaze)	01.11.2010 → 31.12.2014	1
2	1545790-0450	(Front frame AirLite short, right, smokey grey)		1
2	1545790-0451	(Front frame AirLite short, right, flashy yellow)		1
2	1545790-3524	(Front frame AirLite short, right, royal red)		1
2	1545790-5969	(Front frame AirLite short, right, royal blue)		1
2	1545790-9005	(Front frame AirLite short, right, black, glossy)		1
3	1545793-0121	(Front frame AirLite, left, black-grey rustico)	01.01.2012 → 31.12.2014	1
3	1545793-0122	(Front frame AirLite, left, golden beach)	01.01.2013 → 31.12.2014	1
3	1545793-0184	(Front frame AirLite, left, mercury blue)	01.01.2015 →	1
3	1545793-0185	(Front frame AirLite, left, dynamite orange)	01.01.2015 →	1
3	1545793-0186	(Front frame AirLite, left, atomic violet)	01.01.2015 →	1
3	1545793-0187	(Front frame AirLite, left, nitro pink)	01.01.2015 →	1
3	1545793-0410	K-Serie G3 framedeel 90gr.std.links polish		1
3	1545793-0411	(Front frame AirLite, left, black, matt)		1
3	1545793-0419	(Front frame AirLite, left, silver grey)		1
3	1545793-0442	(Front frame AirLite, left, night shimmer)		1
3	1545793-0445	K-Serie G3 framedeel 90gr.std.links iv.white		1
3	1545793-0446	(Front frame AirLite, left, purple fire)		1
3	1545793-0447	(Front frame AirLite, left, emerald green)	01.11.2010 → 31.12.2012	1
3	1545793-0448	(Front frame AirLite, left, midnight blue)	01.11.2010 → 31.12.2012	1
3	1545793-0449	(Front frame AirLite, left, umber glaze)	01.11.2010 → 31.12.2014	1
3	1545793-0450	(Front frame AirLite, left, smokey grey)		1
3	1545793-0451	(Front frame AirLite, left, flashy yellow)		1
3	1545793-3524	(Front frame AirLite, left, royal red)		1
3	1545793-5969	K-Serie G3 framedl.Airl. 90gr.std.li royal blue		1
3	1545793-9005	K-Serie G3 framedeel 90gr.std.re zwart gl.		1
4	1545794-0121	(Front frame AirLite, right, black-grey rustico)	01.01.2012 → 31.12.2014	1
4	1545794-0122	(Front frame AirLite, right, golden beach)	01.01.2013 → 31.12.2014	1
4	1545794-0184	(Front frame AirLite, right, mercury blue)	01.01.2015 →	1
4	1545794-0185	(Front frame AirLite, right, dynamite orange)	01.01.2015 →	1
4	1545794-0186	(Front frame AirLite, right, atomic violet)	01.01.2015 →	1
4	1545794-0187	(Front frame AirLite, right, nitro pink)	01.01.2015 →	1
4	1545794-0410	K-Serie G3 framedeel 90gr.std.rechts polish		1
4	1545794-0411	(Front frame AirLite, right, black, matt)		1
4	1545794-0419	(Front frame AirLite, right, silver grey)		1
4	1545794-0442	(Front frame AirLite, right, night shimmer)		1
4	1545794-0445	K-Serie G3 framedeel 90gr.std rechts iv.white		1
4	1545794-0446	(Front frame AirLite, right, purple fire)		1

(Frame Aluminium 90° standard =>31.01.2017)

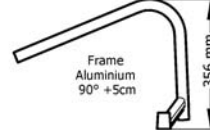
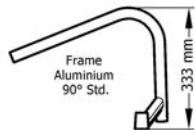
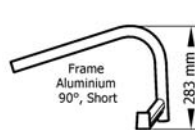
4	1545794-0447	(Front frame AirLite, right, emerald green)	01.11.2010 → 31.12.2012	1
4	1545794-0448	(Front frame AirLite, right, midnight blue)	01.11.2010 → 31.12.2012	1
4	1545794-0449	(Front frame AirLite, right, umber glaze)	01.11.2010 → 31.12.2014	1
4	1545794-0450	(Front frame AirLite, right, smokey grey)		1
4	1545794-0451	(Front frame AirLite, right, flashy yellow)		1
4	1545794-3524	(Front frame AirLite, right, royal red)		1
4	1545794-5969	K-Serie G3 framedl.Airl. 90gr.std.re royal blue		1
4	1545794-9005	K-Serie G3 framedeel 90gr.std.li zwart gl.		1
5	1545797-0121	(Front frame AirLite +5, left, black-grey rustico)	01.01.2012 → 31.12.2014	1
5	1545797-0122	(Front frame AirLite +5, left, golden beach)	01.01.2013 → 31.12.2014	1
5	1545797-0184	(Front frame AirLite +5, left, mercury blue)	01.01.2015 →	1
5	1545797-0185	(Front frame AirLite +5, left, dynamite orange)	01.01.2015 →	1
5	1545797-0186	(Front frame AirLite +5, left, atomic violet)	01.01.2015 →	1
5	1545797-0187	(Front frame AirLite +5, left, nitro pink)	01.01.2015 →	1
5	1545797-0410	(Front frame AirLite +5, left, polished)		1
5	1545797-0411	K-Serie G3 framedeel 90gr.+5cm li mat zwart		1
5	1545797-0419	(Front frame AirLite +5, left, silver grey)		1
5	1545797-0442	K-Series G3 framedeel 90gr+5cm li night shim		1
5	1545797-0445	(Front frame AirLite +5, left, ivory white)		1
5	1545797-0446	(Front frame AirLite +5, left, purple fire)		1
5	1545797-0447	(Front frame AirLite +5, left, emerald green)	01.11.2010 → 31.12.2012	1
5	1545797-0448	(Front frame AirLite +5, left, midnight blue)	01.11.2010 → 31.12.2012	1
5	1545797-0449	(Front frame AirLite +5, left, umber glaze)	01.11.2010 → 31.12.2014	1
5	1545797-0450	(Front frame AirLite +5, left, smokey grey)		1
5	1545797-0451	(Front frame AirLite +5, left, flashy yellow)		1
5	1545797-3524	(Front frame AirLite +5, left, royal red)		1
5	1545797-5969	(Front frame AirLite +5, left, royal blue)		1
5	1545797-9005	K-Serie G3 framedeel 90gr.+5cm li zwart gl.		1
6	1545798-0121	(Front frame AirLite +5, right, black-grey rustico)	01.01.2012 → 31.12.2014	1
6	1545798-0122	(Front frame AirLite +5, right, golden beach)	01.01.2013 → 31.12.2014	1
6	1545798-0184	(Front frame AirLite +5, right, mercury blue)	01.01.2015 →	1
6	1545798-0185	(Front frame AirLite +5, right, dynamite orange)	01.01.2015 →	1
6	1545798-0186	(Front frame AirLite +5, right, atomic violet)	01.01.2015 →	1
6	1545798-0187	(Front frame AirLite +5, right, nitro pink)	01.01.2015 →	1
6	1545798-0410	(Front frame AirLite +5, right, polished)		1
6	1545798-0411	K-Serie G3 framedeel 90gr.+5cm re mat zwart		1
6	1545798-0419	(Front frame AirLite +5, right, silver grey)		1
6	1545798-0442	K-Series G3 framedeel 90gr+5cm re night shim		1
6	1545798-0445	(Front frame AirLite +5, right, ivory white)		1
6	1545798-0446	(Front frame AirLite +5, right, purple fire)		1
6	1545798-0447	(Front frame AirLite +5, right, emerald green)	01.11.2010 → 31.12.2012	1
6	1545798-0448	(Front frame AirLite +5, right, midnight blue)	01.11.2010 → 31.12.2012	1
6	1545798-0449	(Front frame AirLite +5, right, umber glaze)	01.11.2010 → 31.12.2014	1
6	1545798-0450	(Front frame AirLite +5, right, smokey grey)		1
6	1545798-0451	(Front frame AirLite +5, right, flashy yellow)		1

(Frame Aluminium 90° standard =>31.01.2017)

6	1545798-3524	(Front frame AirLite +5, right, royal red)		1
6	1545798-5969	(Front frame AirLite +5, right, royal blue)		1
6	1545798-9005	K-Serie G3 framedeel 90gr.+5cm re zwart gl.		1
7	1487961-0004	Kusch balhoofd afdekdop zwart pp		1
7	1487961-0001	(Bearing block cap pair, chrome)		1
7	1487961-0182	(Bearing block cap pair, champagne)	01.01.2013 →	1
7	1487961-0183	(Bearing block cap pair, olive)	01.01.2013 →	1
7	1487961-0400	(Bearing block cap pair, techno-anthrazit)		1
7	1487961-0401	K-Junior balhoofd afdekdop limoen pp	01.11.2010 → 31.12.2012	1
7	1487961-0402	Kusch balhoofd afdekdop abrikoos pp	01.11.2010 → 31.12.2012	1
7	1487961-0404	Kusch balhoofd afdekdop b-blauw pp		1
7	1487961-0440	Kusch balhoofd afdekdop rood pp		1
7	1487961-0441	(Bearing block cap pair, arctic blue)		1
7	1487961-0444	(Bearing block cap, pair, copper glaze)		1
8	1451718	K-Serie 2005 voorw.vork lager set (set = 4 st.)		1
9	1529372	K-Serie 2005 framedelen beschermers pp		1

(Configuration table for frame Aluminium AirLite 90° standard)

i	Rear Wheel 24"			Rear Wheel 25"			Rear Wheel 26"		
	SHv	UL	UL	SHv	UL	UL	SHv	UL	UL
Frame Aluminium 90° Short (283 mm)	SHv 45	UL29 -> UL32	UL33 -> UL41	SHv 46	UL29 -> UL32	UL33 -> UL42	SHv 47	UL29 -> UL32	UL33 -> UL43
	SHv 46	UL29 -> UL33	UL34 -> UL42	SHv 47	UL29 -> UL33	UL34 -> UL43	SHv 48	UL29 -> UL33	UL34 -> UL44
	SHv 47	UL29 -> UL34	UL35 -> UL43	SHv 48	UL29 -> UL34	UL35 -> UL44	SHv 49	UL29 -> UL34	UL35 -> UL45
Frame Aluminium 90° Std. (333 mm)	SHv 48	UL29 -> UL36	UL37 -> UL44	SHv 49	UL29 -> UL36	UL37 -> UL45	SHv 50	UL29 -> UL36	UL37 -> UL46
	SHv 49	UL29 -> UL37	UL38 -> UL45	SHv 50	UL29 -> UL37	UL38 -> UL46	SHv 51	UL29 -> UL37	UL38 -> UL47
	SHv 50	UL29 -> UL38	UL39 -> UL46	SHv 51	UL29 -> UL38	UL39 -> UL47	SHv 52	UL29 -> UL38	UL39 -> UL48
Frame Aluminium 90° +5cm (356 mm)	SHv 50	UL29 -> UL39	UL40 -> UL46	SHv 51	UL29 -> UL38	UL40 -> UL47	SHv 52	UL29 -> UL38	UL40 -> UL48
	SHv 51	UL29 -> UL40	UL41 -> UL47	SHv 52	UL29 -> UL39	UL41 -> UL48	SHv 53	UL29 -> UL39	UL41 -> UL49
	SHv 52	UL29 -> UL41	UL42 -> UL48	SHv 53	UL29 -> UL40	UL42 -> UL49	SHv 54	UL29 -> UL40	UL42 -> UL50

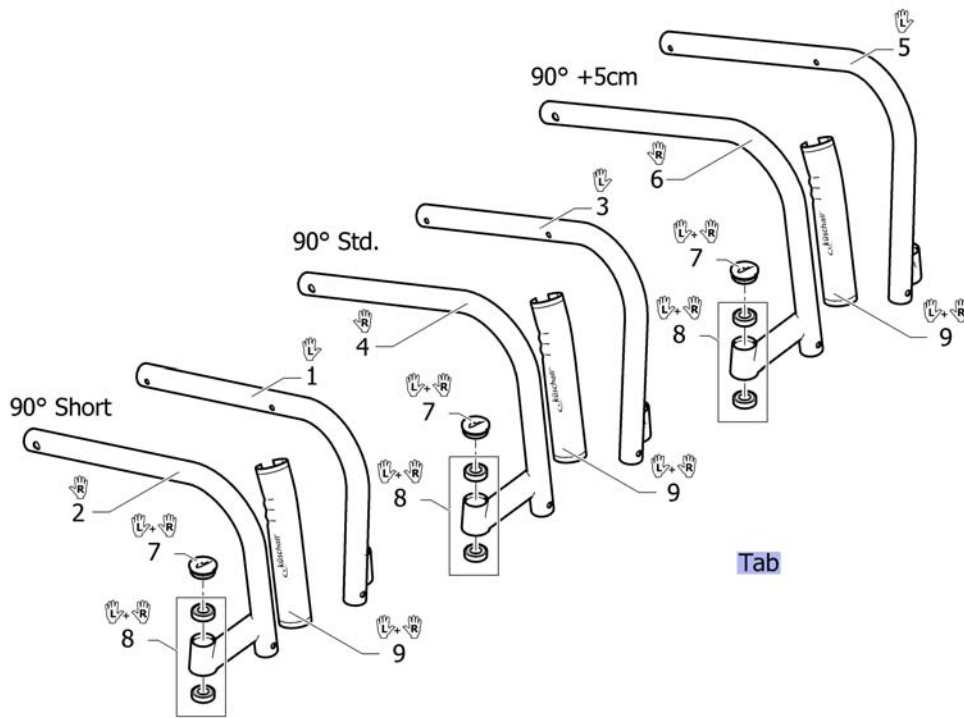


i -

(Type of frame in relation to footrest, knee to heel length (UL), front seat height (SHv) and rear wheel size)

1

(Frame Aluminium 90° standard 01.02.2017=>)



Tab	-	(Configuration table for frame Aluminium AirLite 90° standard)	1
1	SP1642324-0184	(Front frame 90° short, left, mercury blue)	1
1	SP1642324-0185	(Front frame 90° short, left, dynamite orange)	1
1	SP1642324-0186	(Front frame 90° short, left, atomic violet)	1
1	SP1642324-0187	(Front frame 90° short, left, nitro pink)	1
1	SP1642324-0410	(Front frame 90° short, left, polished)	1
1	SP1642324-0411	(Front frame 90° short, left, black matt)	1
1	SP1642324-0419	(Front frame 90° short, left, silver grey)	1
1	SP1642324-0442	(Front frame 90° short, left, night shimmer)	1
1	SP1642324-0445	(Front frame 90° short, left, ivory white)	1
1	SP1642324-0446	(Front frame 90° short, left, purple fire)	1
1	SP1642324-0450	(Front frame 90° short, left, smokey grey)	1
1	SP1642324-0451	(Front frame 90° short, left, flashy yellow)	1
1	SP1642324-0458	(Front frame 90° short, left, Red Mat)	1
1	SP1642324-0459	(Front frame 90° short, left, caramel bronze)	1
1	SP1642324-0460	(Front frame 90° short, left, neon green)	1
1	SP1642324-0461	(Front frame 90° short, left, neon yellow)	1
1	SP1642324-0462	(Front frame 90° short, left, neon pink)	1
1	SP1642324-0463	(Front frame 90° short, left, neon red)	1
1	SP1642324-3524	(Front frame 90° short, left, royal red)	1
1	SP1642324-5969	(Front frame 90° short, left, royal blue)	1
1	SP1642324-9005	(Front frame 90° short, left, glossy black)	1
2	SP1642325-0184	(Front frame 90° short, right, mercury blue)	1
2	SP1642325-0185	(Front frame 90° short, right, dynamite orange)	1
2	SP1642325-0186	(Front frame 90° short, right, atomic violet)	1
2	SP1642325-0187	(Front frame 90° short, right, nitro pink)	1
2	SP1642325-0410	(Front frame 90° short, right, polished)	1
2	SP1642325-0411	(Front frame 90° short, right, black matt)	1
2	SP1642325-0419	(Front frame 90° short, right, silver grey)	1
2	SP1642325-0442	(Front frame 90° short, right, night shimmer)	1
2	SP1642325-0445	(Front frame 90° short, right, ivory white)	1

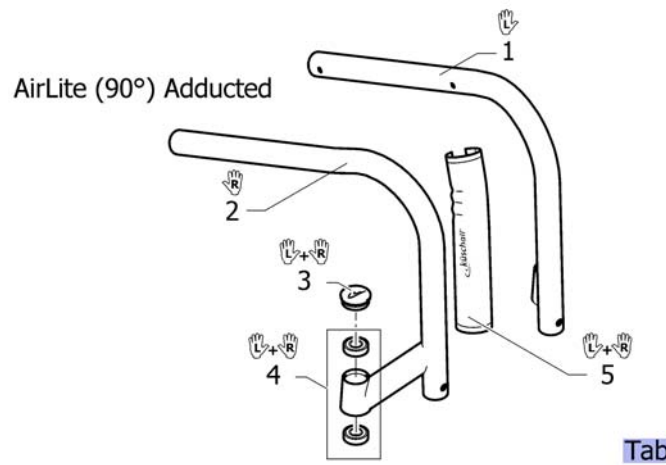
(Frame Aluminium 90° standard 01.02.2017=>)

2	SP1642325-0446	(Front frame 90° short, right, purple fire)	1
2	SP1642325-0450	(Front frame 90° short, right, smokey grey)	1
2	SP1642325-0451	(Front frame 90° short, right, flashy yellow)	1
2	SP1642325-0458	(Front frame 90° short, right, Red Mat)	1
2	SP1642325-0459	(Front frame 90° short, right, caramel bronze)	1
2	SP1642325-0460	(Front frame 90° short, right, neon green)	1
2	SP1642325-0461	(Front frame 90° short, right, neon yellow)	1
2	SP1642325-0462	(Front frame 90° short, right, neon pink)	1
2	SP1642325-0463	(Front frame 90° short, right, neon red)	1
2	SP1642325-3524	(Front frame 90° short, right, royal red)	1
2	SP1642325-5969	(Front frame 90° short, right, royal blue)	1
2	SP1642325-9005	(Front frame 90° short, right, glossy black)	1
3	SP1642326-0184	(Front frame 90° standard, left, mercury blue)	1
3	SP1642326-0185	(Front frame 90° standard, left, dynamite orange)	1
3	SP1642326-0186	(Front frame 90° standard, left, atomic violet)	1
3	SP1642326-0187	(Front frame 90° standard, left, nitro pink)	1
3	SP1642326-0410	(Front frame 90° standard, left, polished)	1
3	SP1642326-0411	(Front frame 90° standard, left, black matt)	1
3	SP1642326-0419	(Front frame 90° standard, left, silver grey)	1
3	SP1642326-0442	(Front frame 90° standard, left, night shimmer)	1
3	SP1642326-0445	(Front frame 90° standard, left, ivory white)	1
3	SP1642326-0446	(Front frame 90° standard, left, purple fire)	1
3	SP1642326-0450	(Front frame 90° standard, left, smokey grey)	1
3	SP1642326-0451	(Front frame 90° standard, left, flashy yellow)	1
3	SP1642326-0458	(Front frame 90° standard, left, Red Mat)	1
3	SP1642326-0459	(Front frame 90° standard, left, caramel bronze)	1
3	SP1642326-0460	(Front frame 90° standard, left, neon green)	1
3	SP1642326-0461	(Front frame 90° standard, left, neon yellow)	1
3	SP1642326-0462	(Front frame 90° standard, left, neon pink)	1
3	SP1642326-0463	(Front frame 90° standard, left, neon red)	1
3	SP1642326-3524	(Front frame 90° standard, left, royal red)	1
3	SP1642326-5969	(Front frame 90° standard, left, royal blue)	1
3	SP1642326-9005	(Front frame 90° standard, left, glossy black)	1
4	SP1642327-0184	(Front frame 90° standard, right, mercury blue)	1
4	SP1642327-0185	(Front frame 90° standard, right, dynamite orange)	1
4	SP1642327-0186	(Front frame 90° standard, right, atomic violet)	1
4	SP1642327-0187	(Front frame 90° standard, right, nitro pink)	1
4	SP1642327-0410	(Front frame 90° standard, right, polished)	1
4	SP1642327-0411	(Front frame 90° standard, right, black matt)	1
4	SP1642327-0419	(Front frame 90° standard, right, silver grey)	1
4	SP1642327-0442	(Front frame 90° standard, right, night shimmer)	1
4	SP1642327-0445	(Front frame 90° standard, right, ivory white)	1
4	SP1642327-0446	(Front frame 90° standard, right, purple fire)	1
4	SP1642327-0450	(Front frame 90° standard, right, smokey grey)	1
4	SP1642327-0451	(Front frame 90° standard, right, flashy yellow)	1
4	SP1642327-0458	(Front frame 90° standard, right, Red Mat)	1
4	SP1642327-0459	(Front frame 90° standard, right, caramel bronze)	1
4	SP1642327-0460	(Front frame 90° standard, right, neon green)	1
4	SP1642327-0461	(Front frame 90° standard, right, neon yellow)	1
4	SP1642327-0462	(Front frame 90° standard, right, neon pink)	1
4	SP1642327-0463	(Front frame 90° standard, right, neon red)	1
4	SP1642327-3524	(Front frame 90° standard, right, royal red)	1
4	SP1642327-5969	(Front frame 90° standard, right, royal blue)	1
4	SP1642327-9005	(Front frame 90° standard, right, glossy black)	1
5	SP1642328-0184	(Front frame 90° +5, left, mercury blue)	1

(Frame Aluminium 90° standard 01.02.2017=>)

5	SP1642328-0185	(Front frame 90° +5, left, dynamite orange)	1
5	SP1642328-0186	(Front frame 90° +5, left, atomic violet)	1
5	SP1642328-0187	(Front frame 90° +5, left, nitro pink)	1
5	SP1642328-0410	(Front frame 90° +5, left, polished)	1
5	SP1642328-0411	(Front frame 90° +5, left, black matt)	1
5	SP1642328-0419	(Front frame 90° +5, left, silver grey)	1
5	SP1642328-0442	(Front frame 90° +5, left, night shimmer)	1
5	SP1642328-0445	(Front frame 90° +5, left, ivory white)	1
5	SP1642328-0446	(Front frame 90° +5, left, purple fire)	1
5	SP1642328-0450	(Front frame 90° +5, left, smokey grey)	1
5	SP1642328-0451	(Front frame 90° +5, left, flashy yellow)	1
5	SP1642328-0458	(Front frame 90° +5, left, Red Mat)	1
5	SP1642328-0459	(Front frame 90° +5, left, caramel bronze)	1
5	SP1642328-0460	(Front frame 90° +5, left, neon green)	1
5	SP1642328-0461	(Front frame 90° +5, left, neon yellow)	1
5	SP1642328-0462	(Front frame 90° +5, left, neon pink)	1
5	SP1642328-0463	(Front frame 90° +5, left, neon red)	1
5	SP1642328-3524	(Front frame 90° +5, left, royal red)	1
5	SP1642328-5969	(Front frame 90° +5, left, royal blue)	1
5	SP1642328-9005	(Front frame 90° +5, left, glossy black)	1
6	SP1642329-0184	(Front frame 90° +5, right, mercury blue)	1
6	SP1642329-0185	(Front frame 90° +5, right, dynamite orange)	1
6	SP1642329-0186	(Front frame 90° +5, right, atomic violet)	1
6	SP1642329-0187	(Front frame 90° +5, right, nitro pink)	1
6	SP1642329-0410	(Front frame 90° +5, right, polished)	1
6	SP1642329-0411	(Front frame 90° +5, right, black matt)	1
6	SP1642329-0419	(Front frame 90° +5, right, silver grey)	1
6	SP1642329-0442	(Front frame 90° +5, right, night shimmer)	1
6	SP1642329-0445	(Front frame 90° +5, right, ivory white)	1
6	SP1642329-0446	(Front frame 90° +5, right, purple fire)	1
6	SP1642329-0450	(Front frame 90° +5, right, smokey grey)	1
6	SP1642329-0451	(Front frame 90° +5, right, flashy yellow)	1
6	SP1642329-0458	(Front frame 90° +5, right, Red Mat)	1
6	SP1642329-0459	(Front frame 90° +5, right, caramel bronze)	1
6	SP1642329-0460	(Front frame 90° +5, right, neon green)	1
6	SP1642329-0461	(Front frame 90° +5, right, neon yellow)	1
6	SP1642329-0462	(Front frame 90° +5, right, neon pink)	1
6	SP1642329-0463	(Front frame 90° +5, right, neon red)	1
6	SP1642329-3524	(Front frame 90° +5, right, royal red)	1
6	SP1642329-5969	(Front frame 90° +5, right, royal blue)	1
6	SP1642329-9005	(Front frame 90° +5, right, glossy black)	1
7	1487961-0004	Kusch balhoofd afdekdop zwart pp	1
7	1487961-0001	(Bearing block cap pair, chrome)	1
7	1487961-0182	(Bearing block cap pair, champagne)	1
7	1487961-0183	(Bearing block cap pair, olive)	1
7	1487961-0400	(Bearing block cap pair, techno-anthrazit)	1
7	1487961-0404	Kusch balhoofd afdekdop b-blauw pp	1
7	1487961-0440	Kusch balhoofd afdekdop rood pp	1
7	1487961-0441	(Bearing block cap pair, arctic blue)	1
7	1487961-0444	(Bearing block cap, pair, copper glaze)	1
8	1451718	K-Serie 2005 voorw.vork lager set (set = 4 st.)	1
9	1529372	K-Serie 2005 framedelen beschermers pp	1

(Frame Aluminium 90° adducted =>31.01.2017)



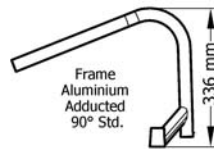
Tab		(Configuration table for frame Aluminium AirLite 90° adducted)		
1	1545805-0121	(Front frame AirLite adducted, left, black-grey rustico)	01.01.2013 → 31.12.2014	1
1	1545805-0122	(Front frame AirLite adducted, left, golden beach)	01.01.2013 → 31.12.2014	1
1	1545805-0184	(Front frame AirLite adducted, left, mercury blue)	01.01.2015 →	1
1	1545805-0185	(Front frame AirLite adducted, left, dynamite orange)	01.01.2015 →	1
1	1545805-0186	(Front frame AirLite adducted, left, atomic violet)	01.01.2015 →	1
1	1545805-0187	(Front frame AirLite adducted, left, nitro pink)	01.01.2015 →	1
1	1545805-0410	(Front frame AirLite adducted, left, polished)		1
1	1545805-0411	(Front frame AirLite adducted, left, black, matt)		1
1	1545805-0419	(Front frame AirLite adducted, left, silver grey)		1
1	1545805-0442	(Front frame AirLite adducted, left, night shimmer)		1
1	1545805-0445	(Front frame AirLite adducted, left, ivory white)		1
1	1545805-0446	(Front frame AirLite adducted, left, purple fire)		1
1	1545805-0447	(Front frame AirLite adducted, left, emerald green)	01.11.2010 → 31.12.2012	1
1	1545805-0448	(Front frame AirLite adducted, left, midnight blue)	01.11.2010 → 31.12.2012	1
1	1545805-0449	(Front frame AirLite adducted, left, umber glaze)	01.11.2010 → 31.12.2014	1
1	1545805-0450	(Front frame AirLite adducted, left, smokey grey)		1
1	1545805-0451	(Front frame AirLite adducted, left, flashy yellow)		1
1	1545805-3524	(Front frame AirLite adducted, left, royal red)		1
1	1545805-5969	(Front frame AirLite adducted, left, royal blue)		1
1	1545805-9005	(Front frame AirLite adducted, left, black, glossy)		1
2	1545806-0121	(Front frame AirLite adducted, right, black-grey rustico)	01.01.2012 → 31.12.2014	1
2	1545806-0122	(Front frame AirLite adducted, right, golden beach)	01.01.2013 → 31.12.2014	1
2	1545806-0184	(Front frame AirLite adducted, right, mercury blue)	01.01.2015 →	1
2	1545806-0185	(Front frame AirLite adducted, right, dynamite orange)	01.01.2015 →	1
2	1545806-0186	(Front frame AirLite adducted, right, atomic violet)	01.01.2015 →	1

(Frame Aluminium 90° adducted =>31.01.2017)

2	1545806-0187	(Front frame AirLite adducted, right, nitro pink)	01.01.2015 →	1
2	1545806-0410	(Front frame AirLite adducted, right, polished)		1
2	1545806-0411	(Front frame AirLite adducted, right, black, matt)		1
2	1545806-0419	(Front frame AirLite adducted, right, silver grey)		1
2	1545806-0442	(Front frame AirLite adducted, right, night shimmer)		1
2	1545806-0445	(Front frame AirLite adducted, right, ivory white)		1
2	1545806-0446	(Front frame AirLite adducted, right, purple fire)		1
2	1545806-0447	(Front frame AirLite adducted, right, emerald green)	01.11.2010 → 31.12.2012	1
2	1545806-0448	(Front frame AirLite adducted, right, midnight blue)	01.11.2010 → 31.12.2012	1
2	1545806-0449	(Front frame AirLite adducted, right, umber glaze)	01.11.2010 → 31.12.2014	1
2	1545806-0450	(Front frame AirLite adducted, right, smokey grey)		1
2	1545806-0451	(Front frame AirLite adducted, right, flashy yellow)		1
2	1545806-3524	(Front frame AirLite adducted, right, royal red)		1
2	1545806-5969	(Front frame AirLite adducted, right, royal blue)		1
2	1545806-9005	(Front frame AirLite adducted, right, black, glossy)		1
3	1487961-0004	Kusch balhoofd afdekdp zwart pp		1
3	1487961-0001	(Bearing block cap pair, chrome)		1
3	1487961-0182	(Bearing block cap pair, champagne)	01.01.2013 →	1
3	1487961-0183	(Bearing block cap pair, olive)	01.01.2013 →	1
3	1487961-0400	(Bearing block cap pair, techno-anthrazit)		1
3	1487961-0401	K-Junior balhoofd afdekdp limoen pp	01.11.2010 → 31.12.2012	1
3	1487961-0402	Kusch balhoofd afdekdp abrikoos pp	01.11.2010 → 31.12.2012	1
3	1487961-0404	Kusch balhoofd afdekdp b-blauw pp		1
3	1487961-0440	Kusch balhoofd afdekdp rood pp		1
3	1487961-0441	(Bearing block cap pair, arctic blue)		1
3	1487961-0444	(Bearing block cap, pair, copper glaze)		1
4	1451718	K-Serie 2005 voorw.vork lager set (set = 4 st.)		1
5	1529372	K-Serie 2005 framedelen beschermers pp		1

(Configuration table for frame Aluminium AirLite 90° adducted)

i	Rear Wheel 24"				Rear Wheel 25"				Rear Wheel 26"			
	Frame Aluminium Adducted 90° (336 mm)	SHv 48	UL29 -> UL36	UL39 -> UL44	SHv 49	UL29 -> UL36	UL39 -> UL45	SHv 50	UL29 -> UL36	UL39 -> UL46		
SHv 49		UL29 -> UL37	UL40 -> UL45	SHv 50	UL29 -> UL37	UL40 -> UL46	SHv 51	UL29 -> UL37	UL40 -> UL47			
SHv 50		UL29 -> UL38	UL41 -> UL46	SHv 51	UL29 -> UL38	UL41 -> UL47	SHv 52	UL29 -> UL38	UL41 -> UL48			

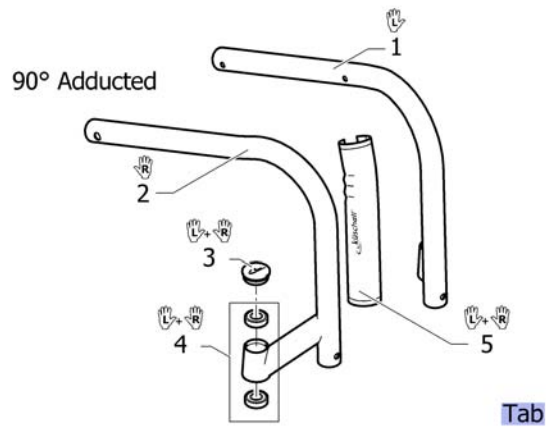


i -

(Type of frame in relation to footrest, knee to heel length (UL), front seat height (SHv) and rear wheel size)

1

(Frame Aluminium 90° adducted 01.02.2017=>)

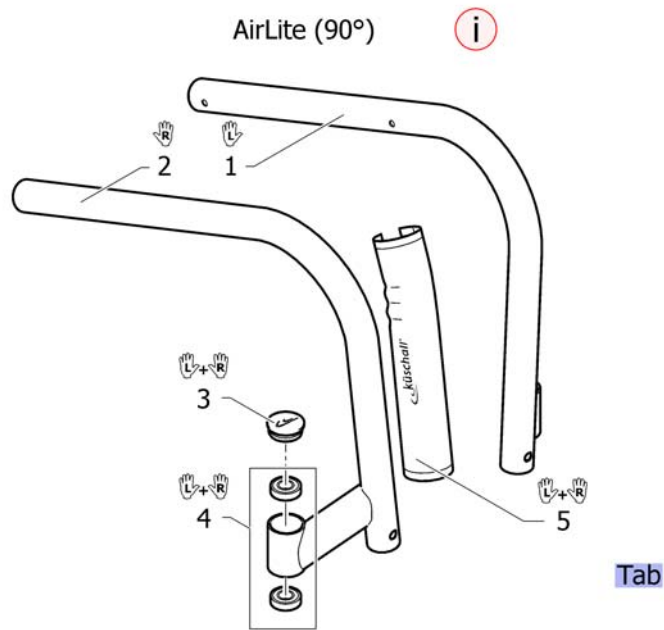


Tab	-	(Configuration table for frame Aluminium AirLite 90° adducted)	1
1	SP1642330-0184	(Front frame 90° adducted, left, mercury blue)	1
1	SP1642330-0185	(Front frame 90° adducted, left, dynamite orange)	1
1	SP1642330-0186	(Front frame 90° adducted, left, atomic violet)	1
1	SP1642330-0187	(Front frame 90° adducted, left, nitro pink)	1
1	SP1642330-0410	(Front frame 90° adducted, left, polished)	1
1	SP1642330-0411	(Front frame 90° adducted, left, black matt)	1
1	SP1642330-0419	(Front frame 90° adducted, left, silver grey)	1
1	SP1642330-0442	(Front frame 90° adducted, left, night shimmer)	1
1	SP1642330-0445	(Front frame 90° adducted, left, ivory white)	1
1	SP1642330-0446	(Front frame 90° adducted, left, purple fire)	1
1	SP1642330-0450	(Front frame 90° adducted, left, smokey grey)	1
1	SP1642330-0451	(Front frame 90° adducted, left, flashy yellow)	1
1	SP1642330-0458	(Front frame 90° adducted, left, Red Mat)	1
1	SP1642330-0459	(Front frame 90° adducted, left, caramel bronze)	1
1	SP1642330-0460	(Front frame 90° adducted, left, neon green)	1
1	SP1642330-0461	(Front frame 90° adducted, left, neon yellow)	1
1	SP1642330-0462	(Front frame 90° adducted, left, neon pink)	1
1	SP1642330-0463	(Front frame 90° adducted, left, neon red)	1
1	SP1642330-3524	(Front frame 90° adducted, left, royal red)	1
1	SP1642330-5969	(Front frame 90° adducted, left, royal blue)	1
1	SP1642330-9005	(Front frame 90° adducted, left, glossy black)	1
2	SP1642331-0184	(Front frame 90° adducted, right, mercury blue)	1
2	SP1642331-0185	(Front frame 90° adducted, right, dynamite orange)	1
2	SP1642331-0186	(Front frame 90° adducted, right, atomic violet)	1
2	SP1642331-0187	(Front frame 90° adducted, right, nitro pink)	1
2	SP1642331-0410	(Front frame 90° adducted, right, polished)	1
2	SP1642331-0411	(Front frame 90° adducted, right, black matt)	1
2	SP1642331-0419	(Front frame 90° adducted, right, silver grey)	1
2	SP1642331-0442	(Front frame 90° adducted, right, night shimmer)	1
2	SP1642331-0445	(Front frame 90° adducted, right, ivory white)	1

(Frame Aluminium 90° adducted 01.02.2017=>)

2	SP1642331-0446	(Front frame 90° adducted, right, purple fire)	1
2	SP1642331-0450	(Front frame 90° adducted, right, smokey grey)	1
2	SP1642331-0451	(Front frame 90° adducted, right, flashy yellow)	1
2	SP1642331-0458	(Front frame 90° adducted, right, Red Mat)	1
2	SP1642331-0459	(Front frame 90° adducted, right, caramel bronze)	1
2	SP1642331-0460	(Front frame 90° adducted, right, neon green)	1
2	SP1642331-0461	(Front frame 90° adducted, right, neon yellow)	1
2	SP1642331-0462	(Front frame 90° adducted, right, neon pink)	1
2	SP1642331-0463	(Front frame 90° adducted, right, neon red)	1
2	SP1642331-3524	(Front frame 90° adducted, right, royal red)	1
2	SP1642331-5969	(Front frame 90° adducted, right, royal blue)	1
2	SP1642331-9005	(Front frame 90° adducted, right, glossy black)	1
3	1487961-0004	Kusch balhoofd afdekdop zwart pp	1
3	1487961-0001	(Bearing block cap pair, chrome)	1
3	1487961-0182	(Bearing block cap pair, champagne)	1
3	1487961-0183	(Bearing block cap pair, olive)	1
3	1487961-0400	(Bearing block cap pair, techno-anthrazit)	1
3	1487961-0404	Kusch balhoofd afdekdop b-blauw pp	1
3	1487961-0440	Kusch balhoofd afdekdop rood pp	1
3	1487961-0441	(Bearing block cap pair, arctic blue)	1
3	1487961-0444	(Bearing block cap, pair, copper glaze)	1
4	1451718	K-Serie 2005 voorw.vork lager set (set = 4 st.)	1
5	1529372	K-Serie 2005 framedelen beschermers pp	1

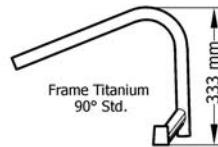
(Frame Titanium 90° standard =>31.01.2017)



i	-	(Special sleeves for footplates and sleeves for brakes clamping pieces are necessary (See pages footplates and brakes).)		0
Tab	-	(Configuration table for frame Titanium AirLite 90° standard)		1
1	1545801	(Front frame Titanium Air Lite, 90°, left)		1
2	1545802	(Front frame Titanium Air Lite, 90°, right)		1
3	1487961-0004	Kusch balhoofd afdekdop zwart pp		1
3	1487961-0001	(Bearing block cap pair, chrome)		1
3	1487961-0182	(Bearing block cap pair, champagne)	01.01.2013 →	1
3	1487961-0183	(Bearing block cap pair, olive)	01.01.2013 →	1
3	1487961-0400	(Bearing block cap pair, techno-anthrazit)		1
3	1487961-0401	K-Junior balhoofd afdekdop limoen pp	01.11.2010 → 31.12.2012	1
3	1487961-0402	Kusch balhoofd afdekdop abrikoos pp	01.11.2010 → 31.12.2012	1
3	1487961-0404	Kusch balhoofd afdekdop b-blauw pp		1
3	1487961-0440	Kusch balhoofd afdekdop rood pp		1
3	1487961-0441	(Bearing block cap pair, arctic blue)		1
3	1487961-0444	(Bearing block cap, pair, copper glaze)		1
4	1451718	K-Serie 2005 voorw.vork lager set (set = 4 st.)		1
5	1529372	K-Serie 2005 framedelen beschermers pp		1

(Configuration table for frame Titanium AirLite 90° standard)

i	Rear Wheel 24"			Rear Wheel 25"			Rear Wheel 26"		
	Frame Titanium 90° Std. (333 mm)	SHv 48	UL29 -> UL36	UL37 -> UL44	SHv 49	UL29 -> UL36	UL37 -> UL45	SHv 50	UL29 -> UL36
SHv 49		UL29 -> UL37	UL38 -> UL45	SHv 50	UL29 -> UL37	UL38 -> UL46	SHv 51	UL29 -> UL37	UL38 -> UL47
SHv 50		UL29 -> UL38	UL39 -> UL46	SHv 51	UL29 -> UL38	UL39 -> UL47	SHv 52	UL29 -> UL38	UL39 -> UL48

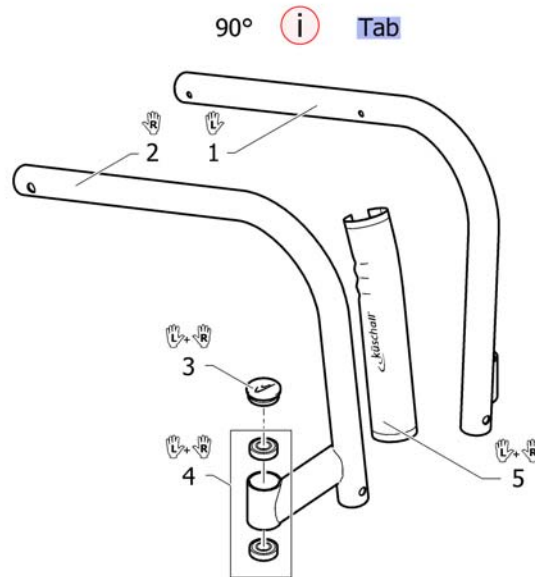


i -

(Type of frame in relation to footrest, knee to heel length (UL), front seat height (SHv) and rear wheel size)

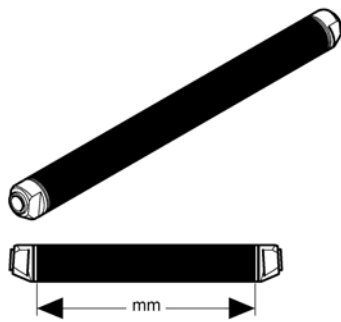
1

(Frame Titanium 90° standard 01.02.2017=>)

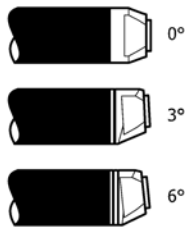


i	-	(Special sleeves for footplates and sleeves for brakes clamping pieces are necessary (See pages footplates and brakes).)	1
Tab	-	(Configuration table for frame Titanium AirLite 90° standard)	1
1	SP1642332	(Front frame Titanium 90°, left)	1
2	SP1642333	(Front frame Titanium 90°, right)	1
3	1487961-0004	Kusch balhoofd afdekdop zwart pp	1
3	1487961-0001	(Bearing block cap pair, chrome)	1
3	1487961-0182	(Bearing block cap pair, champagne)	1
3	1487961-0183	(Bearing block cap pair, olive)	1
3	1487961-0400	(Bearing block cap pair, techno-anthrazit)	1
3	1487961-0404	Kusch balhoofd afdekdop b-blauw pp	1
3	1487961-0440	Kusch balhoofd afdekdop rood pp	1
3	1487961-0441	(Bearing block cap pair, arctic blue)	1
3	1487961-0444	(Bearing block cap, pair, copper glaze)	1
4	1451718	K-Serie 2005 voorw.vork lager set (set = 4 st.)	1
5	1529372	K-Serie 2005 framedelen beschermers pp	1

(Axle tube Aluminium)



	In combination with:			SB32	SB34	SB36	SB38	SB40	SB42	SB44	SB46	SB48	SB50
0°	✓	✓		1	2	3	4	5	6	7	8	9	10
3°	✓	✗		12	13	14	15	16	17	18	19	20	21
	✗	✓		13	14	15	16	17	18	19	20	21	22
6°	✓	✗		24	25	26	27	28	29	30	31	32	33
	✗	✓		25	26	27	28	29	30	31	32	33	34



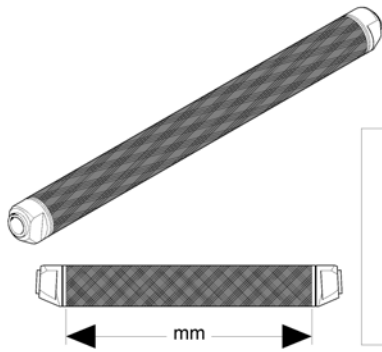
	In combination with:					SB32	SB34	SB36	SB38	SB40	SB42	SB44	SB46	SB48	SB50
0°	✓	✓	0°/Vario			1	2	3	4	5	6	7	8	9	10
	✓	✗	3°			1	2	3	4	5	6	7	8	9	10
	✗	✓	3°			2	3	4	5	6	7	8	9	10	11
3°	✓	✗	0°/3°/Vario			12	13	14	15	16	17	18	19	20	21
	✗	✓	0°/3°/Vario			13	14	15	16	17	18	19	20	21	22
	✓	✗	6°			13	14	15	16	17	18	19	20	21	22
	✗	✓	6°			14	15	16	17	18	19	20	21	22	23
	✓	✗	3°/6°			24	25	26	27	28	29	30	31	32	33
6°	✗	✓	3°/6°			25	26	27	28	29	30	31	32	33	34

1	1545826	(Axle tube Aluminium 0° complete, 298mm)	1
2	1545827	(Axle tube Aluminium 0° complete, 318mm)	1
3	1545828	(Axle tube Aluminium 0° complete, 338mm)	1
4	1545829	(Axle tube Aluminium 0° complete, 358mm)	1
5	1545830	Kusch as 378mm 0 gr.ps cpl G3 (zwart)	1
6	1545831	Kusch as 398mm 0 gr.ps cpl G3 (zwart)	1
7	1545832	Kusch as 418mm 0 gr.ps cpl G3 (zwart)	1
8	1545833	Kusch as 438mm 0 gr. ps cpl G3 (zwart)	1
9	1545834	Kusch as 458mm 0 gr.ps cpl G3 (zwart)	1
10	1545835	Kusch as 478mm 0 gr.ps cpl G3 (zwart)	1
11	SP1638090	(Axle tube Aluminium 0° complete, 498mm)	1
12	SP1638091	(Axle tube Aluminium 3° complete, 304 mm)	1
13	1545836	(Axle tube Aluminium 3° complete, 324mm)	1
14	1545837	Kusch as 344mm 3 gr.ps cpl G3 (zwart)	1
15	1545838	Kusch as 364mm 3gr.ps cpl G3 (zwart)	1
16	1545839	Kusch as 384mm 3 gr.ps cpl G3 (zwart)	1
17	1545840	Kusch as 404mm 3 gr.ps cpl G3 (zwart)	1
18	1545841	Kusch as 424mm 3 gr.ps cpl G3 (zwart)	1
19	1545842	Kusch as 444mm 3 gr.ps cpl G3 (zwart)	1
20	1545843	Kusch as 464mm 3 gr.ps cpl G3 (zwart)	1
21	1545844	Kusch as 484mm 3 gr.ps cpl G3 (zwart)	1
22	1545845	Kusch as 504mm 3 gr.ps cpl G3 (zwart)	1
23	SP1638092	(Axle tube Aluminium 3° complete, 524 mm)	1
24	SP1638093	(Axle tube Aluminium 6° complete, 334 mm)	1
25	1545846	(Axle tube Aluminium 6° complete, 354mm)	1
26	1545847	Kusch as 374mm 6 gr.ps cpl G3 (zwart)	1
27	1545848	(Axle tube Aluminium 6° complete, 394mm)	1
28	1545849	Kusch as 414mm 6 gr.ps cpl G3 (zwart)	1
29	1545850	Kusch as 434mm 6 gr.ps cpl G3 (zwart)	1
30	1545851	Kusch as 454mm 6 gr.ps cpl G3 (zwart)	1
31	1545852	(Axle tube Aluminium 6° complete, 474mm)	1

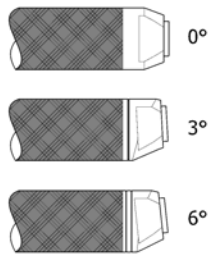
(Axle tube Aluminium)

32	1545853	(Axle tube Aluminium 6° complete, 494mm)	1
33	1545854	Kusch as 514mm 6 gr.ps cpl G3 (zwart)	1
34	SP1638094	(Axle tube Aluminium 6° complete, 534 mm)	1

(Axle tube Carbon)



	In combination with:												
				SB32	SB34	SB36	SB38	SB40	SB42	SB44	SB46	SB48	SB50
0°	✓	✓		1	2	3	4	5	6	7	8	9	10
3°	✓	✗		11	12	13	14	15	16	17	18	19	20
	✗	✓		12	13	14	15	16	17	18	19	20	21
6°	✓	✗		22	23	24	25	26	27	28	29	30	31
	✗	✓		23	24	25	26	27	28	29	30	31	32



	not possible
--	--------------

1	1507564	(Axle tube Carbon 0° complete, 298mm)	1
2	1507565	(Axle tube Carbon 0° complete, 318mm)	1
3	1507566	(Axle tube Carbon 0° complete, 338mm)	1
4	1507567	(Axle tube Carbon 0° complete, 358mm)	1
5	1507568	(Axle tube Carbon 0° complete, 378mm)	1
6	1507569	Kusch as 398mm 0 gr.ps carbon cpl	1
7	1507570	(Axle tube Carbon 0° complete, 418mm)	1
8	1507571	(Axle tube Carbon 0° complete, 438mm)	1
9	1507572	(Axle tube Carbon 0° complete, 458mm)	1
10	SP1638097	(Axle tube Carbon 0° complete, 478mm)	1
11	SP1638111	(Axle tube Carbon 3° complete, 304mm)	1
12	1507575	(Axle tube Carbon 3° complete, 324mm)	1
13	1507576	(Axle tube Carbon 3° complete, 344mm)	1
14	1507577	(Axle tube Carbon 3° complete, 364mm)	1
15	1507578	Kusch as 384mm 3 gr.ps carbon cpl	1
16	1507579	Kusch as 404mm 3 gr.ps carbon cpl	1
17	1507580	Kusch as 424mm 3 gr.ps carbon cpl	1
18	1507581	Kusch as 444mm 3 gr.ps carbon cpl	1
19	1507582	(Axle tube Carbon 3° complete, 464mm)	1
20	1507583	(Axle tube Carbon 3° complete, 484mm)	1
21	SP1638112	(Axle tube Carbon 3° complete, 504mm)	1
22	SP1638113	(Axle tube Carbon 6° complete, 334mm)	1
23	1507585	(Axle tube Carbon 6° complete, 354mm)	1
24	1507586	(Axle tube Carbon 6° complete, 374mm)	1
25	1507587	(Axle tube Carbon 6° complete, 394mm)	1
26	1507588	(Axle tube Carbon 6° complete, 414mm)	1
27	1507589	Kusch as 434mm 6 gr.ps carbon cpl	1
28	1507590	(Axle tube Carbon 6° complete, 454mm)	1
29	1507591	(Axle tube Carbon 6° complete, 474mm)	1
30	1507592	(Axle tube Carbon 6° complete, 494mm)	1
31	1507593	(Axle tube Carbon 6° complete, 514mm)	1

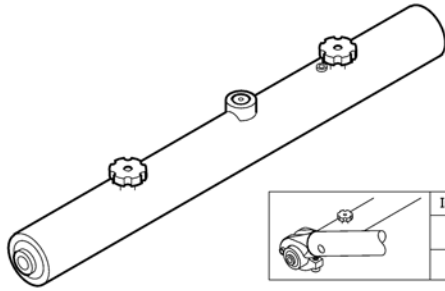
(Axle tube Carbon)

32 SP1638114

(Axle tube Carbon 6° complete, 534mm)

1

(Vario-Ax)

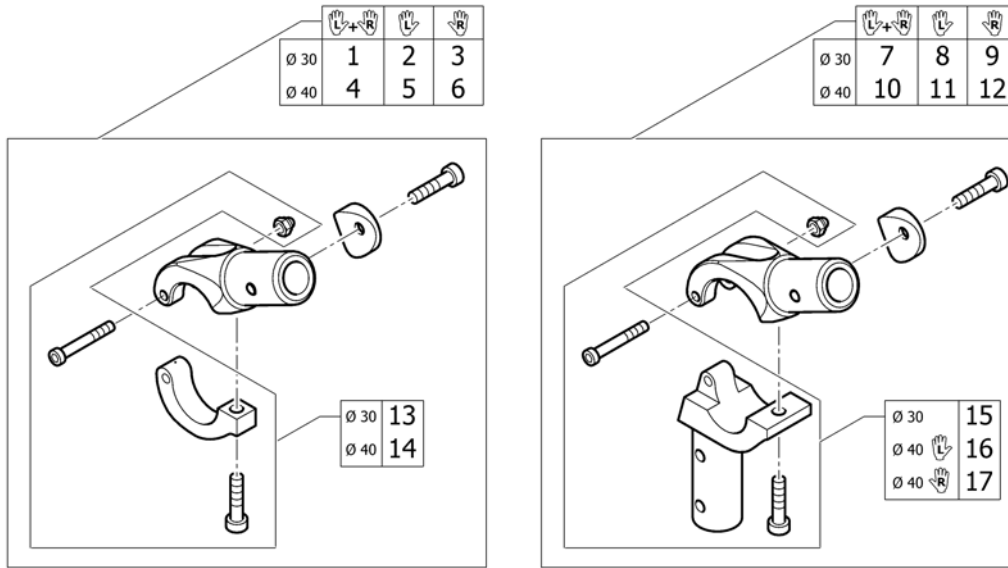


In combination with:	SB32 SB34 SB36 SB38 SB40 SB42 SB44 SB46 SB48 SB50									
	✓	✓	✓	✓	✓	✓	✓	✓	✓	✓

In combination with:	SB32 SB34 SB36 SB38 SB40 SB42 SB44 SB46 SB48 SB50													
					SB32	SB34	SB36	SB38	SB40	SB42	SB44	SB46	SB48	SB50
	✓	✓	0°/Vario		1	2	3	4	5	6	7	8	9	10
	✓	✗	3°		1	2	3	4	5	6	7	8	9	10
	✗	✓	3°		2	3	4	5	6	7	8	9	10	11

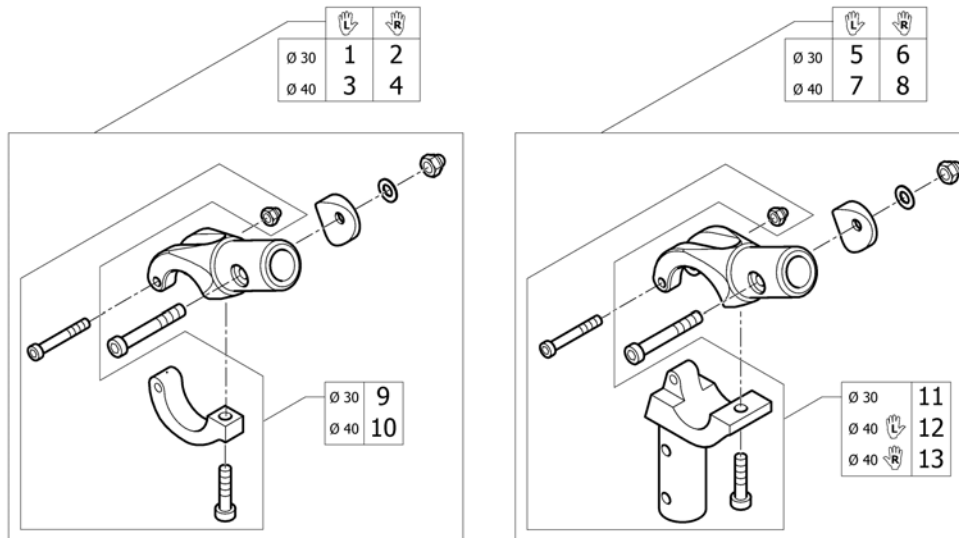
1	1507609	(Vario-Ax complete 335mm)	1
2	1507611	(Vario-Ax complete 355mm)	1
3	1507612	(Vario-Ax complete 375mm)	1
4	1507613	Kusch as vario 395mm ps cpl	1
5	1507615	Kusch as vario 415mm ps cpl	1
6	1507616	Kusch as vario 435mm ps cpl	1
7	1507617	Kusch as vario 455mm ps cpl	1
8	1507619	Kusch as vario 475mm ps cpl	1
9	1507620	(Vario-Ax complete 495mm)	1
10	1507621	(Vario-Ax complete 515mm)	1
11	1507622	(Vario-Ax complete 535mm)	1

(Axle holder =>31.01.2017)



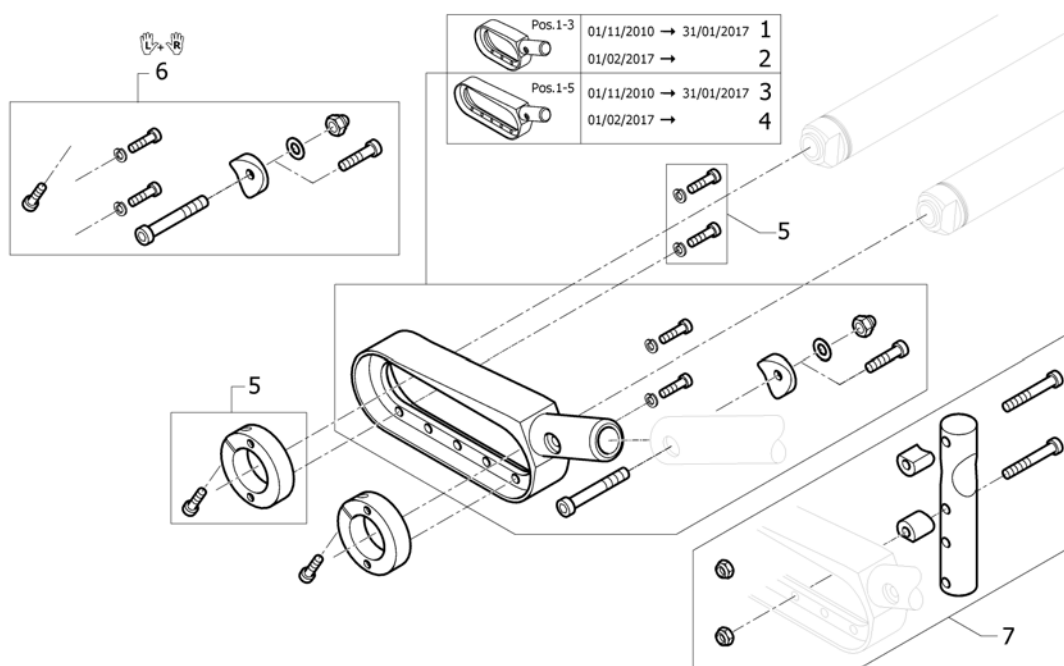
1	1545809	(Axle holder complete Ø30, pair)	1
2	1545811	K-Serie G3 as klemset std diam.30mm links	1
3	1545812	K-Serie G3 as klemset std diam.30mm rechts	1
4	1545810	K-Serie G3 vario-as bev. klem pp	1
5	1545813	(Axle holder complete Ø40, left)	1
6	1545814	(Axle holder complete Ø40, right)	1
7	1545815	(Axle holder for adaptations Ø30, pair)	1
8	1545818	K-Serie G3 as std.bev. klem li tbv.anti-tip ps	1
9	1545817	K-Serie G3 as std.bev. klem re tbv.anti-tip ps	1
10	1545816	(Axle holder for adaptations Ø40, pair)	1
11	1545820	(Axle holder for adaptations Ø40, left)	1
12	1545819	(Axle holder for adaptations Ø40, right)	1
13	1545821	K-Serie G3 as bev.onder zijde std 30mm ps	2
14	1545822	K-Serie G3 as bev.onder zijde vario 40mm ps	2
15	1545823	K-Serie G3 as bev.onder zijde met adapt 30mm ps	2
16	1545825	K-Serie G3 as bev.onder zijde met adapt 40mm re	1
17	1545824	K-Serie G3 as bev.onder zijde met adapt 40mm li	1

(Axle holder 01.02.2017=>)



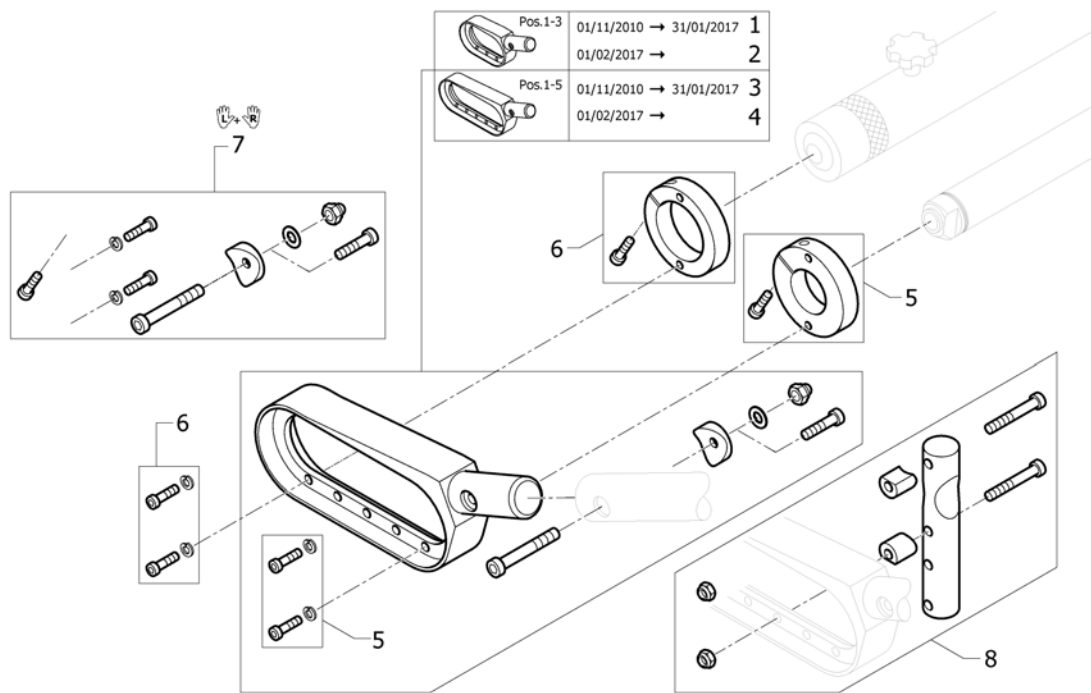
1	SP1638139	(Axle holder complete Ø30, left)	1
2	SP1638140	(Axle holder complete Ø30, right)	1
3	SP1638141	(Axle holder complete Ø40, left)	1
4	SP1638142	(Axle holder complete Ø40, right)	1
5	SP1638143	(Axle holder for adaptations Ø30, left)	1
6	SP1638144	(Axle holder for adaptations Ø30, right)	1
7	SP1638145	(Axle holder for adaptations Ø40, left)	1
8	SP1638146	(Axle holder for adaptations Ø40, right)	1
9	1545821	K-Serie G3 as bev.onder zijde std 30mm ps	1
10	1545822	K-Serie G3 as bev.onder zijde vario 40mm ps	1
11	1545823	K-Serie G3 as bev.onder zijde met adapt 30mm ps	1
12	1545825	K-Serie G3 as bev.onder zijde met adapt 40mm re	1
13	1545824	K-Serie G3 as bev.onder zijde met adapt 40mm li	1

(Rear wheel extension standard)



1	1545863	K-Serie G3 achterw.as ve rlenger 3 pos.	01.11.2010 → 31.01.2017	1
2	SP1639351	(Rear wheel extension short (Pos.1-3) standard complete)	01.02.2017 →	1
3	1553204	K-Serie G3 achterw.as ve rst.std zwart >28-04-11	01.11.2010 → 31.01.2017	1
4	SP1639352	(Rear wheel extension standard, black, complete)	01.02.2017 →	1
5	1553205	K-Serie G3 achterw.as ve rst.klemr.50x30 ps zwart		1
6	1545860	K-Serie G3 achterw.as ve rst.bev.set		1
7	1545861	Kusch anti-tip bev.op as verlenger ps (G3)		1

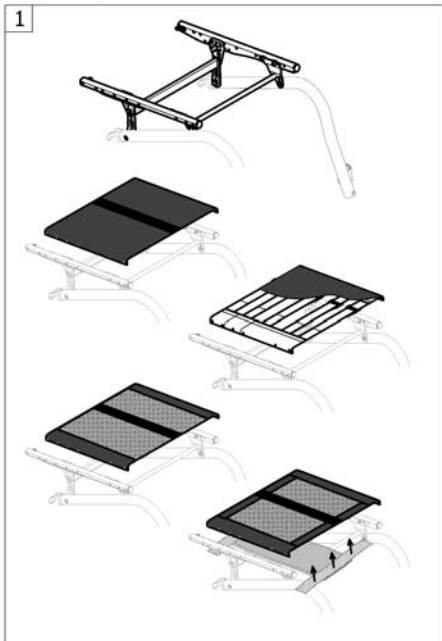
(Rear wheel extension for Vario-Ax)



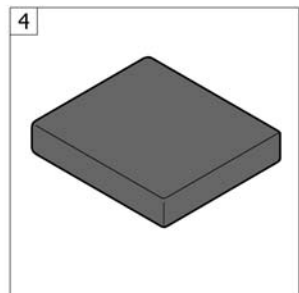
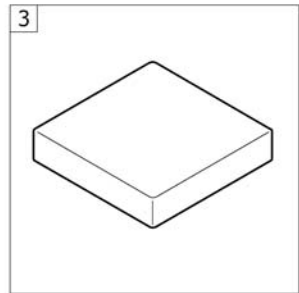
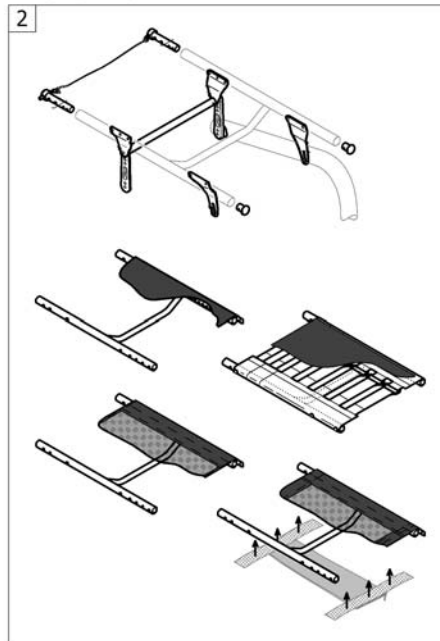
1	1545864	(Rear wheel extension (Pos.1-3) Vario-Ax complete)	01.11.2010 → 31.01.2017	2
2	SP1639353	(Rear wheel extension (Pos.1-3) Vario-Ax complete)	01.02.2017 →	1
3	1553206	(Rear wheel extension Vario-Ax, black, complete)	01.11.2010 → 31.01.2017	2
4	SP1639354	(Rear wheel extension Vario-Ax, black, complete)	01.02.2017 →	1
5	1553207	K-serie G3 klem tbv varioext. 60x30 ps	12.07.2011 →	2
6	1553246	(Clamping ring Ø60/40, black, incl. screw kit)	12.07.2011 →	2
7	1545860	K-Serie G3 achterw.as ve rst.bev.set		1
8	1545862	(Adaptation holder, kit for rear wheel extension Vario-Ax)		2

(SEAT)

01.02.2017=>

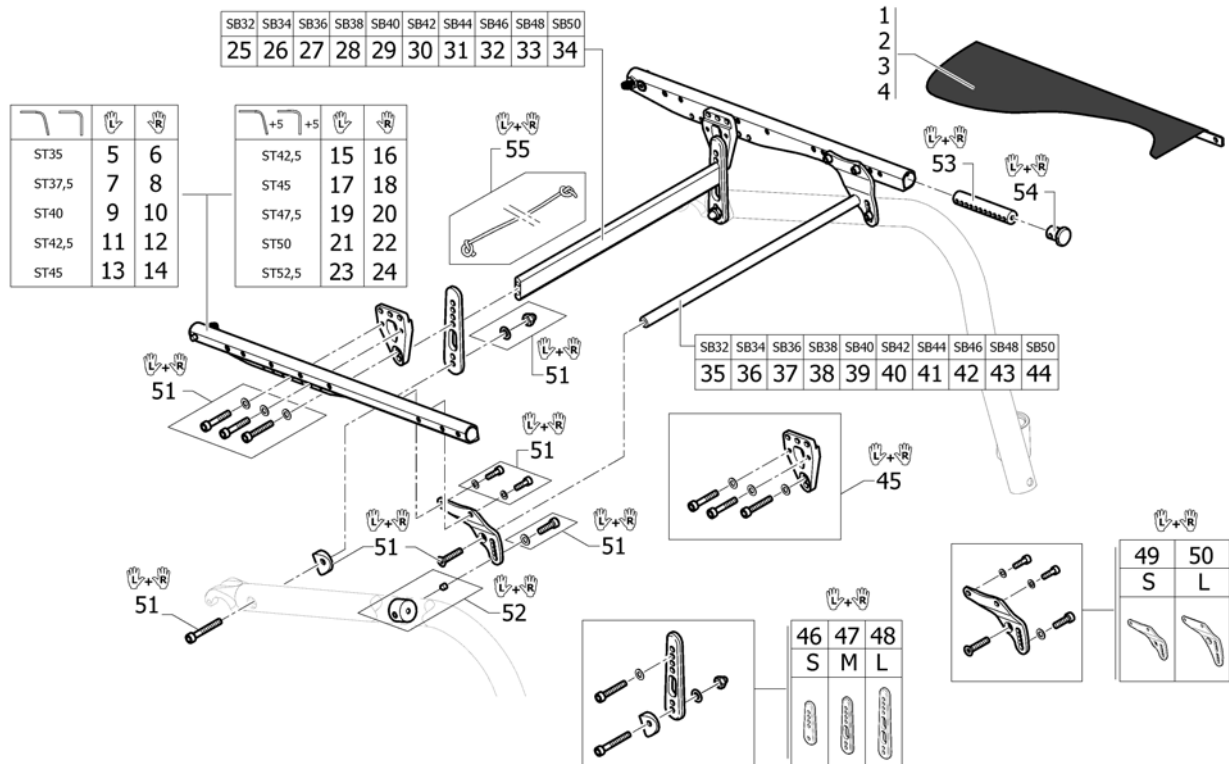


=>31.01.2017



1	-	(Seat module 01.02.2017=>)		1
2	-	(Seat module =>31.01.2017)		1
3	-	(Seat cushion standard)	01.07.2012 →	1
4	-	(Seat cushion Alcantara)		1

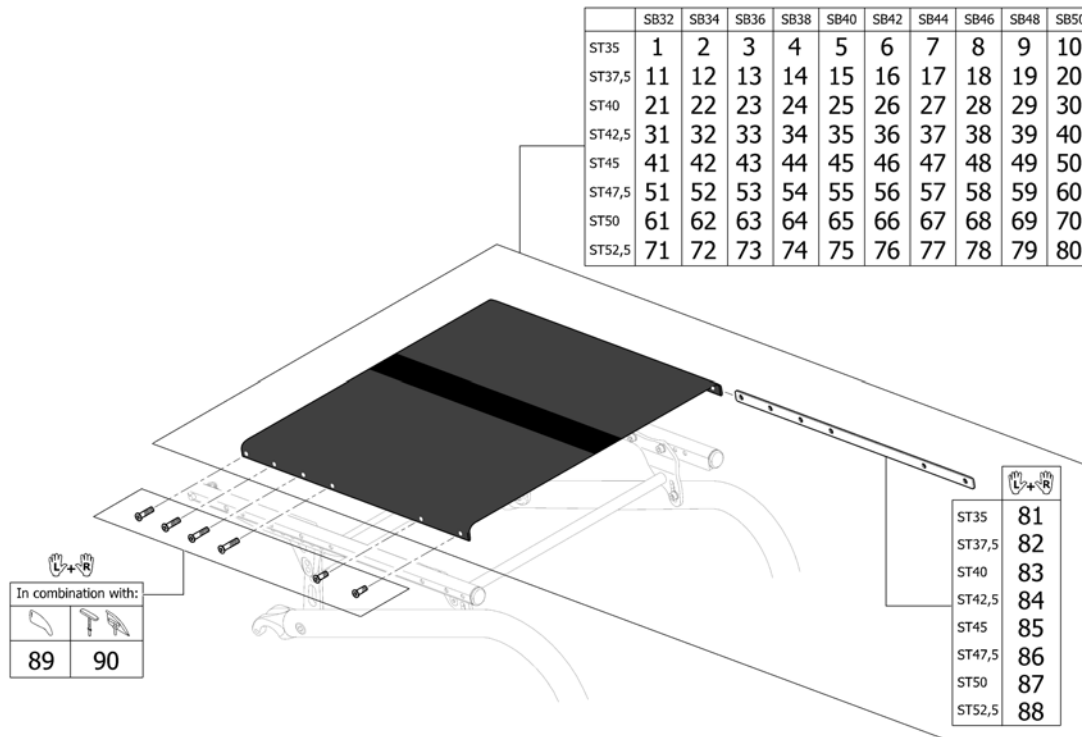
(Seat module 01.02.2017=>)



1	-	(Seatcover standard)	1
2	-	(Seatcover adjustable)	1
3	-	(Seatcover light)	1
4	-	(Seatcover light for seat upholstery bag) <i>Required for seat upholstery bags</i>	1
5	SP1642235	(Seat frame rail ST35, left)	1
6	SP1642236	(Seat frame rail ST35, right)	1
7	SP1642237	(Seat frame rail ST37,5, left)	1
8	SP1642238	(Seat frame rail ST37,5, right)	1
9	SP1642239	(Seat frame rail ST40, left)	1
10	SP1642240	(Seat frame rail ST40, right)	1
11	SP1642241	(Seat frame rail ST42,5, left)	1
12	SP1642242	(Seat frame rail ST42,5, right)	1
13	SP1642243	(Seat frame rail ST45, left)	1
14	SP1642244	(Seat frame rail ST45, right)	1
15	SP1642245	(Seat frame rail for frame+5 ST42,5, links)	1
16	SP1642246	(Seat frame rail for frame+5 ST42,5, right)	1
17	SP1642247	(Seat frame rail for frame+5 ST45, links)	1
18	SP1642248	(Seat frame rail for frame+5 ST45, right)	1
19	SP1642249	(Seat frame rail for frame+5 ST47,5, links)	1
20	SP1642250	(Seat frame rail for frame+5 ST47,5, right)	1
21	SP1642251	(Seat frame rail for frame+5 ST50, links)	1
22	SP1642252	(Seat frame rail for frame+5 ST50, right)	1
23	SP1642253	(Seat frame rail for frame+5 ST52,5, links)	1
24	SP1642254	(Seat frame rail for frame+5 ST52,5, right)	1
25	SP1642255	(Seat brace horizontal rear, SB32)	1
26	SP1642256	(Seat brace horizontal rear, SB34)	1
27	SP1642257	(Seat brace horizontal rear, SB36)	1
28	SP1642258	(Seat brace horizontal rear, SB38)	1
29	SP1642259	(Seat brace horizontal rear, SB40)	1
30	SP1642260	(Seat brace horizontal rear, SB42)	1
31	SP1642261	(Seat brace horizontal rear, SB44)	1

(Seat module 01.02.2017=>)

32	SP1642262	(Seat brace horizontal rear, SB46)	1
33	SP1642263	(Seat brace horizontal rear, SB48)	1
34	SP1642264	(Seat brace horizontal rear, SB50)	1
35	SP1642265	(Seat brace horizontal, SB32)	1
36	SP1642266	(Seat brace horizontal, SB34)	1
37	SP1642267	(Seat brace horizontal, SB36)	1
38	SP1642268	(Seat brace horizontal, SB38)	1
39	SP1642269	(Seat brace horizontal, SB40)	1
40	SP1642270	(Seat brace horizontal, SB42)	1
41	SP1642271	(Seat brace horizontal, SB44)	1
42	SP1642272	(Seat brace horizontal, SB46)	1
43	SP1642273	(Seat brace horizontal, SB48)	1
44	SP1642274	(Seat brace horizontal, SB50)	1
45	SP1642275	(Hinge bracket-Set Seat Frame, rear, pair)	1
46	SP1642276	(Seat brace S set, pair)	1
47	SP1642277	(Seat brace M set, pair)	1
48	SP1642278	(Seat brace L set, pair)	1
49	SP1642279	(Hinge bracket S Set Front Seat Frame, pair)	1
50	SP1642280	(Hinge bracket L Set Front Seat Frame, pair)	1
51	SP1642281	(Fixation kit to hinge brackets)	1
52	SP1642282	(Treadet sleeve to hinge brackets, pair)	1
53	SP1642283	(Treadet sleeve to seat frame rail, pair)	1
54	1486539-0004	Kusch zitbuis afdekdop zwart pp	1
54	1486539-0001	(Seatmodule plug, pair, chrome)	1
54	1486539-0182	(Seatmodule plug, pair, champagne)	1
54	1486539-0183	(Seatmodule plug, pair, olive)	1
54	1486539-0400	(Seatmodule plug, pair, techno-anthrazit)	1
54	1486539-0402	(Seatmodule plug, pair, apricot)	1
54	1486539-0401	(Seatmodule plug, pair, lemon)	1
54	1486539-0404	(Seatmodule plug, pair, b-blue)	1
54	1486539-0440	(Seatmodule plug, pair, comet red)	1
54	1486539-0441	(Seatmodule plug, pair, arctic blue)	1
54	1486539-0444	(Seatmodule plug, pair, copper glaze)	1
55	1554427	K-serie G3 rug ontgr. koord ps	1



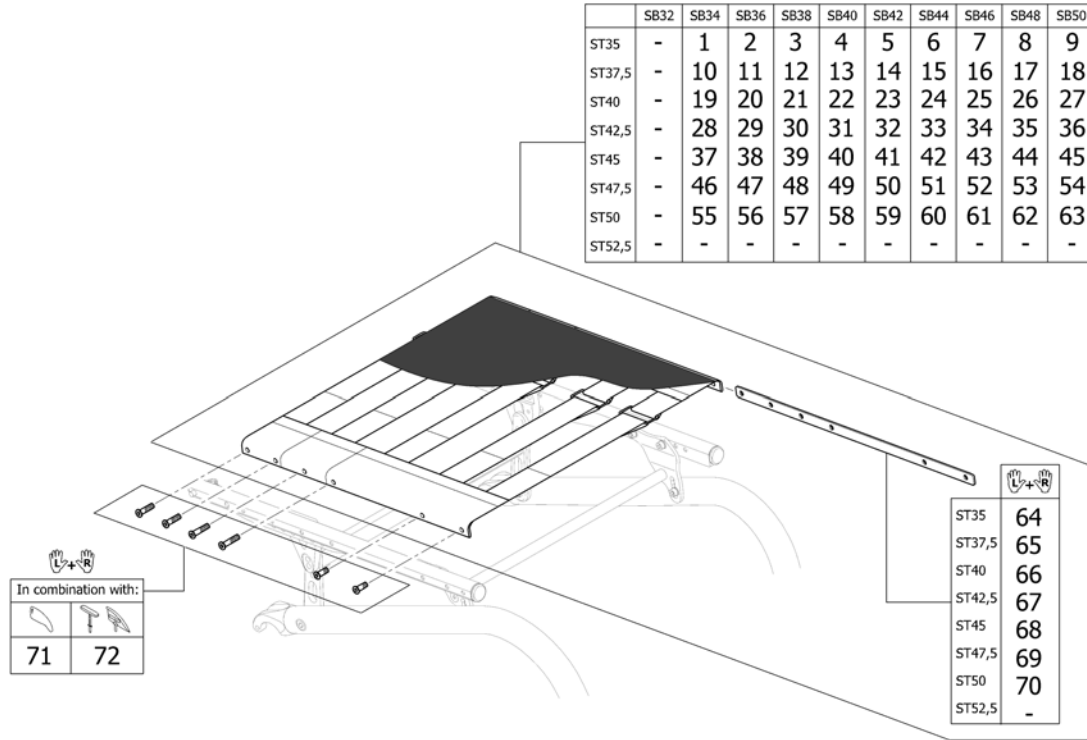
1	SP1607536	(Seatcover standard complete SB32 ST35 for frame standard)	1
2	SP1607537	(Seatcover standard complete SB34 ST35 for frame standard)	1
3	SP1607538	(Seatcover standard complete SB36 ST35 for frame standard)	1
4	SP1607539	(Seatcover standard complete SB38 ST35 for frame standard)	1
5	SP1607540	(Seatcover standard complete SB40 ST35 for frame standard)	1
6	SP1607541	(Seatcover standard complete SB42 ST35 for frame standard)	1
7	SP1607542	(Seatcover standard complete SB44 ST35 for frame standard)	1
8	SP1607543	(Seatcover standard complete SB46 ST35 for frame standard)	1
9	SP1607544	(Seatcover standard complete SB48 ST35 for frame standard)	1
10	SP1607545	(Seatcover standard complete SB50 ST35 for frame standard)	1
11	SP1607639	(Seatcover standard complete SB32 ST37,5 for frame standard)	1
12	1546307	(Seatcover standard complete SB34 ST37,5 for frame standard)	1
13	1546308	(Seatcover standard complete SB36 ST37,5 for frame standard)	1
14	1546309	(Seatcover standard complete SB38 ST37,5 for frame standard)	1
15	1546310	(Seatcover standard complete SB40 ST37,5 for frame standard)	1
16	1546344	K-Serie G3 zitting 42x 37,5 ps	1
17	1546345	K-Serie G3 zitting 44x37 ,5 ps	1
18	1546346	(Seatcover standard complete SB46 ST37,5 for frame standard)	1
19	1546347	K-Serie G3 zitting 48x37 ,5 ps	1
20	SP1607663	(Seatcover standard complete SB50 ST37,5 for frame standard)	1
21	SP1607657	(Seatcover standard complete SB32 ST40 for frame standard)	1
22	1546348	(Seatcover standard complete SB34 ST40 for frame standard)	1
23	1546349	(Seatcover standard complete SB36 ST40 for frame standard)	1
24	1546350	(Seatcover standard complete SB38 ST40 for frame standard)	1
25	1546351	(Seatcover standard complete SB40 ST40 for frame standard)	1
26	1546352	(Seatcover standard complete SB42 ST40 for frame standard)	1
27	1546353	K-Serie G3 zitting 44x40 std.ps	1
28	1546354	(Seatcover standard complete SB46 ST40 for frame standard)	1
29	1546355	(Seatcover standard complete SB48 ST40 for frame standard)	1
30	SP1607664	(Seatcover standard complete SB50 ST40 for frame standard)	1
31	SP1607658	(Seatcover standard complete SB32 ST42,5 for frame standard/+5)	1

(Seatcover standard)

32	1546356	(Seatcover standard complete SB34 ST42,5 for frame standard/+5)	1
33	1546357	(Seatcover standard complete SB36 ST42,5 for frame standard/+5)	1
34	1546358	K-Serie G3 zitting 38x42,5 ps	1
35	1546359	K-Serie G3 zitting 40x42 ,5 std.ps	1
36	1546360	(Seatcover standard complete SB42 ST42,5 for frame standard/+5)	1
37	1546361	K-Serie G3 zitting 44x42 ,5 std ps	1
38	1546362	(Seatcover standard complete SB46 ST42,5 for frame standard/+5)	1
39	1546363	(Seatcover standard complete SB48 ST42,5 for frame standard/+5)	1
40	SP1607665	(Seatcover standard complete SB50 ST42,5 for frame standard/+5)	1
41	SP1607659	(Seatcover standard complete SB32 ST45 for frame standard/+5)	1
42	1546364	(Seatcover standard complete SB34 ST45 for frame standard/+5)	1
43	1546365	(Seatcover standard complete SB36 ST45 for frame standard/+5)	1
44	1546366	(Seatcover standard complete SB38 ST45 for frame standard/+5)	1
45	1546367	(Seatcover standard complete SB40 ST45 for frame standard/+5)	1
46	1546368	K-Serie G3 zitting 42x45 std.ps	1
47	1546369	K-Serie G3 zitting 44x45 std.ps	1
48	1546370	(Seatcover standard complete SB46 ST45 for frame standard/+5)	1
49	1546371	(Seatcover standard complete SB48 ST45 for frame standard/+5)	1
50	SP1607666	(Seatcover standard complete SB50 ST45 for frame standard/+5)	1
51	SP1607660	(Seatcover standard complete SB32 ST47,5 for frame +5)	1
52	1546372	(Seatcover standard complete SB34 ST47,5 for frame +5)	1
53	1546373	(Seatcover standard complete SB36 ST47,5 for frame +5)	1
54	1546374	(Seatcover standard complete SB38 ST47,5 for frame +5)	1
55	1546375	(Seatcover standard complete SB40 ST47,5 for frame +5)	1
56	1546376	(Seatcover standard complete SB42 ST47,5 for frame +5)	1
57	1546377	(Seatcover standard complete SB44 ST47,5 for frame +5)	1
58	1546378	(Seatcover standard complete SB46 ST47,5 for frame +5)	1
59	1546379	(Seatcover standard complete SB48 ST47,5 for frame +5)	1
60	SP1607667	(Seatcover standard complete SB50 ST47,5 for frame +5)	1
61	SP1607661	(Seatcover standard complete SB32 ST50 for frame +5)	1
62	1546380	(Seatcover standard complete SB34 ST50 for frame +5)	1
63	1546381	(Seatcover standard complete SB36 ST50 for frame +5)	1
64	1546382	(Seatcover standard complete SB38 ST50 for frame +5)	1
65	1546383	(Seatcover standard complete SB40 ST50 for frame +5)	1
66	1546384	(Seatcover standard complete SB42 ST50 for frame +5)	1
67	1546385	K-Serie G3 zitting 44x50 std.tbv.frame +5cm	1
68	1546386	(Seatcover standard complete SB46 ST50 for frame +5)	1
69	1546387	(Seatcover standard complete SB48 ST50 for frame +5)	1
70	SP1607668	(Seatcover standard complete SB50 ST50 for frame +5)	1
71	SP1607662	(Seatcover standard complete SB32 ST52,5 for frame +5)	1
72	1546388	(Seatcover standard complete SB34 ST52,5 for frame +5)	1
73	1546389	(Seatcover standard complete SB36 ST52,5 for frame +5)	1
74	1546390	(Seatcover standard complete SB38 ST52,5 for frame +5)	1
75	1546391	(Seatcover standard complete SB40 ST52,5 for frame +5)	1
76	1546392	(Seatcover standard complete SB42 ST52,5 for frame +5)	1
77	1546393	(Seatcover standard complete SB44 ST52,5 for frame +5)	1
78	1546394	(Seatcover standard complete SB46 ST52,5 for frame +5)	1
79	1546395	(Seatcover standard complete SB48 ST52,5 for frame +5)	1
80	SP1607669	(Seatcover standard complete SB50 ST52,5 for frame +5)	1
81	SP1642299	(Seat rail kit SD35, pair)	1
82	1579366	(Seat rail kit SD37,5, pair)	1
83	1579367	(Seat rail kit SD40, pair)	1
84	1579368	(Seat rail kit SD42,5, pair)	1
85	1579369	(Seat rail kit SD45, pair)	1
86	1579370	(Seat rail kit SD47,5, pair)	1

87	1579371	(Seat rail kit SD50, pair)	1
88	1579372	(Seat rail kit SD52,5, pair)	1
89	SP1642300	(Fixation kit seat cover for clothes-guard)	1
90	SP1642301	(Fixation kit seat cover for mudguard or siderest height adjustable)	1

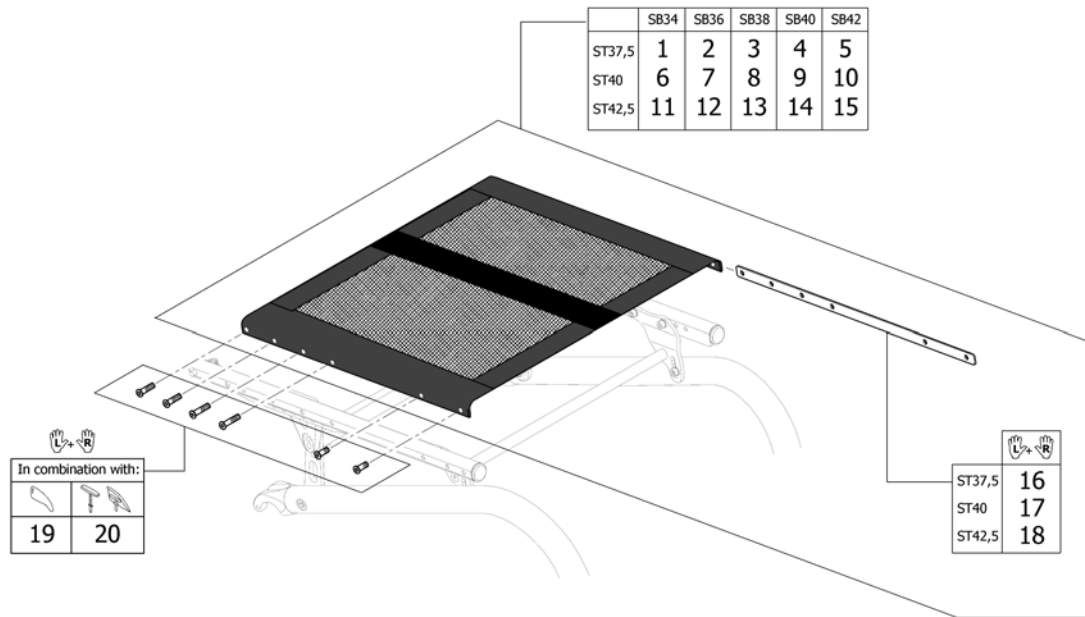
(Seatcover adjustable)



1	SP1642284	(Seatcover adjustable complete SB34 ST35 for frame standard)	1
2	SP1642285	(Seatcover adjustable complete SB36 ST35 for frame standard)	1
3	SP1642286	(Seatcover adjustable complete SB38 ST35 for frame standard)	1
4	SP1642287	(Seatcover adjustable complete SB40 ST35 for frame standard)	1
5	SP1642288	(Seatcover adjustable complete SB42 ST35 for frame standard)	1
6	SP1642289	(Seatcover adjustable complete SB44 ST35 for frame standard)	1
7	SP1642290	(Seatcover adjustable complete SB46 ST35 for frame standard)	1
8	SP1642291	(Seatcover adjustable complete SB48 ST35 for frame standard)	1
9	SP1642292	(Seatcover adjustable complete SB50 ST35 for frame standard)	1
10	1546396	K-Serie zitting nasp. 34x37,5 cpl	1
11	1546397	K-Serie G3 zitting nasp. 36x37,5 cpl	1
12	1546398	K-Serie G3 zitting nasp. 38x37,5 cpl	1
13	1546399	(Seatcover adjustable complete SB40 ST37,5 for frame standard)	1
14	1546400	K-Serie G3 zitting nasp. 42x37,5	1
15	1546401	K-Serie G3 zitting nasp. 44x37,5 cpl	1
16	1546402	(Seatcover adjustable complete SB46 ST37,5 for frame standard)	1
17	1546403	(Seatcover adjustable complete SB48 ST37,5 for frame standard)	1
18	SP1642293	(Seatcover adjustable complete SB50 ST37,5 for frame standard)	1
19	1546455	(Seatcover adjustable complete SB34 ST40 for frame standard)	1
20	1546456	(Seatcover adjustable complete SB36 ST40 for frame standard)	1
21	1546457	(Seatcover adjustable complete SB38 ST40 for frame standard)	1
22	1546458	(Seatcover adjustable complete SB40 ST40 for frame standard)	1
23	1546459	K-Serie G3 zitting nasp. 42x40 cpl	1
24	1546460	(Seatcover adjustable complete SB44 ST40 for frame standard)	1
25	1546461	(Seatcover adjustable complete SB46 ST40 for frame standard)	1
26	1546462	(Seatcover adjustable complete SB48 ST40 for frame standard)	1
27	SP1642294	(Seatcover adjustable complete SB50 ST40 for frame standard)	1
28	1546463	(Seatcover adjustable complete SB34 ST42,5 for frame standard/+5)	1
29	1546464	(Seatcover adjustable complete SB36 ST42,5 for frame standard/+5)	1
30	1546465	K-serie g3 zitting nasp. 38 x 42,5 cpl	1
31	1546466	(Seatcover adjustable complete SB40 ST42,5 for frame standard/+5)	1

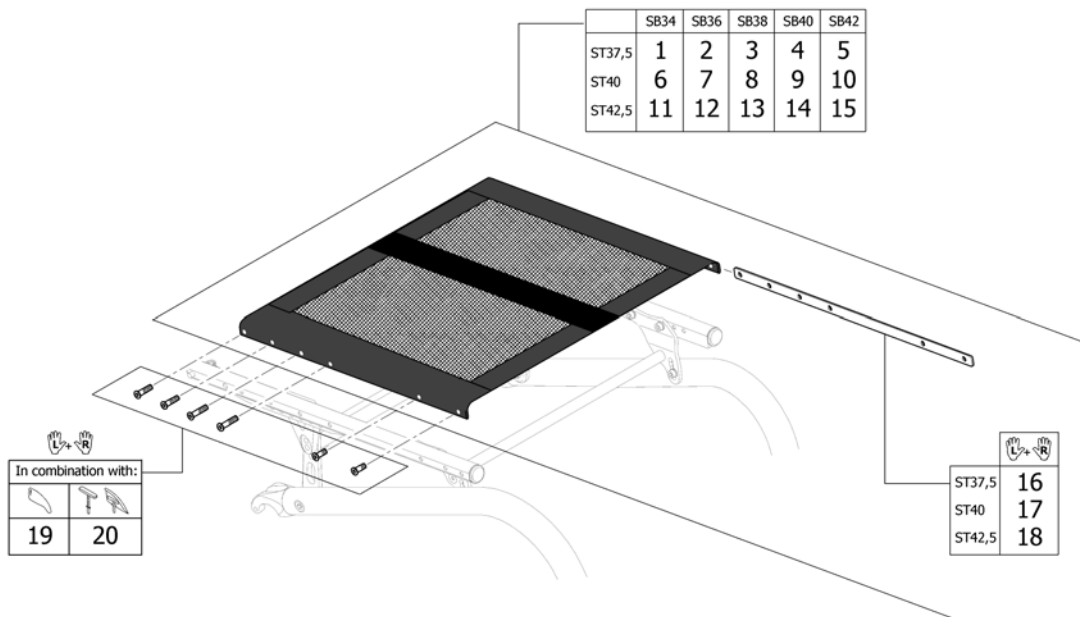
32	1546467	(Seatcover adjustable complete SB42 ST42,5 for frame standard/+5)	1
33	1546468	(Seatcover adjustable complete SB44 ST42,5 for frame standard/+5)	1
34	1546469	(Seatcover adjustable complete SB46 ST42,5 for frame standard/+5)	1
35	1546470	(Seatcover adjustable complete SB48 ST42,5 for frame standard/+5)	1
36	SP1642295	(Seatcover adjustable complete SB50 ST42,5 for frame standard/+5)	1
37	1546471	(Seatcover adjustable complete SB34 ST45 for frame standard/+5)	1
38	1546472	(Seatcover adjustable complete SB36 ST45 for frame standard/+5)	1
39	1546473	(Seatcover adjustable complete SB38 ST45 for frame standard/+5)	1
40	1546474	K-Serie G3 zitting nasp. 40x45 cpl	1
41	1546475	K-Serie G3 zitting nasp. 42x45 cpl	1
42	1546476	(Seatcover adjustable complete SB44 ST45 for frame standard/+5)	1
43	1546477	K-Series G3 zitting nasp 46x45 cpl	1
44	1546478	(Seatcover adjustable complete SB48 ST45 for frame standard/+5)	1
45	SP1642296	(Seatcover adjustable complete SB50 ST45 for frame standard/+5)	1
46	1546479	(Seatcover adjustable complete SB34 ST47,5 for frame +5)	1
47	1546480	(Seatcover adjustable complete SB36 ST47,5 for frame +5)	1
48	1546481	(Seatcover adjustable complete SB38 ST47,5 for frame +5)	1
49	1546482	(Seatcover adjustable complete SB40 ST47,5 for frame +5)	1
50	1546483	(Seatcover adjustable complete SB42 ST47,5 for frame +5)	1
51	1546484	(Seatcover adjustable complete SB44 ST47,5 for frame +5)	1
52	1546485	K-serie G3 zitting nasp 46x47,5 tbv frame + 5cm	1
53	1546486	(Seatcover adjustable complete SB48 ST47,5 for frame +5)	1
54	SP1642297	(Seatcover adjustable complete SB50 ST47,5 for frame +5)	1
55	1546487	(Seatcover adjustable complete SB34 ST50 for frame +5)	1
56	1546488	(Seatcover adjustable complete SB36 ST50 for frame +5)	1
57	1546489	(Seatcover adjustable complete SB38 ST50 for frame +5)	1
58	1546490	(Seatcover adjustable complete SB40 ST50 for frame +5)	1
59	1546491	(Seatcover adjustable complete SB42 ST50 for frame +5)	1
60	1546492	(Seatcover adjustable complete SB44 ST50 for frame +5)	1
61	1546493	(Seatcover adjustable complete SB46 ST50 for frame +5)	1
62	1546494	K-serie G3 zitting nasp 48x50 tbv frame + 5cm	1
63	SP1642298	(Seatcover adjustable complete SB50 ST50 for frame +5)	1
64	SP1642299	(Seat rail kit SD35, pair)	1
65	1579366	(Seat rail kit SD37,5, pair)	1
66	1579367	(Seat rail kit SD40, pair)	1
67	1579368	(Seat rail kit SD42,5, pair)	1
68	1579369	(Seat rail kit SD45, pair)	1
69	1579370	(Seat rail kit SD47,5, pair)	1
70	1579371	(Seat rail kit SD50, pair)	1
71	SP1642300	(Fixation kit seat cover for clothes-guard)	1
72	SP1642301	(Fixation kit seat cover for mudguard or siderest height adjustable)	1

(Seatcover light)



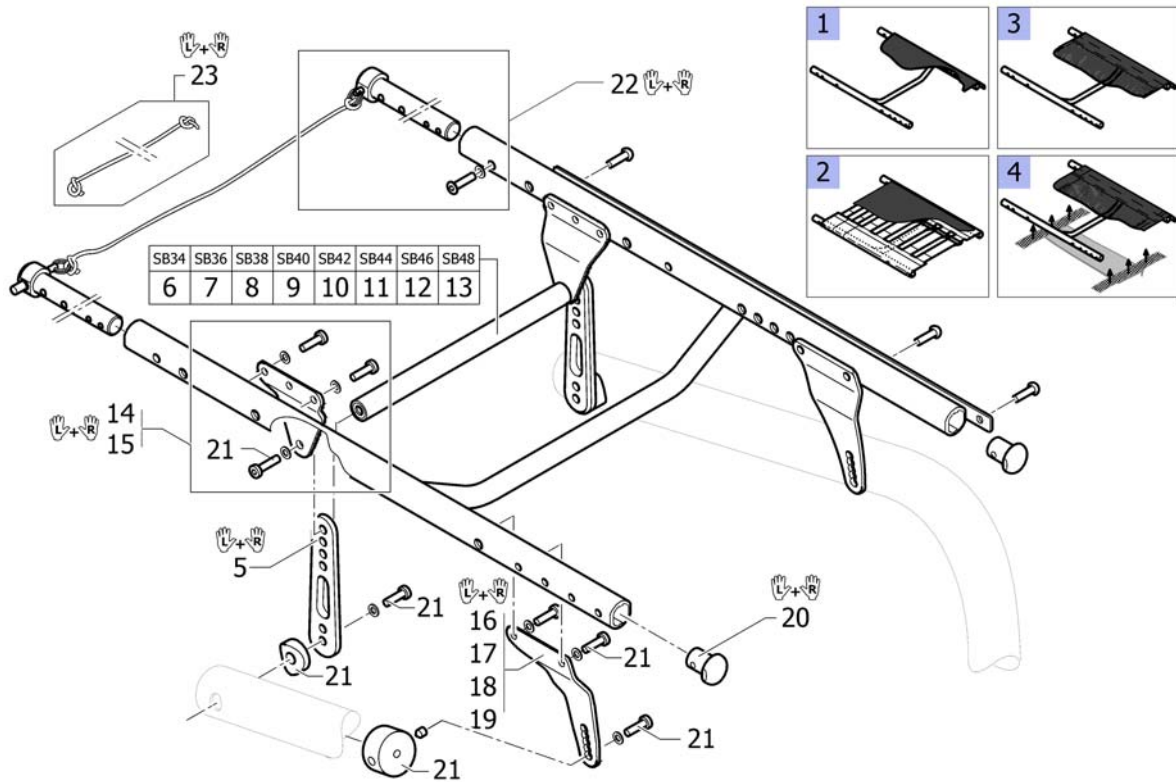
1	1546503	(Seatcover light complete SB34 ST37,5 for frame standard)	1
2	1546504	(Seatcover light complete SB36 ST37,5 for frame standard)	1
3	1546505	(Seatcover light complete SB38 ST37,5 for frame standard)	1
4	1546506	(Seatcover light complete SB40 ST37,5 for frame standard)	1
5	1546507	(Seatcover light complete SB42 ST37,5 for frame standard)	1
6	1546511	(Seatcover light complete SB34 ST40 for frame standard)	1
7	1546512	(Seatcover light complete SB36 ST40 for frame standard)	1
8	1546513	(Seatcover light complete SB38 ST40 for frame standard)	1
9	1546514	(Seatcover light complete SB40 ST40 for frame standard)	1
10	1546515	(Seatcover light complete SB42 ST40 for frame standard)	1
11	1546519	(Seatcover light complete SB34 ST42,5 for frame standard)	1
12	1546520	(Seatcover light complete SB36 ST42,5 for frame standard)	1
13	1546521	(Seatcover light complete SB38 ST42,5 for frame standard)	1
14	1546522	(Seatcover light complete SB40 ST42,5 for frame standard)	1
15	1546523	(Seatcover light complete SB42 ST42,5 for frame standard)	1
16	1579366	(Seat rail kit SD37,5, pair)	1
17	1579367	(Seat rail kit SD40, pair)	1
18	1579368	(Seat rail kit SD42,5, pair)	1
19	SP1642300	(Fixation kit seat cover for clothes-guard)	1
20	SP1642301	(Fixation kit seat cover for mudguard or siderest height adjustable)	1

(Seatcover light for seat upholstery bag)



1	SP1590126	(Seatcover light for Seat upholstery bag complete SB34 ST37,5 for frame standard)	1
2	SP1590127	(Seatcover light for Seat upholstery bag complete SB36 ST37,5 for frame standard)	1
3	SP1590128	(Seatcover light for Seat upholstery bag complete SB38 ST37,5 for frame standard)	1
4	SP1590129	(Seatcover light for Seat upholstery bag complete SB40 ST37,5 for frame standard)	1
5	SP1590217	(Seatcover light for Seat upholstery bag complete SB42 ST37,5 for frame standard)	1
6	SP1590221	(Seatcover light for Seat upholstery bag complete SB34 ST40 for frame standard)	1
7	SP1590222	(Seatcover light for Seat upholstery bag complete SB36 ST40 for frame standard)	1
8	SP1590223	(Seatcover light for Seat upholstery bag complete SB38 ST40 for frame standard)	1
9	SP1590224	(Seatcover light for Seat upholstery bag complete SB40 ST40 for frame standard)	1
10	SP1590225	(Seatcover light for Seat upholstery bag complete SB42 ST40 for frame standard)	1
11	SP1590269	(Seatcover light for Seat upholstery bag complete SB34 ST42,5 for frame standard)	1
12	SP1590270	(Seatcover light for Seat upholstery bag complete SB36 ST42,5 for frame standard)	1
13	SP1590271	(Seatcover light for Seat upholstery bag complete SB38 ST42,5 for frame standard)	1
14	SP1590304	(Seatcover light for Seat upholstery bag complete SB40 ST42,5 for frame standard)	1
15	SP1590305	(Seatcover light for Seat upholstery bag complete SB42 ST42,5 for frame standard)	1
16	1579366	(Seat rail kit SD37,5, pair)	1
17	1579367	(Seat rail kit SD40, pair)	1
18	1579368	(Seat rail kit SD42,5, pair)	1
19	SP1642300	(Fixation kit seat cover for clothes-guard)	1
20	SP1642301	(Fixation kit seat cover for mudguard or siderest height adjustable)	1

(Seat module =>31.01.2017)

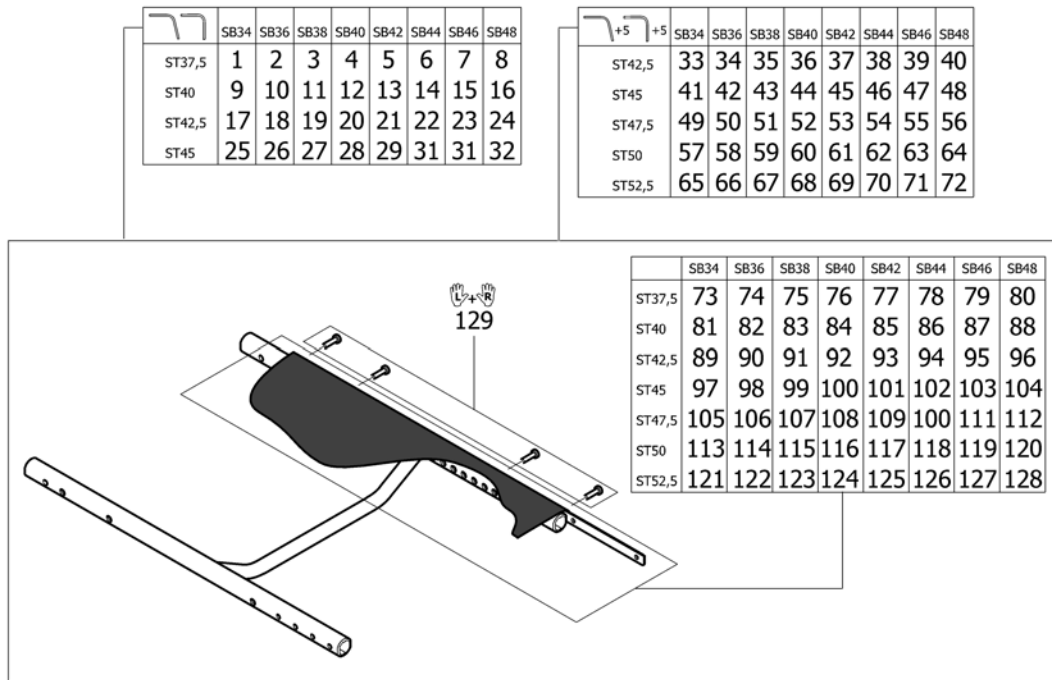


1	-	(Seat frame, cover standard)		1
2	-	(Seat frame, cover tension adjustable)		1
3	-	(Seat frame, cover light)		1
4	-	(Seat frame, cover light for seat upholstery bag)		1
		<i>Required for seat upholstery bags</i>		
5	1545881	K4 G3 zitting fixatie ki t vert.verst. S/M/L cpl		1
6	1545865	(Seat brace horizontal SB34)		1
7	1545866	(Seat brace horizontal SB36)		1
8	1545867	(Seat brace horizontal SB38)		1
9	1545868	(Seat brace horizontal SB40)		1
10	1545869	K-Serie G3 zitframe verbindingsas zb42 ps		1
11	1545870	(Seat brace horizontal SB44)		1
12	1545871	(Seat brace horizontal SB46)		1
13	1545872	(Seat brace horizontal SB48)		1
14	1545874	K-Serie G3 bev.set zitframe achter pp		1
15	1546693	K-Serie G3 zitting bev. achter tbv.vering pp		1
16	1545876	K4 G3 zitting fixatie voor small pp		1
17	1545877	K4 G3 zitting fixatie voor large pp		1
18	1546691	(Hinge bracket-Set Suspension Seat Frame S)		1
19	1546692	K-Serie G3 zitting fixatieset L tbv.vering		1
20	1486539-0004	Kusch zitbuis afdekdop zwart pp		1
20	1486539-0001	(Seatmodule plug, pair, chrome)		1
20	1486539-0182	(Seatmodule plug, pair, champagne)	01.01.2013 →	1
20	1486539-0183	(Seatmodule plug, pair, olive)	01.01.2013 →	1
20	1486539-0400	(Seatmodule plug, pair, techno-anthrazit)		1
20	1486539-0401	(Seatmodule plug, pair, lemon)	01.07.2012 → 31.12.2012	1
20	1486539-0402	(Seatmodule plug, pair, apricot)	01.07.2012 → 31.12.2012	1
20	1486539-0404	(Seatmodule plug, pair, b-blue)		1
20	1486539-0440	(Seatmodule plug, pair, comet red)		1
20	1486539-0441	(Seatmodule plug, pair, arctic blue)		1

(Seat module =>31.01.2017)

20	1486539-0444	(Seatmodule plug, pair, copper glaze)	1
21	1545880	K-Serie G3 zitting bev. set cpl	1
22	1545873	K-Serie G3 rugontgr.cpl	1
23	1554427	K-serie G3 rug ontgr. koord ps	1

(Seat frame, cover standard)



1	1545887	(Seat module complete with cover standard for standard frame SB34 ST37,5)	1
2	1545888	(Seat module complete with cover standard for standard frame SB36 ST37,5)	1
3	1545889	(Seat module complete with cover standard for standard frame SB38 ST37,5)	1
4	1545890	(Seat module complete with cover standard for standard frame SB40 ST37,5)	1
5	1545891	(Seat module complete with cover standard for standard frame SB42 ST37,5)	1
6	1545892	(Seat module complete with cover standard for standard frame SB44 ST37,5)	1
7	1545893	K-serie G3 zitframe 46x37,5 incl std bekl	1
8	1545894	(Seat module complete with cover standard for standard frame SB48 ST37,5)	1
9	1545895	(Seat module complete with cover standard for standard frame SB34 ST40)	1
10	1545896	(Seat module complete with cover standard for standard frame SB36 ST40)	1
11	1545897	(Seat module complete with cover standard for standard frame SB38 ST40)	1
12	1545898	(Seat module complete with cover standard for standard frame SB40 ST40)	1
13	1545899	K-Serie G3 zitframe 42x40	1
14	1545900	(Seat module complete with cover standard for standard frame SB44 ST40)	1
15	1545901	(Seat module complete with cover standard for standard frame SB46 ST40)	1
16	1545902	(Seat module complete with cover standard for standard frame SB48 ST40)	1
17	1545903	(Seat module complete with cover standard for standard frame SB34 ST42,5)	1
18	1545904	(Seat module complete with cover standard for standard frame SB36 ST42,5)	1

(Seat frame, cover standard)

19	1545905	(Seat module complete with cover standard for standard frame SB38 ST42,5)		1
20	1545906	K-Serie zitframe 40x42,5		1
21	1545907	K-Serie G3 zitframe 42x42,5		1
22	1545908	K-Serie G3 zitframe 44x42,5		1
23	1545909	(Seat module complete with cover standard for standard frame SB46 ST42,5)		1
24	1545910	(Seat module complete with cover standard for standard frame SB48 ST42,5)		1
25	1545911	(Seat module complete with cover standard for standard frame SB34 ST45)		1
26	1545912	(Seat module complete with cover standard for standard frame SB36 ST45)		1
27	1545913	(Seat module complete with cover standard for standard frame SB38 ST45)		1
28	1545914	K-Serie G3 zitframe 40x45		1
29	1545915	(Seat module complete with cover standard for standard frame SB42 ST45)		1
30	1545916	(Seat module complete with cover standard for standard frame SB44 ST45)		1
31	1545917	(Seat module complete with cover standard for standard frame SB46 ST45)		1
32	1545918	(Seat module complete with cover standard for standard frame SB48 ST45)		1
33	1589054	(Seat module complete with cover standard for frame+5 SB34 ST42,5)	01.07.2015 →	1
34	1589055	(Seat module complete with cover standard for frame+5 SB36 ST42,5)	01.07.2015 →	1
35	1589056	(Seat module complete with cover standard for frame+5 SB38 ST42,5)	01.07.2015 →	1
36	1589057	(Seat module complete with cover standard for frame+5 SB40 ST42,5)	01.07.2015 →	1
37	1589058	(Seat module complete with cover standard for frame+5 SB42 ST42,5)	01.07.2015 →	1
38	1589059	(Seat module complete with cover standard for frame+5 SB44 ST42,5)	01.07.2015 →	1
39	1589060	(Seat module complete with cover standard for frame+5 SB46 ST42,5)	01.07.2015 →	1
40	1589061	(Seat module complete with cover standard for frame+5 SB48 ST42,5)	01.07.2015 →	1
41	1545983	(Seat module complete with cover standard for frame+5 SB34 ST45)		1
42	1545984	(Seat module complete with cover standard for frame+5 SB36 ST45)		1
43	1545985	(Seat module complete with cover standard for frame+5 SB38 ST45)		1
44	1545986	(Seat module complete with cover standard for frame+5 SB40 ST45)		1
45	1545987	(Seat module complete with cover standard for frame+5 SB42 ST45)		1
46	1546046	(Seat module complete with cover standard for frame+5 SB44 ST45)		1
47	1546047	K-Serie G3 zitframe +5 46x45 incl std bekl		1
48	1546048	(Seat module complete with cover standard for frame+5 SB48 ST45)		1
49	1546049	(Seat module complete with cover standard for frame+5 SB34 ST47,5)		1
50	1546060	(Seat module complete with cover standard for frame+5 SB36 ST47,5)		1
51	1546089	(Seat module complete with cover standard for frame+5 SB38 ST47,5)		1
52	1546090	(Seat module complete with cover standard for frame+5 SB40 ST47,5)		1
53	1546091	(Seat module complete with cover standard for frame+5 SB42 ST47,5)		1
54	1546092	(Seat module complete with cover standard for frame+5 SB44 ST47,5)		1
55	1546093	(Seat module complete with cover standard for frame+5 SB46 ST47,5)		1
56	1546094	K-Serie G3 zitframe 48x47,5 incl.std.bekl.		1
57	1546095	(Seat module complete with cover standard for frame+5 SB34 ST50)		1
58	1546096	(Seat module complete with cover standard for frame+5 SB36 ST50)		1
59	1546097	(Seat module complete with cover standard for frame+5 SB38 ST50)		1
60	1546098	(Seat module complete with cover standard for frame+5 SB40 ST50)		1
61	1546099	(Seat module complete with cover standard for frame+5 SB42 ST50)		1
62	1546100	K-Serie G3 zitframe +5cm 44x50 std.bekl.		1
63	1546101	(Seat module complete with cover standard for frame+5 SB46 ST50)		1
64	1546102	(Seat module complete with cover standard for frame+5 SB48 ST50)		1
65	1546103	(Seat module complete with cover standard for frame+5 SB34 ST52,5)		1
66	1546104	(Seat module complete with cover standard for frame+5 SB36 ST52,5)		1

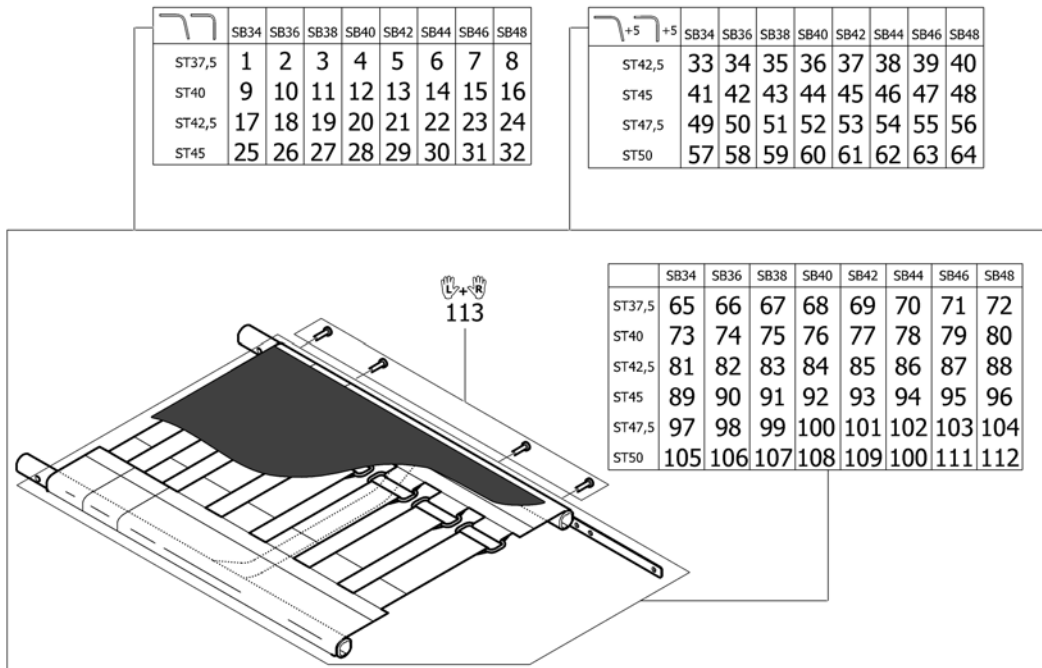
(Seat frame, cover standard)

67	1546105	(Seat module complete with cover standard for frame+5 SB38 ST52,5)	1
68	1546106	(Seat module complete with cover standard for frame+5 SB40 ST52,5)	1
69	1546107	(Seat module complete with cover standard for frame+5 SB42 ST52,5)	1
70	1546108	(Seat module complete with cover standard for frame+5 SB44 ST52,5)	1
71	1546109	(Seat module complete with cover standard for frame+5 SB46 ST52,5)	1
72	1546110	(Seat module complete with cover standard for frame+5 SB48 ST52,5)	1
73	1546307	(Seatcover standard complete SB34 ST37,5 for frame standard)	1
74	1546308	(Seatcover standard complete SB36 ST37,5 for frame standard)	1
75	1546309	(Seatcover standard complete SB38 ST37,5 for frame standard)	1
76	1546310	(Seatcover standard complete SB40 ST37,5 for frame standard)	1
77	1546344	K-Serie G3 zitting 42x 37,5 ps	1
78	1546345	K-Serie G3 zitting 44x37 ,5 ps	1
79	1546346	(Seatcover standard complete SB46 ST37,5 for frame standard)	1
80	1546347	K-Serie G3 zitting 48x37 ,5 ps	1
81	1546348	(Seatcover standard complete SB34 ST40 for frame standard)	1
82	1546349	(Seatcover standard complete SB36 ST40 for frame standard)	1
83	1546350	(Seatcover standard complete SB38 ST40 for frame standard)	1
84	1546351	(Seatcover standard complete SB40 ST40 for frame standard)	1
85	1546352	(Seatcover standard complete SB42 ST40 for frame standard)	1
86	1546353	K-Serie G3 zitting 44x40 std.ps	1
87	1546354	(Seatcover standard complete SB46 ST40 for frame standard)	1
88	1546355	(Seatcover standard complete SB48 ST40 for frame standard)	1
89	1546356	(Seatcover standard complete SB34 ST42,5 for frame standard/+5)	1
90	1546357	(Seatcover standard complete SB36 ST42,5 for frame standard/+5)	1
91	1546358	K-Serie G3 zitting 38x42,5 ps	1
92	1546359	K-Serie G3 zitting 40x42 ,5 std.ps	1
93	1546360	(Seatcover standard complete SB42 ST42,5 for frame standard/+5)	1
94	1546361	K-Serie G3 zitting 44x42 ,5 std ps	1
95	1546362	(Seatcover standard complete SB46 ST42,5 for frame standard/+5)	1
96	1546363	(Seatcover standard complete SB48 ST42,5 for frame standard/+5)	1
97	1546364	(Seatcover standard complete SB34 ST45 for frame standard/+5)	1
98	1546365	(Seatcover standard complete SB36 ST45 for frame standard/+5)	1
99	1546366	(Seatcover standard complete SB38 ST45 for frame standard/+5)	1
100	1546367	(Seatcover standard complete SB40 ST45 for frame standard/+5)	1
101	1546368	K-Serie G3 zitting 42x45 std.ps	1
102	1546369	K-Serie G3 zitting 44x45 std.ps	1
103	1546370	(Seatcover standard complete SB46 ST45 for frame standard/+5)	1
104	1546371	(Seatcover standard complete SB48 ST45 for frame standard/+5)	1
105	1546372	(Seatcover standard complete SB34 ST47,5 for frame +5)	1
106	1546373	(Seatcover standard complete SB36 ST47,5 for frame +5)	1
107	1546374	(Seatcover standard complete SB38 ST47,5 for frame +5)	1
108	1546375	(Seatcover standard complete SB40 ST47,5 for frame +5)	1
109	1546376	(Seatcover standard complete SB42 ST47,5 for frame +5)	1
110	1546377	(Seatcover standard complete SB44 ST47,5 for frame +5)	1
111	1546378	(Seatcover standard complete SB46 ST47,5 for frame +5)	1
112	1546379	(Seatcover standard complete SB48 ST47,5 for frame +5)	1
113	1546380	(Seatcover standard complete SB34 ST50 for frame +5)	1
114	1546381	(Seatcover standard complete SB36 ST50 for frame +5)	1
115	1546382	(Seatcover standard complete SB38 ST50 for frame +5)	1
116	1546383	(Seatcover standard complete SB40 ST50 for frame +5)	1
117	1546384	(Seatcover standard complete SB42 ST50 for frame +5)	1
118	1546385	K-Serie G3 zitting 44x50 std.tbv.frame +5cm	1
119	1546386	(Seatcover standard complete SB46 ST50 for frame +5)	1
120	1546387	(Seatcover standard complete SB48 ST50 for frame +5)	1
121	1546388	(Seatcover standard complete SB34 ST52,5 for frame +5)	1

(Seat frame, cover standard)

122	1546389	(Seatcover standard complete SB36 ST52,5 for frame +5)	1
123	1546390	(Seatcover standard complete SB38 ST52,5 for frame +5)	1
124	1546391	(Seatcover standard complete SB40 ST52,5 for frame +5)	1
125	1546392	(Seatcover standard complete SB42 ST52,5 for frame +5)	1
126	1546393	(Seatcover standard complete SB44 ST52,5 for frame +5)	1
127	1546394	(Seatcover standard complete SB46 ST52,5 for frame +5)	1
128	1546395	(Seatcover standard complete SB48 ST52,5 for frame +5)	1
129	1579375	(Fixation kit seat cover)	1

(Seat frame, cover tension adjustable)



1	1545919	(Seat module complete with cover adjustable for standard frame SB34 ST37,5)	1
2	1545920	(Seat module complete with cover adjustable for standard frame SB36 ST37,5)	1
3	1545921	(Seat module complete with cover adjustable for standard frame SB38 ST37,5)	1
4	1545922	(Seat module complete with cover adjustable for standard frame SB40 ST37,5)	1
5	1545923	(Seat module complete with cover adjustable for standard frame SB42 ST37,5)	1
6	1545924	(Seat module complete with cover adjustable for standard frame SB44 ST37,5)	1
7	1545925	(Seat module complete with cover adjustable for standard frame SB46 ST37,5)	1
8	1545926	(Seat module complete with cover adjustable for standard frame SB48 ST37,5)	1
9	1545927	(Seat module complete with cover adjustable for standard frame SB34 ST40)	1
10	1545928	(Seat module complete with cover adjustable for standard frame SB36 ST40)	1
11	1545929	(Seat module complete with cover adjustable for standard frame SB38 ST40)	1
12	1545930	(Seat module complete with cover adjustable for standard frame SB40 ST40)	1
13	1545931	K-Serie G3 zitframe 42x40+spanb.cpl	1
14	1545932	(Seat module complete with cover adjustable for standard frame SB44 ST40)	1
15	1545933	K-Serie G3 zitframe 46x40 incl.spanb. cp	1
16	1545934	(Seat module complete with cover adjustable for standard frame SB48 ST40)	1
17	1545935	(Seat module complete with cover adjustable for standard frame SB34 ST42,5)	1
18	1545936	(Seat module complete with cover adjustable for standard frame SB36 ST42,5)	1

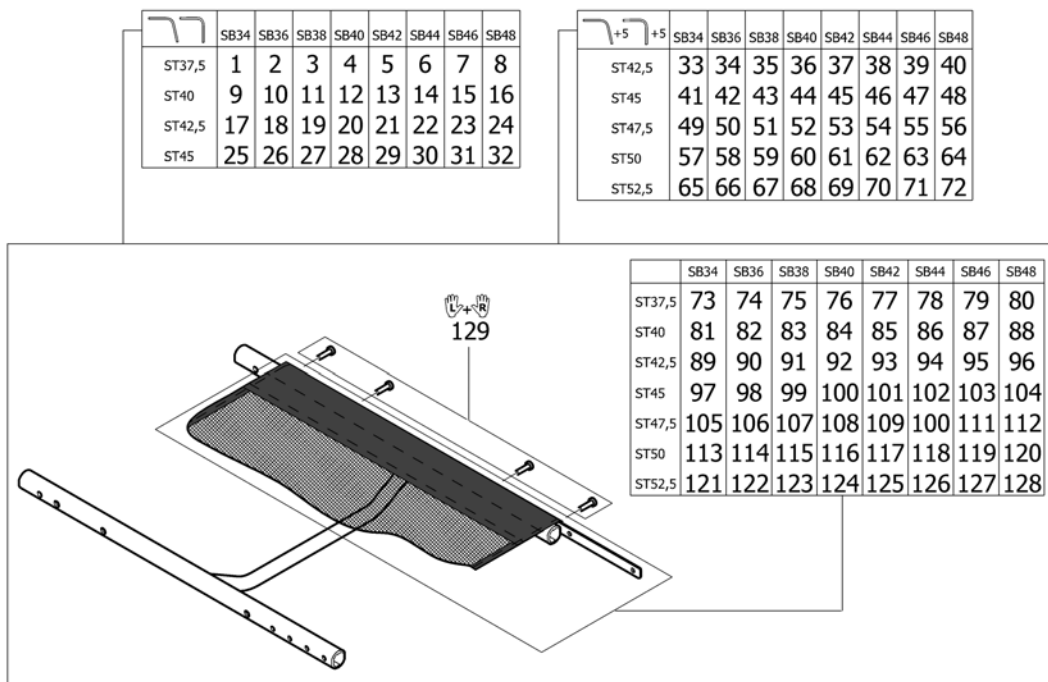
(Seat frame, cover tension adjustable)

19	1545937	(Seat module complete with cover adjustable for standard frame SB38 ST42,5)		1
20	1545938	(Seat module complete with cover adjustable for standard frame SB40 ST42,5)		1
21	1545939	(Seat module complete with cover adjustable for standard frame SB42 ST42,5)		1
22	1545940	(Seat module complete with cover adjustable for standard frame SB44 ST42,5)		1
23	1545941	(Seat module complete with cover adjustable for standard frame SB46 ST42,5)		1
24	1545942	(Seat module complete with cover adjustable for standard frame SB48 ST42,5)		1
25	1545943	(Seat module complete with cover adjustable for standard frame SB34 ST45)		1
26	1545944	(Seat module complete with cover adjustable for standard frame SB36 ST45)		1
27	1545945	K-Serie G3 zitframe 38x45 naspanbaar		1
28	1545946	(Seat module complete with cover adjustable for standard frame SB40 ST45)		1
29	1545947	(Seat module complete with cover adjustable for standard frame SB42 ST45)		1
30	1545948	(Seat module complete with cover adjustable for standard frame SB44 ST45)		1
31	1545949	(Seat module complete with cover adjustable for standard frame SB46 ST45)		1
32	1545950	(Seat module complete with cover adjustable for standard frame SB48 ST45)		1
33	1589062	(Seat module complete with cover adjustable for frame+5 SB34 ST42,5)	01.07.2015 →	1
34	1589063	(Seat module complete with cover adjustable for frame+5 SB36 ST42,5)	01.07.2015 →	1
35	1589064	(Seat module complete with cover adjustable for frame+5 SB38 ST42,5)	01.07.2015 →	1
36	1589065	(Seat module complete with cover adjustable for frame+5 SB40 ST42,5)	01.07.2015 →	1
37	1589066	(Seat module complete with cover adjustable for frame+5 SB42 ST42,5)	01.07.2015 →	1
38	1589067	(Seat module complete with cover adjustable for frame+5 SB44 ST42,5)	01.07.2015 →	1
39	1589068	(Seat module complete with cover adjustable for frame+5 SB46 ST42,5)	01.07.2015 →	1
40	1589069	(Seat module complete with cover adjustable for frame+5 SB48 ST42,5)	01.07.2015 →	1
41	1546111	(Seat module complete with cover adjustable for frame+5 SB34 ST45)		1
42	1546112	(Seat module complete with cover adjustable for frame+5 SB36 ST45)		1
43	1546113	(Seat module complete with cover adjustable for frame+5 SB38 ST45)		1
44	1546114	(Seat module complete with cover adjustable for frame+5 SB40 ST45)		1
45	1546115	(Seat module complete with cover adjustable for frame+5 SB42 ST45)		1
46	1546116	(Seat module complete with cover adjustable for frame+5 SB44 ST45)		1
47	1546117	(Seat module complete with cover adjustable for frame+5 SB46 ST45)		1
48	1546118	(Seat module complete with cover adjustable for frame+5 SB48 ST45)		1
49	1546119	(Seat module complete with cover adjustable for frame+5 SB34 ST47,5)		1
50	1546120	(Seat module complete with cover adjustable for frame+5 SB36 ST47,5)		1
51	1546121	(Seat module complete with cover adjustable for frame+5 SB38 ST47,5)		1
52	1546122	(Seat module complete with cover adjustable for frame+5 SB40 ST47,5)		1
53	1546123	(Seat module complete with cover adjustable for frame+5 SB42 ST47,5)		1
54	1546124	(Seat module complete with cover adjustable for frame+5 SB44 ST47,5)		1
55	1546125	(Seat module complete with cover adjustable for frame+5 SB46 ST47,5)		1
56	1546126	(Seat module complete with cover adjustable for frame+5 SB48 ST47,5)		1
57	1546127	(Seat module complete with cover adjustable for frame+5 SB34 ST50)		1
58	1546128	(Seat module complete with cover adjustable for frame+5 SB36 ST50)		1
59	1546129	(Seat module complete with cover adjustable for frame+5 SB38 ST50)		1
60	1546130	(Seat module complete with cover adjustable for frame+5 SB40 ST50)		1
61	1546131	(Seat module complete with cover adjustable for frame+5 SB42 ST50)		1
62	1546132	(Seat module complete with cover adjustable for frame+5 SB44 ST50)		1
63	1546133	(Seat module complete with cover adjustable for frame+5 SB46 ST50)		1

(Seat frame, cover tension adjustable)

64	1546134	(Seat module complete with cover adjustable for frame+5 SB48 ST50)	1
65	1546396	K-Serie zitting nasp. 34x37,5 cpl	1
66	1546397	K-Serie G3 zitting nasp. 36x37,5 cpl	1
67	1546398	K-Serie G3 zitting nasp. 38x37,5 cpl	1
68	1546399	(Seatcover adjustable complete SB40 ST37,5 for frame standard)	1
69	1546400	K-Serie G3 zitting nasp. 42x37,5	1
70	1546401	K-Serie G3 zitting nasp. 44x37,5 cpl	1
71	1546402	(Seatcover adjustable complete SB46 ST37,5 for frame standard)	1
72	1546403	(Seatcover adjustable complete SB48 ST37,5 for frame standard)	1
73	1546455	(Seatcover adjustable complete SB34 ST40 for frame standard)	1
74	1546456	(Seatcover adjustable complete SB36 ST40 for frame standard)	1
75	1546457	(Seatcover adjustable complete SB38 ST40 for frame standard)	1
76	1546458	(Seatcover adjustable complete SB40 ST40 for frame standard)	1
77	1546459	K-Serie G3 zitting nasp. 42x40 cpl	1
78	1546460	(Seatcover adjustable complete SB44 ST40 for frame standard)	1
79	1546461	(Seatcover adjustable complete SB46 ST40 for frame standard)	1
80	1546462	(Seatcover adjustable complete SB48 ST40 for frame standard)	1
81	1546463	(Seatcover adjustable complete SB34 ST42,5 for frame standard/+5)	1
82	1546464	(Seatcover adjustable complete SB36 ST42,5 for frame standard/+5)	1
83	1546465	K-serie g3 zitting nasp. 38 x 42,5 cpl	1
84	1546466	(Seatcover adjustable complete SB40 ST42,5 for frame standard/+5)	1
85	1546467	(Seatcover adjustable complete SB42 ST42,5 for frame standard/+5)	1
86	1546468	(Seatcover adjustable complete SB44 ST42,5 for frame standard/+5)	1
87	1546469	(Seatcover adjustable complete SB46 ST42,5 for frame standard/+5)	1
88	1546470	(Seatcover adjustable complete SB48 ST42,5 for frame standard/+5)	1
89	1546471	(Seatcover adjustable complete SB34 ST45 for frame standard/+5)	1
90	1546472	(Seatcover adjustable complete SB36 ST45 for frame standard/+5)	1
91	1546473	(Seatcover adjustable complete SB38 ST45 for frame standard/+5)	1
92	1546474	K-Serie G3 zitting nasp. 40x45 cpl	1
93	1546475	K-Serie G3 zitting nasp. 42x45 cpl	1
94	1546476	(Seatcover adjustable complete SB44 ST45 for frame standard/+5)	1
95	1546477	K-Series G3 zitting nasp 46x45 cpl	1
96	1546478	(Seatcover adjustable complete SB48 ST45 for frame standard/+5)	1
97	1546479	(Seatcover adjustable complete SB34 ST47,5 for frame +5)	1
98	1546480	(Seatcover adjustable complete SB36 ST47,5 for frame +5)	1
99	1546481	(Seatcover adjustable complete SB38 ST47,5 for frame +5)	1
100	1546482	(Seatcover adjustable complete SB40 ST47,5 for frame +5)	1
101	1546483	(Seatcover adjustable complete SB42 ST47,5 for frame +5)	1
102	1546484	(Seatcover adjustable complete SB44 ST47,5 for frame +5)	1
103	1546485	K-serie G3 zitting nasp 46x47,5 tbv frame + 5cm	1
104	1546486	(Seatcover adjustable complete SB48 ST47,5 for frame +5)	1
105	1546487	(Seatcover adjustable complete SB34 ST50 for frame +5)	1
106	1546488	(Seatcover adjustable complete SB36 ST50 for frame +5)	1
107	1546489	(Seatcover adjustable complete SB38 ST50 for frame +5)	1
108	1546490	(Seatcover adjustable complete SB40 ST50 for frame +5)	1
109	1546491	(Seatcover adjustable complete SB42 ST50 for frame +5)	1
110	1546492	(Seatcover adjustable complete SB44 ST50 for frame +5)	1
111	1546493	(Seatcover adjustable complete SB46 ST50 for frame +5)	1
112	1546494	K-serie G3 zitting nasp 48x50 tbv frame + 5cm	1
113	1579375	(Fixation kit seat cover)	1

(Seat frame, cover light)



1	1545951	(Seat module complete with cover light for standard frame SB34 ST37,5)	1
2	1545952	(Seat module complete with cover light for standard frame SB36 ST37,5)	1
3	1545953	(Seat module complete with cover light for standard frame SB38 ST37,5)	1
4	1545954	(Seat module complete with cover light for standard frame SB40 ST37,5)	1
5	1545955	(Seat module complete with cover light for standard frame SB42 ST37,5)	1
6	1545956	(Seat module complete with cover light for standard frame SB44 ST37,5)	1
7	1545957	(Seat module complete with cover light for standard frame SB46 ST37,5)	1
8	1545958	(Seat module complete with cover light for standard frame SB48 ST37,5)	1
9	1545959	(Seat module complete with cover light for standard frame SB34 ST40)	1
10	1545960	(Seat module complete with cover light for standard frame SB36 ST40)	1
11	1545961	(Seat module complete with cover light for standard frame SB38 ST40)	1
12	1545962	(Seat module complete with cover light for standard frame SB40 ST40)	1
13	1545963	(Seat module complete with cover light for standard frame SB42 ST40)	1
14	1545964	(Seat module complete with cover light for standard frame SB44 ST40)	1
15	1545965	(Seat module complete with cover light for standard frame SB46 ST40)	1
16	1545966	(Seat module complete with cover light for standard frame SB48 ST40)	1
17	1545967	(Seat module complete with cover light for standard frame SB34 ST42,5)	1
18	1545968	(Seat module complete with cover light for standard frame SB36 ST42,5)	1
19	1545969	(Seat module complete with cover light for standard frame SB38 ST42,5)	1
20	1545970	(Seat module complete with cover light for standard frame SB40 ST42,5)	1
21	1545971	(Seat module complete with cover light for standard frame SB42 ST42,5)	1
22	1545972	(Seat module complete with cover light for standard frame SB44 ST42,5)	1
23	1545973	(Seat module complete with cover light for standard frame SB46 ST42,5)	1
24	1545974	(Seat module complete with cover light for standard frame SB48 ST42,5)	1
25	1545975	(Seat module complete with cover light for standard frame SB34 ST45)	1
26	1545976	(Seat module complete with cover light for standard frame SB36 ST45)	1
27	1545977	(Seat module complete with cover light for standard frame SB38 ST45)	1
28	1545978	(Seat module complete with cover light for standard frame SB40 ST45)	1
29	1545979	(Seat module complete with cover light for standard frame SB42 ST45)	1
30	1545980	(Seat module complete with cover light for standard frame SB44 ST45)	1
31	1545981	(Seat module complete with cover light for standard frame SB46 ST45)	1

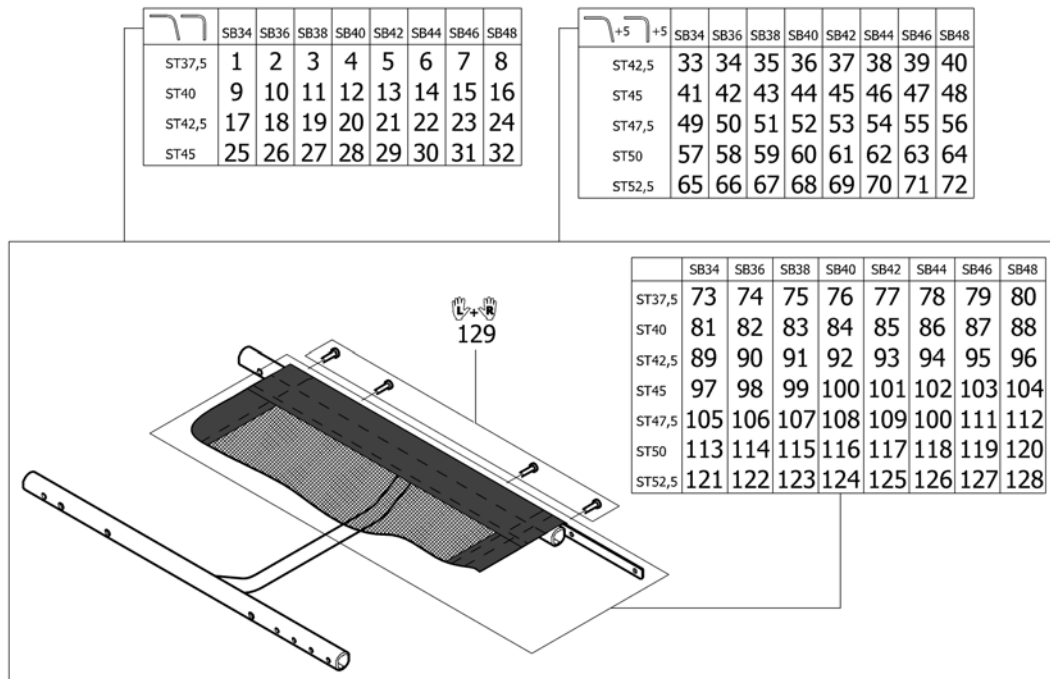
(Seat frame, cover light)

32	1545982	(Seat module complete with cover light for standard frame SB48 ST45)		1
33	1589070	(Seat module complete with cover light for frame+5 SB34 ST42,5)	01.07.2015 →	1
34	1589071	(Seat module complete with cover light for frame+5 SB36 ST42,5)	01.07.2015 →	1
35	1589072	(Seat module complete with cover light for frame+5 SB38 ST42,5)	01.07.2015 →	1
36	1589073	(Seat module complete with cover light for frame+5 SB40 ST42,5)	01.07.2015 →	1
37	1589074	(Seat module complete with cover light for frame+5 SB42 ST42,5)	01.07.2015 →	1
38	1589075	(Seat module complete with cover light for frame+5 SB44 ST42,5)	01.07.2015 →	1
39	1589076	(Seat module complete with cover light for frame+5 SB46 ST42,5)	01.07.2015 →	1
40	1589077	(Seat module complete with cover light for frame+5 SB48 ST42,5)	01.07.2015 →	1
41	1546143	(Seat module complete with cover light for frame+5 SB34 ST45)		1
42	1546144	(Seat module complete with cover light for frame+5 SB36 ST45)		1
43	1546145	(Seat module complete with cover light for frame+5 SB38 ST45)		1
44	1546146	(Seat module complete with cover light for frame+5 SB40 ST45)		1
45	1546147	(Seat module complete with cover light for frame+5 SB42 ST45)		1
46	1546148	(Seat module complete with cover light for frame+5 SB44 ST45)		1
47	1546266	(Seat module complete with cover light for frame+5 SB46 ST45)		1
48	1546267	(Seat module complete with cover light for frame+5 SB48 ST45)		1
49	1546268	(Seat module complete with cover light for frame+5 SB34 ST47,5)		1
50	1546269	(Seat module complete with cover light for frame+5 SB36 ST47,5)		1
51	1546270	(Seat module complete with cover light for frame+5 SB38 ST47,5)		1
52	1546271	(Seat module complete with cover light for frame+5 SB40 ST47,5)		1
53	1546272	(Seat module complete with cover light for frame+5 SB42 ST47,5)		1
54	1546273	(Seat module complete with cover light for frame+5 SB44 ST47,5)		1
55	1546274	(Seat module complete with cover light for frame+5 SB46 ST47,5)		1
56	1546275	(Seat module complete with cover light for frame+5 SB48 ST47,5)		1
57	1546276	(Seat module complete with cover light for frame+5 SB34 ST50)		1
58	1546277	(Seat module complete with cover light for frame+5 SB36 ST50)		1
59	1546278	(Seat module complete with cover light for frame+5 SB38 ST50)		1
60	1546279	(Seat module complete with cover light for frame+5 SB40 ST50)		1
61	1546280	(Seat module complete with cover light for frame+5 SB42 ST50)		1
62	1546281	(Seat module complete with cover light for frame+5 SB44 ST50)		1
63	1546282	(Seat module complete with cover light for frame+5 SB46 ST50)		1
64	1546283	(Seat module complete with cover light for frame+5 SB48 ST50)		1
65	1546284	(Seat module complete with cover light for frame+5 SB34 ST52,5)		1
66	1546285	(Seat module complete with cover light for frame+5 SB36 ST52,5)		1
67	1546301	(Seat module complete with cover light for frame+5 SB38 ST52,5)		1
68	1546302	(Seat module complete with cover light for frame+5 SB40 ST52,5)		1
69	1546303	(Seat module complete with cover light for frame+5 SB42 ST52,5)		1
70	1546304	(Seat module complete with cover light for frame+5 SB44 ST52,5)		1
71	1546305	(Seat module complete with cover light for frame+5 SB46 ST52,5)		1
72	1546306	(Seat module complete with cover light for frame+5 SB48 ST52,5)		1
73	1546503	(Seatcover light complete SB34 ST37,5 for frame standard)		1
74	1546504	(Seatcover light complete SB36 ST37,5 for frame standard)		1
75	1546505	(Seatcover light complete SB38 ST37,5 for frame standard)		1
76	1546506	(Seatcover light complete SB40 ST37,5 for frame standard)		1
77	1546507	(Seatcover light complete SB42 ST37,5 for frame standard)		1
78	1546508	(Seatcover light complete SB44 ST37,5 for frame standard)		1
79	1546509	(Seatcover light complete SB46 ST37,5 for frame standard)		1
80	1546510	(Seatcover light complete SB48 ST37,5 for frame standard)		1
81	1546511	(Seatcover light complete SB34 ST40 for frame standard)		1
82	1546512	(Seatcover light complete SB36 ST40 for frame standard)		1
83	1546513	(Seatcover light complete SB38 ST40 for frame standard)		1
84	1546514	(Seatcover light complete SB40 ST40 for frame standard)		1
85	1546515	(Seatcover light complete SB42 ST40 for frame standard)		1
86	1546516	(Seatcover light complete SB44 ST40 for frame standard)		1

(Seat frame, cover light)

87	1546517	(Seatcover light complete SB46 ST40 for frame standard)	1
88	1546518	(Seatcover light complete SB48 ST40 for frame standard)	1
89	1546519	(Seatcover light complete SB34 ST42,5 for frame standard)	1
90	1546520	(Seatcover light complete SB36 ST42,5 for frame standard)	1
91	1546521	(Seatcover light complete SB38 ST42,5 for frame standard)	1
92	1546522	(Seatcover light complete SB40 ST42,5 for frame standard)	1
93	1546523	(Seatcover light complete SB42 ST42,5 for frame standard)	1
94	1546524	(Seatcover light complete SB44 ST42,5 for frame standard)	1
95	1546525	(Seatcover light complete SB46 ST42,5 for frame standard)	1
96	1546526	(Seatcover light complete SB48 ST42,5 for frame standard)	1
97	1546527	(Seatcover light complete SB34 ST45 for frame standard/+5)	1
98	1546528	(Seatcover light complete SB36 ST45 for frame standard/+5)	1
99	1546529	(Seatcover light complete SB38 ST45 for frame standard/+5)	1
100	1546530	(Seatcover light complete SB40 ST45 for frame standard/+5)	1
101	1546531	(Seatcover light complete SB42 ST45 for frame standard/+5)	1
102	1546532	(Seatcover light complete SB44 ST45 for frame standard/+5)	1
103	1546533	(Seatcover light complete SB46 ST45 for frame standard/+5)	1
104	1546534	(Seatcover light complete SB48 ST45 for frame standard/+5)	1
105	1546535	(Seatcover light complete SB34 ST47,5 for frame +5)	1
106	1546536	(Seatcover light complete SB36 ST47,5 for frame +5)	1
107	1546537	(Seatcover light complete SB38 ST47,5 for frame +5)	1
108	1546538	(Seatcover light complete SB40 ST47,5 for frame +5)	1
109	1546539	(Seatcover light complete SB42 ST47,5 for frame +5)	1
110	1546540	(Seatcover light complete SB44 ST47,5 for frame +5)	1
111	1546541	(Seatcover light complete SB46 ST47,5 for frame +5)	1
112	1546542	(Seatcover light complete SB48 ST47,5 for frame +5)	1
113	1546543	(Seatcover light complete SB34 ST50 for frame +5)	1
114	1546544	(Seatcover light complete SB36 ST50 for frame +5)	1
115	1546574	(Seatcover light complete SB38 ST50 for frame +5)	1
116	1546575	(Seatcover light complete SB40 ST50 for frame +5)	1
117	1546576	(Seatcover light complete SB42 ST50 for frame +5)	1
118	1546577	(Seatcover light complete SB44 ST50 for frame +5)	1
119	1546578	(Seatcover light complete SB46 ST50 for frame +5)	1
120	1546609	(Seatcover light complete SB48 ST50 for frame +5)	1
121	1546610	(Seatcover light complete SB34 ST52,5 for frame +5)	1
122	1546659	(Seatcover light complete SB36 ST52,5 for frame +5)	1
123	1546660	(Seatcover light complete SB38 ST52,5 for frame +5)	1
124	1546661	(Seatcover light complete SB40 ST52,5 for frame +5)	1
125	1546662	(Seatcover light complete SB42 ST52,5 for frame +5)	1
126	1546663	(Seatcover light complete SB44 ST52,5 for frame +5)	1
127	1546664	(Seatcover light complete SB46 ST52,5 for frame +5)	1
128	1546665	(Seatcover light complete SB48 ST52,5 for frame +5)	1
129	1579375	(Fixation kit seat cover)	1

(Seat frame, cover light for seat upholstery bag)



1	SP1590438	(Seat module complete with seatcover light for seat upholstery bag for standard frame SB34 ST37,5)	1
2	SP1590439	(Seat module complete with seatcover light for seat upholstery bag for standard frame SB36 ST37,5)	1
3	SP1590440	(Seat module complete with seatcover light for seat upholstery bag for standard frame SB38 ST37,5)	1
4	SP1590467	(Seat module complete with seatcover light for seat upholstery bag for standard frame SB40 ST37,5)	1
5	SP1590468	(Seat module complete with seatcover light for seat upholstery bag for standard frame SB42 ST37,5)	1
6	SP1590469	(Seat module complete with seatcover light for seat upholstery bag for standard frame SB44 ST37,5)	1
7	SP1590470	(Seat module complete with seatcover light for seat upholstery bag for standard frame SB46 ST37,5)	1
8	SP1590471	(Seat module complete with seatcover light for seat upholstery bag for standard frame SB48 ST37,5)	1
9	SP1590472	(Seat module complete with seatcover light for seat upholstery bag for standard frame SB34 ST40)	1
10	SP1590473	(Seat module complete with seatcover light for seat upholstery bag for standard frame SB36 ST40)	1
11	SP1590474	(Seat module complete with seatcover light for seat upholstery bag for standard frame SB38 ST40)	1
12	SP1590475	(Seat module complete with seatcover light for seat upholstery bag for standard frame SB40 ST40)	1
13	SP1590476	(Seat module complete with seatcover light for seat upholstery bag for standard frame SB42 ST40)	1
14	SP1590477	(Seat module complete with seatcover light for seat upholstery bag for standard frame SB44 ST40)	1
15	SP1590478	(Seat module complete with seatcover light for seat upholstery bag for standard frame SB46 ST40)	1
16	SP1590479	(Seat module complete with seatcover light for seat upholstery bag for standard frame SB48 ST40)	1
17	SP1590485	(Seat module complete with seatcover light for seat upholstery bag for standard frame SB34 ST42,5)	1
18	SP1590486	(Seat module complete with seatcover light for seat upholstery bag for standard frame SB36 ST42,5)	1

(Seat frame, cover light for seat upholstery bag)

19	SP1590487	(Seat module complete with seatcover light for seat upholstery bag for standard frame SB38 ST42,5)		1
20	SP1590488	(Seat module complete with seatcover light for seat upholstery bag for standard frame SB40 ST42,5)		1
21	SP1590489	(Seat module complete with seatcover light for seat upholstery bag for standard frame SB42 ST42,5)		1
22	SP1590490	(Seat module complete with seatcover light for seat upholstery bag for standard frame SB44 ST42,5)		1
23	SP1590491	(Seat module complete with seatcover light for seat upholstery bag for standard frame SB46 ST42,5)		1
24	SP1590492	(Seat module complete with seatcover light for seat upholstery bag for standard frame SB48 ST42,5)		1
25	SP1590493	(Seat module complete with seatcover light for seat upholstery bag for standard frame SB34 ST45)		1
26	SP1590494	(Seat module complete with seatcover light for seat upholstery bag for standard frame SB36 ST45)		1
27	SP1590495	(Seat module complete with seatcover light for seat upholstery bag for standard frame SB38 ST45)		1
28	SP1590496	(Seat module complete with seatcover light for seat upholstery bag for standard frame SB40 ST45)		1
29	SP1590497	(Seat module complete with seatcover light for seat upholstery bag for standard frame SB42 ST45)		1
30	SP1590498	(Seat module complete with seatcover light for seat upholstery bag for standard frame SB44 ST45)		1
31	SP1590499	(Seat module complete with seatcover light for seat upholstery bag for standard frame SB46 ST45)		1
32	SP1590500	(Seat module complete with seatcover light for seat upholstery bag for standard frame SB48 ST45)		1
33	SP1590849	(Seat module complete with seatcover light for seat upholstery bag for frame+5 SB34 ST42,5)	01.07.2015 →	1
34	SP1590984	(Seat module complete with seatcover light for seat upholstery bag for frame+5 SB36 ST42,5)	01.07.2015 →	1
35	SP1590985	(Seat module complete with seatcover light for seat upholstery bag for frame+5 SB38 ST42,5)	01.07.2015 →	1
36	SP1590986	(Seat module complete with seatcover light for seat upholstery bag for frame+5 SB40 ST42,5)	01.07.2015 →	1
37	SP1590987	(Seat module complete with seatcover light for seat upholstery bag for frame+5 SB42 ST42,5)	01.07.2015 →	1
38	SP1590988	(Seat module complete with seatcover light for seat upholstery bag for frame+5 SB44 ST42,5)	01.07.2015 →	1
39	SP1591179	(Seat module complete with seatcover light for seat upholstery bag for frame+5 SB46 ST42,5)	01.07.2015 →	1
40	SP1591180	(Seat module complete with seatcover light for seat upholstery bag for frame+5 SB48 ST42,5)	01.07.2015 →	1
41	SP1591271	(Seat module complete with seatcover light for seat upholstery bag for frame+5 SB34 ST45)		1
42	SP1591272	(Seat module complete with seatcover light for seat upholstery bag for frame+5 SB36 ST45)		1
43	SP1591273	(Seat module complete with seatcover light for seat upholstery bag for frame+5 SB38 ST45)		1
44	SP1591274	(Seat module complete with seatcover light for seat upholstery bag for frame+5 SB40 ST45)		1
45	SP1591275	(Seat module complete with seatcover light for seat upholstery bag for frame+5 SB42 ST45)		1
46	SP1591276	(Seat module complete with seatcover light for seat upholstery bag for frame+5 SB44 ST45)		1
47	SP1591277	(Seat module complete with seatcover light for seat upholstery bag for frame+5 SB46 ST45)		1
48	SP1591278	(Seat module complete with seatcover light for seat upholstery bag for frame+5 SB48 ST45)		1
49	SP1591285	(Seat module complete with seatcover light for seat upholstery bag for frame+5 SB34 ST47,5)		1

(Seat frame, cover light for seat upholstery bag)

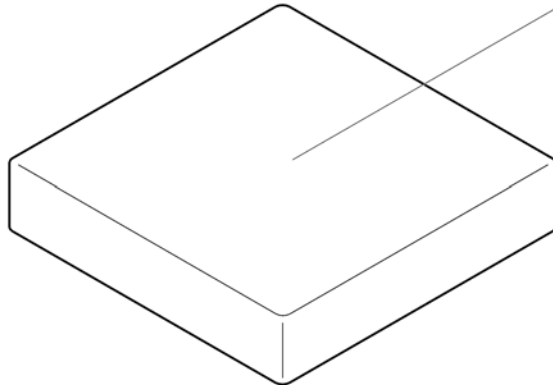
50	SP1591286	(Seat module complete with seatcover light for seat upholstery bag for frame+5 SB36 ST47,5)	1
51	SP1591287	(Seat module complete with seatcover light for seat upholstery bag for frame+5 SB38 ST47,5)	1
52	SP1591288	(Seat module complete with seatcover light for seat upholstery bag for frame+5 SB40 ST47,5)	1
53	SP1591289	(Seat module complete with seatcover light for seat upholstery bag for frame+5 SB42 ST47,5)	1
54	SP1591302	(Seat module complete with seatcover light for seat upholstery bag for frame+5 SB44 ST47,5)	1
55	SP1601568	(Seat module complete with seatcover light for seat upholstery bag for frame+5 SB46 ST47,5)	1
56	SP1601569	(Seat module complete with seatcover light for seat upholstery bag for frame+5 SB48 ST47,5)	1
57	SP1601570	(Seat module complete with seatcover light for seat upholstery bag for frame+5 SB34 ST50)	1
58	SP1601571	(Seat module complete with seatcover light for seat upholstery bag for frame+5 SB36 ST50)	1
59	SP1601572	(Seat module complete with seatcover light for seat upholstery bag for frame+5 SB38 ST50)	1
60	SP1601573	(Seat module complete with seatcover light for seat upholstery bag for frame+5 SB40 ST50)	1
61	SP1601574	(Seat module complete with seatcover light for seat upholstery bag for frame+5 SB42 ST50)	1
62	SP1601575	(Seat module complete with seatcover light for seat upholstery bag for frame+5 SB44 ST50)	1
63	SP1601576	(Seat module complete with seatcover light for seat upholstery bag for frame+5 SB46 ST50)	1
64	SP1601577	(Seat module complete with seatcover light for seat upholstery bag for frame+5 SB48 ST50)	1
65	SP1601578	(Seat module complete with seatcover light for seat upholstery bag for frame+5 SB34 ST52,5)	1
66	SP1601579	(Seat module complete with seatcover light for seat upholstery bag for frame+5 SB36 ST52,5)	1
67	SP1601580	(Seat module complete with seatcover light for seat upholstery bag for frame+5 SB38 ST52,5)	1
68	SP1601581	(Seat module complete with seatcover light for seat upholstery bag for frame+5 SB40 ST52,5)	1
69	SP1601582	(Seat module complete with seatcover light for seat upholstery bag for frame+5 SB42 ST52,5)	1
70	SP1601583	(Seat module complete with seatcover light for seat upholstery bag for frame+5 SB44 ST52,5)	1
71	SP1601627	(Seat module complete with seatcover light for seat upholstery bag for frame+5 SB46 ST52,5)	1
72	SP1601730	(Seat module complete with seatcover light for seat upholstery bag for frame+5 SB48 ST52,5)	1
73	SP1590126	(Seatcover light for Seat upholstery bag complete SB34 ST37,5 for frame standard)	1
74	SP1590127	(Seatcover light for Seat upholstery bag complete SB36 ST37,5 for frame standard)	1
75	SP1590128	(Seatcover light for Seat upholstery bag complete SB38 ST37,5 for frame standard)	1
76	SP1590129	(Seatcover light for Seat upholstery bag complete SB40 ST37,5 for frame standard)	1
77	SP1590217	(Seatcover light for Seat upholstery bag complete SB42 ST37,5 for frame standard)	1
78	SP1590218	(Seatcover light for Seat upholstery bag complete SB44 ST37,5 for frame standard)	1
79	SP1590219	(Seatcover light for Seat upholstery bag complete SB46 ST37,5 for frame standard)	1
80	SP1590220	(Seatcover light for Seat upholstery bag complete SB48 ST37,5 for frame standard)	1

(Seat frame, cover light for seat upholstery bag)

81	SP1590221	(Seatcover light for Seat upholstery bag complete SB34 ST40 for frame standard)	1
82	SP1590222	(Seatcover light for Seat upholstery bag complete SB36 ST40 for frame standard)	1
83	SP1590223	(Seatcover light for Seat upholstery bag complete SB38 ST40 for frame standard)	1
84	SP1590224	(Seatcover light for Seat upholstery bag complete SB40 ST40 for frame standard)	1
85	SP1590225	(Seatcover light for Seat upholstery bag complete SB42 ST40 for frame standard)	1
86	SP1590226	(Seatcover light for Seat upholstery bag complete SB44 ST40 for frame standard)	1
87	SP1590267	(Seatcover light for Seat upholstery bag complete SB46 ST40 for frame standard)	1
88	SP1590268	(Seatcover light for Seat upholstery bag complete SB48 ST40 for frame standard)	1
89	SP1590269	(Seatcover light for Seat upholstery bag complete SB34 ST42,5 for frame standard)	1
90	SP1590270	(Seatcover light for Seat upholstery bag complete SB36 ST42,5 for frame standard)	1
91	SP1590271	(Seatcover light for Seat upholstery bag complete SB38 ST42,5 for frame standard)	1
92	SP1590304	(Seatcover light for Seat upholstery bag complete SB40 ST42,5 for frame standard)	1
93	SP1590305	(Seatcover light for Seat upholstery bag complete SB42 ST42,5 for frame standard)	1
94	SP1590306	(Seatcover light for Seat upholstery bag complete SB44 ST42,5 for frame standard)	1
95	SP1590307	(Seatcover light for Seat upholstery bag complete SB46 ST42,5 for frame standard)	1
96	SP1590308	(Seatcover light for Seat upholstery bag complete SB48 ST42,5 for frame standard)	1
97	SP1590309	(Seatcover light for Seat upholstery bag complete SB34 ST45 for frame standard/+5)	1
98	SP1590310	(Seatcover light for Seat upholstery bag complete SB36 ST45 for frame standard/+5)	1
99	SP1590311	(Seatcover light for Seat upholstery bag complete SB38 ST45 for frame standard/+5)	1
100	SP1590312	(Seatcover light for Seat upholstery bag complete SB40 ST45 for frame standard/+5)	1
101	SP1590313	(Seatcover light for Seat upholstery bag complete SB42 ST45 for frame standard/+5)	1
102	SP1590314	(Seatcover light for Seat upholstery bag complete SB44 ST45 for frame standard/+5)	1
103	SP1590315	(Seatcover light for Seat upholstery bag complete SB46 ST45 for frame standard/+5)	1
104	SP1590316	(Seatcover light for Seat upholstery bag complete SB48 ST45 for frame standard/+5)	1
105	SP1590317	(Seatcover light for Seat upholstery bag complete SB34 ST47,5 for frame +5)	1
106	SP1590318	(Seatcover light for Seat upholstery bag complete SB36 ST47,5 for frame +5)	1
107	SP1590319	(Seatcover light for Seat upholstery bag complete SB38 ST47,5 for frame +5)	1
108	SP1590320	(Seatcover light for Seat upholstery bag complete SB40 ST47,5 for frame +5)	1
109	SP1590321	(Seatcover light for Seat upholstery bag complete SB42 ST47,5 for frame +5)	1
110	SP1590322	(Seatcover light for Seat upholstery bag complete SB44 ST47,5 for frame +5)	1
111	SP1590323	(Seatcover light for Seat upholstery bag complete SB46 ST47,5 for frame +5)	1

(Seat frame, cover light for seat upholstery bag)

112	SP1590324	(Seatcover light for Seat upholstery bag complete SB48 ST47,5 for frame +5)	1
113	SP1590325	(Seatcover light for Seat upholstery bag complete SB34 ST50 for frame +5)	1
114	SP1590326	(Seatcover light for Seat upholstery bag complete SB36 ST50 for frame +5)	1
115	SP1590327	(Seatcover light for Seat upholstery bag complete SB38 ST50 for frame +5)	1
116	SP1590328	(Seatcover light for Seat upholstery bag complete SB40 ST50 for frame +5)	1
117	SP1590329	(Seatcover light for Seat upholstery bag complete SB42 ST50 for frame +5)	1
118	SP1590330	(Seatcover light for Seat upholstery bag complete SB44 ST50 for frame +5)	1
119	SP1590331	(Seatcover light for Seat upholstery bag complete SB46 ST50 for frame +5)	1
120	SP1590332	(Seatcover light for Seat upholstery bag complete SB48 ST50 for frame +5)	1
121	SP1590333	(Seatcover light for Seat upholstery bag complete SB34 ST52,5 for frame +5)	1
122	SP1590334	(Seatcover light for Seat upholstery bag complete SB36 ST52,5 for frame +5)	1
123	SP1590382	(Seatcover light for Seat upholstery bag complete SB38 ST52,5 for frame +5)	1
124	SP1590407	(Seatcover light for Seat upholstery bag complete SB40 ST52,5 for frame +5)	1
125	SP1590408	(Seatcover light for Seat upholstery bag complete SB42 ST52,5 for frame +5)	1
126	SP1590409	(Seatcover light for Seat upholstery bag complete SB44 ST52,5 for frame +5)	1
127	SP1590410	(Seatcover light for Seat upholstery bag complete SB46 ST52,5 for frame +5)	1
128	SP1590411	(Seatcover light for Seat upholstery bag complete SB48 ST52,5 for frame +5)	1
129	1579375	(Fixation kit seat cover)	1



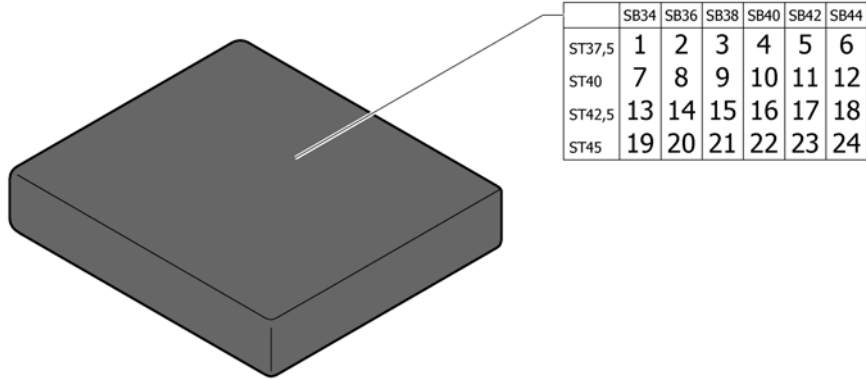
	SB32	SB34	SB36	SB38	SB40	SB42	SB44	SB46	SB48	SB50
ST35	1	2	3	4	5	6	7	8	9	10
ST37,5	11	12	4	13	14	15	16	17	18	19
ST40	20	21	5	14	22	23	24	25	26	27
ST42,5	28	29	7	16	24	30	31	32	33	34
ST45	35	36	8	17	25	37	32	38	39	40
ST47,5	41	42	9	18	26	43	33	39	44	45
ST50	46	47	10	19	27	48	34	40	45	49
ST52,5	50	51	52	53	54	55	56	57	58	59

1	1556316	(Seat cushion 320mm x 360mm)	1
2	1556326	(Seat cushion 340mm x 360mm)	1
3	1556335	(Seat cushion 360mm x 360mm)	1
4	1556336	(Seat cushion 360mm x 380mm)	1
5	1556337	Kusch zitkussen 36x40 40x36 zwart cpl	1
6	1556338	(Seat cushion 360mm x 420mm)	1
7	1556339	(Seat cushion 360mm x 440mm)	1
8	1556340	(Seat cushion 360mm x 460mm)	1
9	1556341	(Seat cushion 360mm x 480mm)	1
10	1556342	(Seat cushion 360mm x 500mm)	1
11	1556317	(Seat cushion 320mm x 380mm)	1
12	1556327	Kusch zitkussen 34x38 ps	1
13	1556344	Kusch zitkussen 38x38 ps	1
14	1556345	Kusch zitkussen 38x40 / 40x38 zwart cpl	1
15	1556346	(Seat cushion 380mm x 420mm)	1
16	1556347	Kusch zitkussen 44x38/ 38x44 zwart cpl	1
17	1556348	Kusch zitkussen 38x46/ 46x38 zwart cpl	1
18	1556349	(Seat cushion 380mm x 480mm)	1
19	1556350	(Seat cushion 380mm x 500mm)	1
20	1556318	(Seat cushion 320mm x 400mm)	1
21	1556328	Kusch zitkussen 34x40 ps	1
22	1556352	(Seat cushion 400mm x 400mm)	1
23	1556353	Kusch zitkussen 40x42/ 42x40 zwart cpl	1
24	1556354	Kusch zitkussen 40x44 ps	1
25	1556355	Kusch zitkussen 46x40	1
26	1556356	Kusch zitkussen 40x48 48x40 zwart cpl	1
27	1556357	Kusch zitkussen 40x50cm	1
28	1556320	(Seat cushion 320mm x 440mm)	1
29	1556330	(Seat cushion 340mm x 440mm)	1
30	1556360	Kusch zitkussen 42x44/ 44x42 cpl ps	1
31	1556365	Kusch zitkussen 44x44 ps	1

(Seat cushion standard)

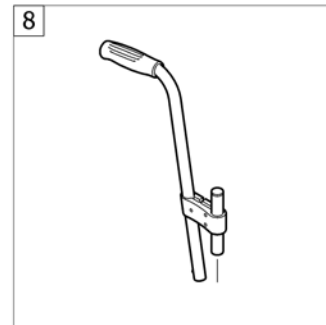
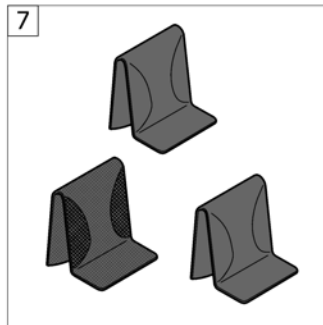
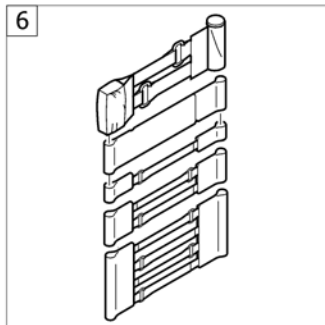
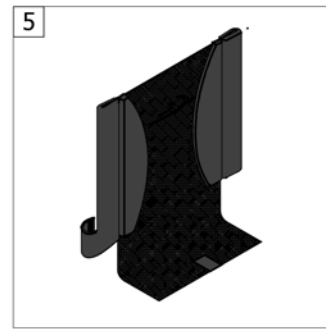
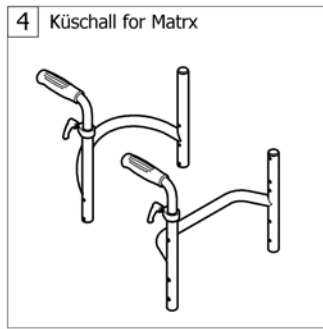
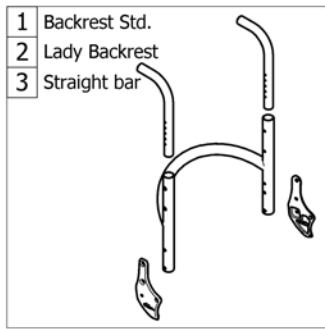
32	1556366	Kusch zitkussen 44x46 ps	1
33	1556367	(Seat cushion 440mm x 480mm)	1
34	1556368	(Seat cushion 440mm x 500mm)	1
35	1556321	(Seat cushion 320mm x 460mm)	1
36	1556331	(Seat cushion 340mm x 460mm)	1
37	1556361	(Seat cushion 420mm x 460mm)	1
38	1556370	Kusch zitkussen 46x46 ps	1
39	1556371	(Seat cushion 460mm x 480mm)	1
40	1556372	(Seat cushion 460mm x 500mm)	1
41	1556322	(Seat cushion 320mm x 480mm)	1
42	1556332	(Seat cushion 340mm x 480mm)	1
43	1556362	Kusch zitkussen 42x48 ps	1
44	1556374	(Seat cushion 480mm x 480mm)	1
45	1556375	Kusch zitkussen 48x50 50x48 ps	1
46	1556323	(Seat cushion 320mm x 500mm)	1
47	1556333	(Seat cushion 340mm x 500mm)	1
48	1556363	Kusch zitkussen 42x50 ps	1
49	1556377	(Seat cushion 500mm x 500mm)	1
50	1556324	(Seat cushion 320mm x 520mm)	1
51	1556334	(Seat cushion 340mm x 520mm)	1
52	1556343	(Seat cushion 360mm x 520mm)	1
53	1556351	(Seat cushion 380mm x 520mm)	1
54	1556358	(Seat cushion 400mm x 520mm)	1
55	1556364	(Seat cushion 420mm x 520mm)	1
56	1556369	(Seat cushion 440mm x 520mm)	1
57	1556373	(Seat cushion 460mm x 520mm)	1
58	1556376	(Seat cushion 480mm x 520mm)	1
59	1556378	(Seat cushion 500mm x 520mm)	1

(Seat cushion Alcantara)



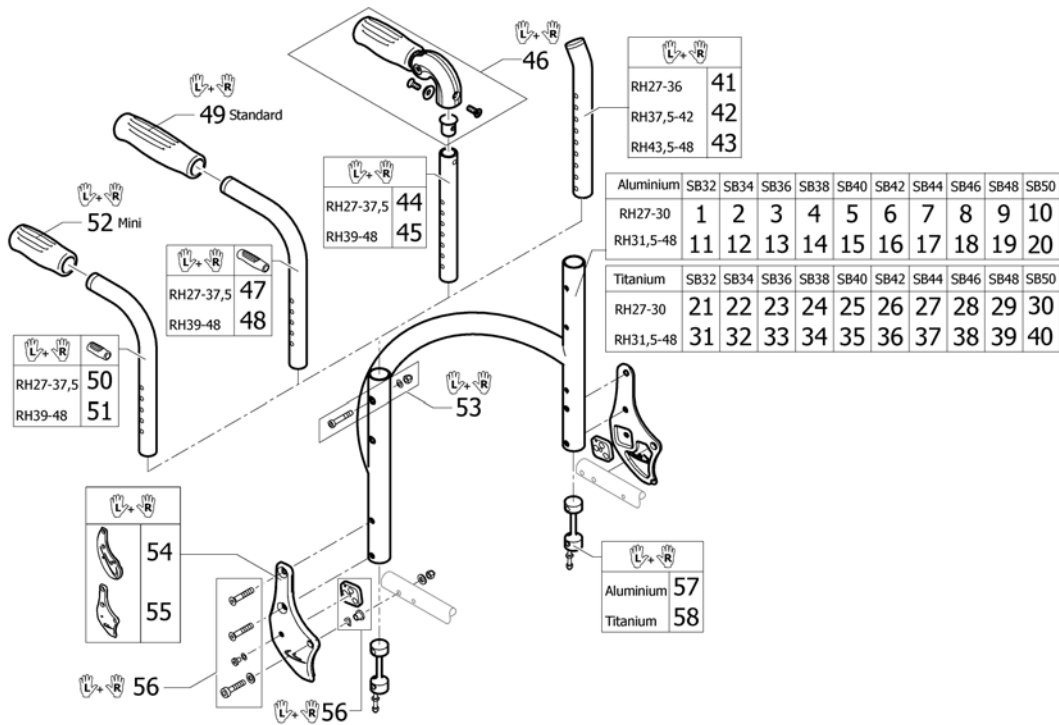
1	1517144	(Seat cushion SB34 ST37.5 Alcantara black R33)	1
2	1517145	(Seat cushion SB36 ST37.5 Alcantara black R33)	1
3	1517146	(Seat cushion SB38 ST37.5 Alcantara black R33)	1
4	1517147	(Seat cushion SB40 ST37.5 Alcantara black R33)	1
5	1517148	(Seat cushion SB42 ST37.5 Alcantara black R33)	1
6	1517169	(Seat cushion SB44 ST37.5 Alcantara black R33)	1
7	1517170	(Seat cushion SB34 ST40 Alcantara black R33)	1
8	1517171	(Seat cushion SB36 ST40 Alcantara black R33)	1
9	1517172	(Seat cushion SB38 ST40 Alcantara black R33)	1
10	1517173	(Seat cushion SB40 ST40 Alcantara black R33)	1
11	1517174	(Seat cushion SB42 ST40 Alcantara black R33)	1
12	1517175	(Seat cushion SB44 ST40 Alcantara black R33)	1
13	1517176	(Seat cushion SB34 ST42.5 Alcantara black R33)	1
14	1517177	(Seat cushion SB36 ST42.5 Alcantara black R33)	1
15	1517178	(Seat cushion SB38 ST42.5 Alcantara black R33)	1
16	1517182	(Seat cushion SB40 ST42.5 Alcantara black R33)	1
17	1517183	(Seat cushion SB42 ST42.5 Alcantara black R33)	1
18	1517184	(Seat cushion SB44 ST42.5 Alcantara black R33)	1
19	1517185	(Seat cushion SB34 ST45 Alcantara black R33)	1
20	1517186	(Seat cushion SB36 ST45 Alcantara black R33)	1
21	1517187	(Seat cushion SB38 ST45 Alcantara black R33)	1
22	1517188	(Seat cushion SB40 ST45 Alcantara black R33)	1
23	1517189	(Seat cushion SB42 ST45 Alcantara black R33)	1
24	1517190	Kusch zitkussen 44x45 alcantara zwart	1

(BACKREST)



1	-	(Backrest (rounded bar))		1
2	-	(Lady backrest)	01.07.2012 →	1
3	-	(Straight bar backrest)	01.07.2014 →	1
4	-	(Küschall backrest parts for Matrix backs)		1
5	-	(Backrest cover light)		1
6	-	(Bands to adjustable backrest)		1
7	-	(Cover to adjustable backrest)		1
8	-	(Push handles, height adjustable, rear set)		1

(Backrest (rounded bar))

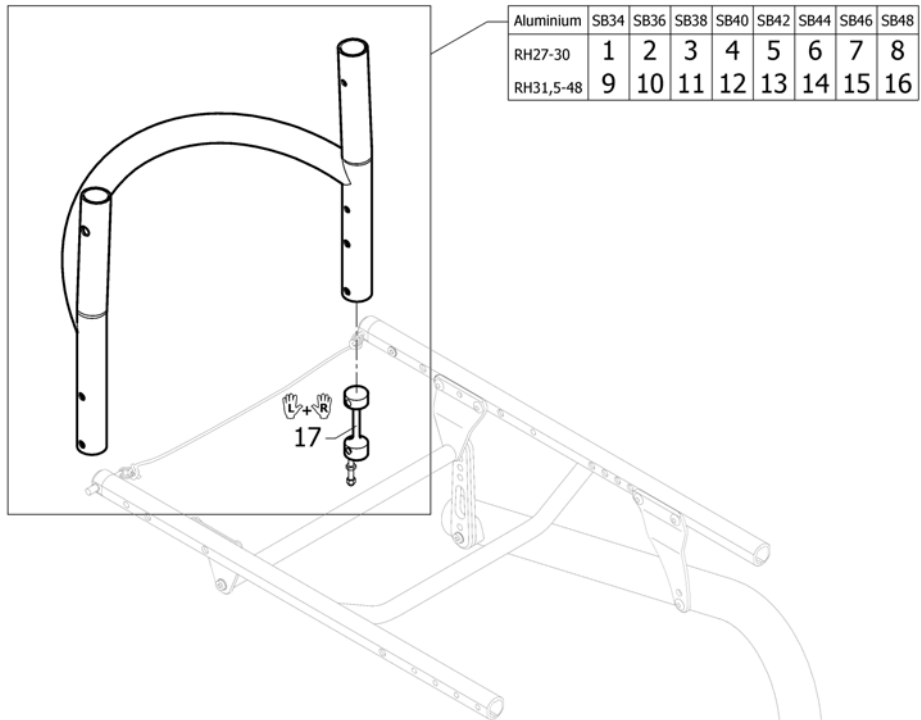


1	SP1638121	(Backrest tube Alu SB32 short)	1
2	1546694	(Backrest tube Alu SB34 short)	1
3	1546695	(Backrest tube Alu SB36 short)	1
4	1546696	K-Serie G3 rugframe alu ZB38 RH27-30 cpl ps	1
5	1546697	(Backrest tube Alu SB40 short)	1
6	1546698	(Backrest tube Alu SB42 short)	1
7	1546699	(Backrest tube Alu SB44 short)	1
8	1546700	(Backrest tube Alu SB46 short)	1
9	1546701	(Backrest tube Alu SB48 short)	1
10	SP1638122	(Backrest tube Alu SB50 short)	1
11	SP1638123	(Backrest tube Alu SB32 Long)	1
12	1546702	(Backrest tube Alu SB34 Long)	1
13	1546739	K-Serie G3 rugframe alu zb36 rh31,5-48 cpl ps	1
14	1546740	K-Serie G3 rugframe alu zb38 rh31,5-48 cpl ps	1
15	1546741	K-Serie G3 rugframe alu zb40 rh31, 5-48 cpl ps	1
16	1546806	(Backrest tube Alu SB42 Long)	1
17	1546807	K-Serie G3 rugframe alu zb44 rh31,5-48 cpl ps	1
18	1546808	K-Serie G3 rugframe alu zb46 rh31,5-48 cpl ps	1
19	1546809	K-Serie G3 rugframe alu ZB48 RH31,5-48 cpl ps	1
20	SP1638124	(Backrest tube Alu SB50 Long)	1
21	SP1638125	(Backrest tube Titan SB32 short)	1
22	1546810	(Backrest tube Titan SB34 short)	1
23	1546811	(Backrest tube Titan SB36 short)	1
24	1546812	(Backrest tube Titan SB38 short)	1
25	1546813	(Backrest tube Titan SB40 short)	1
26	1546814	(Backrest tube Titan SB42 short)	1
27	1546815	(Backrest tube Titan SB44 short)	1
28	1546816	(Backrest tube Titan SB46 short)	1
29	1546817	(Backrest tube Titan SB48 short)	1
30	SP1638126	(Backrest tube Titan SB50 short)	1
31	SP1638127	(Backrest tube Titan SB32 Long)	1

(Backrest (rounded bar))

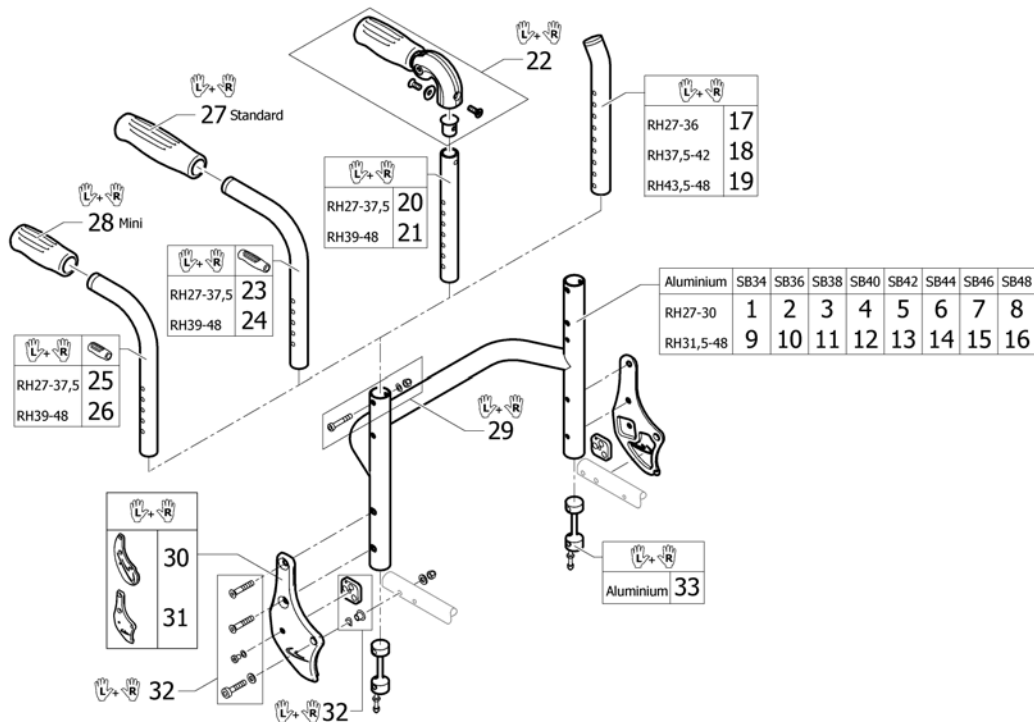
32	1546818	(Backrest tube Titan SB34 Long)		1
33	1546819	(Backrest tube Titan SB36 Long)		1
34	1546820	(Backrest tube Titan SB38 Long)		1
35	1546821	(Backrest tube Titan SB40 Long)		1
36	1546822	(Backrest tube Titan SB42 Long)		1
37	1546823	K-Serie G3 rugframe tit. zb44 rh31,5-48 cpl ps		1
38	1546824	Kusch rugfr.tit zb46 rh 31,5-48 K-Serie/Adv		1
39	1546825	(Backrest tube Titan SB48 Long)		1
40	SP1638128	(Backrest tube Titan SB50 Long)		1
41	1546913	K-Serie rugb.short pp rh28-36,5cm		1
42	1546914	K-Serie rugb.medium pp rh37,5-42cm K-Ser/Adv		1
43	1546946	K-Serie G3 rugb.telesc. lang rh43,5-48 pp		1
44	1524956	Kusch rugfr.verlenger kort tbv duwh.inklpb.pp		1
45	1525121	Kusch rugfr.verlenger med.tbv duwh.inklapb.pp		1
46	1507733	Kusch.duwh.neerklapb. pp		1
47	1525122	Kusch duwh.tbv.rugframe kort pp ex.rubbers		1
48	1525123	Kusch duwh.tbv.rugframe lang pp ex rubbers		1
49	1507734	Kusch duwh.rubber zwart ps		1
50	1525124	(Backrest tube mini, short, pair)		1
51	1525125	(Backrest tube mini, long, pair)		1
52	1525126	Kusch duw handvat rubber mini pp		1
53	1546947	(Screw kit for backrest tube)		1
54	1546951-0004	(Backrest joint plate, pair, black anodized)	→ 31.01.2017	1
54	1546951-0001	(Backrest joint plate, pair, chrome)	→ 31.01.2017	1
54	1546951-0182	(Backrest joint plate, pair, champagne)	→ 31.01.2017	1
54	1546951-0183	(Backrest joint plate, pair, olive)	→ 31.01.2017	1
54	1546951-0400	(Backrest joint plate, pair, techno-anthrazit)	→ 31.01.2017	1
54	1546951-0401	(Backrest joint plate, pair, lemon)	→ 31.12.2012	1
54	1546951-0402	(Backrest joint plate, pair, apricot)	→ 31.12.2012	1
54	1546951-0404	(Backrest joint plate, pair, b-blue)	→ 31.01.2017	1
54	1546951-0440	(Backrest joint plate, pair, comet red)	→ 31.01.2017	1
54	1546951-0444	(Backrest joint plate, pair, copper glaze)	→ 31.01.2017	1
54	1546951-0441	(Backrest joint plate, pair, arctic blue)	→ 31.01.2017	1
55	SP1638129-0004	(Backrest joint plate, pair, black anodized)	01.02.2017 →	1
55	SP1638129-0001	(Backrest joint plate, pair, chrome)	01.02.2017 →	1
55	SP1638129-0400	(Backrest joint plate, pair, techno-anthrazit)	01.02.2017 →	1
55	SP1638129-0440	(Backrest joint plate, pair, comet red)	01.02.2017 →	1
55	SP1638129-0444	(Backrest joint plate, pair, copper glaze)	01.02.2017 →	1
55	SP1638129-0182	(Backrest joint plate, pair, champagne)	01.02.2017 →	1
55	SP1638129-0404	(Backrest joint plate, pair, b-blue)	01.02.2017 →	1
55	SP1638129-0441	(Backrest joint plate, pair, arctic blue)	01.02.2017 →	1
55	SP1638129-0183	(Backrest joint plate, pair, olive)	01.02.2017 →	1
56	1546950	K-Serie G3 rugframe bev. vierkant moer+bus ps		1
57	1546948	K-Serie G3 rughoekverst. stift pp		1
58	1546949	(Sleeves for backrest tube Titan, pair complete)		1

(Lady backrest)



1	1563800	(Lady backrest tube Alu SB34 short)	1
2	1563801	(Lady backrest tube Alu SB36 short)	1
3	1563802	(Lady backrest tube Alu SB38 short)	1
4	1563803	(Lady backrest tube Alu SB40 short)	1
5	1563804	(Lady backrest tube Alu SB42 short)	1
6	1563805	(Lady backrest tube Alu SB44 short)	1
7	1563806	(Lady backrest tube Alu SB46 short)	1
8	1563807	(Lady backrest tube Alu SB48 short)	1
9	1563808	(Lady backrest tube Alu SB34 long)	1
10	1563809	(Lady backrest tube Alu SB36 long)	1
11	1563810	(Lady backrest tube Alu SB38 long)	1
12	1563811	(Lady backrest tube Alu SB40 long)	1
13	1563812	(Lady backrest tube Alu SB42 long)	1
14	1563813	(Lady backrest tube Alu SB44 long)	1
15	1563814	(Lady backrest tube Alu SB46 long)	1
16	1563815	(Lady backrest tube Alu SB48 long)	1
17	1546948	K-Serie G3 rughoekverst. stift pp	1

(Straight bar backrest)

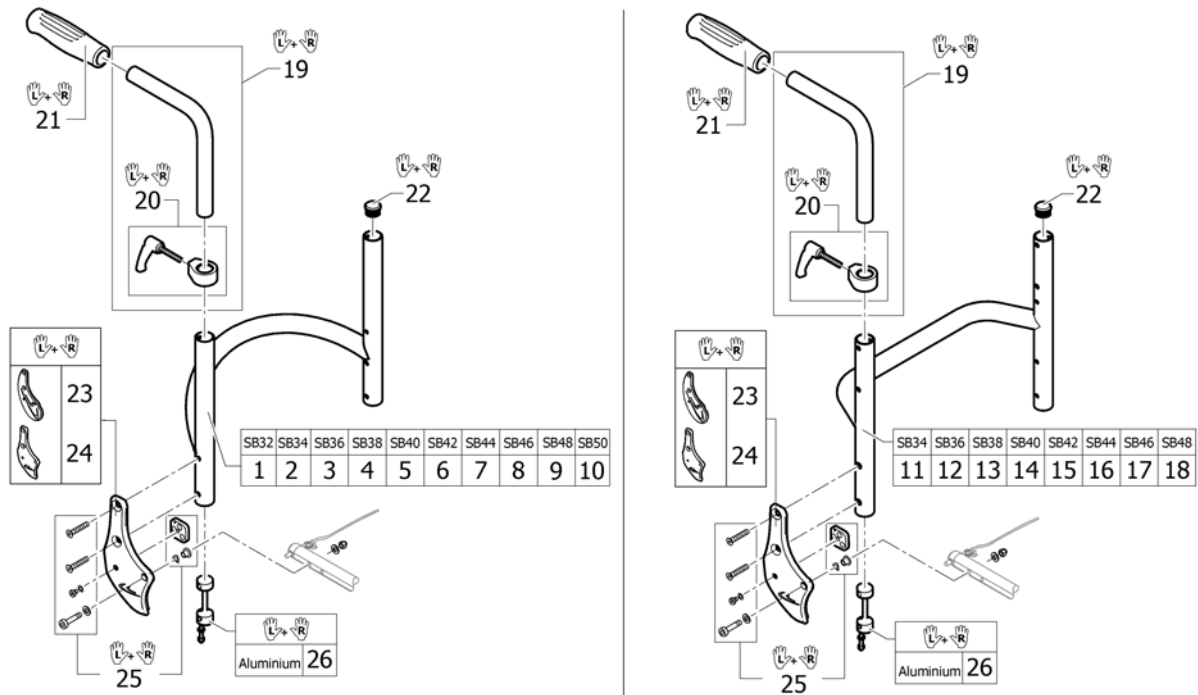


1	1582690	(Straight bar backrest tube Alu SB34 short)	1
2	1582691	(Straight bar backrest tube Alu SB36 short)	1
3	1582692	(Straight bar backrest tube Alu SB38 short)	1
4	1582693	(Straight bar backrest tube Alu SB40 short)	1
5	1582694	(Straight bar backrest tube Alu SB42 short)	1
6	1582695	(Straight bar backrest tube Alu SB44 short)	1
7	1582696	(Straight bar backrest tube Alu SB46 short)	1
8	1582697	(Straight bar backrest tube Alu SB48 short)	1
9	1582698	(Straight bar backrest tube Alu SB34 Long)	1
10	1582699	(Straight bar backrest tube Alu SB36 Long)	1
11	1582700	K-Series rugframe recht RH31,5-48 ZB38 G3/At	1
12	1582701	K-Series rugframe recht RH32,5-48 ZB40 G3/At	1
13	1582702	(Straight bar backrest tube Alu SB42 Long)	1
14	1582703	(Straight bar backrest tube Alu SB44 Long)	1
15	1582704	K-Serie rugframe recht RH31,5-48 ZB46 G3/At	1
16	1582732	(Straight bar backrest tube Alu SB48 Long)	1
17	1546913	K-Serie rugb.short pp rh28-36,5cm	1
18	1546914	K-Serie rugb.medium pp rh37,5-42cm K-Ser/Adv	1
19	1546946	K-Serie G3 rugb.telesc. lang rh43,5-48 pp	1
20	1524956	Kusch rugfr.verlenger kort tbv duwh.inklppb.pp	1
21	1525121	Kusch rugfr.verlenger med.tbv duwh.inklappb.pp	1
22	1507733	Kusch.duwh.neerklapb. pp	1
23	1525122	Kusch duwh.tbv.rugframe kort pp ex.rubbers	1
24	1525123	Kusch duwh.tbv.rugframe lang pp ex rubbers	1
25	1525124	(Backrest tube mini, short, pair)	1
26	1525125	(Backrest tube mini, long, pair)	1
27	1507734	Kusch duwh.rubber zwart ps	1
28	1525126	Kusch duw handvat rubber mini pp	1
29	1546947	(Screw kit for backrest tube)	1
30	1582733-0004	(Backrest joint plate, pair, black anodized)	→ 31.01.2017
31	SP1638129-0004	(Backrest joint plate, pair, black anodized)	01.02.2017 →

(Straight bar backrest)

31	SP1638129-0001	(Backrest joint plate, pair, chrome)	01.02.2017 →	1
31	SP1638129-0400	(Backrest joint plate, pair, techno-anthrazit)	01.02.2017 →	1
31	SP1638129-0440	(Backrest joint plate, pair, comet red)	01.02.2017 →	1
31	SP1638129-0444	(Backrest joint plate, pair, copper glaze)	01.02.2017 →	1
31	SP1638129-0182	(Backrest joint plate, pair, champagne)	01.02.2017 →	1
31	SP1638129-0404	(Backrest joint plate, pair, b-blue)	01.02.2017 →	1
31	SP1638129-0441	(Backrest joint plate, pair, arctic blue)	01.02.2017 →	1
31	SP1638129-0183	(Backrest joint plate, pair, olive)	01.02.2017 →	1
32	1546950	K-Serie G3 rugframe bev. vierkant moer+bus ps		1
33	1546948	K-Serie G3 rughoekverst. stift pp		1

(Küschall backrest parts for Matrix backs)

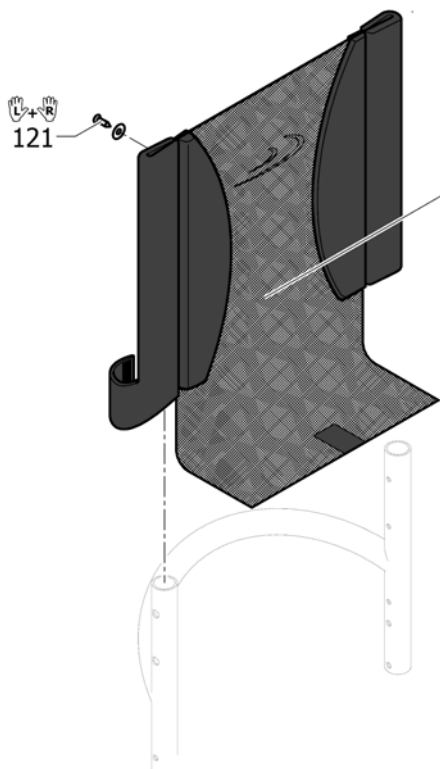


1	SP1638136	(Backrest SB32 for fixed backrest)		1
2	1560914	(Backrest SB34 for fixed backrest)		1
3	1561012	(Backrest SB36 for fixed backrest)		1
4	1561013	(Backrest SB38 for fixed backrest)		1
5	1561014	(Backrest SB40 for fixed backrest)		1
6	1561015	(Backrest SB42 for fixed backrest)		1
7	1561016	(Backrest SB44 for fixed backrest)		1
8	1561017	(Backrest SB46 for fixed backrest)		1
9	1564344	(Backrest SB48 for fixed backrest)		1
10	SP1638137	(Backrest SB50 for fixed backrest)		1
11	1582698	(Straight bar backrest tube Alu SB34 Long)	01.01.2016 →	1
12	1582699	(Straight bar backrest tube Alu SB36 Long)	01.01.2016 →	1
13	1582700	K-Series rugframe recht RH31,5-48 ZB38 G3/At	01.01.2016 →	1
14	1582701	K-Series rugframe recht RH32,5-48 ZB40 G3/At	01.01.2016 →	1
15	1582702	(Straight bar backrest tube Alu SB42 Long)	01.01.2016 →	1
16	1582703	(Straight bar backrest tube Alu SB44 Long)	01.01.2016 →	1
17	1582704	K-Serie rugframe recht RH31,5-48 ZB46 G3/At	01.01.2016 →	1
18	1582732	(Straight bar backrest tube Alu SB48 Long)	01.01.2016 →	1
19	1438203	Kusch duwh.i.h.v.kort geint.pp.Compact/Ultra		1
20	1549985	Kusch duwh.h.i.vergrend eling tbv.Co/UI >2009 pp		1
21	1507734	Kusch duwh.rubber zwart ps		1
22	1561018	(Tube plug Ø24mm, pair)		1
23	1546951-0004	(Backrest joint plate, pair, black anodized)	→ 31.01.2017	1
23	1546951-0001	(Backrest joint plate, pair, chrome)	→ 31.01.2017	1
23	1546951-0400	(Backrest joint plate, pair, techno-anthrazit)	→ 31.01.2017	1
23	1546951-0440	(Backrest joint plate, pair, comet red)	→ 31.01.2017	1
23	1546951-0444	(Backrest joint plate, pair, copper glaze)	→ 31.01.2017	1
23	1546951-0182	(Backrest joint plate, pair, champagne)	01.01.2013 → 31.01.2017	1
23	1546951-0404	(Backrest joint plate, pair, b-blue)	→ 31.01.2017	1
23	1546951-0441	(Backrest joint plate, pair, arctic blue)	→ 31.01.2017	1

(Küsfall backrest parts for Matrx backs)

23	1546951-0183	(Backrest joint plate, pair, olive)	01.01.2013 → 31.01.2017	1
23	1546951-0402	(Backrest joint plate, pair, apricot)	01.07.2012 → 31.12.2012	1
23	1546951-0401	(Backrest joint plate, pair, lemon)	01.07.2012 → 31.12.2012	1
24	SP1638129-0004	(Backrest joint plate, pair, black anodized)	01.02.2017 →	1
24	SP1638129-0001	(Backrest joint plate, pair, chrome)	01.02.2017 →	1
24	SP1638129-0400	(Backrest joint plate, pair, techno-anthrazit)	01.02.2017 →	1
24	SP1638129-0440	(Backrest joint plate, pair, comet red)	01.02.2017 →	1
24	SP1638129-0444	(Backrest joint plate, pair, copper glaze)	01.02.2017 →	1
24	SP1638129-0182	(Backrest joint plate, pair, champagne)	01.02.2017 →	1
24	SP1638129-0404	(Backrest joint plate, pair, b-blue)	01.02.2017 →	1
24	SP1638129-0441	(Backrest joint plate, pair, arctic blue)	01.02.2017 →	1
24	SP1638129-0183	(Backrest joint plate, pair, olive)	01.02.2017 →	1
25	1546950	K-Serie G3 rugframe bev. vierkant moer+bus ps		1
26	1546948	K-Serie G3 rughoekverst. stift pp		1

(Backrest cover light)



	SB34	SB36	SB38	SB40	SB42	SB44	SB46	SB48
RH27	1	2	3	4	5	6	7	8
RH28,5	9	10	11	12	13	14	15	16
RH30	17	18	19	20	21	22	23	24
RH31,5	25	26	27	28	29	30	31	32
RH33	33	34	35	36	37	38	39	40
RH34,5	41	42	43	44	45	46	47	48
RH36	49	50	51	52	53	54	55	56
RH37,5	57	58	59	60	61	62	63	64
RH39	65	66	67	68	69	70	71	72
RH40,5	73	74	75	76	77	78	79	80
RH42	81	82	83	84	85	86	87	88
RH43,5	89	90	91	92	93	94	95	96
RH45	97	98	99	100	101	102	103	104
RH46,5	105	106	107	108	109	110	111	112
RH48	113	114	115	116	117	118	119	120

1	1546952	(Backrest cover light SB34 RH27)	1
2	1546992	(Backrest cover light SB36 RH27)	1
3	1547007	(Backrest cover light SB38 RH27)	1
4	1547033	(Backrest cover light SB40 RH27)	1
5	1547093	(Backrest cover light SB42 RH27)	1
6	1547108	(Backrest cover light SB44 RH27)	1
7	1547123	(Backrest cover light SB46 RH27)	1
8	1547138	(Backrest cover light SB48 RH27)	1
9	1546953	(Backrest cover light SB34 RH28,5)	1
10	1546993	(Backrest cover light SB36 RH28,5)	1
11	1547008	(Backrest cover light SB38 RH28,5)	1
12	1547034	(Backrest cover light SB40 RH28,5)	1
13	1547094	(Backrest cover light SB42 RH28,5)	1
14	1547109	(Backrest cover light SB44 RH28,5)	1
15	1547124	(Backrest cover light SB46 RH28,5)	1
16	1547139	(Backrest cover light SB48 RH28,5)	1
17	1546954	(Backrest cover light SB34 RH30)	1
18	1546994	(Backrest cover light SB36 RH30)	1
19	1547009	(Backrest cover light SB38 RH30)	1
20	1547035	(Backrest cover light SB40 RH30)	1
21	1547095	(Backrest cover light SB42 RH30)	1
22	1547110	(Backrest cover light SB44 RH30)	1
23	1547125	(Backrest cover light SB46 RH30)	1
24	1547140	(Backrest cover light SB48 RH30)	1
25	1546955	(Backrest cover light SB34 RH31,5)	1
26	1546995	(Backrest cover light SB36 RH31,5)	1
27	1547010	K-Serie G3 rughoes light zb38 rh31,5 ps	1
28	1547036	(Backrest cover light SB40 RH31,5)	1
29	1547096	(Backrest cover light SB42 RH31,5)	1
30	1547111	(Backrest cover light SB44 RH31,5)	1
31	1547126	(Backrest cover light SB46 RH31,5)	1

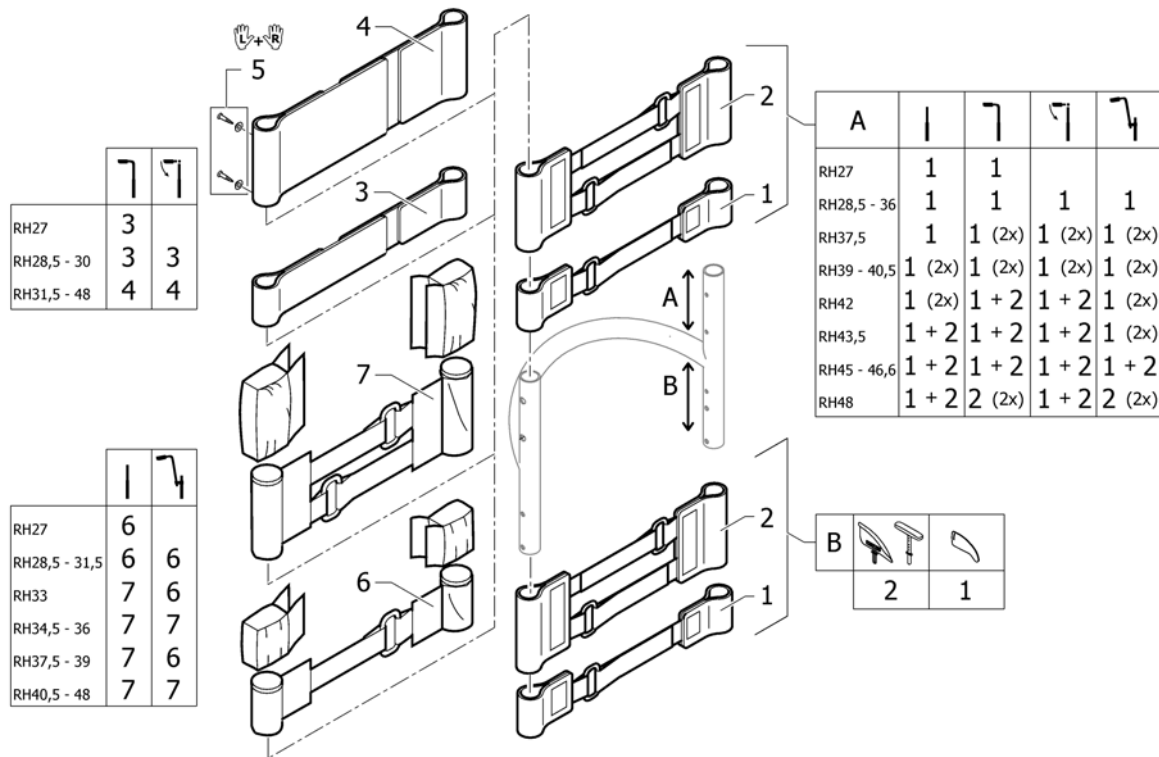
(Backrest cover light)

32	1547141	(Backrest cover light SB48 RH31,5)	1
33	1546956	(Backrest cover light SB34 RH33)	1
34	1546996	(Backrest cover light SB36 RH33)	1
35	1547011	(Backrest cover light SB38 RH33)	1
36	1547037	(Backrest cover light SB40 RH33)	1
37	1547097	(Backrest cover light SB42 RH33)	1
38	1547112	(Backrest cover light SB44 RH33)	1
39	1547127	(Backrest cover light SB46 RH33)	1
40	1547142	(Backrest cover light SB48 RH33)	1
41	1546957	(Backrest cover light SB34 RH34,5)	1
42	1546997	(Backrest cover light SB36 RH34,5)	1
43	1547012	(Backrest cover light SB38 RH34,5)	1
44	1547048	(Backrest cover light SB40 RH34,5)	1
45	1547098	(Backrest cover light SB42 RH34,5)	1
46	1547113	(Backrest cover light SB44 RH34,5)	1
47	1547128	(Backrest cover light SB46 RH34,5)	1
48	1547143	(Backrest cover light SB48 RH34,5)	1
49	1546958	(Backrest cover light SB34 RH36)	1
50	1546998	(Backrest cover light SB36 RH36)	1
51	1547013	(Backrest cover light SB38 RH36)	1
52	1547049	(Backrest cover light SB40 RH36)	1
53	1547099	(Backrest cover light SB42 RH36)	1
54	1547114	(Backrest cover light SB44 RH36)	1
55	1547129	(Backrest cover light SB46 RH36)	1
56	1547144	(Backrest cover light SB48 RH36)	1
57	1546959	(Backrest cover light SB34 RH37,5)	1
58	1546999	(Backrest cover light SB36 RH37,5)	1
59	1547014	(Backrest cover light SB38 RH37,5)	1
60	1547050	(Backrest cover light SB40 RH37,5)	1
61	1547100	(Backrest cover light SB42 RH37,5)	1
62	1547115	(Backrest cover light SB44 RH37,5)	1
63	1547130	(Backrest cover light SB46 RH37,5)	1
64	1547145	(Backrest cover light SB48 RH37,5)	1
65	1546960	(Backrest cover light SB34 RH39)	1
66	1547000	(Backrest cover light SB36 RH39)	1
67	1547015	(Backrest cover light SB38 RH39)	1
68	1547051	(Backrest cover light SB40 RH39)	1
69	1547101	(Backrest cover light SB42 RH39)	1
70	1547116	(Backrest cover light SB44 RH39)	1
71	1547131	(Backrest cover light SB46 RH39)	1
72	1547146	(Backrest cover light SB48 RH39)	1
73	1546961	(Backrest cover light SB34 RH40,5)	1
74	1547001	(Backrest cover light SB36 RH40,5)	1
75	1547016	(Backrest cover light SB38 RH40,5)	1
76	1547052	K-Serie G3 rughoes light zb40- rh40,5 ps	1
77	1547102	(Backrest cover light SB42 RH40,5)	1
78	1547117	(Backrest cover light SB44 RH40,5)	1
79	1547132	(Backrest cover light SB46 RH40,5)	1
80	1547147	(Backrest cover light SB48 RH40,5)	1
81	1546962	(Backrest cover light SB34 RH42)	1
82	1547002	(Backrest cover light SB36 RH42)	1
83	1547028	(Backrest cover light SB38 RH42)	1
84	1547053	(Backrest cover light SB40 RH42)	1
85	1547103	K-Serie G3 rughoes Light zb42 rh42	1
86	1547118	(Backrest cover light SB44 RH42)	1

(Backrest cover light)

87	1547133	(Backrest cover light SB46 RH42)	1
88	1547148	(Backrest cover light SB48 RH42)	1
89	1546988	(Backrest cover light SB34 RH43,5)	1
90	1547003	(Backrest cover light SB36 RH43,5)	1
91	1547029	(Backrest cover light SB38 RH43,5)	1
92	1547054	(Backrest cover light SB40 RH43,5)	1
93	1547104	(Backrest cover light SB42 RH43,5)	1
94	1547119	(Backrest cover light SB44 RH43,5)	1
95	1547134	(Backrest cover light SB46 RH43,5)	1
96	1547149	(Backrest cover light SB48 RH43,5)	1
97	1546989	(Backrest cover light SB34 RH45)	1
98	1547004	(Backrest cover light SB36 RH45)	1
99	1547030	(Backrest cover light SB38 RH45)	1
100	1547055	(Backrest cover light SB40 RH45)	1
101	1547105	(Backrest cover light SB42 RH45)	1
102	1547120	(Backrest cover light SB44 RH45)	1
103	1547135	(Backrest cover light SB46 RH45)	1
104	1547150	(Backrest cover light SB48 RH45)	1
105	1546990	(Backrest cover light SB34 RH46,5)	1
106	1547005	(Backrest cover light SB36 RH46,5)	1
107	1547031	(Backrest cover light SB38 RH46,5)	1
108	1547091	(Backrest cover light SB40 RH46,5)	1
109	1547106	(Backrest cover light SB42 RH46,5)	1
110	1547121	(Backrest cover light SB44 RH46,5)	1
111	1547136	(Backrest cover light SB46 RH46,5)	1
112	1547151	(Backrest cover light SB48 RH46,5)	1
113	1546991	(Backrest cover light SB34 RH48)	1
114	1547006	(Backrest cover light SB36 RH48)	1
115	1547032	(Backrest cover light SB38 RH48)	1
116	1547092	(Backrest cover light SB40 RH48)	1
117	1547107	(Backrest cover light SB42 RH48)	1
118	1547122	(Backrest cover light SB44 RH48)	1
119	1547137	(Backrest cover light SB46 RH48)	1
120	1547152	(Backrest cover light SB48 RH48)	1
121	1432083	Kusch set vijzen voor bev.nasp.band rug	1

(Bands to adjustable backrest)



1	1513167	Kusch rugbekl.nasp.band 5cm hoog ps	1
2	1513168	Kusch rugbekl.nasp.deel 2 band	1
3	1513170	Kusch rug spanband 5cm 2-band ex.polsterdeel	1
4	1513171	Kusch rug spanband 10cm 2-band ex.polsterdeel	1
5	1432083	Kusch set vijzen voor bev.nasp.band rug	1
6	1513172	Kusch rugbekl.nasp.band 5cm hoog ps Comp/K-Serie	1
7	1513173	Kusch rugbekl.nasp.band 10cm hoog Comp/K-Serie	1

(Cover to adjustable backrest)

Std. (black premium)	SB32-34	SB36-38	SB40-42	SB44-46	SB48-50
RH27-30	1	2	3	4	5
RH31,5-36	6	7	8	9	10
RH37,5-42	11	12	13	14	15
RH43,5-48	16	17	18	19	20

AeroBack	SB32-34	SB36-38	SB40-42	SB44-46	SB48-50
RH27-33	21	22	23	24	25
RH34,5-40,5	26	27	28	29	30
RH42-48	31	32	33	34	35

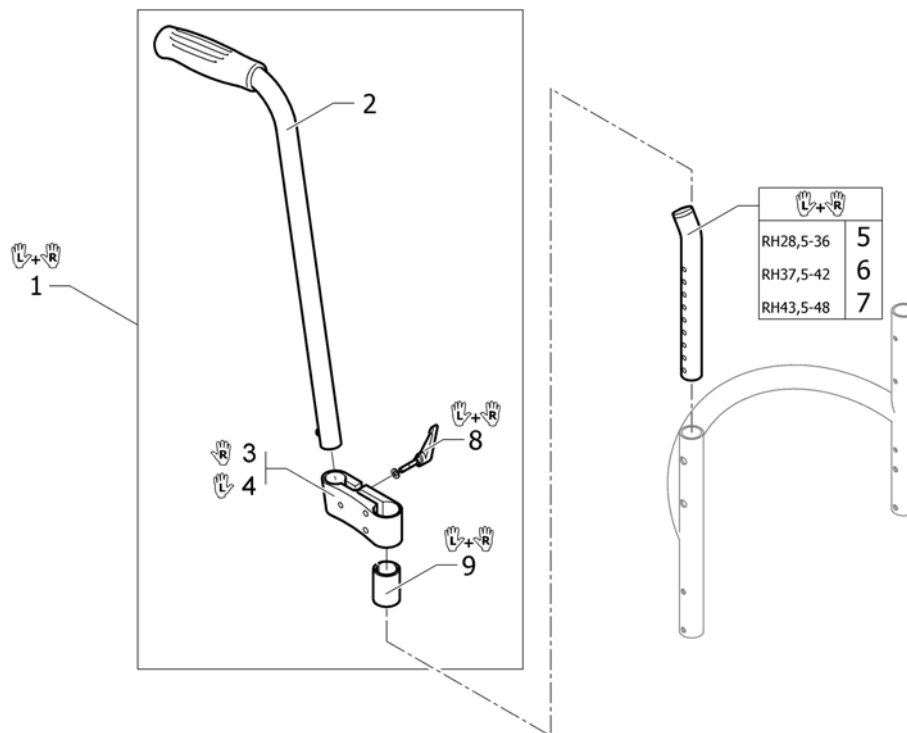
Alcantara	SB32-34	SB36-38	SB40-42	SB44-46	SB48-50
RH27-33	36	37	38	39	-
RH34,5-40,5	40	41	42	43	-
RH42-48	44	45	46	47	-

1	SP1606369	(Cover black premium to adjustable backrest SB32-34 Xshort)	1
2	SP1606370	(Cover black premium to adjustable backrest SB36-38 Xshort)	1
3	SP1606407	Kusch rughoes ZB40-42 RH 270-300 zwart	1
4	SP1606408	(Cover black premium to adjustable backrest SB44-46 Xshort)	1
5	SP1606409	(Cover black premium to adjustable backrest SB48-50 Xshort)	1
6	SP1606000	Kusch rughoes zb32-34 rh 31,5-36 zwart	1
7	SP1606001	(Cover black to adjustable backrest, SB36-38, short)	1
8	SP1606002	(Cover black to adjustable backrest, SB40-42, short)	1
9	SP1606003	Kusch rughoes zb44-46 rh315-360 zwart	1
10	SP1606004	(Cover black to adjustable backrest, SB48-50, short)	1
11	SP1606006	(Cover black to adjustable backrest, SB32-34, medium)	1
12	SP1606007	(Cover black to adjustable backrest, SB36-38, medium)	1
13	SP1606008	Kusch rughoes zb40-42 rh 375-420 zwart	1
14	SP1606009	Kusch rughoes zb44-46 rh 34,5-40,5	1
15	SP1606010	(Cover black to adjustable backrest, SB48-50, medium)	1
16	SP1606012	(Cover black to adjustable backrest, SB32-34, long)	1
17	SP1606013	(Cover black to adjustable backrest, SB36-38, long)	1
18	SP1606014	Kusch rughoes zb40-42 rh 43,5-46,5 standaard	1
19	SP1606015	(Cover black to adjustable backrest, SB44-46, long)	1
20	SP1606016	(Cover black to adjustable backrest, SB48-50, long)	1
21	1512156	Kusch rughoes aero zb34 rh27-33 ps	1
22	1512157	Kusch rughoes aero zb36- 38 kort Cha/K-serie/R33	1
23	1512158	Kusch rughoes aero zb40- 42 kort ps	1
24	1512159	(Cover 'Aero' to adjustable backrest, SB44-46, short)	1
25	1512160	(Cover 'Aero' to adjustable backrest, SB48-50, short)	1
26	1512161	Kusch rughoes aero zb34 rh34.5-40 ps	1
27	1512162	Kusch rughoes aero zb38 rh 41cm	1
28	1512163	Kusch rughoes aero zb40- 42 med.ps	1
29	1512164	Kusch rughoes aero zb44- 46 med.ps	1
30	1512165	(Cover 'Aero' to adjustable backrest, SB48-50, medium)	1
31	1512166	(Cover 'Aero' to adjustable backrest, SB32-34, long)	1

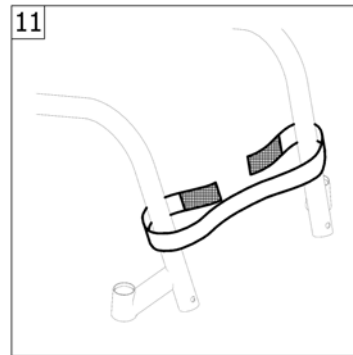
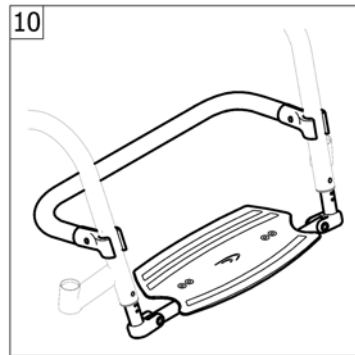
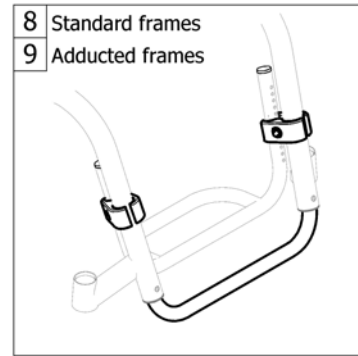
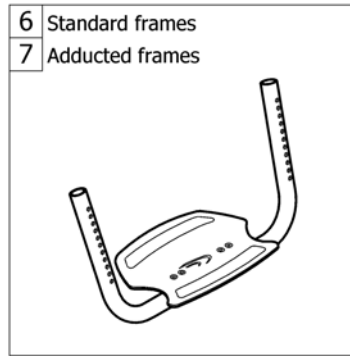
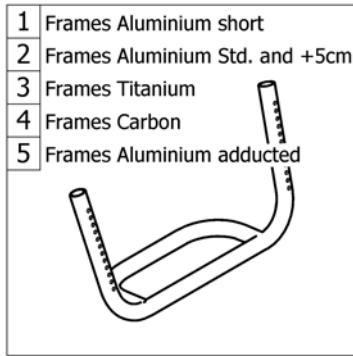
(Cover to adjustable backrest)

32	1512167	(Cover 'Aero' to adjustable backrest, SB36-38, long)	1
33	1512168	Kusch rughoes aero zb40- 42 rh42-48 ps	1
34	1512169	Kusch rughoes aero zb44- 46 rh42-48 ps	1
35	1512170	Kusch rughoes aero zb48- 50 rh42-48 ps	1
36	1517466	(Cover to adjustable backrest Alcantara black SB 34 short)	1
37	1517467	(Cover to adjustable backrest Alcantara black SB 36-38 short)	1
38	1517468	(Cover to adjustable backrest Alcantara black SB 40-42 short)	1
39	1517469	(Cover to adjustable backrest Alcantara black SB 44-46 short)	1
40	1517470	(Cover to adjustable backrest Alcantara black SB 34 medium)	1
41	1517471	(Cover to adjustable backrest Alcantara black SB 36-38 medium)	1
42	1517472	(Cover to adjustable backrest Alcantara black SB 40-42 medium)	1
43	1517473	(Cover to adjustable backrest Alcantara black SB 44-46 medium)	1
44	1517474	(Cover to adjustable backrest Alcantara black SB 34 long)	1
45	1517475	(Cover to adjustable backrest Alcantara black SB 36-38 long)	1
46	1517476	(Cover to adjustable backrest Alcantara black SB 40-42 long)	1
47	1517477	(Cover to adjustable backrest Alcantara black SB 44-46 long)	1

(Push handles, height adjustable, rear set)

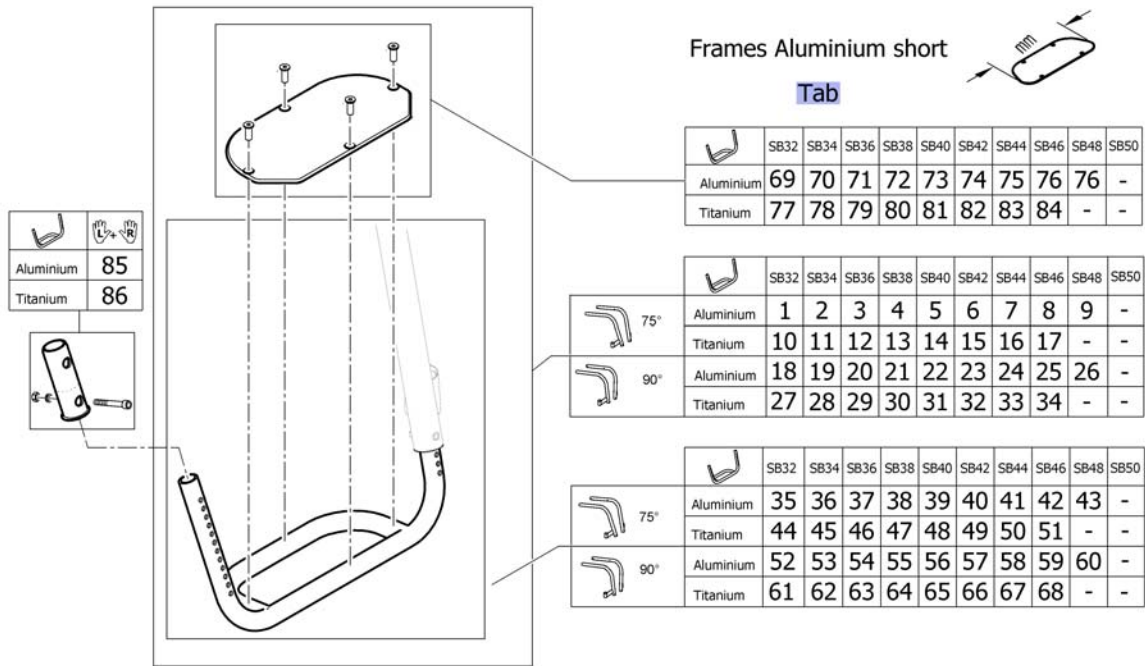


1	1517876	Kusch duwh.opb.pp nw.	1
2	1438938	Kusch duwh.opb.ex.bev.ps	2
3	1438939	Kusch duwh.opb.nw.bev. klem re ps	1
4	1438940	kusch duwh.opb.nw.bev. klem li ps	1
5	1546913	K-Serie rugb.short pp rh28-36,5cm	1
6	1546914	K-Serie rugb.medium pp rh37,5-42cm K-Ser/Adv	1
7	1546946	K-Serie G3 rugb.telesc. lang rh43,5-48 pp	1
8	1529799	Kusch duwh.opb.wartel pp	1
9	1581293	(Sleeves for mounting fixture, for rearsset push handles, pair)	1



1	-	(Footrest standard mounted on frame aluminium short)	1
2	-	(Footrest standard mounted on frame aluminium Std. or +5cm)	1
3	-	(Footrest standard mounted on frame Titanium)	1
4	-	(Footrest standard mounted on frame Carbon)	1
5	-	(Footrest standard for adducted frame)	1
6	-	(Footrest angle adjustable)	1
7	-	(Footrest angle adjustable for adducted frame)	1
8	-	(Footrest highmounted)	1
9	-	(Footrest flip-to-side)	1
10	-	(Calf strap)	1

(Footrest standard mounted on frame aluminium short)



Tab	-	(Configuration table for footrest standard mounted on frame aluminium short)	1
1	SP1642611	(Footrest 75° Aluminium with plate complete SB32 for short frame)	1
2	SP1642612	(Footrest 75° Aluminium with plate complete SB34 for short frame)	1
3	SP1642613	(Footrest 75° Aluminium with plate complete SB36 for short frame)	1
4	SP1642614	(Footrest 75° Aluminium with plate complete SB38 for short frame)	1
5	SP1642615	(Footrest 75° Aluminium with plate complete SB40 for short frame)	1
6	SP1642616	(Footrest 75° Aluminium with plate complete SB42 for short frame)	1
7	SP1642617	(Footrest 75° Aluminium with plate complete SB44 for short frame)	1
8	SP1642618	(Footrest 75° Aluminium with plate complete SB46 for short frame)	1
9	SP1642619	(Footrest 75° Aluminium with plate complete SB48 for short frame)	1
10	SP1642620	(Footrest 75° Titanium with plate complete SB32 for short frame)	1
11	SP1642621	(Footrest 75° Titanium with plate complete SB34 for short frame)	1
12	SP1642622	(Footrest 75° Titanium with plate complete SB36 for short frame)	1
13	SP1642623	(Footrest 75° Titanium with plate complete SB38 for short frame)	1
14	SP1642624	(Footrest 75° Titanium with plate complete SB40 for short frame)	1
15	SP1642625	(Footrest 75° Titanium with plate complete SB42 for short frame)	1
16	SP1642626	(Footrest 75° Titanium with plate complete SB44 for short frame)	1
17	SP1642627	(Footrest 75° Titanium with plate complete SB46 for short frame)	1
18	SP1642643	(Footrest 90° Aluminium with plate complete SB32 for short frame)	1
19	SP1642644	(Footrest 90° Aluminium with plate complete SB34 for short frame)	1
20	SP1642645	(Footrest 90° Aluminium with plate complete SB36 for short frame)	1
21	SP1642646	(Footrest 90° Aluminium with plate complete SB38 for short frame)	1
22	SP1642723	(Footrest 90° Aluminium with plate complete SB40 for short frame)	1
23	SP1642724	(Footrest 90° Aluminium with plate complete SB42 for short frame)	1
24	SP1642725	(Footrest 90° Aluminium with plate complete SB44 for short frame)	1
25	SP1642726	(Footrest 90° Aluminium with plate complete SB46 for short frame)	1
26	SP1642727	(Footrest 90° Aluminium with plate complete SB48 for short frame)	1
27	SP1642728	(Footrest 90° Titanium with plate complete SB32 for short frame)	1
28	SP1642729	(Footrest 90° Titanium with plate complete SB34 for short frame)	1
29	SP1642730	(Footrest 90° Titanium with plate complete SB36 for short frame)	1
30	SP1642731	(Footrest 90° Titanium with plate complete SB38 for short frame)	1

(Footrest standard mounted on frame aluminium short)

31	SP1642732	(Footrest 90° Titanium with plate complete SB40 for short frame)	1
32	SP1642733	(Footrest 90° Titanium with plate complete SB42 for short frame)	1
33	SP1642734	(Footrest 90° Titanium with plate complete SB44 for short frame)	1
34	SP1642735	(Footrest 90° Titanium with plate complete SB46 for short frame)	1
35	SP1642736	(Footrest 75° Aluminium complete SB32 for short frame)	1
36	SP1642737	(Footrest 75° Aluminium complete SB34 for short frame)	1
37	SP1642738	(Footrest 75° Aluminium complete SB36 for short frame)	1
38	SP1642739	(Footrest 75° Aluminium complete SB38 for short frame)	1
39	SP1642740	(Footrest 75° Aluminium complete SB40 for short frame)	1
40	SP1642741	(Footrest 75° Aluminium complete SB42 for short frame)	1
41	SP1642742	(Footrest 75° Aluminium complete SB44 for short frame)	1
42	SP1642743	(Footrest 75° Aluminium complete SB46 for short frame)	1
43	SP1642744	(Footrest 75° Aluminium complete SB48 for short frame)	1
44	SP1642745	(Footrest 75° Titanium complete SB32 for short frame)	1
45	SP1642746	(Footrest 75° Titanium complete SB34 for short frame)	1
46	SP1642747	(Footrest 75° Titanium complete SB36 for short frame)	1
47	SP1642748	(Footrest 75° Titanium complete SB38 for short frame)	1
48	SP1642763	(Footrest 75° Titanium complete SB40 for short frame)	1
49	SP1642764	(Footrest 75° Titanium complete SB42 for short frame)	1
50	SP1642765	(Footrest 75° Titanium complete SB44 for short frame)	1
51	SP1642766	(Footrest 75° Titanium complete SB46 for short frame)	1
52	SP1642767	(Footrest 90° Aluminium complete SB32 for short frame)	1
53	SP1642768	(Footrest 90° Aluminium complete SB34 for short frame)	1
54	SP1642769	(Footrest 90° Aluminium complete SB36 for short frame)	1
55	SP1642770	(Footrest 90° Aluminium complete SB38 for short frame)	1
56	SP1642771	(Footrest 90° Aluminium complete SB40 for short frame)	1
57	SP1642772	(Footrest 90° Aluminium complete SB42 for short frame)	1
58	SP1642773	(Footrest 90° Aluminium complete SB44 for short frame)	1
59	SP1642774	(Footrest 90° Aluminium complete SB46 for short frame)	1
60	SP1642775	(Footrest 90° Aluminium complete SB48 for short frame)	1
61	SP1642776	(Footrest 90° Titanium complete SB32 for short frame)	1
62	SP1642777	(Footrest 90° Titanium complete SB34 for short frame)	1
63	SP1642778	(Footrest 90° Titanium complete SB36 for short frame)	1
64	SP1642779	(Footrest 90° Titanium complete SB38 for short frame)	1
65	SP1642780	(Footrest 90° Titanium complete SB40 for short frame)	1
66	SP1642781	(Footrest 90° Titanium complete SB42 for short frame)	1
67	SP1642782	(Footrest 90° Titanium complete SB44 for short frame)	1
68	SP1642783	(Footrest 90° Titanium complete SB46 for short frame)	1
69	1583594	(Footplate 154mm)	1
70	1583595	(Footplate 174mm)	1
71	1583596	(Footplate 194mm)	1
72	1583597	Kusch voetplaat 214mm cpl	1
73	1583598	K-Serie voetpl.tbv alu beugel 234mm G3/Attr/KSL	1
74	1583599	K-serie voetpl. tbv alu beugel 254mm G3/Attr/KSL	1
75	1583600	(Footplate 274mm)	1
76	1583601	(Footplate 294mm)	1
77	SP1589855	(Footplate Titanium 164mm)	1
78	SP1589856	(Footplate Titanium 184mm)	1
79	SP1589857	(Footplate Titanium 204mm)	1
80	SP1589858	Kusch G3 voetpl zb40 tbv titanium voetbeugel	1
81	SP1589859	(Footplate Titanium 244mm)	1
82	SP1589860	(Footplate Titanium 264mm)	1
83	SP1589861	(Footplate Titanium 284mm)	1
84	SP1589862	(Footplate Titanium 304mm)	1
85	1547274	Kusch voetbeugel alu opname bus frame ps KSL/G3	1

(Footrest standard mounted on frame aluminium short)

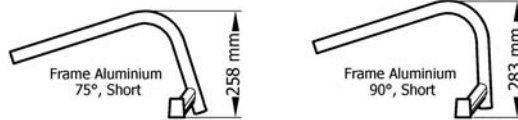
86 1451717

(Footplate sleeve Titanium)

1

(Configuration table for footrest standard mounted on frame aluminium short)

		Rear Wheel 24"			Rear Wheel 25"			Rear Wheel 26"		
Frame Aluminium 75° Short (258 mm)	SHv 45	UL29 -> UL32	UL33 -> UL42	SHv 46	UL29 -> UL32	UL33 -> UL43	SHv 47	UL29 -> UL32	UL33 -> UL44	
	SHv 46	UL29 -> UL33	UL34 -> UL43	SHv 47	UL29 -> UL33	UL34 -> UL44	SHv 48	UL29 -> UL33	UL34 -> UL45	
	SHv 47	UL29 -> UL34	UL35 -> UL44	SHv 48	UL29 -> UL34	UL35 -> UL45	SHv 49	UL29 -> UL34	UL35 -> UL46	
Frame Aluminium 90° Short (283 mm)	SHv 45	UL29 -> UL32	UL33 -> UL41	SHv 46	UL29 -> UL32	UL33 -> UL42	SHv 47	UL29 -> UL32	UL33 -> UL43	
	SHv 46	UL29 -> UL33	UL34 -> UL42	SHv 47	UL29 -> UL33	UL34 -> UL43	SHv 48	UL29 -> UL33	UL34 -> UL44	
	SHv 47	UL29 -> UL34	UL35 -> UL43	SHv 48	UL29 -> UL34	UL35 -> UL44	SHv 49	UL29 -> UL34	UL35 -> UL45	



i -

(Knee to heel length (UL) in relationship to frame type, front seat height (SHv) and rear wheel size)

1

(Footrest standard mounted on frame aluminium Std. or +5cm)

The image contains technical diagrams and tables for selecting footrest components. On the left, a large diagram shows a footrest assembly with callouts to smaller detail drawings. One detail shows a footrest with a plate and a screw, with a table below it:

Aluminium	89
Titanium	90

 Another detail shows a footrest with a plate and a screw, with a table below it:

Aluminium	89
Titanium	90

 On the right, a diagram shows a 'Frame Aluminium Std., +5cm' with a 'Tab' and a dimension of 1mm. Below this are three tables for selecting components based on angle and material.

Material	SB32	SB34	SB36	SB38	SB40	SB42	SB44	SB46	SB48	SB50
Aluminium	73	73	74	75	76	77	78	79	80	80
Titanium	-	81	82	83	84	85	86	87	88	-

Material	SB32	SB34	SB36	SB38	SB40	SB42	SB44	SB46	SB48	SB50
Aluminium	1	2	3	4	5	6	7	8	9	10
Titanium	-	11	12	13	14	15	16	17	18	-

Material	SB32	SB34	SB36	SB38	SB40	SB42	SB44	SB46	SB48	SB50
Aluminium	37	38	39	40	41	42	43	44	45	46
Titanium	-	47	48	49	50	51	52	53	54	-

Tab	-	(Configuration table for footrest standard mounted on frame aluminium Std. or +5cm)	1
1	SP1642784	(Footrest 75° Aluminium with plate complete SB32)	1
2	1547275	(Footrest 75° Aluminium with plate complete SB34)	1
3	1547276	(Footrest 75° Aluminium with plate complete SB36)	1
4	1547277	(Footrest 75° Aluminium with plate complete SB38)	1
5	1547278	(Footrest 75° Aluminium with plate complete SB40)	1
6	1547279	K-Serie G3 voetbeug.+ plaat zb42 std.frame	1
7	1547280	(Footrest 75° Aluminium with plate complete SB44)	1
8	1547281	K-Serie G3 voetbeug.+ plaat zb46 std.frame	1
9	1547283	(Footrest 90° Aluminium with plate complete SB36)	1
10	SP1642785	(Footrest 75° Aluminium with plate complete SB50)	1
11	1517791	(Footrest 75° Titanium with plate complete SB34)	1
12	1517792	(Footrest 75° Titanium with plate complete SB36)	1
13	1517793	K-Serie 2005 voetbeugel zb38 tit.cpl ps	1
14	1517794	(Footrest 75° Titanium with plate complete SB40)	1
15	1517795	K-Serie 2005 voetbeugel zb42 tit.cpl ps	1
16	1517796	(Footrest 75° Titanium with plate complete SB44)	1
17	1547184	(Footrest 75° Titanium with plate complete SB46)	1
18	1547185	(Footrest 75° Titanium with plate complete SB48)	1
19	SP1642786	(Footrest 90° Aluminium with plate complete SB32)	1
20	1547282	(Footrest 90° Aluminium with plate complete SB34)	1
21	1547283	(Footrest 90° Aluminium with plate complete SB36)	1
22	1547284	(Footrest 90° Aluminium with plate complete SB38)	1
23	1547285	(Footrest 90° Aluminium with plate complete SB40)	1
24	1547286	K-Serie G3 voetbeug+ plaat zb42 90gr frame	1
25	1547287	(Footrest 90° Aluminium with plate complete SB44)	1
26	1547288	(Footrest 90° Aluminium with plate complete SB46)	1
27	1547189	(Footrest 90° Aluminium with plate complete SB48)	1
28	SP1642787	(Footrest 90° Aluminium with plate complete SB50)	1
29	1517804	(Footrest 90° Titanium with plate complete SB34)	1
30	1517805	(Footrest 90° Titanium with plate complete SB36)	1

(Footrest standard mounted on frame aluminium Std. or +5cm)

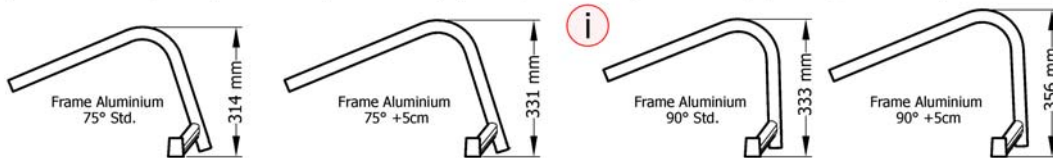
31	1517806	K-Serie 2005 voetbeugel zb38 tit.tbv.90gr cpl	1
32	1517807	(Footrest 90° Titanium with plate complete SB40)	1
33	1517808	(Footrest 90° Titanium with plate complete SB42)	1
34	1517809	(Footrest 90° Titanium with plate complete SB44)	1
35	1547190	(Footrest 90° Titanium with plate complete SB46)	1
36	1547191	(Footrest 90° Titanium with plate complete SB48)	1
37	SP1642788	(Footrest 75° Aluminium complete SB32)	1
38	1547289	(Footrest 75° Aluminium complete SB34)	1
39	1547290	(Footrest 75° Aluminium complete SB36)	1
40	1547291	(Footrest 75° Aluminium complete SB38)	1
41	1547292	Kusch voetbeugel zb40 alu ps	1
42	1547293	(Footrest 75° Aluminium complete SB42)	1
43	1547294	(Footrest 75° Aluminium complete SB44)	1
44	1547295	(Footrest 75° Aluminium complete SB46)	1
45	1547195	(Footrest 75° Aluminium complete SB48)	1
46	SP1642789	(Footrest 75° Aluminium complete SB48)	1
47	1485853	(Footrest 75° Titanium complete SB34)	1
48	1485854	(Footrest 75° Titanium complete SB36)	1
49	1485855	K-Serie 2005 voetbeugel zb38 tit.ps	1
50	1485856	K-Serie 2005 voetbeugel zb40 tit.ps	1
51	1485857	K-Serie G3 voetbeugel zb 42 tit.ps	1
52	1485858	(Footrest 75° Titanium complete SB44)	1
53	1547196	(Footrest 75° Titanium complete SB46)	1
54	1547197	(Footrest 75° Titanium complete SB48)	1
55	SP1642790	(Footrest 90° Aluminium complete SB32)	1
56	1547296	(Footrest 90° Aluminium complete SB34)	1
57	1547321	(Footrest 90° Aluminium complete SB36)	1
58	1547322	Kusch voetbeugel zb38 alu ps	1
59	1547323	Kusch voetbeugel tbv Airlite zb40cm	1
60	1547324	(Footrest 90° Aluminium complete SB42)	1
61	1547325	Kusch voetbeugel zb44 alu ps	1
62	1547326	(Footrest 90° Aluminium complete SB46)	1
63	1547201	(Footrest 90° Aluminium complete SB48)	1
64	SP1642791	(Footrest 90° Aluminium complete SB50)	1
65	1485859	(Footrest 90° Titanium complete SB34)	1
66	1485860	(Footrest 90° Titanium complete SB36)	1
67	1485861	(Footrest 90° Titanium complete SB38)	1
68	1485862	(Footrest 90° Titanium complete SB40)	1
69	1485863	(Footrest 90° Titanium complete SB42)	1
70	1485864	(Footrest 90° Titanium complete SB44)	1
71	1547202	(Footrest 90° Titanium complete SB46)	1
72	1547203	(Footrest 90° Titanium complete SB48)	1
73	1583594	(Footplate 154mm)	1
74	1583595	(Footplate 174mm)	1
75	1583596	(Footplate 194mm)	1
76	1583597	Kusch voetplaat 214mm cpl	1
77	1583598	K-Serie voetpl.tbv alu beugel 234mm G3/Attr/KSL	1
78	1583599	K-serie voetpl. tbv alu beugel 254mm G3/Attr/KSL	1
79	1583600	(Footplate 274mm)	1
80	1583601	(Footplate 294mm)	1
81	SP1589855	(Footplate Titanium 164mm)	1
82	SP1589856	(Footplate Titanium 184mm)	1
83	SP1589857	(Footplate Titanium 204mm)	1
84	SP1589858	Kusch G3 voetpl zb40 tbv titanium voetbeugel	1
85	SP1589859	(Footplate Titanium 244mm)	1

(Footrest standard mounted on frame aluminium Std. or +5cm)

86	SP1589860	(Footplate Titanium 264mm)	1
87	SP1589861	(Footplate Titanium 284mm)	1
88	SP1589862	(Footplate Titanium 304mm)	1
89	1547274	Kusch voetbeugel alu opname bus frame ps KSL/G3	1
90	1451717	(Footplate sleeve Titanium)	1

(Configuration table for footrest standard mounted on frame aluminium Std. or +5cm)

	Rear Wheel 24"			Rear Wheel 25"			Rear Wheel 26"		
	SHv	UL	UL	SHv	UL	UL	SHv	UL	UL
Frame Aluminium 75° Std. (314 mm)	SHv 48	UL29 -> UL36	UL37 -> UL45	SHv 49	UL29 -> UL36	UL37 -> UL46	SHv 50	UL29 -> UL36	UL37 -> UL47
	SHv 49	UL29 -> UL37	UL38 -> UL46	SHv 50	UL29 -> UL37	UL38 -> UL47	SHv 51	UL29 -> UL37	UL38 -> UL48
	SHv 50	UL29 -> UL38	UL39 -> UL47	SHv 51	UL29 -> UL38	UL39 -> UL48	SHv 52	UL29 -> UL38	UL39 -> UL49
Frame Aluminium 75° +5cm (331 mm)	SHv 50	UL29 -> UL38	UL39 -> UL47	SHv 51	UL29 -> UL38	UL39 -> UL48	SHv 52	UL29 -> UL38	UL39 -> UL49
	SHv 51	UL29 -> UL39	UL40 -> UL48	SHv 52	UL29 -> UL39	UL40 -> UL49	SHv 53	UL29 -> UL39	UL40 -> UL50
	SHv 52	UL29 -> UL40	UL41 -> UL49	SHv 53	UL29 -> UL40	UL41 -> UL50	SHv 54	UL29 -> UL40	UL41 -> UL51
Frame Aluminium 90° Std. (333 mm)	SHv 48	UL29 -> UL36	UL37 -> UL44	SHv 49	UL29 -> UL36	UL37 -> UL45	SHv 50	UL29 -> UL36	UL37 -> UL46
	SHv 49	UL29 -> UL37	UL38 -> UL45	SHv 50	UL29 -> UL37	UL38 -> UL46	SHv 51	UL29 -> UL37	UL38 -> UL47
	SHv 50	UL29 -> UL38	UL39 -> UL46	SHv 51	UL29 -> UL38	UL39 -> UL47	SHv 52	UL29 -> UL38	UL39 -> UL48
Frame Aluminium 90° +5cm (356 mm)	SHv 50	UL29 -> UL39	UL40 -> UL46	SHv 51	UL29 -> UL39	UL40 -> UL47	SHv 52	UL29 -> UL39	UL40 -> UL48
	SHv 51	UL29 -> UL40	UL41 -> UL47	SHv 52	UL29 -> UL40	UL41 -> UL48	SHv 53	UL29 -> UL40	UL41 -> UL49
	SHv 52	UL29 -> UL41	UL42 -> UL48	SHv 53	UL29 -> UL41	UL42 -> UL49	SHv 54	UL29 -> UL41	UL42 -> UL50



i -

(Knee to heel length (UL) in relationship to frame type, front seat height (SHv) and rear wheel size)

1

(Footrest standard mounted on frame Titanium)

Frames Titanium Std.

Tab

	SB32	SB34	SB36	SB38	SB40	SB42	SB44	SB46	SB48	SB50
Aluminium	73	73	74	75	76	77	78	79	80	80
Titanium	-	81	82	83	84	85	86	87	88	-

	SB32	SB34	SB36	SB38	SB40	SB42	SB44	SB46	SB48	SB50	
	Aluminium	1	2	3	4	5	6	7	8	9	10
	Titanium	-	11	12	13	14	15	16	17	18	-
	Aluminium	19	20	21	22	23	24	25	26	27	28
	Titanium	-	29	30	31	32	33	34	35	36	-

	SB32	SB34	SB36	SB38	SB40	SB42	SB44	SB46	SB48	SB50	
	Aluminium	37	38	39	40	41	42	43	44	45	46
	Titanium	-	47	48	49	50	51	52	53	54	-
	Aluminium	55	56	57	58	59	60	61	62	63	64
	Titanium	-	65	66	67	68	69	70	71	72	-

Tab	-	(Configuration table for footrest standard mounted on frame Titanium)	1
1	SP1642801	(Footrest 75° Aluminium with plate complete SB32 to titanium frames)	1
2	1544559	(Footrest 75° Aluminium with plate complete SB34 to titanium frames)	1
3	1544560	(Footrest 75° Aluminium with plate complete SB36 to titanium frames)	1
4	1544561	(Footrest 75° Aluminium with plate complete SB38 to titanium frames)	1
5	1544562	(Footrest 75° Aluminium with plate complete SB40 to titanium frames)	1
6	1544563	(Footrest 75° Aluminium with plate complete SB42 to titanium frames)	1
7	1544564	(Footrest 75° Aluminium with plate complete SB44 to titanium frames)	1
8	1544565	(Footrest 75° Aluminium with plate complete SB46 to titanium frames)	1
9	1547186	(Footrest 75° Aluminium with plate complete SB48 to titanium frames)	1
10	SP1642802	(Footrest 75° Aluminium with plate complete SB50 to titanium frames)	1
11	1544566	(Footrest 75° Titanium with plate complete SB34 to titanium frames)	1
12	1544567	(Footrest 75° Titanium with plate complete SB36 to titanium frames)	1
13	1544568	(Footrest 75° Titanium with plate complete SB38 to titanium frames)	1
14	1544569	(Footrest 75° Titanium with plate complete SB40 to titanium frames)	1
15	1544570	(Footrest 75° Titanium with plate complete SB42 to titanium frames)	1
16	1544571	(Footrest 75° Titanium with plate complete SB44 to titanium frames)	1
17	1547187	(Footrest 75° Titanium with plate complete SB46 to titanium frames)	1
18	1547188	(Footrest 75° Titanium with plate complete SB48 to titanium frames)	1
19	SP1642795	(Footrest 90° Aluminium with plate complete SB32 to titanium frames)	1
20	1544572	(Footrest 90° Aluminium with plate complete SB34 to titanium frames)	1
21	1544573	(Footrest 90° Aluminium with plate complete SB36 to titanium frames)	1
22	1544574	(Footrest 90° Aluminium with plate complete SB38 to titanium frames)	1
23	1544575	(Footrest 90° Aluminium with plate complete SB40 to titanium frames)	1
24	1544576	(Footrest 90° Aluminium with plate complete SB42 to titanium frames)	1
25	1544577	(Footrest 90° Aluminium with plate complete SB44 to titanium frames)	1
26	1544578	(Footrest 90° Aluminium with plate complete SB46 to titanium frames)	1
27	1547192	(Footrest 90° Aluminium with plate complete SB48 to titanium frames)	1
28	SP1642796	(Footrest 90° Aluminium with plate complete SB50 to titanium frames)	1
29	1544579	(Footrest 90° Titanium with plate complete SB34 to titanium frames)	1
30	1544580	(Footrest 90° Titanium with plate complete SB36 to titanium frames)	1

(Footrest standard mounted on frame Titanium)

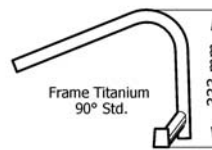
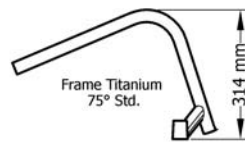
31	1544581	(Footrest 90° Titanium with plate complete SB38 to titanium frames)	1
32	1544582	(Footrest 90° Titanium with plate complete SB40 to titanium frames)	1
33	1544583	(Footrest 90° Titanium with plate complete SB42 to titanium frames)	1
34	1544584	(Footrest 90° Titanium with plate complete SB44 to titanium frames)	1
35	1547193	(Footrest 90° Titanium with plate complete SB46 to titanium frames)	1
36	1547194	(Footrest 90° Titanium with plate complete SB48 to titanium frames)	1
37	SP1642797	(Footrest 75° Aluminium complete SB32 to titanium frames)	1
38	1544425	(Footrest 75° Aluminium complete SB34 to titanium frames)	1
39	1544426	(Footrest 75° Aluminium complete SB36 to titanium frames)	1
40	1544427	(Footrest 75° Aluminium complete SB38 to titanium frames)	1
41	1544428	(Footrest 75° Aluminium complete SB40 to titanium frames)	1
42	1544429	(Footrest 75° Aluminium complete SB42 to titanium frames)	1
43	1544430	(Footrest 75° Aluminium complete SB44 to titanium frames)	1
44	1544431	(Footrest 75° Aluminium complete SB46 to titanium frames)	1
45	1547198	(Footrest 75° Aluminium complete SB48 to titanium frames)	1
46	SP1642798	(Footrest 75° Aluminium complete SB50 to titanium frames)	1
47	1544432	(Footrest 75° Titanium complete SB34 to titanium frames)	1
48	1544433	(Footrest 75° Titanium complete SB36 to titanium frames)	1
49	1544434	(Footrest 75° Titanium complete SB38 to titanium frames)	1
50	1544543	(Footrest 75° Titanium complete SB40 to titanium frames)	1
51	1544544	(Footrest 75° Titanium complete SB42 to titanium frames)	1
52	1544545	(Footrest 75° Titanium complete SB44 to titanium frames)	1
53	1547199	(Footrest 75° Titanium complete SB46 to titanium frames)	1
54	1547200	(Footrest 75° Titanium complete SB48 to titanium frames)	1
55	SP1642799	(Footrest 90° Aluminium complete SB32 to titanium frames)	1
56	1544546	(Footrest 90° Aluminium complete SB34 to titanium frames)	1
57	1544547	(Footrest 90° Aluminium complete SB36 to titanium frames)	1
58	1544548	(Footrest 90° Aluminium complete SB38 to titanium frames)	1
59	1544549	(Footrest 90° Aluminium complete SB40 to titanium frames)	1
60	1544550	(Footrest 90° Aluminium complete SB42 to titanium frames)	1
61	1544551	(Footrest 90° Aluminium complete SB44 to titanium frames)	1
62	1544552	(Footrest 90° Aluminium complete SB46 to titanium frames)	1
63	1547204	(Footrest 90° Aluminium complete SB48 to titanium frames)	1
64	SP1642800	(Footrest 90° Aluminium complete SB50 to titanium frames)	1
65	1544553	(Footrest 90° Titanium complete SB34 to titanium frames)	1
66	1544554	(Footrest 90° Titanium complete SB36 to titanium frames)	1
67	1544555	(Footrest 90° Titanium complete SB38 to titanium frames)	1
68	1544556	(Footrest 90° Titanium complete SB40 to titanium frames)	1
69	1544557	(Footrest 90° Titanium complete SB42 to titanium frames)	1
70	1544558	(Footrest 90° Titanium complete SB44 to titanium frames)	1
71	1547205	(Footrest 90° Titanium complete SB46 to titanium frames)	1
72	1547206	(Footrest 90° Titanium complete SB48 to titanium frames)	1
73	1583594	(Footplate 154mm)	1
74	1583595	(Footplate 174mm)	1
75	1583596	(Footplate 194mm)	1
76	1583597	Kusch voetplaat 214mm cpl	1
77	1583598	K-Serie voetpl.tbv alu beugel 234mm G3/Attr/KSL	1
78	1583599	K-serie voetpl. tbv alu beugel 254mm G3/Attr/KSL	1
79	1583600	(Footplate 274mm)	1
80	1583601	(Footplate 294mm)	1
81	SP1589855	(Footplate Titanium 164mm)	1
82	SP1589856	(Footplate Titanium 184mm)	1
83	SP1589857	(Footplate Titanium 204mm)	1
84	SP1589858	Kusch G3 voetpl zb40 tbv titanium voetbeugel	1
85	SP1589859	(Footplate Titanium 244mm)	1

(Footrest standard mounted on frame Titanium)

86	SP1589860	(Footplate Titanium 264mm)	1
87	SP1589861	(Footplate Titanium 284mm)	1
88	SP1589862	(Footplate Titanium 304mm)	1
89	1544585	(Footplate sleeve Alu to titanium frames)	1
90	1451717	(Footplate sleeve Titanium)	1

(Configuration table for footrest standard mounted on frame Titanium)

		Rear Wheel 24"		Rear Wheel 25"		Rear Wheel 26"			
Frame Titanium 75° Std. (314 mm)	SHv 48	UL29 -> UL36	UL37 -> UL45	SHv 49	UL29 -> UL36	UL37 -> UL46	SHv 50	UL29 -> UL36	UL37 -> UL47
	SHv 49	UL29 -> UL37	UL38 -> UL46	SHv 50	UL29 -> UL37	UL38 -> UL47	SHv 51	UL29 -> UL37	UL38 -> UL48
	SHv 50	UL29 -> UL38	UL39 -> UL47	SHv 51	UL29 -> UL38	UL39 -> UL48	SHv 52	UL29 -> UL38	UL39 -> UL49
Frame Titanium 90° Std. (333 mm)	SHv 48	UL29 -> UL36	UL37 -> UL44	SHv 49	UL29 -> UL36	UL37 -> UL45	SHv 50	UL29 -> UL36	UL37 -> UL46
	SHv 49	UL29 -> UL37	UL38 -> UL45	SHv 50	UL29 -> UL37	UL38 -> UL46	SHv 51	UL29 -> UL37	UL38 -> UL47
	SHv 50	UL29 -> UL38	UL39 -> UL46	SHv 51	UL29 -> UL38	UL39 -> UL47	SHv 52	UL29 -> UL38	UL39 -> UL48

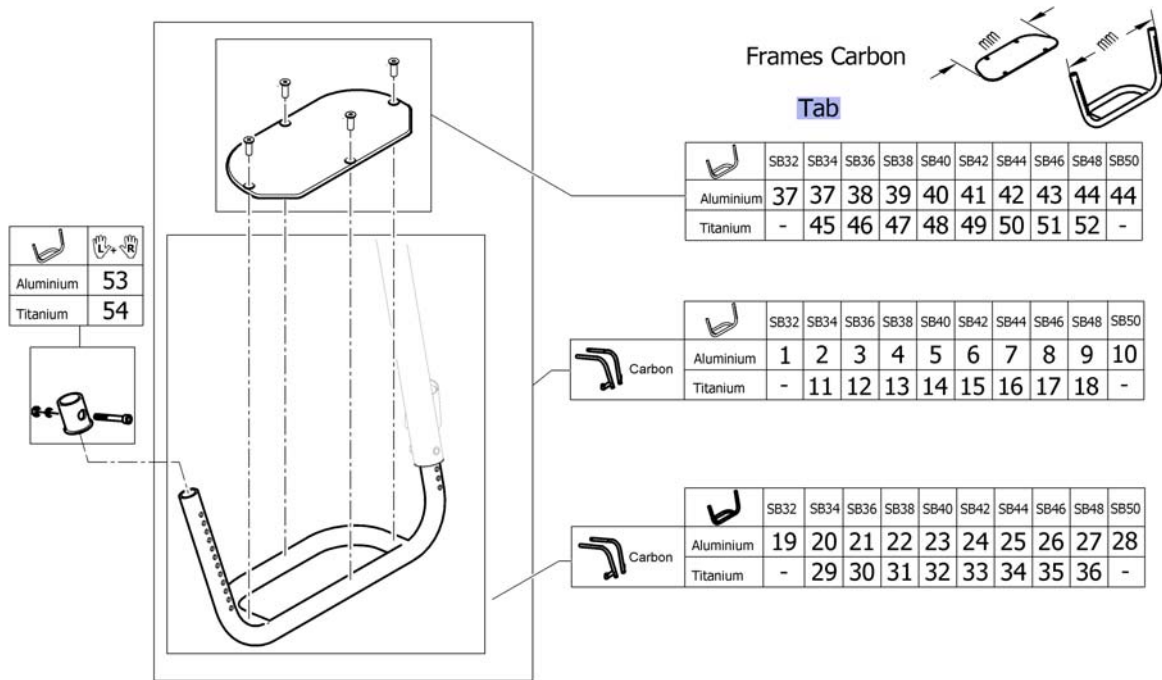


i -

(Knee to heel length (UL) in relationship to frame type, front seat height (SHv) and rear wheel size)

1

(Footrest standard mounted on frame Carbon)



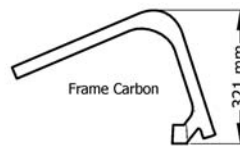
Tab	-	(Configuration table for footrest standard mounted on frame Carbon)	1
1	SP1642804	(Footrest 75° Aluminium with plate complete SB32 for frame carbon)	1
2	SP1589308	(Footrest 75° Aluminium with plate complete SB34 for frame carbon)	1
3	SP1589506	(Footrest 75° Aluminium with plate complete SB36 for frame carbon)	1
4	SP1589507	(Footrest 75° Aluminium with plate complete SB38 for frame carbon)	1
5	SP1589508	(Footrest 75° Aluminium with plate complete SB40 for frame carbon)	1
6	SP1589509	(Footrest 75° Aluminium with plate complete SB42 for frame carbon)	1
7	SP1589510	(Footrest 75° Aluminium with plate complete SB44 for frame carbon)	1
8	SP1589511	(Footrest 75° Aluminium with plate complete SB46 for frame carbon)	1
9	SP1589512	(Footrest 75° Aluminium with plate complete SB48 for frame carbon)	1
10	SP1642805	(Footrest 75° Aluminium with plate complete SB50 for frame carbon)	1
11	1517791	(Footrest 75° Titanium with plate complete SB34)	1
12	1517792	(Footrest 75° Titanium with plate complete SB36)	1
13	1517793	K-Serie 2005 voetbeugel zb38 tit.cpl ps	1
14	1517794	(Footrest 75° Titanium with plate complete SB40)	1
15	1517795	K-Serie 2005 voetbeugel zb42 tit.cpl ps	1
16	1517796	(Footrest 75° Titanium with plate complete SB44)	1
17	1547184	(Footrest 75° Titanium with plate complete SB46)	1
18	1547185	(Footrest 75° Titanium with plate complete SB48)	1
19	SP1642806	(Footrest 75° Aluminium complete SB32 for frame carbon)	1
20	SP1589513	(Footrest 75° Aluminium complete SB34 for frame carbon)	1
21	SP1589514	(Footrest 75° Aluminium complete SB36 for frame carbon)	1
22	SP1589515	(Footrest 75° Aluminium complete SB38 for frame carbon)	1
23	SP1589516	(Footrest 75° Aluminium complete SB40 for frame carbon)	1
24	SP1589517	(Footrest 75° Aluminium complete SB42 for frame carbon)	1
25	SP1589518	(Footrest 75° Aluminium complete SB44 for frame carbon)	1
26	SP1589519	(Footrest 75° Aluminium complete SB46 for frame carbon)	1
27	SP1589795	(Footrest 75° Aluminium complete SB48 for frame carbon)	1
28	SP1642807	(Footrest 75° Aluminium complete SB50 for frame carbon)	1
29	1485853	(Footrest 75° Titanium complete SB34)	1
30	1485854	(Footrest 75° Titanium complete SB36)	1

(Footrest standard mounted on frame Carbon)

31	1485855	K-Serie 2005 voetbeugel zb38 tit.ps	1
32	1485856	K-Serie 2005 voetbeugel zb40 tit.ps	1
33	1485857	K-Serie G3 voetbeugel zb 42 tit.ps	1
34	1485858	(Footrest 75° Titanium complete SB44)	1
35	1547196	(Footrest 75° Titanium complete SB46)	1
36	1547197	(Footrest 75° Titanium complete SB48)	1
37	1583594	(Footplate 154mm)	1
38	1583595	(Footplate 174mm)	1
39	1583596	(Footplate 194mm)	1
40	1583597	Kusch voetplaat 214mm cpl	1
41	1583598	K-Serie voetpl.tbv alu beugel 234mm G3/Attr/KSL	1
42	1583599	K-serie voetpl. tbv alu beugel 254mm G3/Attr/KSL	1
43	1583600	(Footplate 274mm)	1
44	1583601	(Footplate 294mm)	1
45	SP1589855	(Footplate Titanium 164mm)	1
46	SP1589856	(Footplate Titanium 184mm)	1
47	SP1589857	(Footplate Titanium 204mm)	1
48	SP1589858	Kusch G3 voetpl zb40 tbv titanium voetbeugel	1
49	SP1589859	(Footplate Titanium 244mm)	1
50	SP1589860	(Footplate Titanium 264mm)	1
51	SP1589861	(Footplate Titanium 284mm)	1
52	SP1589862	(Footplate Titanium 304mm)	1
53	SP1589796	(Footplate sleeve Alu for frame carbon)	1
54	1451717	(Footplate sleeve Titanium)	1

(Configuration table for footrest standard mounted on frame Carbon)

		Rear Wheel 24"		Rear Wheel 25"		Rear Wheel 26"			
Frame Carbon (321 mm)	SHv 49	UL29 -> UL37	UL38 -> UL46	SHv 49	UL29 -> UL37	UL38 -> UL47	SHv 50	UL29 -> UL37	UL38 -> UL48
	SHv 50	UL29 -> UL38	UL39 -> UL47	SHv 50	UL29 -> UL38	UL39 -> UL48	SHv 51	UL29 -> UL38	UL39 -> UL49



i -

(Knee to heel length (UL) in relationship to frame type, front seat height (SHv) and rear wheel size)

1

(Footrest standard for adducted frame)

Tab

	SB32	SB34	SB36	SB38	SB40	SB42	SB44	SB46	SB48	SB50
Aluminium	77	78	79	80	81	82	83	84	85	86
Titanium	87	88	89	90	91	92	93	94	95	-

Frame adducted		SB32	SB34	SB36	SB38	SB40	SB42	SB44	SB46	SB48	SB50
	Aluminium	1	2	3	4	5	6	7	8	9	10
	Titanium	11	12	13	14	15	16	17	18	19	-
	Aluminium	20	21	22	23	24	25	26	27	28	29
	Titanium	30	31	32	33	34	35	36	37	38	-

Frame adducted		SB32	SB34	SB36	SB38	SB40	SB42	SB44	SB46	SB48	SB50
	Aluminium	39	40	41	42	43	44	45	46	47	48
	Titanium	49	50	51	52	53	54	55	56	57	-
	Aluminium	58	59	60	61	62	63	64	65	66	67
	Titanium	68	69	70	71	72	73	74	75	76	-

If you use a highmounted Footrest take always a SB smaler for adducted frame.

Tab	-	(Configuration table for footrest standard mounted on adducted frame)	1
1	SP1642141	(Footrest 75° Aluminium with plate complete SB32 for adducted frame)	1
2	1547210	(Footrest K4 Aluminium with plate complete SB34 for adducted frame)	1
3	1547211	(Footrest K4 Aluminium with plate complete SB36 for adducted frame)	1
4	1547212	(Footrest K4 Aluminium with plate complete SB38 for adducted frame)	1
5	1547213	(Footrest K4 Aluminium with plate complete SB40 for adducted frame)	1
6	1547214	(Footrest K4 Aluminium with plate complete SB42 for adducted frame)	1
7	1547215	(Footrest K4 Aluminium with plate complete SB44 for adducted frame)	1
8	1547216	(Footrest K4 Aluminium with plate complete SB46 for adducted frame)	1
9	1547217	(Footrest K4 Aluminium with plate complete SB48 for adducted frame)	1
10	SP1642142	(Footrest 75° Aluminium with plate complete SB50 for adducted frame)	1
11	SP1642143	(Footrest 75° Titanium with plate complete SB32 for adducted frame)	1
12	1547218	(Footrest K4 Titanium with plate complete SB34 for adducted frame)	1
13	1547219	(Footrest K4 Titanium with plate complete SB36 for adducted frame)	1
14	1547220	(Footrest K4 Titanium with plate complete SB38 for adducted frame)	1
15	1547221	(Footrest K4 Titanium with plate complete SB40 for adducted frame)	1
16	1547222	(Footrest K4 Titanium with plate complete SB42 for adducted frame)	1
17	1547223	(Footrest K4 Titanium with plate complete SB44 for adducted frame)	1
18	1547224	(Footrest K4 Titanium with plate complete SB46 for adducted frame)	1
19	1547225	(Footrest K4 Titanium with plate complete SB48 for adducted frame)	1
20	SP1642144	(Footrest 90° Aluminium with plate complete SB32 for adducted frame)	1
21	1547226	(Footrest AirLite Aluminium with plate complete SB34 for adducted frame)	1
22	1547227	(Footrest AirLite Aluminium with plate complete SB36 for adducted frame)	1
23	1547228	(Footrest AirLite Aluminium with plate complete SB38 for adducted frame)	1
24	1547229	(Footrest AirLite Aluminium with plate complete SB40 for adducted frame)	1
25	1547230	(Footrest AirLite Aluminium with plate complete SB42 for adducted frame)	1
26	1547231	(Footrest AirLite Aluminium with plate complete SB44 for adducted frame)	1
27	1547232	(Footrest AirLite Aluminium with plate complete SB46 for adducted frame)	1
28	1547233	(Footrest AirLite Aluminium with plate complete SB48 for adducted frame)	1
29	SP1642159	(Footrest 90° Aluminium with plate complete SB50 for adducted frame)	1
30	SP1642160	(Footrest 90° Titanium with plate complete SB32 for adducted frame)	1

(Footrest standard for adducted frame)

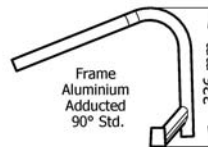
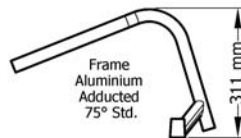
31	1547234	(Footrest AirLite Titanium with plate complete SB34 for adducted frame)	1
32	1547235	(Footrest AirLite Titanium with plate complete SB36 for adducted frame)	1
33	1547236	(Footrest AirLite Titanium with plate complete SB38 for adducted frame)	1
34	1547237	(Footrest AirLite Titanium with plate complete SB40 for adducted frame)	1
35	1547238	(Footrest AirLite Titanium with plate complete SB42 for adducted frame)	1
36	1547239	(Footrest AirLite Titanium with plate complete SB44 for adducted frame)	1
37	1547240	(Footrest AirLite Titanium with plate complete SB46 for adducted frame)	1
38	1547241	(Footrest AirLite Titanium with plate complete SB48 for adducted frame)	1
39	SP1642203	(Footrest 75° Aluminium complete SB32 for adducted frame)	1
40	1547242	(Footrest K4 Aluminium complete SB34 for adducted frame)	1
41	1547243	(Footrest K4 Aluminium complete SB36 for adducted frame)	1
42	1547244	(Footrest K4 Aluminium complete SB38 for adducted frame)	1
43	1547245	(Footrest K4 Aluminium complete SB40 for adducted frame)	1
44	1547246	(Footrest K4 Aluminium complete SB42 for adducted frame)	1
45	1547247	(Footrest K4 Aluminium complete SB44 for adducted frame)	1
46	1547248	(Footrest K4 Aluminium complete SB46 for adducted frame)	1
47	1547249	(Footrest K4 Aluminium complete SB48 for adducted frame)	1
48	SP1642204	(Footrest 75° Aluminium complete SB50 for adducted frame)	1
49	SP1642205	(Footrest 75° Titanium complete SB32 for adducted frame)	1
50	1547250	(Footrest K4 Titanium complete SB34 for adducted frame)	1
51	1547251	(Footrest K4 Titanium complete SB36 for adducted frame)	1
52	1547252	(Footrest K4 Titanium complete SB38 for adducted frame)	1
53	1547253	(Footrest K4 Titanium complete SB40 for adducted frame)	1
54	1547254	(Footrest K4 Titanium complete SB42 for adducted frame)	1
55	1547255	(Footrest K4 Titanium complete SB44 for adducted frame)	1
56	1547256	(Footrest K4 Titanium complete SB46 for adducted frame)	1
57	1547257	(Footrest K4 Titanium complete SB48 for adducted frame)	1
58	SP1642206	(Footrest 90° Aluminium complete SB32 for adducted frame)	1
59	1547258	(Footrest AirLite Aluminium complete SB34 for adducted frame)	1
60	1547259	(Footrest AirLite Aluminium complete SB36 for adducted frame)	1
61	1547260	(Footrest AirLite Aluminium complete SB38 for adducted frame)	1
62	1547261	(Footrest AirLite Aluminium complete SB40 for adducted frame)	1
63	1547262	(Footrest AirLite Aluminium complete SB42 for adducted frame)	1
64	1547263	(Footrest AirLite Aluminium complete SB44 for adducted frame)	1
65	1547264	(Footrest AirLite Aluminium complete SB46 for adducted frame)	1
66	1547265	(Footrest AirLite Aluminium complete SB48 for adducted frame)	1
67	SP1642207	(Footrest 90° Aluminium complete SB50 for adducted frame)	1
68	SP1642208	(Footrest 90° Titanium complete SB32 for adducted frame)	1
69	1547266	(Footrest AirLite Titanium complete SB34 for adducted frame)	1
70	1547267	(Footrest AirLite Titanium complete SB36 for adducted frame)	1
71	1547268	(Footrest AirLite Titanium complete SB38 for adducted frame)	1
72	1547269	(Footrest AirLite Titanium complete SB40 for adducted frame)	1
73	1547270	(Footrest AirLite Titanium complete SB42 for adducted frame)	1
74	1547271	(Footrest AirLite Titanium complete SB44 for adducted frame)	1
75	1547272	(Footrest AirLite Titanium complete SB46 for adducted frame)	1
76	1547273	(Footrest AirLite Titanium complete SB48 for adducted frame)	1
77	SP1642209	(Footplate Aluminium SB32 for adducted frame)	1
78	1547396	(Footplate Aluminium SB34 for adducted frame)	1
79	1547397	(Footplate Aluminium SB36 for adducted frame)	1
80	1547398	(Footplate Aluminium SB38 for adducted frame)	1
81	1547399	(Footplate Aluminium SB40 for adducted frame)	1
82	1547400	(Footplate Aluminium SB42 for adducted frame)	1
83	1547401	(Footplate Aluminium SB44 for adducted frame)	1
84	1547402	(Footplate Aluminium SB46 for adducted frame)	1
85	1547403	(Footplate Aluminium SB48 for adducted frame)	1

(Footrest standard for adducted frame)

86	SP1642210	(Footplate Aluminium SB50 for adducted frame)	1
87	SP1642211	(Footplate Titanium SB32 for adducted frame)	1
88	1547404	(Footplate Titanium SB34 for adducted frame)	1
89	1547405	(Footplate Titanium SB36 for adducted frame)	1
90	1547406	(Footplate Titanium SB38 for adducted frame)	1
91	1547407	(Footplate Titanium SB40 for adducted frame)	1
92	1547408	(Footplate Titanium SB42 for adducted frame)	1
93	1547409	(Footplate Titanium SB44 for adducted frame)	1
94	1547410	(Footplate Titanium SB46 for adducted frame)	1
95	1547411	(Footplate Titanium SB48 for adducted frame)	1
96	1547274	Kusch voetbeugel alu opname bus frame ps KSL/G3	1
97	1451717	(Footplate sleeve Titanium)	1

(Configuration table for footrest standard mounted on adducted frame)

		Rear Wheel 24"		Rear Wheel 25"		Rear Wheel 26"			
Frame Aluminium Adducted 75° (311 mm)	SHv 48	UL29 -> UL36	UL37 -> UL45	SHv 49	UL29 -> UL36	UL37 -> UL46	SHv 50	UL29 -> UL36	UL37 -> UL47
	SHv 49	UL29 -> UL37	UL38 -> UL46	SHv 50	UL29 -> UL37	UL38 -> UL47	SHv 51	UL29 -> UL37	UL38 -> UL48
	SHv 50	UL29 -> UL38	UL39 -> UL47	SHv 51	UL29 -> UL38	UL39 -> UL48	SHv 52	UL29 -> UL38	UL39 -> UL49
Frame Aluminium Adducted 90° (336 mm)	SHv 48	UL29 -> UL36	UL39 -> UL44	SHv 49	UL29 -> UL36	UL39 -> UL45	SHv 50	UL29 -> UL36	UL39 -> UL46
	SHv 49	UL29 -> UL37	UL40 -> UL45	SHv 50	UL29 -> UL37	UL40 -> UL46	SHv 51	UL29 -> UL37	UL40 -> UL47
	SHv 50	UL29 -> UL38	UL41 -> UL46	SHv 51	UL29 -> UL38	UL41 -> UL47	SHv 52	UL29 -> UL38	UL41 -> UL48

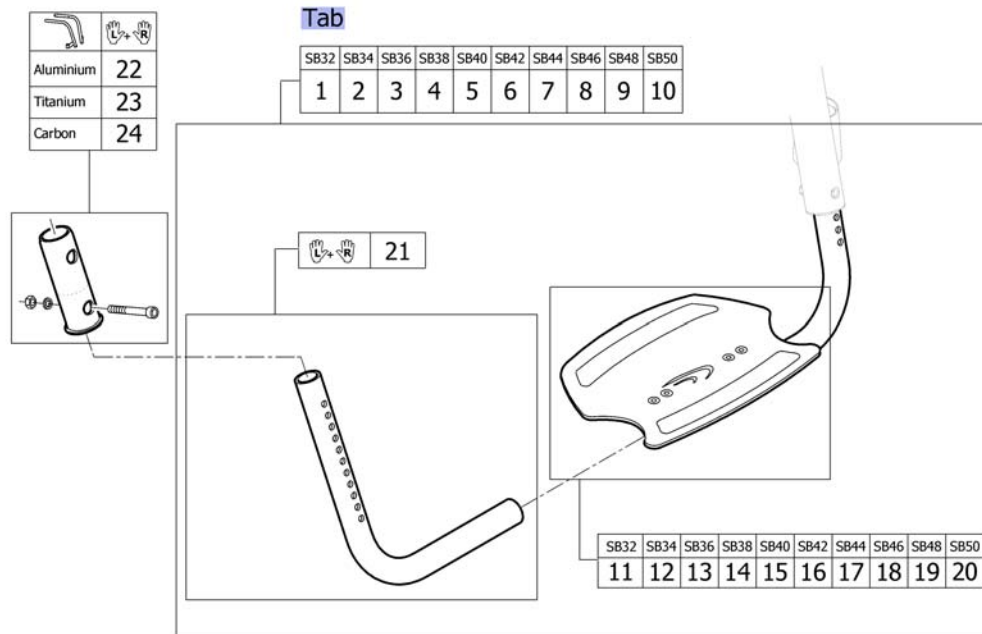


i -

(Knee to heel length (UL) in relationship to frame type, front seat height (SHv) and rear wheel size)

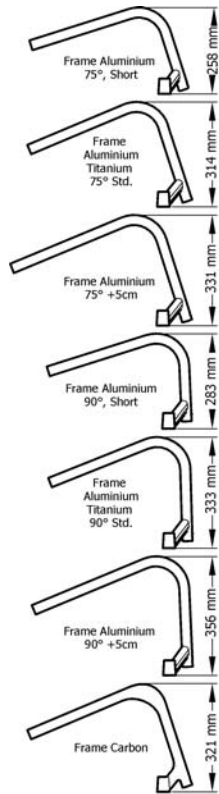
1

(Footrest angle adjustable)



Tab	-	(Configuration table for footrest angle adjustable)	1
1	SP1642818	(Footrest angle adjustable complete SB32)	1
2	SP1642819	(Footrest angle adjustable complete SB34)	1
3	SP1642820	(Footrest angle adjustable complete SB36)	1
4	SP1642821	K-serie G3 voetplaat car bon hv zb 38 cpl	1
5	SP1642822	(Footrest angle adjustable complete SB40)	1
6	SP1642823	(Footrest angle adjustable complete SB42)	1
7	SP1642824	K-serie G3 voetplaat car bon zb44 cpl	1
8	SP1642825	(Footrest angle adjustable complete SB46)	1
9	SP1642826	(Footrest angle adjustable complete SB48)	1
10	SP1642827	(Footrest angle adjustable complete SB50)	1
11	SP1642814	(footplate with clamping part SB32)	1
12	1547369	K-Serie G3 voetpl.carbon hv zb34 ps	1
13	1547370	(footplate with clamping part SB36)	1
14	1547371	K-Serie G3 voetpl.carbon hv zb38 ps	1
15	1547372	K-Serie G3 voetpl.carbon HV zb40 ps	1
16	1547373	K-Serie G3 voetpl.carbon HV zb42 ps	1
17	1547374	K-Serie G3 voetpl.carbon HV zb44 ps	1
18	1547375	K-Serie G3 voetpl.carbon HV ZB46 ps	1
19	1547376	(footplate with clamping part SB48)	1
20	SP1642815	(footplate with clamping part SB50)	1
21	SP1642828	(Telescopic tube kit to footrest angle adjustable)	1
22	1547274	Kusch voetbeugel alu opname bus frame ps KSL/G3	1
23	1544585	(Footplate sleeve Alu to titanium frames)	1
24	SP1589796	(Footplate sleeve Alu for frame carbon)	1

(Configuration table for footrest angle adjustable)

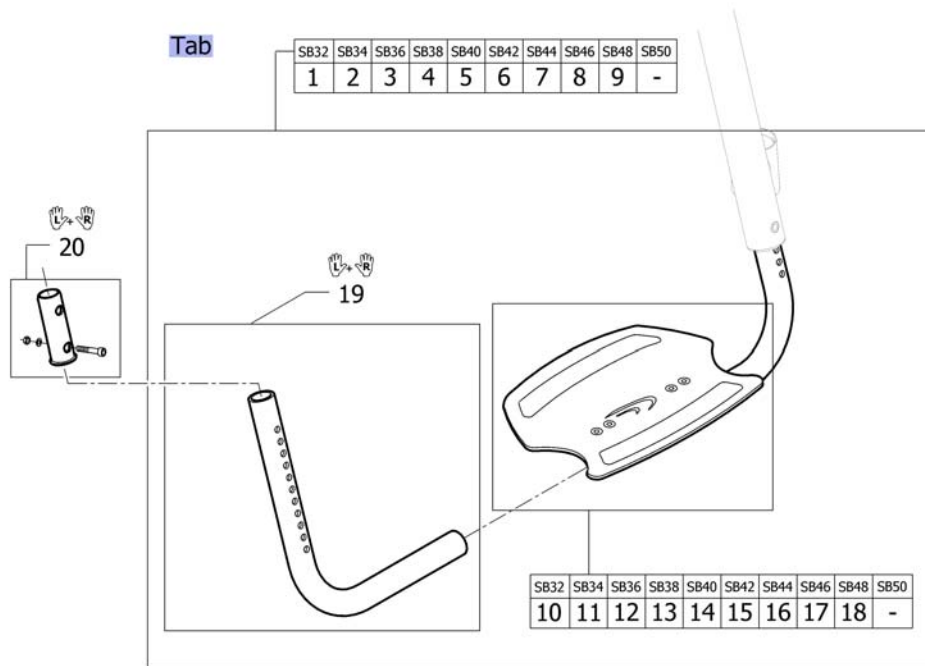


		Rear Wheel 24"		Rear Wheel 25"		Rear Wheel 26"			
		SHv	UL	SHv	UL	SHv	UL		
Frame Aluminium 75° Short (258 mm)	SHv 45	UL29 -> UL32	UL33 -> UL42	SHv 46	UL29 -> UL32	UL33 -> UL43	SHv 47	UL29 -> UL32	UL33 -> UL44
	SHv 46	UL29 -> UL33	UL34 -> UL43	SHv 47	UL29 -> UL33	UL34 -> UL44	SHv 48	UL29 -> UL33	UL34 -> UL45
	SHv 47	UL29 -> UL34	UL35 -> UL44	SHv 48	UL29 -> UL34	UL35 -> UL45	SHv 49	UL29 -> UL34	UL35 -> UL46
Frame Aluminium Titanium 75° Std. (314 mm)	SHv 48	UL29 -> UL36	UL37 -> UL45	SHv 49	UL29 -> UL36	UL37 -> UL46	SHv 50	UL29 -> UL36	UL37 -> UL47
	SHv 49	UL29 -> UL37	UL38 -> UL46	SHv 50	UL29 -> UL37	UL38 -> UL47	SHv 51	UL29 -> UL37	UL38 -> UL48
	SHv 50	UL29 -> UL38	UL39 -> UL47	SHv 51	UL29 -> UL38	UL39 -> UL48	SHv 52	UL29 -> UL38	UL39 -> UL49
Frame Aluminium 75° +5cm (331 mm)	SHv 50	UL29 -> UL38	UL39 -> UL47	SHv 51	UL29 -> UL38	UL39 -> UL48	SHv 52	UL29 -> UL38	UL39 -> UL49
	SHv 51	UL29 -> UL39	UL40 -> UL48	SHv 52	UL29 -> UL39	UL40 -> UL49	SHv 53	UL29 -> UL39	UL40 -> UL50
	SHv 52	UL29 -> UL40	UL41 -> UL49	SHv 53	UL29 -> UL40	UL41 -> UL50	SHv 54	UL29 -> UL40	UL41 -> UL51
Frame Aluminium 90° Short (283 mm)	SHv 45	UL29 -> UL32	UL33 -> UL41	SHv 46	UL29 -> UL32	UL33 -> UL42	SHv 47	UL29 -> UL32	UL33 -> UL43
	SHv 46	UL29 -> UL33	UL34 -> UL42	SHv 47	UL29 -> UL33	UL34 -> UL43	SHv 48	UL29 -> UL33	UL34 -> UL44
	SHv 47	UL29 -> UL34	UL35 -> UL43	SHv 48	UL29 -> UL34	UL35 -> UL44	SHv 49	UL29 -> UL34	UL35 -> UL45
Frame Aluminium Titanium 90° Std. (333 mm)	SHv 48	UL29 -> UL36	UL37 -> UL44	SHv 49	UL29 -> UL36	UL37 -> UL45	SHv 50	UL29 -> UL36	UL37 -> UL46
	SHv 49	UL29 -> UL37	UL38 -> UL45	SHv 50	UL29 -> UL37	UL38 -> UL46	SHv 51	UL29 -> UL37	UL38 -> UL47
	SHv 50	UL29 -> UL38	UL39 -> UL46	SHv 51	UL29 -> UL38	UL39 -> UL47	SHv 52	UL29 -> UL38	UL39 -> UL48
Frame Aluminium 90° +5cm (356 mm)	SHv 50	UL29 -> UL39	UL40 -> UL46	SHv 51	UL29 -> UL39	UL40 -> UL47	SHv 52	UL29 -> UL39	UL40 -> UL48
	SHv 51	UL29 -> UL40	UL41 -> UL47	SHv 52	UL29 -> UL40	UL41 -> UL48	SHv 53	UL29 -> UL40	UL41 -> UL49
	SHv 52	UL29 -> UL41	UL42 -> UL48	SHv 53	UL29 -> UL41	UL42 -> UL49	SHv 54	UL29 -> UL41	UL42 -> UL50
Frame Carbon (321 mm)	SHv 49	UL29 -> UL37	UL38 -> UL46	SHv 46	UL29 -> UL37	UL38 -> UL47	SHv 47	UL29 -> UL37	UL38 -> UL48
	SHv 50	UL29 -> UL38	UL39 -> UL47	SHv 47	UL29 -> UL38	UL39 -> UL48	SHv 48	UL29 -> UL38	UL39 -> UL49

i -

(Knee to heel length (UL) in relationship to frame type, front seat height (SHv) and rear wheel size)

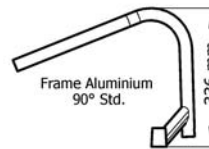
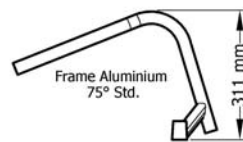
(Footrest angle adjustable for adducted frame)



Tab	-	(Configuration table for footrest angle adjustable mounted on adducted frame)	1
1	SP1642816	(Footrest angle adjustable complete SB32 for adducted frame)	1
2	1547377	(Footrest angle adjustable complete SB34 for adducted frame)	1
3	1547378	(Footrest angle adjustable complete SB36 for adducted frame)	1
4	1547379	(Footrest angle adjustable complete SB38 for adducted frame)	1
5	1547380	K-Serie G3 voetbeug.zb40 H.V.tbv.add.frame cpl	1
6	1547381	K-Serie G3 voetbeug.zb42 h.v.tbv.add.frame cpl	1
7	1547382	(Footrest angle adjustable complete SB44 for adducted frame)	1
8	1547383	(Footrest angle adjustable complete SB46 for adducted frame)	1
9	1547384	(Footrest angle adjustable complete SB48 for adducted frame)	1
10	SP1642817	(Footplate with clamping part SB32 for adducted frame)	1
11	1547386	(footplate with clamping part SB34 for adducted frame)	1
12	1547387	(footplate with clamping part SB36 for adducted frame)	1
13	1547388	(footplate with clamping part SB38 for adducted frame)	1
14	1547389	(footplate with clamping part SB40 for adducted frame)	1
15	1547390	(footplate with clamping part SB42 for adducted frame)	1
16	1547391	(footplate with clamping part SB44 for adducted frame)	1
17	1547392	(footplate with clamping part SB46 for adducted frame)	1
18	1547393	(footplate with clamping part SB48 for adducted frame)	1
19	1547385	(Telescopic tube kit to footrest angle adjustable to adducted frame)	1
18	1547274	Kusch voetbeugel alu opname bus frame ps KSL/G3	1

(Configuration table for footrest angle adjustable mounted on adducted frame)

		Rear Wheel 24"		Rear Wheel 25"		Rear Wheel 26"			
Frame Aluminium Adducted 75° (311 mm)	SHv 48	UL29 -> UL36	UL37 -> UL45	SHv 49	UL29 -> UL36	UL37 -> UL46	SHv 50	UL29 -> UL36	UL37 -> UL47
	SHv 49	UL29 -> UL37	UL38 -> UL46	SHv 50	UL29 -> UL37	UL38 -> UL47	SHv 51	UL29 -> UL37	UL38 -> UL48
	SHv 50	UL29 -> UL38	UL39 -> UL47	SHv 51	UL29 -> UL38	UL39 -> UL48	SHv 52	UL29 -> UL38	UL39 -> UL49
Frame Aluminium Adducted 90° (336 mm)	SHv 48	UL29 -> UL36	UL39 -> UL44	SHv 49	UL29 -> UL36	UL39 -> UL45	SHv 50	UL29 -> UL36	UL39 -> UL46
	SHv 49	UL29 -> UL37	UL40 -> UL45	SHv 50	UL29 -> UL37	UL40 -> UL46	SHv 51	UL29 -> UL37	UL40 -> UL47
	SHv 50	UL29 -> UL38	UL41 -> UL46	SHv 51	UL29 -> UL38	UL41 -> UL47	SHv 52	UL29 -> UL38	UL41 -> UL48

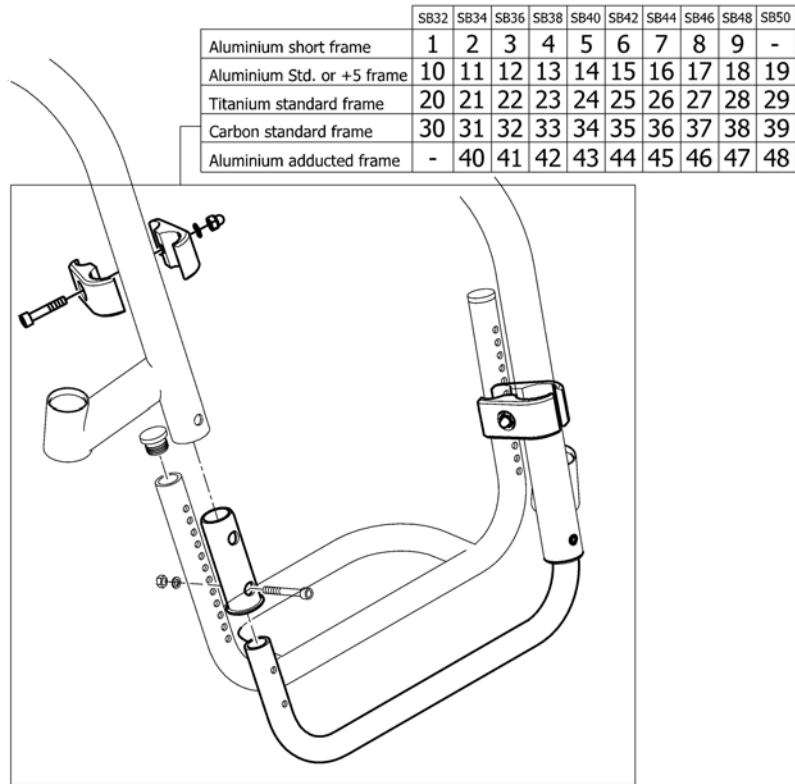


i -

(Knee to heel length (UL) in relationship to frame type, front seat height (SHv) and rear wheel size)

1

(Footrest highmounted)

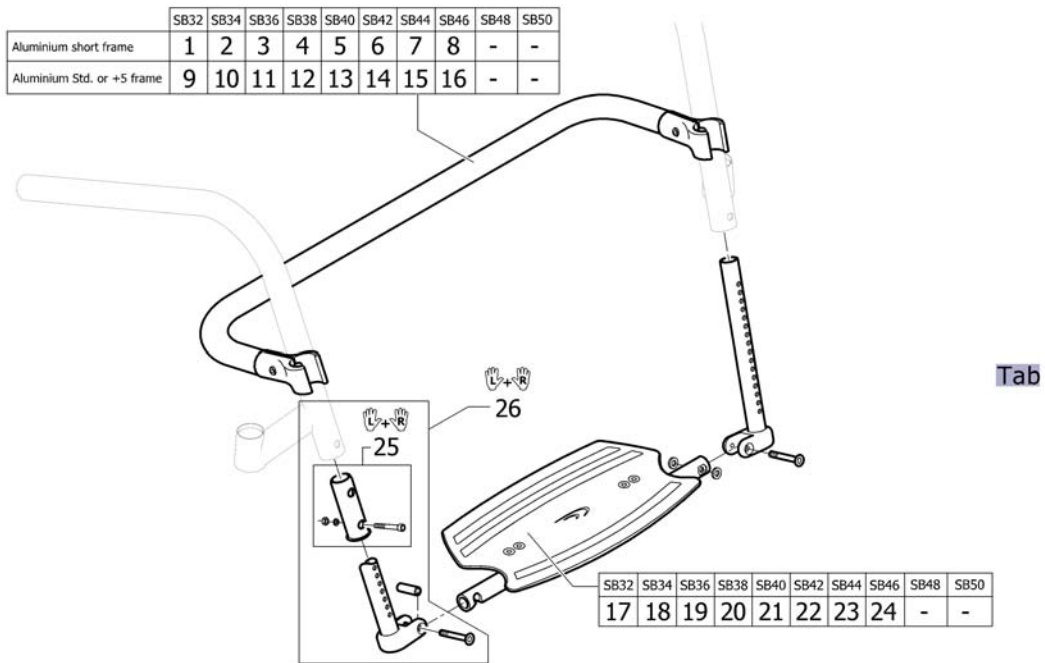


1	SP1640938	(Tube set for footrest, mounted in high position, SB32 for short frame)	1
2	SP1641130	(Tube set for footrest, mounted in high position, SB34 for short frame)	1
3	SP1641131	(Tube set for footrest, mounted in high position, SB36 for short frame)	1
4	SP1641132	(Tube set for footrest, mounted in high position, SB38 for short frame)	1
5	SP1641133	(Tube set for footrest, mounted in high position, SB40 for short frame)	1
6	SP1641134	(Tube set for footrest, mounted in high position, SB42 for short frame)	1
7	SP1641135	(Tube set for footrest, mounted in high position, SB44 for short frame)	1
8	SP1641136	(Tube set for footrest, mounted in high position, SB46 for short frame)	1
9	SP1641246	(Tube set for footrest, mounted in high position, SB48 for short frame)	1
10	SP1641247	(Tube set for footrest, mounted in high position, SB32 for Std. or	1
11	SP1641248	(Tube set for footrest, mounted in high position, SB34 for Std. or	1
12	SP1641249	(Tube set for footrest, mounted in high position, SB36 for Std. or	1
13	SP1641250	K-Series G3 voetplaat verhoging set zb38 cpl	1
14	SP1641251	(Tube set for footrest, mounted in high position, SB40 for Std. or	1
15	SP1641252	(Tube set for footrest, mounted in high position, SB42 for Std. or	1
16	SP1641253	(Tube set for footrest, mounted in high position, SB44 for Std. or	1
17	SP1641254	(Tube set for footrest, mounted in high position, SB46 for Std. or	1
18	SP1641707	(Tube set for footrest, mounted in high position, SB48 for Std. or	1
19	SP1641708	(Tube set for footrest, mounted in high position, SB50 for Std. or	1
20	SP1641709	(Tube set for footrest, mounted in high position, SB32 for titanium frame)	1
21	SP1641710	(Tube set for footrest, mounted in high position, SB34 for titanium frame)	1
22	SP1641857	(Tube set for footrest, mounted in high position, SB36 for titanium frame)	1
23	SP1641858	(Tube set for footrest, mounted in high position, SB38 for titanium frame)	1
24	SP1641859	(Tube set for footrest, mounted in high position, SB40 for titanium frame)	1
25	SP1641860	(Tube set for footrest, mounted in high position, SB42 for titanium frame)	1
26	SP1641861	(Tube set for footrest, mounted in high position, SB44 for titanium frame)	1
27	SP1641939	(Tube set for footrest, mounted in high position, SB46 for titanium frame)	1
28	SP1642028	(Tube set for footrest, mounted in high position, SB48 for titanium frame)	1
29	SP1642082	(Tube set for footrest, mounted in high position, SB50 for titanium frame)	1
30	SP1642083	(Tube set for footrest, mounted in high position, SB32 for carbon frame)	1
31	SP1642084	(Tube set for footrest, mounted in high position, SB34 for carbon frame)	1

(Footrest highmounted)

32	SP1642085	(Tube set for footrest, mounted in high position, SB36 for carbon frame)	1
33	SP1642086	(Tube set for footrest, mounted in high position, SB38 for carbon frame)	1
34	SP1642087	(Tube set for footrest, mounted in high position, SB40 for carbon frame)	1
35	SP1642088	(Tube set for footrest, mounted in high position, SB42 for carbon frame)	1
36	SP1642089	(Tube set for footrest, mounted in high position, SB44 for carbon frame)	1
37	SP1642090	(Tube set for footrest, mounted in high position, SB46 for carbon frame)	1
38	SP1642091	(Tube set for footrest, mounted in high position, SB48 for carbon frame)	1
39	SP1642092	(Tube set for footrest, mounted in high position, SB50 for carbon frame)	1
40	SP1642109	(Tube set for footrest, mounted in high position, SB34 for adducted frame)	1
41	SP1642110	(Tube set for footrest, mounted in high position, SB36 for adducted frame)	1
42	SP1642111	(Tube set for footrest, mounted in high position, SB38 for adducted frame)	1
43	SP1642112	(Tube set for footrest, mounted in high position, SB40 for adducted frame)	1
44	SP1642113	(Tube set for footrest, mounted in high position, SB42 for adducted frame)	1
45	SP1642114	(Tube set for footrest, mounted in high position, SB44 for adducted frame)	1
46	SP1642115	(Tube set for footrest, mounted in high position, SB46 for adducted frame)	1
47	SP1642116	(Tube set for footrest, mounted in high position, SB48 for adducted frame)	1
48	SP1642117	(Tube set for footrest, mounted in high position, SB50 for adducted frame)	1

(Footrest flip-to-side)



Tab	-	(Configuration table for footrest flip-to-side)	1
1	SP1642213	(Reinforcement bar SB32 to Footrest flip to side)	1
2	SP1642214	(Reinforcement bar SB34 to Footrest flip to side)	1
3	SP1642215	(Reinforcement bar SB36 to Footrest flip to side)	1
4	SP1642216	(Reinforcement bar SB38 to Footrest flip to side)	1
5	SP1642217	(Reinforcement bar SB40 to Footrest flip to side)	1
6	SP1642218	K-Serie G3 stab.stang tbv.opkl.voetplaat zb42	1
7	SP1642219	(Reinforcement bar SB44 to Footrest flip to side)	1
8	SP1642220	(Reinforcement bar SB46 to Footrest flip to side)	1
9	SP1642221	(Reinforcement bar SB32 to Footrest flip to side)	1
10	SP1642222	(Reinforcement bar SB34 to Footrest flip to side)	1
11	SP1642223	(Reinforcement bar SB36 to Footrest flip to side)	1
12	SP1642224	(Reinforcement bar SB38 to Footrest flip to side)	1
13	SP1642225	(Reinforcement bar SB40 to Footrest flip to side)	1
14	SP1642226	(Reinforcement bar SB42 to Footrest flip to side)	1
15	SP1642227	(Reinforcement bar SB44 to Footrest flip to side)	1
16	SP1642228	K-serie G3 voetpl.1- delig stab.stang zb 46	1
17	SP1642229	(Footplate to footrest flip-to-side SB32)	1
18	1547336	(Footplate to footrest flip-to-side SB34)	1
19	1547337	(Footplate to footrest flip-to-side SB36)	1
20	1547338	(Footplate to footrest flip-to-side SB38)	1
21	1547339	(Footplate to footrest flip-to-side SB40)	1
22	1547340	K-Serie G3 voetpl.zijw.opklapb.ex.inst.b.zb42	1
23	1547341	(Footplate to footrest flip-to-side SB44)	1
24	1547342	K-serie G3 voetpl.zijw carbon hv zb46 cpl	1
25	1547274	Kusch voetbeugel alu opname bus frame ps KSL/G3	1
26	1547335	K-Serie G3 verst.insteek buis tbv opkl. voetplaat	1

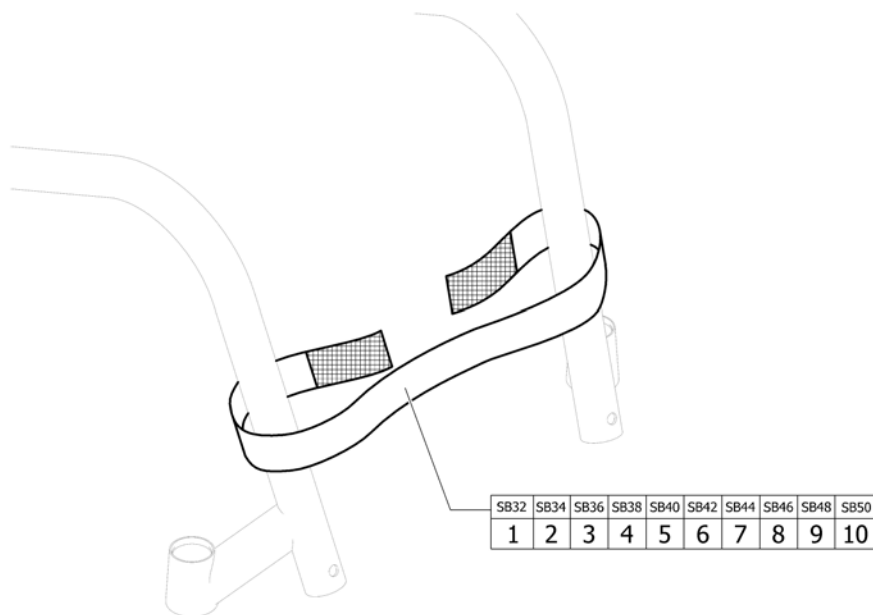
(Configuration table for footrest flip-to-side)

		Rear Wheel 24"		Rear Wheel 25"		Rear Wheel 26"	
Frame Aluminium 75° Short (258 mm)	SHv 45	UL29 -> UL42		SHv 46	UL29 -> UL43	SHv 47	UL29 -> UL44
	SHv 46	UL30 -> UL43		SHv 47	UL30 -> UL44	SHv 48	UL30 -> UL45
	SHv 47	UL31 -> UL44		SHv 48	UL31 -> UL45	SHv 49	UL31 -> UL46
Frame Aluminium 75° Std. (314 mm)	SHv 48	UL33 -> UL45		SHv 49	UL33 -> UL46	SHv 50	UL33 -> UL47
	SHv 49	UL34 -> UL46		SHv 50	UL34 -> UL47	SHv 51	UL34 -> UL48
	SHv 50	UL35 -> UL47		SHv 51	UL35 -> UL48	SHv 52	UL35 -> UL49
Frame Aluminium 75° +5cm (331 mm)	SHv 50	UL35 -> UL47		SHv 51	UL35 -> UL48	SHv 52	UL35 -> UL49
	SHv 51	UL36 -> UL48		SHv 52	UL36 -> UL49	SHv 53	UL36 -> UL50
	SHv 52	UL37 -> UL49		SHv 53	UL37 -> UL50	SHv 54	UL37 -> UL51
Frame Aluminium 90° Short (283 mm)	SHv 45	UL29 -> UL41		SHv 46	UL29 -> UL42	SHv 47	UL29 -> UL43
	SHv 46	UL30 -> UL42		SHv 47	UL30 -> UL43	SHv 48	UL30 -> UL44
	SHv 47	UL31 -> UL43		SHv 48	UL31 -> UL44	SHv 49	UL31 -> UL45
Frame Aluminium 90° Std. (333 mm)	SHv 48	UL33 -> UL44		SHv 49	UL33 -> UL45	SHv 50	UL33 -> UL46
	SHv 49	UL34 -> UL45		SHv 50	UL34 -> UL46	SHv 51	UL34 -> UL47
	SHv 50	UL35 -> UL46		SHv 51	UL35 -> UL47	SHv 52	UL35 -> UL48
Frame Aluminium 90° +5cm (356 mm)	SHv 50	UL36 -> UL46		SHv 51	UL36 -> UL47	SHv 52	UL36 -> UL48
	SHv 51	UL37 -> UL47		SHv 52	UL37 -> UL48	SHv 53	UL37 -> UL49
	SHv 52	UL38 -> UL48		SHv 53	UL38 -> UL49	SHv 54	UL38 -> UL50

i -

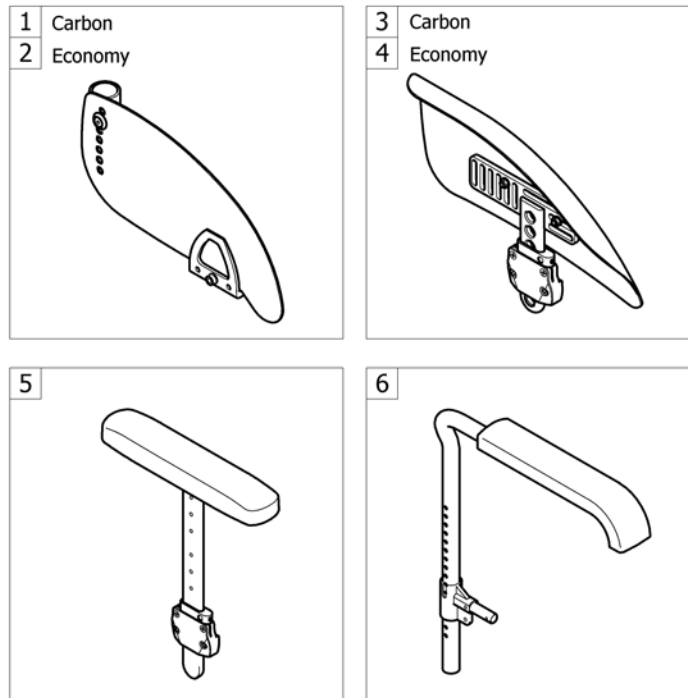
(Knee to heel length (UL) in relationship to frame type, front seat height (SHv) and rear wheel size)

(Calf strap)

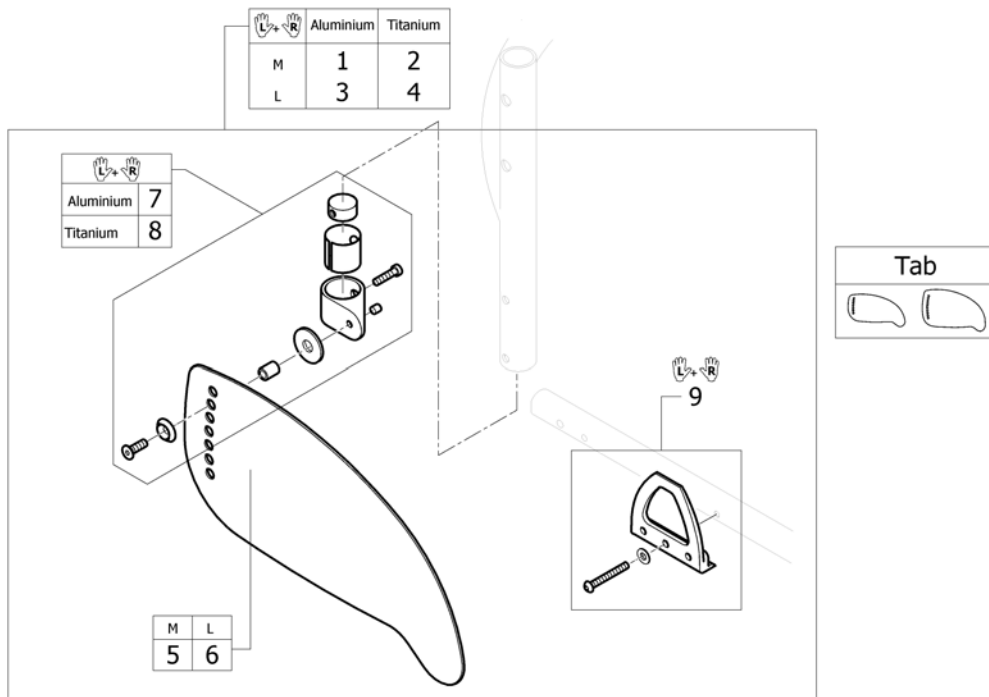


1	SP1640723	(Calf strap complete, SB32)	1
2	1547412	K-Series G3 kuitband zb34	1
3	1547413	(Calf strap complete, SB36)	1
4	1547414	K-Series G3 kuitband ZB38	1
5	1547415	(Calf strap complete, SB40)	1
6	1547416	K-Serie G3 kuitband zb42	1
7	1547417	(Calf strap complete, SB44)	1
8	1547418	K-Serie G3 kuitband zb46	1
9	1547419	K-Series G3 kuitband zb 48cm	1
10	SP1640931	(Calf strap complete, SB50)	1

(SIDERESTS)

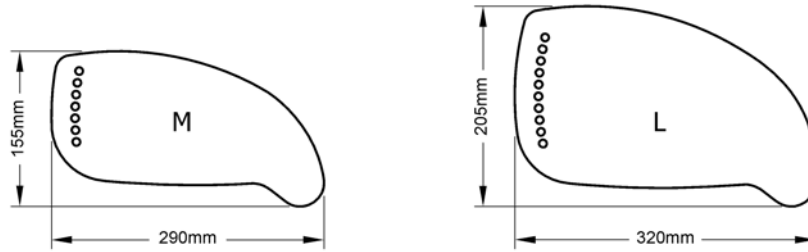


1	-	(Clothes-guards carbon)	1
2	-	(Clothes-guards economy)	1
3	-	(Mudguards carbon)	1
4	-	(Mudguards economy)	1
5	-	(Siderest height adjustable)	1
6	-	(Tubular armrest)	1



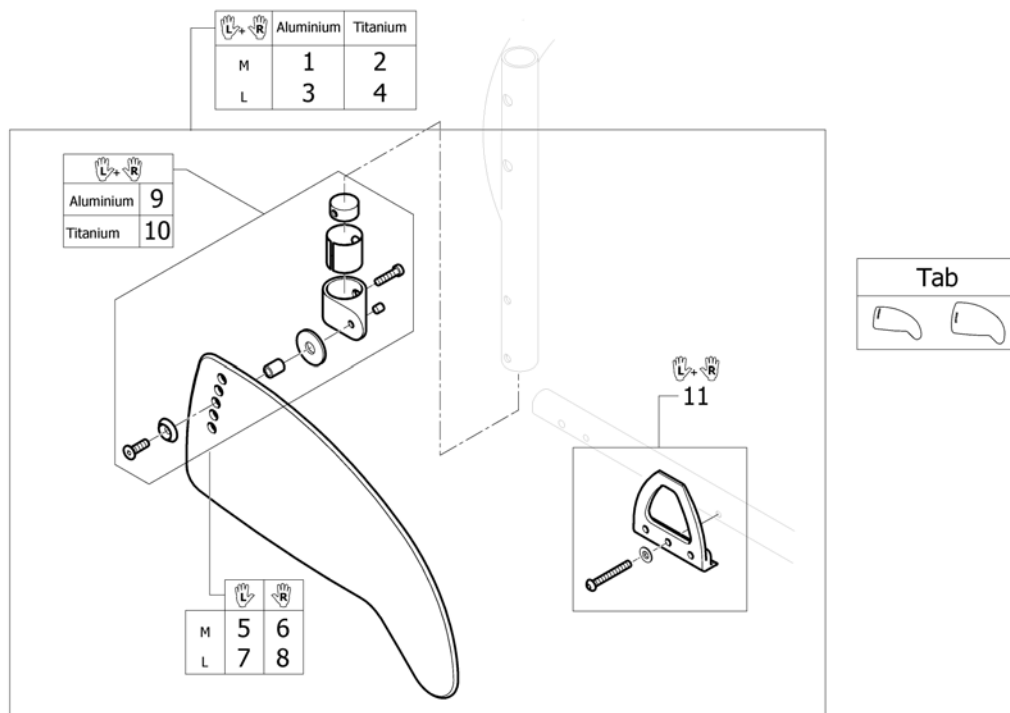
Tab	-	(Configuration table clothes-guard carbon)	1
1	1547457	(Clothes-guards carbon M with fixation kit to backrest Aluminium, pair)	1
2	1547459	(Clothes-guards carbon M with fixation kit to backrest Titan, pair)	1
3	1547458	K-Serie G3 kled.besch. carbon l+bev.cpl pp	1
4	1547460	(Clothes-guards carbon L with fixation kit to backrest Titan, pair)	1
5	1547461	K-Serie G3 kled.besch. carbon maat m ps	1
6	1547462	K-Serie G3 kled.besch. carbon maat l ps	1
7	1547452	K-Serie G3 kled.besch. fixatie op rug ps	1
8	1547453	(Fixation kit clothes-guard carbon to backrest Titanium)	1
9	1547456	K-Serie G3 kled.besch. bev.set op frame ps	1

(Configuration table clothes-guard carbon)



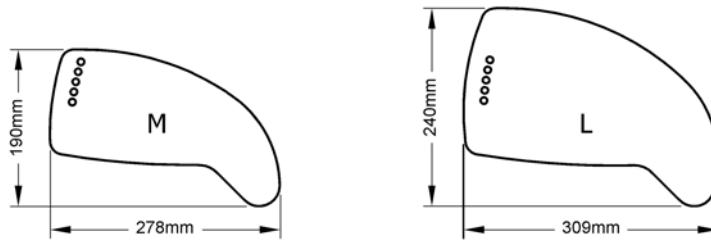
	Rear wheel		
	24"	25"	26"
Rear SH 38cm	L	-	-
Rear SH 39cm	L	L	-
Rear SH 40cm	L	L	L
Rear SH 41cm	L	L	L
Rear SH 42cm	L	L	L
Rear SH 43cm	L	L	L
Rear SH 44cm	L	L	L
Rear SH 45cm	L	L	L
Rear SH 46cm	M	L	L
Rear SH 47cm	M	M	L
Rear SH 48cm	M	M	L
Rear SH 49cm	M	M	L

M	-	(Clothes-guard Size M)	1
L	-	(Clothes-guard Size L)	1



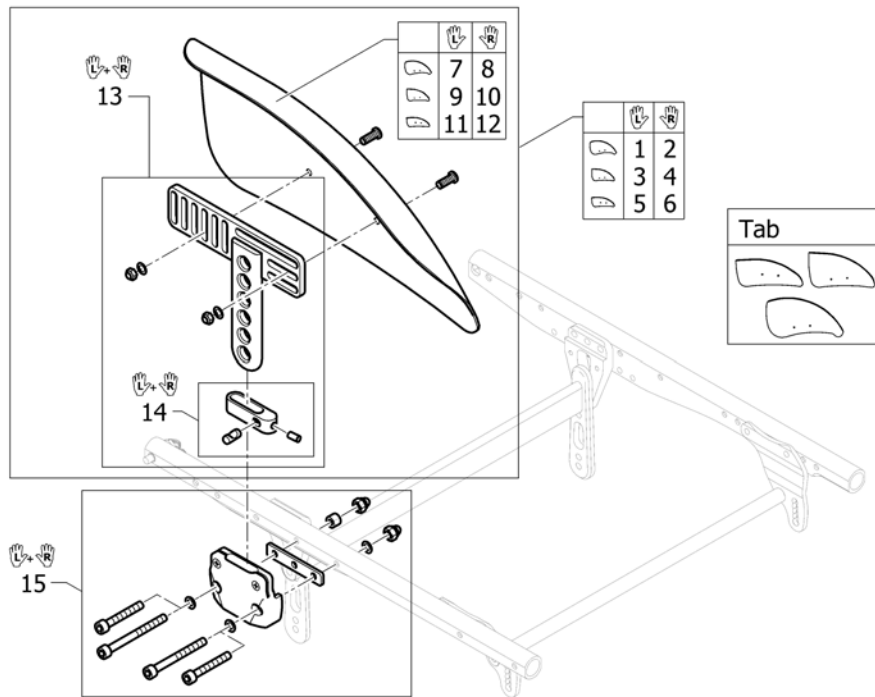
Tab	-	(Configuration table clothes-guard economy)	1
1	1547463	K-serie G3 kled.besch. eco M cpl pp alu frame	1
2	1547465	(Clothes-guards economy M with fixation kit to backrest Titan, pair)	1
3	1547464	K-serie G3 kled.besch. eco L cpl pp alu frame	1
4	1547466	(Clothes-guards economy L with fixation kit to backrest Titan, pair)	1
5	1547467	K-Serie G3 kled.besch. econ.maat m links ps	1
6	1547469	K-Serie G3 kled.besch. econ.maat m rechts ps	1
7	1547468	K-Serie G3 kled.besch. econ.maat l links ps	1
8	1547470	K-Serie G3 kled.besch. econ.maat l rechts ps	1
9	1547454	K-Serie G3 kled.besch. fix.alu pp cpl	1
10	1547455	(Fixation kit clothes-guard economy to backrest Titanium)	1
11	1547456	K-Serie G3 kled.besch. bev.set op frame ps	1

(Configuration table clothes-guard economy)



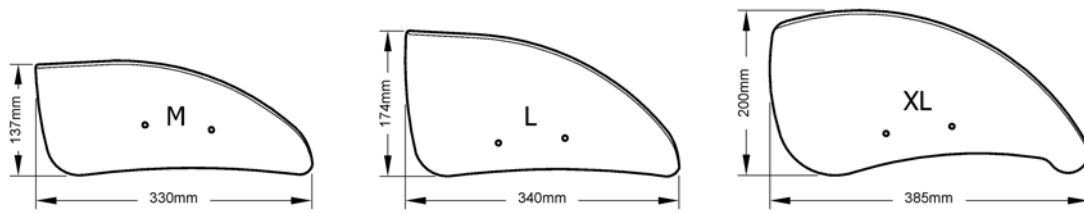
	Rear wheel		
	24"	25"	26"
Rear SH 38cm	L	-	-
Rear SH 39cm	L	L	-
Rear SH 40cm	L	L	L
Rear SH 41cm	L	L	L
Rear SH 42cm	L	L	L
Rear SH 43cm	L	L	L
Rear SH 44cm	L	L	L
Rear SH 45cm	L	L	L
Rear SH 46cm	M	L	L
Rear SH 47cm	M	M	L
Rear SH 48cm	M	M	L
Rear SH 49cm	M	M	L

M	-	(Clothes-guard Size M)	1
L	-	(Clothes-guard Size L)	1



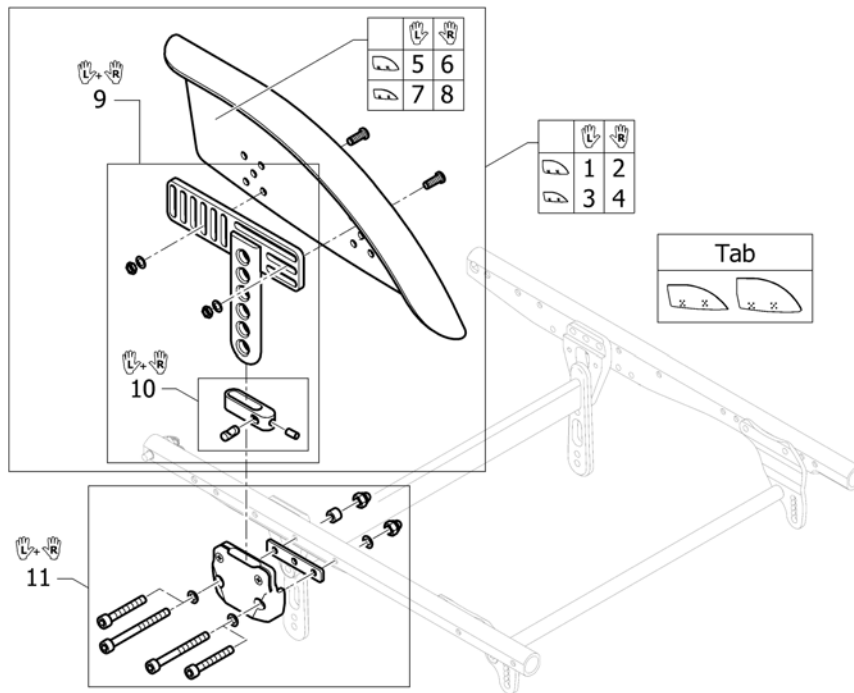
Tab	-	(Configuration and size table mudguards carbon)	1
1	1553158	K-Serie G3 spatbord XL ex.bev.carbon links	1
2	1553203	K-Serie G3 spatbord XL ex.bev.carbon rechts	1
3	1547480	K-Serie G3 spatbord L ex.bev.carbon links cpl	1
4	1547484	K-Serie G3 spatbord L ex.bev.carbon rechts cpl	1
5	1547479	K-serie G3 spatbord M ex.bev.carbon links cpl	1
6	1547483	K-serie G3 spatbord M ex.bev.carbon rechts cpl	1
7	1553137	Kuschall spatbord carbon xl ex metaald li G3/Adv	1
8	1553138	Kuschall spatbord carbon xl ex metaald re G3/Adv	1
9	1547534	Kusch spatbord carbon li	1
10	1547536	Kusch spatbord carbon re	1
11	1547533	Kusch kledingbesch. M carbon links	1
12	1547535	Kusch kledingbesch. M carbon rechts	1
13	1547488	Kusch spatb.carbon bev. plaat pp ex.spatb.G3/Adv	1
14	1547537	Kusch spatbord bev.set tbv.T-stuk pp	1
15	1547487	K-Serie G3 spatbord bev. set op frame pp	1

(Configuration and size table mudguards carbon)



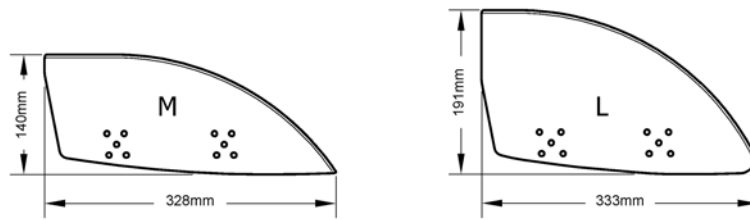
	Rear wheel		
	24"	25"	26"
Rear SH 38cm	XL	-	-
Rear SH 39cm	XL	XL	-
Rear SH 40cm	L	XL	XL
Rear SH 41cm	L	L	XL
Rear SH 42cm	L	L	L
Rear SH 43cm	L	L	L
Rear SH 44cm	L	L	L
Rear SH 45cm	M	L	L
Rear SH 46cm	M	L	L
Rear SH 47cm	M	M	L
Rear SH 48cm	M	M	L
Rear SH 49cm	M	M	L

M	-	(Mudguard carbon Size M)	1
L	-	(Mudguard carbon Size L)	1
XL	-	(Mudguard carbon Size XL)	1



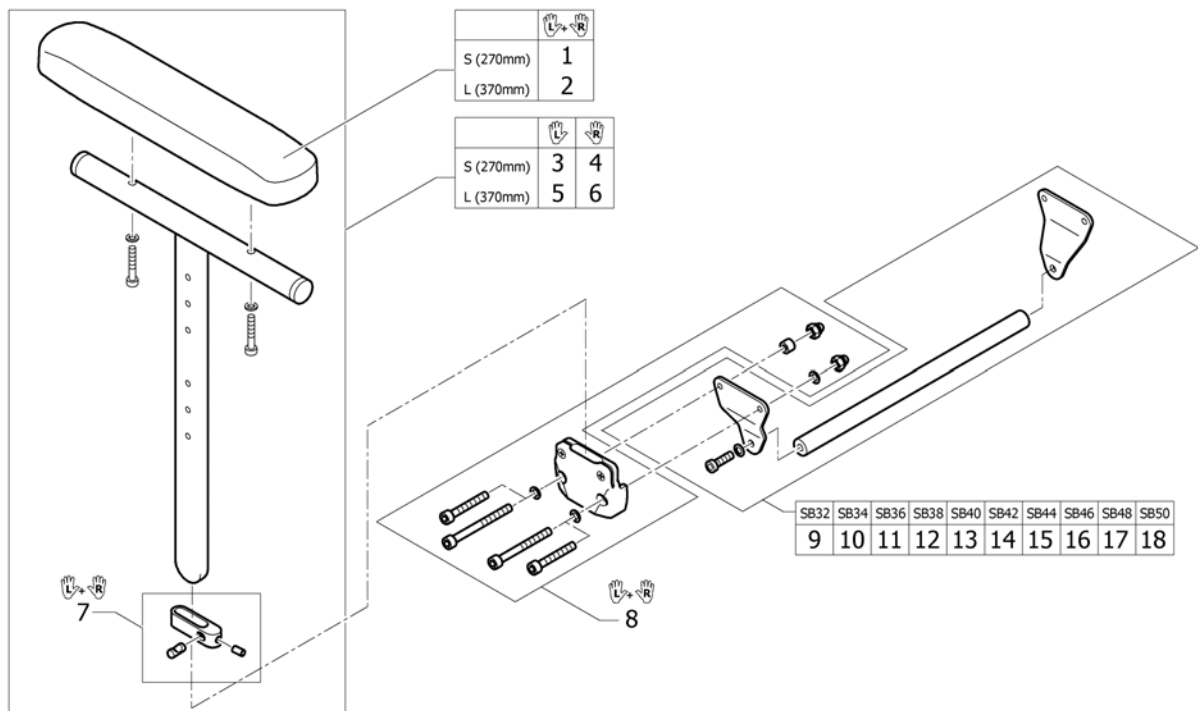
Tab	-	(Configuration table mudguards Economy)	1
1	1547547	Kusch spatbord economy large links incl.bev.	1
2	1547551	Kusch spatbord economy large rechts incl.bev.	1
3	1547546	Kusch spatbord economy medium links incl.bev.	1
4	1547550	Kusch spatbord economy medium rechts incl.bev.	1
5	1547578	Kusch spatbord economy large links	1
6	1547580	Kusch spatbord economy large rechts	1
7	1547556	Kusch spatbord economy medium links	1
8	1547579	Kusch spatbord economy medium rechts	1
9	1547554	(Mudguard Economy holder short, pair)	1
10	1547537	Kusch spatbord bev.set tbv.T-stuk pp	1
11	1547487	K-Serie G3 spatbord bev. set op frame pp	1

(Configuration table mudguards Economy)



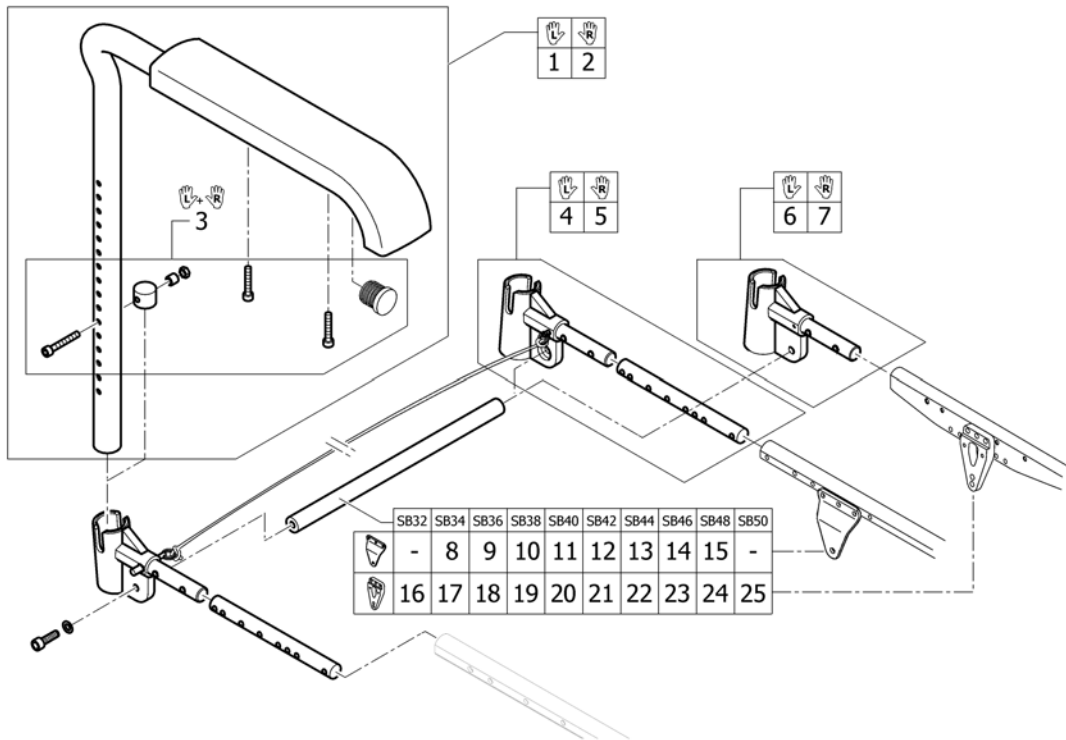
	Rear wheel		
	24"	25"	26"
Rear SH 38cm	L	-	-
Rear SH 39cm	L	L	-
Rear SH 40cm	L	L	L
Rear SH 41cm	L	L	L
Rear SH 42cm	L	L	L
Rear SH 43cm	L	L	L
Rear SH 44cm	M	M	L
Rear SH 45cm	M	M	L
Rear SH 46cm	M	M	M
Rear SH 47cm	M	M	M
Rear SH 48cm	M	M	M
Rear SH 49cm	M	M	M

M	-	(Mudguard Economy Size M)	1
L	-	(Mudguard Economy Size L)	1

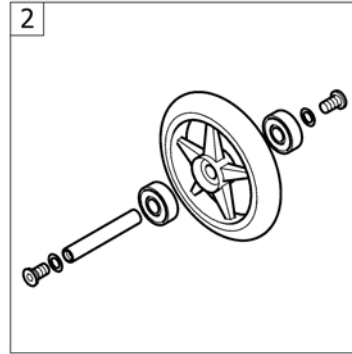
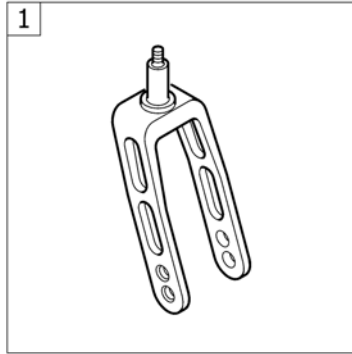


1	1439497	Compact arml.medium pp	1
2	1439498	Compact arml.large pp	1
3	1517678	Kusch armst.i.h.v.kort li >04-08 K-Serie 05	1
4	1517677	Kusch armst.i.h.v.kort re >04-08 K-Serie 05	1
5	1517680	Kusch armst.i.h.v.lang li >04-08 ex.bev.ps	1
6	1517679	Kusch armst.i.h.v.lang re >04-08 ex.bev.ps	1
7	1547537	Kusch spatbord bev.set tbv.T-stuk pp	1
8	1505391	Kusch armst.T-model adap tor op frame pp K4-05/R3	1
9	SP1642471	(Bracket kit for siderest SB32)	1
10	1547602	(Bracket kit for siderest SB34)	1
11	1547603	K-Serie G3 armst.verbindingsas zb36 ps	1
12	1547604	K-Series G3 armst.verbindingsas ZB38 ps	1
13	1547605	K-Serie G3 armst.verbindingsas zb40 ps	1
14	1547606	K-Serie G3 armst.verbindingsas zb42 ps	1
15	1547607	K-Serie G3 armst.verbindingsas zb44 ps	1
16	1547608	K-Serie G3 armst.verbindingsas zb46 ps	1
17	1547609	K-Serie G3 armst.verbindingsas zb48 ps	1
18	SP1642604	K-Series G3 armst.verbindingsas zb50 ps	1

(Tubular armrest)

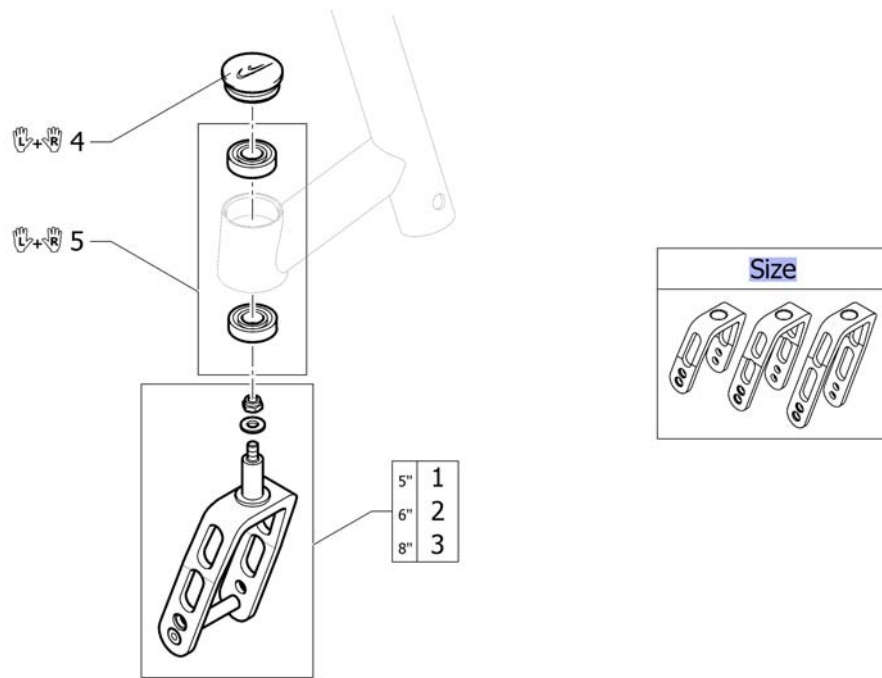


1	913.1013	Life armst.+arml.std. ex.bev.li	1
2	913.1012	Life armst.+arml.std. ex.bev.re	1
3	1547610	(Boltset Armrest)	1
4	1547612	K-Serie G3 armst.adapter links incl.fix+koord	1
5	1547611	K-Serie G3 armst.adapter rechts incl.fix+koord	1
6	SP1642302	(Armrest adapter left incl. Fixation and cord)	1
7	SP1642303	(Armrest adapter right incl. Fixation and cord)	1
8	1547613	(Connection tube for armrest SB34)	1
9	1547614	K-Serie G3 armst.comf. verbindingsas zb36 ps	1
10	1547615	(Connection tube for armrest SB38)	1
11	1547616	K-Serie G3 armst.comf. verbindingsas zb40 ps	1
12	1547617	K-Serie armst.comf. verbindingsas zb42 ps	1
13	1547618	K-Serie armst.comf. verbindingsas zb44 ps	1
14	1547619	K-Serie armst.comf. verbindingsas zb46 ps	1
15	1547620	(Connection tube for armrest SB48)	1
16	SP1642304	(Connection tube for armrest SB32)	1
17	SP1642305	(Connection tube for armrest SB34)	1
18	SP1642306	(Connection tube for armrest SB36)	1
19	SP1642307	(Connection tube for armrest SB38)	1
20	SP1642308	(Connection tube for armrest SB40)	1
21	SP1642309	(Connection tube for armrest SB42)	1
22	SP1642310	(Connection tube for armrest SB44)	1
23	SP1642311	(Connection tube for armrest SB46)	1
24	SP1642312	(Connection tube for armrest SB48)	1
25	SP1642313	(Connection tube for armrest SB50)	1



1	-	(Front forks standard)	1
2	-	(Front wheels)	1

(Front forks standard)

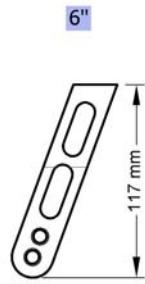


Size	-	(Configuration table for front fork size)		0
1	1432004-0004	Kusch voorw.vork 5'+as zwart ps Champ/Fusion		2
1	1432004-0001	(Front fork 5" with bolt, chrome)	01.01.2013 →	2
1	1432004-0182	Kusch voorw.vork 5'+as champagne ps	01.01.2013 →	2
1	1432004-0183	(Front fork 5" with bolt, olive)		2
1	1432004-0400	Kusch voorw.vork 5'+as techno anth.ps Champ/Fus	01.11.2010 → 31.12.2012	2
1	1432004-0401	Kusch voorw.vork 5'+as CPS lemon ps Champ/Fusio	01.11.2010 → 31.12.2012	2
1	1432004-0402	(Front fork 5" with bolt, apricot)		2
1	1432004-0404	(Front fork 5" with bolt, b-blue)		2
1	1432004-0440	(Front fork 5" with bolt, comet red)		2
1	1432004-0441	(Front fork 5" with bolt, arctic blue)		2
1	1432004-0444	(Front fork 5" with bolt, copper glaze)		2
2	1432005-0004	Kusch voorw.vork 6'+as ps Champ/Fusion		2
2	1432005-0001	(Front fork 6" with bolt, chrome)	01.01.2013 →	2
2	1432005-0182	(Front fork 6" with bolt, champagne)	01.01.2013 →	2
2	1432005-0183	(Front fork 6" with bolt, olive)		2
2	1432005-0400	Kusch voorw.vork 6'+as techno-anth.ps.Champ/Fus	01.11.2010 → 31.12.2012	2
2	1432005-0401	(Front fork 6" with bolt, lemon)	01.11.2010 → 31.12.2012	2
2	1432005-0402	Kusch voorw.vork 6'+as abrikoos		2
2	1432005-0404	Kusch voorw.vork 6'+as b-blue K/R33/Fus/Champ		2
2	1432005-0440	Kusch voorw.vork 6'+as rood ps Champ/Fusion		2
2	1432005-0441	(Front fork 6" with bolt, arctic blue)		2
2	1432005-0444	(Front fork 6" with bolt, copper glaze)		2
3	1432006-0004	Fusion voorw.vork 8' zwart ps		2
3	1432006-0001	(Front fork 8" with bolt, chrome)	01.01.2013 →	2
3	1432006-0182	(Front fork 8" with bolt, champagne)	01.01.2013 →	2
3	1432006-0183	(Front fork 8" with bolt, olive)		2
3	1432006-0400	Fusion voorw.vork 8' techno antharciet ps	01.11.2010 → 31.12.2012	2

(Front forks standard)

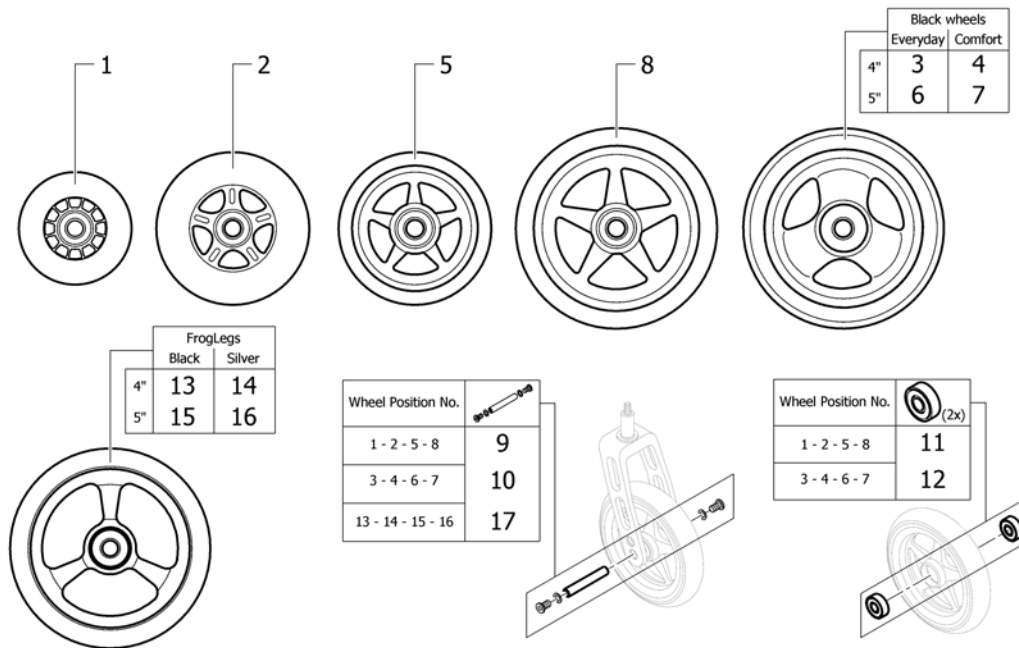
3	1432006-0401	(Front fork 8" with bolt, lemon)	01.11.2010 → 31.12.2012	2
3	1432006-0402	(Front fork 8" with bolt, apricot)		2
3	1432006-0404	(Front fork 8" with bolt, b-blue)		2
3	1432006-0440	(Front fork 8" with bolt, comet red)		2
3	1432006-0441	(Front fork 8" with bolt, arctic blue)		2
3	1432006-0444	(Front fork 8" with bolt, copper glaze)		2
4	1487961-0004	Kusch balhoofd afdekdop zwart pp		1
4	1487961-0001	(Bearing block cap pair, chrome)	01.01.2013 →	1
4	1487961-0182	(Bearing block cap pair, champagne)	01.01.2013 →	1
4	1487961-0183	(Bearing block cap pair, olive)		1
4	1487961-0400	(Bearing block cap pair, techno-anthrazit)	01.11.2010 → 31.12.2012	1
4	1487961-0401	K-Junior balhoofd afdekdop limoen pp	01.11.2010 → 31.12.2012	1
4	1487961-0402	Kusch balhoofd afdekdop abrikoos pp		1
4	1487961-0404	Kusch balhoofd afdekdop b-blauw pp		1
4	1487961-0440	Kusch balhoofd afdekdop rood pp		1
4	1487961-0441	(Bearing block cap pair, arctic blue)		1
4	1487961-0444	(Bearing block cap, pair, copper glaze)		1
5	1451718	K-Serie 2005 voorw.vork lager set (set = 4 st.)		1

(Configuration table for front fork size)



5" -	(Front fork, Size 5")	0
6" -	(Front fork, Size 6")	0
8" -	(Front fork, Size 8")	0

(Front wheels)

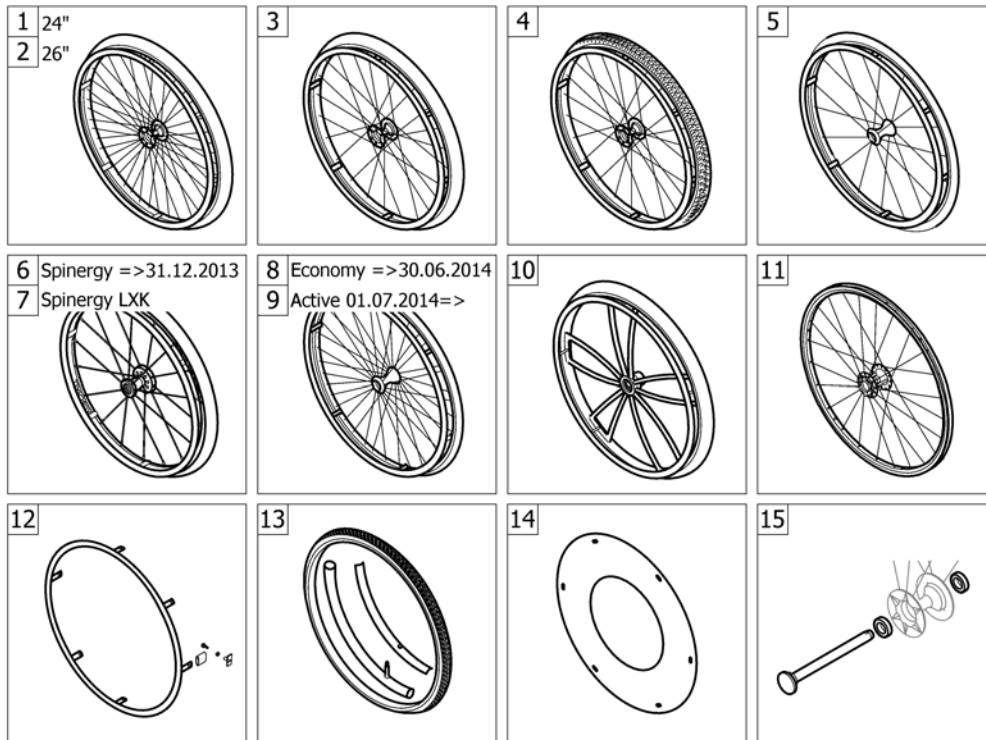


1	1513180	Wiel 3' transp kusch		2
2	1513181	Wiel 4' skate trans ps kusch		2
3	SP1638070	Wiel 4' lichtlopend pp kusch (Everyday) <i>Replaces 1562626</i>	26.06.2017 →	1
4	SP1638072	(4" Comfort wheel, black PU, pair) <i>Replaces 1561139</i>	01.01.2017 →	1
5	1513183-0004	(4" Starec wheel, black anodized) <i>Replaces 1513183-0408</i>		2
5	1513183-0001	(4" Starec wheel, chrome)		2
5	1513183-0182	Wiel 4'starec champagne ps kusch	01.01.2013 →	2
5	1513183-0183	(4" Starec wheel, olive)	01.01.2013 →	2
5	1513183-0400	Wiel 4'starec techno antraciet ps Kusch		2
5	1513183-0401	Wiel 4'starec lemon ps Kusch	01.11.2010 → 31.12.2012	2
5	1513183-0402	(4" Starec wheel, apricot)	01.11.2010 → 31.12.2012	2
5	1513183-0404	(4" Starec wheel, b-blue)		2
5	1513183-0440	Wiel 4'starec rood ps Kusch		2
5	1513183-0441	(4" Starec wheel, arctic blue)		2
5	1513183-0444	Wiel 4' starec copper glaze ps kusch		2
6	SP1638071	wiel 5' every day zwart 3 spaak pp kuschall <i>Replaces 1562627</i>	01.05.2017 →	1
7	SP1638073	(5" Comfort wheel, black PU, pair) <i>Replaces 1542640</i>	01.01.2017 →	1
8	1513187-0004	Wiel 5'starec zwart kusch		2
8	1513187-0001	(5" Starec wheel, chrome)		2
8	1513187-0182	(5" Starec wheel, champagne)	01.01.2013 →	2
8	1513187-0183	(5" Starec wheel, olive)	01.01.2013 →	2
8	1513187-0400	Wiel 5'starec techno antr.ps Kusch		2
8	1513187-0401	(5" Starec wheel, lemon)	01.11.2010 → 31.12.2012	2
8	1513187-0402	Wiel 5'starec apricot ps Kusch	01.11.2010 → 31.12.2012	2
8	1513187-0404	Wiel 5' starec b.blue kusch		2

(Front wheels)

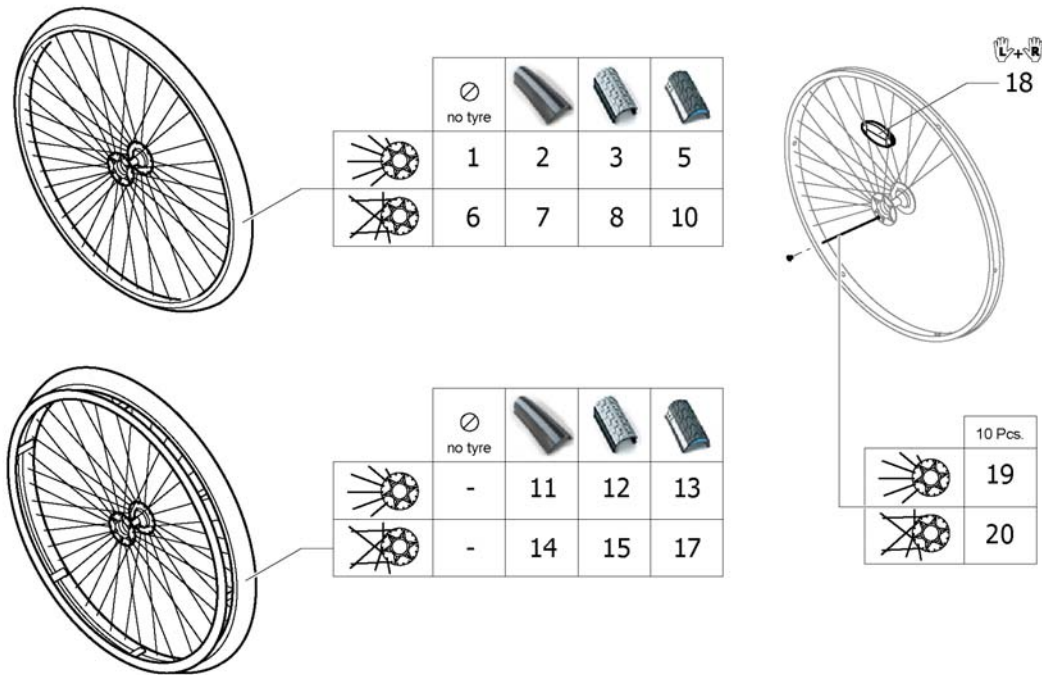
8	1513187-0440	(5" Starec wheel, comet red)	2
8	1513187-0441	(5" Starec wheel, arctic blue)	2
8	1513187-0444	(5" Starec wheel, copper glaze)	2
9	1420972	Kusch as set tbv.starec/ skate wiel	2
10	1570108	Kusch voorw.as pp	2
11	1570104	Kusch voorwiellager pp 608-2RS 8/22x7	2
12	1570105	Kusch voorwiellager pp 6000-2RS	2
13	SP1638082	(4" x1.42 (36mm) FrogLegs EPIC Aluminum Wide Softroll Caster - Black hub)	2
14	SP1638083	(4" x1.42 (36mm) FrogLegs EPIC Aluminum Wide Softroll Caster - Silver hub)	2
15	SP1638084	(5" x1.42 (36mm) FrogLegs EPIC Aluminum Wide Softroll Caster - Black hub)	2
16	SP1638085	(5" x1.42 (36mm) FrogLegs EPIC Aluminum Wide Softroll Caster - Silver hub)	2
17	SP1638076	(Axle set complete 4" and 5" FrogLegs wheels)	2

(REAR WHEELS)



1	-	(24" Starec rear wheels complete)		1
2	-	(26" Starec rear wheels complete)		1
3	-	(High Performance wheel)		1
4	-	(Mountainbike wheel)		1
5	-	(Ultra-light fibre wheel)	01.11.2010 → 31.12.2013	1
6	-	(Spinerger wheel)	01.11.2010 → 31.12.2013	1
7	-	(Spinerger LXX wheel)	01.01.2014 →	1
9	-	(Active wheel 01.07.2014=>)	01.07.2014 →	1
10	-	(Spider wheel)	01.11.2010 → 31.12.2012	1
11	-	(Hub brake wheel)	01.07.2013 →	1
12	-	(Handrim)		1
13	-	(Tyre)		1
14	-	(Spokes guard)		1
15	-	(Quick release axle and bearing)		1

(24" Starec rear wheels complete)



1	1567103-0407	Wiel 24'starec rad.ex bubu/hoepel Kusch ps <i>Replaces 904.1082</i>	01.11.2010 → 31.12.2014	2
1	1567103-0001	(Rear wheel 24" Starec R, chrome, without handrim, without tyre) <i>Replaces 904.1082-0001</i>	01.11.2010 → 31.12.2014	2
1	1567103-0182	(Rear wheel 24" Starec R, champagne, without handrim, without tyre)	01.01.2013 → 31.12.2014	2
1	1567103-0183	(Rear wheel 24" Starec R, olive, without handrim, without tyre)	01.01.2013 → 31.12.2014	2
1	1567103-0400	(Rear wheel 24" Starec R, tecno, without handrim, without tyre) <i>Replaces 904.1082.950</i>	01.11.2010 → 31.12.2014	2
1	1567103-0401	(Rear wheel 24" Starec R, lemon, without handrim, without tyre) <i>Replaces 904.1082.951</i>	01.11.2010 → 31.12.2012	2
1	1567103-0402	(Rear wheel 24" Starec R, apricot, without handrim, without tyre) <i>Replaces 904.1082.954</i>	01.11.2010 → 31.12.2012	2
1	1567103-0404	(Rear wheel 24" Starec R, b-blue, without handrim, without tyre) <i>Replaces 904.1082.957</i>	01.11.2010 → 31.12.2014	2
1	1567103-0440	(Rear wheel 24" Starec R, comet red, without handrim, without tyre) <i>Replaces 904.1082-0440</i>	01.11.2010 → 31.12.2014	2
1	1567103-0441	(Rear wheel 24" Starec R, arctic blue, without handrim, without tyre) <i>Replaces 904.1082-0441</i>	01.11.2010 → 31.12.2014	2
1	1567103-0444	(Rear wheel 24" Starec R, copper glaze, without handrim, without tyre) <i>Replaces 904.1082-0444</i>	01.11.2010 → 31.12.2014	2
2	SP1601744	(Rear wheel 24", Starec hub R, without handrim, Rightrun black/grey) <i>Replaces 904.1161</i>	01.11.2010 → 31.12.2014	2
3	904.1160	(Rear wheel 24", Starec hub R, without handrim, Tread)	01.11.2010 → 31.12.2014	2
5	1554397-0407	(Rear wheel 24", Starec R, colourless, without handrim, marathon evolution)	01.11.2010 → 31.12.2014	2

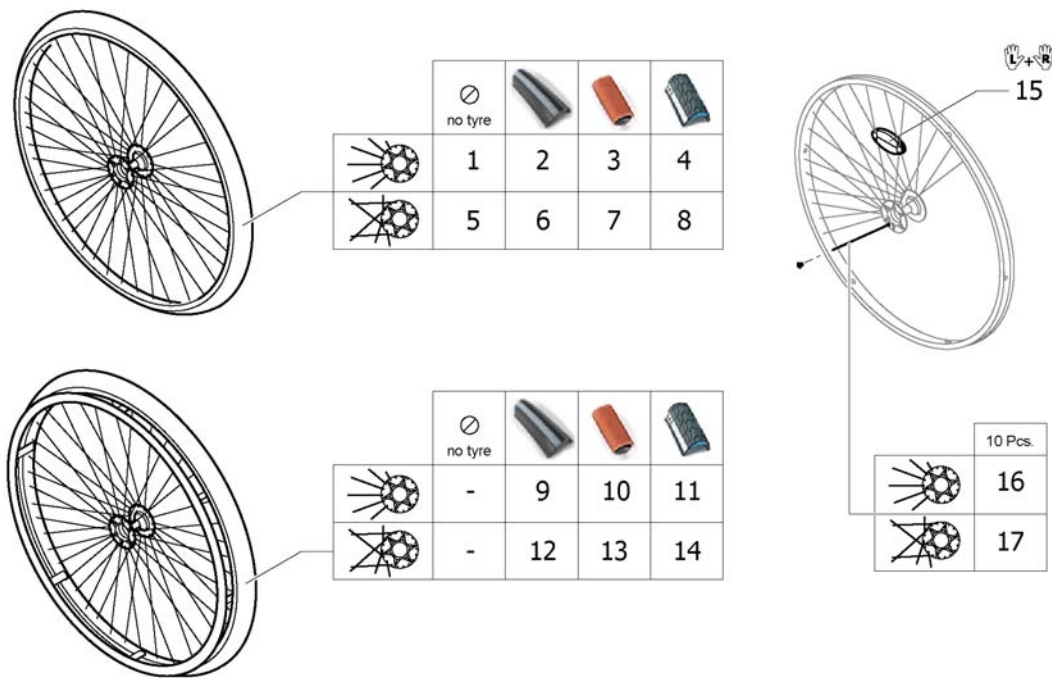
(24" Starec rear wheels complete)

5	1554397-0001	(Rear wheel 24" Starec R, chrome, without handrim, marathon evolution)	01.11.2010 → 31.12.2014	2
5	1554397-0182	(Rear wheel 24" Starec R, champagne, without handrim, marathon evolution)	01.01.2013 → 31.12.2014	2
5	1554397-0183	(Rear wheel 24" Starec R, olive, without handrim, marathon evolution)	01.01.2013 → 31.12.2014	2
5	1554397-0400	(Rear wheel 24" Starec R, tecno, without handrim, marathon evolution)	01.11.2010 → 31.12.2014	2
5	1554397-0401	(Rear wheel 24" Starec R, lemon, without handrim, marathon evolution)	01.11.2010 → 31.12.2012	2
5	1554397-0402	(Rear wheel 24" Starec R, apricot, without handrim, marathon evolution)	01.11.2010 → 31.12.2012	2
5	1554397-0404	(Rear wheel 24" Starec R, b-blue, without handrim, marathon evolution)	01.11.2010 → 31.12.2014	2
5	1554397-0440	(Rear wheel 24" Starec R, comet red, without handrim, marathon evolution)	01.11.2010 → 31.12.2014	2
5	1554397-0441	(Rear wheel 24" Starec R, arctic blue, without handrim, marathon evolution)	01.11.2010 → 31.12.2014	2
5	1554397-0444	(Rear wheel 24" Starec R, copper glaze, without handrim, marathon evolution)	01.11.2010 → 31.12.2014	2
6	1567104-0407	Kusch velg 24'starec gekr.ex.hoepel/buba ps <i>Replaces 1416885</i>		2
6	1567104-0001	(Rear wheel 24", Starec X, chrome, without handrim, without tyre) <i>Replaces 904.1132-0001</i>		2
6	1567104-0182	(Rear wheel 24", Starec X, champagne, without handrim, without tyre)	01.01.2013 →	2
6	1567104-0183	(Rear wheel 24" Starec X, olive, without handrim, without tyre)	01.01.2013 →	2
6	1567104-0400	(Rear wheel 24" Starec X, Tecno, without handrim, without tyre) <i>Replaces 904.1132.950</i>		2
6	1567104-0401	(Rear wheel 24" Starec X, Lemon, without handrim, without tyre) <i>Replaces 904.1132.951</i>	01.11.2010 → 31.12.2012	2
6	1567104-0402	(Rear wheel 24" Starec X, Apricot, without handrim, without tyre) <i>Replaces 904.1132.954</i>	01.11.2010 → 31.12.2012	2
6	1567104-0404	(Rear wheel 24" Starec X, B-blue, without handrim, without tyre) <i>Replaces 904.1132.957</i>		2
6	1567104-0440	(Rear wheel 24" Starec X, Comet red, without handrim, without tyre) <i>Replaces 904.1132-0440</i>		2
6	1567104-0441	Kusch velg 24'starec gekr.ex.hoep/buba cps ab <i>Replaces 904.1132-0441</i>		2
6	1567104-0444	(Rear wheel 24" Starec X, copper glaze, without handrim, without tyre) <i>Replaces 904.1132-0444</i>		2
7	SP1601745	Wiel 24' starec kruis right run ex hoepel ps <i>Replaces 1570471</i>		2
8	904.1141	(Rear wheel 24", Starec hub X, without handrim, Tread)		2
10	1554399-0407	(Rear wheel 24", Starec X, colourless, without handrim, marathon evolution)		2
10	1554399-0001	(Rear wheel 24" Starec X, chrome, without handrim, marathon evolution)		2
10	1554399-0182	(Rear wheel 24" Starec X, champagne, without handrim, marathon evolution)	01.01.2013 →	2
10	1554399-0183	(Rear wheel 24" Starec X, olive, without handrim, marathon evolution)	01.01.2013 →	2
10	1554399-0400	(Rear wheel 24" Starec X, tecno, without handrim, marathon evolution)		2
10	1554399-0401	(Rear wheel 24" Starec X, lemon, without handrim, marathon evolution)	01.11.2010 → 31.12.2012	2
10	1554399-0402	(Rear wheel 24" Starec X, apricot, without handrim, marathon evolution)	01.11.2010 → 31.12.2012	2
10	1554399-0404	(Rear wheel 24" Starec X, b-blue, without handrim, marathon evolution)		2
10	1554399-0440	(Rear wheel 24" Starec X, comet red, without handrim, marathon evolution)		2
10	1554399-0441	(Rear wheel 24" Starec X, arctic blue, without handrim, marathon evolution)		2
10	1554399-0444	(Rear wheel 24" Starec X, copper glaze, without handrim, marathon evolution)		2

(24" Starec rear wheels complete)

11	SP1601746	(Rear wheel 24", Starec hub R, handrim, Rightrun black/grey) <i>Replaces 904.1152</i>	01.11.2010 → 31.12.2014	2
12	904.1151	(Rear wheel 24", Starec hub R, handrim, Tread)	01.11.2010 → 31.12.2014	2
13	1554398-0407	(Rear wheel 24", Starec R, colourless, handrim, marathon evolution)	01.11.2010 → 31.12.2014	2
13	1554398-0001	(Rear wheel 24" Starec R, chrome, handrim, marathon evolution)	01.11.2010 → 31.12.2014	2
13	1554398-0182	(Rear wheel 24" Starec R, champagne, handrim, marathon evolution)	01.01.2013 → 31.12.2014	2
13	1554398-0183	(Rear wheel 24" Starec R, olive, handrim, marathon evolution)	01.01.2013 → 31.12.2014	2
13	1554398-0400	Wiel 24'starec rad.marathon+hoepel techno	01.11.2010 → 31.12.2014	2
13	1554398-0401	(Rear wheel 24" Starec R, lemon, handrim, marathon evolution)	01.11.2010 → 31.12.2012	2
13	1554398-0402	(Rear wheel 24" Starec R, apricot, handrim, marathon evolution)	01.11.2010 → 31.12.2012	2
13	1554398-0404	(Rear wheel 24" Starec R, b-blue, handrim, marathon evolution)	01.11.2010 → 31.12.2014	2
13	1554398-0440	(Rear wheel 24" Starec R, comet red, handrim, marathon evolution)	01.11.2010 → 31.12.2014	2
13	1554398-0441	(Rear wheel 24" Starec R, arctic blue, handrim, marathon evolution)	01.11.2010 → 31.12.2014	2
13	1554398-0444	(Rear wheel 24" Starec R, copper glaze, handrim, marathon evolution)	01.11.2010 → 31.12.2014	2
14	SP1601747	(Rear wheel 24", Starec hub X, handrim, Rightrun black/grey tyre) <i>Replaces 1570472</i>		2
15	904.1125	Wiel 24'starec kruis pro f+hoepel Kusch ps		2
17	1554400-0407	(Rear wheel 24", Starec X, colourless, handrim, marathon evolution)		2
17	1554400-0001	(Rear wheel 24" Starec X, chrome, handrim, marathon evolution)		2
17	1554400-0182	(Rear wheel 24" Starec X, champagne, handrim, marathon evolution)	01.01.2013 →	2
17	1554400-0183	(Rear wheel 24" Starec X, olive, handrim, marathon evolution)	01.01.2013 →	2
17	1554400-0400	(Rear wheel 24" Starec X, tecno, handrim, marathon evolution)		2
17	1554400-0401	(Rear wheel 24" Starec X, lemon, handrim, marathon evolution)	01.11.2010 → 31.12.2012	2
17	1554400-0402	(Rear wheel 24" Starec X, apricot, handrim, marathon evolution)	01.11.2010 → 31.12.2012	2
17	1554400-0404	(Rear wheel 24" Starec X, b-blue, handrim, marathon evolution)		2
17	1554400-0440	(Rear wheel 24" Starec X, comet red, handrim, marathon evolution)		2
17	1554400-0441	(Rear wheel 24" Starec X, arctic blue, handrim, marathon evolution)		2
17	1554400-0444	(Rear wheel 24" Starec X, copper glaze, handrim, marathon evolution)		2
18	1571073	Kusch reflector in wiel pp <i>Replaces 220.1033</i>		1
19	1579084	Kusch spaak 24' starec radiaal 10st.	01.11.2010 → 31.12.2014	1
20	1579086	Kusch spaak 24' starec gekruisd 10st.		1

(26" Starec rear wheels complete)



1	1567098-0407	Kusch velg 26"starec rad kleurl.ex.hoepel/band ps <i>Replaces 904.1083</i>	01.11.2010 → 31.12.2014	2
1	1567098-0001	(Rear wheel 26" Starec R, chrome, without handrim, without tyre) <i>Replaces 904.1083-0001</i>	01.11.2010 → 31.12.2014	2
1	1567098-0182	(Rear wheel 26" Starec R, champagne, without handrim, without tyre)	01.01.2013 → 31.12.2014	2
1	1567098-0183	(Rear wheel 26" Starec R, olive, without handrim, without tyre)	01.01.2013 → 31.12.2014	2
1	1567098-0400	(Rear wheel 26" Starec R, tecno, without handrim, without tyre) <i>Replaces 904.1083.950</i>	01.11.2010 → 31.12.2014	2
1	1567098-0401	(Rear wheel 26" Starec R, lemon, without handrim, without tyre) <i>Replaces 904.1083.951</i>	01.11.2010 → 31.12.2012	2
1	1567098-0402	(Rear wheel 26" Starec R, apricot, without handrim, without tyre) <i>Replaces 904.1083.954</i>	01.11.2010 → 31.12.2012	2
1	1567098-0404	(Rear wheel 26" Starec R, b-blue, without handrim, without tyre) <i>Replaces 904.1083.957</i>	01.11.2010 → 31.12.2014	2
1	1567098-0440	(Rear wheel 26" Starec R, comet red, without handrim, without tyre) <i>Replaces 904.1083-0440</i>	01.11.2010 → 31.12.2014	2
1	1567098-0441	(Rear wheel 26" Starec R, arctic blue, without handrim, without tyre) <i>Replaces 904.1083-0441</i>	01.11.2010 → 31.12.2014	2
1	1567098-0444	(Rear wheel 26" Starec R, copper glaze, without handrim, without tyre) <i>Replaces 904.1083-0444</i>	01.11.2010 → 31.12.2014	2
2	SP1601748	(Rear wheel 26", Starec hub R, without handrim, Rightrun black/grey) <i>Replaces 904.1196</i>	01.11.2010 → 31.12.2014	2
3	904.1165	(Rear wheel 26", Starec hub R, without handrim, indoor sports)	01.11.2010 → 31.12.2012	2
4	1554401-0407	(Rear wheel 26", Starec R, colourless, without handrim, marathon evolution)	01.11.2010 → 31.12.2014	2

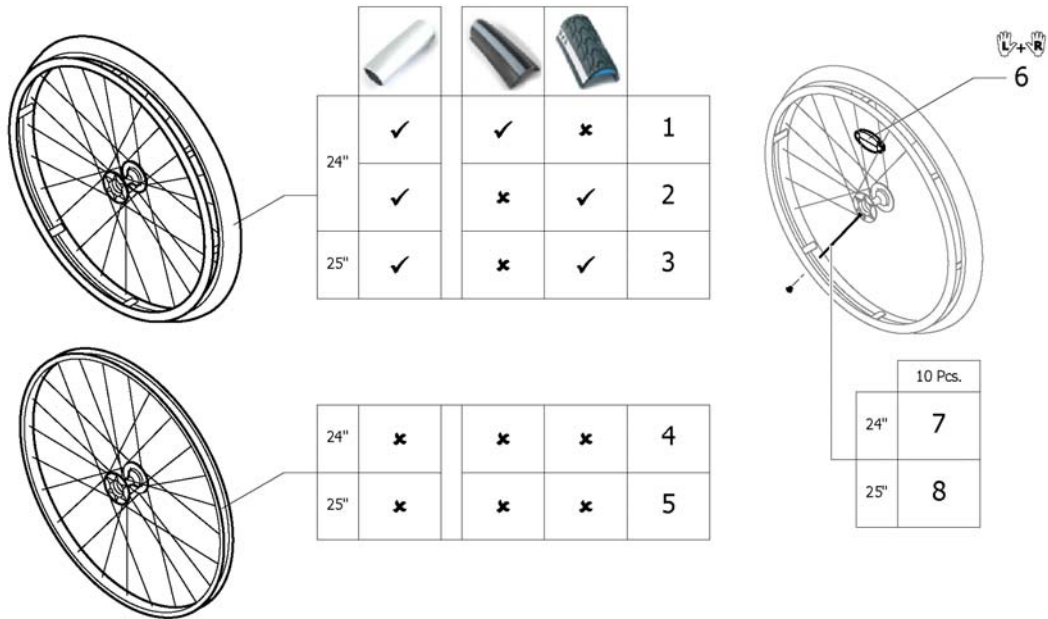
(26" Starec rear wheels complete)

4	1554401-0001	(Rear wheel 26" Starec R, chrome, without handrim, marathon evolution)	01.11.2010 → 31.12.2014	2
4	1554401-0182	(Rear wheel 26" Starec R, champagne, without handrim, marathon evolution)	01.01.2013 → 31.12.2014	2
4	1554401-0183	(Rear wheel 26" Starec R, olive, without handrim, marathon evolution)	01.01.2013 → 31.12.2014	2
4	1554401-0400	(Rear wheel 26" Starec R, tecno, without handrim, marathon evolution)	01.11.2010 → 31.12.2014	2
4	1554401-0401	(Rear wheel 26" Starec R, lemon, without handrim, marathon evolution)	01.11.2010 → 31.12.2012	2
4	1554401-0402	(Rear wheel 26" Starec R, apricot, without handrim, marathon evolution)	01.11.2010 → 31.12.2012	2
4	1554401-0404	(Rear wheel 26" Starec R, b-blue, without handrim, marathon evolution)	01.11.2010 → 31.12.2014	2
4	1554401-0440	(Rear wheel 26" Starec R, comet red, without handrim, marathon evolution)	01.11.2010 → 31.12.2014	2
4	1554401-0441	(Rear wheel 26" Starec R, arctic blue, without handrim, marathon evolution)	01.11.2010 → 31.12.2014	2
4	1554401-0444	(Rear wheel 26" Starec R, copper glaze, without handrim, marathon evolution)	01.11.2010 → 31.12.2014	2
5	1567099-0407	(Rear wheel 26", Starec X, colourless, without handrim, without tyre) <i>Replaces 904.1133</i>		2
5	1567099-0001	(Rear wheel 26", Starec X, chrome, without handrim, without tyre) <i>Replaces 904.1133-0001</i>		2
5	1567099-0182	(Rear wheel 26", Starec X, champagne, without handrim, without tyre)	01.01.2013 →	2
5	1567099-0183	(Rear wheel 26" Starec X, olive, without handrim, without tyre)	01.01.2013 →	2
5	1567099-0400	(Rear wheel 26" Starec X, Tecno, without handrim, without tyre) <i>Replaces 904.1133.950</i>		2
5	1567099-0401	(Rear wheel 26" Starec X, Lemon, without handrim, without tyre) <i>Replaces 904.1133.951</i>	01.11.2010 → 31.12.2012	2
5	1567099-0402	(Rear wheel 26" Starec X, Apricot, without handrim, without tyre) <i>Replaces 904.1133.954</i>	01.11.2010 → 31.12.2012	2
5	1567099-0404	(Rear wheel 26" Starec X, B-blue, without handrim, without tyre) <i>Replaces 904.1133.957</i>		2
5	1567099-0440	(Rear wheel 26" Starec X, Comet red, without handrim, without tyre) <i>Replaces 904.1133-0440</i>		2
5	1567099-0441	(Rear wheel 26" Starec X, arctic blue, without handrim, without tyre) <i>Replaces 904.1133-0441</i>		2
5	1567099-0444	(Rear wheel 26" Starec X, copper glaze, without handrim, without tyre) <i>Replaces 904.1133-0444</i>		2
6	SP1601749	(Rear wheel 26", Starec hub X, without handrim, Rightrun black/grey) <i>Replaces 904.1190</i>		2
7	904.1146	(Rear wheel 26", Starec hub X, without handrim, Indoor sports)	01.11.2010 → 31.12.2012	2
8	1554403-0407	Wiel 26' starec gekr. buba mar.evo ex hoepel		2
8	1554403-0001	(Rear wheel 26" Starec X, chrome, without handrim, marathon evolution)		2
8	1554403-0182	(Rear wheel 26" Starec X, champagne, without handrim, marathon evolution)	01.01.2013 →	2
8	1554403-0183	(Rear wheel 26" Starec X, olive, without handrim, marathon evolution)	01.01.2013 →	2
8	1554403-0400	(Rear wheel 26" Starec X, tecno, without handrim, marathon evolution)		2
8	1554403-0401	(Rear wheel 26" Starec X, lemon, without handrim, marathon evolution)	01.11.2010 → 31.12.2012	2
8	1554403-0402	(Rear wheel 26" Starec X, apricot, without handrim, marathon evolution)	01.11.2010 → 31.12.2012	2
8	1554403-0404	(Rear wheel 26" Starec X, b-blue, without handrim, marathon evolution)		2
8	1554403-0440	(Rear wheel 26" Starec X, comet red, without handrim, marathon evolution)		2
8	1554403-0441	(Rear wheel 26" Starec X, arctic blue, without handrim, marathon evolution)		2
8	1554403-0444	(Rear wheel 26" Starec X, copper glaze, without handrim, marathon evolution)		2

(26" Starec rear wheels complete)

9	SP1601750	(Rear wheel 26", Starec hub R, handrim, Rightrun black/grey) <i>Replaces 904.1193</i>	01.11.2010 → 31.12.2014	2
10	904.1155	(Rear wheel 26", Starec hub R, handrim, Indoor sports)	01.11.2010 → 31.12.2012	2
11	1554402-0407	(Rear wheel 26", Starec R, colourless, handrim, marathon evolution)	01.11.2010 → 31.12.2014	2
11	1554402-0001	(Rear wheel 26" Starec R, chrome, handrim, marathon evolution)	01.11.2010 → 31.12.2014	2
11	1554402-0182	(Rear wheel 26" Starec R, champagne, handrim, marathon evolution)	01.01.2013 → 31.12.2014	2
11	1554402-0183	(Rear wheel 26" Starec R, olive, handrim, marathon evolution)	01.01.2013 → 31.12.2014	2
11	1554402-0400	(Rear wheel 26" Starec R, tecno, handrim, marathon evolution)	01.11.2010 → 31.12.2014	2
11	1554402-0401	(Rear wheel 26" Starec R, lemon, handrim, marathon evolution)	01.11.2010 → 31.12.2012	2
11	1554402-0402	(Rear wheel 26" Starec R, apricot, handrim, marathon evolution)	01.11.2010 → 31.12.2012	2
11	1554402-0404	(Rear wheel 26" Starec R, b-blue, handrim, marathon evolution)	01.11.2010 → 31.12.2014	2
11	1554402-0440	(Rear wheel 26" Starec R, comet red, handrim, marathon evolution)	01.11.2010 → 31.12.2014	2
11	1554402-0441	(Rear wheel 26" Starec R, arctic blue, handrim, marathon evolution)	01.11.2010 → 31.12.2014	2
11	1554402-0444	(Rear wheel 26" Starec R, copper glaze, handrim, marathon evolution)	01.11.2010 → 31.12.2014	2
12	SP1601751	Wiel 26'starec kruis lic htlopen+hoepel kusch ps <i>Replaces 904.1187</i>		2
13	904.1129	(Rear wheel 26", Starec hub X, handrim, Indoor sports)	01.11.2010 → 31.12.2012	2
14	1554417-0407	Wiel 26'starec gekr.mara thon evo+hoepel ps		2
14	1554417-0001	Wiel 26 starec		2
14	1554417-0182	(Rear wheel 26" Starec X, champagne, handrim, marathon evolution)	01.01.2013 →	2
14	1554417-0183	(Rear wheel 26" Starec X, olive, handrim, marathon evolution)	01.01.2013 →	2
14	1554417-0400	(Rear wheel 26" Starec X, tecno, handrim, marathon evolution)		2
14	1554417-0401	(Rear wheel 26" Starec X, lemon, handrim, marathon evolution)	01.11.2010 → 31.12.2012	2
14	1554417-0402	(Rear wheel 26" Starec X, apricot, handrim, marathon evolution)	01.11.2010 → 31.12.2012	2
14	1554417-0404	(Rear wheel 26" Starec X, b-blue, handrim, marathon evolution)		2
14	1554417-0440	(Rear wheel 26" Starec X, comet red, handrim, marathon evolution)		2
14	1554417-0441	(Rear wheel 26" Starec X, arctic blue, handrim, marathon evolution)		2
14	1554417-0444	(Rear wheel 26" Starec X, copper glaze, handrim, marathon evolution)		2
15	1571073	Kusch reflector in wiel pp <i>Replaces 220.1033</i>		1
16	1579089	Kusch spaak 26' starec radiaal set 10 st.	01.11.2010 → 31.12.2014	1
17	1579090	Kusch spaak 26' starec gekruisd set 10st.		1

(High Performance wheel)



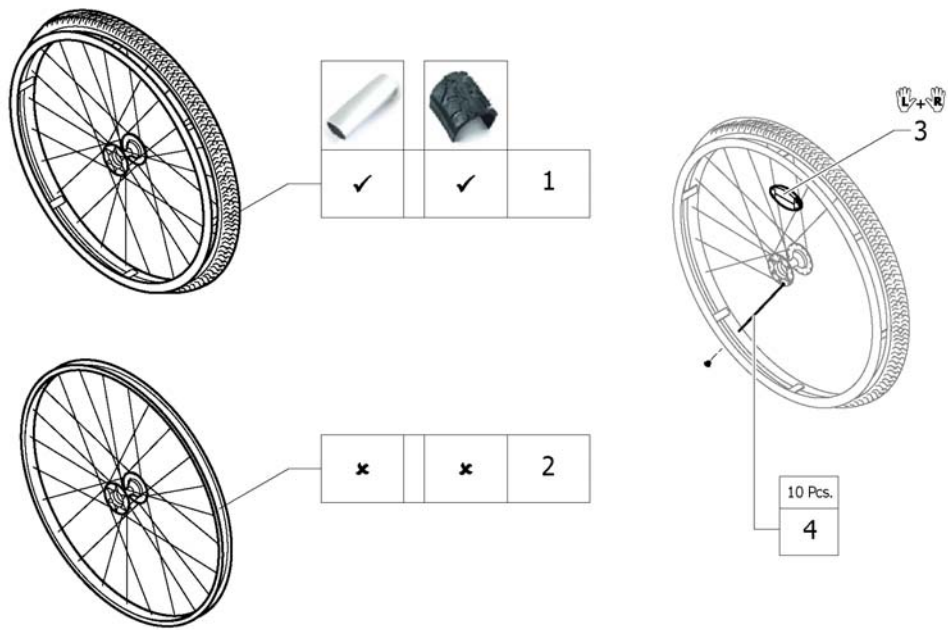
1	SP1601754-0001	(Rear wheel 24" High Performance chrome, handrim, Rightrun black/grey) <i>Replaces 1420958-0001</i>		2
1	SP1601754-0004	(Rear wheel 24" High Performance black anodized, handrim, Rightrun black/ grey) <i>Replaces 1420958-0004</i>		2
1	SP1601754-0182	(Rear wheel 24" High Performance champagne, handrim, Rightrun black/grey) <i>Replaces 1420958-0182</i>	01.01.2013 →	2
1	SP1601754-0183	(Rear wheel 24" High Performance olive, handrim, Rightrun black/grey) <i>Replaces 1420958-0183</i>	01.01.2013 →	2
1	SP1601754-0400	(Rear wheel 24" High Performance techno-anthracite, handrim, Rightrun black/ grey) <i>Replaces 1420958-0400</i>		2
1	SP1601754-0401	(Rear wheel 24" High Performance lemon, handrim, Rightrun black/grey) <i>Replaces 1420958-0401</i>	01.11.2010 → 31.12.2012	2
1	SP1601754-0402	(Rear wheel 24" High Performance apricot, handrim, Rightrun black/grey) <i>Replaces 1420958-0402</i>	01.11.2010 → 31.12.2012	2
1	SP1601754-0404	(Rear wheel 24" High Performance b-blue, handrim, Rightrun black/grey) <i>Replaces 1420958-0404</i>		2
1	SP1601754-0440	(Rear wheel 24" High Performance comet red, handrim, Rightrun black/grey) <i>Replaces 1420958-0440</i>		2
1	SP1601754-0441	(Rear wheel 24" High Performance arctic blue, handrim, Rightrun black/grey) <i>Replaces 1420958-0441</i>		2
1	SP1601754-0444	(Rear wheel 24" High Performance copper glaze, handrim, Rightrun black/grey) <i>Replaces 1420958-0444</i>		2
2	1527046-0001	Wiel 24"pn.+mar.evo chrome hp cpl ps		2
2	1527046-0004	(Wheel 24", High Performance, black, handrim alu, tyre Marathon Evolution)		2
2	1527046-0182	(Wheel 24", High Performance, champagne, handrim alu, tyre Marathon Evolution)	01.01.2013 →	2
2	1527046-0183	(Wheel 24", High Performance, olive, handrim alu, tyre Marathon Evolution)	01.01.2013 →	2

(High Performance wheel)

2	1527046-0400	(Wheel 24", High Performance, techno-anthracite, handrim alu, tyre Marathon Evolution)		2
2	1527046-0401	(Wheel 24", High Performance, lemon, handrim alu, tyre Marathon Evolution)	01.11.2010 → 31.12.2012	2
2	1527046-0402	Wiel 24'pn.+alu mar.evo. apricot HP cpl ps	01.11.2010 → 31.12.2012	2
2	1527046-0404	(Wheel 24", High Performance, b-blue, handrim alu, tyre Marathon Evolution)		2
2	1527046-0440	(Wheel 24", High Performance, comet red, handrim alu, tyre Marathon Evolution)		2
2	1527046-0441	(Wheel 24", High Performance, arctic blue, handrim alu, tyre Marathon Evolution)		2
2	1527046-0444	(Wheel 24", High Performance, copper glaze, handrim alu, tyre Marathon Evolution)		2
3	1445479-0001	Wiel 25' hp met hoepel+ marath.buba cps chrome		2
3	1445479-0004	Wiel 25'hp met hoepel marathon buba cps zwart		2
3	1445479-0182	(Wheel 25", High Performance, champagne, handrim alu, tyre Marathon Evolution)	01.01.2013 →	2
3	1445479-0183	(Wheel 25", High Performance, olive, handrim alu, tyre Marathon Evolution)	01.01.2013 →	2
3	1445479-0400	(Wheel 25", High Performance, techno-anthracite, handrim alu, tyre Marathon Evolution)		2
3	1445479-0401	(Wheel 25", High Performance, lemon, handrim alu, tyre Marathon Evolution)	01.11.2010 → 31.12.2012	2
3	1445479-0402	(Wheel 25", High Performance, apricot, handrim alu, tyre Marathon Evolution)	01.11.2010 → 31.12.2012	2
3	1445479-0404	(Wheel 25", High Performance, b-blue, handrim alu, tyre Marathon Evolution)		2
3	1445479-0440	(Wheel 25", High Performance, comet red, handrim alu, tyre Marathon Evolution)		2
3	1445479-0441	(Wheel 25", High Performance, arctic blue, handrim alu, tyre Marathon Evolution)		2
3	1445479-0444	(Wheel 25", High Performance, copper glaze, handrim alu, tyre Marathon Evolution)		2
4	1517723-0001	(Wheel 24", High Performance, chrome, without handrim, without tyre)		2
4	1517723-0004	Kusch velg 24'high perf. zwart ex.hoepel/band ps		2
4	1517723-0182	(Wheel 24", High Performance, champagne, without handrim, without tyre)	01.01.2013 →	2
4	1517723-0183	(Wheel 24", High Performance, olive, without handrim, without tyre)	01.01.2013 →	2
4	1517723-0400	(Wheel 24", High Performance, techno-anthracite, without handrim, without tyre)		2
4	1517723-0401	(Wheel 24", High Performance, lemon, without handrim, without tyre)	01.11.2010 → 31.12.2012	2
4	1517723-0402	(Wheel 24", High Performance, apricot, without handrim, without tyre)	01.11.2010 → 31.12.2012	2
4	1517723-0404	(Wheel 24", High Performance, b-blue, without handrim, without tyre)		2
4	1517723-0440	(Wheel 24", High Performance, comet red, without handrim, without tyre)		2
4	1517723-0441	(Wheel 24", High Performance, arctic blue, without handrim, without tyre)		2
4	1517723-0444	(Wheel 24", High Performance, copper glaze, without handrim, without tyre)		2
5	1562937-0001	Kusch velg 25' high perf chroom ex hoepel/band ps		2
5	1562937-0004	Kusch velg 25'high perf. zwart ex.hoepel/band ps		2
5	1562937-0182	(Wheel 25", High Performance, champagne, without handrim, without tyre)	01.01.2013 →	2
5	1562937-0183	(Wheel 25", High Performance, olive, without handrim, without tyre)	01.01.2013 →	2
5	1562937-0400	(Wheel 25", High Performance, techno-anthrac., without handrim, without tyre)		2
5	1562937-0401	(Wheel 25", High Performance, lemon, without handrim, without tyre)	01.11.2010 → 31.12.2012	2
5	1562937-0402	(Wheel 25", High Performance, apricot, without handrim, without tyre)	01.11.2010 → 31.12.2012	2
5	1562937-0404	(Wheel 25", High Performance, b-blue, without handrim, without tyre)		2
5	1562937-0440	(Wheel 25", High Performance, comet red, without handrim, without tyre)		2

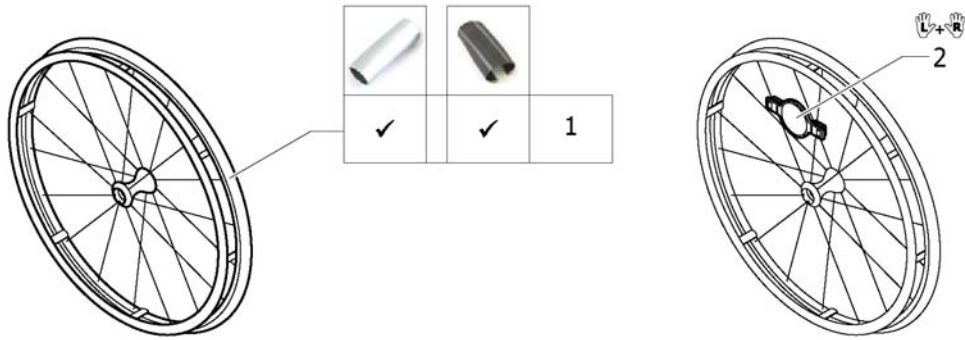
(High Performance wheel)

5	1562937-0441	(Wheel 25", High Performance, arctic blue, without handrim, without tyre)	2
5	1562937-0444	(Wheel 25", High Performance, copper glaze, without handrim, without tyre)	2
6	1571073	Kusch reflector in wiel pp <i>Replaces 220.1033</i>	1
7	1578867	Kusch spaken tbv.high- perf.wiel 24' set van 10	1
8	1578868	Kusch spaken tbv.high- perf.wiel 25' set van 10	1

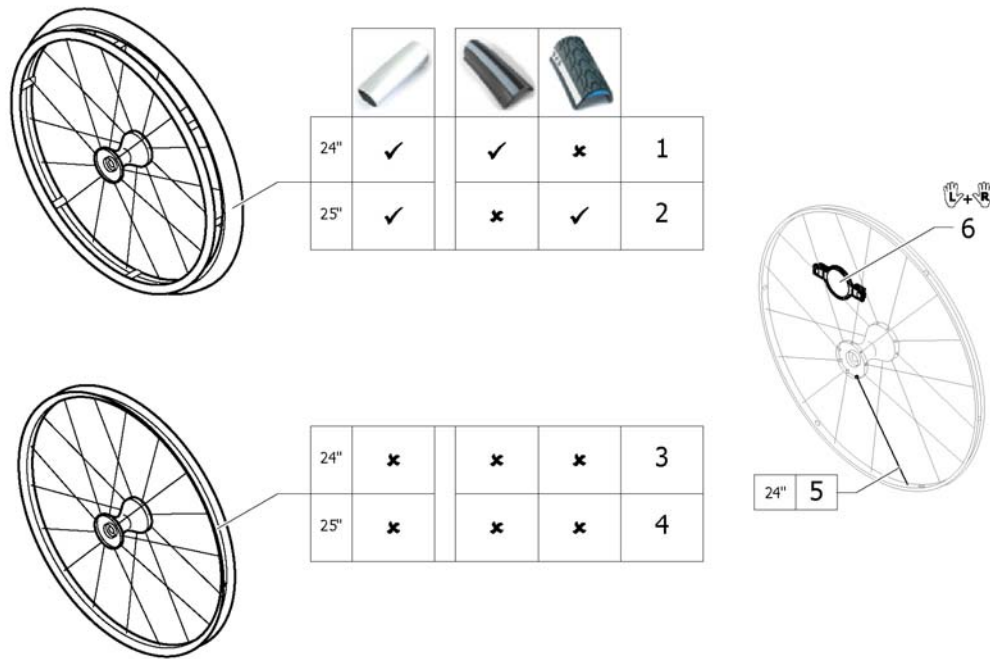


1	1517875	Wiel 24'starec kruis MTB +alu hoepel	2
2	1529327	(Rear wheel Mountain Bike 24", without handrim, without tyre)	2
3	1571073	Kusch reflector in wiel pp <i>Replaces 220.1033</i>	1
4	1579085	(Spokes kit for Mountain Bike wheel, 10 Pcs.)	1

(Ultra-light fibre wheel)

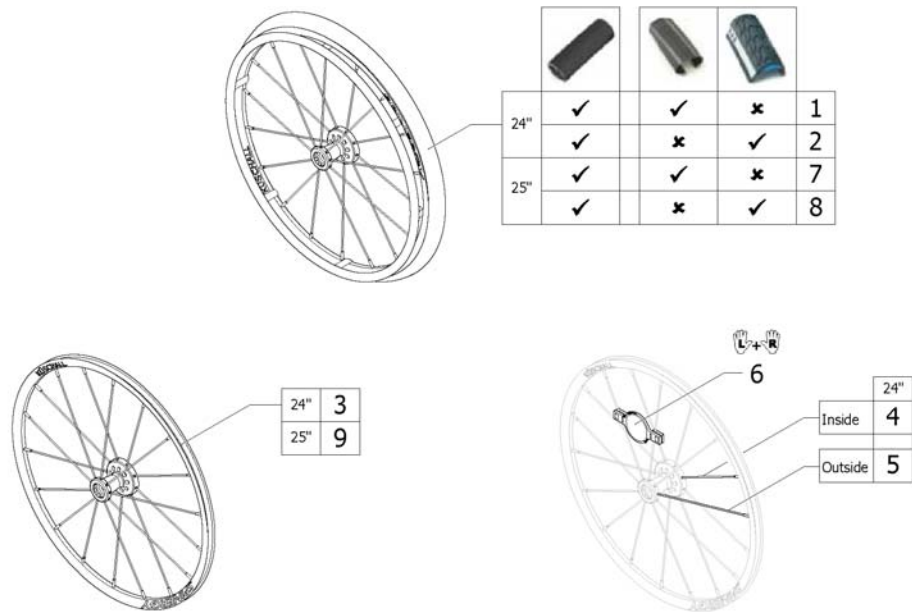


1	1578804	(Ultra-light fibre wheel with tyre Schwalbe One) <i>Replaces 1547628</i>	20.11.2013 → 31.12.2013	2
2	1571088	(Spoke reflection for Spinergy wheel, pair) <i>Replaces 1451931</i>		1



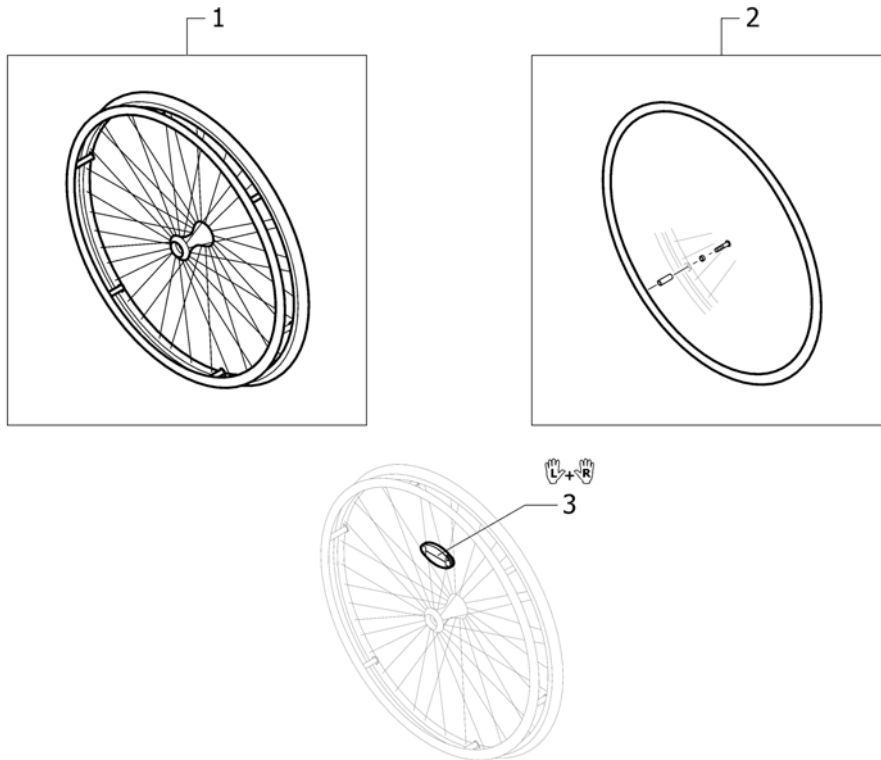
1	SP1601755	Wiel 24' Spinergy+hoepel alu ps kusch <i>Replaces 1485805</i>	01.11.2010 → 31.12.2013	2
2	1525127	Wiel 25'spinergy+alu schwalbe cpl ps Kusch	01.11.2010 → 31.12.2013	2
3	1570426	Wiel 24'Spinergy ex.hoe pel/band/as ps Kusch	01.11.2010 → 31.12.2013	2
4	1525128	Kusch velg 25'spinergy ps	01.11.2010 → 31.12.2013	2
5	1579092	(Spoke for Spinergy wheel 24", 1 Pcs.)	01.11.2010 → 31.12.2013	36
6	1571088	(Spoke reflection for Spinergy wheel, pair) <i>Replaces 1451931</i>	01.11.2010 → 31.12.2013	2

(Spinergy LXX wheel)



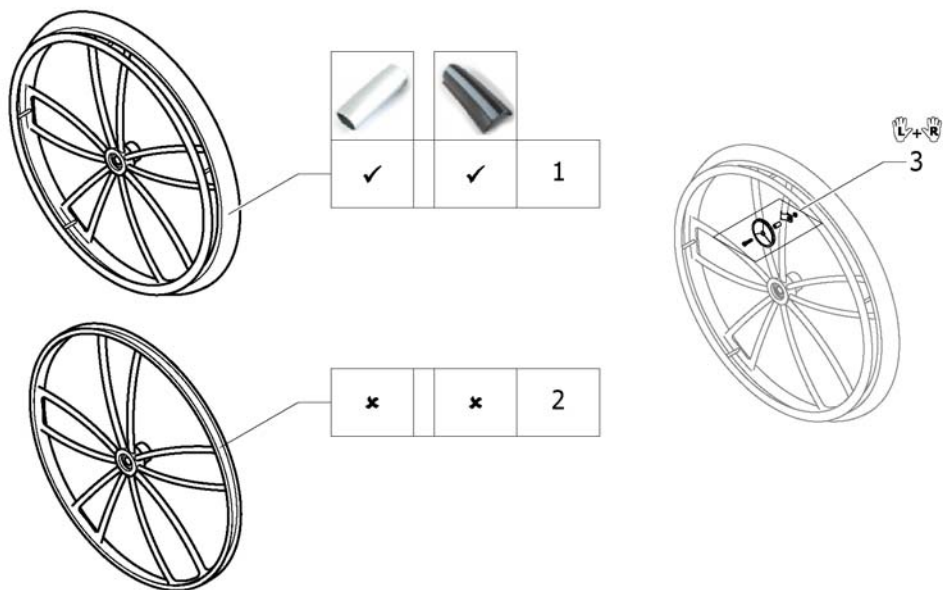
1	1579101	Kusch wiel 24' spinergy LXX ps	2
2	1579105	Kusch Spinergy LXX wiel 24'+alu zw.+mara.evo.ps	2
3	1579102	Kusch velg 24'spinergy LXX ps	2
4	1579103	(Spoke inside for Spinergy LXX wheel 24", 236mm., 1 Pcs.)	9
5	1579104	(Spoke outside for Spinergy LXX wheel 24", 249mm., 1 Pcs.)	9
6	1571088	(Spoke reflection for Spinergy wheel, pair)	1
7	SP1638077	(Rear wheel 25" Spinergy LXX, handrim aluminium black, tyre Schwalbe One)	2
8	SP1638078	(Rear wheel 25" Spinergy LXX, handrim aluminium black, tyre Marathon Evolution)	2
9	SP1638079	(Rear wheel 25" Spinergy LXX, without handrim, without tyre)	2

küschall® K-Series G3 | (REAR WHEELS)
(Active wheel 01.07.2014=>)

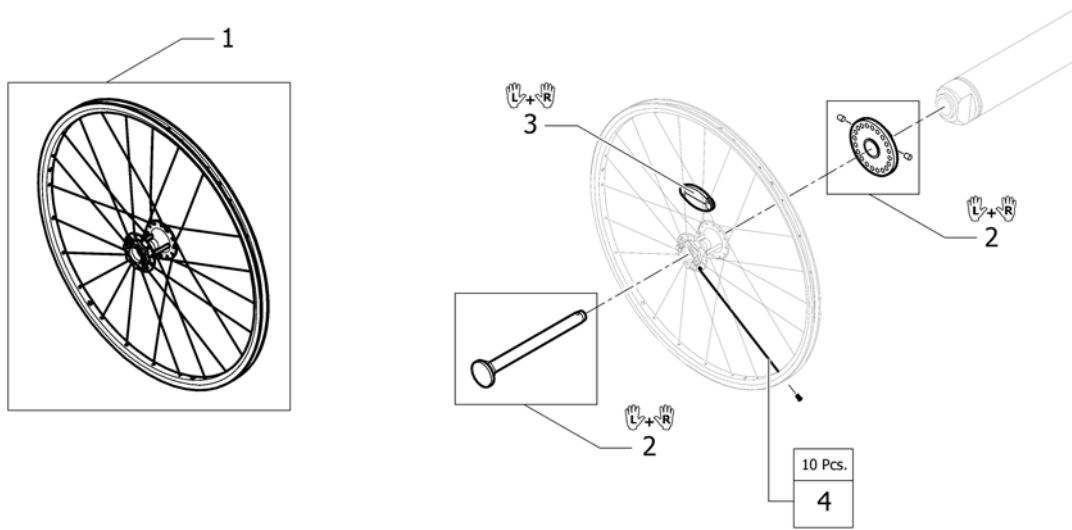


1	1583058	Wiel 24' active cpl >01-07-14 küschall	01.07.2014 →	2
2	1583059	(Handrim 24" Alu incl. Fixation kit for rear wheel 24" Active)	01.07.2014 →	2
3	1571073	Kusch reflector in wiel pp		1

(Spider wheel)



1	SP1601849	Wiel 24' Spider cpl met alu hoepel rightrun buba <i>Replaces 904.1201.000</i>	01.11.2010 → 31.12.2012	2
2	1424944	Wiel 24'spider velg ex. hoepel ps Kusch	01.11.2010 → 31.12.2012	2
3	1571074	(Spoke reflection set for Spider wheel, pair) <i>Replaces 1439352</i>	01.11.2010 → 31.12.2012	1



1	1570645	(Hub brake wheel 24" without handrim, without tyre)	2
2	1570651	(Mounting kit with Quickrelease for Hub brake, pair)	1
3	1571073	Kusch reflector in wiel pp <i>Replaces 220.1033</i>	1
4	1579088	(Spokes kit for Hub brake wheel 24", 10 Pcs.)	1

(Handrim)

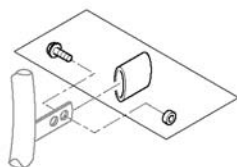
	3cm 4cm	22"				24"				25"				26"								
		22"	24"	25"	26"	22"	24"	25"	26"	22"	24"	25"	26"	22"	24"	25"	26"					
Starec wheel	3cm	1	3	5	7	9	10	11	12	13	15	17	19	20	21	22	23	24	25	29	30	
	4cm	2	4	6	8	-	-	-	-	14	16	18	-	-	-	-	-	-	-	-	-	-
High Performance	3cm	-	3	5	-	-	10	11	-	13	15	-	-	20	-	22	23	24	25	29	30	
	4cm	-	4	6	-	-	-	-	-	14	16	-	-	-	-	-	-	-	-	-	-	-
Mountainbike	3cm	1	-	-	-	9	-	-	-	-	-	-	19	-	-	-	-	-	-	-	-	
	4cm	2	-	-	-	-	-	-	-	-	-	-	-	-	-	-	-	-	-	-	-	-
Spiderwheel	3cm	-	26	-	-	-	-	-	-	27	-	-	-	28	-	-	-	-	-	-	-	-
	4cm	-	-	-	-	-	-	-	-	-	-	-	-	-	-	-	-	-	-	-	-	-
Spinerger	3cm	-	3	5	-	-	10	11	-	13	15	-	-	20	-	22	23	24	25	29	30	
	4cm	-	4	6	-	-	-	-	-	14	16	-	-	-	-	-	-	-	-	-	-	-
Spinerger LXX	3cm	-	3	-	-	-	10	-	-	13	15	-	-	20	-	22	-	-	-	29	30	
	4cm	-	4	-	-	-	-	-	-	14	16	-	-	-	-	-	-	-	-	-	-	-
Ultra Light Fibre	3cm	-	3	-	-	-	10	-	-	13	15	-	-	20	-	22	-	24	25	29	30	
	4cm	-	4	-	-	-	-	-	-	14	16	-	-	-	-	-	-	-	-	-	-	-
Economy	3cm	-	3	-	-	-	10	-	-	13	15	-	-	20	-	22	-	24	25	29	30	
	4cm	-	4	-	-	-	-	-	-	14	16	-	-	-	-	-	-	-	-	-	-	-
Hub brake wheel	3cm	-	3	-	-	-	10	-	-	13	15	-	-	20	-	22	-	24	25	29	30	
	4cm	-	4	-	-	-	-	-	-	14	16	-	-	-	-	-	-	-	-	-	-	-

Fix	-	(Fixation handrim)		1
1	1568713-0005	(Handrim 22" Aluminium, distance 3cm)	01.07.2013 →	2
2	1568700	(Handrim 22" Alu, 4cm) <i>Replaces 457.1023</i>		2
3	1568714-0005	Hoepel 24'alu afst.3cm >01/07/2013 ps	01.07.2013 →	2
4	1568702	Hoepel 24'alu geelox. light 4cm ps Kusch <i>Replaces 1432287-0005</i>		2
5	1568730-0005	(Handrim 25" Aluminium, distance 3cm)	01.07.2013 →	2
6	1568708	(Handrim 25" Alu light for high performance, 4cm) <i>Replaces 1420890-0005</i>		2
7	1568731-0005	Hoepel 26'alu afst 3cm alu>01/07/2013ps	01.07.2013 →	2
8	1568709	(Handrim 26" Alu, 4cm) <i>Replaces 457.1043</i>		2
9	1568713-0411	(Handrim 22" Aluminium, black, distance 3cm)	01.07.2013 →	2
10	1568714-0411	Hoepel 24' alu afst.3cm zwart >01/07/2013 ps	01.07.2013 →	2
11	1568730-0411	(Handrim 25" Aluminium, black, distance 3cm)	01.07.2013 →	2
12	1568731-0411	Hoepel 26' alu afst.3cm zwart >01/07/2013 ps	01.07.2013 →	2
13	1568716	Kusch hoepel 24' titanium 3cm	01.07.2013 →	2
14	1568705	(Handrim 24" Titanium, 4cm) <i>Replaces 457.1051</i>		2
15	1568715	Kusch hoepel 24' staal ps	01.07.2013 →	2
16	1568704	(Handrim 24" steel polished, 4cm) <i>Replaces 457.1009</i>		2
17	1568777	(Handrim 26" steel polished, distance 3cm)	01.07.2013 →	2
18	1568711	Hoepel 26' rvs kuschall <i>Replaces 457.1010</i>		2
19	1568701	(Handrim 22" Super-Grip) <i>Replaces 457.1045.429</i>		2
20	1568703	Hoepel 24'supergrip ps Kusch <i>Replaces 457.1017.429</i>		2
21	1568710	Hoepel 26'supergrip ps kusch <i>Replaces 457.1046.429</i>		2
22	1556916	Hoepel 24'surge LT Kusch ps		2
23	1556917	Hoepel 25'surge LT Kusch ps		2

(Handrim)

26	457.1053.000	\$usch hoepel spiderwheel alu geelox.ps	01.11.2010 → 31.12.2012	2
27	1416801	(Handrim 24" Titan for Spider Wheel)	01.11.2010 → 31.12.2012	2
28	1416802	\$usch hoepel supergrip tbv.spiderwiel ps	01.11.2010 → 31.12.2012	2
29	SP1638080	(Handrim 24" Carbolife Gekko)		2
30	SP1638081	Hoepel 24 inch carbo live curve ps		2

(Fixation handrim)



		Aluminium	Titanium	Steel	Supergrip	Surge	Tetra	Maxgrip	Gekko	Curve											
	3cm																				
	4cm																				
Starec wheel	3cm	1	1	1	1	1	1	1	1	1	1	1	1	1	1	1	1	1	1	1	
	4cm	2	3	-	-	2	3	2	3	2	3	-	-	-	-	2	3	2	3	2	3
High Performance	3cm	4	4	4	4	4	4	4	4	4	4	6	4	12	12	4	4	4	4	4	4
	4cm	5	6	-	-	5	6	5	6	5	6	-	-	-	-	5	6	5	6	5	6
Mountainbike	3cm	7	7	7	7	-	-	-	-	7	7	-	-	-	-	-	-	-	-	-	-
	4cm	8	9	-	-	-	-	-	-	8	9	-	-	-	-	-	-	-	-	-	-
Spiderwheel	3cm	10	-	-	-	10	-	-	-	10	-	-	-	-	-	-	-	-	-	-	-
	4cm	11	-	-	-	11	-	-	-	11	-	-	-	-	-	-	-	-	-	-	-
Spinergy	3cm	7	-	7	-	7	-	7	-	7	-	9	-	12	-	7	-	7	-	7	-
	4cm	8	-	-	-	8	-	8	-	8	-	8	-	-	-	8	-	8	-	8	-
Spinergy LXX	3cm	4	-	4	-	4	-	4	-	4	-	6	-	-	-	-	-	4	-	4	-
	4cm	5	-	-	-	5	-	5	-	5	-	-	-	-	-	-	-	5	-	5	-
Ultra Light Fibre	3cm	4	-	4	-	4	-	4	-	4	-	6	-	12	-	4	-	4	-	4	-
	4cm	5	-	-	-	5	-	5	-	5	-	-	-	-	-	5	-	5	-	5	-
Economy	3cm	1	1	1	1	1	1	1	1	1	1	3	3	12	12	1	1	1	1	1	1
	4cm	2	3	-	-	2	3	2	3	2	3	-	-	-	-	2	3	2	3	2	3
Hub brake wheel	3cm	4	4	4	4	4	4	4	4	4	4	6	4	12	-	4	4	4	4	4	4
	4cm	5	6	-	-	5	6	5	6	5	6	-	-	-	-	5	6	5	6	5	6

1	1495958	Kusch hoepel bev.set 3cm set voor 1 wiel	2
2	1495959	Kusch hoepel bev.set 4cm set voor 1 wiel	2
3	1495961	(Fixation kit handrim, 4 cm with spokes guard)	2
4	1496019	(Fixation kit handrim for High Performance wheel, 3 cm)	2
5	1496020	(Fixation kit handrim for High Performance wheel, 4 cm)	2
6	1497111	(Fixation kit handrim for High Performance wheel, 4 cm with spokes guard)	2
7	1496015	(Fixation kit handrim for Mountain bike wheel, 3 cm)	2
8	1496016	(Fixation kit handrim for Mountain bike wheel, 4 cm)	2
9	1496018	(Fixation kit handrim for Mountain bike wheel, 4 cm with spokes guard)	2
10	1418931	(Fixation kit handrim for Spider wheel, 3 cm)	2
			01.11.2010 → 31.12.2012
11	1418932	Kusch hoepel afst.bus tbv.spiderwiel 4cm set	2
			01.11.2010 → 31.12.2012

(Tyre)

	Acc.															
	24"	25"	26"	24"	24"	25"	26"	24"	25"	24"	24"	24"	24"	24"	26"	
Starec Wheel 	1	-	14	2	3	-	15	4	-	6	-	8	9	10	16	
High Performance 	1	17	-	2	3	12	-	4	13	6	-	-	-	-	-	
Mountainbike 	-	-	-	-	-	-	-	-	-	-	7	-	-	-	-	
Spiderwheel 	1	-	-	2	3	-	-	4	-	6	-	8	9	10	-	
Spinegy 	1	17	-	2	3	12	-	4	13	6	-	-	-	-	-	
Spinegy LXX 	1	17	-	2	3	12	-	4	13	6	-	-	-	-	-	
Ultra Light Fibre 	1	-	-	2	3	-	-	4	-	6	-	8	9	10	-	
Economy 	1	-	-	2	3	-	-	4	-	6	-	8	9	10	-	
Hub brake wheel 	1	-	-	2	3	-	-	4	-	6	-	-	-	-	-	

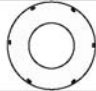
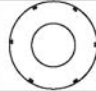







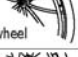





Acc.	-	(Inner tube and rim protector)		1
1	SP1590118	Kusch buba 24' rightrun zw/gr <i>Replaces 1570828</i>		2
2	1570829	(Treaded Tyre 24") <i>Replaces 728.1002</i>		2
3	1570838	Kusch buba Marathon Evolution Schwalbe 24'ps <i>Replaces 1438521</i>		2
4	1578802	Buba 24' Schwalbe one ps <i>Replaces 1528649</i>	20.11.2013 →	2
6	1562581	(Tyre 24" Rightrun blue)	01.07.2013 →	2
7	1570830	Kusch buba 24' mountainbike ps <i>Replaces 1420887</i>		2
8	1570839	Buba 24' semi-pn.licht grijs ps kusch <i>Replaces 728.1032</i>		2
9	1570831	Kusch band massief profiel 24' ps <i>Replaces 728.1029</i>		2
10	1570840	Buba 24'kik NMF zwart ps Kusch <i>Replaces 728.1015</i>		2
12	1570841	Kusch buba marathon Evolution Schwalbe 25'ps <i>Replaces 1493769</i>		2
13	1578803	(Tyre 25" Schwalbe One) <i>Replaces 1528650</i>	20.11.2013 →	2
14	SP1590119	(Tyre Rightrun black/grey 26") <i>Replaces 1570834</i>		2
15	1570842	(Tyre 26" Marathon Evolution) <i>Replaces 1517977</i>		2
16	1570835	(Indoor sports tyre 26" / 10 bar) <i>Replaces 729.1002</i>	01.11.2010 → 31.12.2012	2
17	SP1590412	(Tyre Rightrun black/grey 25")	01.07.2016 →	2

(Inner tube and rim protector)

		24"		25"		26"		24"		24"		24"		26"	
Starec wheel	A	1	-	5	1	1	-	5	1	-	1	-	-	-	-
	B	7	-	9	7	7	-	9	7	-	7	-	7	7	9
High Performance	A	1	4	-	1	1	4	-	1	4	1	-	-	-	-
	B	8	8	-	8	8	8	-	8	8	8	-	-	-	-
Mountainbike	A	-	-	-	-	-	-	-	-	-	3	-	-	-	-
	B	-	-	-	-	-	-	-	-	-	6	-	-	-	-
Spiderwheel	A	1	-	-	1	1	-	-	1	-	1	-	-	-	-
	B	7	-	-	7	7	-	-	7	-	7	-	7	7	7
Spinergy	A	1	4	-	1	1	4	-	1	4	1	-	-	-	-
	B	8	8	-	8	8	8	-	8	8	8	-	8	8	8
Spinergy LXX	A	1	4	-	1	1	-	-	1	4	1	-	-	-	-
	B	8	8	-	8	8	-	-	8	8	8	-	-	-	-
Ultra Light Fibre	A	-	-	-	-	-	-	-	2	-	-	-	-	-	-
	B	-	-	-	-	-	-	-	8	-	-	-	-	-	-
Active	A	1	-	-	1	1	-	-	1	-	1	-	-	-	-
	B	7	-	-	7	7	-	-	7	-	7	-	7	7	7
Hub brake wheel	A	1	-	-	1	1	-	-	1	-	1	-	-	-	-
	B	8	-	-	8	8	-	-	8	-	8	-	-	-	-

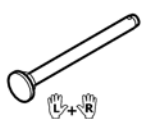
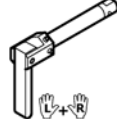
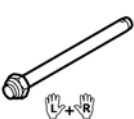




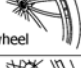




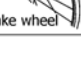
1	1570849	Biba 24'x1 ps Kusch		2
2	1550284	Biba 24'Ultra-Light fibre wiel ps Kusch	01.11.2010 → 31.12.2013	2
3	1570852	(Inner tube for Mountain bike)		2
4	1570851	Biba 26'ps Kusch		2
5	1570850	(Inner Tube 26" x 1")		2
6	1570844	(Rim protection 22")		2
7	1570845	(Rim protection 24" Large)		2
8	1495962	(Rim Protection for High Performance / Spinergy wheel)		2
9	1570846	(Rim protection 26")		2
10	1571072	(Rear wheel inset anti-flat for 20,22,24,26" tyre)		2

küschall® K-Series G3 | (REAR WHEELS)
(Spokes guard)

									
	22"	24"	26"	24"	24"	24"	24"	24"	24"
 Starec wheel	1	2	4	5	6	7	8	9	9
 High Performance	-	2	-	5	6	7	8	9	9
 Mountainbike	1	-	-	-	-	-	-	-	-
 Spidervheel	-	-	-	-	-	-	-	-	-
 Spinerger	-	2	-	5	6	7	8	9	9
 Spinerger LXX	-	3	-	-	-	-	-	-	-
 Ultra Light Fibre	-	-	-	-	-	-	-	-	-
 Economy	-	2	-	5	6	7	8	9	9
 Hub brake wheel	-	2	-	5	6	7	8	9	9

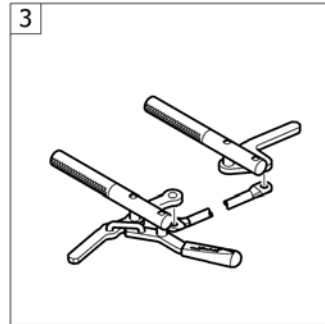
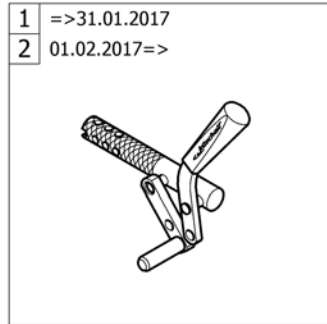
1	1564453	(Spokes guard Transparent 22") <i>Replaces 736.1005</i>	2	
2	1564457	Spaakbesch.24'transp.ps Kusch <i>Replaces 736.1004</i>	2	
3	1583436	(Spokes guard Transparent 24" for rear wheel 24" Drumbrake Octopus)	2	
4	1564492	Spaakbesch.26'transp.ps küschall <i>Replaces 736.1003</i>	2	
5	SP1642803	(Spokes guard transparent and white Küschall 24")	2	
6	1564456	Spaakbesch.24'zwart ps Küschall <i>Replaces 736.1002</i>	2	
7	1564459	(Spokes guard Carbon 24") <i>Replaces 736.1014</i>	01.11.2010 → 31.12.2013	2
8	1564462	(Spokes guard Switzerland 24") <i>Replaces 1497108</i>	01.11.2010 → 30.06.2013	2
9	1564463	(Spokes guard Pirates 24") <i>Replaces 1497109</i>	01.11.2010 → 31.12.2012	2

(Quick release axle and bearing)

				
 Küschall wheel	1	2	-	7
 High Performance	1	2	-	7
 Mountainbike	1	2	-	7
 Spiderwheel	-	2	3	8
 Spinergy	4	5	-	7
 Spinergy LXX	4	-	-	7
 Ultra Light Fibre	6	2	-	7
 Economy	1	2	-	-
 Hub brake wheel	4	5	-	7

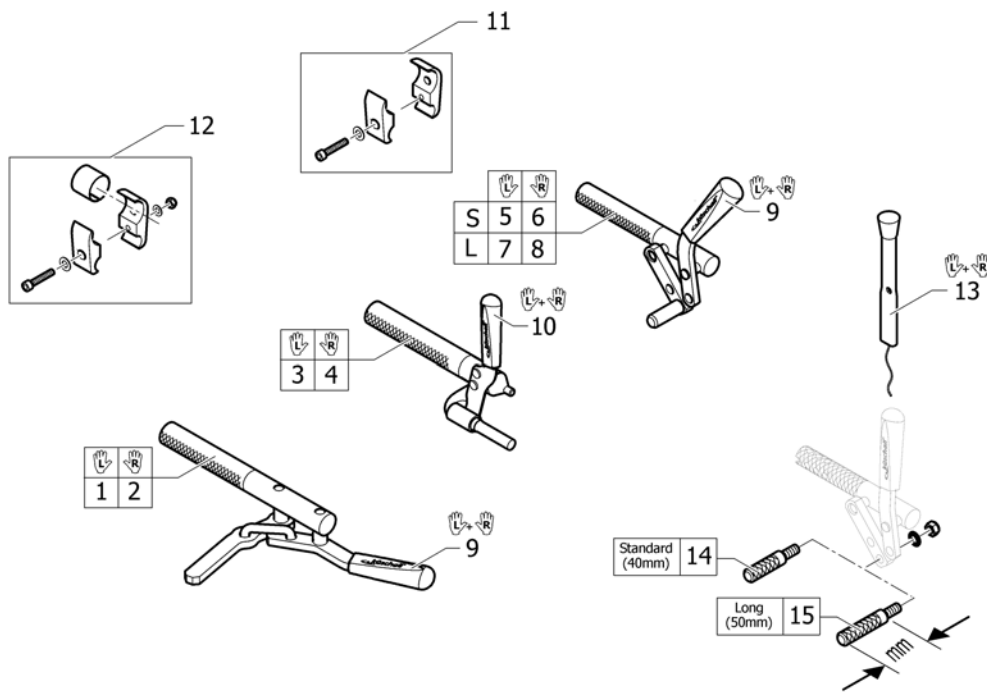
1	1509137-0001	Kusch achterw.as qr+ afdekkap chroom pp		1
1	1509137-0004	Kusch achterw.as QR + afdekkap zwart pp		1
1	1509137-0182	(Quick release axles long with cap, pair, champagne)	01.01.2013 →	1
1	1509137-0183	(Quick release axles long with cap, pair, olive)	01.01.2013 →	1
1	1509137-0400	(Quick release axles long with cap, pair, tecno anthracite)		1
1	1509137-0401	(Quick release axles long with cap, pair, lemon)	01.11.2010 → 31.12.2012	1
1	1509137-0402	(Quick release axles long with cap, pair, apricot)	01.11.2010 → 31.12.2012	1
1	1509137-0404	(Quick release axles long with cap, pair, b-blue)		1
1	1509137-0407	Kusch achterw.as qr+ afdekkap kleurloos pp		1
1	1509137-0440	Kusch achterw.as qr + afdekkap rood pp		1
1	1509137-0441	(Quick release axles long with cap, pair, arctic blue)		1
1	1509137-0444	Kusch achterw.as qr+ afdekkap copper glaze pp		1
2	1493755	Kusch achterw.as qr+ tetra clip pp		1
3	1512031	Kusch achterw.as qr. lang pp		1
4	1507627	Kusch achterw.as tbv. Spinergy wiel pp		1
5	1512029	Kusch achterw.as tetra lang tbv.spinergy pp		1
6	1547629	(Quick release axles long with cap, pair, polished)		1
7	1571069	Kusch lager set (4) tbv achterwiel R82RS <i>Replaces 5719103</i>		2
8	1571070	(Bearing for Spider wheel, pair) <i>Replaces 1416804</i>		2

(BRAKES)

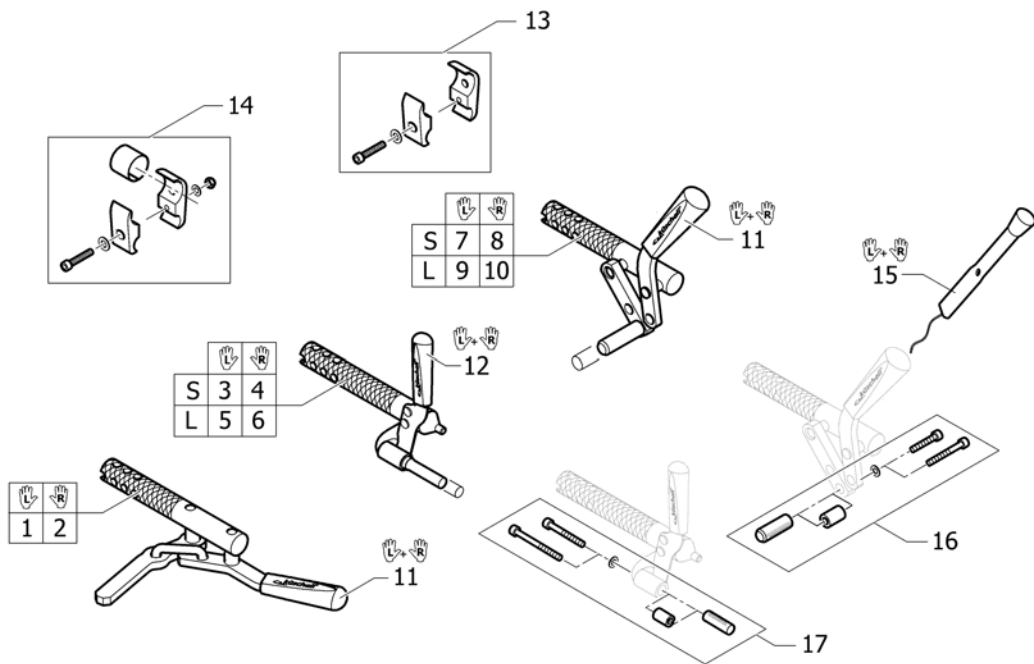


1	-	(Brakes =>31.01.2017)		1
2	-	(Brakes 01.02.2017=>)		1
3	-	(One arm brake)	01.01.2012 →	1

küschall® K-Series G3 | (BRAKES)
(Brakes =>31.01.2017)



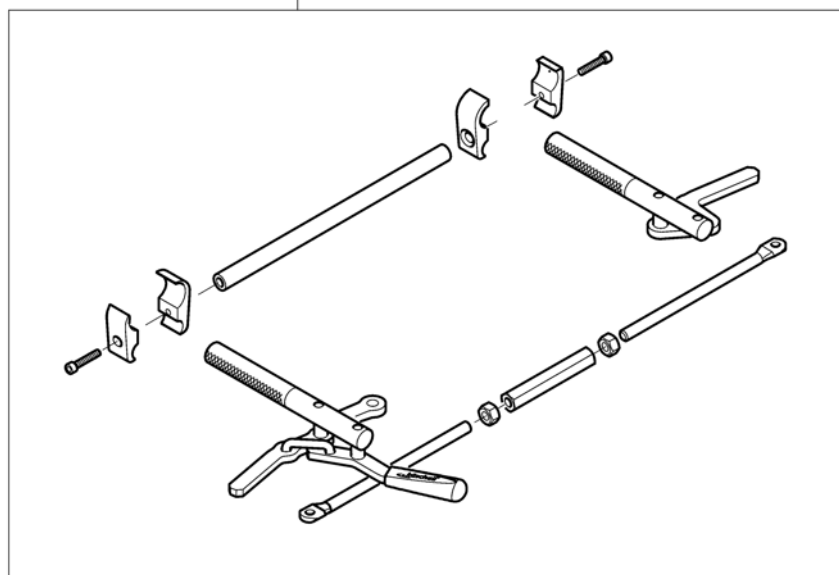
1	SP1512133	Kusch rem actief ex.bev. li.ex Comp/Cont/Kid nw	1
2	SP1512134	Kusch rem actief ex.bev. re.ex Comp/Cont/Kid nw	1
3	SP1512131	Kusch rem perform.ex.bev li ex.Comp/Cont/Kid nw <i>Model 2017</i>	1
4	SP1512132	Kusch rem perform.ex.bev re ex.Comp/Cont/Kid nw <i>Model 2017</i>	1
5	1512125	Kusch rem gebogen links ex.bev.	1
6	1512126	Kusch rem gebogen rechts ex.bev.	1
7	1517656	Kusch rem gebogen extra lange hendel links	1
8	1517655	Kusch rem gebogen extra lange hendel rechts	1
9	1513177	Kusch remhendelhoes pp	1
10	1513178	(Brake handle for performance brake, pair)	1
11	1513176	Kusch rem bev.klem nw ps	2
12	SP1642359	(Clamping piece to brake set, for Titanium frame) <i>Used for Titanium frames</i>	1
13	1513179	Kusch remverlenger pp	1
14	1579328	(Brake shoe standard (40mm), kit 4 Pcs.) <i>Replaces 500.1045 (4x)</i>	1
15	1579329	(Brake shoe long (50mm), kit 4 Pcs.) <i>Replaces 500.1013 (4x)</i>	1



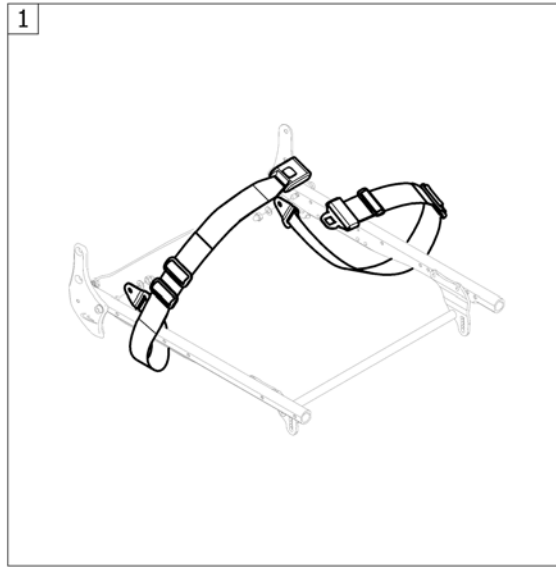
1	SP1642334	(Active brake, left)	1
2	SP1642335	(Active brake, right)	1
3	SP1642336	(Performance brake, left)	1
4	SP1642337	(Performance brake, right)	1
5	SP1642338	(Performance brake, long shoe, left)	1
6	SP1642339	(Performance brake, long shoe, right)	1
7	SP1642340	(Brake, lever bent, left)	1
8	SP1642341	(Brake, lever bent, right)	1
9	SP1642342	(Brake, lever bent, long shoe, left)	1
10	SP1642343	(Brake, lever bent, long shoe, right)	1
11	1513177	Kusch remhendelhoes pp	1
12	1513178	(Brake handle for performance brake, pair)	1
13	SP1642358	(Clamping piece to brake set)	2
14	SP1642359	(Clamping piece to brake set, for Titanium frame) <i>Used for Titanium frames</i>	2
15	1513179	Kusch remverlenger pp	1
16	SP1642360	(Brake shoe kit, pair, for standard brakes)	1
17	SP1642361	(Brake shoe kit, pair, for Performance brakes)	1

(One arm brake)

	SB34	SB36	SB38	SB40	SB42	SB44	SB46	SB48
R	1	2	3	4	5	6	7	8
L	9	10	11	12	13	14	15	16



1	1564282	(One arm brake set right handed SB34, complete)	1
2	1564283	(One arm brake set right handed SB36, complete)	1
3	1564284	(One arm brake set right handed SB38, complete)	1
4	1564285	K-Serie G3 rem 1-handsbediening re zb40 cpl ps	1
5	1564286	(One arm brake set right handed SB42, complete)	1
6	1564287	(One arm brake set right handed SB44, complete)	1
7	1564288	(One arm brake set right handed SB46, complete)	1
8	1564289	K-Serie G3 rem 1-handsbediening re zb48 cpl ps	1
9	1564290	(One arm brake set left handed SB34, complete)	1
10	1564291	(One arm brake set left handed SB36, complete)	1
11	1564292	(One arm brake set left handed SB38, complete)	1
12	1564293	(One arm brake set left handed SB40, complete)	1
13	1564294	(One arm brake set left handed SB42, complete)	1
14	1564295	(One arm brake set left handed SB44, complete)	1
15	1564296	(One arm brake set left handed SB46, complete)	1
16	1564297	K-Serie G3 rem 1-handsbediening li zb48 cpl ps	1

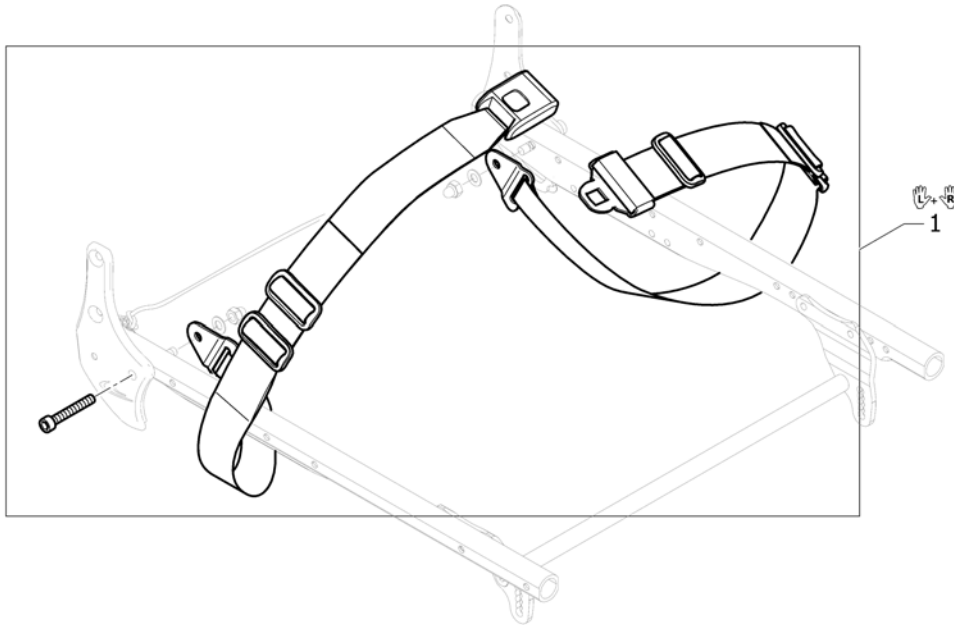


1 -

(Seatbelt for transportation)

1

(Seatbelt for transportation)

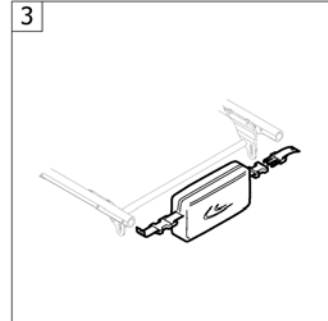
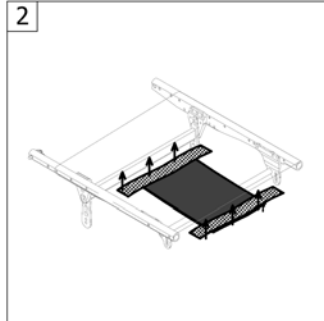
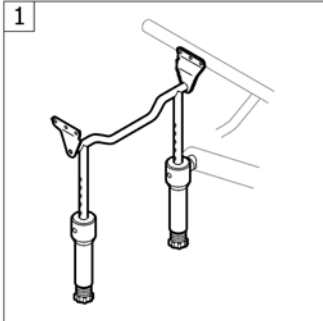


1 1561025

Kuschall crashkit gordel/sticker/handl.

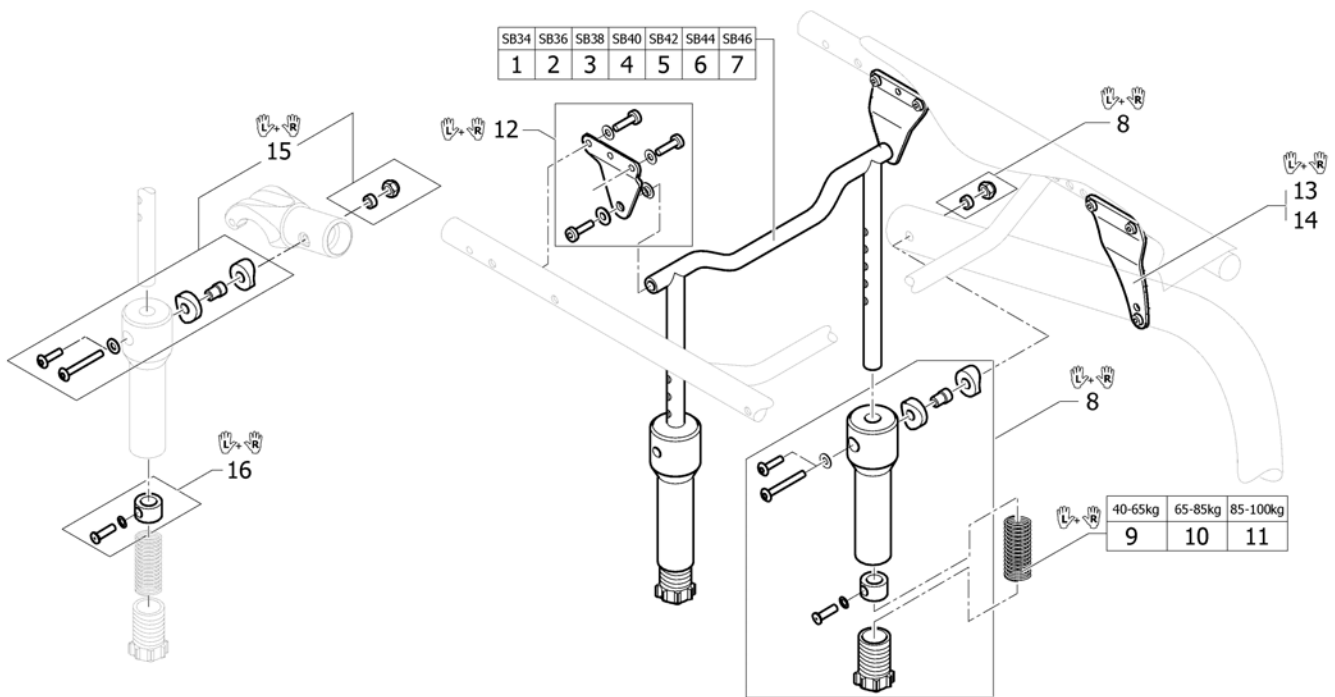
1

(SEAT ACCESSORIES)



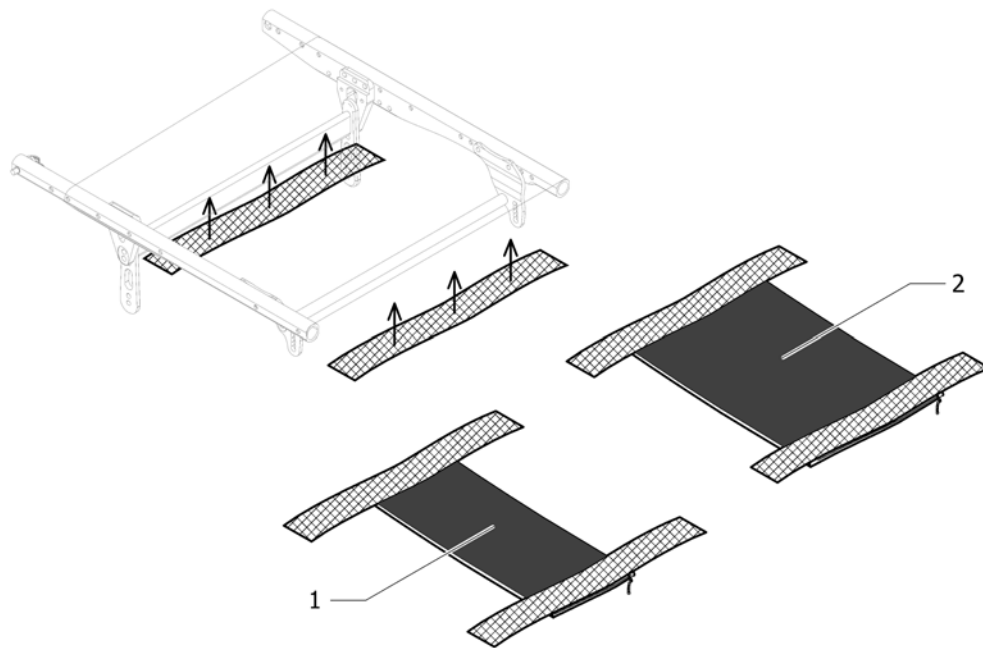
1	-	(Suspension)	1
2	-	(Seat upholstery bag)	1
3	-	(Seat frame bag)	1

(Suspension)



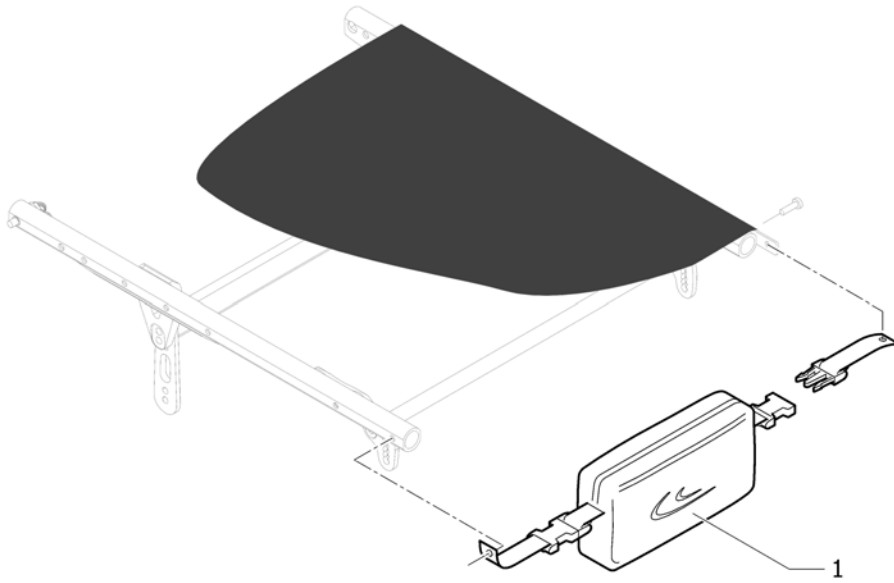
1	1546683	K-Serie G3 framedl.tbv. vering zb34 cpl	1
2	1546684	(Seat brace suspension SB36 complete)	1
3	1546685	(Seat brace suspension SB38 complete)	1
4	1546686	(Seat brace suspension SB40 complete)	1
5	1546687	(Seat brace suspension SB42 complete)	1
6	1546688	K-Serie G3 framedl.tbv. vering zb44 cpl	1
7	1546689	K-Serie G3 framedl.tbv. vering zb46 cpl	1
8	1492193	K-Serie vering set cpl	1
9	1492184	K-Serie 2005 vering zacht 40-65kg pp	1
10	1492185	K-Serie 2005 vering medium 65-85 kg pp	1
11	1492186	K-Serie 2005 vering hard 85-100 kg pp	1
12	1546693	K-Serie G3 zitting bev. achter tbv.vering pp	1
13	1546691	(Hinge bracket-Set Suspension Seat Frame S)	1
14	1546692	K-Serie G3 zitting fixatieset L tbv.vering	1
15	1580451	K-Serie bevestigingsset veerring	1
16	1580452	K-Serie vering bevestigingsring	1

(Seat upholstery bag)



1	1547623	Kuschall tas onder zitting klein	1
2	1547624	Kuschall tas onder zitting groot	1

(Seat frame bag)

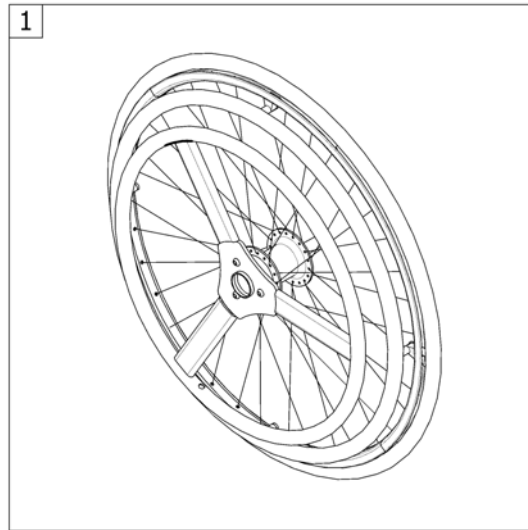


1 1529340

K-Serie tas onder zitting cpl G3/05/K-Serie

1

(PROPULSIONS OPTIONS)



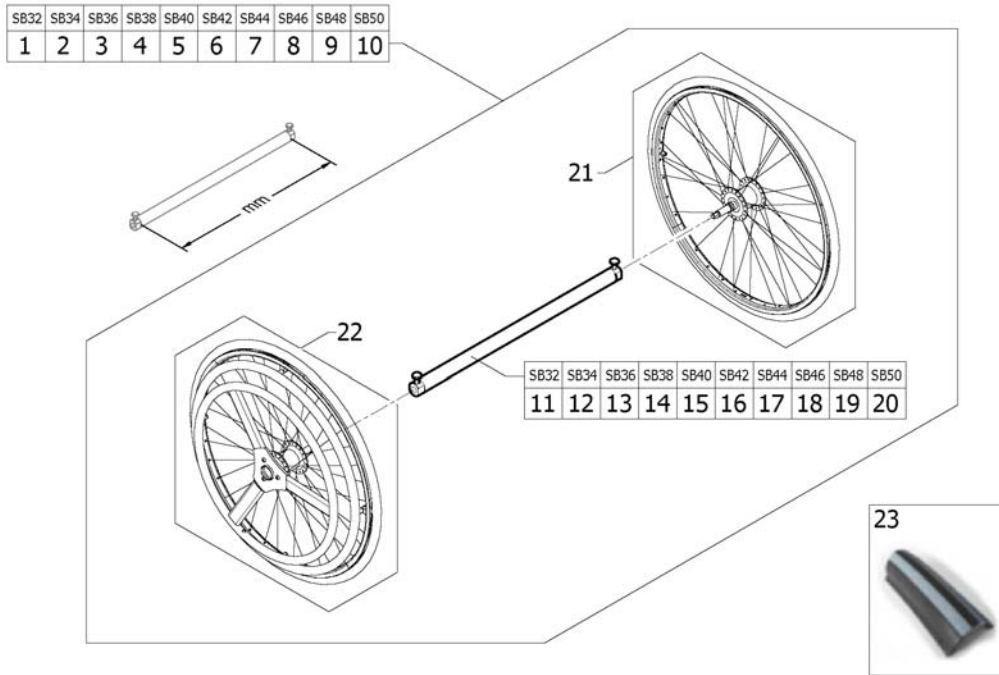
1 -

(One arm drive)

01.01.2013 →

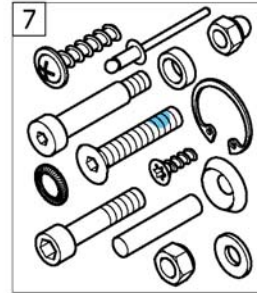
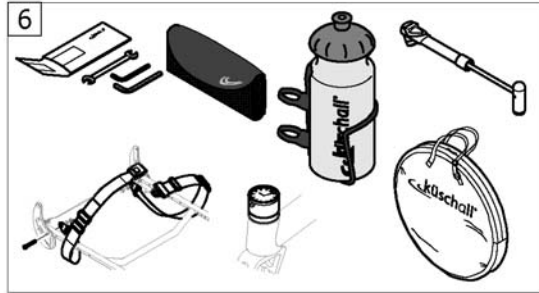
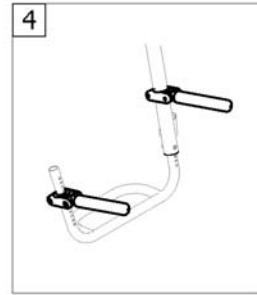
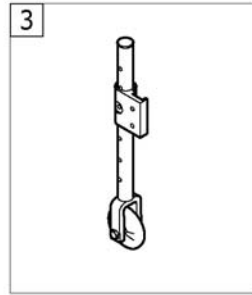
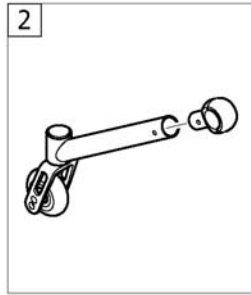
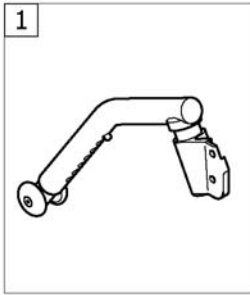
1

(One arm drive)



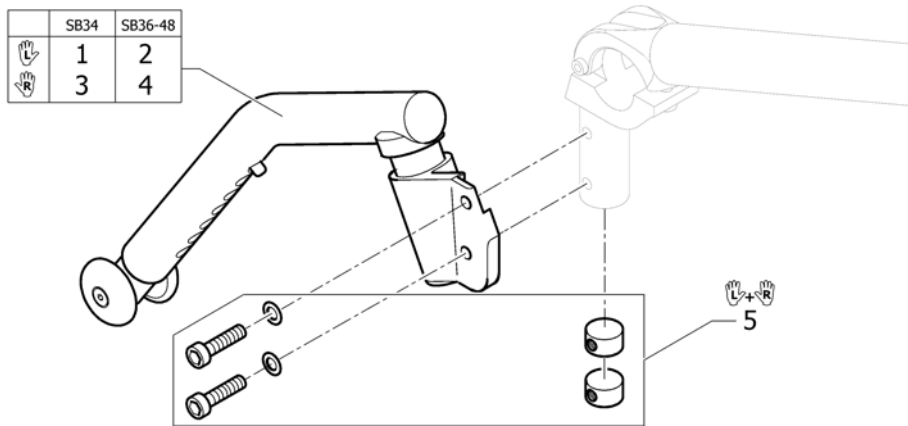
1	SP1642605	(One hand drive 24" wheels with Axle tube 298mm, complete)	1
2	1567081	(One hand drive 24" wheels with Axle tube 318mm, complete)	1
3	1564370	(One hand drive 24" wheels with Axle tube 338mm, complete)	1
4	1564371	(One hand drive 24" wheels with Axle tube 358mm, complete)	1
5	1564372	(One hand drive 24" wheels with Axle tube 378mm, complete)	1
6	1564373	(One hand drive 24" wheels with Axle tube 398mm, complete)	1
7	1564374	(One hand drive 24" wheels with Axle tube 418mm, complete)	1
8	1564375	(One hand drive 24" wheels with Axle tube 438mm, complete)	1
9	1564376	(One hand drive 24" wheels with Axle tube 458mm, complete)	1
10	1564377	(One hand drive 24" wheels with Axle tube 478mm, complete)	1
11	SP1642606	(Axle tube Aluminium, 298mm for one hand drive wheels)	1
12	1567080	(Axle tube Aluminium, 318mm for one hand drive wheels)	1
13	1564359	(Axle tube Aluminium, 338mm for one hand drive wheels)	1
14	1564360	(Axle tube Aluminium, 358mm for one hand drive wheels)	1
15	1564361	(Axle tube Aluminium, 378mm for one hand drive wheels)	1
16	1564362	(Axle tube Aluminium, 398mm for one hand drive wheels)	1
17	1564363	(Axle tube Aluminium, 418mm for one hand drive wheels)	1
18	1564364	(Axle tube Aluminium, 438mm for one hand drive wheels)	1
19	1564365	(Axle tube Aluminium, 458mm for one hand drive wheels)	1
20	1564366	(Axle tube Aluminium, 478mm for one hand drive wheels)	1
21	1554421	(One hand drive 24" wheel passive (without handrim))	1
22	1554422	(One hand drive 24" wheel active (with handrim))	1
23	SP1590118	Kusch buba 24' rightrun zw/gr	1

(OPTIONS & ACCESSORIES)



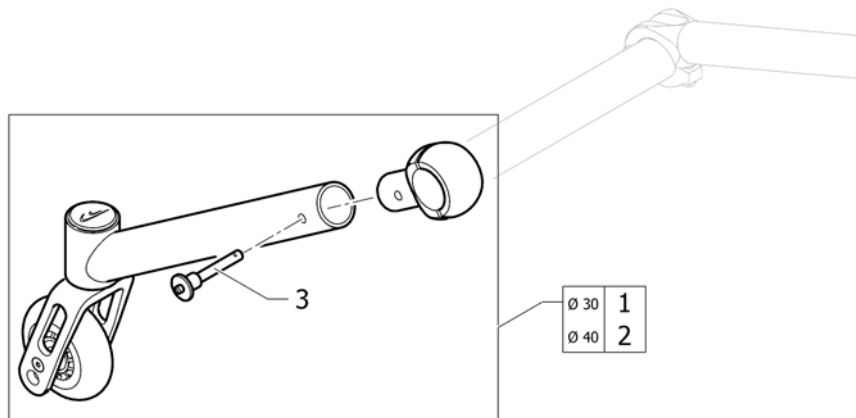
1	-	(Antitipper)	1
2	-	(Active Antitipper)	1
3	-	(Transit wheel)	1
4	-	(Luggage holder)	1
5	-	(Chair accessories)	1
6	-	(Fixation: screws, ...)	1

(Antitipper)



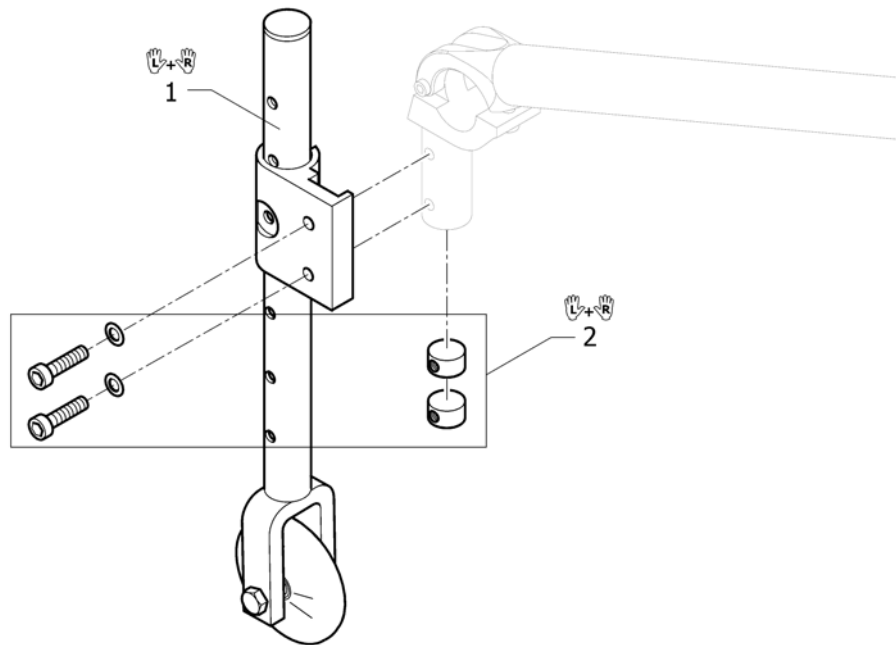
1	1488927	K-Serie 2005 anti-tip kort li.ex.bev.cpl	1
2	1488929	K-Serie 2005 anti-tip lang li.ex.bev.cpl	1
3	1488928	K-Serie 2005 anti-tip kort re.ex.bev.cpl	1
4	1488930	K-Serie 2005 anti-tip lang re.ex.bev.cpl	1
5	1547621	K-Serie 2005 anti-tip bev.set cpl	1

(Active Antitipper)



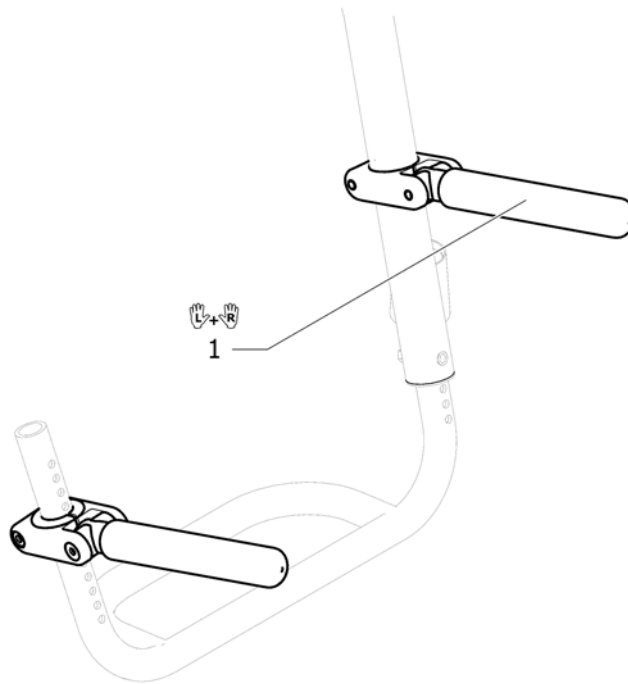
1	1517873	Kusch anti-tip 30mm tbv. as std.akt.Comp/K-Serie	1
2	1517874	Kusch anti-tip 40mm.tbv. vario-as akt.Comp/K-Seri	1
3	1517877	K-Serie G3 actieve anti tip QR as ps	1

(Transit wheel)



1	1451791	K-Serie G3 transitwielen cpl pp	1
2	1547621	K-Serie 2005 anti-tip bev.set cpl	1

(Luggage holder)

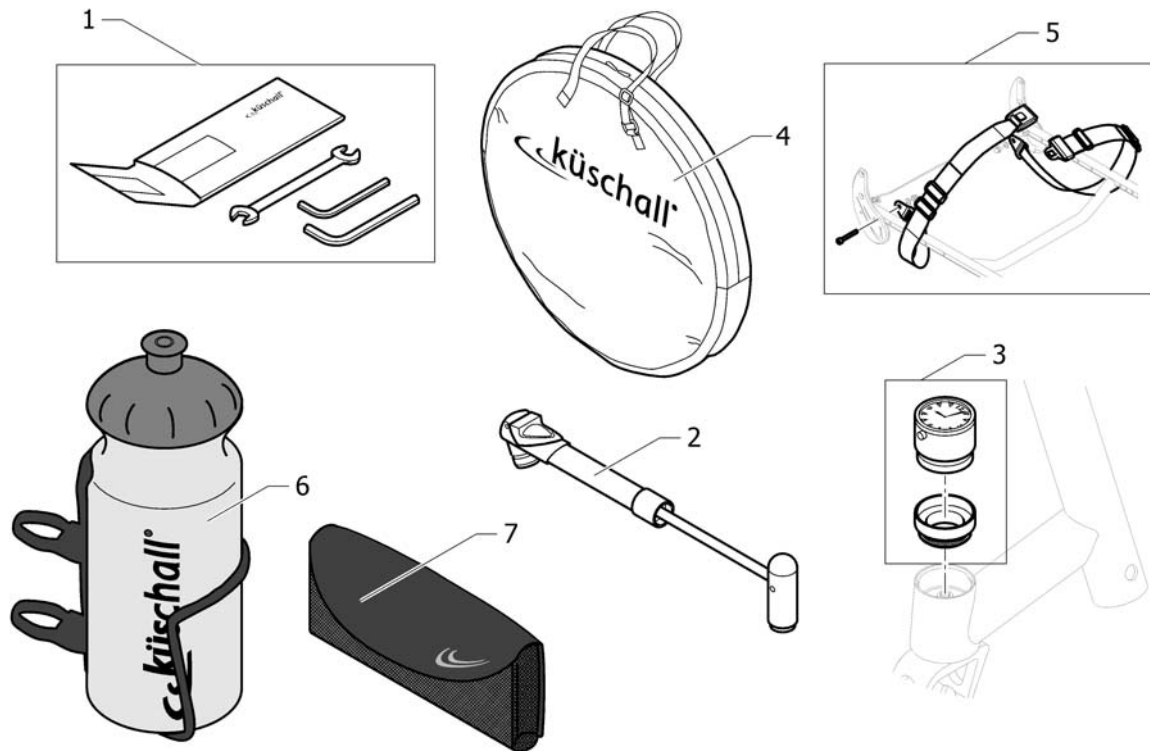


1 1547626

K-Serie G3 bagagehouder op frame voorzijde pp

1

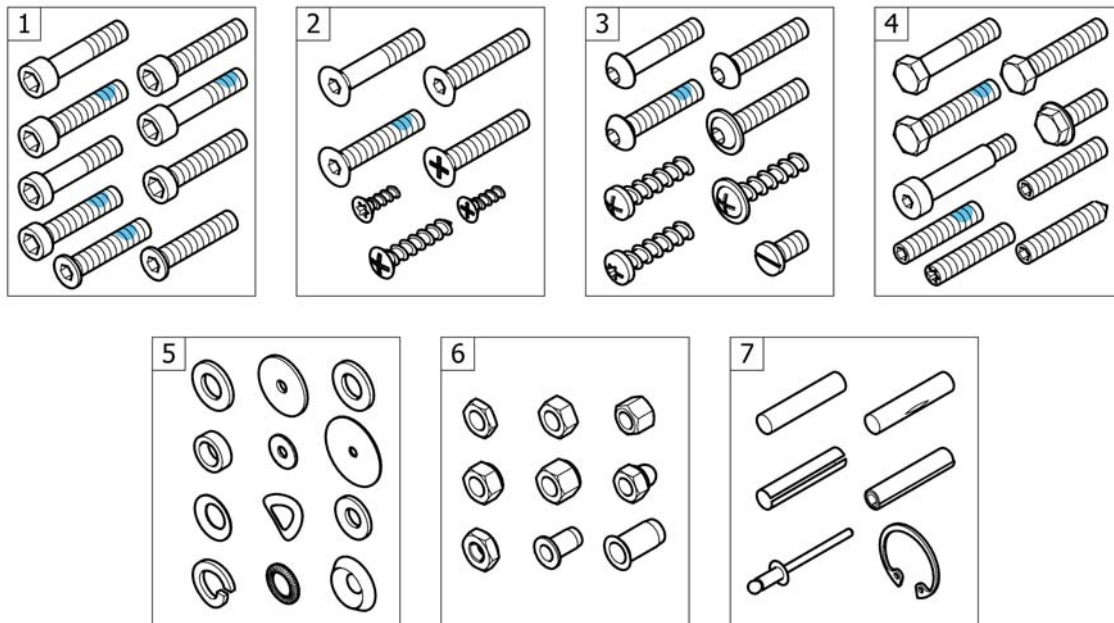
(Chair accessories)



1	1518285	Kuschall gereedschapset cpl	1
2	1517924	Kusch pomp ps	1
3	1589117	Kusch klok in balhoofd K-Serie/Champion/R33	1
4	1518287	Kusch reistas voor achterwielen (24/25/26')	1
5	1567136	(Seat belt)	1
6	1547625	Kusch bidonhouder	1
7	1547622	K-Serie G3 telefoonhouder	1

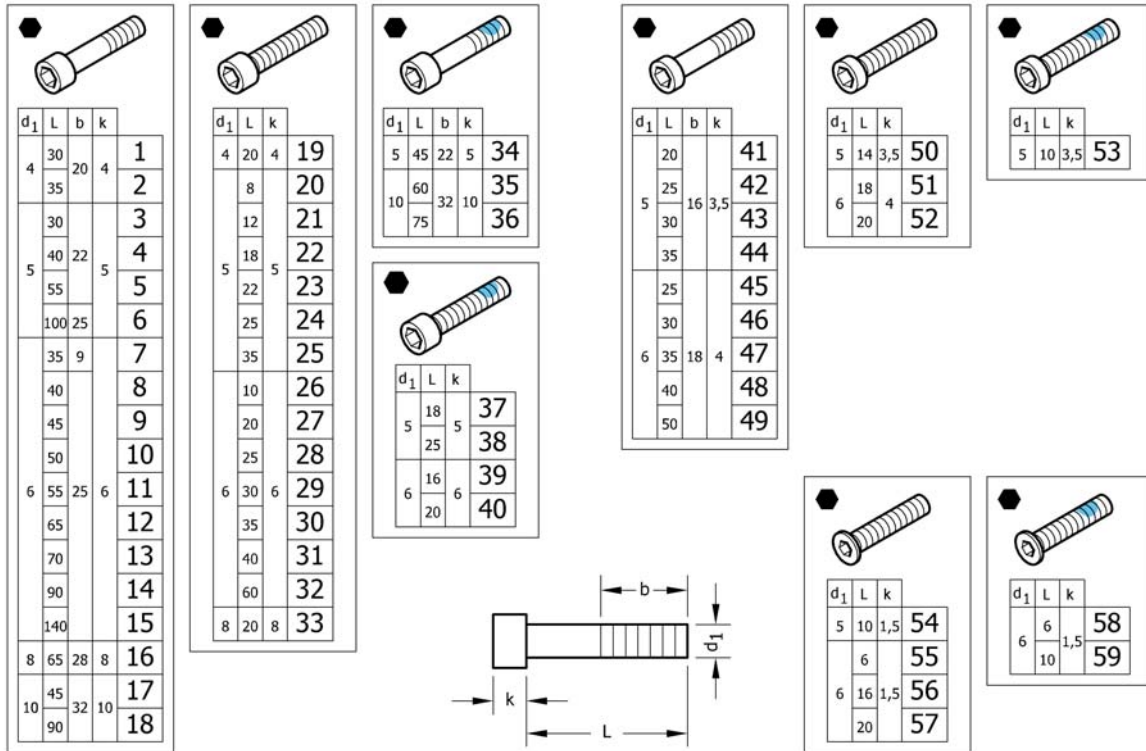
01.01.2013 →

(Fixation: screws, ...)



1	-	(Socket head cap screws)	1
2	-	(Countersunk screws)	1
3	-	(Button head screws)	1
4	-	(Hex-head screws, diverse, ...)	1
5	-	(Washers)	1
6	-	(Nuts)	1
7	-	(Pins, rivets, ...)	1

(Socket head cap screws)



1	1579115	(Hex socket head cap screws partially threaded, zi.Blue, M4x30, kit 25 Pcs.) <i>Replaces 1560191 (25x)</i>	1
2	1579116	(Hex socket head cap screws partially threaded, zi.Blue, M4x35, kit 25 Pcs.) <i>Replaces 1563765 (25x)</i>	1
3	1579117	(Hex socket head cap screws partially threaded, black, M5x30, kit 25 Pcs.) <i>Replaces 100.1091 (25x)</i>	1
4	1579118	(Hex socket head cap screws partially threaded, black, M5x40, kit 25 Pcs.) <i>Replaces 100.1093 (25x)</i>	1
5	1579119	(Hex socket head cap screws partially threaded, black, M5x55, kit 25 Pcs.) <i>Replaces 100.1096 (25x)</i>	1
6	1579120	(Hex socket head cap screws partially threaded, black, M5x100, kit 10 Pcs.) <i>Replaces 1425240 (10x)</i>	1
7	1579121	(Hex socket head cap screws partially threaded, black, M6x35, kit 5 Pcs.) <i>Replaces 107.1001 (5x)</i>	1
8	1579122	(Hex socket head cap screws partially threaded, black, M6x40, kit 25 Pcs.) <i>Replaces 100.1133 (25x)</i>	1
9	1579123	(Hex socket head cap screws partially threaded, black, M6x45, kit 25 Pcs.) <i>Replaces 100.1134 (25x)</i>	1
10	1579124	(Hex socket head cap screws partially threaded, black, M6x50, kit 25 Pcs.) <i>Replaces 100.1135 (25x)</i>	1
11	1579125	(Hex socket head cap screws partially threaded, black, M6x55, kit 25 Pcs.) <i>Replaces 100.1136 (25x)</i>	1
11	1579126	(Hex socket head cap screws partially threaded, zi.Blue, M6x55, kit 25 Pcs.) <i>Replaces ZM006551A (25x)</i>	1
12	1579127	(Hex socket head cap screws partially threaded, black, M6x65, kit 10 Pcs.) <i>Replaces 100.1138 (10x)</i>	1
13	1579128	(Hex socket head cap screws partially threaded, black, M6x70, kit 10 Pcs.) <i>Replaces 100.1139 (10x)</i>	1
14	1579129	(Hex socket head cap screws partially threaded, black, M6x90, kit 10 Pcs.) <i>Replaces 1529118 (10x)</i>	1
15	1579130	(Hex socket head cap screws partially threaded, black, M6x140, kit 10 Pcs.) <i>Replaces 1529117 (10x)</i>	1

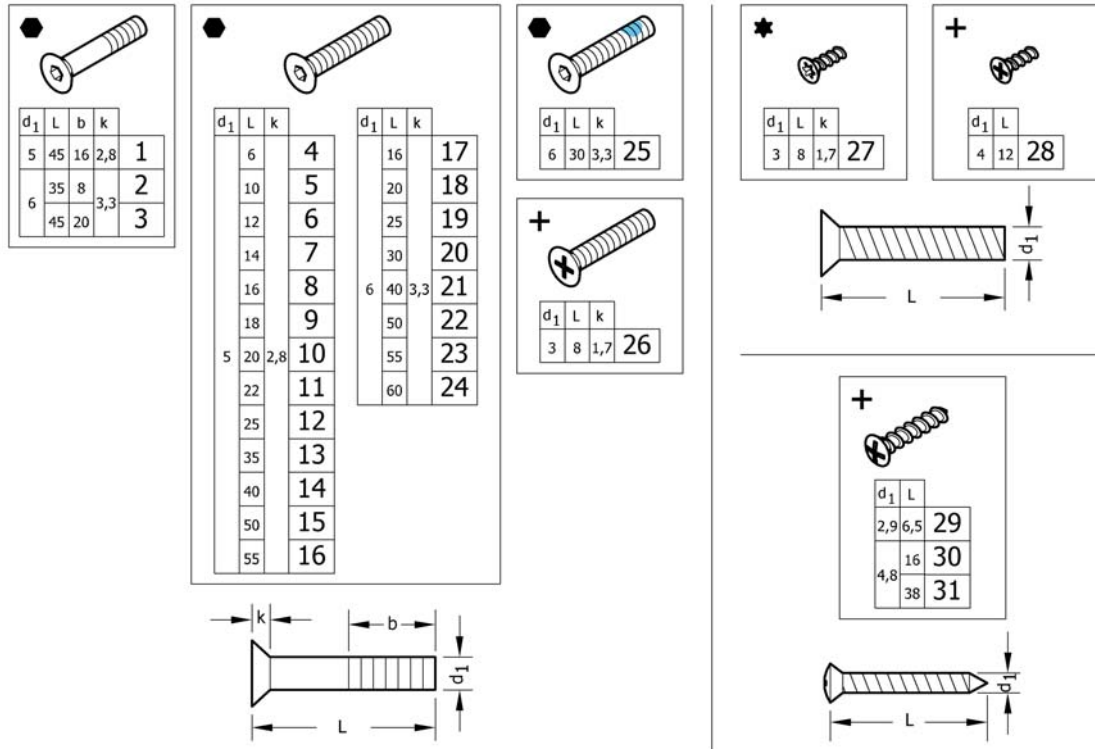
(Socket head cap screws)

16	1579131	(Hex socket head cap screws partially threaded, black, M8x65, kit 10 Pcs.) <i>Replaces 1510316 (10x)</i>	1
17	1579132	(Hex socket head cap screws partially threaded, black, M10x45, kit 2 Pcs.) <i>Replaces 1496010 (2x)</i>	1
18	1579133	(Hex socket head cap screws partially threaded, black, M10x90, kit 2 Pcs.) <i>Replaces 1496013 (2x)</i>	1
19	1579134	(Hex socket head cap screws fully threaded, black, M4x20, kit 25 Pcs.) <i>Replaces 100.1050 (25x)</i>	1
20	1579135	(Hex socket head cap screws fully threaded, black, M5x8, kit 5 Pcs.) <i>Replaces 1493753 (5x)</i>	1
21	1579136	(Hex socket head cap screws fully threaded, black, M5x12, kit 25 Pcs.) <i>Replaces 100.1084 (25x)</i>	1
22	1579137	(Hex socket head cap screws fully threaded, black, M5x18, kit 25 Pcs.) <i>Replaces 100.1087 (25x)</i>	1
23	1579138	(Hex socket head cap screws fully threaded, black, M5x22, kit 25 Pcs.) <i>Replaces 100.1089 (25x)</i>	1
24	1579139	(Hex socket head cap screws fully threaded, black, M5x25, kit 25 Pcs.) <i>Replaces 100.1090 (25x)</i>	1
25	1579140	(Hex socket head cap screws fully threaded, black, M5x35, kit 25 Pcs.) <i>Replaces 100.1092 (25x)</i>	1
26	1579141	(Hex socket head cap screws fully threaded, black, M6x10, kit 25 Pcs.) <i>Replaces 100.1123 (25x)</i>	1
27	1579142	(Hex socket head cap screws fully threaded, black, M6x20, kit 25 Pcs.) <i>Replaces 100.1128 (25x)</i>	1
28	1579143	(Hex socket head cap screws fully threaded, black, M6x25, kit 25 Pcs.) <i>Replaces 100.1130 (25x)</i>	1
29	1579144	(Hex socket head cap screws fully threaded, black, M6x30, kit 25 Pcs.) <i>Replaces 100.1131 (25x)</i>	1
30	1579145	(Hex socket head cap screws fully threaded, black, M6x35, kit 25 Pcs.) <i>Replaces 100.1132 (25x)</i>	1
31	1579146	(Hex socket head cap screws fully threaded, black, M6x40, kit 10 Pcs.) <i>Replaces 1563349 (10x)</i>	1
32	1579147	(Hex socket head cap screws fully threaded, black, M6x60, kit 10 Pcs.) <i>Replaces 100.1137 (10x)</i>	1
33	1579148	(Hex socket head cap screws fully threaded, black, M8x20, kit 10 Pcs.) <i>Replaces 1510307 (10x)</i>	1
34	1579149	(Hex sock.Head cap screws partial.Thread., black, TufLok, M5x45, kit 5 Pcs.) <i>Replaces 1496014 (5x)</i>	1
35	1579150	(Hex sock.Head cap screws partial.Thread., black, TufLok, M10x60, kit 2 Pcs.) <i>Replaces 1496011 (2x)</i>	1
36	1579151	(Hex sock.Head cap screws partial.Thread., black, TufLok, M10x75, kit 2 Pcs.) <i>Replaces 1496012 (2x)</i>	1
37	1579152	(Hex socket head cap screws fully threaded, black, TufLok, M5x18, kit 10 Pcs.) <i>Replaces 1425241 (10x)</i>	1
38	1579153	(Hex socket head cap screws fully threaded, black, TufLok, M5x25, kit 10 Pcs.) <i>Replaces 1570153 (10x)</i>	1
39	1579154	(Hex socket head cap screws full.Thread., zi.Blue, TufLok, M6x16, kit 10 Pcs.) <i>Replaces 1560219 (10x)</i>	1
40	1579155	(Hex socket head cap screws fully threaded, black, TufLok, M6x20, kit 10 Pcs.) <i>Replaces 1498775 (10x)</i>	1
41	1579156	(Hex sock.Head cap screws, low head, part.Thread., black, M5x20, kit 25 Pcs.) <i>Replaces 1438501 (25x)</i>	1
42	1579157	(Hex sock.Head cap screws, low head, part.Thread., black, M5x25, kit 25 Pcs.) <i>Replaces 1438518 (25x)</i>	1
43	1579158	(Hex sock.Head cap screws, low head, part.Thread., black, M5x30, kit 25 Pcs.) <i>Replaces 100.5090 (25x)</i>	1

(Socket head cap screws)

44	1579159	(Hex sock.Head cap screws, low head, part.Thread., black, M5x35, kit 25 Pcs.) <i>Replaces 100.5091 (25x)</i>	1
45	1579160	(Hex sock.Head cap screws, low head, part.Thread., black, M6x25, kit 25 Pcs.) <i>Replaces 1432120 (25x)</i>	1
46	1579161	(Hex sock.Head cap screws, low head, part.Thread., black, M6x30, kit 25 Pcs.) <i>Replaces 100.5130 (25x)</i>	1
47	1579162	(Hex sock.Head cap screws, low head, part.Thread., black, M6x35, kit 25 Pcs.) <i>Replaces 1438504 (25x)</i>	1
48	1579163	(Hex sock.Head cap screws, low head, part.Thread., black, M6x40, kit 25 Pcs.) <i>Replaces 100.5132 (25x)</i>	1
49	1579164	(Hex sock.Head cap screws, low head, part.Thread., black, M6x50, kit 25 Pcs.) <i>Replaces 100.5134 (25x)</i>	1
50	1579165	(Hex sock.Head cap screws, low head, part.Thread., black, M5x14, kit 25 Pcs.) <i>Replaces 100.5085 (25x)</i>	1
51	1579166	(Hex sock.Head cap screws, low head, part.Thread., black, M6x18, kit 25 Pcs.) <i>Replaces 100.5126 (25x)</i>	1
52	1579167	(Hex sock.Head cap screws, low head, part.Thread., black, M6x20, kit 25 Pcs.) <i>Replaces 100.5127 (25x)</i>	1
53	1579168	(Hex soc.Head cap scr., low head, part.Threa., bl., TufL., M5x10, kit 10 Pcs.) <i>Replaces 1496026 (10x)</i>	1
54	1579169	(Hex socket head cap screws, special low head, black, M5x10, kit 25 Pcs.) <i>Replaces 1437290 (25x)</i>	1
55	1579170	(Hex socket head cap screws, special low head, black, M6x6, kit 25 Pcs.) <i>Replaces 1425182 (25x)</i>	1
56	1579171	(Hex socket head cap screws, special low head, black, M6x16, kit 25 Pcs.) <i>Replaces 1541181 (25x)</i>	1
57	1579172	(Hex socket head cap screws, special low head, black, M6x20, kit 25 Pcs.) <i>Replaces 107.1022 (25x)</i>	1
58	1579173	(Hex socket head cap screws, spec.Low head, black, TufLok, M5x6, kit 10 Pcs.) <i>Replaces 1532039 (10x)</i>	1
59	1579174	(Hex socket head cap screws, spec.Low head, black, TufLok, M6x10, kit 10 Pcs.) <i>Replaces 1420946 (10x)</i>	1

(Countersunk screws)

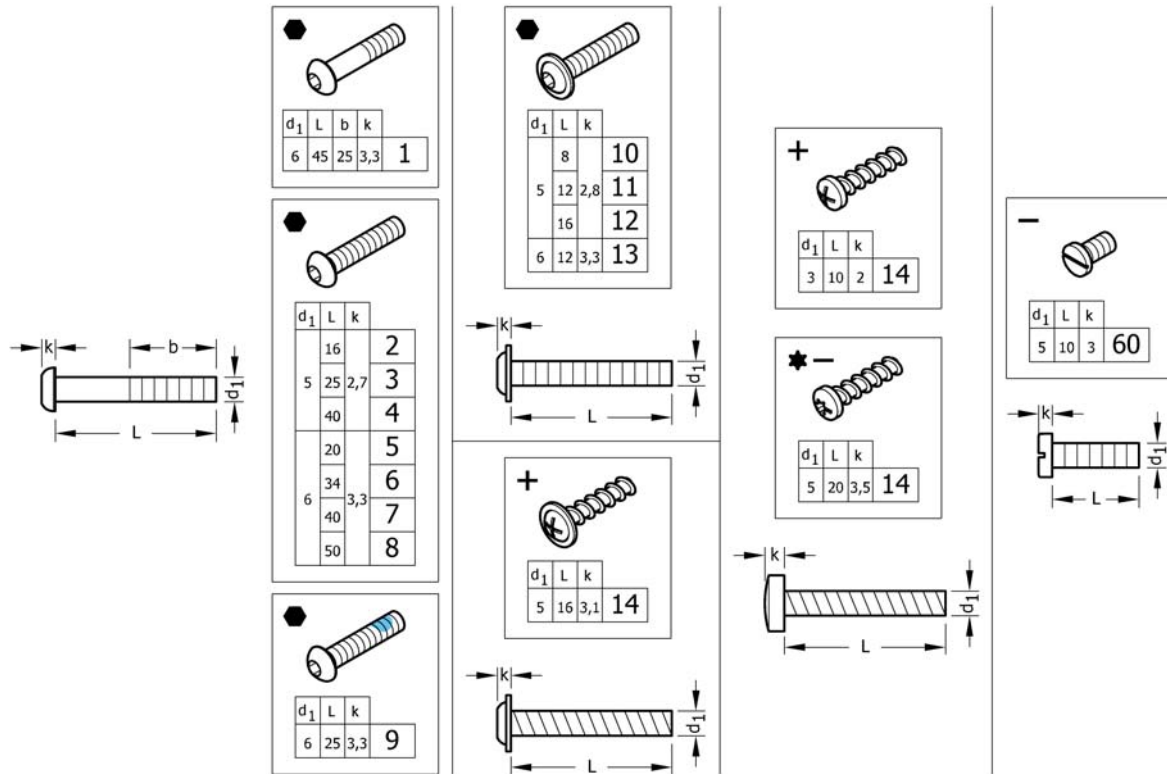


1	1579175	(Countersunk head screws partially threaded, Black, M5x45, kit 10 Pcs.) <i>Replaces 1438773 (10x)</i>	1
2	1579176	(Countersunk head screws partially threaded, Black, M6x35, kit 10 Pcs.) <i>Replaces 107.1004 (10x)</i>	1
3	1579177	(Countersunk head screws partially threaded, Black, M6x45, kit 10 Pcs.) <i>Replaces 100.3133 (10x)</i>	1
4	1579178	(Countersunk head screws fully threaded, Black, M5x6, kit 25 Pcs.) <i>Replaces 1445273 (25x)</i>	1
5	1579179	(Countersunk head screws fully threaded, Black, M5x10, kit 25 Pcs.) <i>Replaces 100.3082 (25x)</i>	1
6	1579180	(Countersunk head screws fully threaded, Black, M5x12, kit 25 Pcs.) <i>Replaces 1438999 (25x)</i>	1
7	1579181	(Countersunk head screws fully threaded, Black, M5x14, kit 25 Pcs.) <i>Replaces 107.1015 (25x)</i>	1
8	1579182	(Countersunk head screws fully threaded, Black, M5x16, kit 25 Pcs.) <i>Replaces 100.3085 (25x)</i>	1
9	1579183	(Countersunk head screws fully threaded, Black, M5x18, kit 25 Pcs.) <i>Replaces 100.3086 (25x)</i>	1
10	1579184	(Countersunk head screws fully threaded, Black, M5x20, kit 25 Pcs.) <i>Replaces 100.3087 (25x)</i>	1
11	1579185	(Countersunk head screws fully threaded, Black, M5x22, kit 25 Pcs.) <i>Replaces 1416930 (25x)</i>	1
12	1579186	(Countersunk head screws fully threaded, Black, M5x25, kit 25 Pcs.) <i>Replaces 100.3089 (25x)</i>	1
13	1579187	(Countersunk head screws fully threaded, Black, M5x35, kit 25 Pcs.) <i>Replaces 100.3091 (25x)</i>	1
14	1579188	(Countersunk head screws fully threaded, Black, M5x40, kit 25 Pcs.) <i>Replaces 1432148 (25x)</i>	1
15	1579189	(Countersunk head screws fully threaded, Black, M5x50, kit 25 Pcs.) <i>Replaces 100.3094 (25x)</i>	1
16	1579190	(Countersunk head screws fully threaded, Black, M5x55, kit 25 Pcs.) <i>Replaces 100.3095 (25x)</i>	1
17	1579191	(Countersunk head screws fully threaded, Black, M6x16, kit 25 Pcs.) <i>Replaces 100.3125 (25x)</i>	1
18	1579192	(Countersunk head screws full.Threaded, zinc flake coat., M6x20, kit 25 Pcs.) <i>Replaces 100.3127 (25x)</i>	1

(Countersunk screws)

18	1579193	(Countersunk head screws fully threaded, Black, M6x20, kit 25 Pcs.) <i>Replaces 1437809 (25x)</i>	1
19	1579194	(Countersunk head screws fully threaded, Black, M6x25, kit 25 Pcs.) <i>Replaces 100.3129 (25x)</i>	1
20	1579195	(Countersunk head screws fully threaded, Black, M6x30, kit 25 Pcs.) <i>Replaces 100.3130 (25x)</i>	1
21	1579196	(Countersunk head screws fully threaded, Black, M6x40, kit 25 Pcs.) <i>Replaces 100.3132 (25x)</i>	1
22	1579197	(Countersunk head screws fully threaded, Black, M6x50, kit 25 Pcs.) <i>Replaces 100.3134 (25x)</i>	1
23	1579198	(Countersunk head screws fully threaded, Black, M6x55, kit 25 Pcs.) <i>Replaces 100.3135 (25x)</i>	1
24	1579199	(Countersunk head screws fully threaded, Black, M6x60, kit 25 Pcs.) <i>Replaces 100.3136 (25x)</i>	1
25	1579200	(Countersunk head screws fully threaded, Black, TufLok, M6x30, kit 25 Pcs.) <i>Replaces 1550479 (25x)</i>	1
26	1579201	(Countersunk head screws fully threaded, zi.Blue, M3x8, kit 25 Pcs.) <i>Replaces 1529279 (25x)</i>	1
27	1579202	(Countersunk head PT screws, Torx, stainless steel, 3x8, kit 25 Pcs.) <i>Replaces 1529278 (25x)</i>	1
28	1579203	(Countersunk head PT screws, Black, KA40x12, kit 25 Pcs.) <i>Replaces 1438513 (25x)</i>	1
29	1579204	(Countersunk head tapping screws with cone end, Black, ST2,9x6,5, kit 25 Pcs.) <i>Replaces 126.5041 (25x)</i>	1
30	1579205	(Countersunk head tapping screws with cone end, Black, ST4,8x16, kit 25 Pcs.) <i>Replaces 126.5202 (25x)</i>	1
31	1579206	(Countersunk head tapping screws with cone end, Black, ST4,8x38, kit 25 Pcs.) <i>Replaces 126.5207 (25x)</i>	1

(Button head screws)

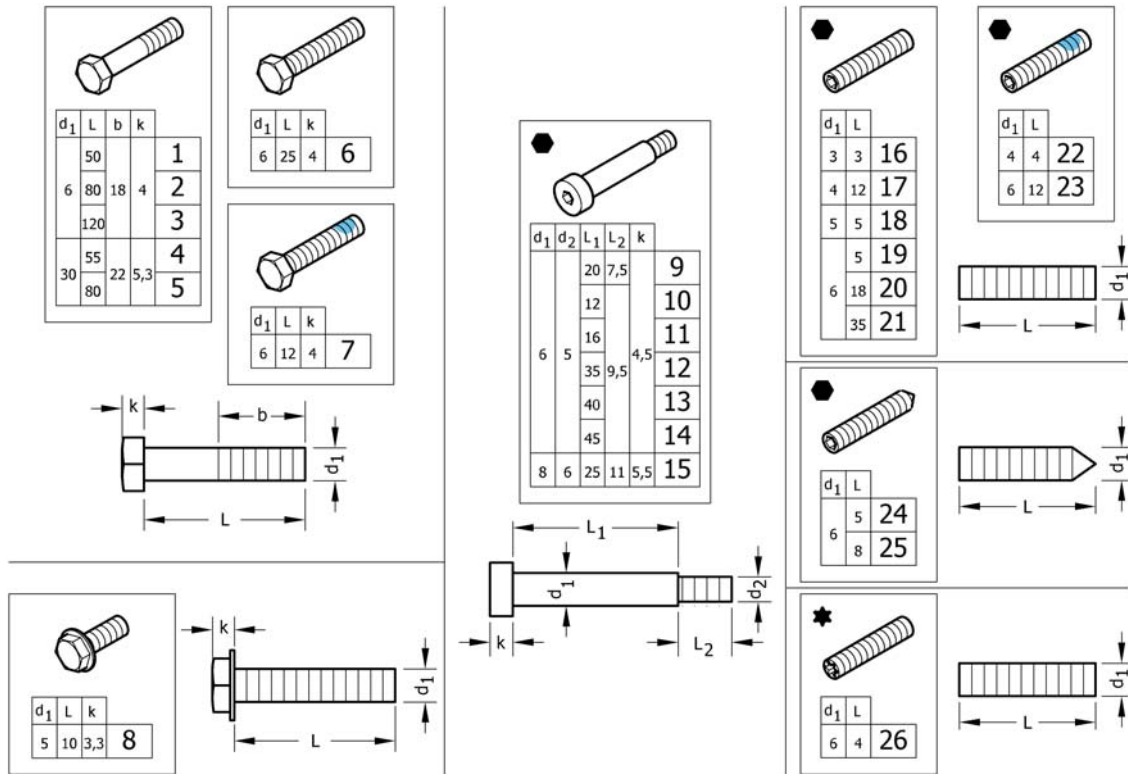


1	1579259	(Hex sock.Button head cap screws partially thread., Black, M6x45, kit 25 Pcs.) <i>Replaces 1438507 (25x)</i>	1
2	1579260	(Hex socket button head cap screws fully threaded, Black, M5x16, kit 25 Pcs.) <i>Replaces 1445341-0003 (25x)</i>	1
3	1579261	(Hex socket button head cap screws fully threaded, Black, M5x25, kit 25 Pcs.) <i>Replaces 107.1021 (25x)</i>	1
4	1579262	(Hex socket button head cap screws fully threaded, Black, M5x40, kit 25 Pcs.) <i>Replaces 1445101-0003 (25x)</i>	1
5	1579263	(Hex socket button head cap screws fully threaded, Black, M6x20, kit 25 Pcs.) <i>Replaces 1439153 (25x)</i>	1
6	1579264	(Hex socket button head cap screws fully threaded, Black, M6x34, kit 25 Pcs.) <i>Replaces 1438506-0003 (25x)</i>	1
7	1579265	(Hex socket button head cap screws fully threaded, Black, M6x40, kit 25 Pcs.) <i>Replaces 1439530-0003 (25x)</i>	1
8	1579266	(Hex socket button head cap screws fully threaded, Black, M6x50, kit 25 Pcs.) <i>Replaces 1439531-0003 (25x)</i>	1
9	1579267	(Hex sock.But.Head cap screws full.Thread., Black, TufLok, M6x25, kit 25 Pcs.) <i>Replaces 1438505 (25x)</i>	1
10	1579268	(Button head socket cap screws with flange, Black, M5x8, kit 25 Pcs.) <i>Replaces 1536268 (25x)</i>	1
11	1579269	(Button head socket cap screws with flange, Black, M5x12, kit 25 Pcs.) <i>Replaces 1529290 (25x)</i>	1
12	1579270	(Button head socket cap screws with flange, Black, M5x16, kit 25 Pcs.) <i>Replaces 1445102-0003 (25x)</i>	1
13	1579271	(Button head socket cap screws with flange, Black, M6x12, kit 25 Pcs.) <i>Replaces 1432204 (25x)</i>	1
14	1579272	(Round washer head PT® screws, form H, zinc plated blue, M5x16, kit 25 Pcs.) <i>Replaces 1536057 (25x)</i>	1

(Button head screws)

15	1579273	(Pan head PT screws, form H, zinc plated blue, M3x10, kit 25 Pcs.) <i>Replaces ZM003510A (25x)</i>	1
16	1579274	(Pan head PT screws, Torx, Black, M5x20, kit 25 Pcs.) <i>Replaces 1424569 (25x)</i>	1
17	1579275	(Slotted machine screws, Black, M5x10, kit 25 Pcs.) <i>Replaces 102.2083 (25x)</i>	1

(Hex-head screws, diverse, ...)

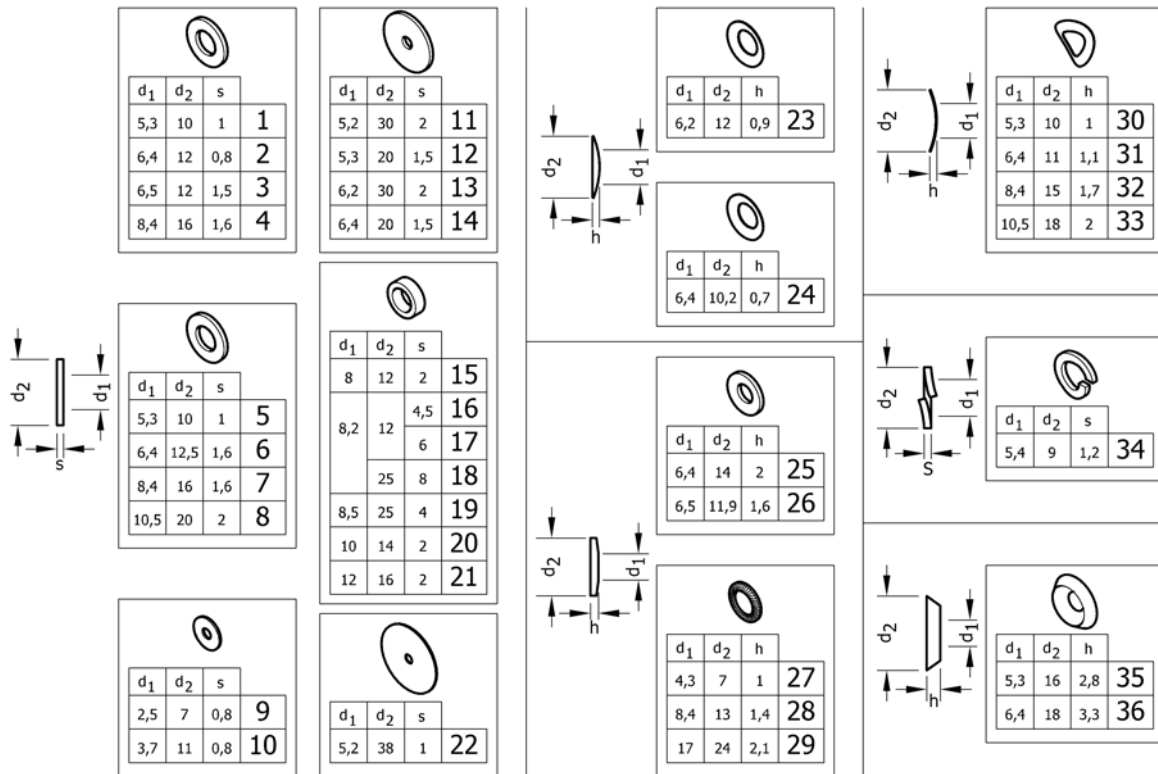


1	1579276	(Hex head bolts partially threaded, Black, M6x50, kit 10 Pcs.) <i>Replaces 101.1134 (10x)</i>	1
2	1579277	(Hex head bolts partially threaded, Black, M6x80, kit 10 Pcs.) <i>Replaces 1438508 (10x)</i>	1
3	1579278	(Hex head bolts partially threaded, Black, M6x120, kit 10 Pcs.) <i>Replaces 1438509 (10x)</i>	1
4	1579279	(Hex head bolts partially threaded, Black, M8x55, kit 10 Pcs.) <i>Replaces 101.1174 (10x)</i>	1
5	1579280	(Hex head bolts partially threaded, Black, M8x80, kit 10 Pcs.) <i>Replaces 101.1179 (10x)</i>	1
6	1579281	(Hex head screws fully threaded, Black, M6x25, kit 10 Pcs.) <i>Replaces 1437299 (10x)</i>	1
7	1579282	(Hex head screws fully threaded, Black, TufLok, M6x12, kit 10 Pcs.) <i>Replaces 1564245 (10x)</i>	1
8	1579283	(Hex flange head machine screws with flange Black, M5x10, kit 10 Pcs.) <i>Replaces 107.1014 (10x)</i>	1
9	1579295	(Hex socket head shoulder bolts, Black, Ø6x20 / M5, kit 4 Pcs.) <i>Replaces 1488934-0003 (4x)</i>	1
10	1579296	(Hex socket head shoulder bolts, Black, Ø6x12 / M5, kit 4 Pcs.) <i>Replaces 1564246 (4x)</i>	1
11	1579297	(Hex socket head shoulder bolts, Black, Ø6x16 / M5, kit 4 Pcs.) <i>Replaces 1529291 (4x)</i>	1
12	1579298	(Hex socket head shoulder bolts, Black, Ø6x35 / M5, kit 4 Pcs.) <i>Replaces 1496034 (4x)</i>	1
13	1579299	(Hex socket head shoulder bolts, Black, Ø6x40 / M5, kit 4 Pcs.) <i>Replaces 107.1023 (4x)</i>	1
14	1579300	(Hex socket head shoulder bolts, Black, Ø6x45 / M5, kit 4 Pcs.) <i>Replaces 1496030 (4x)</i>	1
15	1579301	(Hex socket head shoulder bolts, Black, Ø8x25 / M6, kit 4 Pcs.) <i>Replaces ZM008252A (4x)</i>	1
16	1579284	(Hex socket set screws with flat point, Black, M3x3, kit 25 Pcs.) <i>Replaces 116.1001 (25x)</i>	1
17	1579285	(Hex socket set screws with flat point, Black, M4x12, kit 25 Pcs.) <i>Replaces 116.1046 (25x)</i>	1
18	1579286	(Hex socket set screws with flat point, zinc plated blue, M5x5, kit 25 Pcs.) <i>Replaces 116.1081 (25x)</i>	1

(Hex-head screws, diverse, ...)

19	1579287	(Hex socket set screws with flat point, Black, M6x5, kit 25 Pcs.) <i>Replaces 1437272 (25x)</i>	1
20	1579288	(Hex socket set screws with flat point, zinc plated blue, M6x18, kit 25 Pcs.) <i>Replaces 1559106 (25x)</i>	1
21	1579289	(Hex socket set screws with flat point, Black, M6x35, kit 25 Pcs.) <i>Replaces 116.1133 (25x)</i>	1
22	1579290	(Hex socket set screws with flat point, Black, TufLok, M4x4, kit 10 Pcs.) <i>Replaces 1493792 (10x)</i>	1
23	1579291	(Hex socket set screws with flat point, Z.Plat.Bl., TufLok, M6x12, kit 10Pcs.) <i>Replaces 1439057 (10x)</i>	1
24	1579292	(Hex socket set screws with cone point, Black, M6x5, kit 25 Pcs.) <i>Replaces 116.2121 (25x)</i>	1
25	1579293	(Hex socket set screws with cone point, Black, M6x8, kit 25 Pcs.) <i>Replaces 116.2123 (25x)</i>	1
26	1579294	(Screws with cup point, Torx, zinc plated blue, M6x4, kit 25 Pcs.) <i>Replaces 1567763 (25x)</i>	1

(Washers)

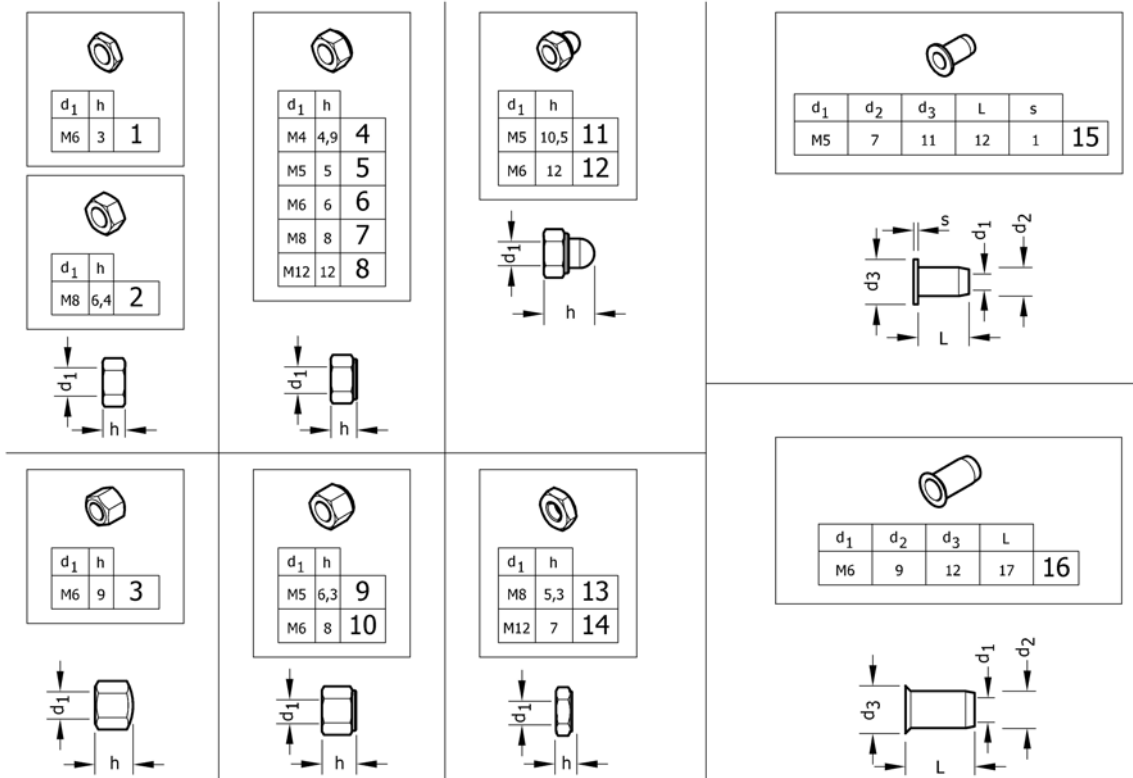


1	1579225	(Flat washers without chamfer, black, 5,3x10x1, kit 50 Pcs.) <i>Replaces 150.1004 (50x)</i>	1
2	1579226	(Flat washers without chamfer, black, 6,4x12x0,8, kit 50 Pcs.) <i>Replaces 150.2001 (50x)</i>	1
3	1579227	(Flat washers without chamfer, zinc plated blue, 6,5x12x1,5, kit 50 Pcs.) <i>Replaces 5729091 (50x)</i>	1
4	1579228	(Flat washers without chamfer, black, 8,4x16x1,6, kit 50 Pcs.) <i>Replaces 150.1012 (50x)</i>	1
5	1579229	(Flat washers without chamfer, polyamide, 5,3x10x1, kit 50 Pcs.) <i>Replaces 150.3003 (50x)</i>	1
6	1579230	(Flat washers without chamfer, polyamide, 6,4x12,5x1,6, kit 50 Pcs.) <i>Replaces 150.3004 (50x)</i>	1
7	1579231	(Flat washers without chamfer, polyamide, 8,4x16x1,6, kit 50 Pcs.) <i>Replaces 150.3005 (50x)</i>	1
8	1579232	(Flat washers without chamfer, polyamide, 10,5x20x2, kit 50 Pcs.) <i>Replaces 150.3006 (50x)</i>	1
9	1579233	(Flat washers without chamfer, zinc plated blue, 2,5x7x0,8, kit 50 Pcs.) <i>Replaces 150.2012 (50x)</i>	1
10	1579234	(Flat washers without chamfer, zinc plated blue, 3,7x11x0,8, kit 50 Pcs.) <i>Replaces ZM203501A (50x)</i>	1
11	1579235	(Flat washers without chamfer, black, 5,2x30x2, kit 20 Pcs.) <i>Replaces 150.2006 (20x)</i>	1
12	1579236	(Flat washers without chamfer, black, 5,3x20x1,5, kit 50 Pcs.) <i>Replaces 150.2010 (50x)</i>	1
13	1579237	(Flat washers without chamfer, black, 6,2x30x2, kit 20 Pcs.) <i>Replaces 150.2009 (20x)</i>	1
14	1579238	(Flat washers without chamfer, black, 6,4x25x1,5, kit 50 Pcs.) <i>Replaces 1451753 (50x)</i>	1
15	1579239	(Hinge rings, black, 8x12x2, kit 50 Pcs.) <i>Replaces 150.5002 (50x)</i>	1
16	1579240	(Distance sleeve, alu, 8,2x12x4,5, kit 20 Pcs.) <i>Replaces 1420970 (20x)</i>	1
17	1579241	(Distance sleeve, alu, 8,2x12x6, kit 20 Pcs.) <i>Replaces 1420969 (20x)</i>	1
18	1581292	(Distance sleeve, alu, 8,2x25x8, kit 2 Pcs.) <i>Replaces 151.1002 (2x)</i>	1

(Washers)

19	1583052	(Distance sleeve, alu, black, 8,5x25x4, kit 10 Pcs.) <i>Replaces 151.1014 (10x)</i>	1
20	1579242	(Hinge rings, zinc plated blue, 10x14x2, kit 50 Pcs.) <i>Replaces 1506666 (50x)</i>	1
21	1579243	(Hinge rings, black, 12x16x2, kit 50 Pcs.) <i>Replaces 150.5006 (50x)</i>	1
22	1579244	(Rubber washers, 5,2x38x1, kit 20 Pcs.) <i>Replaces 1424891 (20x)</i>	1
23	1579245	(Disc springs, black, 6,2x12x0,9, kit 50 Pcs.) <i>Replaces 160.1015 (50x)</i>	1
24	1579246	(Conical spring washers, zinc plated blue, 6,4x10,2x0,7, kit 50 Pcs.) <i>Replaces 161.1004 (50x)</i>	1
25	1579247	(Conical spring washers, black, 6,4x14x2, kit 50 Pcs.) <i>Replaces 161.2004 (50x)</i>	1
26	1579248	(Conical spring washers, zinc plated blue, 6,5x11,9x1,6, kit 50 Pcs.) <i>Replaces ZM206001A (50x)</i>	1
27	1579249	(Ribbed lock washers, black, 4,3x7x1, kit 50 Pcs.) <i>Replaces 155.2002 (50x)</i>	1
28	1579250	(Ribbed lock washers, zinc plated blue, 8,4x13x1,4, kit 50 Pcs.) <i>Replaces 155.2005 (50x)</i>	1
29	1579251	(Ribbed lock washers, zinc plated blue, 17x24x2,1, kit 50 Pcs.) <i>Replaces 155.2009 (50x)</i>	1
30	1579252	(Curved spring washers, black, 5,3x10x1, kit 50 Pcs.) <i>Replaces 1438515 (50x)</i>	1
31	1579253	(Curved spring washers, black, 6,4x11x1,1, kit 50 Pcs.) <i>Replaces 1438516 (50x)</i>	1
32	1579254	(Curved spring washers, zinc plated blue, 8,4x15x1,7, kit 50 Pcs.) <i>Replaces ZM208003A (50x)</i>	1
33	1579255	(Curved spring washers, zinc plated blue, 10,5x18x2, kit 50 Pcs.) <i>Replaces ZM201581A (50x)</i>	1
34	1579256	(Split spring lock washers, black, 5,4x9x1,2, kit 50 Pcs.) <i>Replaces 155.1003 (50x)</i>	1
35	1579257	(Finishing washers 90° countersunk head screw, black, 5,3x16x2,8, kit 50 Pcs.) <i>Replaces 150.6003 (50x)</i>	1
36	1579258	(Finishing washers 90° countersunk head screw, black, 6,4x18x3,3, kit 50 Pcs.) <i>Replaces 150.6004 (50x)</i>	1

(Nuts)

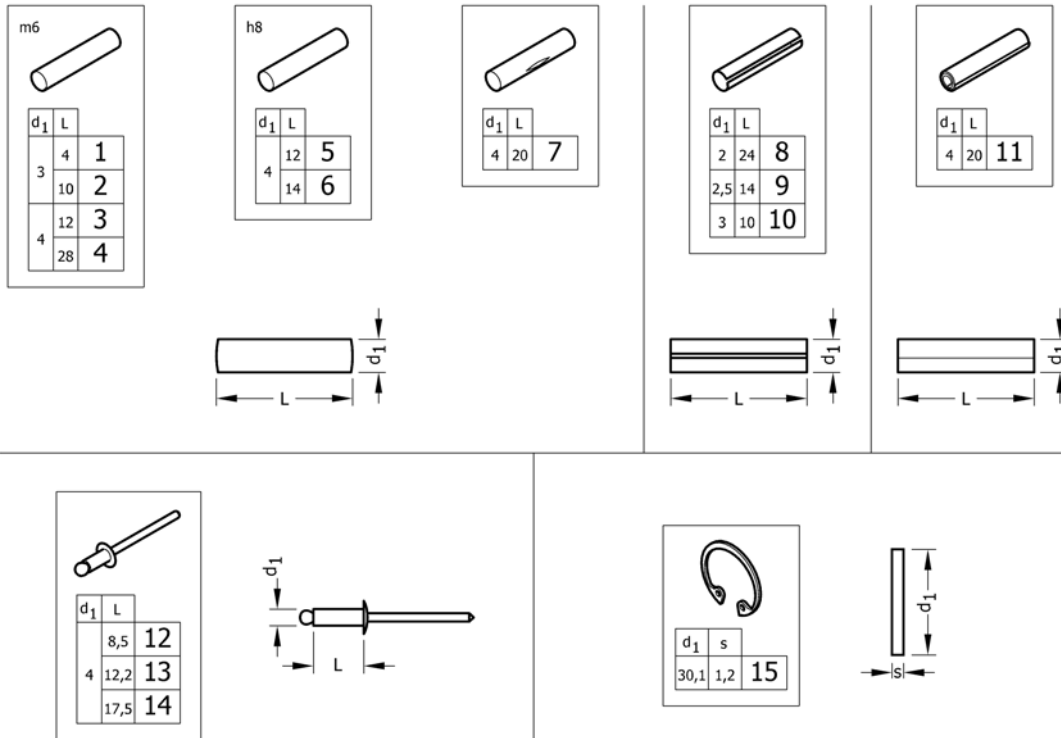


1	1579207	(Hex jam nuts, black, M6, kit 25 Pcs.) <i>Replaces 108.3004 (25x)</i>	1
2	1579208	(Hexagon nuts , black, M8, kit 25 Pcs.) <i>Replaces 1420997 (25x)</i>	1
3	1579209	(Hex cap nuts, low type, black, M6, kit 25 Pcs.) <i>Replaces 109.5009 (25x)</i>	1
4	1579210	(Prev.Torque lock nuts, thin type, with polyam.Insert, black, M4, kit 25 Pcs.) <i>Replaces 109.1002 (25x)</i>	1
5	1579211	(Prev.Torque lock nuts, thin type, with polyam.Insert, black, M5, kit 25 Pcs.) <i>Replaces 109.1003 (25x)</i>	1
5	1579212	(Prev.Torque lock nuts, thin type, with polyam.Insert, zi.Bl., M5, kit 25 Pcs.) <i>Replaces 109.5008 (25x)</i>	1
6	1579213	(Prev.Torque lock nuts, thin type, with polyam.Insert, black, M6, kit 25 Pcs.) <i>Replaces 109.1004 (25x)</i>	1
6	1579214	(Prev.Torque lock nuts, thin type, with polyam.Insert, zi.Bl., M6, kit 25 Pcs.) <i>Replaces ZM106001A (25x)</i>	1
7	1579215	(Prev.Torque lock nuts, thin type, with polyam.Insert, black, M8, kit 25 Pcs.) <i>Replaces 109.1005 (25x)</i>	1
8	1579216	(Prev.Torque lock nuts, thin type, with polyam.Insert, black, M12, kit 4 Pcs.) <i>Replaces 109.1007 (4x)</i>	1
9	1579217	(Preva.Torq.Hex lock nuts, high type with poly.Insert, black, M5, kit 25 Pcs.) <i>Replaces 1493771 (25x)</i>	1
10	1579218	(Preva.Torq.Hex lock nuts, high type with poly.Insert, black, M6, kit 25 Pcs.) <i>Replaces 109.5001 (25x)</i>	1
11	1579219	(Prevail.Torque hex domed cap nuts with polyam.Insert, black, M5, kit 25 Pcs.) <i>Replaces 109.5006 (25x)</i>	1
12	1579220	(Prevail.Torque hex domed cap nuts with polyam.Insert, black, M6, kit 25 Pcs.) <i>Replaces 109.5003 (25x)</i>	1
13	1579221	(Prevailing torque hex lock nuts, all-metal, thin typeblack, M8, kit 10 Pcs.) <i>Replaces 109.5005 (10x)</i>	1

(Nuts)

14	1579222	(Prevailing torque hex lock nuts, all-metal, thin typeblack, M12, kit 4 Pcs.) <i>Replaces 109.5004 (4x)</i>	1
15	1579223	(Blind rivet nuts, flat head, open type, black, M5, kit 10 Pcs.) <i>Replaces 180.4007 (10x)</i>	1
16	1579224	(Blind rivet nut with low countersunk head, open type, black, M6, kit 10 Pcs.) <i>Replaces 180.4105 (10x)</i>	1

(Pins, rivets, ...)



1	1579302	(Parallel pins, Ø3x4 m6, kit 10 Pcs.) <i>Replaces 1439336 (10x)</i>	1
2	1579303	(Parallel pins, Ø3x10 m6, kit 10 Pcs.) <i>Replaces 1439337 (10x)</i>	1
3	1579304	(Parallel pins, Ø4x12 m6, kit 20 Pcs.) <i>Replaces 200.1124 (20x)</i>	1
4	1579305	(Parallel pins, Ø4x28 m6, kit 20 Pcs.) <i>Replaces 1437344 (20x)</i>	1
5	1579306	(Parallel pins, Ø4x12 h8, kit 20 Pcs.) <i>Replaces 1487663 (20x)</i>	1
6	1579307	(Parallel pins, Ø4x14 h8, kit 20 Pcs.) <i>Replaces 1487662 (20x)</i>	1
7	1579308	(Grooved pins, center grooved, Ø4x20, kit 20 Pcs.) <i>Replaces 1517718 (20x)</i>	1
8	1579309	(Slotted spring pins, heavy duty, Black, Ø2x24, kit 20 Pcs.) <i>Replaces 200.4011 (20x)</i>	1
9	1579310	(Slotted spring pins, heavy duty, Black, Ø2,5x14, kit 20 Pcs.) <i>Replaces 200.4007 (20x)</i>	1
10	1579311	(Slotted spring pins, heavy duty, stainless steel, Ø3x10, kit 20 Pcs.) <i>Replaces 1567997 (20x)</i>	1
11	1579312	(Spiral spring pins, Black, Ø4x20, kit 20 Pcs.) <i>Replaces 200.3167 (20x)</i>	1
12	1579313	(Dome head blind rivets, Ø4x8,5, kit 20 Pcs.) <i>Replaces 1439292 (20x)</i>	1
13	1579314	(Dome head blind rivets, Ø4x12,2, kit 20 Pcs.) <i>Replaces 180.5116 (20x)</i>	1
14	1579315	(Dome head blind rivets, Ø4x17,5, kit 20 Pcs.) <i>Replaces 180.5019 (20x)</i>	1
15	1579316	(Retaining rings for bores, Std.Design, Z.plat.Blue, Ø30,1X1,2, kit 20 Pcs.) <i>Replaces ZM50J281A (20x)</i>	1



Yes, you can.®



Belgium & Luxemburg:

Invacare nv, Autobaan 22, B-8210 Loppem
Tel: (32) (0)50 83 10 10, Fax: (32) (0)50 83 10 11
belgium@invacare.com / www.invacare.be

Denmark:

Invacare A/S, Sdr. Ringvej 37, DK-2605 Brøndby
Tel: (45) (0)36 90 00 00, Fax: (45) (0)36 90 00 01
denmark@invacare.com / www.invacare.dk

Deutschland:

Invacare Aquatec GmbH, Alemannenstraße 10, D-88316 Isny
Tel: (49) (0)75 62 7 00 0, Fax: (49) (0)75 62 7 00 66
info@invacare-aquatec.com / www.invacare-aquatec.de

European Distributor Organisation:

Invacare, Kleiststraße 49, D-32457 Porta Westfalica
Tel: (49) (0)57 31 754 540, Fax: (49) (0)57 31 754 541
edo@invacare.com / www.invacare.eu.com

España:

Invacare SA, c/Areny s/n, Polígon Industrial de Celrà, E-17460 Celrà (Girona)
Tel: (34) (0)972 49 32 00, Fax: (34) (0)972 49 32 20
contactsp@invacare.com / www.invacare.es

France:

Invacare Poirier SAS, Route de St Roch, F-37230 Fondettes
Tel: (33) (0)2 47 62 64 66, Fax: (33) (0)2 47 42 12 24
contactfr@invacare.com / www.invacare.fr

Ireland:

Invacare Ireland Ltd, Unit 5 Seatown Business Campus, Seatown Road, Swords, County Dublin - Ireland
Tel: (353) 1 810 7084, Fax: (353) 1 810 7085
ireland@invacare.com / www.invacare.ie

Italia:

Invacare Mecc San s.r.l., Via dei Pini 62, I-36016 Thiene (VI)
Tel: (39) 0445 38 00 59, Fax: (39) 0445 38 00 34
italia@invacare.com / www.invacare.it

Nederland:

Invacare BV, Celsiusstraat 46, NL-6716 BZ Ede
Tel: (31) (0)318 695 757, Fax: (31) (0)318 695 758
nederland@invacare.com, csede@invacare.com / www.invacare.nl

Norge:

Invacare AS, Grensesvingen 9, Postboks 6230, Etterstad, N-0603 Oslo
Tel: (47) (0)22 57 95 00, Fax: (47) (0)22 57 95 01
norway@invacare.com, island@invacare.com / www.invacare.no

Österreich:

Invacare Austria GmbH, Herzog Odilostrasse 101, A-5310 Mondsee
Tel: (43) 6232 5535 0, Fax: (43) 6232 5535 4
info-austria@invacare.com / www.invacare.at

Portugal:

Invacare Lda, Rua Estrada Velha, 949, P-4465-784 Leça do Balio
Tel: (351) (0)225 1059 46/47, Fax: (351) (0)225 1057 39
portugal@invacare.com / www.invacare.pt

Sverige & Suomi:

Invacare AB, Fagerstagatan 9, S-163 91 Spånga
Tel: (46) (0)8 761 70 90, Fax: (46) (0)8 761 81 08
sweden@invacare.com, finland@invacare.com / www.invacare.se

Switzerland:

Invacare AG, Benkenstrasse 260, CH-4108 Witterswil
Tel: (41) (0)61 487 70 80, Fax: (41) (0)61 487 70 81
switzerland@invacare.com / www.invacare.ch

United Kingdom:

Invacare Limited, Pencoed Technology Park, Pencoed, Bridgend CF35 5AQ
Switchboard Tel: (44) (0)1656 776200, Fax: (44) (0)1656 776201
Customer services Tel: (44) (0)1656 776222, Fax: (44) (0)1656 776220
uk@invacare.com / www.invacare.co.uk