

Spare Parts Catalogue

Version: 2015/12/29a NL



küschall Advance™



Yes, you can.®

General Information

For any order of spare parts the following information is required:

- Product type*
- Product name & model*
- Serial Number*
- Part-Number*
- Part-Description*

Exploded view drawings and code numbers are not contractual and subject to modification, in relation to Invacare® continuous product improvement policy to meet end users needs.

The reproduction or use of this work, or of any substantial part of this work, in any form or by any electronic, mechanical or other means, including photocopying, scanning and recording, and in any information storage and retrieval system, including electronic transmission, is forbidden without the prior written permission of Invacare® International Sarl.



Yes, you can.®

TABLE OF CONTENTS

(INFORMATION)

(INFORMATION)	7
(Abbreviations)	8
(Frame colours)	9
(CPS colours)	10

(CHASSIS)

(CHASSIS)	11
(Frame Aluminium 75° standard)	12
(Frame Aluminium 75° adducted)	13
(Frame Aluminium 75° quick release)	14
(Frame Aluminium 90° standard)	16
(Frame Aluminium 90° adducted)	17
(Frame Aluminium 90° quick release)	18
(Axle tube Aluminium)	20
(Axle tube Carbon)	21
(Vario-Ax)	22
(Vertical brace)	23
(Axle holder)	24

(SEAT)

(SEAT)	25
(Seat module)	26
(Seat cushion standard)	28

(BACKREST)

(BACKREST)	30
(Backrest standard)	31
(Backrest for fixed backrest)	33
(Backrest cover light)	34
(Bands to adjustable backrest)	37
(Cover to adjustable backrest)	38
(Push handles, height adjustable, rear set)	39

(FOOTREST)

(FOOTREST)	40
(Footrest standard)	41
(Footrest standard highmounted)	43
(Footrest standard for adducted frame)	45
(Footrest standard highmounted for adducted frame)	47
(Footrest standard for quick release frame)	48
(Footrest standard highmounted for quick release frame)	50
(Footrest angle adjustable)	52
(Footrest angle adjustable highmounted)	53
(Footrest angle adjustable for adducted frame)	54
(Footrest angle adjustable highmounted for adducted frame)	55
(Footrest flip-to-side)	56
(Footrest flip-to-side for adducted frame)	57
(Calf strap)	58



Yes, you can.®

TABLE OF CONTENTS

(SIDERESTS)

(SIDERESTS)	59
(Clothes-guards carbon)	60
(Configuration table clothes-guard carbon)	61
(Mudguards carbon)	62
(Configuration table mudguards carbon)	63
(Siderest height adjustable)	64
(Tubular armrest)	65

(FRONT WHEELS)

(FRONT WHEELS)	66
(Front forks standard)	67
(Configuration table for front fork size)	69
(Front wheels)	70

(REAR WHEELS)

(REAR WHEELS)	72
(22" Kuschall rear wheels complete)	73
(24" Kuschall rear wheels complete)	75
(26" Kuschall rear wheels complete)	78
(High Performance wheel)	81
(Mountainbike wheel)	83
(Ultra-light fibre wheel)	84
(Spinergy wheel)	85
(Spinergy LXX wheel)	86
(Hub brake wheel)	87
(Handrim)	88
(Fixation handrim)	89
(Tyre)	90
(Inner tube and rim protector)	91
(Spokes guard)	92
(Quick release axle and bearing)	93

(BRAKES)

(BRAKES)	94
(Brakes)	95

(SEAT ACCESSORIES)

(SEAT ACCESSORIES)	96
(Seat bag)	97

(OPTIONS & ACCESSORIES)

(OPTIONS & ACCESSORIES)	98
(Antitipper)	99
(Antitipper with configurations)	100
(Active Antitipper)	101
(Transit wheel)	102
(Luggage holder)	103



Yes, you can.[®]

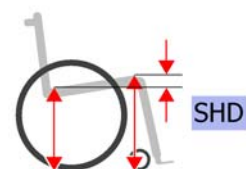
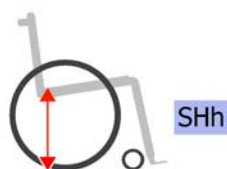
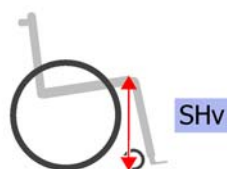
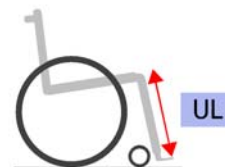
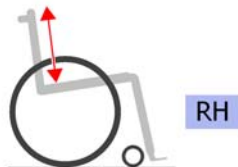
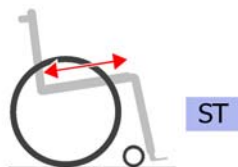
TABLE OF CONTENTS

(Chair accessories)	104
(Fixation: screws, ...)	105
(Socket head cap screws)	106
(Countersunk screws)	109
(Button head screws)	111
(Hex-head screws, diverse, ...)	113
(Washers)	115
(Nuts)	117
(Pins, rivets, ...)	119

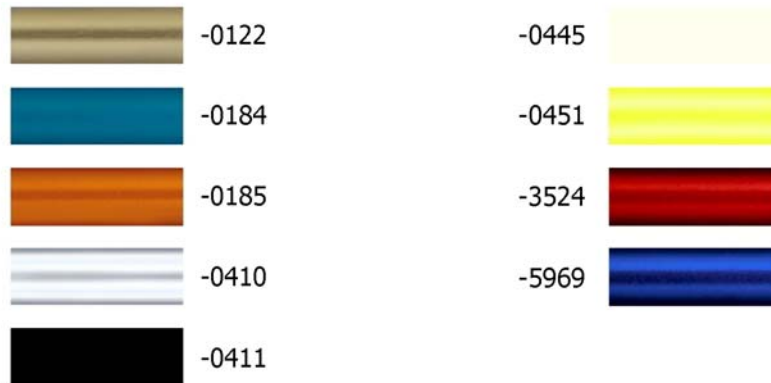
(INFORMATION)

1	-	(Abbreviations)	1
2	-	(Frame colours)	1
3	-	(CPS colours)	1

(Abbreviations)

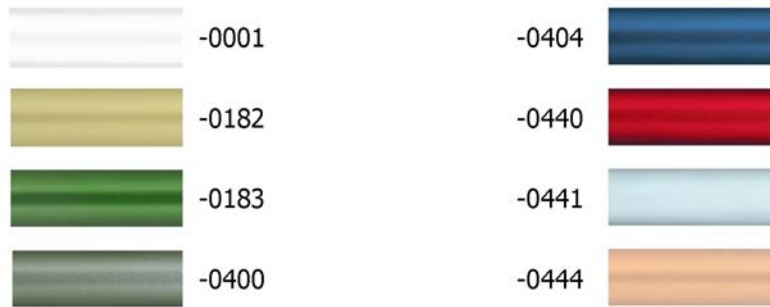


L	-	(Left side (sitting in the wheelchair))	0
R	-	(Right side (sitting in the wheelchair))	0
L+R	-	(Left and right sides (paire))	0
SB	-	(Seat width (2 digits in cm or 3 digits in mm))	0
ST	-	(Seat depth (2 digits in cm or 3 digits in mm))	0
RH	-	(Backrest height (2 digits in cm or 3 digits in mm))	0
UL	-	(Knee-to-heel length (2 digits in cm or 3 digits in mm))	0
SHv	-	(Front seat-to-floor height (2 digits in cm or 3 digits in mm))	0
SHh	-	(Rear seat-to-floor height (2 digits in cm or 3 digits in mm))	0
SHD	-	(Front and rear seat-to-floor height difference (2 digits in cm or 3 digits in mm))	0

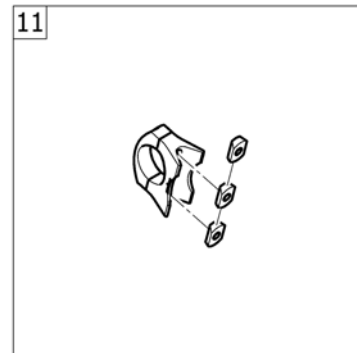
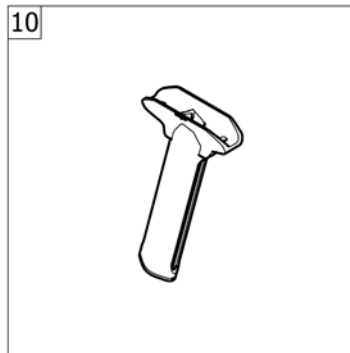
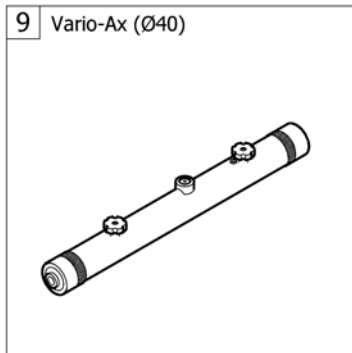
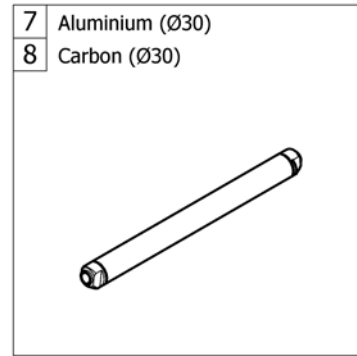
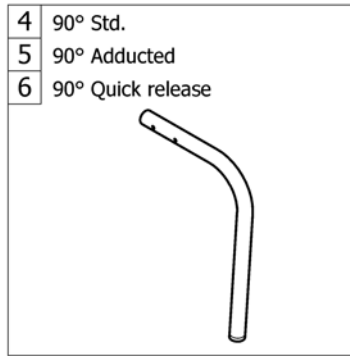
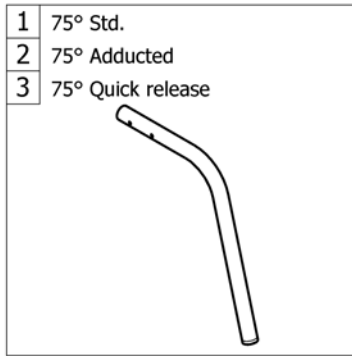
(Frame colours)

-0122	-	(Color code for golden beach frames)	01.01.2013 → 31.12.2014	0
-0184	-	(Color code for mercury blue frames)	01.01.2015 →	0
-0185	-	(Color code for dynamite orange frames)	01.01.2015 →	0
-0410	-	(Color code for polished frames)		0
-0411	-	(Color code for black matt frames)		0
-0445	-	(Color code for ivory white frames)		0
-0451	-	(Color code for flashy yellow frames)		0
-3524	-	(Color code for royal red frames)		0
-5969	-	(Color code for royal blue frames)		0

(CPS colours)

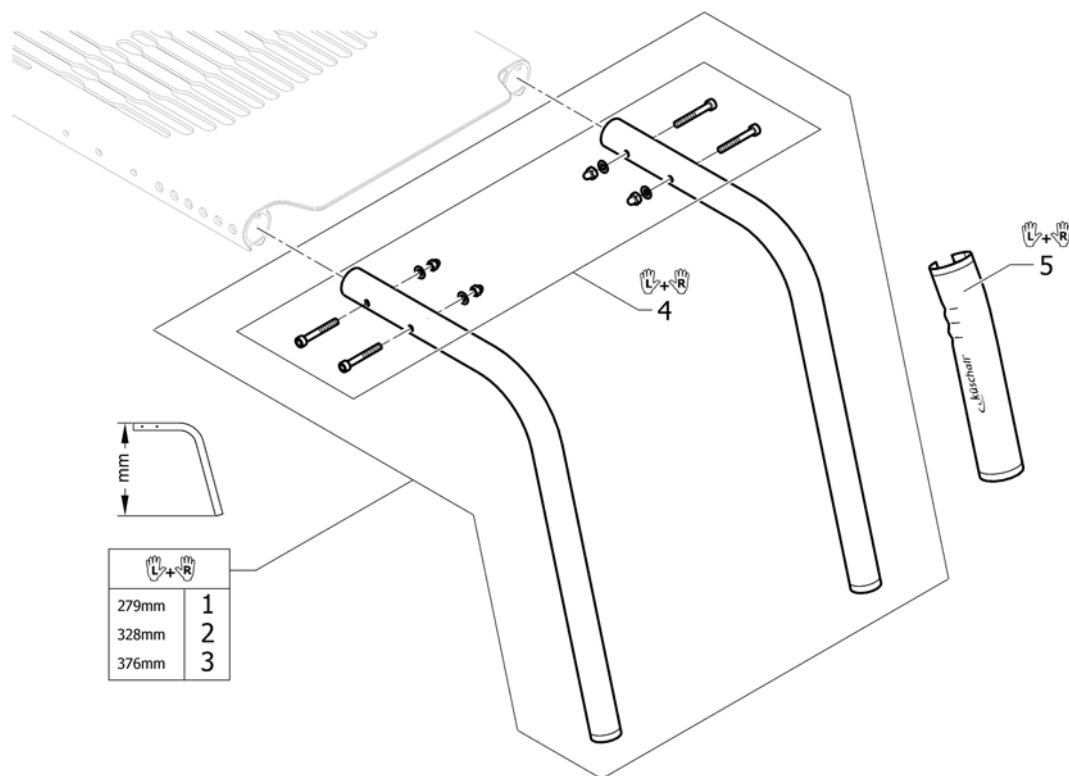


-0001	-	(Color code for chrome CPS)		0
-0182	-	(Color code for champagne CPS)	01.01.2013 →	0
-0183	-	(Color code for olive CPS)	01.01.2013 → 31.12.2014	0
-0400	-	(Color code for techno-anthrazit CPS)		0
-0404	-	(Color code for b-blue CPS)	14.05.2012 → 31.12.2014	0
-0440	-	(Color code for comet red CPS)		0
-0441	-	(Color code for arctic blue CPS)		0
-0444	-	(Color code for copper glaze CPS)	14.05.2012 → 31.12.2014	0

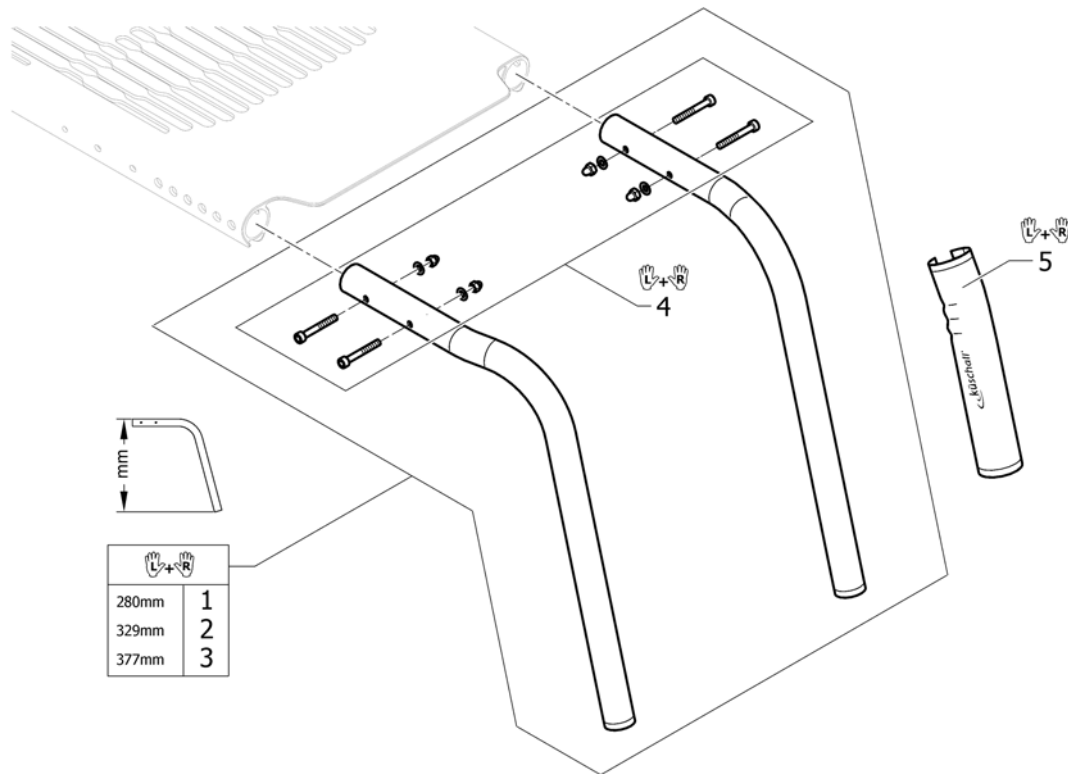


1	-	(Frame Aluminium 75° standard)		1
2	-	(Frame Aluminium 75° adducted)		1
3	-	(Frame Aluminium 75° quick release)	01.01.2013 →	1
4	-	(Frame Aluminium 90° standard)		1
5	-	(Frame Aluminium 90° adducted)		1
6	-	(Frame Aluminium 90° quick release)	01.01.2013 →	1
7	-	(Axle tube Aluminium)		1
8	-	(Axle tube Carbon)		1
9	-	(Vario-Ax)		1
10	-	(Vertical brace)		1
11	-	(Axle holder)		1

(Frame Aluminium 75° standard)

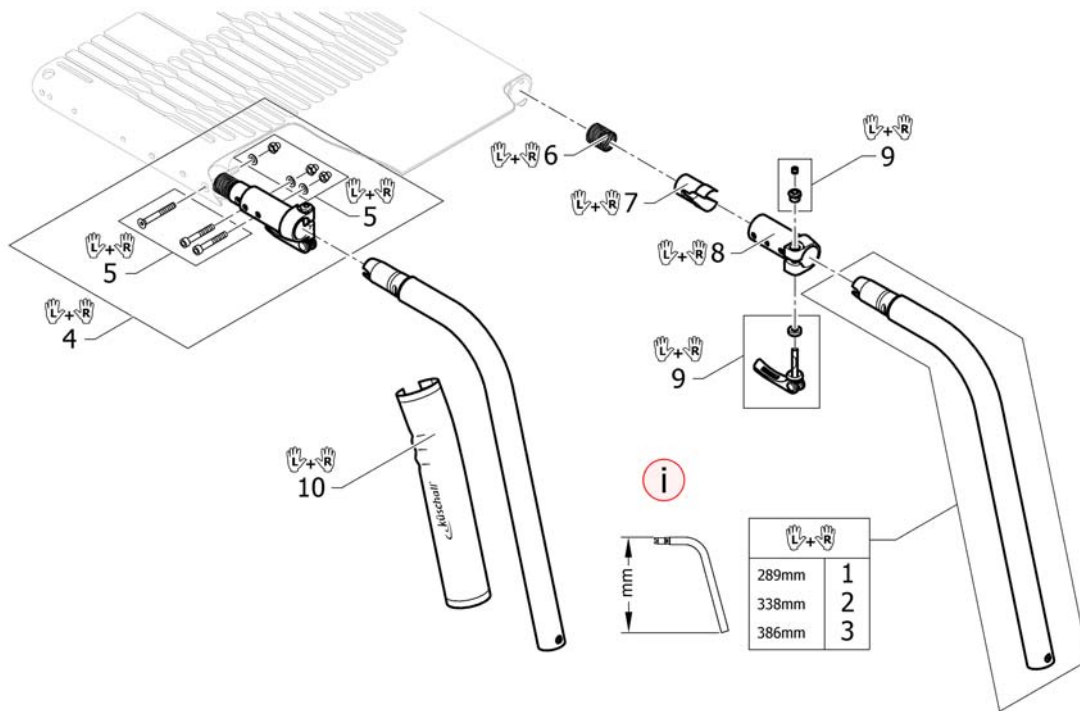


1	1560203-0122	(Front frame 75° short, pair, golden beach)	01.01.2013 → 31.12.2014	1
1	1560203-0184	(Front frame 75° short, pair, mercury blue)	01.01.2015 →	1
1	1560203-0185	(Front frame 75° short, pair, dynamite orange)	01.01.2015 →	1
1	1560203-0410	(Front frame 75° short, pair, polished)		1
1	1560203-0411	(Front frame 75° short, pair, black matt)		1
1	1560203-0445	(Front frame 75° short, pair, ivory white)		1
1	1560203-0451	(Front frame 75° short, pair, flashy yellow)		1
1	1560203-3524	(Front frame 75° short, pair, royal red)		1
1	1560203-5969	(Front frame 75° short, pair, royal blue)		1
2	1560204-0122	(Front frame 75° medium, pair, golden beach)	01.01.2013 → 31.12.2014	1
2	1560204-0184	(Front frame 75° medium, pair, mercury blue)	01.01.2015 →	1
2	1560204-0185	(Front frame 75° medium, pair, dynamite orange)	01.01.2015 →	1
2	1560204-0410	(Front frame 75° medium, pair, polished)		1
2	1560204-0411	(Front frame 75° medium, pair, black matt)		1
2	1560204-0445	(Front frame 75° medium, pair, ivory white)		1
2	1560204-0451	(Front frame 75° medium, pair, flashy yellow)		1
2	1560204-3524	(Front frame 75° medium, pair, royal red)		1
2	1560204-5969	(Front frame 75° medium, pair, royal blue)		1
3	1560205-0122	(Front frame 75° long, pair, golden beach)	01.01.2013 → 31.12.2014	1
3	1560205-0184	(Front frame 75° long, pair, mercury blue)	01.01.2015 →	1
3	1560205-0185	(Front frame 75° long, pair, dynamite orange)	01.01.2015 →	1
3	1560205-0410	(Front frame 75° long, pair, polished)		1
3	1560205-0411	(Front frame 75° long, pair, black matt)		1
3	1560205-0445	(Front frame 75° long, pair, ivory white)		1
3	1560205-0451	(Front frame 75° long, pair, flashy yellow)		1
3	1560205-3524	(Front frame 75° long, pair, royal red)		1
3	1560205-5969	(Front frame 75° long, pair, royal blue)		1
4	1560215	(Fixation kit seat module, Alu frame)		1
5	1529372	K-Serie 2005 framedelen beschermers pp		1

(Frame Aluminium 75° adducted)

1	1560209-0122	(Front frame 75° adducted, short, pair, golden beach)	01.01.2013 → 31.12.2014	1
1	1560209-0184	(Front frame 75° adducted, short, pair, mercury blue)	01.01.2015 →	1
1	1560209-0185	(Front frame 75° adducted, short, pair, dynamite orange)	01.01.2015 →	1
1	1560209-0410	(Front frame 75° adducted, short, pair, polished)		1
1	1560209-0411	(Front frame 75° adducted, short, pair, black matt)		1
1	1560209-0445	(Front frame 75° adducted, short, pair, ivory white)		1
1	1560209-0451	(Front frame 75° adducted, short, pair, flashy yellow)		1
1	1560209-3524	(Front frame 75° adducted, short, pair, royal red)		1
1	1560209-5969	(Front frame 75° adducted, short, pair, royal blue)		1
2	1560210-0122	(Front frame 75° adducted, medium, pair, golden beach)	01.01.2013 → 31.12.2014	1
2	1560210-0184	(Front frame 75° adducted, medium, pair, mercury blue)	01.01.2015 →	1
2	1560210-0185	(Front frame 75° adducted, medium, pair, dynamite orange)	01.01.2015 →	1
2	1560210-0410	(Front frame 75° adducted, medium, pair, polished)		1
2	1560210-0411	(Front frame 75° adducted, medium, pair, black matt)		1
2	1560210-0445	(Front frame 75° adducted, medium, pair, ivory white)		1
2	1560210-0451	(Front frame 75° adducted, medium, pair, flashy yellow)		1
2	1560210-3524	(Front frame 75° adducted, medium, pair, royal red)		1
2	1560210-5969	(Front frame 75° adducted, medium, pair, royal blue)		1
3	1560211-0122	(Front frame 75° adducted, long, pair, golden beach)	01.01.2013 → 31.12.2014	1
3	1560211-0184	(Front frame 75° adducted, long, pair, mercury blue)	01.01.2015 →	1
3	1560211-0185	(Front frame 75° adducted, long, pair, dynamite orange)	01.01.2015 →	1
3	1560211-0410	(Front frame 75° adducted, long, pair, polished)		1
3	1560211-0411	(Front frame 75° adducted, long, pair, black matt)		1
3	1560211-0445	(Front frame 75° adducted, long, pair, ivory white)		1
3	1560211-0451	(Front frame 75° adducted, long, pair, flashy yellow)		1
3	1560211-3524	(Front frame 75° adducted, long, pair, royal red)		1
3	1560211-5969	(Front frame 75° adducted, long, pair, royal blue)		1
4	1560215	(Fixation kit seat module, Alu frame)		1
5	1529372	K-Serie 2005 framedelen beschermers pp		1

(Frame Aluminium 75° quick release)

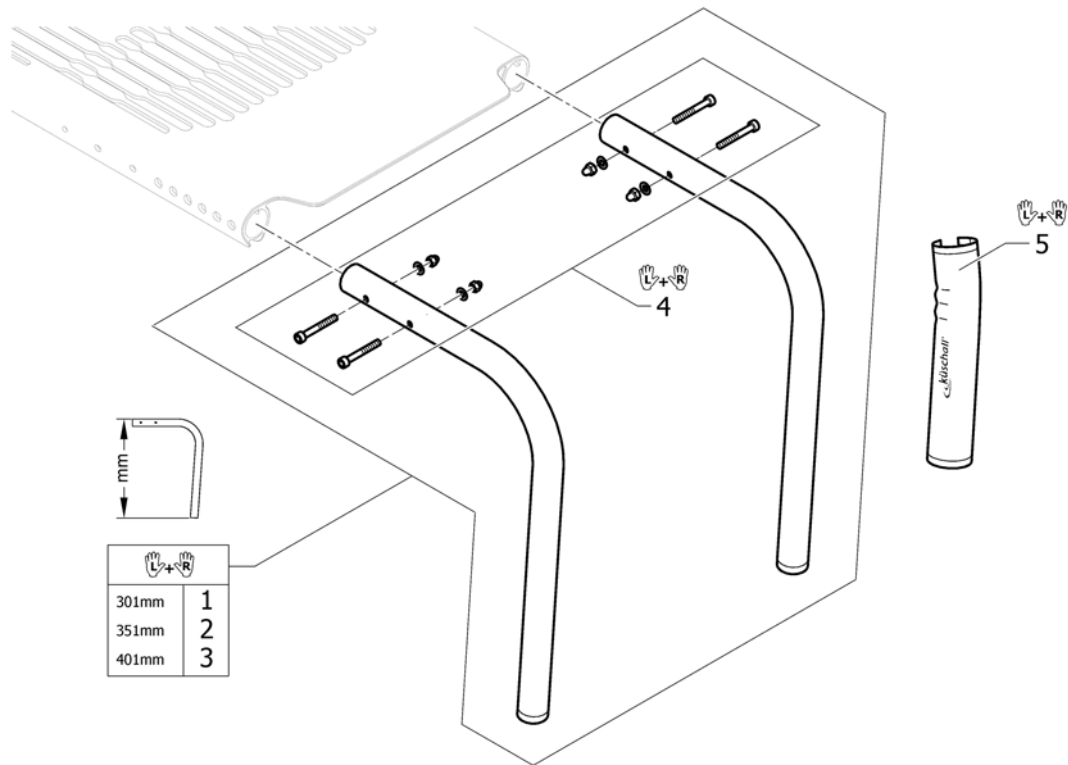


i	-	(A special footrest is necessary. See page: Footrest for quick release frame)		0
1	1567244-0122	(Quick release frames 75° short, pair, golden beach)	01.01.2013 → 31.12.2014	1
1	1567244-0184	(Quick release frames 75° short, pair, mercury blue)	01.01.2015 →	1
1	1567244-0185	(Quick release frames 75° short, pair, dynamite orange)	01.01.2015 →	1
1	1567244-0410	(Quick release frames 75° short, pair, polished)		1
1	1567244-0411	(Quick release frames 75° short, pair, black matt)		1
1	1567244-0445	(Quick release frames 75° short, pair, ivory white)		1
1	1567244-0451	(Quick release frames 75° short, pair, flashy yellow)		1
1	1567244-3524	(Quick release frames 75° short, pair, royal red)		1
1	1567244-5969	(Quick release frames 75° short, pair, royal blue)		1
2	1567245-0122	(Quick release frames 75° medium, pair, golden beach)	01.01.2013 → 31.12.2014	1
2	1567245-0184	(Quick release frames 75° medium, pair, mercury blue)	01.01.2015 →	1
2	1567245-0185	(Quick release frames 75° medium, pair, dynamite orange)	01.01.2015 →	1
2	1567245-0410	(Quick release frames 75° medium, pair, polished)		1
2	1567245-0411	(Quick release frames 75° medium, pair, black matt)		1
2	1567245-0445	(Quick release frames 75° medium, pair, ivory white)		1
2	1567245-0451	(Quick release frames 75° medium, pair, flashy yellow)		1
2	1567245-3524	(Quick release frames 75° medium, pair, royal red)		1
2	1567245-5969	(Quick release frames 75° medium, pair, royal blue)		1
3	1567246-0122	(Quick release frames 75° long, pair, golden beach)	01.01.2013 → 31.12.2014	1
3	1567246-0184	(Quick release frames 75° long, pair, mercury blue)	01.01.2015 →	1
3	1567246-0185	(Quick release frames 75° long, pair, dynamite orange)	01.01.2015 →	1
3	1567246-0410	(Quick release frames 75° long, pair, polished)		1
3	1567246-0411	(Quick release frames 75° long, pair, black matt)		1
3	1567246-0445	(Quick release frames 75° long, pair, ivory white)		1
3	1567246-0451	(Quick release frames 75° long, pair, flashy yellow)		1
3	1567246-3524	(Quick release frames 75° long, pair, royal red)		1
3	1567246-5969	(Quick release frames 75° long, pair, royal blue)		1

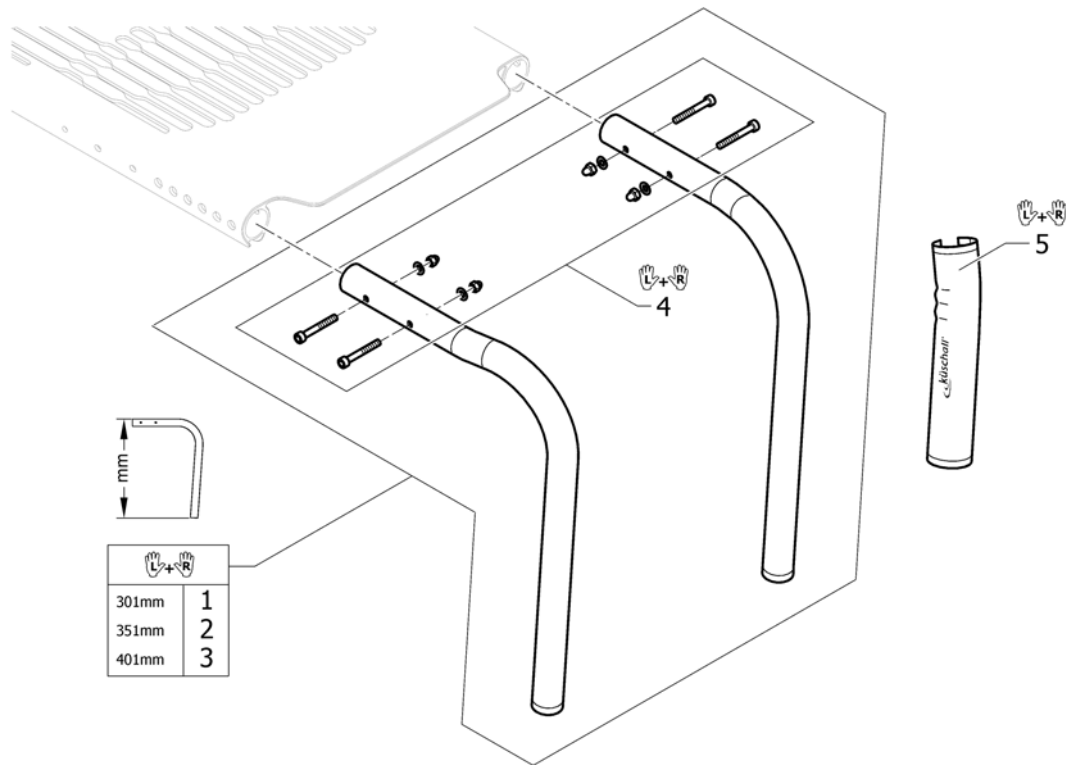
(Frame Aluminium 75° quick release)

4	1567250	(Kit coupling female for quick release frames, complete, pair)	1
5	1567251	(Fixation kit seat module, coupling female for quick release frames, pair)	1
6	1567252	(Spring for quick release frames, pair)	1
7	1567320	(Sleeve for quick release frames, pair)	1
8	1567321	(Coupling female for quick release frames, pair)	1
9	1567322	(Levers complete quick release frames, pair)	1
10	1529372	K-Serie 2005 framedelen beschermers pp	1

(Frame Aluminium 90° standard)

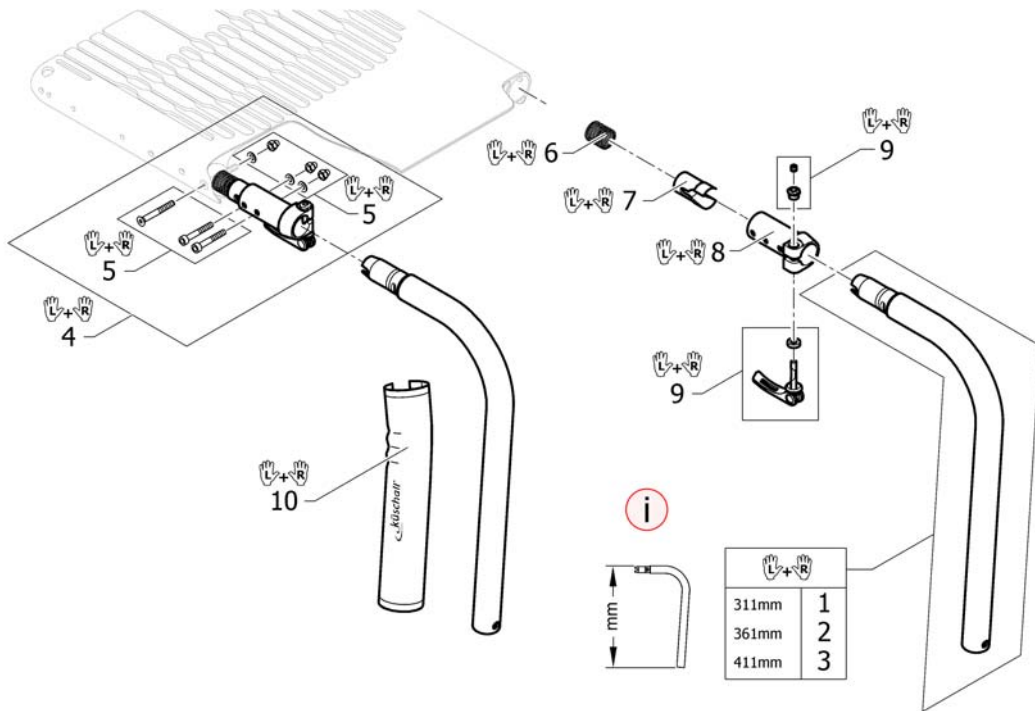


1	1560206-0122	(Front frame 90° short, pair, golden beach)	01.01.2013 → 31.12.2014	1
1	1560206-0184	(Front frame 90° short, pair, mercury blue)	01.01.2015 →	1
1	1560206-0185	(Front frame 90° short, pair, dynamite orange)	01.01.2015 →	1
1	1560206-0410	(Front frame 90° short, pair, polished)		1
1	1560206-0411	(Front frame 90° short, pair, black matt)		1
1	1560206-0445	(Front frame 90° short, pair, ivory white)		1
1	1560206-0451	(Front frame 90° short, pair, flashy yellow)		1
1	1560206-3524	(Front frame 90° short, pair, royal red)		1
1	1560206-5969	(Front frame 90° short, pair, royal blue)		1
2	1560207-0122	(Front frame 90° medium, pair, golden beach)	01.01.2013 → 31.12.2014	1
2	1560207-0184	(Front frame 90° medium, pair, mercury blue)	01.01.2015 →	1
2	1560207-0185	(Front frame 90° medium, pair, dynamite orange)	01.01.2015 →	1
2	1560207-0410	(Front frame 90° medium, pair, polished)		1
2	1560207-0411	(Front frame 90° medium, pair, black matt)		1
2	1560207-0445	(Front frame 90° medium, pair, ivory white)		1
2	1560207-0451	(Front frame 90° medium, pair, flashy yellow)		1
2	1560207-3524	(Front frame 90° medium, pair, royal red)		1
2	1560207-5969	(Front frame 90° medium, pair, royal blue)		1
3	1560208-0122	(Front frame 90° long, pair, golden beach)	01.01.2013 → 31.12.2014	1
3	1560208-0184	(Front frame 90° long, pair, mercury blue)	01.01.2015 →	1
3	1560208-0185	(Front frame 90° long, pair, dynamite orange)	01.01.2015 →	1
3	1560208-0410	(Front frame 90° long, pair, polished)		1
3	1560208-0411	(Front frame 90° long, pair, black matt)		1
3	1560208-0445	(Front frame 90° long, pair, ivory white)		1
3	1560208-0451	(Front frame 90° long, pair, flashy yellow)		1
3	1560208-3524	(Front frame 90° long, pair, royal red)		1
3	1560208-5969	(Front frame 90° long, pair, royal blue)		1
4	1560215	(Fixation kit seat module, Alu frame)		1
5	1529372	K-Serie 2005 framedelen beschermers pp		1

(Frame Aluminium 90° adducted)

1	1560212-0122	(Front frame 90° adducted, short, pair, golden beach)	01.01.2013 → 31.12.2014	1
1	1560212-0184	(Front frame 90° adducted, short, pair, mercury blue)	01.01.2015 →	1
1	1560212-0185	(Front frame 90° adducted, short, pair, dynamite orange)	01.01.2015 →	1
1	1560212-0410	(Front frame 90° adducted, short, pair, polished)		1
1	1560212-0411	(Front frame 90° adducted, short, pair, black matt)		1
1	1560212-0445	(Front frame 90° adducted, short, pair, ivory white)		1
1	1560212-0451	(Front frame 90° adducted, short, pair, flashy yellow)		1
1	1560212-3524	(Front frame 90° adducted, short, pair, royal red)		1
1	1560212-5969	(Front frame 90° adducted, short, pair, royal blue)		1
2	1560213-0122	(Front frame 90° adducted, medium, pair, golden beach)	01.01.2013 → 31.12.2014	1
2	1560213-0184	(Front frame 90° adducted, medium, pair, mercury blue)	01.01.2015 →	1
2	1560213-0185	(Front frame 90° adducted, medium, pair, dynamite orange)	01.01.2015 →	1
2	1560213-0410	(Front frame 90° adducted, medium, pair, polished)		1
2	1560213-0411	(Front frame 90° adducted, medium, pair, black matt)		1
2	1560213-0445	(Front frame 90° adducted, medium, pair, ivory white)		1
2	1560213-0451	(Front frame 90° adducted, medium, pair, flashy yellow)		1
2	1560213-3524	(Front frame 90° adducted, medium, pair, royal red)		1
2	1560213-5969	(Front frame 90° adducted, medium, pair, royal blue)		1
3	1560214-0122	(Front frame 90° adducted, long, pair, golden beach)	01.01.2013 → 31.12.2014	1
3	1560214-0184	(Front frame 90° adducted, long, pair, mercury blue)	01.01.2015 →	1
3	1560214-0185	(Front frame 90° adducted, long, pair, dynamite orange)	01.01.2015 →	1
3	1560214-0410	(Front frame 90° adducted, long, pair, polished)		1
3	1560214-0411	(Front frame 90° adducted, long, pair, black matt)		1
3	1560214-0445	(Front frame 90° adducted, long, pair, ivory white)		1
3	1560214-0451	(Front frame 90° adducted, long, pair, flashy yellow)		1
3	1560214-3524	(Front frame 90° adducted, long, pair, royal red)		1
3	1560214-5969	(Front frame 90° adducted, long, pair, royal blue)		1
4	1560215	(Fixation kit seat module, Alu frame)		1
5	1529372	K-Serie 2005 framedelen beschermers pp		1

(Frame Aluminium 90° quick release)

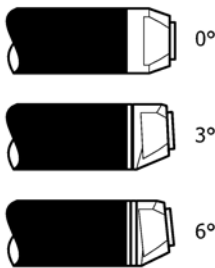


i	-	(A special footrest is necessary. See page: Footrest for quick release frame)		0
1	1567247-0122	(Quick release frames 90° short, pair, golden beach)	01.01.2013 → 31.12.2014	1
1	1567247-0184	(Quick release frames 90° short, pair, mercury blue)	01.01.2015 →	1
1	1567247-0185	(Quick release frames 90° short, pair, dynamite orange)	01.01.2015 →	1
1	1567247-0410	(Quick release frames 90° short, pair, polished)		1
1	1567247-0411	(Quick release frames 90° short, pair, black matt)		1
1	1567247-0445	(Quick release frames 90° short, pair, ivory white)		1
1	1567247-0451	(Quick release frames 90° short, pair, flashy yellow)		1
1	1567247-3524	(Quick release frames 90° short, pair, royal red)		1
1	1567247-5969	(Quick release frames 90° short, pair, royal blue)		1
2	1567248-0122	(Quick release frames 90° medium, pair, golden beach)	01.01.2013 → 31.12.2014	1
2	1567248-0184	(Quick release frames 90° medium, pair, mercury blue)	01.01.2015 →	1
2	1567248-0185	(Quick release frames 90° medium, pair, dynamite orange)	01.01.2015 →	1
2	1567248-0410	(Quick release frames 90° medium, pair, polished)		1
2	1567248-0411	(Quick release frames 90° medium, pair, black matt)		1
2	1567248-0445	(Quick release frames 90° medium, pair, ivory white)		1
2	1567248-0451	(Quick release frames 90° medium, pair, flashy yellow)		1
2	1567248-3524	(Quick release frames 90° medium, pair, royal red)		1
2	1567248-5969	(Quick release frames 90° medium, pair, royal blue)		1
3	1567249-0122	(Quick release frames 90° long, pair, golden beach)	01.01.2013 → 31.12.2014	1
3	1567249-0184	(Quick release frames 90° long, pair, mercury blue)	01.01.2015 →	1
3	1567249-0185	(Quick release frames 90° long, pair, dynamite orange)	01.01.2015 →	1
3	1567249-0410	(Quick release frames 90° long, pair, polished)		1
3	1567249-0411	(Quick release frames 90° long, pair, black matt)		1
3	1567249-0445	(Quick release frames 90° long, pair, ivory white)		1
3	1567249-0451	(Quick release frames 90° long, pair, flashy yellow)		1
3	1567249-3524	(Quick release frames 90° long, pair, royal red)		1
3	1567249-5969	(Quick release frames 90° long, pair, royal blue)		1

(Frame Aluminium 90° quick release)

4	1567250	(Kit coupling female for quick release frames, complete, pair)	1
5	1567251	(Fixation kit seat module, coupling female for quick release frames, pair)	1
6	1567252	(Spring for quick release frames, pair)	1
7	1567320	(Sleeve for quick release frames, pair)	1
8	1567321	(Coupling female for quick release frames, pair)	1
9	1567322	(Levers complete quick release frames, pair)	1
10	1529372	K-Serie 2005 framedelen beschermers pp	1

(Axle tube Aluminium)

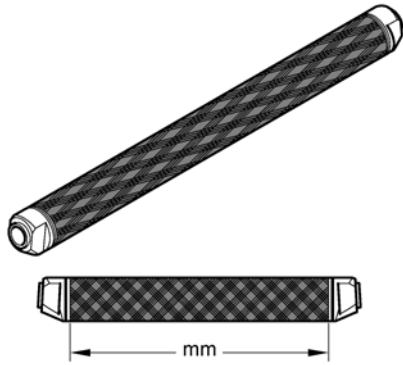


	In combination with:			SB34	SB36	SB38	SB40	SB42	SB44	SB46
0°	✓	✓	✓	1	2	3	4	5	6	7
3°	✓	✗	✓	9	10	11	12	13	14	15
	✗	✓	✓	10	11	12	13	14	15	16
6°	✓	✗	✓	18	19	20	21	22	23	24
	✗	✓	✓	19	20	21	22	23	24	25

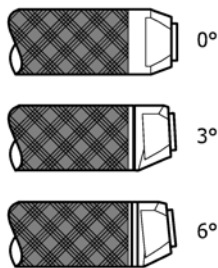
	In combination with:				SB34	SB36	SB38	SB40	SB42	SB44	SB46
0°	✓	✓	✓	0°/Vario	1	2	3	4	5	6	7
	✓	✗	✓	3°	1	2	3	4	5	6	7
	✗	✓	✓	3°	2	3	4	5	6	7	8
3°	✓	✗	✓	0°/3°/Vario	9	10	11	12	13	14	15
	✗	✓	✓	0°/3°/Vario	10	11	12	13	14	15	16
	✓	✗	✓	6°	10	11	12	13	14	15	16
	✗	✓	✓	6°	11	12	13	14	15	16	17
	✓	✗	✓	3°/6°	18	19	20	21	22	23	24
6°	✗	✓	✓	3°/6°	19	20	21	22	23	24	25

1	1545827	(Axle tube Aluminium 0° complete, 318mm)	1
2	1545828	(Axle tube Aluminium 0° complete, 338mm)	1
3	1545829	(Axle tube Aluminium 0° complete, 358mm)	1
4	1545830	Kusch as 378mm 0 gr.ps cpl G3 (zwart)	1
5	1545831	Kusch as 398mm 0 gr.ps cpl G3 (zwart)	1
6	1545832	Kusch as 418mm 0 gr.ps cpl G3 (zwart)	1
7	1545833	Kusch as 438mm 0 gr. ps cpl G3 (zwart)	1
8	1545834	Kusch as 458mm 0 gr.ps cpl G3 (zwart)	1
9	1545836	(Axle tube Aluminium 3° complete, 324mm)	1
10	1545837	Kusch as 344mm 3 gr.ps cpl G3 (zwart)	1
11	1545838	(Axle tube Aluminium 3° complete, 364mm)	1
12	1545839	Kusch as 384mm 3 gr.ps cpl G3 (zwart)	1
13	1545840	Kusch as 404mm 3 gr.ps cpl G3 (zwart)	1
14	1545841	Kusch as 424mm 3 gr.ps cpl G3 (zwart)	1
15	1545842	Kusch as 444mm 3 gr.ps cpl G3 (zwart)	1
16	1545843	Kusch as 464mm 3 gr.ps cpl G3 (zwart)	1
17	1545844	Kusch as 484mm 3 gr.ps cpl G3 (zwart)	1
18	1545846	(Axle tube Aluminium 6° complete, 354mm)	1
19	1545847	Kusch as 374mm 6 gr.ps cpl G3 (zwart)	1
20	1545848	(Axle tube Aluminium 6° complete, 394mm)	1
21	1545849	Kusch as 414mm 6 gr.ps cpl G3 (zwart)	1
22	1545850	Kusch as 434mm 6 gr.ps cpl G3 (zwart)	1
23	1545851	Kusch as 454mm 6 gr.ps cpl G3 (zwart)	1
24	1545852	(Axle tube Aluminium 6° complete, 474mm)	1
25	1545853	(Axle tube Aluminium 6° complete, 494mm)	1

(Axle tube Carbon)



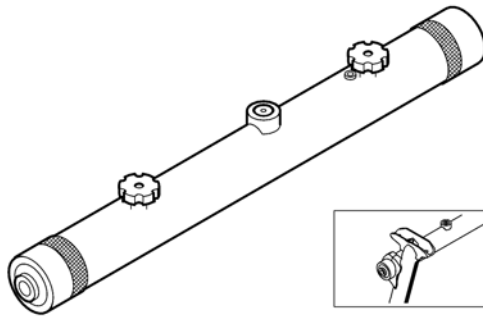
	In combination with:			SB34	SB36	SB38	SB40	SB42	SB44	SB46
0°	✓	✓	✓	1	2	3	4	5	6	7
3°	✓	✗	✓	9	10	11	12	13	14	15
	✗	✓	✓	10	11	12	13	14	15	16
6°	✓	✗	✓	18	19	20	21	22	23	24
	✗	✓	✓	19	20	21	22	23	24	25







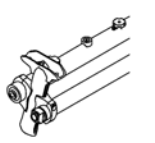



	In combination with:				SB34	SB36	SB38	SB40	SB42	SB44	SB46
0°	✓	✓	0°/Vario	✓	1	2	3	4	5	6	7
	✓	✗	3°	✓	1	2	3	4	5	6	7
	✗	✓	3°	✓	2	3	4	5	6	7	8
3°	✓	✗	0°/3°/Vario	✓	9	10	11	12	13	14	15
	✗	✓	0°/3°/Vario	✓	10	11	12	13	14	15	16
	✓	✗	6°	✓	10	11	12	13	14	15	16
	✗	✓	6°	✓	11	12	13	14	15	16	17
	✓	✗	3°/6°	✓	18	19	20	21	22	23	24
6°	✗	✓	3°/6°	✓	19	20	21	22	23	24	25

1	1507565	(Axle tube Carbon 0° complete, 318mm)	1
2	1507566	(Axle tube Carbon 0° complete, 338mm)	1
3	1507567	(Axle tube Carbon 0° complete, 358mm)	1
4	1507568	(Axle tube Carbon 0° complete, 378mm)	1
5	1507569	Kusch as 398mm 0 gr.ps carbon cpl	1
6	1507570	(Axle tube Carbon 0° complete, 418mm)	1
7	1507571	(Axle tube Carbon 0° complete, 438mm)	1
8	1507572	(Axle tube Carbon 0° complete, 458mm)	1
9	1507575	(Axle tube Carbon 3° complete, 324mm)	1
10	1507576	(Axle tube Carbon 3° complete, 344mm)	1
11	1507577	(Axle tube Carbon 3° complete, 364mm)	1
12	1507578	Kusch as 384mm 3 gr.ps carbon cpl	1
13	1507579	Kusch as 404mm 3 gr.ps carbon cpl	1
14	1507580	Kusch as 424mm 3 gr.ps carbon cpl	1
15	1507581	Kusch as 444mm 3 gr.ps carbon cpl	1
16	1507582	(Axle tube Carbon 3° complete, 464mm)	1
17	1507583	(Axle tube Carbon 3° complete, 484mm)	1
18	1507585	(Axle tube Carbon 6° complete, 354mm)	1
19	1507586	(Axle tube Carbon 6° complete, 374mm)	1
20	1507587	(Axle tube Carbon 6° complete, 394mm)	1
21	1507588	(Axle tube Carbon 6° complete, 414mm)	1
22	1507589	Kusch as 434mm 6 gr.ps carbon cpl	1
23	1507590	(Axle tube Carbon 6° complete, 454mm)	1
24	1507591	(Axle tube Carbon 6° complete, 474mm)	1
25	1507592	(Axle tube Carbon 6° complete, 494mm)	1

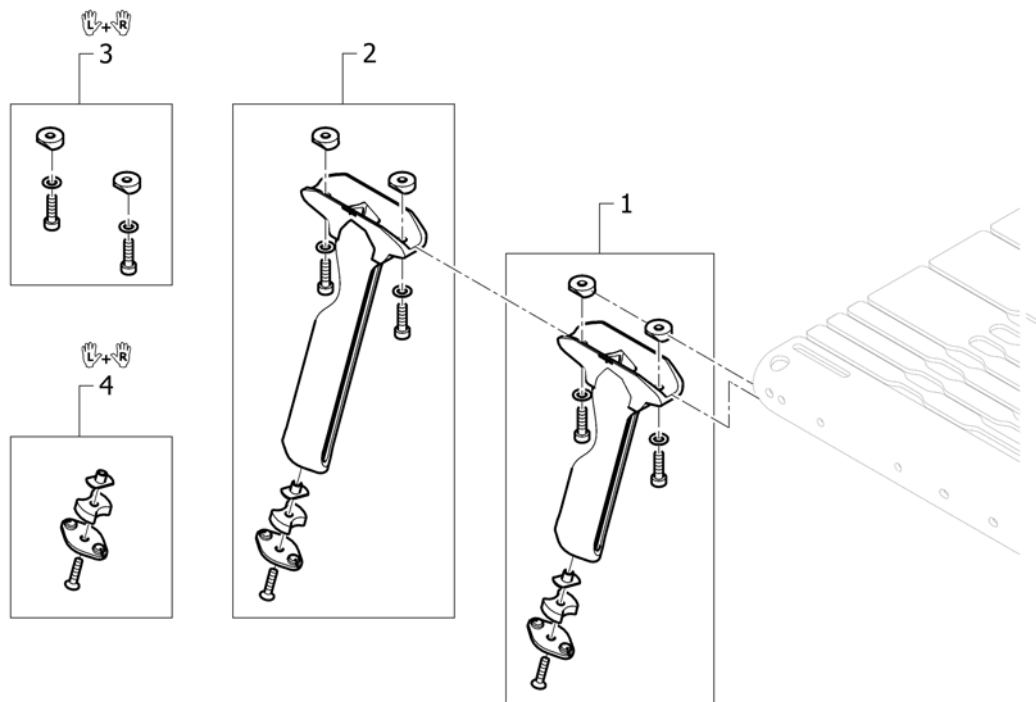
(Vario-Ax)



	In combination with:									
				SB34	SB36	SB38	SB40	SB42	SB44	SB46
✓	✓			1	2	3	4	5	6	7

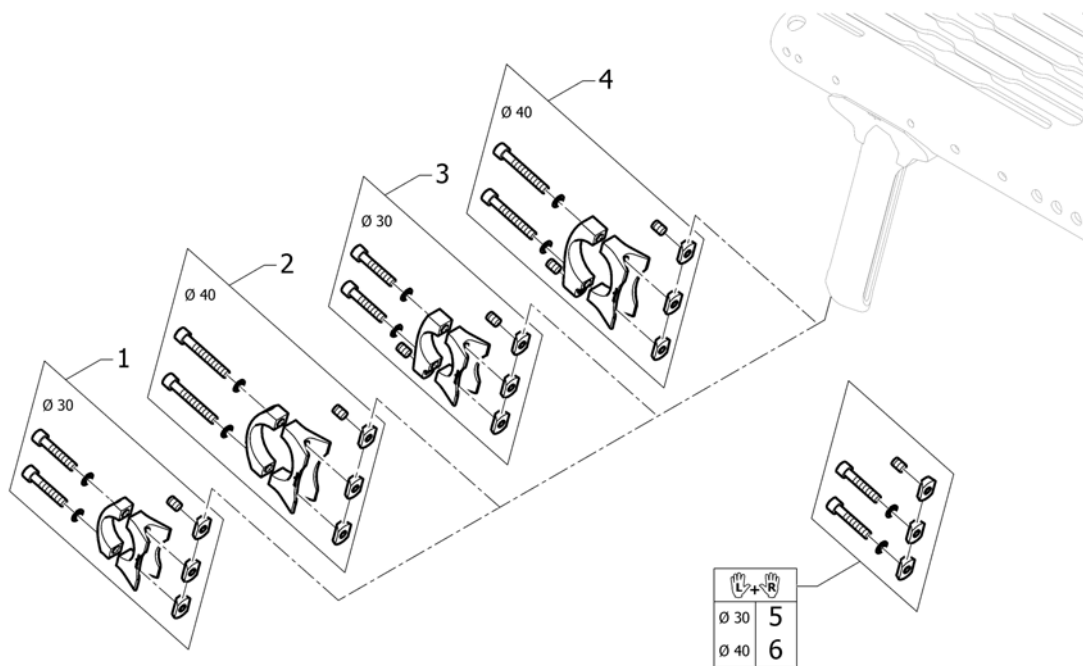
	In combination with:			SB34	SB36	SB38	SB40	SB42	SB44	SB46
				0°/Vario	3°	3°				
✓	✓		0°/Vario	1	2	3	4	5	6	7
✓	✗		3°	1	2	3	4	5	6	7
✗	✓		3°	2	3	4	5	6	7	8

1	1507611	(Vario-Ax complete 355mm)	1
2	1507612	(Vario-Ax complete 375mm)	1
3	1507613	Kusch as vario 395mm ps cpl	1
4	1507615	Kusch as vario 415mm ps cpl	1
5	1507616	Kusch as vario 435mm ps cpl	1
6	1507617	Kusch as vario 455mm ps cpl	1
7	1507619	Kusch as vario 475mm ps cpl	1
8	1507620	(Vario-Ax complete 495mm)	1

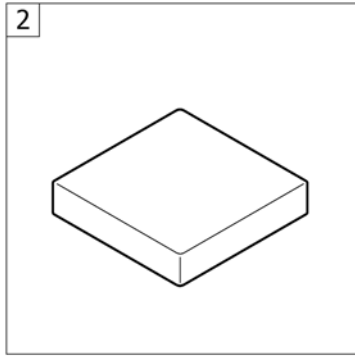
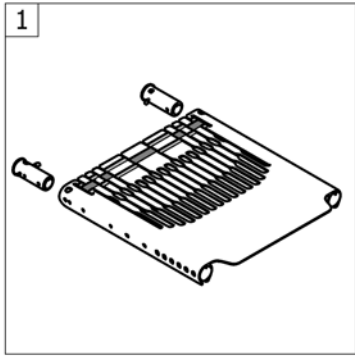


1	1560220	(Vertical brace, short, complete)	2
2	1560221	(Vertical brace, long, complete)	2
3	1560222	(Fixation kit vertical brace, pair)	1
4	1560223	(Vertical brace, plug, pair)	1

(Axle holder)

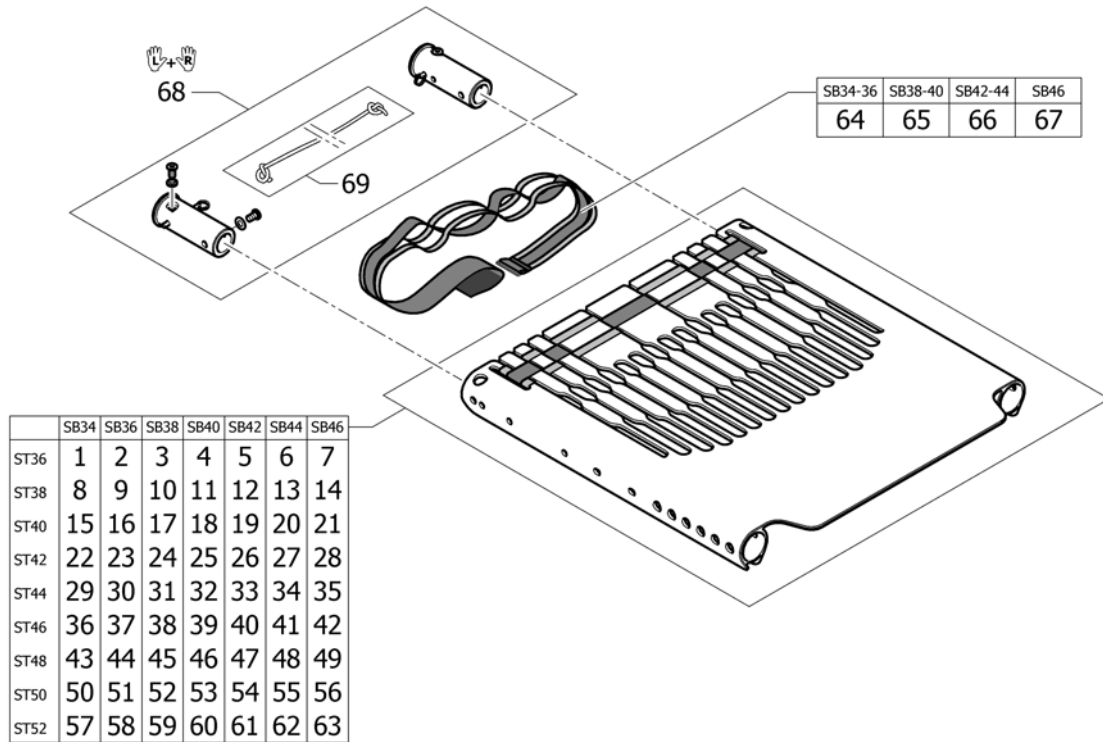


1	1560224	(Axle holder complete Ø30)	2
2	1560225	(Axle holder complete Ø40)	2
3	SP1589948	(Axle holder for Adaptations complete, Ø30) <i>Used for Antitipper or for Transit wheels</i>	2
4	SP1589949	(Axle holder for Adaptations complete, Ø40) <i>Used for Antitipper or for Transit wheels</i>	2
5	1560226	(Fixation kit to axle holder Ø30, pair)	1
6	1560227	(Fixation kit to axle holder Ø40, pair)	1



1	-	(Seat module)	1
2	-	(Seat cushion standard)	1

(Seat module)

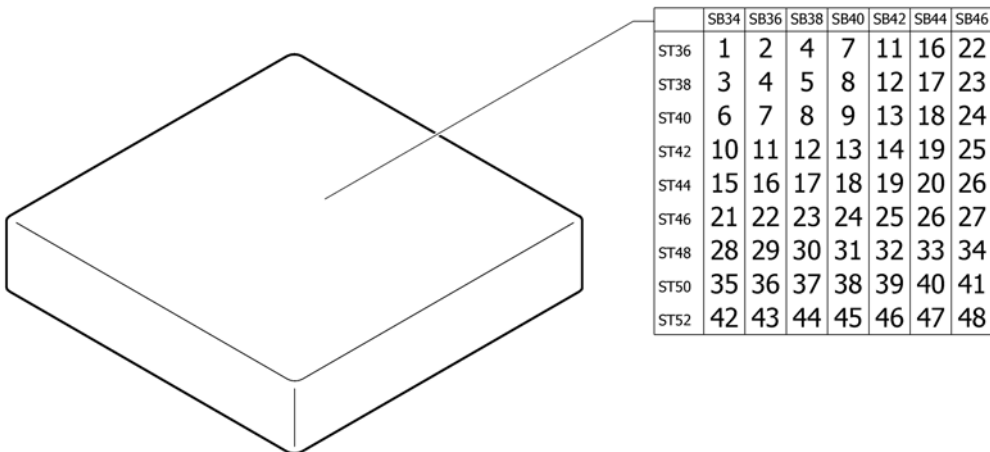


1	1560237	(Seat module SB34 ST36 with tension strap)	1
2	1560246	(Seat module SB36 ST36 with tension strap)	1
3	1560255	(Seat module SB38 ST36 with tension strap)	1
4	1560264	(Seat module SB40 ST36 with tension strap)	1
5	1560273	(Seat module SB42 ST36 with tension strap)	1
6	1560282	(Seat module SB44 ST36 with tension strap)	1
7	1560291	(Seat module SB46 ST36 with tension strap)	1
8	1560238	(Seat module SB34 ST38 with tension strap)	1
9	1560247	(Seat module SB36 ST38 with tension strap)	1
10	1560256	(Seat module SB38 ST38 with tension strap)	1
11	1560265	(Seat module SB40 ST38 with tension strap)	1
12	1560274	(Seat module SB42 ST38 with tension strap)	1
13	1560283	(Seat module SB44 ST38 with tension strap)	1
14	1560292	(Seat module SB46 ST38 with tension strap)	1
15	1560239	(Seat module SB34 ST40 with tension strap)	1
16	1560248	(Seat module SB36 ST40 with tension strap)	1
17	1560257	(Seat module SB38 ST40 with tension strap)	1
18	1560266	(Seat module SB40 ST40 with tension strap)	1
19	1560275	(Seat module SB42 ST40 with tension strap)	1
20	1560284	(Seat module SB44 ST40 with tension strap)	1
21	1560500	(Seat module SB46 ST40 with tension strap)	1
22	1560240	(Seat module SB34 ST42 with tension strap)	1
23	1560249	(Seat module SB36 ST42 with tension strap)	1
24	1560258	(Seat module SB38 ST42 with tension strap)	1
25	1560267	(Seat module SB40 ST42 with tension strap)	1
26	1560276	(Seat module SB42 ST42 with tension strap)	1
27	1560285	(Seat module SB44 ST42 with tension strap)	1
28	1560501	(Seat module SB46 ST42 with tension strap)	1
29	1560241	(Seat module SB34 ST44 with tension strap)	1
30	1560250	(Seat module SB36 ST44 with tension strap)	1
31	1560259	(Seat module SB38 ST44 with tension strap)	1

(Seat module)

32	1560268	(Seat module SB40 ST44 with tension strap)	1
33	1560277	(Seat module SB42 ST44 with tension strap)	1
34	1560286	(Seat module SB44 ST44 with tension strap)	1
35	1560502	Advance zitplaat 46x44 cpl	1
36	1560242	(Seat module SB34 ST46 with tension strap)	1
37	1560251	(Seat module SB36 ST46 with tension strap)	1
38	1560260	(Seat module SB38 ST46 with tension strap)	1
39	1560269	(Seat module SB40 ST46 with tension strap)	1
40	1560278	(Seat module SB42 ST46 with tension strap)	1
41	1560287	(Seat module SB44 ST46 with tension strap)	1
42	1560503	(Seat module SB46 ST46 with tension strap)	1
43	1560243	(Seat module SB34 ST48 with tension strap)	1
44	1560252	(Seat module SB36 ST48 with tension strap)	1
45	1560261	(Seat module SB38 ST48 with tension strap)	1
46	1560270	(Seat module SB40 ST48 with tension strap)	1
47	1560279	(Seat module SB42 ST48 with tension strap)	1
48	1560288	(Seat module SB44 ST48 with tension strap)	1
49	1560504	(Seat module SB46 ST48 with tension strap)	1
50	1560244	(Seat module SB34 ST50 with tension strap)	1
51	1560253	(Seat module SB36 ST50 with tension strap)	1
52	1560262	(Seat module SB38 ST50 with tension strap)	1
53	1560271	(Seat module SB40 ST50 with tension strap)	1
54	1560280	(Seat module SB42 ST50 with tension strap)	1
55	1560289	(Seat module SB44 ST50 with tension strap)	1
56	1560505	(Seat module SB46 ST50 with tension strap)	1
57	1560245	(Seat module SB34 ST52 with tension strap)	1
58	1560254	(Seat module SB36 ST52 with tension strap)	1
59	1560263	(Seat module SB38 ST52 with tension strap)	1
60	1560272	(Seat module SB40 ST52 with tension strap)	1
61	1560281	(Seat module SB42 ST52 with tension strap)	1
62	1560290	(Seat module SB44 ST52 with tension strap)	1
63	1560506	(Seat module SB46 ST52 with tension strap)	1
64	1560525	(Tension strap 740mm for seat module)	1
65	1560526	(Tension strap 840mm for seat module)	1
66	1560527	(Tension strap 940mm for seat module)	1
67	1560528	(Tension strap 1060mm for seat module)	1
68	1560529	(Backrest-Bolt Set, pair)	1
69	1554427	(Cord for backrest foldable)	1

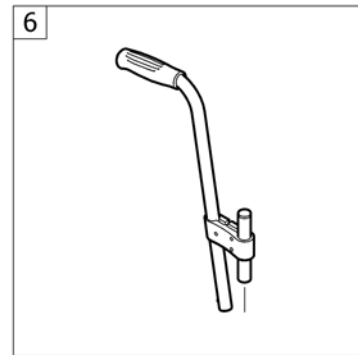
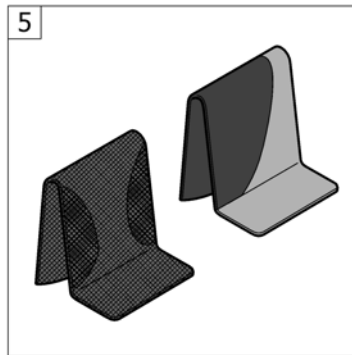
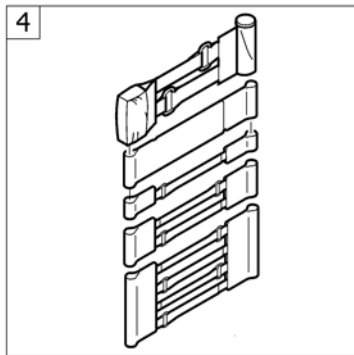
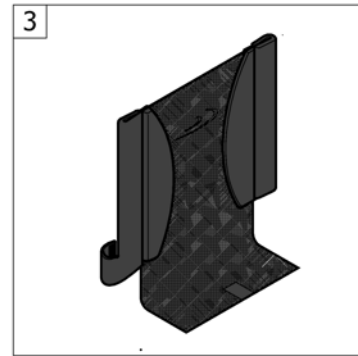
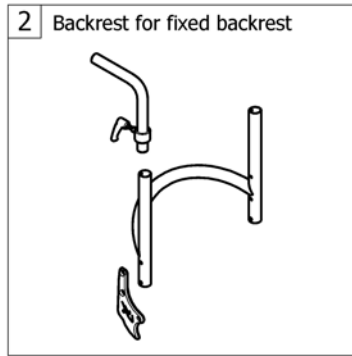
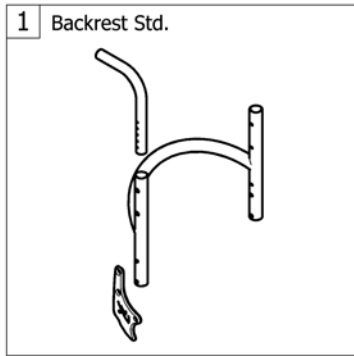
(Seat cushion standard)



1	1556326	(Seat cushion 340mm x 360mm)	1
2	1556335	(Seat cushion 360mm x 360mm)	1
3	1556327	Kusch zitkussen 34x38 ps	1
4	1556336	(Seat cushion 360mm x 380mm)	1
5	1556344	Kusch zitkussen 38x38 ps	1
6	1556328	(Seat cushion 340mm x 400mm)	1
7	1556337	(Seat cushion 360mm x 400mm)	1
8	1556345	(Seat cushion 380mm x 400mm)	1
9	1556352	(Seat cushion 400mm x 400mm)	1
10	1556329	(Seat cushion 340mm x 420mm)	1
11	1556338	(Seat cushion 360mm x 420mm)	1
12	1556346	(Seat cushion 380mm x 420mm)	1
13	1556353	Kusch zitkussen 40x42/ 42x40 zwart cpl	1
14	1556359	(Seat cushion 420mm x 420mm)	1
15	1556330	(Seat cushion 340mm x 440mm)	1
16	1556339	(Seat cushion 360mm x 440mm)	1
17	1556347	(Seat cushion 380mm x 440mm)	1
18	1556354	(Seat cushion 400mm x 440mm)	1
19	1556360	Kusch zitkussen 42x44/ 44x42 cpl ps	1
20	1556365	Kusch zitkussen 44x44 ps	1
21	1556331	(Seat cushion 340mm x 460mm)	1
22	1556340	(Seat cushion 360mm x 460mm)	1
23	1556348	Kusch zitkussen 38x46/ 46x38 zwart cpl	1
24	1556355	Kusch zitkussen 46x40	1
25	1556361	(Seat cushion 420mm x 460mm)	1
26	1556366	(Seat cushion 440mm x 460mm)	1
27	1556370	Kusch zitkussen 46x46 ps	1
28	1556332	(Seat cushion 340mm x 480mm)	1
29	1556341	(Seat cushion 360mm x 480mm)	1
30	1556349	(Seat cushion 380mm x 480mm)	1
31	1556356	(Seat cushion 400mm x 480mm)	1

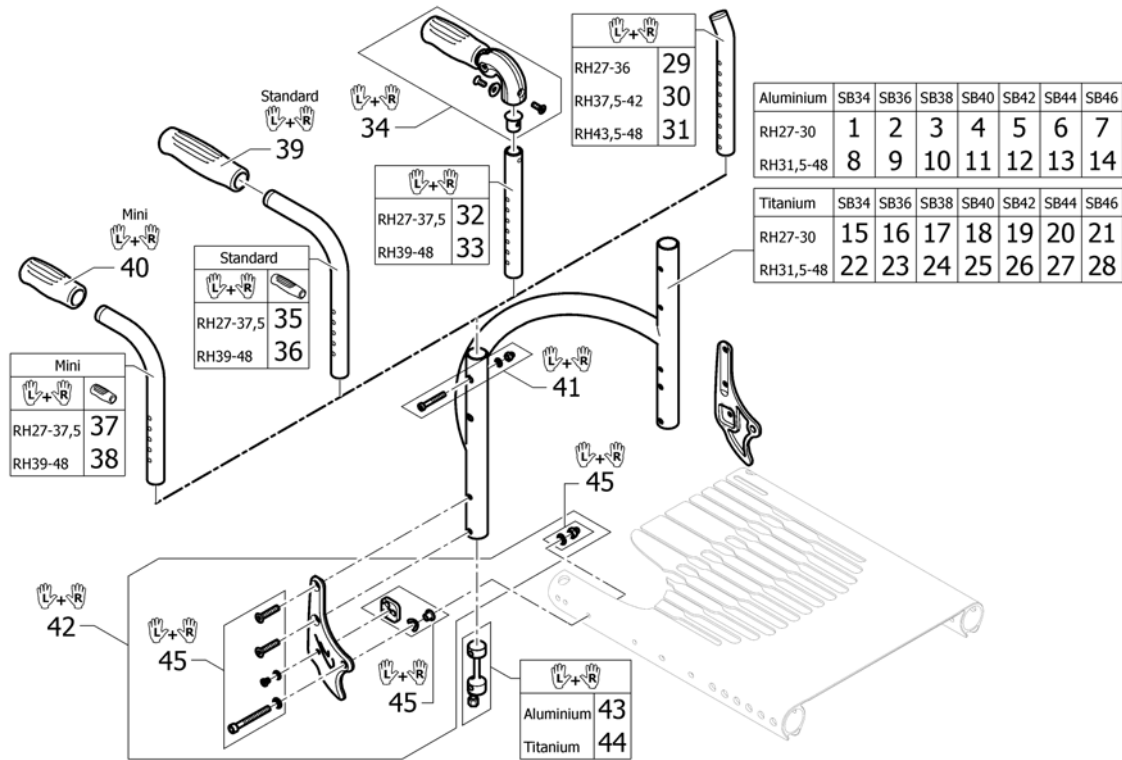
32	1556362	(Seat cushion 420mm x 480mm)	1
33	1556367	(Seat cushion 440mm x 480mm)	1
34	1556371	(Seat cushion 460mm x 480mm)	1
35	1556333	(Seat cushion 340mm x 500mm)	1
36	1556342	(Seat cushion 360mm x 500mm)	1
37	1556350	(Seat cushion 380mm x 500mm)	1
38	1556357	(Seat cushion 400mm x 500mm)	1
39	1556363	Kusch zitkussen 42x50 ps	1
40	1556368	(Seat cushion 440mm x 500mm)	1
41	1556372	(Seat cushion 460mm x 500mm)	1
42	1556334	(Seat cushion 340mm x 520mm)	1
43	1556343	(Seat cushion 360mm x 520mm)	1
44	1556351	(Seat cushion 380mm x 520mm)	1
45	1556358	(Seat cushion 400mm x 520mm)	1
46	1556364	(Seat cushion 420mm x 520mm)	1
47	1556369	(Seat cushion 440mm x 520mm)	1
48	1556373	(Seat cushion 460mm x 520mm)	1

(BACKREST)



1	-	(Backrest standard)	1
2	-	(Backrest for fixed backrest)	1
3	-	(Backrest cover light)	1
4	-	(Bands to adjustable backrest)	1
5	-	(Cover to adjustable backrest)	1
6	-	(Push handles, height adjustable, rear set)	1

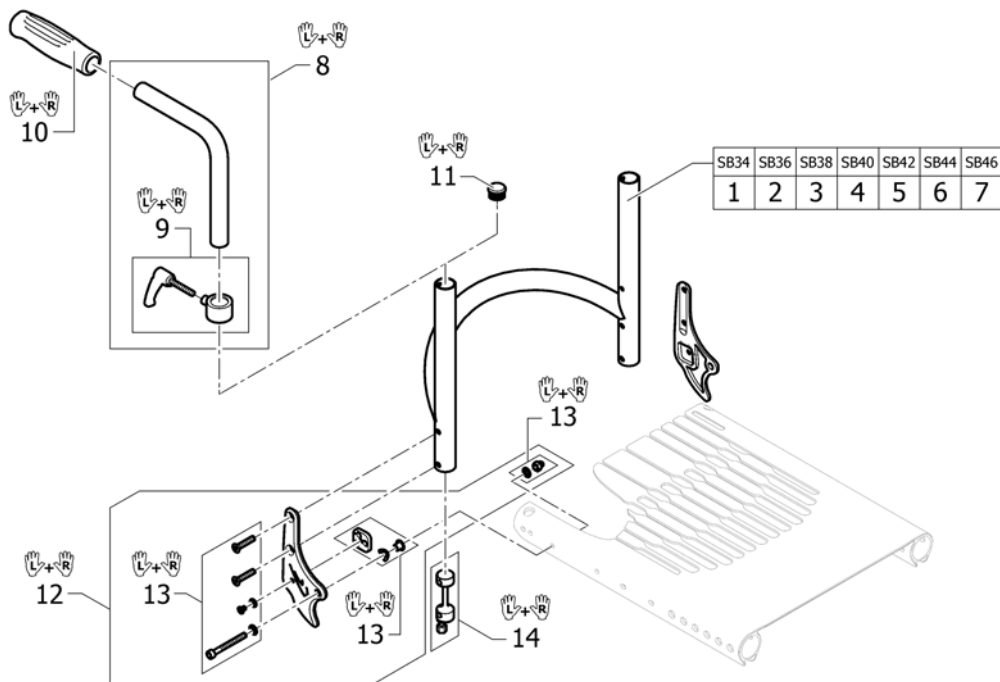
(Backrest standard)



1	1546694	(Backrest tube Alu SB34 short)	1
2	1546695	(Backrest tube Alu SB36 short)	1
3	1546696	K-Serie G3 rugframe alu ZB38 RH27-30 cpl ps	1
4	1546697	(Backrest tube Alu SB40 short)	1
5	1546698	(Backrest tube Alu SB42 short)	1
6	1546699	(Backrest tube Alu SB44 short)	1
7	1546700	(Backrest tube Alu SB46 short)	1
8	1546702	(Backrest tube Alu SB34 Long)	1
9	1546739	K-Serie G3 rugframe alu zb36 rh31,5-48 cpl ps	1
10	1546740	K-Serie G3 rugframe alu zb38 rh31,5-48 cpl ps	1
11	1546741	K-Serie G3 rugframe alu zb40 rh31, 5-48 cpl ps	1
12	1546806	(Backrest tube Alu SB42 Long)	1
13	1546807	K-Serie G3 rugframe alu zb44 rh31,5-48 cpl ps	1
14	1546808	K-Serie G3 rugframe alu zb46 rh31,5-48 cpl ps	1
15	1546810	(Backrest tube Titan SB34 short)	1
16	1546811	(Backrest tube Titan SB36 short)	1
17	1546812	(Backrest tube Titan SB38 short)	1
18	1546813	(Backrest tube Titan SB40 short)	1
19	1546814	(Backrest tube Titan SB42 short)	1
20	1546815	(Backrest tube Titan SB44 short)	1
21	1546816	(Backrest tube Titan SB46 short)	1
22	1546818	(Backrest tube Titan SB34 Long)	1
23	1546819	(Backrest tube Titan SB36 Long)	1
24	1546820	(Backrest tube Titan SB38 Long)	1
25	1546821	(Backrest tube Titan SB40 Long)	1
26	1546822	(Backrest tube Titan SB42 Long)	1
27	1546823	K-Serie G3 rugframe tit. zb44 rh31,5-48 cpl ps	1
28	1546824	Kusch rugfr.tit zb46 rh 31,5-48 K-Serie/Adv	1
29	1546913	K-Serie rugb.short pp rh28-36,5cm	1
30	1546914	K-Serie rugb.medium pp rh37,5-42cm K-Ser/Adv	1
31	1546946	K-Serie G3 rugb.telesc. lang rh43,5-48 pp	1

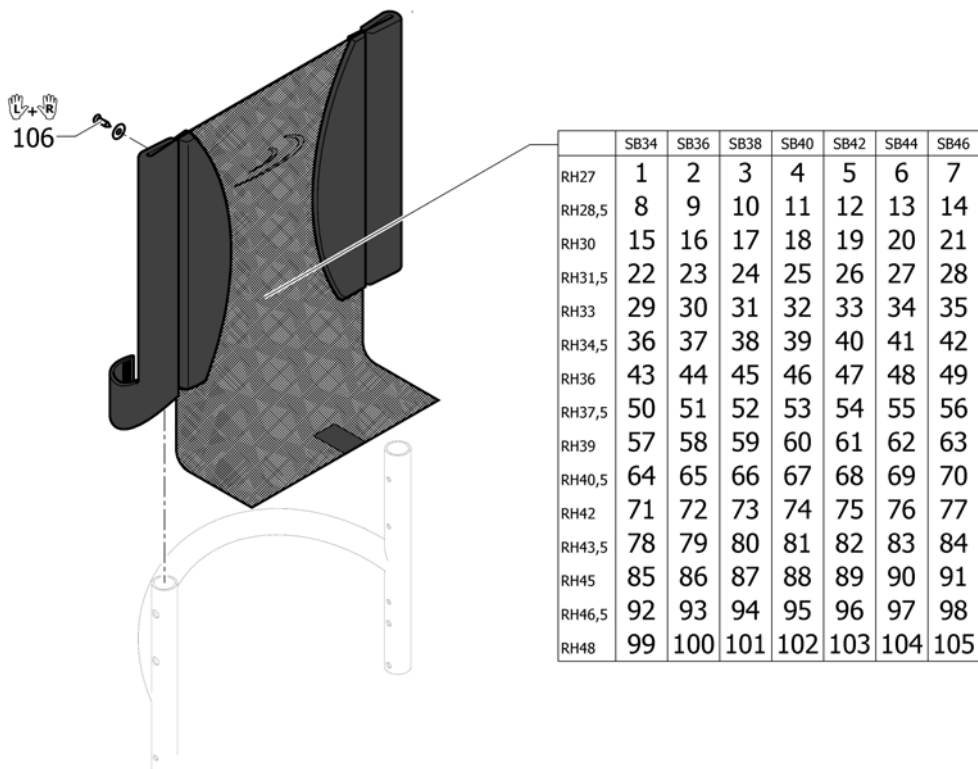
(Backrest standard)

32	1524956	(Telescopic tube short for pushhandle foldable, pair)		1
33	1525121	Kusch rugfr.verlenger med.tbv duwh.inklapb.pp		1
34	1507733	Kusch.duwh.neerklapb. pp		1
35	1525122	Kusch duwh.tbv.rugframe kort pp ex.rubbers		1
36	1525123	(Backrest tube standard, long, pair)		1
37	1525124	(Backrest tube mini, short, pair)		1
38	1525125	(Backrest tube mini, long, pair)		1
39	1507734	Kusch duwh.rubber zwart ps		1
40	1525126	Kusch duw handvat rubber mini pp		1
41	1546947	(Screw kit for backrest tube)		1
42	1560881-0001	(Backrest joint plate, pair, chrome)	01.01.2015 →	1
42	1560881-0004	(Backrest joint plate, pair, black)	01.01.2015 →	1
42	1560881-0013	(Backrest joint plate, pair, dark grey)	14.05.2012 → 31.12.2014	1
42	1560881-0182	(Backrest joint plate, pair, champagne)	01.01.2015 →	1
42	1560881-0400	(Backrest joint plate, pair, techno-anthrazit)	01.01.2015 →	1
42	1560881-0440	(Backrest joint plate, pair, comet red)	01.01.2015 →	1
42	1560881-0441	(Backrest joint plate, pair, arctic blue)	01.01.2015 →	1
43	1546948	K-Serie G3 rughoekverst. stift pp		1
44	1546949	(Sleeves for backrest tube Titan, pair complete)		1
45	1560913	(Fixation kit to backrest joint)		1



1	1560914	(Backrest SB34 for fixed backrest)		1
2	1561012	(Backrest SB36 for fixed backrest)		1
3	1561013	(Backrest SB38 for fixed backrest)		1
4	1561014	(Backrest SB40 for fixed backrest)		1
5	1561015	(Backrest SB42 for fixed backrest)		1
6	1561016	(Backrest SB44 for fixed backrest)		1
7	1561017	(Backrest SB46 for fixed backrest)		1
8	1438203	Kusch duwh.i.h.v.kort geint.pp.Compact/Ultra		1
9	1549985	Kusch duwh.h.i.vergrend eling tbv.Co/UI >2009 pp		1
10	1507734	Kusch duwh.rubber zwart ps		1
11	1561018	(Tube plug Ø24mm, pair)		1
12	1560881-0001	(Backrest joint plate, pair, chrome)	01.01.2015 →	1
12	1560881-0004	(Backrest joint plate, pair, black)	01.01.2015 →	1
12	1560881-0013	(Backrest joint plate, pair, dark grey)	14.05.2012 → 31.12.2014	1
12	1560881-0182	(Backrest joint plate, pair, champagne)	01.01.2015 →	1
12	1560881-0400	(Backrest joint plate, pair, techno-anthrazit)	01.01.2015 →	1
12	1560881-0440	(Backrest joint plate, pair, comet red)	01.01.2015 →	1
12	1560881-0441	(Backrest joint plate, pair, arctic blue)	01.01.2015 →	1
13	1560913	(Fixation kit to backrest joint)		1
14	1546948	K-Serie G3 rughoekverst. stift pp		1

(Backrest cover light)



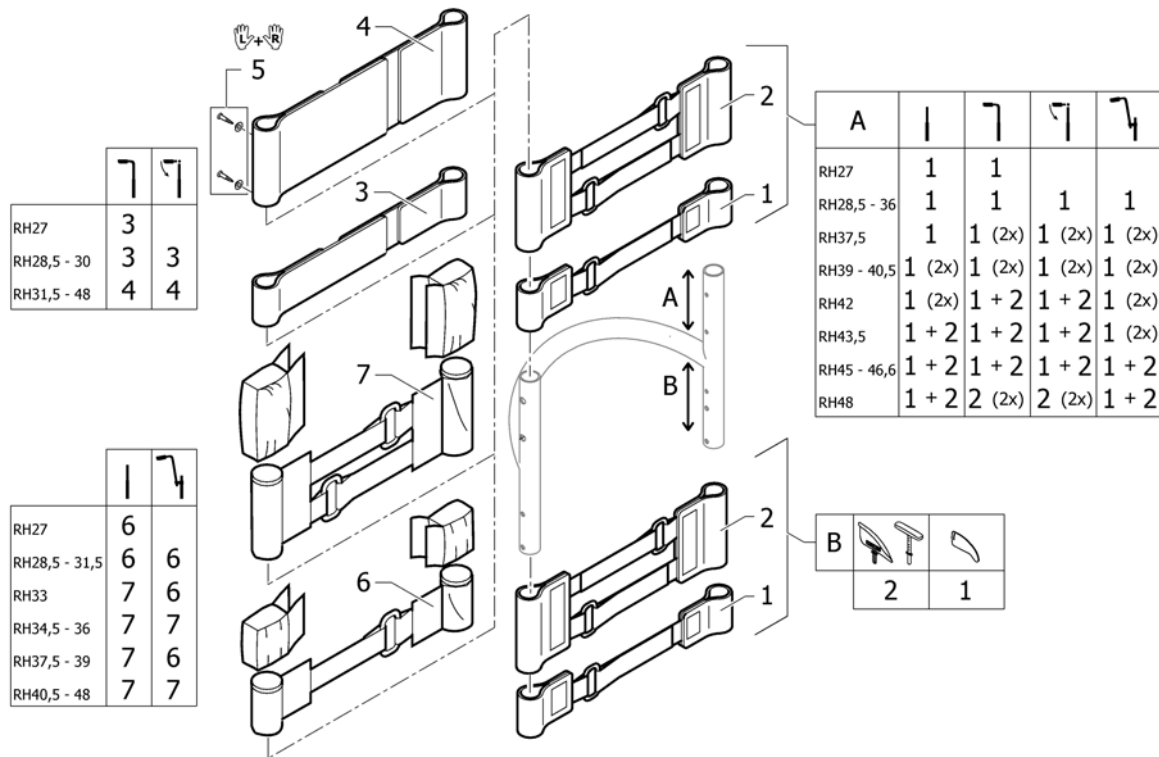
1	1546952	(Backrest cover light SB34 RH27)	1
2	1546992	(Backrest cover light SB36 RH27)	1
3	1547007	(Backrest cover light SB38 RH27)	1
4	1547033	(Backrest cover light SB40 RH27)	1
5	1547093	(Backrest cover light SB42 RH27)	1
6	1547108	(Backrest cover light SB44 RH27)	1
7	1547123	(Backrest cover light SB46 RH27)	1
8	1546953	(Backrest cover light SB34 RH28,5)	1
9	1546993	(Backrest cover light SB36 RH28,5)	1
10	1547008	(Backrest cover light SB38 RH28,5)	1
11	1547034	(Backrest cover light SB40 RH28,5)	1
12	1547094	(Backrest cover light SB42 RH28,5)	1
13	1547109	(Backrest cover light SB44 RH28,5)	1
14	1547124	(Backrest cover light SB46 RH28,5)	1
15	1546954	(Backrest cover light SB34 RH30)	1
16	1546994	(Backrest cover light SB36 RH30)	1
17	1547009	(Backrest cover light SB38 RH30)	1
18	1547035	(Backrest cover light SB40 RH30)	1
19	1547095	(Backrest cover light SB42 RH30)	1
20	1547110	(Backrest cover light SB44 RH30)	1
21	1547125	(Backrest cover light SB46 RH30)	1
22	1546955	(Backrest cover light SB34 RH31,5)	1
23	1546995	(Backrest cover light SB36 RH31,5)	1
24	1547010	K-Serie G3 rughoes light zb38 rh31,5 ps	1
25	1547036	(Backrest cover light SB40 RH31,5)	1
26	1547096	(Backrest cover light SB42 RH31,5)	1
27	1547111	(Backrest cover light SB44 RH31,5)	1
28	1547126	(Backrest cover light SB46 RH31,5)	1
29	1546956	(Backrest cover light SB34 RH33)	1
30	1546996	(Backrest cover light SB36 RH33)	1
31	1547011	(Backrest cover light SB38 RH33)	1

32	1547037	(Backrest cover light SB40 RH33)	1
33	1547097	(Backrest cover light SB42 RH33)	1
34	1547112	(Backrest cover light SB44 RH33)	1
35	1547127	(Backrest cover light SB46 RH33)	1
36	1546957	(Backrest cover light SB34 RH34,5)	1
37	1546997	(Backrest cover light SB36 RH34,5)	1
38	1547012	(Backrest cover light SB38 RH34,5)	1
39	1547048	(Backrest cover light SB40 RH34,5)	1
40	1547098	(Backrest cover light SB42 RH34,5)	1
41	1547113	(Backrest cover light SB44 RH34,5)	1
42	1547128	(Backrest cover light SB46 RH34,5)	1
43	1546958	(Backrest cover light SB34 RH36)	1
44	1546998	(Backrest cover light SB36 RH36)	1
45	1547013	(Backrest cover light SB38 RH36)	1
46	1547049	(Backrest cover light SB40 RH36)	1
47	1547099	(Backrest cover light SB42 RH36)	1
48	1547114	(Backrest cover light SB44 RH36)	1
49	1547129	(Backrest cover light SB46 RH36)	1
50	1546959	(Backrest cover light SB34 RH37,5)	1
51	1546999	(Backrest cover light SB36 RH37,5)	1
52	1547014	(Backrest cover light SB38 RH37,5)	1
53	1547050	(Backrest cover light SB40 RH37,5)	1
54	1547100	(Backrest cover light SB42 RH37,5)	1
55	1547115	(Backrest cover light SB44 RH37,5)	1
56	1547130	(Backrest cover light SB46 RH37,5)	1
57	1546960	(Backrest cover light SB34 RH39)	1
58	1547000	(Backrest cover light SB36 RH39)	1
59	1547015	(Backrest cover light SB38 RH39)	1
60	1547051	(Backrest cover light SB40 RH39)	1
61	1547101	(Backrest cover light SB42 RH39)	1
62	1547116	(Backrest cover light SB44 RH39)	1
63	1547131	(Backrest cover light SB46 RH39)	1
64	1546961	(Backrest cover light SB34 RH40,5)	1
65	1547001	(Backrest cover light SB36 RH40,5)	1
66	1547016	(Backrest cover light SB38 RH40,5)	1
67	1547052	K-Serie G3 rughoes light zb40- rh40,5 ps	1
68	1547102	(Backrest cover light SB42 RH40,5)	1
69	1547117	(Backrest cover light SB44 RH40,5)	1
70	1547132	(Backrest cover light SB46 RH40,5)	1
71	1546962	(Backrest cover light SB34 RH42)	1
72	1547002	(Backrest cover light SB36 RH42)	1
73	1547028	(Backrest cover light SB38 RH42)	1
74	1547053	(Backrest cover light SB40 RH42)	1
75	1547103	K-Serie G3 rughoes Light zb42 rh42	1
76	1547118	(Backrest cover light SB44 RH42)	1
77	1547133	(Backrest cover light SB46 RH42)	1
78	1546988	(Backrest cover light SB34 RH43,5)	1
79	1547003	(Backrest cover light SB36 RH43,5)	1
80	1547029	(Backrest cover light SB38 RH43,5)	1
81	1547054	(Backrest cover light SB40 RH43,5)	1
82	1547104	(Backrest cover light SB42 RH43,5)	1
83	1547119	(Backrest cover light SB44 RH43,5)	1
84	1547134	(Backrest cover light SB46 RH43,5)	1
85	1546989	(Backrest cover light SB34 RH45)	1
86	1547004	(Backrest cover light SB36 RH45)	1

(Backrest cover light)

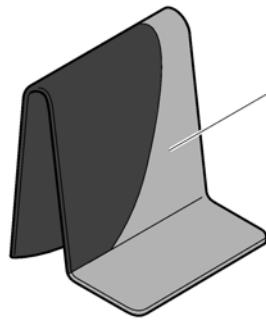
87	1547030	(Backrest cover light SB38 RH45)	1
88	1547055	(Backrest cover light SB40 RH45)	1
89	1547105	(Backrest cover light SB42 RH45)	1
90	1547120	(Backrest cover light SB44 RH45)	1
91	1547135	(Backrest cover light SB46 RH45)	1
92	1546990	(Backrest cover light SB34 RH46,5)	1
93	1547005	(Backrest cover light SB36 RH46,5)	1
94	1547031	(Backrest cover light SB38 RH46,5)	1
95	1547091	(Backrest cover light SB40 RH46,5)	1
96	1547106	(Backrest cover light SB42 RH46,5)	1
97	1547121	(Backrest cover light SB44 RH46,5)	1
98	1547136	(Backrest cover light SB46 RH46,5)	1
99	1546991	(Backrest cover light SB34 RH48)	1
100	1547006	(Backrest cover light SB36 RH48)	1
101	1547032	(Backrest cover light SB38 RH48)	1
102	1547092	(Backrest cover light SB40 RH48)	1
103	1547107	(Backrest cover light SB42 RH48)	1
104	1547122	(Backrest cover light SB44 RH48)	1
105	1547137	(Backrest cover light SB46 RH48)	1
106	1432083	Kusch set vijzen voor bev.nasp.band rug	1

(Bands to adjustable backrest)

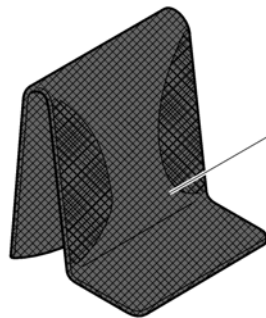


1	1513167	Kusch rugbekl.nasp.band 5cm hoog ps	1
2	1513168	Kusch rugbekl.nasp.deel 2 band	1
3	1513170	Kusch rug spanband 5cm 2-band ex.polsterdeel	1
4	1513171	Kusch rug spanband 10cm 2-band ex.polsterdeel	1
5	1432083	Kusch set vijzen voor bev.nasp.band rug	1
6	1513172	Kusch rugbekl.nasp.band 5cm hoog ps Comp/K-Serie	1
7	1513173	Kusch rugbekl.nasp.band 10cm hoog Comp/K-Serie	1

(Cover to adjustable backrest)



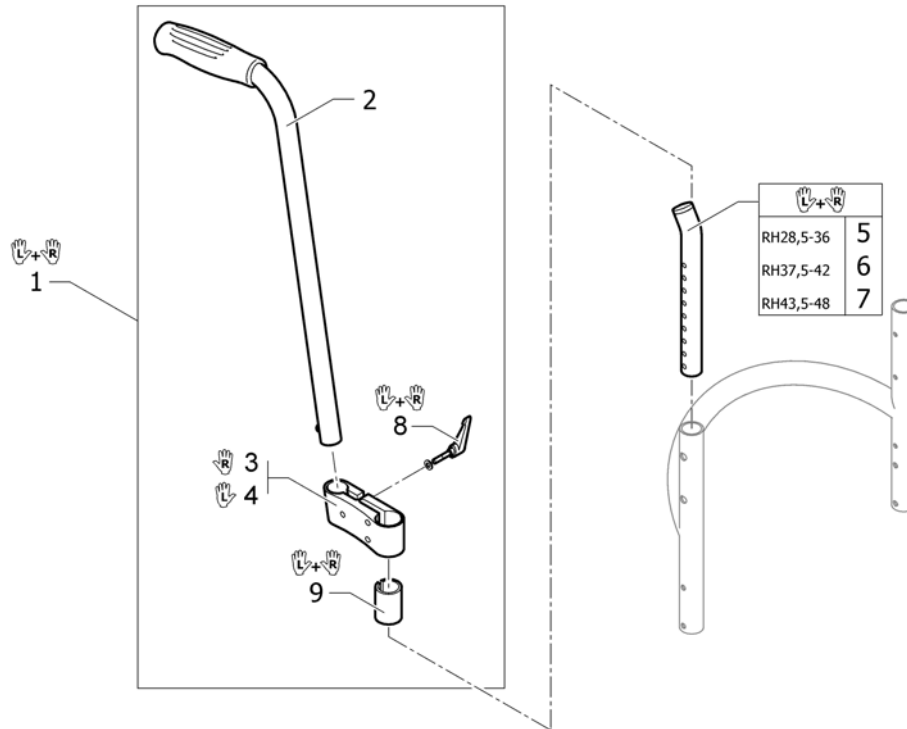
Std. (black / grey)	SB34	SB36-38	SB40-42	SB44-46
RH27-33	1	2	3	4
RH34,5-40,5	5	6	7	8
RH42-48	9	10	11	12



AeroBack	SB34	SB36-38	SB40-42	SB44-46
RH27-33	13	14	15	16
RH34,5-40,5	17	18	19	20
RH42-48	21	22	23	24

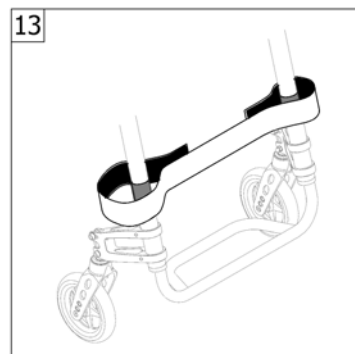
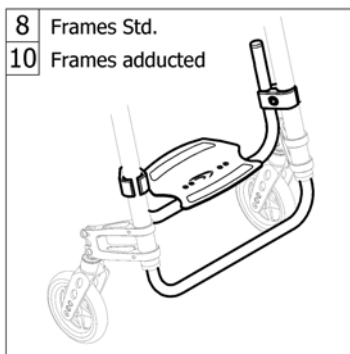
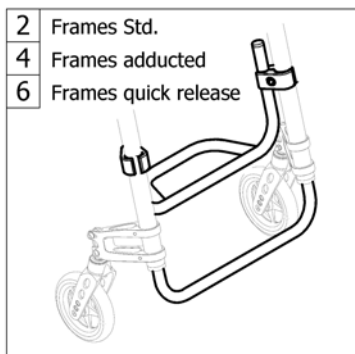
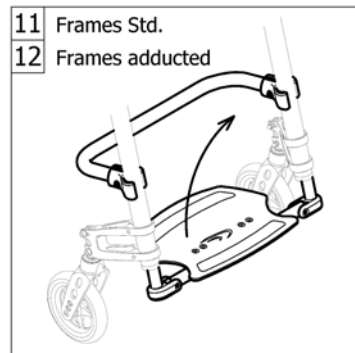
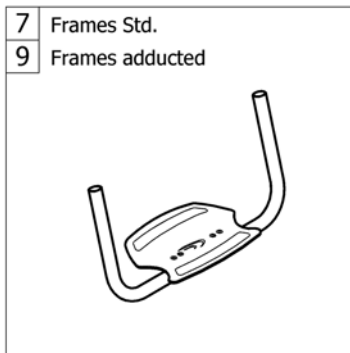
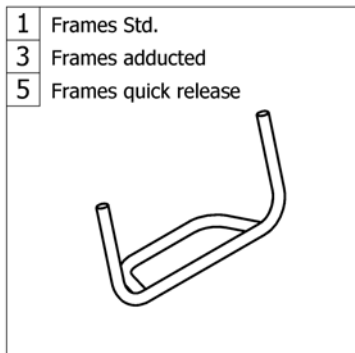
1	1547153	(Cover black and grey to adjustable backrest, SB32-34, short)	1
2	1547154	(Cover black and grey to adjustable backrest, SB36-38, short)	1
3	1547155	Kusch rugbekl.zb40 zwart grijs rh kort G3/Advance	1
4	1547156	(Cover black and grey to adjustable backrest, SB44-46, short)	1
5	1547158	(Cover black and grey to adjustable backrest, SB32-34, medium)	1
6	1547159	(Cover black and grey to adjustable backrest, SB36-38, medium)	1
7	1547160	K-serie G3 rugbekl.zb40- 42 rh34,5-40,5 zw/gr.ps	1
8	1547161	K-Serie G3 rugbekl.zb44 zwart/grijs middel G3	1
9	1547163	K-Serie G3 rugbekl.ZB32 34 zwart/grijs lang G3	1
10	1547164	(Cover black and grey to adjustable backrest, SB36-38, long)	1
11	1547165	K-Serie G3 rugbekl.zb42 zwart/grijs hoog	1
12	1547166	(Cover black and grey to adjustable backrest, SB44-46, long)	1
13	1512156	(Cover 'Aero' to adjustable backrest, SB32-34, short)	1
14	1512157	Kusch rughoes aero zb36- 38 kort Cha/K-serie/R33	1
15	1512158	Kusch rughoes aero zb40- 42 kort ps	1
16	1512159	(Cover 'Aero' to adjustable backrest, SB44-46, short)	1
17	1512161	Kusch rughoes aero zb34 rh27-33 ps	1
18	1512162	(Cover 'Aero' to adjustable backrest, SB36-38, medium)	1
19	1512163	Kusch rughoes aero zb40- 42 med.ps	1
20	1512164	Kusch rughoes aero zb44- 46 med.ps	1
21	1512166	(Cover 'Aero' to adjustable backrest, SB32-34, long)	1
22	1512167	(Cover 'Aero' to adjustable backrest, SB36-38, long)	1
23	1512168	Kusch rughoes aero zb40- 42 rh42-48 ps	1
24	1512169	Kusch rughoes aero zb44- 46 rh42-48 ps	1

(Push handles, height adjustable, rear set)



1	1517876	Kusch duwh.opb.pp nw.	1
2	1438938	Kusch duwh.opb.ex.bev.ps	2
3	1438939	Kusch duwh.opb.nw.bev. klem re ps	1
4	1438940	kusch duwh.opb.nw.bev. klem li ps	1
5	1546913	K-Serie rugb.short pp rh28-36,5cm	1
6	1546914	K-Serie rugb.medium pp rh37,5-42cm K-Ser/Adv	1
7	1546946	K-Serie G3 rugb.telesc. lang rh43,5-48 pp	1
8	1529799	Kusch duwh.opb.wartel pp	1
9	1581293	(Sleeves for mounting fixture, for rearset push handles, pair)	1

(FOOTREST)



1	-	(Footrest standard)		1
2	-	(Footrest standard highmounted)		1
3	-	(Footrest standard for adducted frame)		1
4	-	(Footrest standard highmounted for adducted frame)		1
5	-	(Footrest standard for quick release frame)	01.01.2013 →	1
6	-	(Footrest standard highmounted for quick release frame)	01.01.2013 →	1
7	-	(Footrest angle adjustable)		1
8	-	(Footrest angle adjustable highmounted)		1
9	-	(Footrest angle adjustable for adducted frame)		1
10	-	(Footrest angle adjustable highmounted for adducted frame)		1
11	-	(Footrest flip-to-side)		1
12	-	(Footrest flip-to-side for adducted frame)		1
13	-	(Calf strap)		1

(Footrest standard)

Frame standard		SB34	SB36	SB38	SB40	SB42	SB44	SB46
75°	Aluminium	1	2	3	4	5	6	7
	Titanium	8	9	10	11	12	13	14
90°	Aluminium	15	16	17	18	19	20	21
	Titanium	22	23	24	25	26	27	28

SB34	SB36	SB38	SB40	SB42	SB44	SB46
57	58	59	60	61	62	63

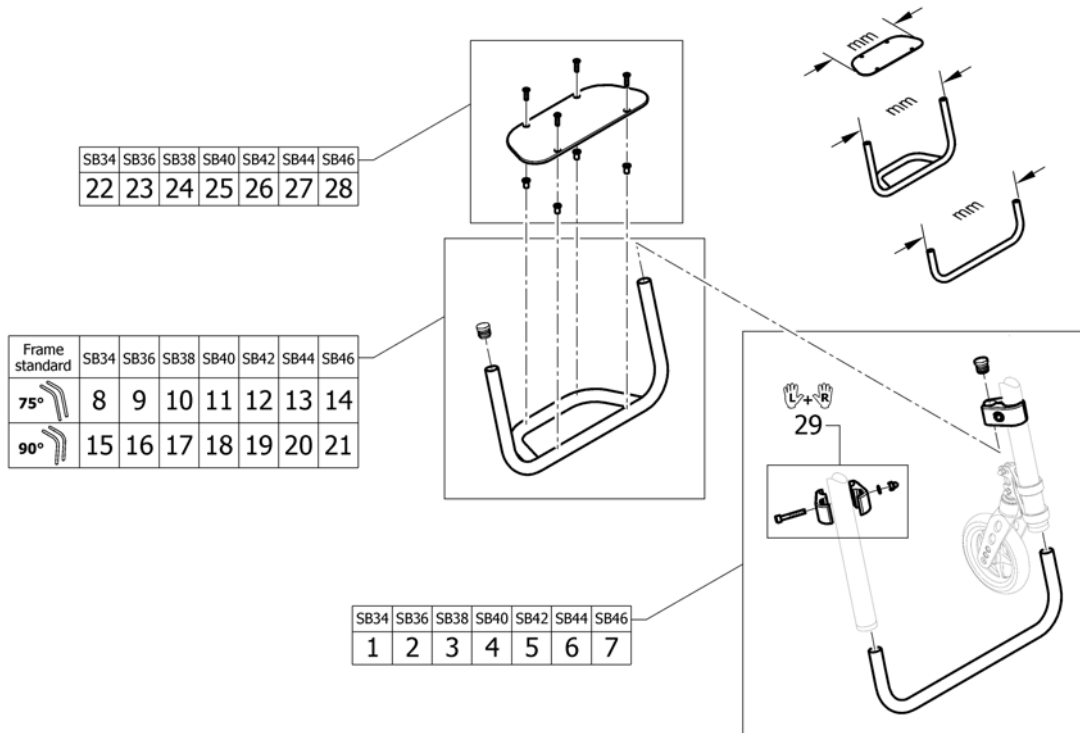
Frame standard		SB34	SB36	SB38	SB40	SB42	SB44	SB46
75°	Aluminium	29	30	31	32	33	34	35
	Titanium	36	37	38	39	40	41	42
90°	Aluminium	43	44	45	46	47	48	49
	Titanium	50	51	52	53	54	55	56

1	1561090	(Footrest Aluminium 315mm with plate for frame 75°)	1
2	1561091	(Footrest Aluminium 335mm with plate for frame 75°)	1
3	1561092	(Footrest Aluminium 355mm with plate for frame 75°)	1
4	1561093	(Footrest Aluminium 375mm with plate for frame 75°)	1
5	1561094	(Footrest Aluminium 395mm with plate for frame 75°)	1
6	1561095	(Footrest Aluminium 415mm with plate for frame 75°)	1
7	1561096	(Footrest Aluminium 435mm with plate for frame 75°)	1
8	1561110	(Footrest Titanium 315mm with plate for frame 75°)	1
9	1561111	(Footrest Titanium 335mm with plate for frame 75°)	1
10	1561112	(Footrest Titanium 355mm with plate for frame 75°)	1
11	1561113	(Footrest Titanium 375mm with plate for frame 75°)	1
12	1561114	(Footrest Titanium 395mm with plate for frame 75°)	1
13	1561115	(Footrest Titanium 415mm with plate for frame 75°)	1
14	1561116	(Footrest Titanium 435mm with plate for frame 75°)	1
15	1561100	(Footrest Aluminium 315mm with plate for frame 90°)	1
16	1561101	(Footrest Aluminium 335mm with plate for frame 90°)	1
17	1561102	(Footrest Aluminium 355mm with plate for frame 90°)	1
18	1561103	(Footrest Aluminium 375mm with plate for frame 90°)	1
19	1561104	(Footrest Aluminium 395mm with plate for frame 90°)	1
20	1561105	(Footrest Aluminium 415mm with plate for frame 90°)	1
21	1561106	(Footrest Aluminium 435mm with plate for frame 90°)	1
22	1561120	(Footrest Titanium 315mm with plate for frame 90°)	1
23	1561121	(Footrest Titanium 335mm with plate for frame 90°)	1
24	1561122	(Footrest Titanium 355mm with plate for frame 90°)	1
25	1561123	(Footrest Titanium 375mm with plate for frame 90°)	1
26	1561124	(Footrest Titanium 395mm with plate for frame 90°)	1
27	1561125	(Footrest Titanium 415mm with plate for frame 90°)	1
28	1561126	(Footrest Titanium 435mm with plate for frame 90°)	1
29	1561031	(Footrest Aluminium 315mm for frame 75°)	1
30	1561032	(Footrest Aluminium 335mm for frame 75°)	1
31	1561033	(Footrest Aluminium 355mm for frame 75°)	1

(Footrest standard)

32	1561046	(Footrest Aluminium 375mm for frame 75°)	1
33	1561047	(Footrest Aluminium 395mm for frame 75°)	1
34	1561048	(Footrest Aluminium 415mm for frame 75°)	1
35	1561049	(Footrest Aluminium 435mm for frame 75°)	1
36	1561063	(Footrest Titanium 315mm for frame 75°)	1
37	1561064	(Footrest Titanium 335mm for frame 75°)	1
38	1561065	(Footrest Titanium 355mm for frame 75°)	1
39	1561066	(Footrest Titanium 375mm for frame 75°)	1
40	1561067	(Footrest Titanium 395mm for frame 75°)	1
41	1561068	(Footrest Titanium 415mm for frame 75°)	1
42	1561069	(Footrest Titanium 435mm for frame 75°)	1
43	1561053	(Footrest Aluminium 315mm for frame 90°)	1
44	1561054	(Footrest Aluminium 335mm for frame 90°)	1
45	1561055	(Footrest Aluminium 355mm for frame 90°)	1
46	1561056	(Footrest Aluminium 375mm for frame 90°)	1
47	1561057	(Footrest Aluminium 395mm for frame 90°)	1
48	1561058	(Footrest Aluminium 415mm for frame 90°)	1
49	1561059	(Footrest Aluminium 435mm for frame 90°)	1
50	1561073	(Footrest Titanium 315mm for frame 90°)	1
51	1561074	(Footrest Titanium 335mm for frame 90°)	1
52	1561075	(Footrest Titanium 355mm for frame 90°)	1
53	1561076	(Footrest Titanium 375mm for frame 90°)	1
54	1561077	(Footrest Titanium 395mm for frame 90°)	1
55	1561078	(Footrest Titanium 415mm for frame 90°)	1
56	1561086	(Footrest Titanium 435mm for frame 90°)	1
57	1561130	(Footplate 203mm)	1
58	1561131	(Footplate 223mm)	1
59	1561132	(Footplate 243mm)	1
60	1561133	(Footplate 263mm)	1
61	1561134	(Footplate 283mm)	1
62	1561135	(Footplate 303mm)	1
63	1561136	(Footplate 323mm)	1

(Footrest standard highmounted)



1	1561215	(Tube set for footrest, mounted in high position, 315mm)	1
2	1561216	(Tube set for footrest, mounted in high position, 335mm)	1
3	1561217	(Tube set for footrest, mounted in high position, 355mm)	1
4	1561218	(Tube set for footrest, mounted in high position, 375mm)	1
5	1561219	(Tube set for footrest, mounted in high position, 395mm)	1
6	1561220	(Tube set for footrest, mounted in high position, 415mm)	1
7	1561221	(Tube set for footrest, mounted in high position, 435mm)	1
8	1561224	(Footrest Aluminium 295mm for frame 75° for footrest mounted in high position)	1
9	1561225	(Footrest Aluminium 315mm for frame 75° for footrest mounted in high position)	1
10	1561292	(Footrest Aluminium 335mm for frame 75° for footrest mounted in high position)	1
11	1561293	(Footrest Aluminium 355mm for frame 75° for footrest mounted in high position)	1
12	1561294	(Footrest Aluminium 375mm for frame 75° for footrest mounted in high position)	1
13	1561295	(Footrest Aluminium 395mm for frame 75° for footrest mounted in high position)	1
14	1561296	(Footrest Aluminium 415mm for frame 75° for footrest mounted in high position)	1
15	1561300	(Footrest Aluminium 295mm for frame 90° for footrest mounted in high position)	1
16	1561301	(Footrest Aluminium 315mm for frame 90° for footrest mounted in high position)	1
17	1561302	(Footrest Aluminium 335mm for frame 90° for footrest mounted in high position)	1
18	1561303	(Footrest Aluminium 355mm for frame 90° for footrest mounted in high position)	1
19	1561304	(Footrest Aluminium 375mm for frame 90° for footrest mounted in high position)	1
20	1561305	(Footrest Aluminium 395mm for frame 90° for footrest mounted in high position)	1
21	1561306	(Footrest Aluminium 415mm for frame 90° for footrest mounted in high position)	1

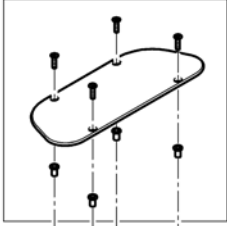
(Footrest standard highmounted)

22	1561129	(Footplate 183mm)	1
23	1561130	(Footplate 203mm)	1
24	1561131	(Footplate 223mm)	1
25	1561132	(Footplate 243mm)	1
26	1561133	(Footplate 263mm)	1
27	1561134	(Footplate 283mm)	1
28	1561135	(Footplate 303mm)	1
29	1544613	(Clamping kit for footrest high mounted, pair)	1

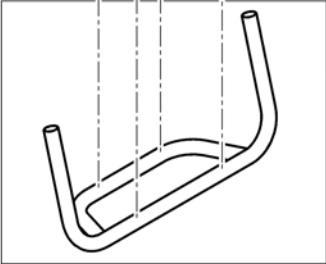
(Footrest standard for adducted frame)



Frame adducted		SB34	SB36	SB38	SB40	SB42	SB44	SB46
75°	Aluminium	-	1	2	3	4	5	6
	Titanium	-	7	8	9	10	11	12
90°	Aluminium	-	13	14	15	16	17	18
	Titanium	-	19	20	21	22	23	24



SB34	SB36	SB38	SB40	SB42	SB44	SB46
-	49	50	51	52	53	54



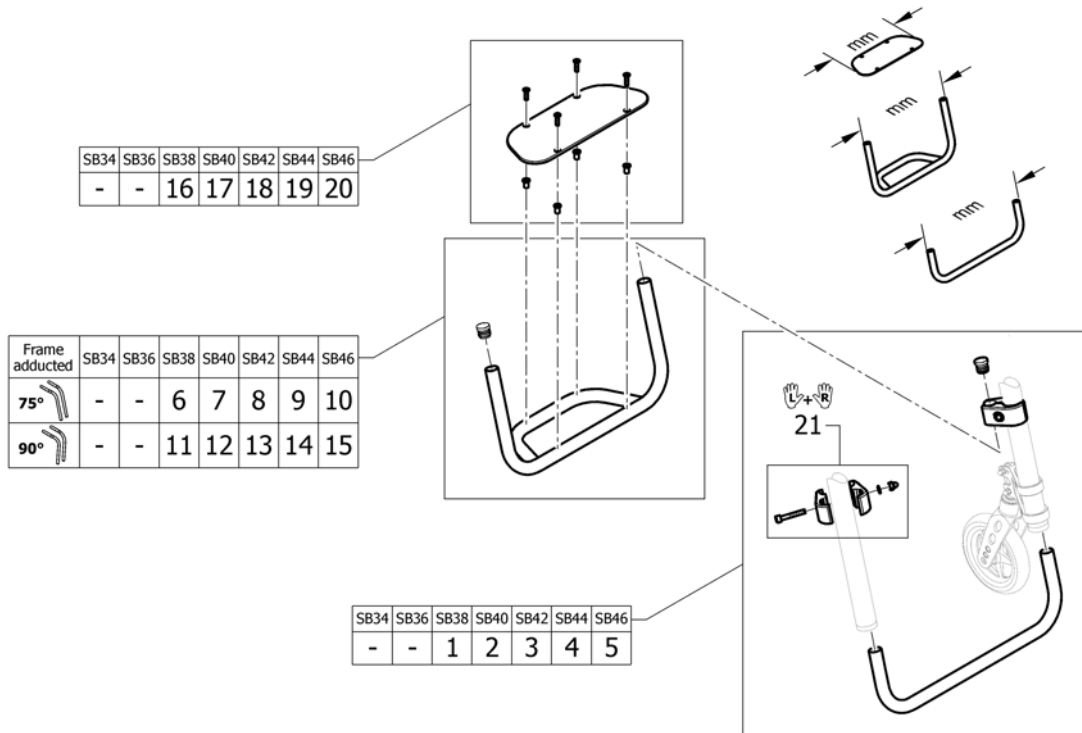
Frame adducted		SB34	SB36	SB38	SB40	SB42	SB44	SB46
75°	Aluminium	-	25	26	27	28	29	30
	Titanium	-	31	32	33	34	35	36
90°	Aluminium	-	37	38	39	40	41	42
	Titanium	-	43	44	45	46	47	48

1	1561089	(Footrest Aluminium 295mm with plate for frame 75°)	1
2	1561090	(Footrest Aluminium 315mm with plate for frame 75°)	1
3	1561091	(Footrest Aluminium 335mm with plate for frame 75°)	1
4	1561092	(Footrest Aluminium 355mm with plate for frame 75°)	1
5	1561093	(Footrest Aluminium 375mm with plate for frame 75°)	1
6	1561094	(Footrest Aluminium 395mm with plate for frame 75°)	1
7	1561109	(Footrest Titanium 295mm with plate for frame 75°)	1
8	1561110	(Footrest Titanium 315mm with plate for frame 75°)	1
9	1561111	(Footrest Titanium 335mm with plate for frame 75°)	1
10	1561112	(Footrest Titanium 355mm with plate for frame 75°)	1
11	1561113	(Footrest Titanium 375mm with plate for frame 75°)	1
12	1561114	(Footrest Titanium 395mm with plate for frame 75°)	1
13	1561099	(Footrest Aluminium 295mm with plate for frame 90°)	1
14	1561100	(Footrest Aluminium 315mm with plate for frame 90°)	1
15	1561101	(Footrest Aluminium 335mm with plate for frame 90°)	1
16	1561102	(Footrest Aluminium 355mm with plate for frame 90°)	1
17	1561103	(Footrest Aluminium 375mm with plate for frame 90°)	1
18	1561104	(Footrest Aluminium 395mm with plate for frame 90°)	1
19	1561119	(Footrest Titanium 295mm with plate for frame 90°)	1
20	1561120	(Footrest Titanium 315mm with plate for frame 90°)	1
21	1561121	(Footrest Titanium 335mm with plate for frame 90°)	1
22	1561122	(Footrest Titanium 355mm with plate for frame 90°)	1
23	1561123	(Footrest Titanium 375mm with plate for frame 90°)	1
24	1561124	(Footrest Titanium 395mm with plate for frame 90°)	1
25	1561030	(Footrest Aluminium 295mm for frame 75°)	1
26	1561031	(Footrest Aluminium 315mm for frame 75°)	1
27	1561032	(Footrest Aluminium 335mm for frame 75°)	1
28	1561033	(Footrest Aluminium 355mm for frame 75°)	1
29	1561046	(Footrest Aluminium 375mm for frame 75°)	1
30	1561047	(Footrest Aluminium 395mm for frame 75°)	1
31	1561062	(Footrest Titanium 295mm for frame 75°)	1

(Footrest standard for adducted frame)

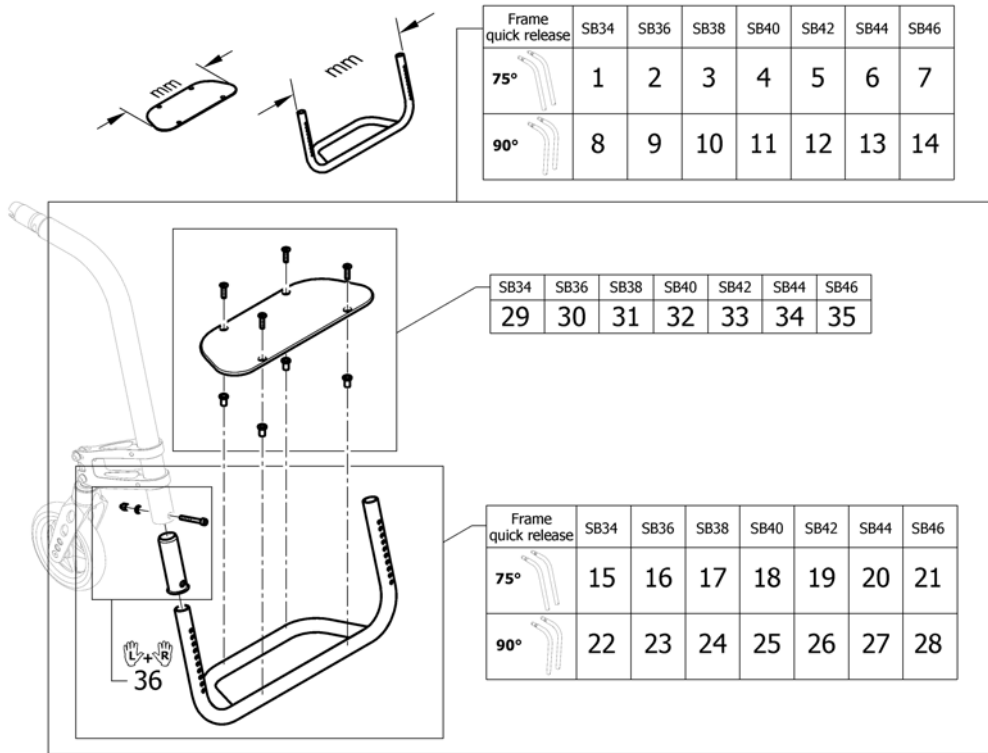
32	1561063	(Footrest Titanium 315mm for frame 75°)	1
33	1561064	(Footrest Titanium 335mm for frame 75°)	1
34	1561065	(Footrest Titanium 355mm for frame 75°)	1
35	1561066	(Footrest Titanium 375mm for frame 75°)	1
36	1561067	(Footrest Titanium 395mm for frame 75°)	1
37	1561052	(Footrest Aluminium 295mm for frame 90°)	1
38	1561053	(Footrest Aluminium 315mm for frame 90°)	1
39	1561054	(Footrest Aluminium 335mm for frame 90°)	1
40	1561055	(Footrest Aluminium 355mm for frame 90°)	1
41	1561056	(Footrest Aluminium 375mm for frame 90°)	1
42	1561057	(Footrest Aluminium 395mm for frame 90°)	1
43	1561072	(Footrest Titanium 295mm for frame 90°)	1
44	1561073	(Footrest Titanium 315mm for frame 90°)	1
45	1561074	(Footrest Titanium 335mm for frame 90°)	1
46	1561075	(Footrest Titanium 355mm for frame 90°)	1
47	1561076	(Footrest Titanium 375mm for frame 90°)	1
48	1561077	(Footrest Titanium 395mm for frame 90°)	1
49	1561129	(Footplate 183mm)	1
50	1561130	(Footplate 203mm)	1
51	1561131	(Footplate 223mm)	1
52	1561132	(Footplate 243mm)	1
53	1561133	(Footplate 263mm)	1
54	1561134	(Footplate 283mm)	1

(Footrest standard highmounted for adducted frame)



1	1561215	(Tube set for footrest, mounted in high position, 315mm)	1
2	1561216	(Tube set for footrest, mounted in high position, 335mm)	1
3	1561217	(Tube set for footrest, mounted in high position, 355mm)	1
4	1561218	(Tube set for footrest, mounted in high position, 375mm)	1
5	1561219	(Tube set for footrest, mounted in high position, 395mm)	1
6	1561224	(Footrest Aluminium 295mm for frame 75° for footrest mounted in high position)	1
7	1561225	(Footrest Aluminium 315mm for frame 75° for footrest mounted in high position)	1
8	1561292	(Footrest Aluminium 335mm for frame 75° for footrest mounted in high position)	1
9	1561293	(Footrest Aluminium 355mm for frame 75° for footrest mounted in high position)	1
10	1561294	(Footrest Aluminium 375mm for frame 75° for footrest mounted in high position)	1
11	1561300	(Footrest Aluminium 295mm for frame 90° for footrest mounted in high position)	1
12	1561301	(Footrest Aluminium 315mm for frame 90° for footrest mounted in high position)	1
13	1561302	(Footrest Aluminium 335mm for frame 90° for footrest mounted in high position)	1
14	1561303	(Footrest Aluminium 355mm for frame 90° for footrest mounted in high position)	1
15	1561304	(Footrest Aluminium 375mm for frame 90° for footrest mounted in high position)	1
16	1561129	(Footplate 183mm)	1
17	1561130	(Footplate 203mm)	1
18	1561131	(Footplate 223mm)	1
19	1561132	(Footplate 243mm)	1
20	1561133	(Footplate 263mm)	1
21	1544613	(Clamping kit for footrest high mounted, pair)	1

(Footrest standard for quick release frame)

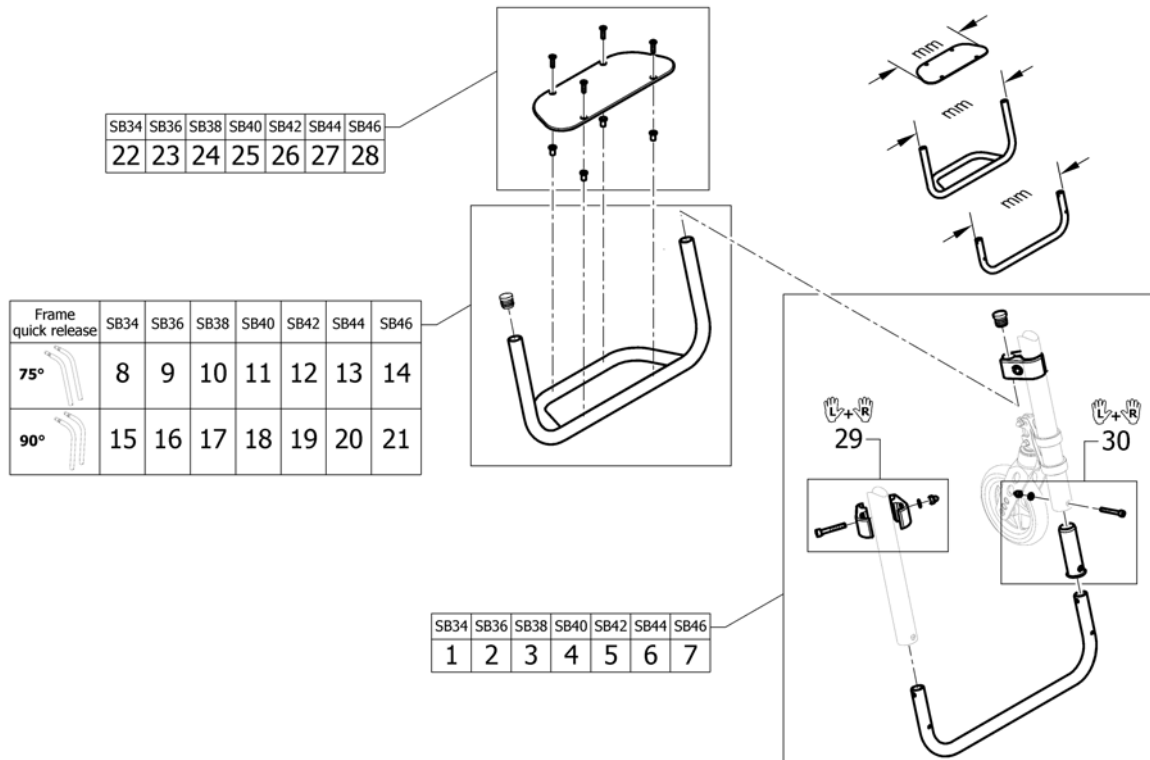


1	1567324	(Footrest Aluminium 316mm with plate for quick release frame 75°)	1
2	1567325	(Footrest Aluminium 336mm with plate for quick release frame 75°)	1
3	1567326	(Footrest Aluminium 356mm with plate for quick release frame 75°)	1
4	1567327	(Footrest Aluminium 376mm with plate for quick release frame 75°)	1
5	1567328	(Footrest Aluminium 396mm with plate for quick release frame 75°)	1
6	1567329	(Footrest Aluminium 416mm with plate for quick release frame 75°)	1
7	1567330	(Footrest Aluminium 436mm with plate for quick release frame 75°)	1
8	1567332	(Footrest Aluminium 316mm with plate for quick release frame 90°)	1
9	1567333	(Footrest Aluminium 336mm with plate for quick release frame 90°)	1
10	1567334	(Footrest Aluminium 356mm with plate for quick release frame 90°)	1
11	1567335	(Footrest Aluminium 376mm with plate for quick release frame 90°)	1
12	1567336	(Footrest Aluminium 396mm with plate for quick release frame 90°)	1
13	1567399	(Footrest Aluminium 416mm with plate for quick release frame 90°)	1
14	1567400	(Footrest Aluminium 436mm with plate for quick release frame 90°)	1
15	1567402	(Footrest Aluminium 316mm for quick release frame 75°)	1
16	1567403	(Footrest Aluminium 336mm for quick release frame 75°)	1
17	1567404	(Footrest Aluminium 356mm for quick release frame 75°)	1
18	1567405	(Footrest Aluminium 376mm for quick release frame 75°)	1
19	1567406	(Footrest Aluminium 396mm for quick release frame 75°)	1
20	1567407	(Footrest Aluminium 416mm for quick release frame 75°)	1
21	1567521	(Footrest Aluminium 436mm for quick release frame 75°)	1
22	1567523	(Footrest Aluminium 316mm for quick release frame 90°)	1
23	1567524	(Footrest Aluminium 336mm for quick release frame 90°)	1
24	1567525	(Footrest Aluminium 356mm for quick release frame 90°)	1
25	1567690	(Footrest Aluminium 376mm for quick release frame 90°)	1
26	1567691	(Footrest Aluminium 396mm for quick release frame 90°)	1
27	1567692	(Footrest Aluminium 416mm for quick release frame 90°)	1
28	1567693	(Footrest Aluminium 436mm for quick release frame 90°)	1
29	1561130	(Footplate 203mm)	1
30	1561131	(Footplate 223mm)	1
31	1561132	(Footplate 243mm)	1

(Footrest standard for quick release frame)

32	1561133	(Footplate 263mm)	1
33	1561134	(Footplate 283mm)	1
34	1561135	(Footplate 303mm)	1
35	1561136	(Footplate 323mm)	1
36	1567694	(Footrest sleeve, pair)	1

(Footrest standard highmounted for quick release frame)

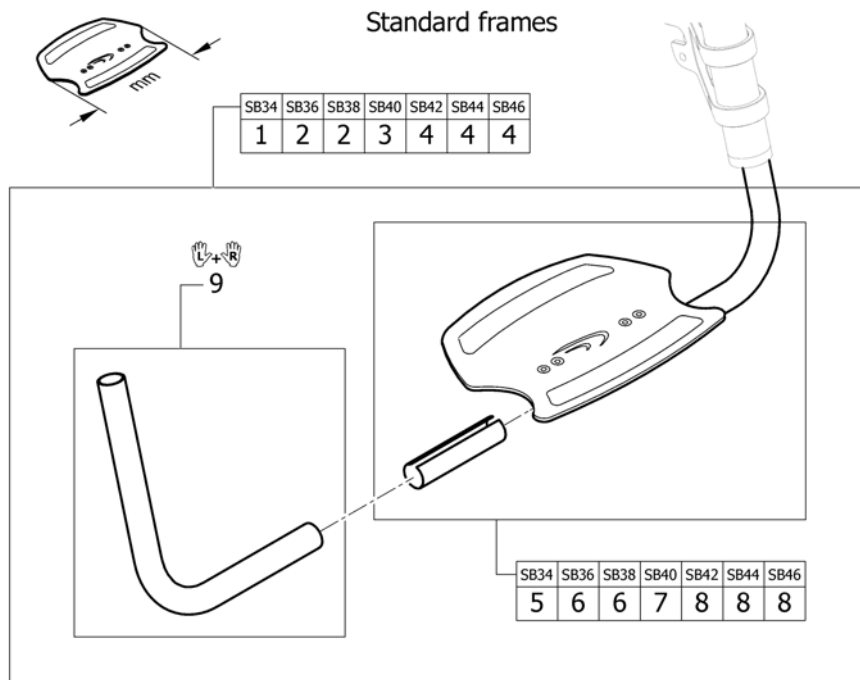


1	1567695	(Tube set 316mm for footrest, mounted in high position on quick release frame)	1
2	1567696	(Tube set 336mm for footrest, mounted in high position on quick release frame)	1
3	1567697	(Tube set 356mm for footrest, mounted in high position on quick release frame)	1
4	1567708	(Tube set 376mm for footrest, mounted in high position on quick release frame)	1
5	1567709	(Tube set 396mm for footrest, mounted in high position on quick release frame)	1
6	1567710	(Tube set 416mm for footrest, mounted in high position on quick release frame)	1
7	1567711	(Tube set 436mm for footrest, mounted in high position on quick release frame)	1
8	1561224	(Footrest Aluminium 295mm for frame 75° for footrest mounted in high position)	1
9	1561225	(Footrest Aluminium 315mm for frame 75° for footrest mounted in high position)	1
10	1561292	(Footrest Aluminium 335mm for frame 75° for footrest mounted in high position)	1
11	1561293	(Footrest Aluminium 355mm for frame 75° for footrest mounted in high position)	1
12	1561294	(Footrest Aluminium 375mm for frame 75° for footrest mounted in high position)	1
13	1561295	(Footrest Aluminium 395mm for frame 75° for footrest mounted in high position)	1
14	1561296	(Footrest Aluminium 415mm for frame 75° for footrest mounted in high position)	1
15	1561300	(Footrest Aluminium 295mm for frame 90° for footrest mounted in high position)	1
16	1561301	(Footrest Aluminium 315mm for frame 90° for footrest mounted in high position)	1
17	1561302	(Footrest Aluminium 335mm for frame 90° for footrest mounted in high position)	1
18	1561303	(Footrest Aluminium 355mm for frame 90° for footrest mounted in high position)	1

(Footrest standard highmounted for quick release frame)

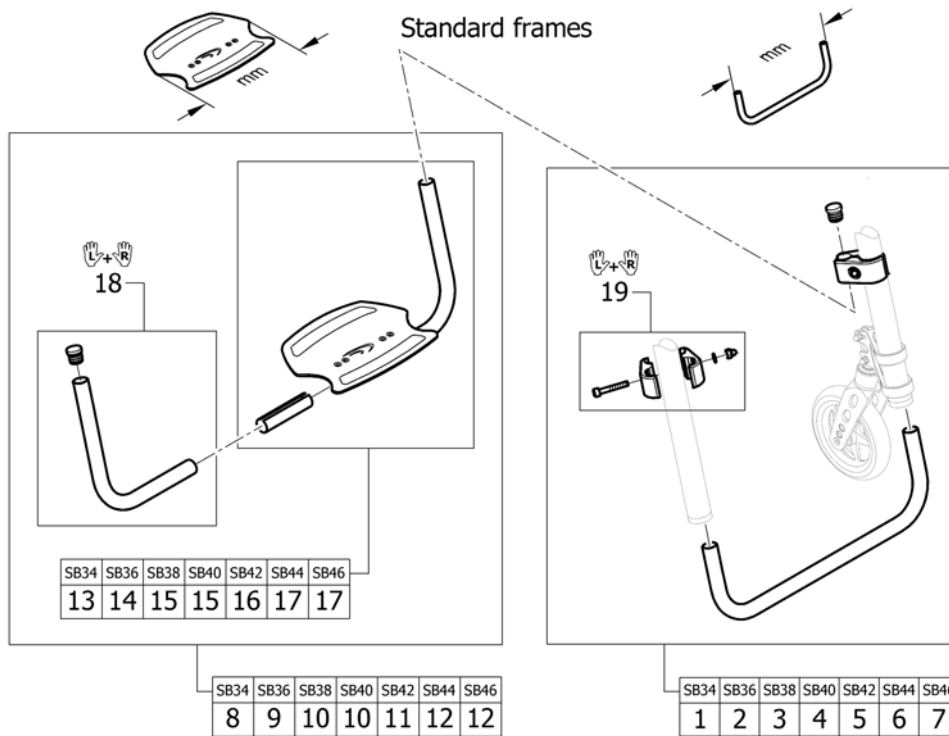
19	1561304	(Footrest Aluminium 375mm for frame 90° for footrest mounted in high position)	1
20	1561305	(Footrest Aluminium 395mm for frame 90° for footrest mounted in high position)	1
21	1561306	(Footrest Aluminium 415mm for frame 90° for footrest mounted in high position)	1
22	1561129	(Footplate 183mm)	1
23	1561130	(Footplate 203mm)	1
24	1561131	(Footplate 223mm)	1
25	1561132	(Footplate 243mm)	1
26	1561133	(Footplate 263mm)	1
27	1561134	(Footplate 283mm)	1
28	1561135	(Footplate 303mm)	1
29	1544613	(Clamping kit for footrest high mounted, pair)	1
30	1567694	(Footrest sleeve, pair)	1

(Footrest angle adjustable)



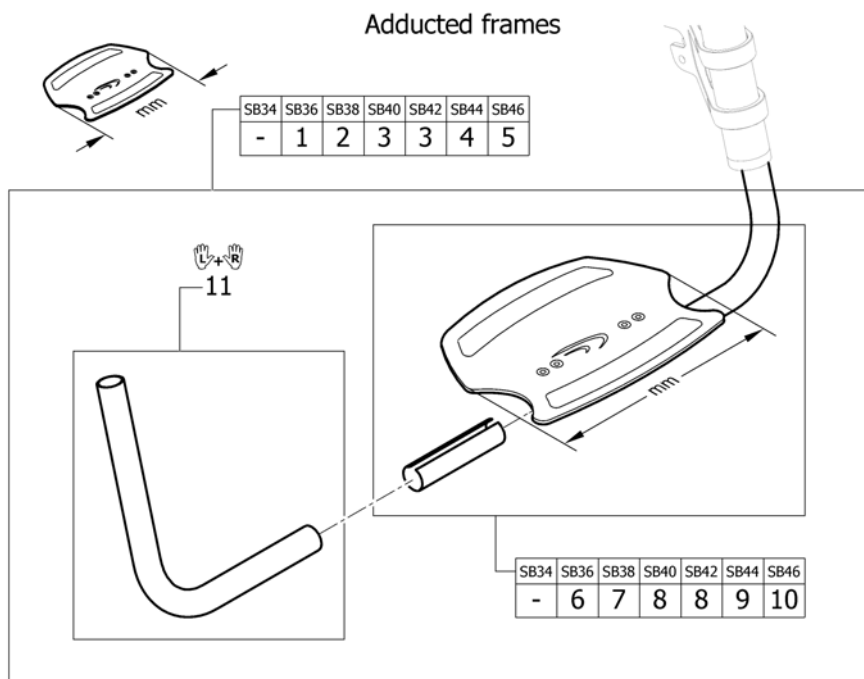
1	1561206	(Footrest angle adjustable 222mm, complete)	1
2	1561207	(Footrest angle adjustable 250mm, complete)	1
3	1561208	(Footrest angle adjustable 280mm, complete)	1
4	1561209	(Footrest angle adjustable 308mm, complete)	1
5	1561143	(Footplate 222mm with clamping part)	1
6	1561144	(Footplate 250mm with clamping part)	1
7	1561145	(Footplate 280mm with clamping part)	1
8	1561204	(Footplate 308mm with clamping part)	1
9	1561210	(Telescopic kit for footrest angle adjustable, pair)	1

(Footrest angle adjustable highmounted)



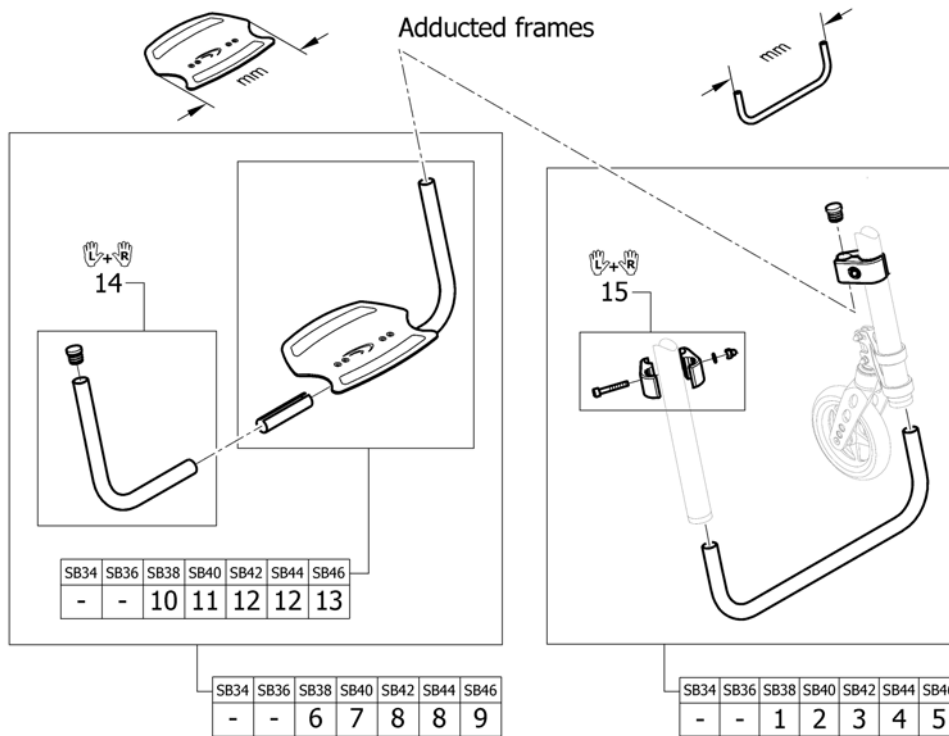
1	1561215	(Tube set for footrest, mounted in high position, 315mm)	1
2	1561216	(Tube set for footrest, mounted in high position, 335mm)	1
3	1561217	(Tube set for footrest, mounted in high position, 355mm)	1
4	1561218	(Tube set for footrest, mounted in high position, 375mm)	1
5	1561219	(Tube set for footrest, mounted in high position, 395mm)	1
6	1561220	(Tube set for footrest, mounted in high position, 415mm)	1
7	1561221	(Tube set for footrest, mounted in high position, 435mm)	1
8	1561312	(Footrest angle adjustable 193mm for footrest mounted in high position)	1
9	1561313	(Footrest angle adjustable 222mm for footrest mounted in high position)	1
10	1561314	(Footrest angle adjustable 250mm for footrest mounted in high position)	1
11	1561315	(Footrest angle adjustable 280mm for footrest mounted in high position)	1
12	1561316	(Footrest angle adjustable 308mm for footrest mounted in high position)	1
13	1561142	(Footplate 193mm with clamping part)	1
14	1561143	(Footplate 222mm with clamping part)	1
15	1561144	(Footplate 250mm with clamping part)	1
16	1561145	(Footplate 280mm with clamping part)	1
17	1561204	(Footplate 308mm with clamping part)	1
18	1561317	(Telescopic kit for footrest angle adjustable mounted in high position)	1
19	1544613	(Clamping kit for footrest high mounted, pair)	1

(Footrest angle adjustable for adducted frame)



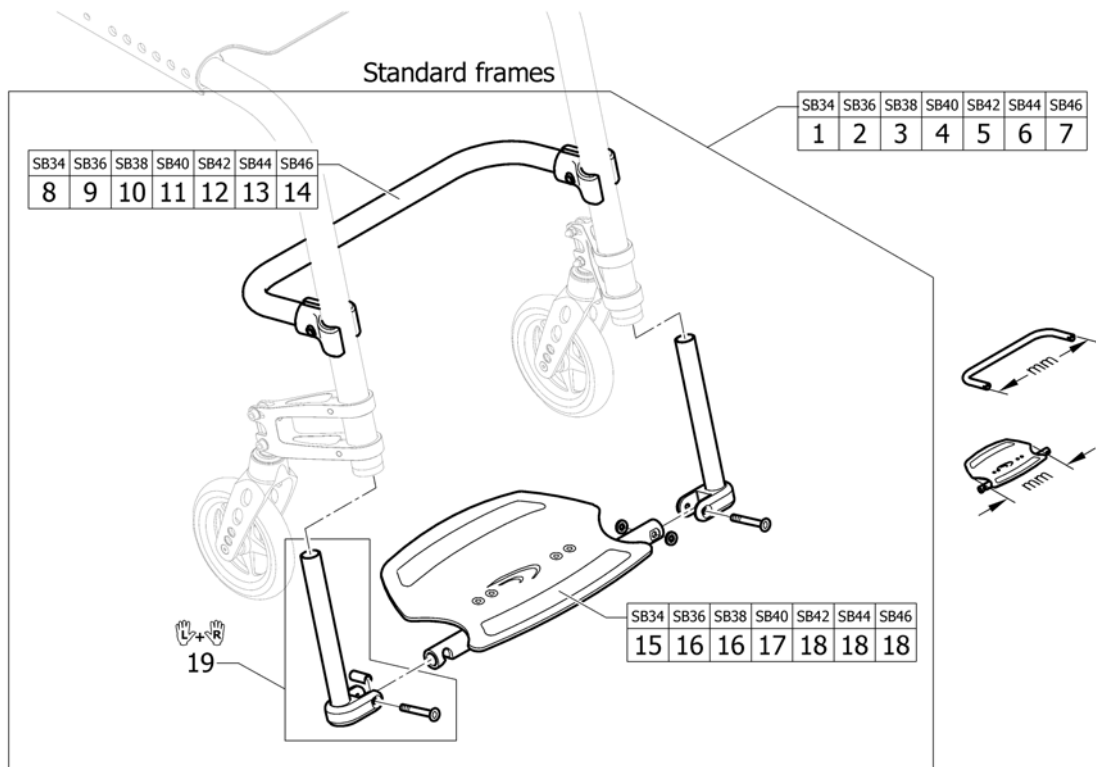
1	1561205	(Footrest angle adjustable 193mm, complete)	1
2	1561206	(Footrest angle adjustable 222mm, complete)	1
3	1561207	(Footrest angle adjustable 250mm, complete)	1
4	1561208	(Footrest angle adjustable 280mm, complete)	1
5	1561209	(Footrest angle adjustable 308mm, complete)	1
6	1561142	(Footplate 193mm with clamping part)	1
7	1561143	(Footplate 222mm with clamping part)	1
8	1561144	(Footplate 250mm with clamping part)	1
9	1561145	(Footplate 280mm with clamping part)	1
10	1561204	(Footplate 308mm with clamping part)	1
11	1561210	(Telescopic kit for footrest angle adjustable, pair)	1

(Footrest angle adjustable highmounted for adducted frame)



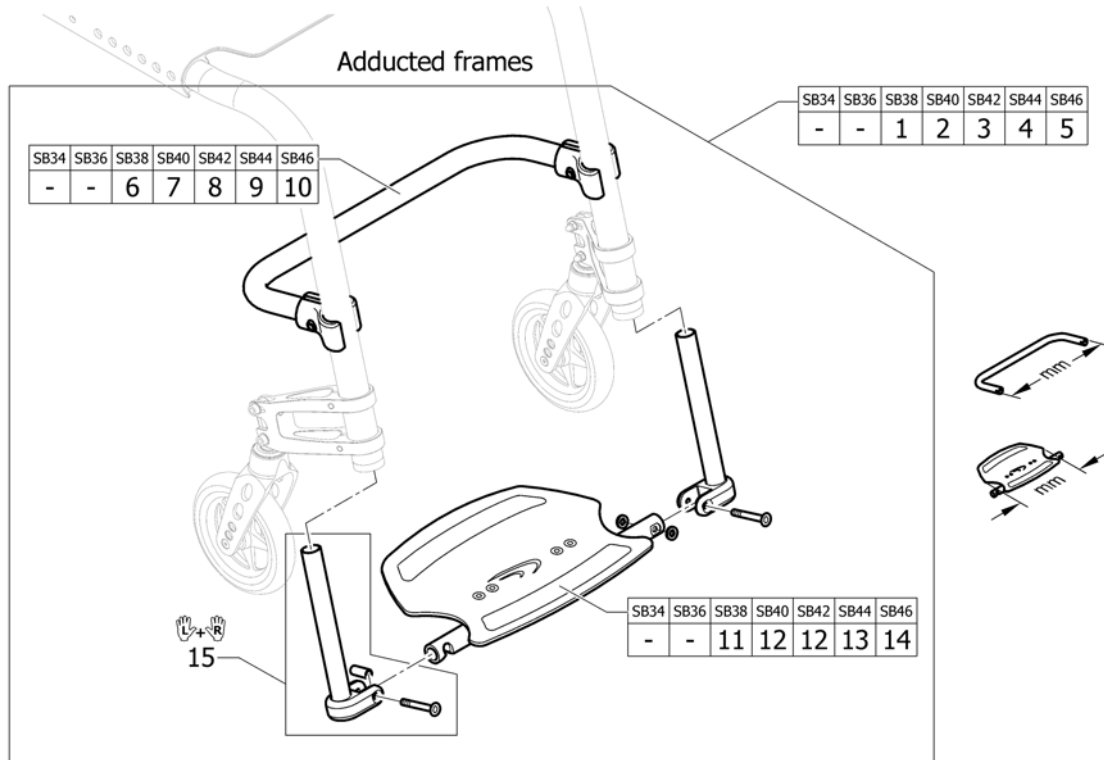
1	1561215	(Tube set for footrest, mounted in high position, 315mm)	1
2	1561216	(Tube set for footrest, mounted in high position, 335mm)	1
3	1561217	(Tube set for footrest, mounted in high position, 355mm)	1
4	1561218	(Tube set for footrest, mounted in high position, 375mm)	1
5	1561219	(Tube set for footrest, mounted in high position, 395mm)	1
6	1561312	(Footrest angle adjustable 193mm for footrest mounted in high position)	1
7	1561313	(Footrest angle adjustable 222mm for footrest mounted in high position)	1
8	1561314	(Footrest angle adjustable 250mm for footrest mounted in high position)	1
9	1561315	(Footrest angle adjustable 280mm for footrest mounted in high position)	1
10	1561142	(Footplate 193mm with clamping part)	1
11	1561143	(Footplate 222mm with clamping part)	1
12	1561144	(Footplate 250mm with clamping part)	1
13	1561145	(Footplate 280mm with clamping part)	1
14	1561317	(Telescopic kit for footrest angle adjustable mounted in high position)	1
15	1544613	(Clamping kit for footrest high mounted, pair)	1

(Footrest flip-to-side)



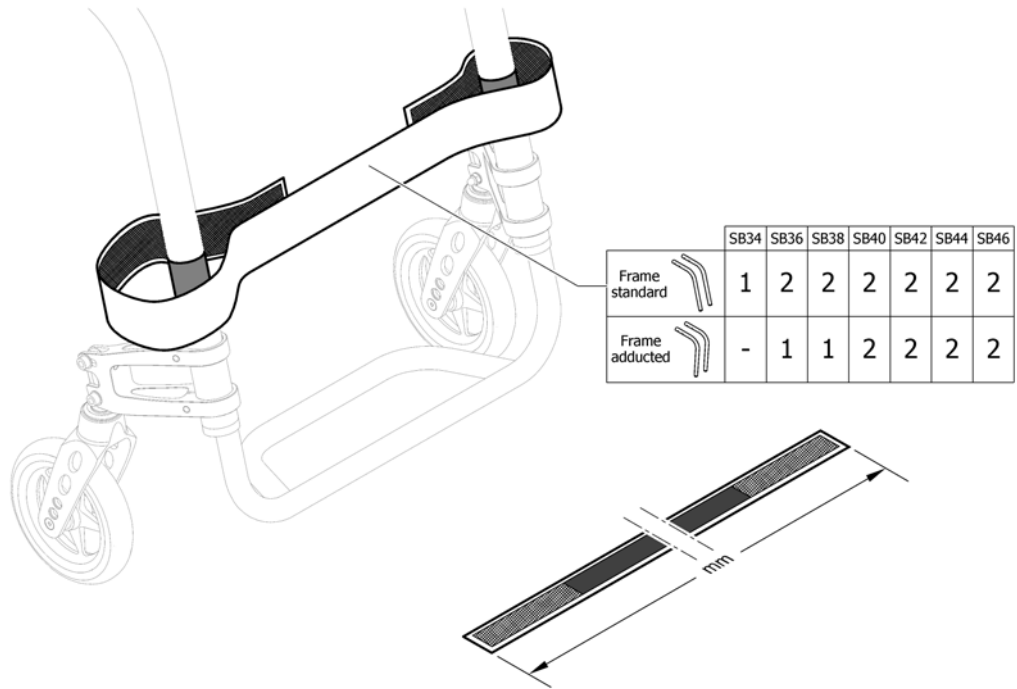
1	1561318	(Footrest flip-to-side with reinforcement bar 316mm complete)	1
2	1561319	(Footrest flip-to-side with reinforcement bar 336mm complete)	1
3	1561320	(Footrest flip-to-side with reinforcement bar 356mm complete)	1
4	1561393	(Footrest flip-to-side with reinforcement bar 376mm complete)	1
5	1561394	(Footrest flip-to-side with reinforcement bar 396mm complete)	1
6	1561511	(Footrest flip-to-side with reinforcement bar 416mm complete)	1
7	1561512	(Footrest flip-to-side with reinforcement bar 436mm complete)	1
8	1561513	(Reinforcement bar 316mm to Footrest flip to side)	1
9	1561514	(Reinforcement bar 336mm to Footrest flip to side)	1
10	1561515	(Reinforcement bar 356mm to Footrest flip to side)	1
11	1561516	(Reinforcement bar 376mm to Footrest flip to side)	1
12	1561517	(Reinforcement bar 396mm to Footrest flip to side)	1
13	1561518	(Reinforcement bar 416mm to Footrest flip to side)	1
14	1561519	(Reinforcement bar 436mm to Footrest flip to side)	1
15	1561520	(Footplate 222mm to footrest flip-to-side)	1
16	1561521	(Footplate 250mm to footrest flip-to-side)	1
17	1561522	(Footplate 280mm to footrest flip-to-side)	1
18	1561523	(Footplate 308mm to footrest flip-to-side)	1
19	1561524	(Telescopic tube kit to footrest flip-to-side)	1

(Footrest flip-to-side for adducted frame)

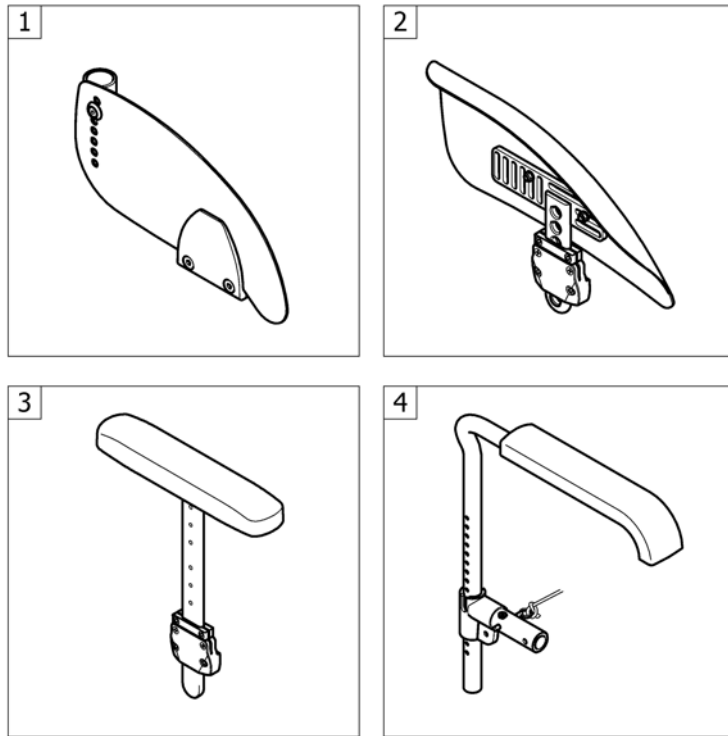


1	1561318	(Footrest flip-to-side with reinforcement bar 316mm complete)	1
2	1561319	(Footrest flip-to-side with reinforcement bar 336mm complete)	1
3	1561320	(Footrest flip-to-side with reinforcement bar 356mm complete)	1
4	1561393	(Footrest flip-to-side with reinforcement bar 376mm complete)	1
5	1561394	(Footrest flip-to-side with reinforcement bar 396mm complete)	1
6	1561513	(Reinforcement bar 316mm to Footrest flip to side)	1
7	1561514	(Reinforcement bar 336mm to Footrest flip to side)	1
8	1561515	(Reinforcement bar 356mm to Footrest flip to side)	1
9	1561516	(Reinforcement bar 376mm to Footrest flip to side)	1
10	1561517	(Reinforcement bar 396mm to Footrest flip to side)	1
11	1561520	(Footplate 222mm to footrest flip-to-side)	1
12	1561521	(Footplate 250mm to footrest flip-to-side)	1
13	1561522	(Footplate 280mm to footrest flip-to-side)	1
14	1561523	(Footplate 308mm to footrest flip-to-side)	1
15	1561524	(Telescopic tube kit to footrest flip-to-side)	1

(Calf strap)

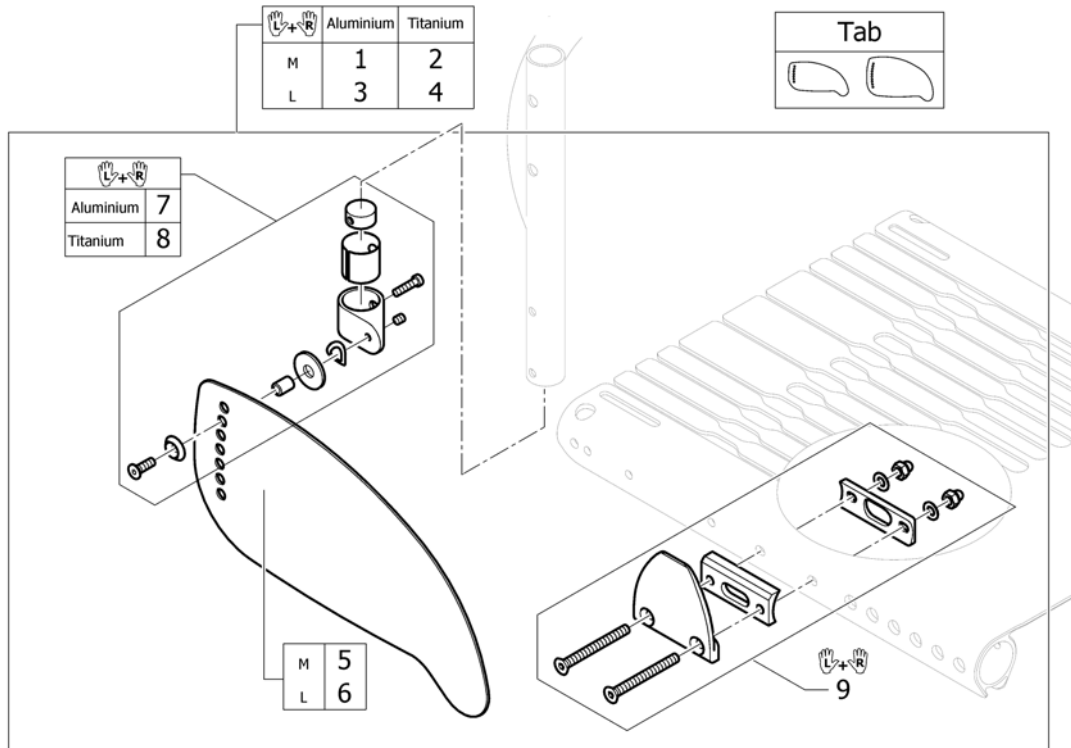


1	1561528	(Calf strap complete, 780mm)	1
2	1561529	(Calf strap complete, 940mm)	1



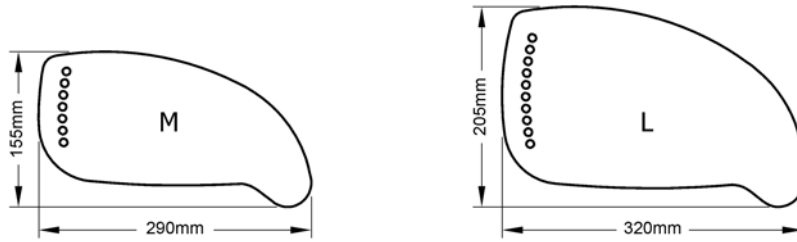
1	-	(Clothes-guards carbon)	1
2	-	(Mudguards carbon)	1
3	-	(Siderest height adjustable)	1
4	-	(Tubular armrest)	1

(Clothes-guards carbon)



Tab	-	(Configuration table clothes-guard carbon)	1
1	1561659	(Clothes-guards carbon M with fixation kit to backrest Aluminium, pair)	1
2	1561747	(Clothes-guards carbon M with fixation kit to backrest Titan, pair)	1
3	1561815	(Clothes-guards carbon L with fixation kit to backrest Aluminium, pair)	1
4	1561835	(Clothes-guards carbon L with fixation kit to backrest Titan, pair)	1
5	1547461	K-Serie G3 kled.besch. carbon maat m ps	1
6	1547462	K-Serie G3 kled.besch. carbon maat l ps	1
7	1547452	K-Serie G3 kled.besch. fixatie op rug ps	1
8	1547453	(Fixation kit clothes-guard carbon to backrest Titanium)	1
9	1561836	(Fixation clothes-guard to seat module, pair)	1

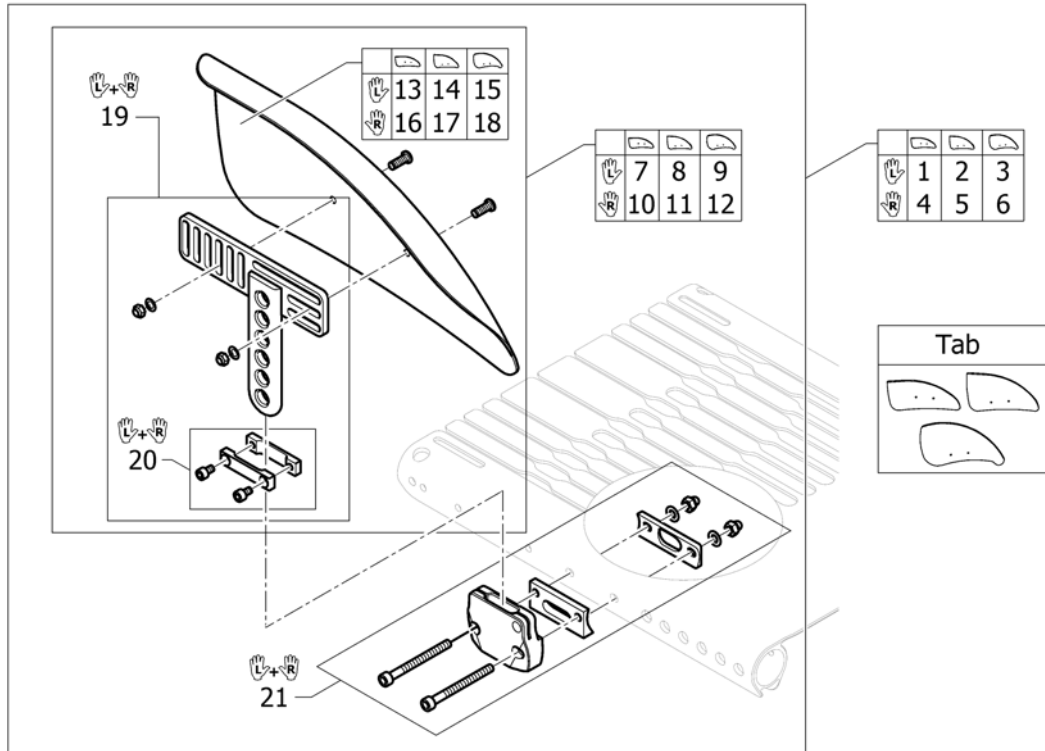
(Configuration table clothes-guard carbon)



Rear wheel position (mm)	Rear wheel 22"					Rear wheel 24"					Rear wheel 25"					Rear wheel 26"				
	140	125	110	95	80	140	125	110	95	80	140	125	110	95	80	140	125	110	95	80
Rear SH 37cm	L	L	L	L	M	L	L	L	L	L	L	L	L	L	L	L	L	L	L	L
Rear SH 38cm	L	L	L	M	M	L	L	L	L	L	L	L	L	L	L	L	L	L	L	L
Rear SH 39cm	L	L	M	M	M	L	L	L	L	L	L	L	L	L	L	L	L	L	L	L
Rear SH 40cm	L	M	M	M	M	L	L	L	L	L	L	L	L	L	L	L	L	L	L	L
Rear SH 41cm	M	M	M	M	M	L	L	L	L	M	L	L	L	L	L	L	L	L	L	L
Rear SH 42 cm	M	M	M	M	M	L	L	L	M	M	L	L	L	L	L	L	L	L	L	L
Rear SH 43cm	M	M	M	M	M	L	L	M	M	M	L	L	L	L	M	L	L	L	L	L
Rear SH 44cm	M	M	M	M	M	L	M	M	M	M	L	L	L	M	M	L	L	L	L	L
Rear SH 45cm	M	M	M	M	M	M	M	M	M	M	L	L	M	M	M	L	L	L	L	M
Rear SH 46cm	M	M	M	M	M	M	M	M	M	M	L	M	M	M	M	L	L	L	M	M
Rear SH 47cm	M	M	M	M	M	M	M	M	M	M	M	M	M	M	M	L	L	M	M	M
Rear SH 48cm	M	M	M	M	M	M	M	M	M	M	M	M	M	M	M	L	M	M	M	M
Rear SH 49cm	M	M	M	M	M	M	M	M	M	M	M	M	M	M	M	M	M	M	M	M

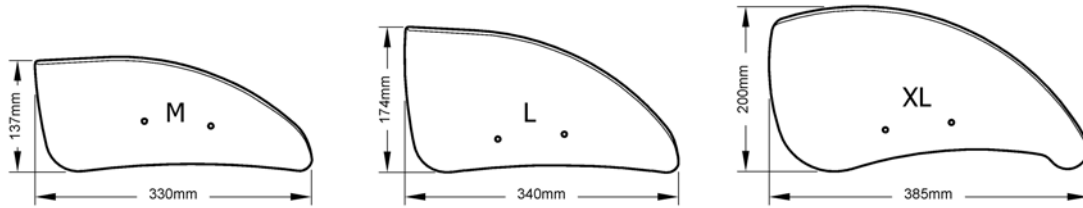
-
- M - (Clothes-guard Size M) 1
 - L - (Clothes-guard Size L) 1

(Mudguards carbon)



Tab	-	(Configuration table mudguards carbon)	1
1	1562025	(Mudguard carbon left M short complete)	1
2	1562026	(Mudguard carbon left L short complete)	1
3	1562027	(Mudguard carbon left XL short complete)	1
4	1562028	(Mudguard carbon right M short complete)	1
5	1562238	(Mudguard carbon right L short complete)	1
6	1562239	(Mudguard carbon right XL short complete)	1
7	1547479	K-serie G3 spatbord M ex.bev.carbon links cpl	1
8	1547480	K-Serie G3 spatbord L ex.bev.carbon links cpl	1
9	1553158	(Mudguard carbon left XL short)	1
10	1547483	K-serie G3 spatbord M ex.bev.carbon rechts cpl	1
11	1547484	K-Serie G3 spatbord L ex.bev.carbon rechts cpl	1
12	1553203	(Mudguard carbon right XL short)	1
13	1547533	(Mudguard carbon left M)	1
14	1547534	Kusch spatbord carbon li	1
15	1553137	(Mudguard carbon left XL)	1
16	1547535	(Mudguard carbon right M)	1
17	1547536	Kusch spatbord carbon re	1
18	1553138	(Mudguard carbon right XL)	1
19	1547488	Kusch spatb.carbon bev. plaat pp ex.spatb.G3/Adv	1
20	1547537	Kusch spatbord bev.set tbv.T-stuk pp	1
21	1562240	(Fixationset mudguard to seat module, pair)	1

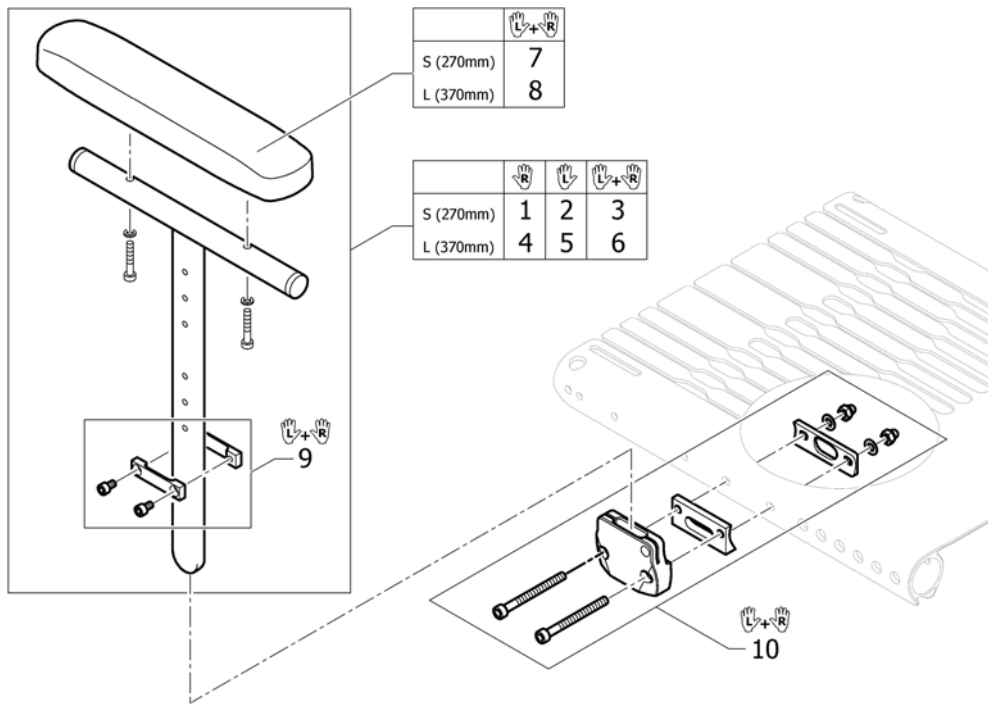
(Configuration table mudguards carbon)



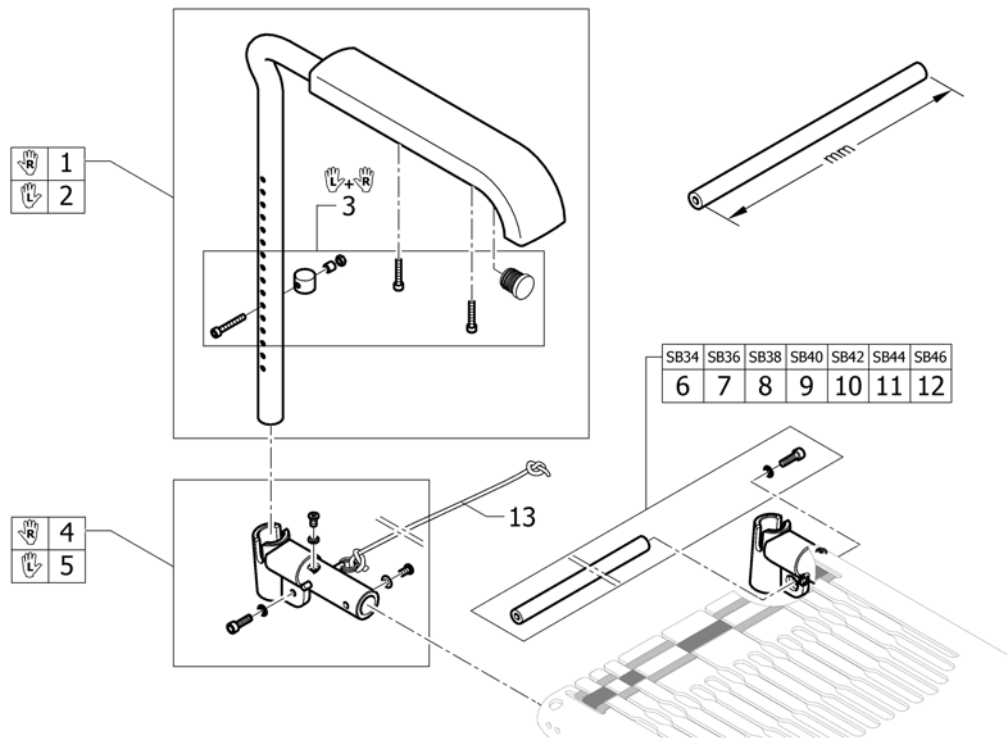
Rear wheel position (mm)	Rear wheel 22"					Rear wheel 24"					Rear wheel 25"					Rear wheel 26"				
	140	125	110	95	80	140	125	110	95	80	140	125	110	95	80	140	125	110	95	80
Rear SH 37cm	L	L	L	L	M	XL	XL	L	L	L	XL	XL	XL	XL	L	XL	XL	XL	XL	XL
Rear SH 38cm	L	L	L	M	M	XL	L	L	L	L	XL	XL	XL	L	L	XL	XL	XL	XL	XL
Rear SH 39cm	L	L	M	M	M	L	L	L	L	L	XL	XL	L	L	L	XL	XL	XL	XL	L
Rear SH 40cm	L	M	M	M	M	L	L	L	L	L	XL	L	L	L	L	XL	XL	XL	L	L
Rear SH 41cm	M	M	M	M	M	L	L	L	L	M	L	L	L	L	L	XL	XL	L	L	L
Rear SH 42 cm	M	M	M	M	M	L	L	L	M	M	L	L	L	L	L	XL	L	L	L	L
Rear SH 43cm	M	M	M	M	M	L	L	M	M	M	L	L	L	L	M	L	L	L	L	L
Rear SH 44cm	M	M	M	M	M	L	M	M	M	M	L	L	L	M	M	L	L	L	L	L
Rear SH 45cm	M	M	M	M	M	M	M	M	M	M	L	L	M	M	M	L	L	L	L	M
Rear SH 46cm	M	M	M	M	M	M	M	M	M	M	L	M	M	M	M	L	L	L	M	M
Rear SH 47cm	M	M	M	M	M	M	M	M	M	M	M	M	M	M	M	L	L	M	M	M
Rear SH 48cm	M	M	M	M	M	M	M	M	M	M	M	M	M	M	M	L	M	M	M	M
Rear SH 49cm	M	M	M	M	M	M	M	M	M	M	M	M	M	M	M	M	M	M	M	M

- M - (Mudguard carbon Size M) 1
- L - (Mudguard carbon Size L) 1
- XL - (Mudguard carbon Size XL) 1

(Siderest height adjustable)

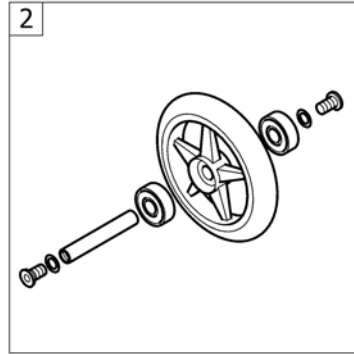
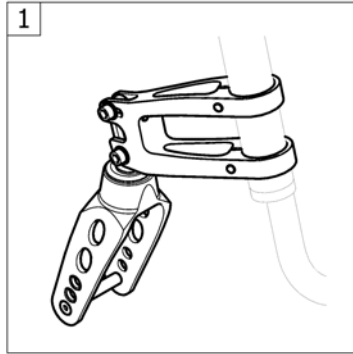


1	1517677	Kusch armst.i.h.v.kort re >04-08 K-Serie 05	1
2	1517678	Kusch armst.i.h.v.kort li >04-08 K-Serie 05	1
3	1517682	Kusch armst.h.i.kort pp	1
4	1517679	Kusch armst.i.h.v.lang re >04-08 ex.bev.ps	1
5	1517680	Kusch armst.i.h.v.lang li >04-08 ex.bev.ps	1
6	1517683	Kusch armst.h.i.lang pp Fus/R33/K-Jr/K-Serie	1
7	1439497	Compact arml.medium pp	1
8	1439498	Compact arml.large pp	1
9	1547537	Kusch spatbord bev.set tbv.T-stuk pp	1
10	1562240	(Fixationset mudguard to seat module, pair)	1



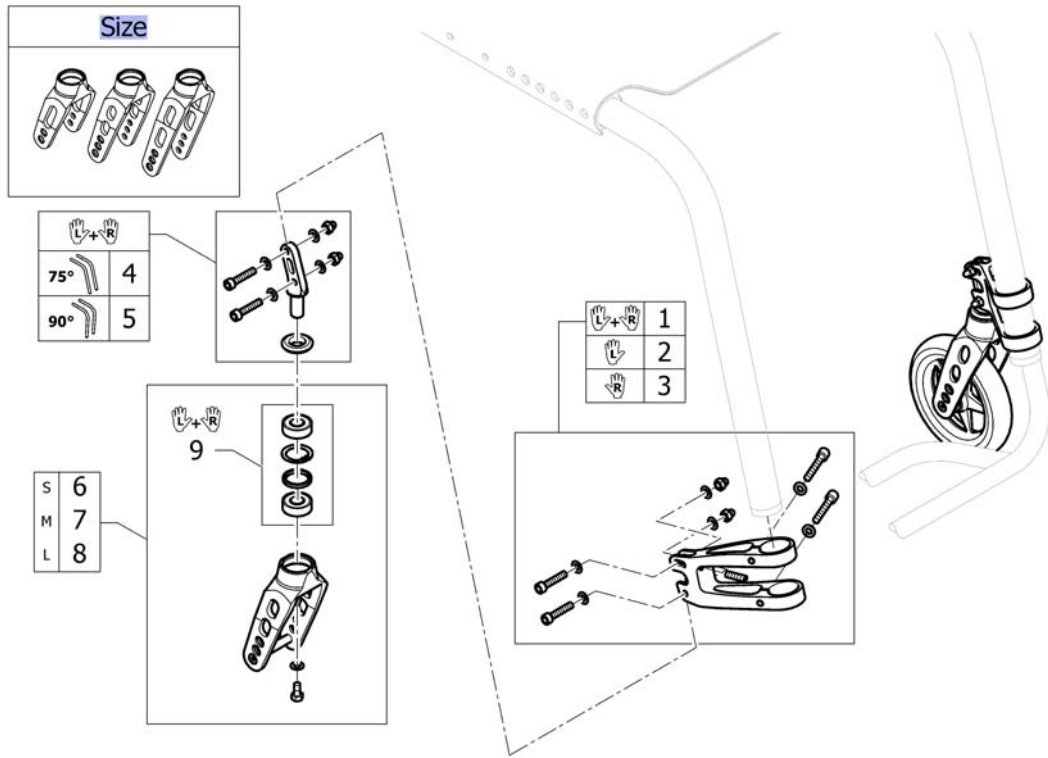
1	913.1012	Life armst.+arml.std. ex.bev.re	1
2	913.1013	Life armst.+arml.std. ex.bev.li	1
3	1547610	(Boltset Armrest)	1
4	1562556	(Armrest adapter right incl. Fixation and cord)	1
5	1562557	(Armrest adapter left incl. Fixation and cord)	1
6	1562509	(Connection tube 296mm)	1
7	1562510	(Connection tube 316mm)	1
8	1562511	(Connection tube 336mm)	1
9	1562512	(Connection tube 356mm)	1
10	1562513	(Connection tube 376mm)	1
11	1562514	(Connection tube 396mm)	1
12	1562553	(Connection tube 416mm)	1
13	1554427	(Cord for backrest foldable)	1

(FRONT WHEELS)



1	-	(Front forks standard)	1
2	-	(Front wheels)	1

(Front forks standard)

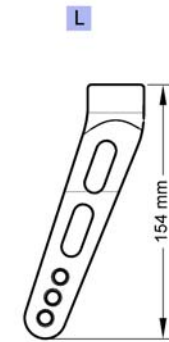
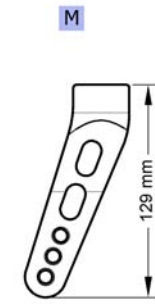
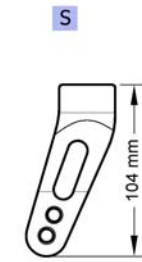


Size	-	(Configuration table for front fork size)		0
1	1562560	(Front wheel supporter, pair, dark grey)	14.05.2012 → 31.12.2014	1
1	1562560-0004	(Front wheel supporter, pair, black)	01.01.2015 →	1
2	1562561	(Front wheel supporter, left, dark grey)	14.05.2012 → 31.12.2014	1
2	1562561-0004	(Front wheel supporter, left, black)	01.01.2015 →	1
3	1562562	(Front wheel supporter, right, dark grey)	14.05.2012 → 31.12.2014	1
3	1562562-0004	(Front wheel supporter, right, black)	01.01.2015 →	1
4	1562563	(Front fork pin kit for frame 75°, pair)		1
5	1562564	(Front fork pin kit for frame 90°, pair)		1
6	1562565-0004	(Front fork S, black anodized)		2
6	1562565-0001	(Front fork S, chrome)		2
6	1562565-0182	(Front fork S, champagne)	01.01.2013 →	2
6	1562565-0183	(Front fork S, olive)	01.01.2013 → 31.12.2014	2
6	1562565-0400	(Front fork S, techno-anthrazit)		2
6	1562565-0404	(Front fork S, b-blue)	14.05.2012 → 31.12.2014	2
6	1562565-0440	(Front fork S, comet red)		2
6	1562565-0441	(Front fork S, arctic blue)		2
6	1562565-0444	(Front fork S, copper glaze)	14.05.2012 → 31.12.2014	2
7	1562566-0004	(Front fork M, black anodized)		2
7	1562566-0001	(Front fork M, chrome)		2
7	1562566-0182	(Front fork M, champagne)	01.01.2013 →	2
7	1562566-0183	(Front fork M, olive)	01.01.2013 → 31.12.2014	2
7	1562566-0400	(Front fork M, techno-anthrazit)		2
7	1562566-0404	(Front fork M, b-blue)	14.05.2012 → 31.12.2014	2
7	1562566-0440	(Front fork M, comet red)		2

(Front forks standard)

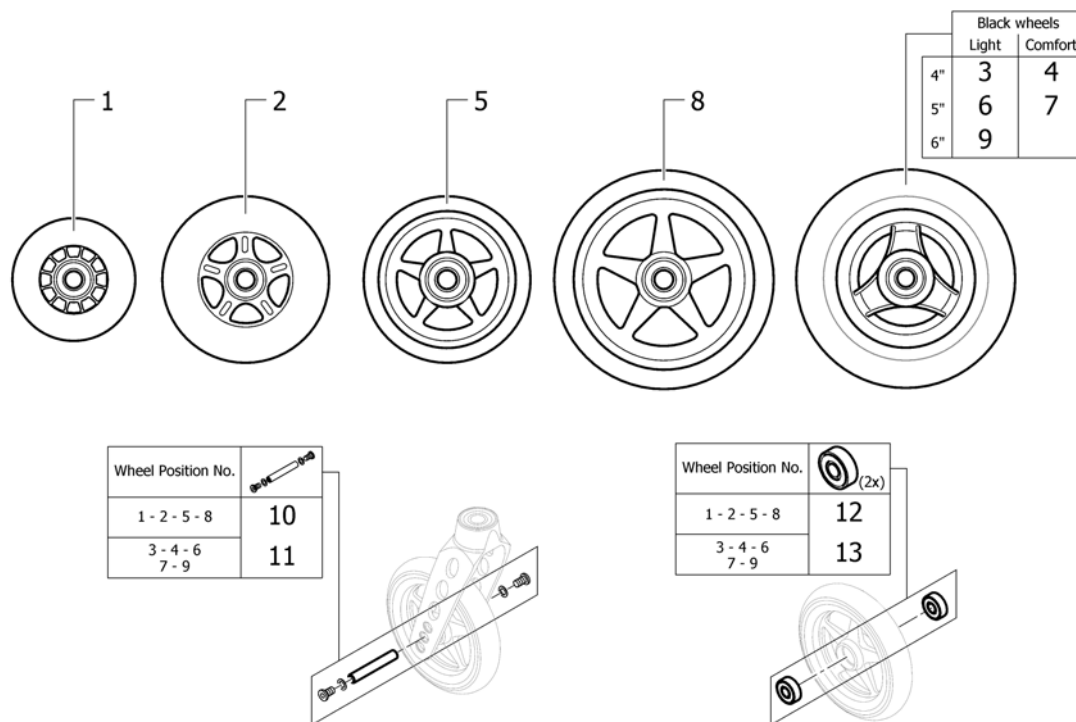
7	1562566-0441	(Front fork M, arctic blue)		2
7	1562566-0444	(Front fork M, copper glaze)	14.05.2012 → 31.12.2014	2
8	1562567-0004	(Front fork L, black anodized)		2
8	1562567-0001	(Front fork L, chrome)		2
8	1562567-0182	(Front fork L, champagne)	01.01.2013 →	2
8	1562567-0183	(Front fork L, olive)	01.01.2013 → 31.12.2014	2
8	1562567-0400	(Front fork L, techno-anthrazit)		2
8	1562567-0404	(Front fork L, b-blue)	14.05.2012 → 31.12.2014	2
8	1562567-0440	(Front fork L, comet red)		2
8	1562567-0441	(Front fork L, arctic blue)		2
8	1562567-0444	(Front fork L, copper glaze)	14.05.2012 → 31.12.2014	2
9	1510219	Kusch voorvork lagerset tbv.Compact/UI		1

(Configuration table for front fork size)



S	-	(Front fork, Size S)	0
M	-	(Front fork, Size M)	0
L	-	(Front fork, Size L)	0

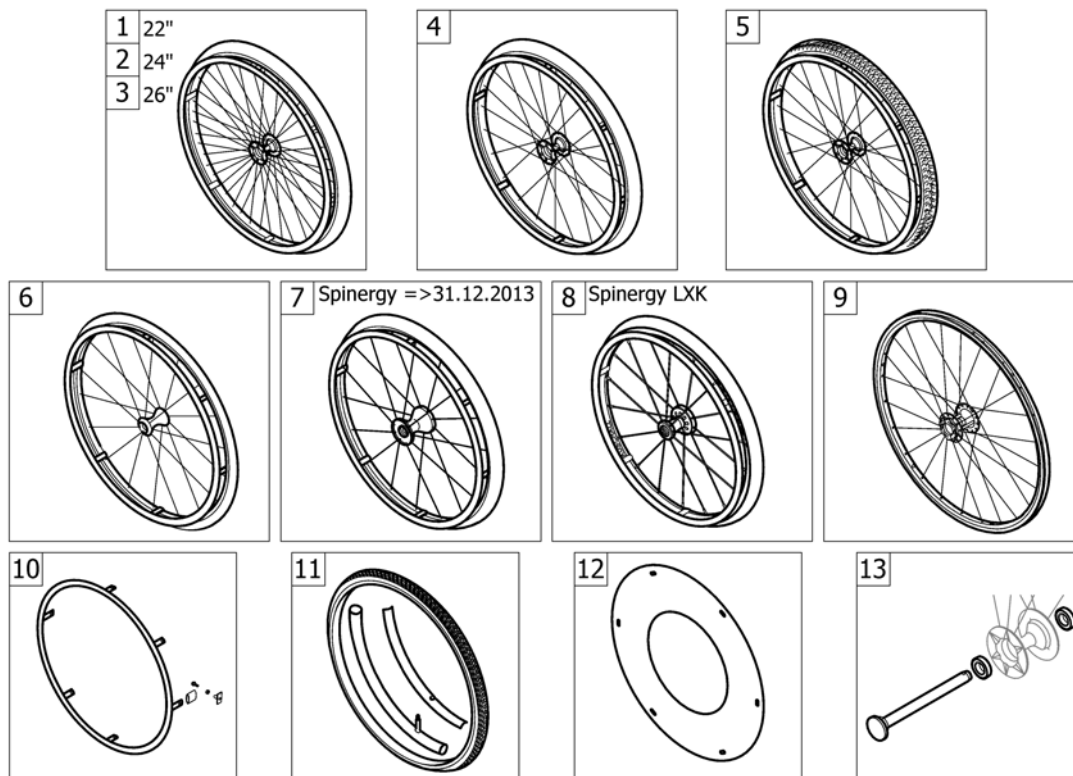
(Front wheels)



1	1513180	(3" Sports wheel, transparent)		2
2	1513181	(4" Skater wheel, transparent)		2
3	1562626	Wiel 4'lichtlopend ps Kusch (Everyday) <i>Replaces 1513182</i>	01.07.2012 →	2
4	1561139	Wiel 4'comfort zwart Kusch		2
5	1513183-0001	(4" Starec wheel, chrome)		2
5	1513183-0182	(4" Starec wheel, champagne)	01.01.2013 →	2
5	1513183-0183	(4" Starec wheel, olive)	01.01.2013 → 31.12.2014	2
5	1513183-0400	Wiel 4'starec techno antraciet ps Kusch		2
5	1513183-0404	(4" Starec wheel, b-blue)	14.05.2012 → 31.12.2014	2
5	1513183-0004	(4" Starec wheel, glossy black anodized) <i>Replaces 1513183-0408</i>		2
5	1513183-0440	Wiel 4'starec rood ps Kusch		2
5	1513183-0441	(4" Starec wheel, arctic blue)		2
5	1513183-0444	(4" Starec wheel, copper glaze)	14.05.2012 → 31.12.2014	2
6	1562627	Wiel 5'lichtlopend zwart 3-spaaks Kusch ps <i>Replaces 1513185</i>	01.07.2012 →	2
7	1542640	Wiel 5'comfort zwart Kusch ps <i>Replaces 1513186</i>		2
8	1513187-0001	(5" Starec wheel, chrome)		2
8	1513187-0182	(5" Starec wheel, champagne)	01.01.2013 →	2
8	1513187-0183	(5" Starec wheel, olive)	01.01.2013 → 31.12.2014	2
8	1513187-0440	(5" Starec wheel, comet red)		2
8	1513187-0441	(5" Starec wheel, arctic blue)		2
8	1513187-0444	(5" Starec wheel, copper glaze)	14.05.2012 → 31.12.2014	2
8	1513187-0400	Wiel 5'starec techno antr.ps Kusch		2
8	1513187-0404	(5" Starec wheel, b-blue)	14.05.2012 → 31.12.2014	2
8	1513187-0004	(5" Starec wheel, black anodized)		2

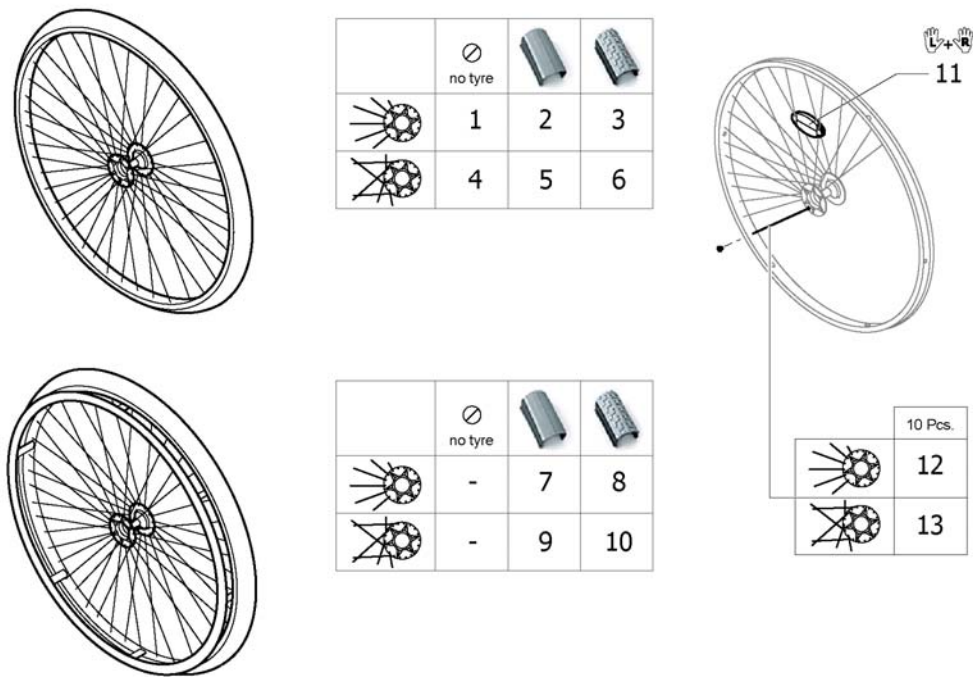
9	1562628	Wiel 6'lichtlopend ps Kusch (Everyday) <i>Replaces 1513190</i>	01.07.2012 →	2
10	1420972	Kusch as set tbv.starec/ skate wiel		2
11	1570108	Kusch voorw.as pp		2
12	1570104	Kusch voorwiellager pp 608-2RS 8/22*7		2
13	1570105	(Ball bearing 6000-2RS, pair)		2

(REAR WHEELS)



1	-	(22" Küschall rear wheels complete)	14.05.2012 → 31.12.2013	1
2	-	(24" Küschall rear wheels complete)		1
3	-	(26" Küschall rear wheels complete)		1
4	-	(High Performance wheel)		1
5	-	(Mountainbike wheel)		1
6	-	(Ultra-light fibre wheel)	14.05.2012 → 31.12.2013	1
7	-	(Spinergy wheel)	14.05.2012 → 31.12.2013	1
8	-	(Spinergy LXX wheel)	01.01.2014 →	1
9	-	(Hub brake wheel)	01.07.2013 →	1
10	-	(Handrim)		1
11	-	(Tyre)		1
12	-	(Spokes guard)		1
13	-	(Quick release axle and bearing)		1

(22" Küschall rear wheels complete)

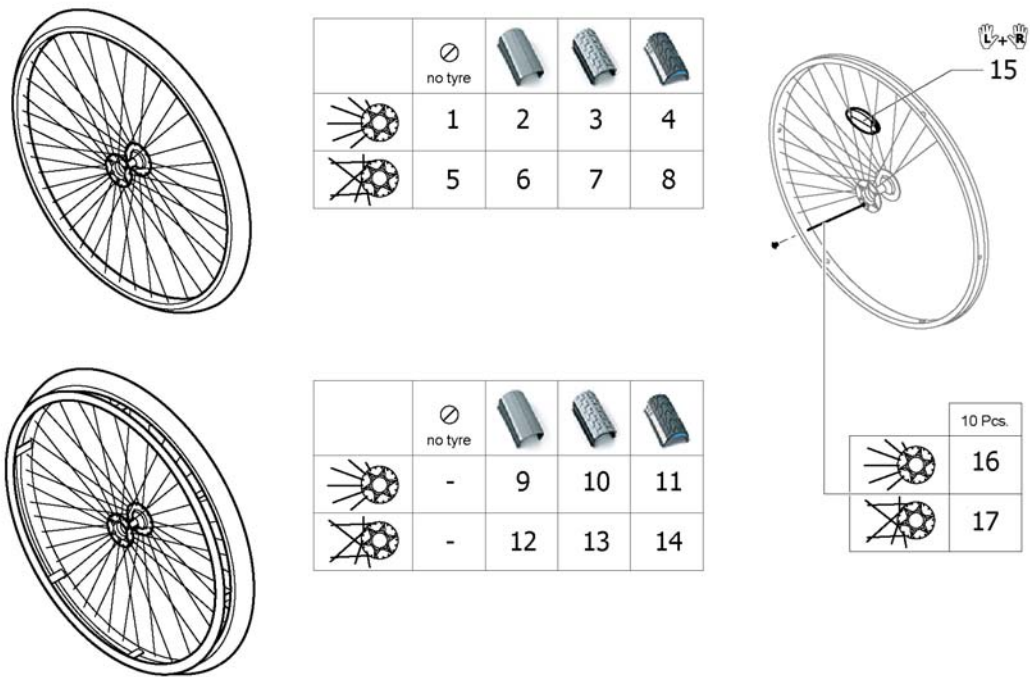


1	1559082-0407	(Rear wheel 22" Starec R, colourless, without handrim, without tyre)	14.05.2012 → 31.12.2013	2
1	1559082-0001	(Rear wheel 22" Starec R, chrome, without handrim, without tyre)	14.05.2012 → 31.12.2013	2
1	1559082-0182	(Rear wheel 22" Starec R, champagne, without handrim, without tyre)	01.01.2013 → 31.12.2013	2
1	1559082-0183	(Rear wheel 22" Starec R, olive, without handrim, without tyre)	01.01.2013 → 31.12.2013	2
1	1559082-0400	(Rear wheel 22" Starec R, tecno, without handrim, without tyre)	14.05.2012 → 31.12.2013	2
1	1559082-0404	(Rear wheel 22" Starec R, b-blue, without handrim, without tyre)	14.05.2012 → 31.12.2013	2
1	1559082-0440	(Rear wheel 22" Starec R, comet red, without handrim, without tyre)	14.05.2012 → 31.12.2013	2
1	1559082-0441	(Rear wheel 22" Starec R, arctic blue, without handrim, without tyre)	14.05.2012 → 31.12.2013	2
1	1559082-0444	(Rear wheel 22" Starec R, copper glaze, without handrim, without tyre)	14.05.2012 → 31.12.2013	2
2	904.1195	(Rear wheel 22", Starec hub R, without handrim, light wall)	14.05.2012 → 31.12.2013	2
3	904.1158	(Rear wheel 22", Starec hub R, without handrim, Tread)	14.05.2012 → 31.12.2013	2
4	1559083-0407	(Rear wheel 22", Starec X, colourless, without handrim, without tyre)	14.05.2012 → 31.12.2013	2
4	1559083-0001	(Rear wheel 22", Starec X, chrome, without handrim, without tyre)	14.05.2012 → 31.12.2013	2
4	1559083-0182	(Rear wheel 22", Starec X, champagne, without handrim, without tyre)	01.01.2013 → 31.12.2013	2
4	1559083-0183	(Rear wheel 22" Starec X, olive, without handrim, without tyre)	01.01.2013 → 31.12.2013	2
4	1559083-0400	(Rear wheel 22" Starec X, Tecno, without handrim, without tyre)	14.05.2012 → 31.12.2013	2
4	1559083-0404	(Rear wheel 22" Starec X, B-blue, without handrim, without tyre)	14.05.2012 → 31.12.2013	2
4	1559083-0440	(Rear wheel 22" Starec X, Comet red, without handrim, without tyre)	14.05.2012 → 31.12.2013	2

(22" Küschall rear wheels complete)

4	1559083-0441	(Rear wheel 22" Starec X, arctic blue, without handrim, without tyre)	14.05.2012 → 31.12.2013	2
4	1559083-0444	(Rear wheel 22" Starec X, copper glaze, without handrim, without tyre)	14.05.2012 → 31.12.2013	2
5	904.1189	(Rear wheel 22", Starec hub X, without handrim, light wall)	14.05.2012 → 31.12.2013	2
6	904.1139	(Rear wheel 22", Starec hub X, without handrim, Tread)	14.05.2012 → 31.12.2013	2
7	1562657	(Rear wheel 22", Starec hub R, handrim aluminium black, light wall)	14.05.2012 → 31.12.2013	2
8	1562658	(Rear wheel 22", Starec hub R, handrim aluminium black, Tread)	14.05.2012 → 31.12.2013	2
9	1562655	(Rear wheel 22", Starec hub X, handrim aluminium black, light wall)	14.05.2012 → 31.12.2013	2
10	1562656	(Rear wheel 22", Starec hub X, handrim aluminium black, Tread)	14.05.2012 → 31.12.2013	2
11	1571073	(Spokereflection, pair)	14.05.2012 → 31.12.2013	1
		<i>Replaces 220.1033</i>		
12	1579081	(Spokes 211mm complete, kit 10 Pcs.)	14.05.2012 → 31.12.2013	1
13	1579082	(Spokes 228mm complete, kit 10 Pcs.)	14.05.2012 → 31.12.2013	1

(24" Küschall rear wheels complete)



1	1567103-0407	Wiel 24'starec rad.ex bubahoepel Kusch ps <i>Replaces 904.1082</i>	14.05.2012 → 31.12.2014	2
1	1567103-0001	(Rear wheel 24" Starec R, chrome, without handrim, without tyre) <i>Replaces 904.1082-0001</i>	14.05.2012 → 31.12.2014	2
1	1567103-0182	(Rear wheel 24" Starec R, champagne, without handrim, without tyre)	01.01.2013 → 31.12.2014	2
1	1567103-0183	(Rear wheel 24" Starec R, olive, without handrim, without tyre)	01.01.2013 → 31.12.2014	2
1	1567103-0400	(Rear wheel 24" Starec R, tecno, without handrim, without tyre) <i>Replaces 904.1082.950</i>	14.05.2012 → 31.12.2014	2
1	1567103-0404	(Rear wheel 24" Starec R, b-blue, without handrim, without tyre) <i>Replaces 904.1082.957</i>	14.05.2012 → 31.12.2014	2
1	1567103-0440	(Rear wheel 24" Starec R, comet red, without handrim, without tyre) <i>Replaces 904.1082-0440</i>	14.05.2012 → 31.12.2014	2
1	1567103-0441	(Rear wheel 24" Starec R, arctic blue, without handrim, without tyre) <i>Replaces 904.1082-0441</i>	14.05.2012 → 31.12.2014	2
1	1567103-0444	(Rear wheel 24" Starec R, copper glaze, without handrim, without tyre) <i>Replaces 904.1082-0444</i>	14.05.2012 → 31.12.2014	2
2	904.1161	Wiel 24'starec rad.licht lopend ex.hoepel Kusch	14.05.2012 → 31.12.2014	2
3	904.1160	(Rear wheel 24", Starec hub R, without handrim, Tread)	14.05.2012 → 31.12.2014	2
4	1554397-0407	(Rear wheel 24", Starec R, colourless, without handrim, marathon evolution)	14.05.2012 → 31.12.2014	2
4	1554397-0001	(Rear wheel 24" Starec R, chrome, without handrim, marathon evolution)	14.05.2012 → 31.12.2014	2
4	1554397-0182	(Rear wheel 24" Starec R, champagne, without handrim, marathon evolution)	01.01.2013 → 31.12.2014	2
4	1554397-0183	(Rear wheel 24" Starec R, olive, without handrim, marathon evolution)	01.01.2013 → 31.12.2014	2

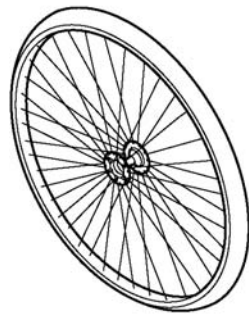
(24" Küschall rear wheels complete)

4	1554397-0400	(Rear wheel 24" Starec R, tecno, without handrim, marathon evolution)	14.05.2012 → 31.12.2014	2
4	1554397-0404	(Rear wheel 24" Starec R, b-blue, without handrim, marathon evolution)	14.05.2012 → 31.12.2014	2
4	1554397-0440	(Rear wheel 24" Starec R, comet red, without handrim, marathon evolution)	14.05.2012 → 31.12.2014	2
4	1554397-0441	(Rear wheel 24" Starec R, arctic blue, without handrim, marathon evolution)	14.05.2012 → 31.12.2014	2
4	1554397-0444	(Rear wheel 24" Starec R, copper glaze, without handrim, marathon evolution)	14.05.2012 → 31.12.2014	2
5	1567104-0407	Kusch velg 24'starec gekr.ex.hoepel/buba ps <i>Replaces 1416885</i>		2
5	1567104-0001	(Rear wheel 24", Starec X, chrome, without handrim, without tyre) <i>Replaces 904.1132-0001</i>		2
5	1567104-0182	(Rear wheel 24", Starec X, champagne, without handrim, without tyre)	01.01.2013 →	2
5	1567104-0183	(Rear wheel 24" Starec X, olive, without handrim, without tyre)	01.01.2013 → 31.12.2014	2
5	1567104-0400	(Rear wheel 24" Starec X, Tecno, without handrim, without tyre) <i>Replaces 904.1132.950</i>		2
5	1567104-0404	(Rear wheel 24" Starec X, B-blue, without handrim, without tyre) <i>Replaces 904.1132.957</i>	14.05.2012 → 31.12.2014	2
5	1567104-0440	(Rear wheel 24" Starec X, Comet red, without handrim, without tyre) <i>Replaces 904.1132-0440</i>		2
5	1567104-0441	(Rear wheel 24" Starec X, arctic blue, without handrim, without tyre) <i>Replaces 904.1132-0441</i>		2
5	1567104-0444	(Rear wheel 24" Starec X, copper glaze, without handrim, without tyre) <i>Replaces 904.1132-0444</i>	14.05.2012 → 31.12.2014	2
6	1570471	(Rear wheel 24", Starec hub X, without handrim, light wall tyre)		2
7	904.1141	(Rear wheel 24", Starec hub X, without handrim, Tread)		2
8	1554399-0407	(Rear wheel 24", Starec X, colourless, without handrim, marathon evolution)		2
8	1554399-0001	(Rear wheel 24" Starec X, chrome, without handrim, marathon evolution)		2
8	1554399-0182	(Rear wheel 24" Starec X, champagne, without handrim, marathon evolution)	01.01.2013 →	2
8	1554399-0183	(Rear wheel 24" Starec X, olive, without handrim, marathon evolution)	01.01.2013 → 31.12.2014	2
8	1554399-0400	(Rear wheel 24" Starec X, tecno, without handrim, marathon evolution)		2
8	1554399-0404	(Rear wheel 24" Starec X, b-blue, without handrim, marathon evolution)	14.05.2012 → 31.12.2014	2
8	1554399-0440	(Rear wheel 24" Starec X, comet red, without handrim, marathon evolution)		2
8	1554399-0441	(Rear wheel 24" Starec X, arctic blue, without handrim, marathon evolution)		2
8	1554399-0444	(Rear wheel 24" Starec X, copper glaze, without handrim, marathon evolution)	14.05.2012 → 31.12.2014	2
9	1562661	(Rear wheel 24", Starec hub R, handrim aluminium black, light wall)	14.05.2012 → 31.12.2014	2
10	1562662	(Rear wheel 24", Starec hub R, handrim aluminium black, Tread)	14.05.2012 → 31.12.2014	2
11	1554398-0407	(Rear wheel 24", Starec R, colourless, handrim, marathon evolution)	14.05.2012 → 31.12.2014	2
11	1554398-0001	(Rear wheel 24" Starec R, chrome, handrim, marathon evolution)	14.05.2012 → 31.12.2014	2
11	1554398-0182	(Rear wheel 24" Starec R, champagne, handrim, marathon evolution)	01.01.2013 → 31.12.2014	2
11	1554398-0183	(Rear wheel 24" Starec R, olive, handrim, marathon evolution)	01.01.2013 → 31.12.2014	2
11	1554398-0400	Wiel 24'starec rad.marathon+hoepel techno	14.05.2012 → 31.12.2014	2
11	1554398-0404	(Rear wheel 24" Starec R, b-blue, handrim, marathon evolution)	14.05.2012 → 31.12.2014	2

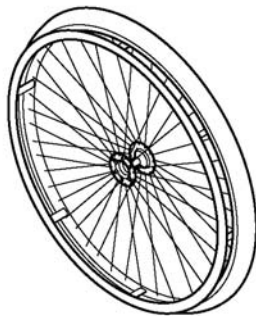
(24" Küschall rear wheels complete)

11	1554398-0440	(Rear wheel 24" Starec R, comet red, handrim, marathon evolution)	14.05.2012 → 31.12.2014	2
11	1554398-0441	(Rear wheel 24" Starec R, arctic blue, handrim, marathon evolution)	14.05.2012 → 31.12.2014	2
11	1554398-0444	(Rear wheel 24" Starec R, copper glaze, handrim, marathon evolution)	14.05.2012 → 31.12.2014	2
12	1562659	(Rear wheel 24", Starec hub X, handrim aluminium black, light wall)		2
13	1562660	(Rear wheel 24", Starec hub X, handrim aluminium black, Tread)		2
14	1554400-0407	(Rear wheel 24", Starec X, colourless, handrim, marathon evolution)		2
14	1554400-0001	(Rear wheel 24" Starec X, chrome, handrim, marathon evolution)		2
14	1554400-0182	(Rear wheel 24" Starec X, champagne, handrim, marathon evolution)	01.01.2013 →	2
14	1554400-0183	(Rear wheel 24" Starec X, olive, handrim, marathon evolution)	01.01.2013 → 31.12.2014	2
14	1554400-0400	(Rear wheel 24" Starec X, tecno, handrim, marathon evolution)		2
14	1554400-0404	(Rear wheel 24" Starec X, b-blue, handrim, marathon evolution)	14.05.2012 → 31.12.2014	2
14	1554400-0440	(Rear wheel 24" Starec X, comet red, handrim, marathon evolution)		2
14	1554400-0441	(Rear wheel 24" Starec X, arctic blue, handrim, marathon evolution)		2
14	1554400-0444	(Rear wheel 24" Starec X, copper glaze, handrim, marathon evolution)	14.05.2012 → 31.12.2014	2
15	1571073	(Spokereflection, pair) <i>Replaces 220.1033</i>		1
16	1579084	Kusch spaak 24' starec radiaal 10st.	14.05.2012 → 31.12.2014	1
17	1579086	Kusch spaak 24' starec gekruisd 10st.		1

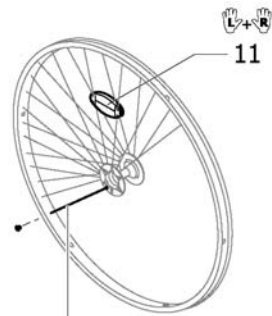
(26" Küschall rear wheels complete)



	no tyre		
	1	2	3
	4	5	6



	no tyre		
	-	7	8
	-	9	10



	10 Pcs.
	12
	13

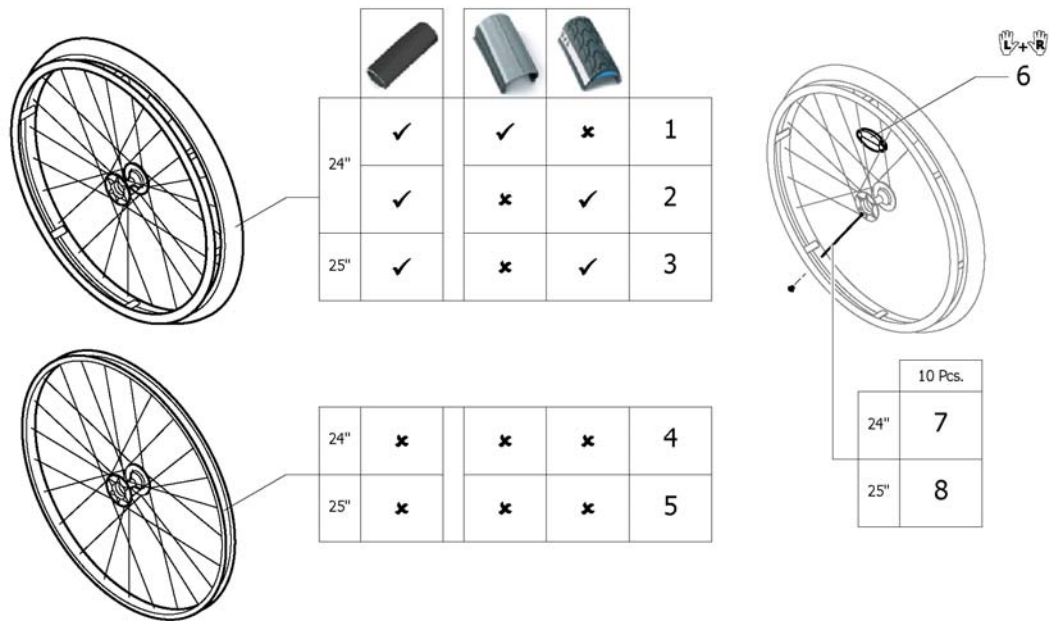
1	1567098-0407	Kusch velg 26'starec rad kleurl.ex.hoepel/band ps <i>Replaces 904.1083</i>	14.05.2012 → 31.12.2014	2
1	1567098-0001	(Rear wheel 26" Starec R, chrome, without handrim, without tyre) <i>Replaces 904.1083-0001</i>	14.05.2012 → 31.12.2014	2
1	1567098-0182	(Rear wheel 26" Starec R, champagne, without handrim, without tyre)	01.01.2013 → 31.12.2014	2
1	1567098-0183	(Rear wheel 26" Starec R, olive, without handrim, without tyre)	01.01.2013 → 31.12.2014	2
1	1567098-0400	(Rear wheel 26" Starec R, tecno, without handrim, without tyre) <i>Replaces 904.1083.950</i>	14.05.2012 → 31.12.2014	2
1	1567098-0404	(Rear wheel 26" Starec R, b-blue, without handrim, without tyre) <i>Replaces 904.1083.957</i>	14.05.2012 → 31.12.2014	2
1	1567098-0440	(Rear wheel 26" Starec R, comet red, without handrim, without tyre) <i>Replaces 904.1083-0440</i>	14.05.2012 → 31.12.2014	2
1	1567098-0441	(Rear wheel 26" Starec R, arctic blue, without handrim, without tyre) <i>Replaces 904.1083-0441</i>	14.05.2012 → 31.12.2014	2
1	1567098-0444	(Rear wheel 26" Starec R, copper glaze, without handrim, without tyre) <i>Replaces 904.1083-0444</i>	14.05.2012 → 31.12.2014	2
2	904.1196	Wiel 26'starec rad.licht lopend ex.hoepel Kusch	14.05.2012 → 31.12.2014	2
3	1554401-0407	(Rear wheel 26", Starec R, colourless, without handrim, marathon evolution)	14.05.2012 → 31.12.2014	2
3	1554401-0001	(Rear wheel 26" Starec R, chrome, without handrim, marathon evolution)	14.05.2012 → 31.12.2014	2
3	1554401-0182	(Rear wheel 26" Starec R, champagne, without handrim, marathon evolution)	01.01.2013 → 31.12.2014	2
3	1554401-0183	(Rear wheel 26" Starec R, olive, without handrim, marathon evolution)	01.01.2013 → 31.12.2014	2
3	1554401-0400	(Rear wheel 26" Starec R, tecno, without handrim, marathon evolution)	14.05.2012 → 31.12.2014	2

(26" Küschall rear wheels complete)

3	1554401-0404	(Rear wheel 26" Starec R, b-blue, without handrim, marathon evolution)	14.05.2012 → 31.12.2014	2
3	1554401-0440	(Rear wheel 26" Starec R, comet red, without handrim, marathon evolution)	14.05.2012 → 31.12.2014	2
3	1554401-0441	(Rear wheel 26" Starec R, arctic blue, without handrim, marathon evolution)	14.05.2012 → 31.12.2014	2
3	1554401-0444	(Rear wheel 26" Starec R, copper glaze, without handrim, marathon evolution)	14.05.2012 → 31.12.2014	2
4	1567099-0407	(Rear wheel 26", Starec X, colourless, without handrim, without tyre) <i>Replaces 904.1133</i>		2
4	1567099-0001	(Rear wheel 26", Starec X, chrome, without handrim, without tyre) <i>Replaces 904.1133-0001</i>		2
4	1567099-0182	(Rear wheel 26", Starec X, champagne, without handrim, without tyre)	01.01.2013 →	2
4	1567099-0183	(Rear wheel 26" Starec X, olive, without handrim, without tyre)	01.01.2013 → 31.12.2014	2
4	1567099-0400	(Rear wheel 26" Starec X, Tecno, without handrim, without tyre) <i>Replaces 904.1133.950</i>		2
4	1567099-0404	(Rear wheel 26" Starec X, B-blue, without handrim, without tyre) <i>Replaces 904.1133.957</i>	14.05.2012 → 31.12.2014	2
4	1567099-0440	(Rear wheel 26" Starec X, Comet red, without handrim, without tyre) <i>Replaces 904.1133-0440</i>		2
4	1567099-0441	(Rear wheel 26" Starec X, arctic blue, without handrim, without tyre) <i>Replaces 904.1133-0441</i>		2
4	1567099-0444	(Rear wheel 26" Starec X, copper glaze, without handrim, without tyre) <i>Replaces 904.1133-0444</i>	14.05.2012 → 31.12.2014	2
5	904.1190	Wiel 26'starec kruis lic htlopend ex.hoepel Kusch		2
6	1554403-0407	(Rear wheel 26", Starec X, colourless, without handrim, marathon evolution)		2
6	1554403-0001	(Rear wheel 26" Starec X, chrome, without handrim, marathon evolution)		2
6	1554403-0182	(Rear wheel 26" Starec X, champagne, without handrim, marathon evolution)	01.01.2013 →	2
6	1554403-0183	(Rear wheel 26" Starec X, olive, without handrim, marathon evolution)	01.01.2013 → 31.12.2014	2
6	1554403-0400	(Rear wheel 26" Starec X, tecno, without handrim, marathon evolution)		2
6	1554403-0404	(Rear wheel 26" Starec X, b-blue, without handrim, marathon evolution)	14.05.2012 → 31.12.2014	2
6	1554403-0440	(Rear wheel 26" Starec X, comet red, without handrim, marathon evolution)		2
6	1554403-0441	(Rear wheel 26" Starec X, arctic blue, without handrim, marathon evolution)		2
6	1554403-0444	(Rear wheel 26" Starec X, copper glaze, without handrim, marathon evolution)	14.05.2012 → 31.12.2014	2
7	1562664	(Rear wheel 26", Starec hub R, handrim aluminium black, light wall)	14.05.2012 → 31.12.2014	2
8	1554402-0407	(Rear wheel 26", Starec R, colourless, handrim, marathon evolution)	14.05.2012 → 31.12.2014	2
8	1554402-0001	(Rear wheel 26" Starec R, chrome, handrim, marathon evolution)	14.05.2012 → 31.12.2014	2
8	1554402-0182	(Rear wheel 26" Starec R, champagne, handrim, marathon evolution)	01.01.2013 → 31.12.2014	2
8	1554402-0183	(Rear wheel 26" Starec R, olive, handrim, marathon evolution)	01.01.2013 → 31.12.2014	2
8	1554402-0400	(Rear wheel 26" Starec R, tecno, handrim, marathon evolution)	14.05.2012 → 31.12.2014	2
8	1554402-0404	(Rear wheel 26" Starec R, b-blue, handrim, marathon evolution)	14.05.2012 → 31.12.2014	2
8	1554402-0440	(Rear wheel 26" Starec R, comet red, handrim, marathon evolution)	14.05.2012 → 31.12.2014	2
8	1554402-0441	(Rear wheel 26" Starec R, arctic blue, handrim, marathon evolution)	14.05.2012 → 31.12.2014	2

(26" Küschall rear wheels complete)

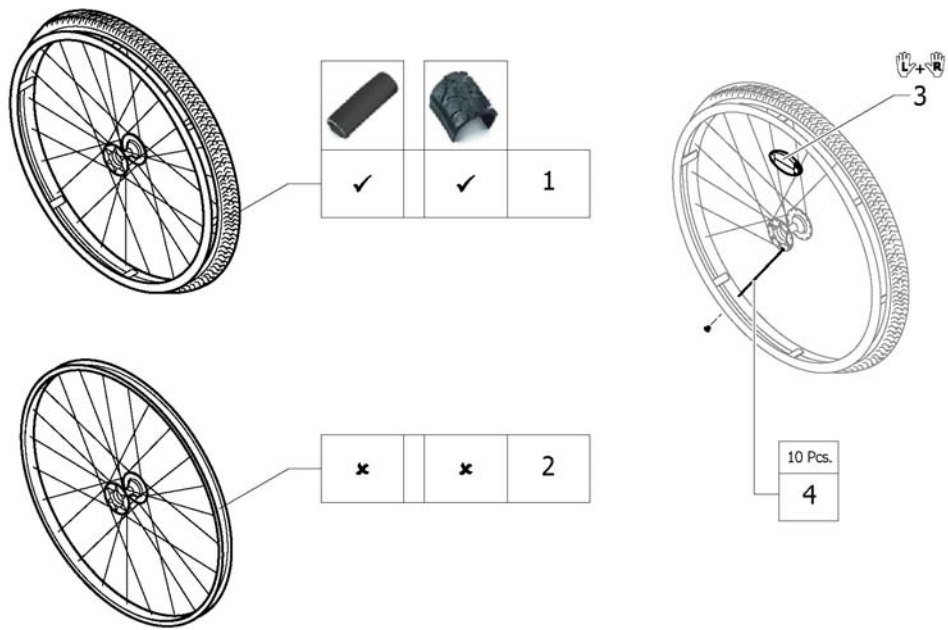
8	1554402-0444	(Rear wheel 26" Starec R, copper glaze, handrim, marathon evolution)	14.05.2012 → 31.12.2014	2
9	1562663	(Rear wheel 26", Starec hub X, handrim aluminium black, light wall)		2
10	1554417-0407	Wiel 26'starec gekr.mara thon evo+hoepel ps		2
10	1554417-0001	(Rear wheel 26" Starec X, chrome, handrim, marathon evolution)		2
10	1554417-0182	(Rear wheel 26" Starec X, champagne, handrim, marathon evolution)	01.01.2013 →	2
10	1554417-0183	(Rear wheel 26" Starec X, olive, handrim, marathon evolution)	01.01.2013 → 31.12.2014	2
10	1554417-0400	(Rear wheel 26" Starec X, tecno, handrim, marathon evolution)		2
10	1554417-0404	(Rear wheel 26" Starec X, b-blue, handrim, marathon evolution)	14.05.2012 → 31.12.2014	2
10	1554417-0440	(Rear wheel 26" Starec X, comet red, handrim, marathon evolution)		2
10	1554417-0441	(Rear wheel 26" Starec X, arctic blue, handrim, marathon evolution)		2
10	1554417-0444	(Rear wheel 26" Starec X, copper glaze, handrim, marathon evolution)	14.05.2012 → 31.12.2014	2
11	1571073	(Spokereflection, pair) <i>Replaces 220.1033</i>		1
12	1579089	Kusch spaak 26" starec radiaal set 10 st.	14.05.2012 → 31.12.2014	1
13	1579090	Kusch spaak 26' starec gekruisd set 10st.		1



1	1562668-0004	(Wheel 24", High Performance, black, handrim aluminium black, tyre light wall)		2
1	1562668-0001	(Wheel 24", High Performance, chrome, handrim aluminium black, tyre light wall)		2
1	1562668-0182	(Wheel 24", High Performance, champagne, handrim aluminium black, tyre light wall)	01.01.2013 →	2
1	1562668-0183	(Wheel 24", High Performance, olive, handrim aluminium black, tyre light wall)	01.01.2013 → 31.12.2014	2
1	1562668-0400	(Wheel 24", High Performance, techno-anthracite, handrim aluminium black, tyre light wall)		2
1	1562668-0404	(Wheel 24", High Performance, b-blue, handrim aluminium black, tyre light wall)	14.05.2012 → 31.12.2014	2
1	1562668-0440	(Wheel 24", High Performance, comet red, handrim aluminium black, tyre light wall)		2
1	1562668-0441	(Wheel 24", High Performance, arctic blue, handrim aluminium black, tyre light wall)		2
1	1562668-0444	(Wheel 24", High Performance, copper glaze, handrim aluminium black, tyre light wall)	14.05.2012 → 31.12.2014	2
2	1562670-0004	(Wheel 24", High Performance, black, handrim aluminium black, tyre Marathon Evolution)		2
2	1562670-0001	(Wheel 24", High Performance, chrome, handrim aluminium black, tyre Marathon Evolution)		2
2	1562670-0182	(Wheel 24", High Performance, champagne, handrim aluminium black, tyre Marathon Evolution)	01.01.2013 →	2
2	1562670-0183	(Wheel 24", High Performance, olive, handrim aluminium black, tyre Marathon Evolution)	01.01.2013 → 31.12.2014	2
2	1562670-0400	(Wheel 24", High Performance, techno-anthracite, handrim aluminium black, tyre Marathon Evolution)		2
2	1562670-0404	(Wheel 24", High Performance, b-blue, handrim aluminium black, tyre Marathon Evolution)	14.05.2012 → 31.12.2014	2
2	1562670-0440	(Wheel 24", High Performance, comet red, handrim aluminium black, tyre Marathon Evolution)		2
2	1562670-0441	(Wheel 24", High Performance, arctic blue, handrim aluminium black, tyre Marathon Evolution)		2
2	1562670-0444	(Wheel 24", High Performance, copper glaze, handrim aluminium black, tyre Marathon Evolution)	14.05.2012 → 31.12.2014	2

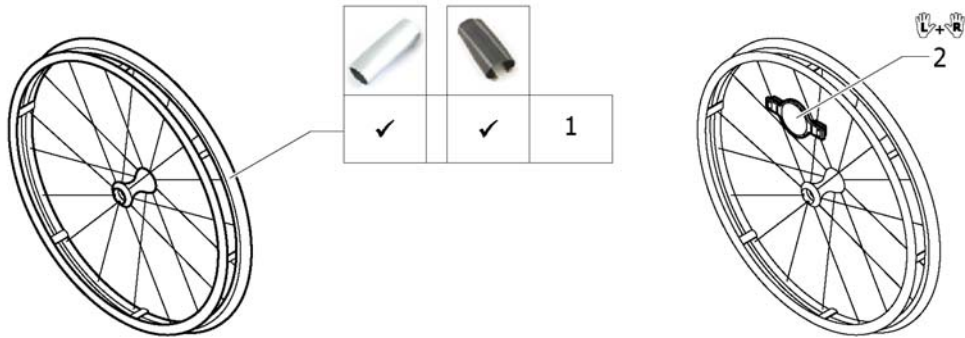
(High Performance wheel)

3	1562669-0004	(Wheel 25", High Performance, black, handrim aluminium black, tyre Marathon Evolution)		2
3	1562669-0001	(Wheel 25", High Performance, chrome, handrim aluminium black, tyre Marathon Evolution)		2
3	1562669-0182	(Wheel 25", High Performance, champagne, handrim aluminium black, tyre Marathon Evolution)	01.01.2013 →	2
3	1562669-0183	(Wheel 25", High Performance, olive, handrim aluminium black, tyre Marathon Evolution)	01.01.2013 → 31.12.2014	2
3	1562669-0400	(Wheel 25", High Performance, techno-anthracite, handrim aluminium black, tyre Marathon Evolution)		2
3	1562669-0404	(Wheel 25", High Performance, b-blue, handrim aluminium black, tyre Marathon Evolution)	14.05.2012 → 31.12.2014	2
3	1562669-0440	(Wheel 25", High Performance, comet red, handrim aluminium black, tyre Marathon Evolution)		2
3	1562669-0441	(Wheel 25", High Performance, arctic blue, handrim aluminium black, tyre Marathon Evolution)		2
3	1562669-0444	(Wheel 25", High Performance, copper glaze, handrim aluminium black, tyre Marathon Evolution)	14.05.2012 → 31.12.2014	2
4	1517723-0004	Kusch velg 24"high perf. zwart ex.hoepel/band ps		2
4	1517723-0001	(Wheel 24", High Performance, chrome, without handrim, without tyre)		2
4	1517723-0182	(Wheel 24", High Performance, champagne, without handrim, without tyre)	01.01.2013 →	2
4	1517723-0183	(Wheel 24", High Performance, olive, without handrim, without tyre)	01.01.2013 → 31.12.2014	2
4	1517723-0400	(Wheel 24", High Performance, techno-anthracite, without handrim, without tyre)		2
4	1517723-0404	(Wheel 24", High Performance, b-blue, without handrim, without tyre)	14.05.2012 → 31.12.2014	2
4	1517723-0440	(Wheel 24", High Performance, comet red, without handrim, without tyre)		2
4	1517723-0441	(Wheel 24", High Performance, arctic blue, without handrim, without tyre)		2
4	1517723-0444	(Wheel 24", High Performance, copper glaze, without handrim, without tyre)	14.05.2012 → 31.12.2014	2
5	1562937-0004	Kusch velg 25"high perf. zwart ex.hoepel/band ps		2
5	1562937-0001	(Wheel 25", High Performance, chrome, without handrim, without tyre)		2
5	1562937-0182	(Wheel 25", High Performance, champagne, without handrim, without tyre)	01.01.2013 →	2
5	1562937-0183	(Wheel 25", High Performance, olive, without handrim, without tyre)	01.01.2013 → 31.12.2014	2
5	1562937-0400	(Wheel 25", High Performance, techno-anthrac., without handrim, without tyre)		2
5	1562937-0404	(Wheel 25", High Performance, b-blue, without handrim, without tyre)	14.05.2012 → 31.12.2014	2
5	1562937-0440	(Wheel 25", High Performance, comet red, without handrim, without tyre)		2
5	1562937-0441	(Wheel 25", High Performance, arctic blue, without handrim, without tyre)		2
5	1562937-0444	(Wheel 25", High Performance, copper glaze, without handrim, without tyre)	14.05.2012 → 31.12.2014	2
6	1571073	(Spokereflection, pair) <i>Replaces 220.1033</i>		1
7	1578867	Kusch spaken tbv.high- perf.wiel set van 10		1
8	1578868	(Spokes kit for High Performance wheel 25", 10 Pcs.)		1

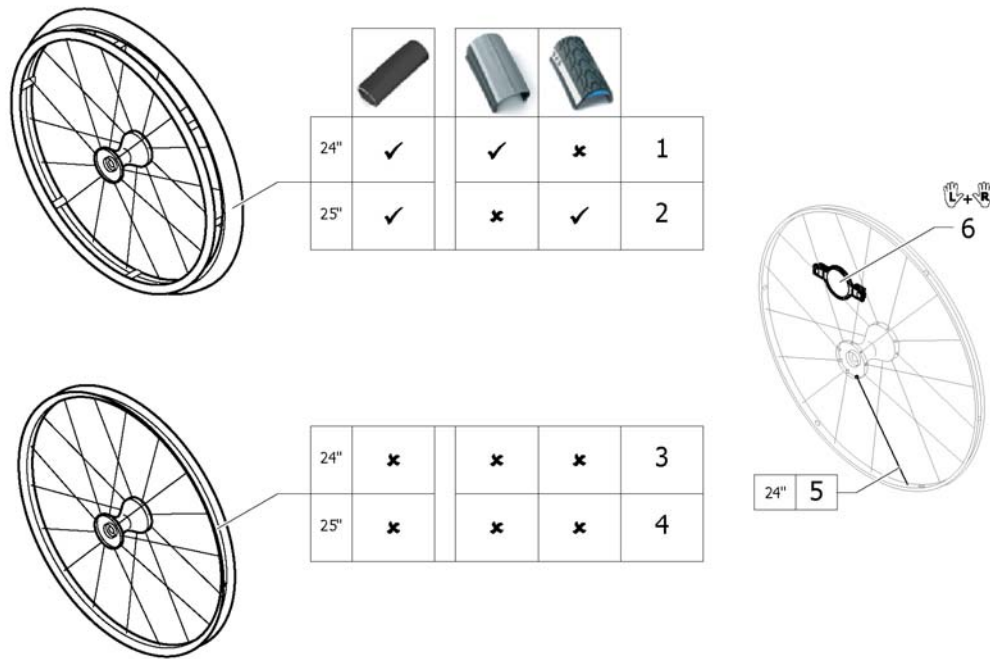


1	1562665	(Rear wheel 24", Mountain Bike, handrim aluminium black, tyre MTB)	2
2	1529327	(Rear wheel Mountain Bike 24", without handrim, without tyre)	2
3	1571073	(Spokereflection, pair) <i>Replaces 220.1033</i>	1
4	1579085	(Spokes kit for Mountain Bike wheel, 10 Pcs.)	1

Küschall® Advance | (REAR WHEELS)
(Ultra-light fibre wheel)

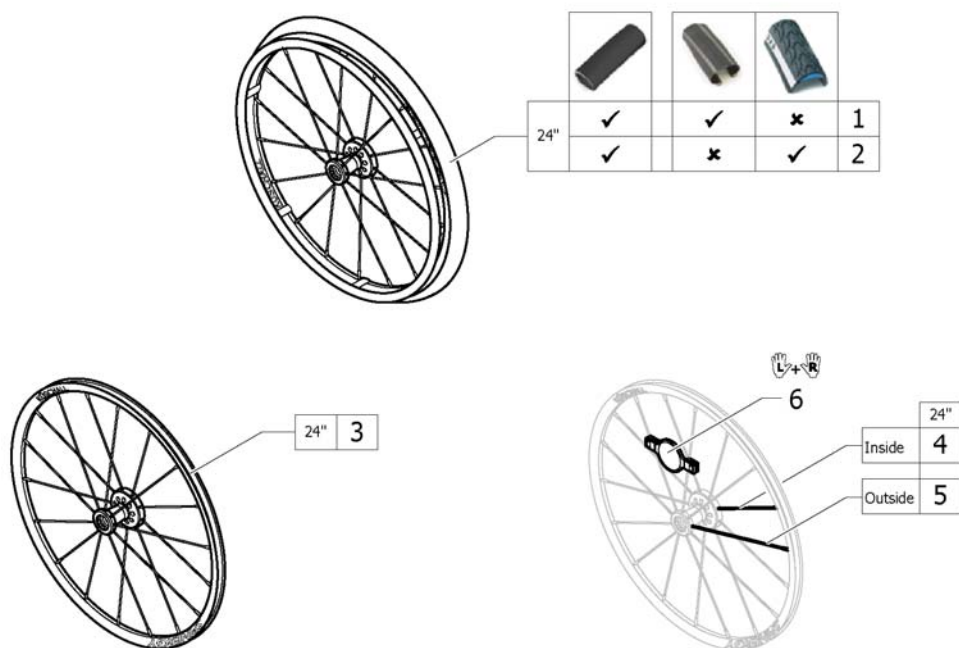


1	1578804	(Ultra-light fibre wheel with tyre Schwalbe One) <i>Replaces 1547628</i>	20.11.2013 → 31.12.2013	2
2	1571088	(Spoke reflection for Spinergy wheel, pair) <i>Replaces 1451931</i>		1

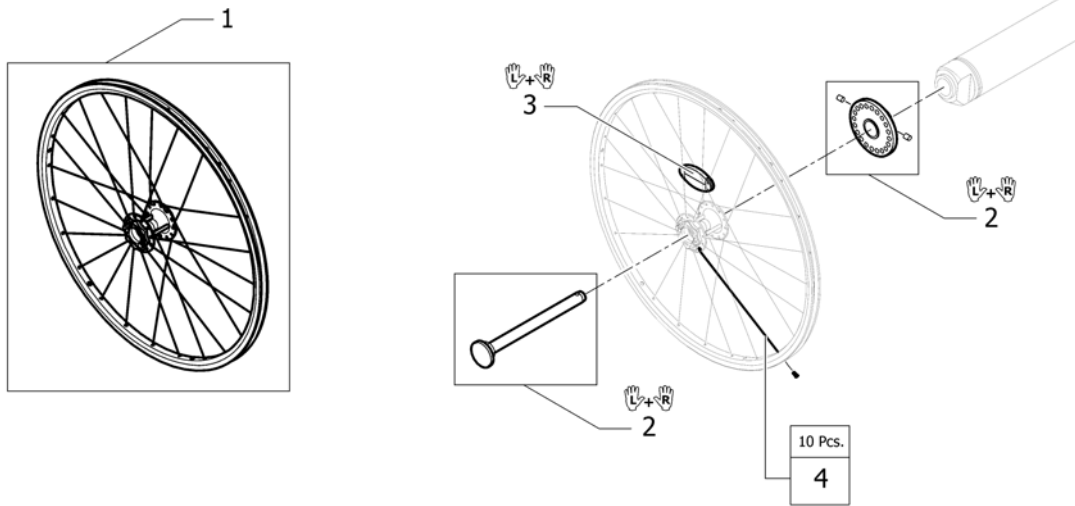


1	1562666	(Rear wheel 24", Spinergy, handrim aluminium black, tyre light wall)	14.05.2012 → 31.12.2013	2
2	1562667	(Rear wheel 25", Spinergy, handrim aluminium black, tyre Marathon Evolution)	14.05.2012 → 31.12.2013	2
3	1570426	Wiel 24'Spinergy ex.hoe pel/band/as ps Kusch	14.05.2012 → 31.12.2013	2
4	1525128	Kusch velg 25'spinergy ps	14.05.2012 → 31.12.2013	2
5	1579092	(Spoke for Spinergy wheel 24", 1 Pcs.)	14.05.2012 → 31.12.2013	36
6	1571088	(Spoke reflection for Spinergy wheel, pair) <i>Replaces 1451931</i>	14.05.2012 → 31.12.2013	2

(Spinergy LXK wheel)










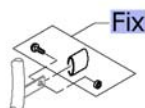
1	1579101	(Rear wheel 24", Spinergy LXK, handrim aluminium black, tyre Schwalbe One)	2
2	1579105	Kusch Spinergy LXK wiel 24'+alu zw.+mara.evo.ps	2
3	1579102	Kusch velg 24'spinergy LXK ps	2
4	1579103	(Spoke inside for Spinergy LXK wheel 24", 236mm., 1 Pcs.)	9
5	1579104	(Spoke outside for Spinergy LXK wheel 24", 249mm., 1 Pcs.)	9
6	1571088	(Spoke reflection for Spinergy wheel, pair)	1



1	1570645	(Hub brake wheel 24" without handrim, without tyre)	2
2	1570651	(Mounting kit with Quickrelease for Hub brake, pair)	1
3	1571073	(Spokereflection, pair) <i>Replaces 220.1033</i>	1
4	1579088	(Spokes kit for Hub brake wheel 24", 10 Pcs.)	1

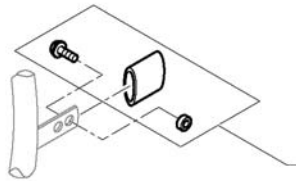
(Handrim)

		3cm		4cm				4cm		4cm		4cm		4cm		4cm		
		22"	24"	25"	26"	22"	24"	25"	26"	24"	24"	26"	22"	24"	26"	24"	25"	
 Küschall wheel	3cm	-	-	-	-	5	6	7	8	9	10	11	12	13	14	15	16	
	4cm	1	2	3	4	-	-	-	-	-	-	-	12	13	14	15	16	
 High Performance	3cm	-	-	-	-	6	7	-	-	9	10	-	-	-	13	-	15	16
	4cm	-	2	3	-	-	-	-	-	-	-	-	-	-	13	-	15	16
 Mountainbike	3cm	-	-	-	-	5	-	-	-	-	-	-	12	-	-	-	-	
	4cm	1	-	-	-	-	-	-	-	-	-	-	12	-	-	-	-	
 Spinerigy	3cm	-	-	-	-	6	7	-	-	9	10	-	-	13	-	15	16	
	4cm	-	2	3	-	-	-	-	-	-	-	-	-	13	-	15	16	
 Spinerigy LXX	3cm	-	-	-	-	6	-	-	-	9	10	-	-	13	-	15	-	
	4cm	-	2	-	-	-	-	-	-	-	-	-	-	13	-	15	-	
 Ultra Light Fibre	3cm	-	-	-	-	6	-	-	-	9	10	-	-	13	-	15	-	
	4cm	-	2	-	-	-	-	-	-	-	-	-	-	13	-	15	-	
 Hub brake wheel	3cm	-	-	-	-	6	-	-	-	9	10	-	-	13	-	15	-	
	4cm	-	2	-	-	-	-	-	-	-	-	-	-	13	-	15	-	



Fix	-	(Fixation handrim)	1
1	1568700	(Handrim 22" Alu, 4cm) <i>Replaces 457.1023</i>	2
2	1568702	Hoepel 24'alu geelox. light 4cm ps Kusch <i>Replaces 1432287-0005</i>	2
3	1568708	(Handrim 25" Alu light for high performance, 4cm) <i>Replaces 1420890-0005</i>	2
4	1568709	(Handrim 26" Alu, 4cm) <i>Replaces 457.1043</i>	2
5	1568713-0411	(Handrim 22" Aluminium, black, distance 3cm)	2
6	1568714-0411	Hoepel 24' alu afst.3cm zwart >01/07/2013 ps	2
7	1568730-0411	(Handrim 25" Aluminium, black, distance 3cm)	2
8	1568731-0411	(Handrim 26" Aluminium, black, distance 3cm)	2
9	1568716	(Handrim 24" Titanium, distance 3cm)	2
10	1568715	(Handrim 24" steel polished, distance 3cm)	2
11	1568777	(Handrim 26" steel polished, distance 3cm)	2
12	1568701	(Handrim 22" Super-Grip) <i>Replaces 457.1045.429</i>	2
13	1568703	Hoepel 24'supergrip ps Kusch <i>Replaces 457.1017.429</i>	2
14	1568710	(Handrim 26" Super-Grip) <i>Replaces 457.1046.429</i>	2
15	1556916	Hoepel 24'surge LT Kusch ps	2
16	1556917	Hoepel 25'surge LT Kusch ps	2



01.07.2013 →
01.07.2013 →
01.07.2013 →

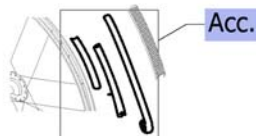


		Aluminium		Titanium		Steel		Supergrip		Surge	
	3cm	-	-	1	1	1	1	1	1	3	3
	4cm	2	3	-	-	-	-	-	-	-	-
	3cm	-	-	4	4	4	4	4	4	6	4
	4cm	5	6	-	-	-	-	-	-	-	-
	3cm	-	-	7	7	-	-	-	7	7	-
	4cm	8	9	-	-	-	-	-	-	-	-
	3cm	-	-	7	7	-	7	-	7	9	-
	4cm	8	-	-	-	-	-	-	-	-	-
	3cm	-	-	4	4	-	4	-	4	6	-
	4cm	5	-	-	-	-	-	-	-	-	-
	3cm	-	-	4	4	-	4	-	4	6	-
	4cm	5	-	-	-	-	-	-	-	-	-
	3cm	4	4	4	4	4	4	4	4	6	4
	4cm	5	6	-	-	-	-	-	-	-	-

1	1495958	Kusch hoepel bev.set 3cm set voor 1 wiel	2
2	1495959	Kusch hoepel bev.set 4cm set voor 1 wiel	2
3	1495961	(Fixation kit handrim, 4 cm with spokes guard)	2
4	1496019	(Fixation kit handrim for High Performance wheel, 3 cm)	2
5	1496020	(Fixation kit handrim for High Performance wheel, 4 cm)	2
6	1497111	(Fixation kit handrim for High Performance wheel, 4 cm with spokes guard)	2
7	1496015	(Fixation kit handrim for Mountain bike wheel, 3 cm)	2
8	1496016	(Fixation kit handrim for Mountain bike wheel, 4 cm)	2
9	1496018	(Fixation kit handrim for Mountain bike wheel, 4 cm with spokes guard)	2

(Tyre)

	22"		24"		25"		26"		22"		24"		25"		26"	
 Küschall Räder	1	4	-	15	2	5	6	-	16	7	-	9	-	3	11	
 High Performance	-	4	12	-	-	5	6	13	-	7	14	9	-	-	-	
 Mountainbike	-	-	-	-	-	-	-	-	-	-	-	-	10	-	-	
 Spinerger	-	4	12	-	-	5	6	13	-	7	14	9	-	-	-	
 Spinerger LXX	-	4	-	-	-	5	6	-	-	7	-	9	-	-	-	
 Ultra Light Fibre	-	-	-	-	-	-	6	-	-	7	-	-	-	-	-	
 Hub brake wheel	-	4	-	-	-	5	6	-	-	7	-	9	-	-	11	



Acc.	-	(Inner tube and rim protector)	1
1	SP1590117	(Tyre Rightrun black/grey 22") <i>Replaces 1570776</i>	29.12.2015 → 2
2	1570836	(Treaded tyre 22") <i>Replaces 1493768</i>	14.05.2012 → 31.12.2013 2
3	1570837	(Solid tyre 22", light, grey) <i>Replaces 728.1031</i>	14.05.2012 → 31.12.2013 2
4	SP1590118	(Tyre Rightrun black/grey 24") <i>Replaces 1570828</i>	29.12.2015 → 2
5	1570829	(Treaded Tyre 24") <i>Replaces 728.1002</i>	2
6	1570838	Kusch buba Marathon Evolution Schwalbe 24'ps <i>Replaces 1438521</i>	2
7	1578802	(Tyre 24" Schwalbe One) <i>Replaces 1528649</i>	20.11.2013 → 2
8	1562581	(Tyre 24" Rightrun blue)	2
9	1570830	(Tyre Mountain bike, 24") <i>Replaces 1420887</i>	2
10	1570839	BUBA 24" SEMI-PN.LICHT GRIJS PS KUSCH <i>Replaces 728.1032</i>	2
11	SP1590412	(Tyre Rightrun black/grey 25") <i>Replaces 1570833</i>	29.12.2015 → 2
12	1570841	Kusch buba marathon Evolution Schwalbe 25'ps <i>Replaces 1493769</i>	2
13	1578803	(Tyre 25" Schwalbe One) <i>Replaces 1528650</i>	20.11.2013 → 2
14	SP1590119	(Tyre Rightrun black/grey 26") <i>Replaces 1570834</i>	29.12.2015 → 2
15	1570842	(Tyre 26" Marathon Evolution) <i>Replaces 1517977</i>	2















(Inner tube and rim protector)

		22"				24"				26"						
		22"	24"	25"	26"	22"	24"	24"	25"	26"	24"	25"	24"	24"	22"	24"
Küschall Räder	A	1	2	-	6	1	2	2	-	6	2	-	2	-	-	-
	B	7	8	-	10	7	8	8	-	10	8	-	8	-	7	8
High Performance	A	-	2	5	-	-	2	2	5	-	2	5	2	-	-	-
	B	-	9	9	-	-	9	9	9	-	9	9	9	-	-	-
Mountainbike	A	-	-	-	-	-	-	-	-	-	-	-	-	4	-	-
	B	-	-	-	-	-	-	-	-	-	-	-	-	7	-	-
Spinergy	A	-	2	5	-	-	2	2	5	-	2	5	2	-	-	-
	B	-	9	9	-	-	9	9	9	-	9	9	9	-	-	9
Spinergy LXX	A	-	2	-	-	-	2	2	-	-	2	-	2	-	-	-
	B	-	9	-	-	-	9	9	-	-	9	-	9	-	-	-
Ultra Light Fibre	A	-	-	-	-	-	-	3	-	-	3	-	-	-	-	-
	B	-	-	-	-	-	-	9	-	-	9	-	-	-	-	-
Hub brake wheel	A	-	2	-	-	-	2	2	-	-	2	-	2	-	-	-
	B	-	9	-	-	-	9	9	-	-	9	-	9	-	-	-

Inner Tube (A)
Rim protector (B)

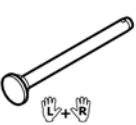
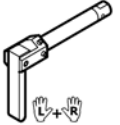







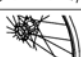
1	1570848	(Inner Tube 22" x 1") <i>Replaces 727.1007</i>	14.05.2012 → 31.12.2013	2
2	1570849	Biba 24'x1 ps Kusch <i>Replaces 727.1002</i>		2
3	1550284	Biba 24'Ultra-Light fibre wiel ps Kusch	14.05.2012 → 31.12.2013	2
4	1570852	(Inner tube for Mountain bike) <i>Replaces 1420884</i>		2
5	1570851	Biba 26'ps Kusch <i>Replaces 1430886</i>		2
6	1570850	(Inner Tube 26" x 1") <i>Replaces 727.1003</i>		2
7	1570844	(Rim protection 22") <i>Replaces 726.1005</i>		2
8	1570845	(Rim protection 24" Large) <i>Replaces 726.1008.000</i>		2
9	1495962	(Rim Protection for High Performance / Spinergy wheel)		2
10	1570846	(Rim protection 26") <i>Replaces 726.1003</i>		2
11	1571072	(Rear wheel inset anti-flat for 20,22,24,26" tyre) <i>Replaces 1424917</i>		2

(Spokes guard)

							
	22"	24"	26"	24"	24"	24"	24"
 Küschall wheel	1	2	3	4	5	6	7
 High Performance	-	2	-	4	5	6	7
 Mountainbike	1	-	-	-	-	-	-
 Spinergy	-	2	-	4	5	6	7
 Spinergy LXX	-	-	-	-	-	-	-
 Ultra Light Fibre	-	-	-	-	-	-	-
 Hub brake wheel	-	2	-	4	5	6	7

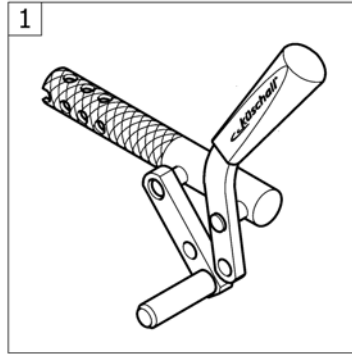
1	1564453	(Spokes guard Transparent 22") <i>Replaces 736.1005</i>	2	
2	1564457	Spaakbesch.24'transp.ps Kusch <i>Replaces 736.1004</i>	2	
3	1564492	(Spokes guard Transparent 26") <i>Replaces 736.1003</i>	2	
4	1564456	Spaakbesch.24"zwart ps Küschall <i>Replaces 736.1002</i>	2	
5	1564459	(Spokes guard Carbon 24") <i>Replaces 736.1014</i>	14.05.2012 → 31.12.2013	2
6	1564462	(Spokes guard Switzerland 24") <i>Replaces 1497108</i>	14.05.2012 → 30.06.2013	2
7	1564463	(Spokes guard Pirates 24") <i>Replaces 1497109</i>	14.05.2012 → 31.12.2012	2

(Quick release axle and bearing)

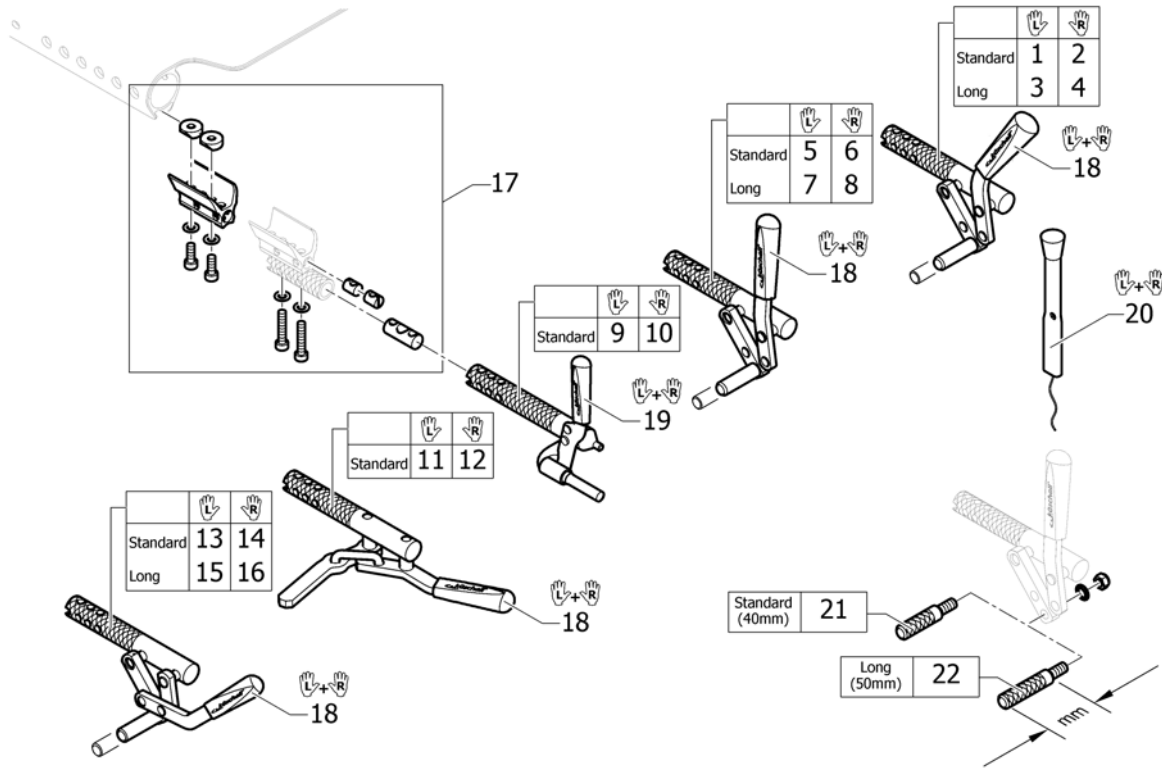
			
 Küschall wheel	1	2	6
 High Performance	1	2	6
 Mountainbike	1	2	6
 Spinergy	3	4	6
 Spinergy LXX	3	-	6
 Ultra Light Fibre	5	2	6
 Hub brake wheel	3	4	6

1	1509137-0001	(Quick release axles long with cap, pair, chrome)		1
1	1509137-0004	(Quick release axles long with cap, pair, black)		1
1	1509137-0182	(Quick release axles long with cap, pair, champagne)	01.01.2013 →	1
1	1509137-0183	(Quick release axles long with cap, pair, olive)	01.01.2013 → 31.12.2014	1
1	1509137-0400	(Quick release axles long with cap, pair, tecno anthracite)		1
1	1509137-0404	(Quick release axles long with cap, pair, b-blue)	14.05.2012 → 31.12.2014	1
1	1509137-0407	Kusch achterw.as qr+ afdekkap kleurloos pp		1
1	1509137-0440	(Quick release axles long with cap, pair, comet red)		1
1	1509137-0441	(Quick release axles long with cap, pair, arctic blue)		1
1	1509137-0444	Kusch achterw.as qr+ afdekkap copper glaze pp	14.05.2012 → 31.12.2014	1
2	1493755	Kusch achterw.as qr+ tetra clip pp		1
3	1507627	Kusch achterw.as tbv. Spinergy wiel pp		1
4	1512029	Kusch achterw.as tetra lang tbv.spinergy pp		1
5	1547629	(Quick release axles long with cap, pair, polished)		1
6	1571069	(Bearing R8-2RS 1/2"/1.1/8"x5/16", pair) <i>Replaces 5719103</i>		2

(BRAKES)

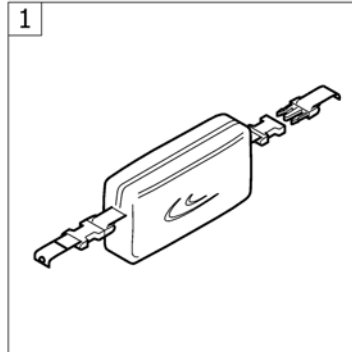


(Brakes)



1	1562583	Advance rem gebogen li ex.bev.	1
2	1562584	Advance rem gebogen re ex.bev.	1
3	1562585	(Brake, lever bent, long shoe, left)	1
4	1562586	(Brake, lever bent, long shoe, right)	1
5	1562587	(Brake, straight lever, left)	1
6	1562588	(Brake, straight lever, right)	1
7	1562589	(Brake, straight lever, long shoe, left)	1
8	1562590	(Brake, straight lever, long shoe, right)	1
9	1562591	Advance rem performance links ex.bev.	1
10	1562592	Advance rem performance re ex.bev.	1
11	1562593	(Active brake left)	1
12	1562594	(Active brake right)	1
13	1562595	(Pull brake left)	1
14	1562596	(Pull brake right)	1
15	1562597	(Pull brake, long shoe left)	1
16	1562598	(Pull brake, long shoe right)	1
17	1562599	(Clamping piece to brake, set)	2
18	1513177	Kusch remhendelhoes pp	1
19	1513178	(Brake handle for performance brake, pair)	1
20	1513179	Kusch remverlenger pp	1
21	1579328	(Brake shoe standard (40mm), kit 4 Pcs.) <i>Replaces 500.1045 (4x)</i>	1
22	1579329	(Brake shoe long (50mm), kit 4 Pcs.) <i>Replaces 500.1013 (4x)</i>	1

(SEAT ACCESSORIES)

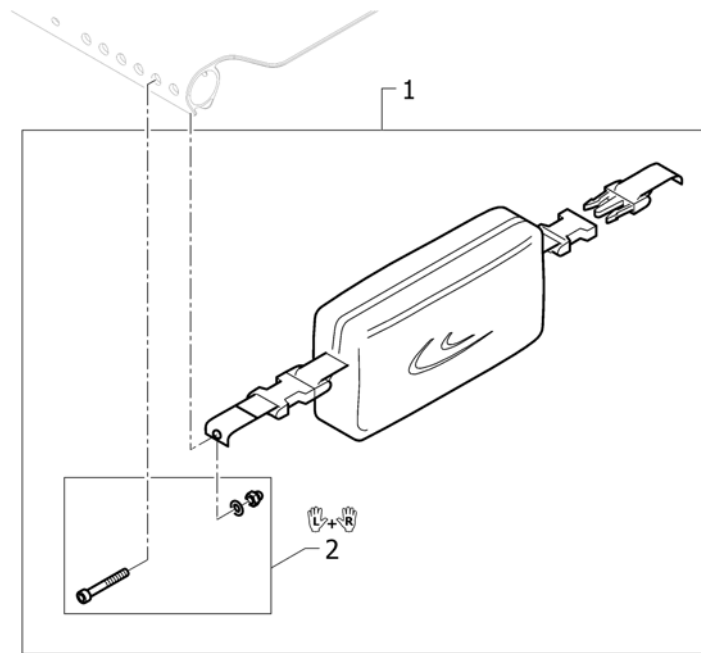


1 -

(Seat bag)

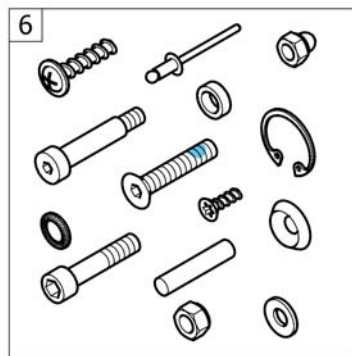
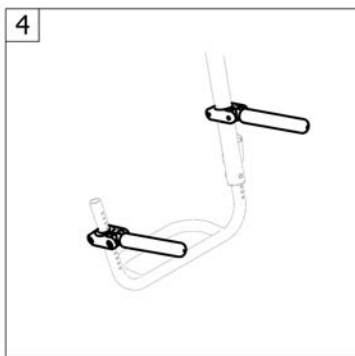
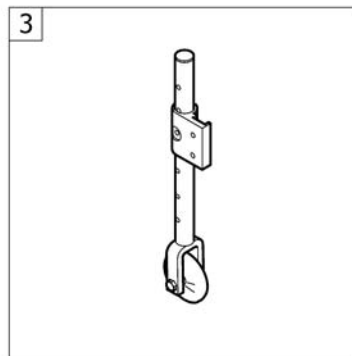
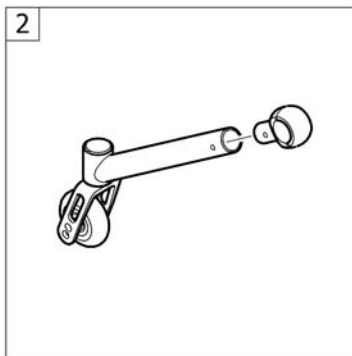
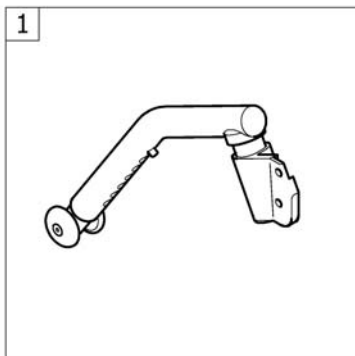
1

(Seat bag)



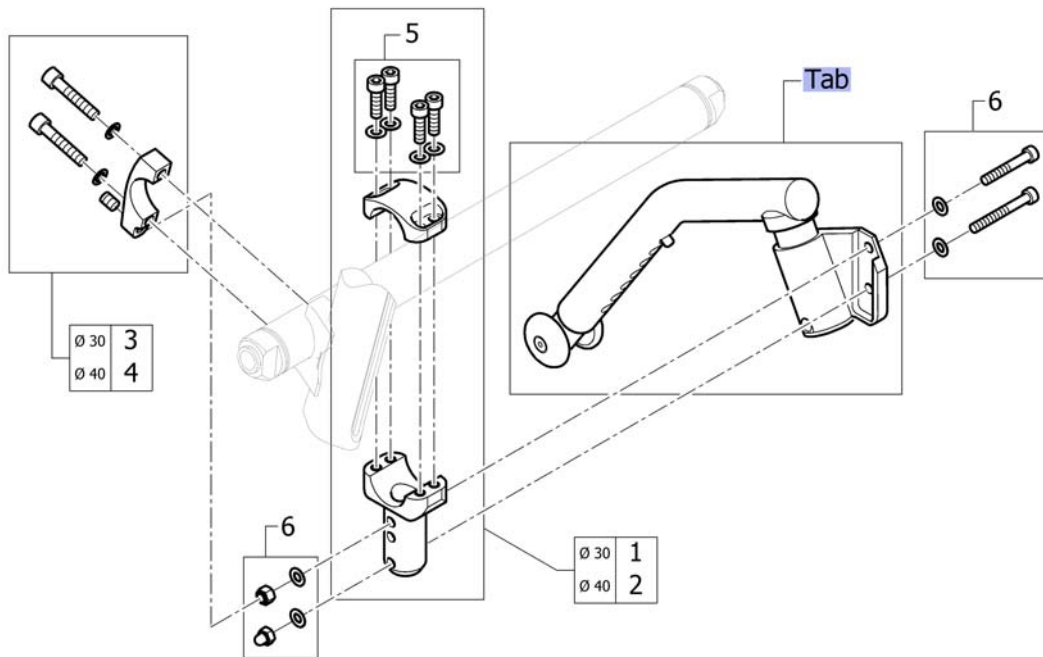
1	1562607	(Seat bag)	1
2	1562608	(Fixation kit to seat bag)	1

(OPTIONS & ACCESSORIES)



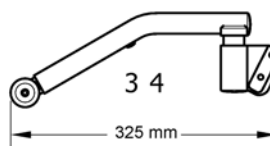
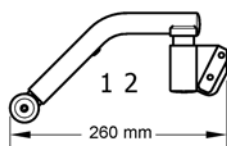
1	-	(Antitipper)	1
2	-	(Active Antitipper)	1
3	-	(Transit wheel)	1
4	-	(Luggage holder)	1
5	-	(Chair accessories)	1
6	-	(Fixation: screws, ...)	1

(Antitipper)



Tab	-	(Antitipper with configurations)	1
1	1562617	Kusch anti-tip bev.klem 30mm as cpl ps Advance	1
2	1562618	(Adaption holder for Vario-Ax Ø40, complete)	1
3	SP1590028	(Axle holder with stop for adaptation, Ø30)	1
4	SP1590029	(Axle holder with stop for adaptation, Ø40)	1
5	1562619	(Fixation kit for adaption holder)	1
6	1562621	(Fixation kit for adaptations)	1

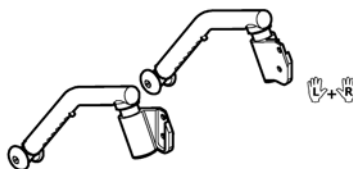
(Antitipper with configurations)



Rear wheel size	SB34	SB36 - SB46
22" - 25"	1	3
26"	-	3



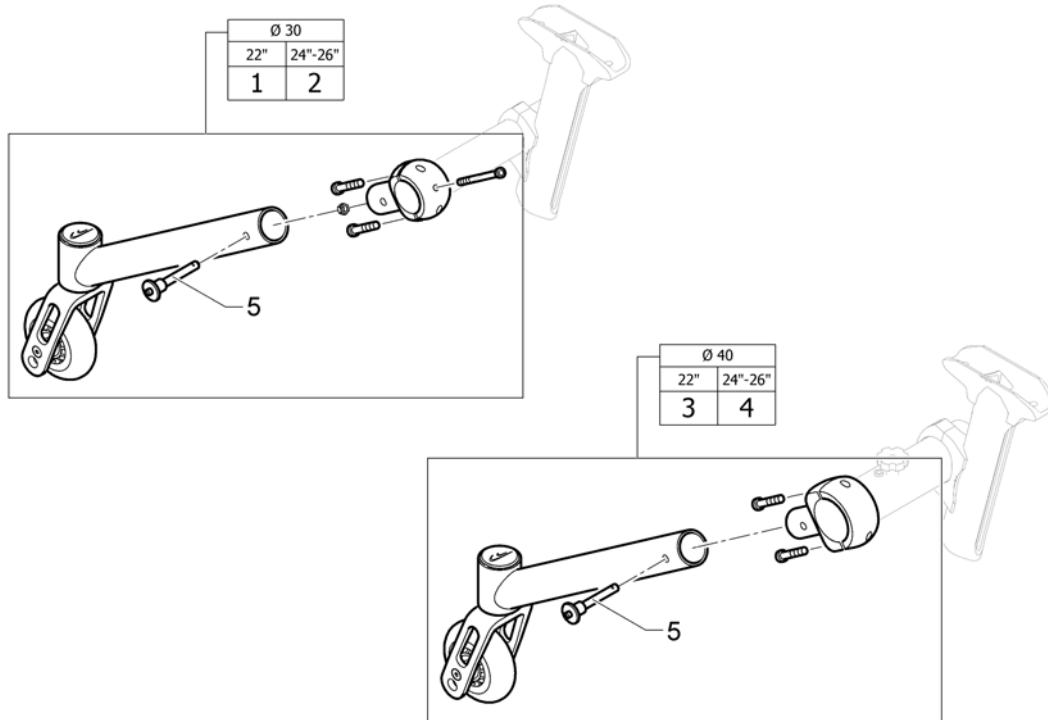
Rear wheel size	SB34	SB36 - SB46
22" - 25"	2	4
26"	-	4



Rear wheel size	SB34 - SB36	SB38 - SB46
22" - 25"	1 + 2	3 + 4
26"	-	3 + 4

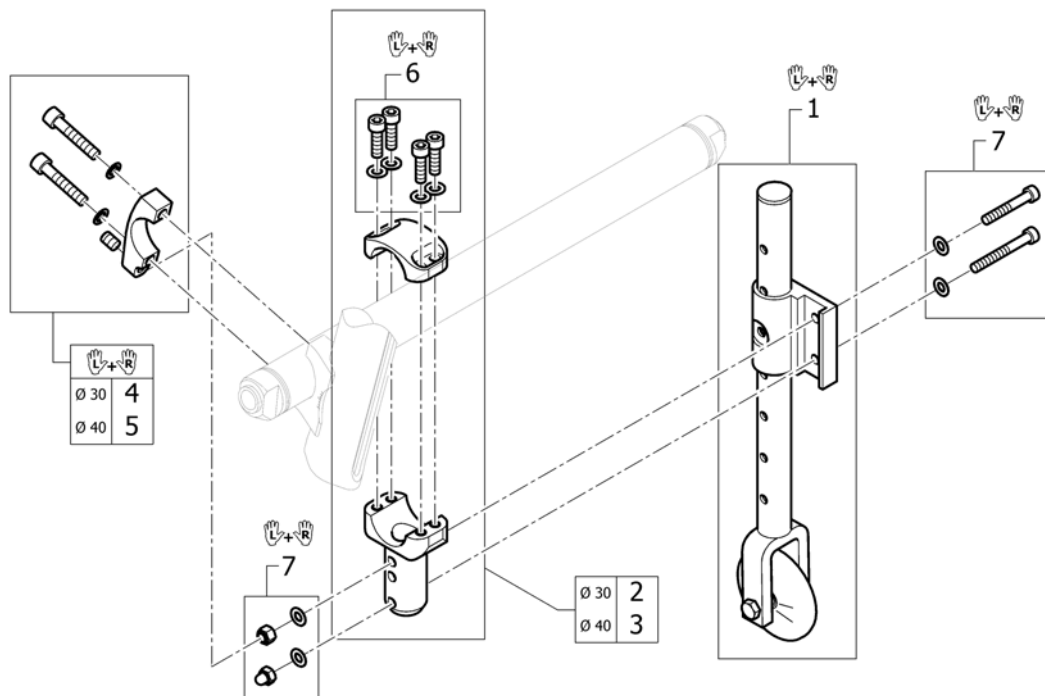
1	SP1590076	(Antitipper short left)	1
2	SP1590077	(Antitipper short right)	1
3	SP1590078	(Antitipper long left)	1
4	SP1590079	(Antitipper long right)	1

(Active Antitipper)



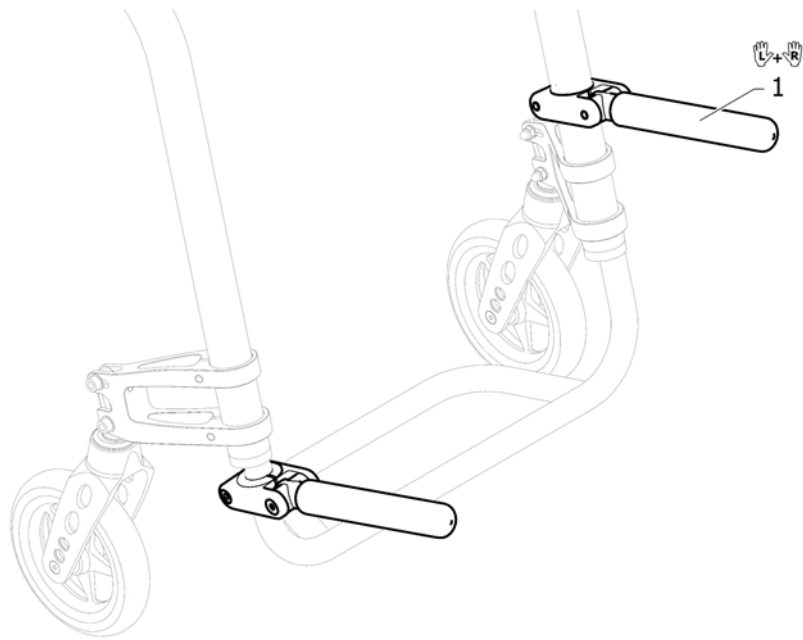
1	1517871	(Active Antitipper, for standard axle Ø30 for 20" and 22" wheels)	1
2	1517873	Kusch anti-tip 30mm tbv. as std.akt.Comp/K-Serie	1
3	1517872	(Active Antitipper, for Vario-Ax Ø40 for 20" and 22" wheels)	1
4	1517874	Kusch anti-tip 40mm.tbv. vario-as akt.Comp/K-Seri	1
5	1517877	K-Serie G3 active anti tip QR as ps	1

(Transit wheel)



1	1451791	K-Serie G3 transitwielen cpl pp	1
2	1562617	Kusch anti-tip bev.klem 30mm as cpl ps Advance	2
3	1562618	(Adaption holder for Vario-Ax Ø40, complete)	2
4	SP1590081	(Axle holder with stop for adaptation, Ø30, pair)	1
5	SP1590089	(Axle holder with stop for adaptation, Ø40, pair)	1
6	1562620	(Fixation kit for adaption holder, pair)	1
7	1562622	(Fixation kit for adaptions, pair)	1

(Luggage holder)

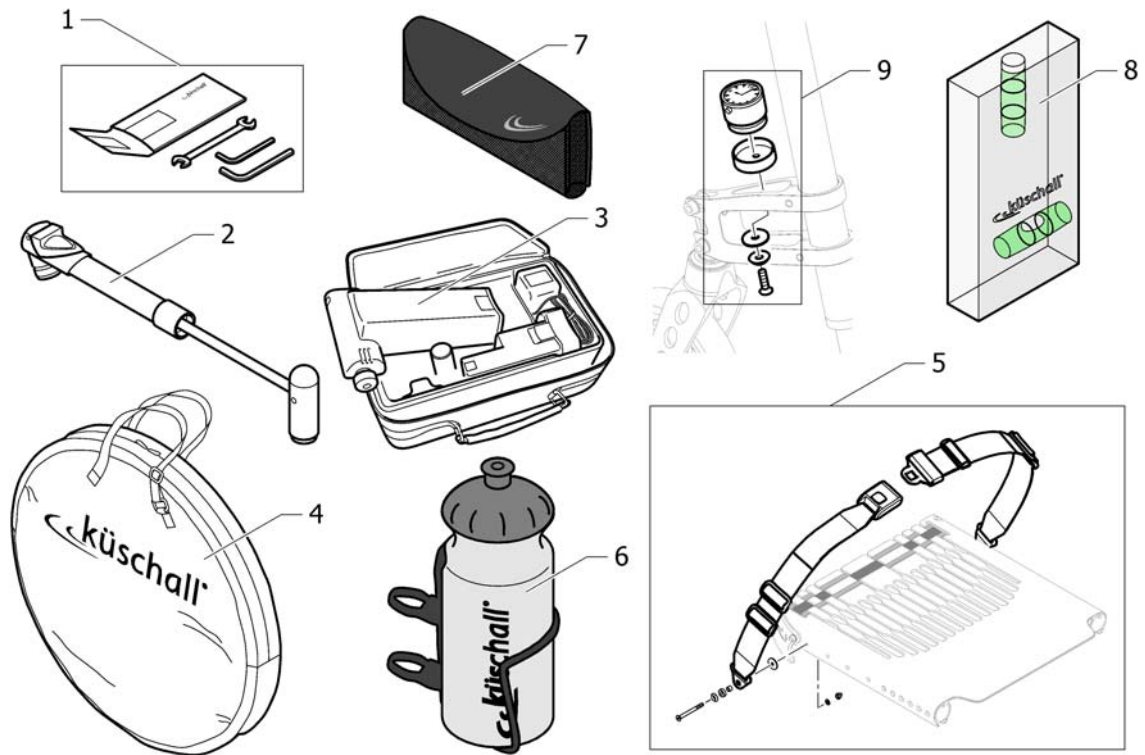


1 1547626

K-Serie G3 bagagehouder op frame voorzijde pp

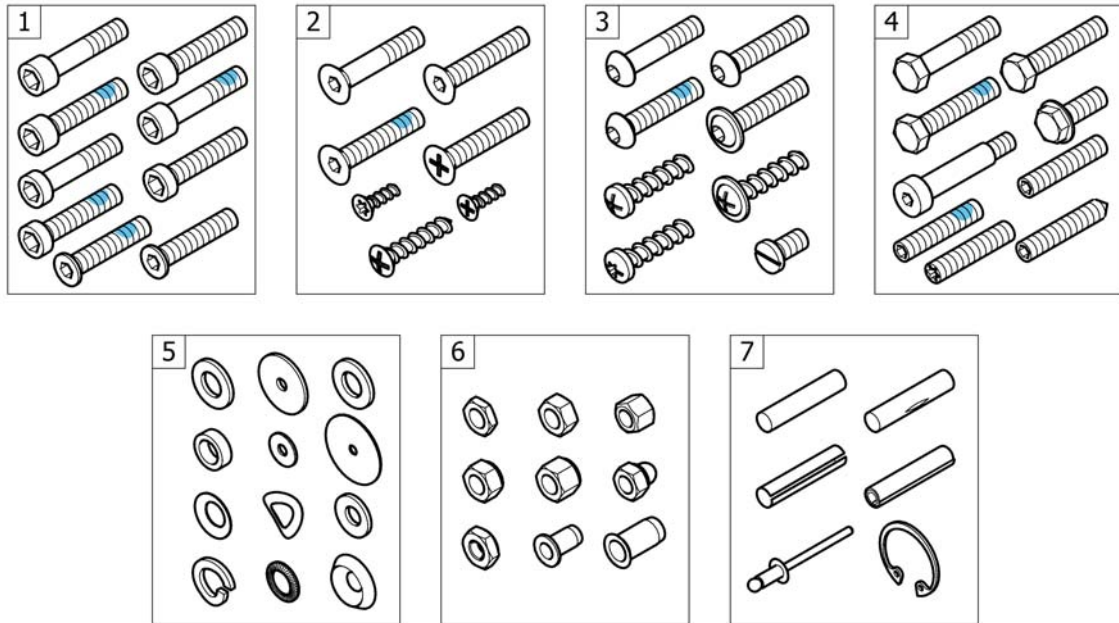
1

(Chair accessories)



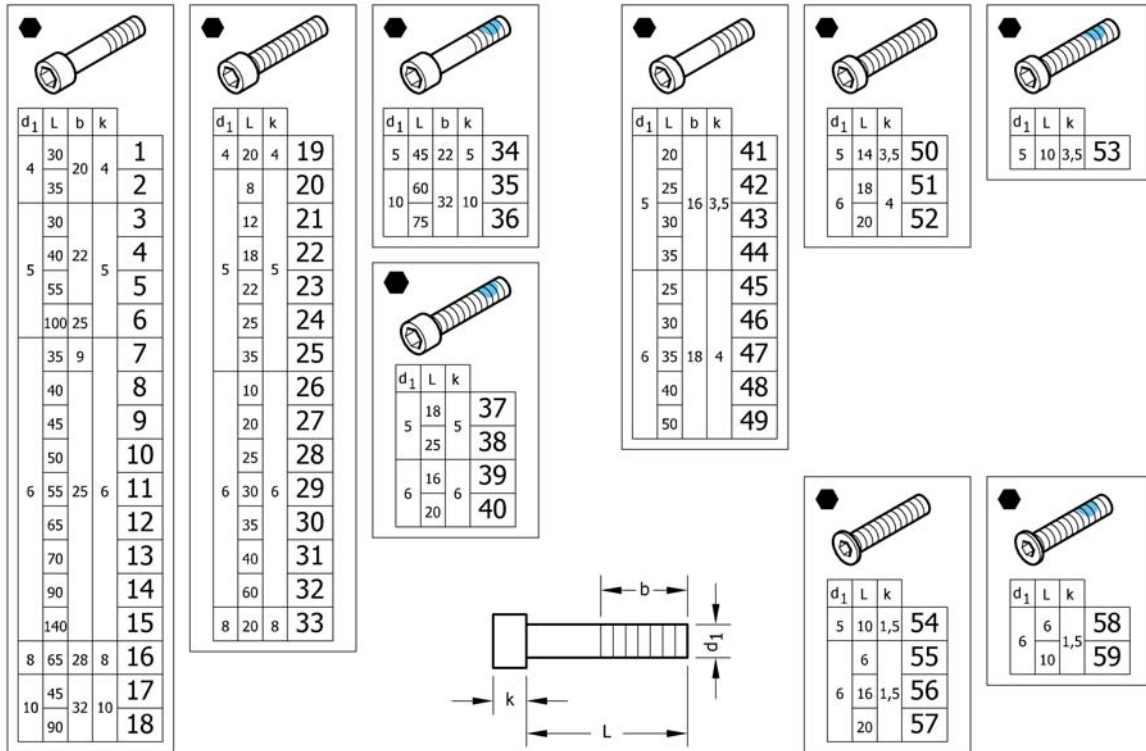
1	1518285	Küschall gereedschapset cpl		1
2	1517924	Kusch pomp ps		1
3	1518286	Kusch airman		1
4	1518287	Kusch reistas voor achterwielen (24/25/26')		1
5	1567137	(Seat belt)	01.01.2013 →	1
6	1547625	Kusch bidonhouder		1
7	1547622	K-Serie G3 telefoonhouder		1
8	1567762	(Spirit level)	01.01.2013 →	1
9	SP1601739	(Küschall watch mounted on front wheel supporter, kit)	01.01.2016 →	1

(Fixation: screws, ...)



1	-	(Socket head cap screws)	1
2	-	(Countersunk screws)	1
3	-	(Button head screws)	1
4	-	(Hex-head screws, diverse, ...)	1
5	-	(Washers)	1
6	-	(Nuts)	1
7	-	(Pins, rivets, ...)	1

(Socket head cap screws)



1	1579115	(Hex socket head cap screws partially threaded, zi.Blue, M4x30, kit 25 Pcs.) <i>Replaces 1560191 (25x)</i>	1
2	1579116	(Hex socket head cap screws partially threaded, zi.Blue, M4x35, kit 25 Pcs.) <i>Replaces 1563765 (25x)</i>	1
3	1579117	(Hex socket head cap screws partially threaded, black, M5x30, kit 25 Pcs.) <i>Replaces 100.1091 (25x)</i>	1
4	1579118	(Hex socket head cap screws partially threaded, black, M5x40, kit 25 Pcs.) <i>Replaces 100.1093 (25x)</i>	1
5	1579119	(Hex socket head cap screws partially threaded, black, M5x55, kit 25 Pcs.) <i>Replaces 100.1096 (25x)</i>	1
6	1579120	(Hex socket head cap screws partially threaded, black, M5x100, kit 10 Pcs.) <i>Replaces 1425240 (10x)</i>	1
7	1579121	(Hex socket head cap screws partially threaded, black, M6x35, kit 5 Pcs.) <i>Replaces 107.1001 (5x)</i>	1
8	1579122	(Hex socket head cap screws partially threaded, black, M6x40, kit 25 Pcs.) <i>Replaces 100.1133 (25x)</i>	1
9	1579123	(Hex socket head cap screws partially threaded, black, M6x45, kit 25 Pcs.) <i>Replaces 100.1134 (25x)</i>	1
10	1579124	(Hex socket head cap screws partially threaded, black, M6x50, kit 25 Pcs.) <i>Replaces 100.1135 (25x)</i>	1
11	1579125	(Hex socket head cap screws partially threaded, black, M6x55, kit 25 Pcs.) <i>Replaces 100.1136 (25x)</i>	1
11	1579126	(Hex socket head cap screws partially threaded, zi.Blue, M6x55, kit 25 Pcs.) <i>Replaces ZM006551A (25x)</i>	1
12	1579127	(Hex socket head cap screws partially threaded, black, M6x65, kit 10 Pcs.) <i>Replaces 100.1138 (10x)</i>	1
13	1579128	(Hex socket head cap screws partially threaded, black, M6x70, kit 10 Pcs.) <i>Replaces 100.1139 (10x)</i>	1
14	1579129	(Hex socket head cap screws partially threaded, black, M6x90, kit 10 Pcs.) <i>Replaces 1529118 (10x)</i>	1
15	1579130	(Hex socket head cap screws partially threaded, black, M6x140, kit 10 Pcs.) <i>Replaces 1529117 (10x)</i>	1

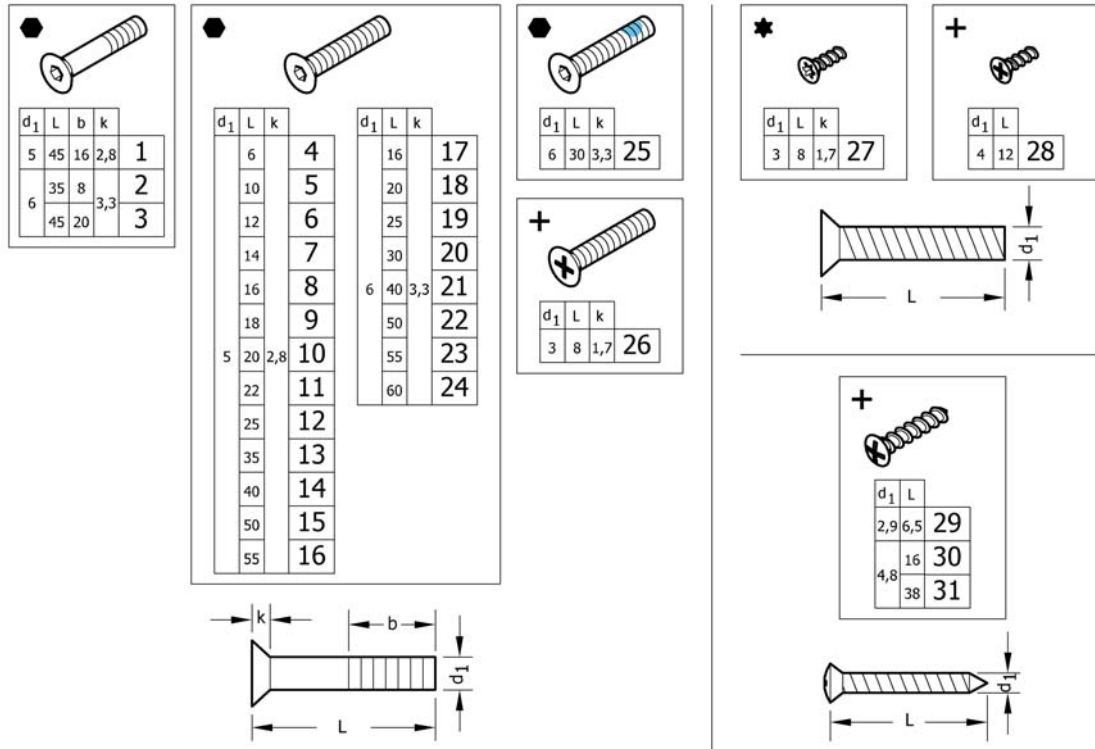
(Socket head cap screws)

16	1579131	(Hex socket head cap screws partially threaded, black, M8x65, kit 10 Pcs.) <i>Replaces 1510316 (10x)</i>	1
17	1579132	(Hex socket head cap screws partially threaded, black, M10x45, kit 2 Pcs.) <i>Replaces 1496010 (2x)</i>	1
18	1579133	(Hex socket head cap screws partially threaded, black, M10x90, kit 2 Pcs.) <i>Replaces 1496013 (2x)</i>	1
19	1579134	(Hex socket head cap screws fully threaded, black, M4x20, kit 25 Pcs.) <i>Replaces 100.1050 (25x)</i>	1
20	1579135	(Hex socket head cap screws fully threaded, black, M5x8, kit 5 Pcs.) <i>Replaces 1493753 (5x)</i>	1
21	1579136	(Hex socket head cap screws fully threaded, black, M5x12, kit 25 Pcs.) <i>Replaces 100.1084 (25x)</i>	1
22	1579137	(Hex socket head cap screws fully threaded, black, M5x18, kit 25 Pcs.) <i>Replaces 100.1087 (25x)</i>	1
23	1579138	(Hex socket head cap screws fully threaded, black, M5x22, kit 25 Pcs.) <i>Replaces 100.1089 (25x)</i>	1
24	1579139	(Hex socket head cap screws fully threaded, black, M5x25, kit 25 Pcs.) <i>Replaces 100.1090 (25x)</i>	1
25	1579140	(Hex socket head cap screws fully threaded, black, M5x35, kit 25 Pcs.) <i>Replaces 100.1092 (25x)</i>	1
26	1579141	(Hex socket head cap screws fully threaded, black, M6x10, kit 25 Pcs.) <i>Replaces 100.1123 (25x)</i>	1
27	1579142	(Hex socket head cap screws fully threaded, black, M6x20, kit 25 Pcs.) <i>Replaces 100.1128 (25x)</i>	1
28	1579143	(Hex socket head cap screws fully threaded, black, M6x25, kit 25 Pcs.) <i>Replaces 100.1130 (25x)</i>	1
29	1579144	(Hex socket head cap screws fully threaded, black, M6x30, kit 25 Pcs.) <i>Replaces 100.1131 (25x)</i>	1
30	1579145	(Hex socket head cap screws fully threaded, black, M6x35, kit 25 Pcs.) <i>Replaces 100.1132 (25x)</i>	1
31	1579146	(Hex socket head cap screws fully threaded, black, M6x40, kit 10 Pcs.) <i>Replaces 1563349 (10x)</i>	1
32	1579147	(Hex socket head cap screws fully threaded, black, M6x60, kit 10 Pcs.) <i>Replaces 100.1137 (10x)</i>	1
33	1579148	(Hex socket head cap screws fully threaded, black, M8x20, kit 10 Pcs.) <i>Replaces 1510307 (10x)</i>	1
34	1579149	(Hex sock.Head cap screws partial.Thread., black, TufLok, M5x45, kit 5 Pcs.) <i>Replaces 1496014 (5x)</i>	1
35	1579150	(Hex sock.Head cap screws partial.Thread., black, TufLok, M10x60, kit 2 Pcs.) <i>Replaces 1496011 (2x)</i>	1
36	1579151	(Hex sock.Head cap screws partial.Thread., black, TufLok, M10x75, kit 2 Pcs.) <i>Replaces 1496012 (2x)</i>	1
37	1579152	(Hex socket head cap screws fully threaded, black, TufLok, M5x18, kit 10 Pcs.) <i>Replaces 1425241 (10x)</i>	1
38	1579153	(Hex socket head cap screws fully threaded, black, TufLok, M5x25, kit 10 Pcs.) <i>Replaces 1570153 (10x)</i>	1
39	1579154	(Hex socket head cap screws full.Thread., zi.Blue, TufLok, M6x16, kit 10 Pcs.) <i>Replaces 1560219 (10x)</i>	1
40	1579155	(Hex socket head cap screws fully threaded, black, TufLok, M6x20, kit 10 Pcs.) <i>Replaces 1498775 (10x)</i>	1
41	1579156	(Hex sock.Head cap screws, low head, part.Thread., black, M5x20, kit 25 Pcs.) <i>Replaces 1438501 (25x)</i>	1
42	1579157	(Hex sock.Head cap screws, low head, part.Thread., black, M5x25, kit 25 Pcs.) <i>Replaces 1438518 (25x)</i>	1
43	1579158	(Hex sock.Head cap screws, low head, part.Thread., black, M5x30, kit 25 Pcs.) <i>Replaces 100.5090 (25x)</i>	1

(Socket head cap screws)

44	1579159	(Hex sock.Head cap screws, low head, part.Thread., black, M5x35, kit 25 Pcs.) <i>Replaces 100.5091 (25x)</i>	1
45	1579160	(Hex sock.Head cap screws, low head, part.Thread., black, M6x25, kit 25 Pcs.) <i>Replaces 1432120 (25x)</i>	1
46	1579161	(Hex sock.Head cap screws, low head, part.Thread., black, M6x30, kit 25 Pcs.) <i>Replaces 100.5130 (25x)</i>	1
47	1579162	(Hex sock.Head cap screws, low head, part.Thread., black, M6x35, kit 25 Pcs.) <i>Replaces 1438504 (25x)</i>	1
48	1579163	(Hex sock.Head cap screws, low head, part.Thread., black, M6x40, kit 25 Pcs.) <i>Replaces 100.5132 (25x)</i>	1
49	1579164	(Hex sock.Head cap screws, low head, part.Thread., black, M6x50, kit 25 Pcs.) <i>Replaces 100.5134 (25x)</i>	1
50	1579165	(Hex sock.Head cap screws, low head, part.Thread., black, M5x14, kit 25 Pcs.) <i>Replaces 100.5085 (25x)</i>	1
51	1579166	(Hex sock.Head cap screws, low head, part.Thread., black, M6x18, kit 25 Pcs.) <i>Replaces 100.5126 (25x)</i>	1
52	1579167	(Hex sock.Head cap screws, low head, part.Thread., black, M6x20, kit 25 Pcs.) <i>Replaces 100.5127 (25x)</i>	1
53	1579168	(Hex soc.Head cap scr., low head, part.Threa., bl., TufL., M5x10, kit 10 Pcs.) <i>Replaces 1496026 (10x)</i>	1
54	1579169	(Hex socket head cap screws, special low head, black, M5x10, kit 25 Pcs.) <i>Replaces 1437290 (25x)</i>	1
55	1579170	(Hex socket head cap screws, special low head, black, M6x6, kit 25 Pcs.) <i>Replaces 1425182 (25x)</i>	1
56	1579171	(Hex socket head cap screws, special low head, black, M6x16, kit 25 Pcs.) <i>Replaces 1541181 (25x)</i>	1
57	1579172	(Hex socket head cap screws, special low head, black, M6x20, kit 25 Pcs.) <i>Replaces 107.1022 (25x)</i>	1
58	1579173	(Hex socket head cap screws, spec.Low head, black, TufLok, M5x6, kit 10 Pcs.) <i>Replaces 1532039 (10x)</i>	1
59	1579174	(Hex socket head cap screws, spec.Low head, black, TufLok, M6x10, kit 10 Pcs.) <i>Replaces 1420946 (10x)</i>	1

(Countersunk screws)

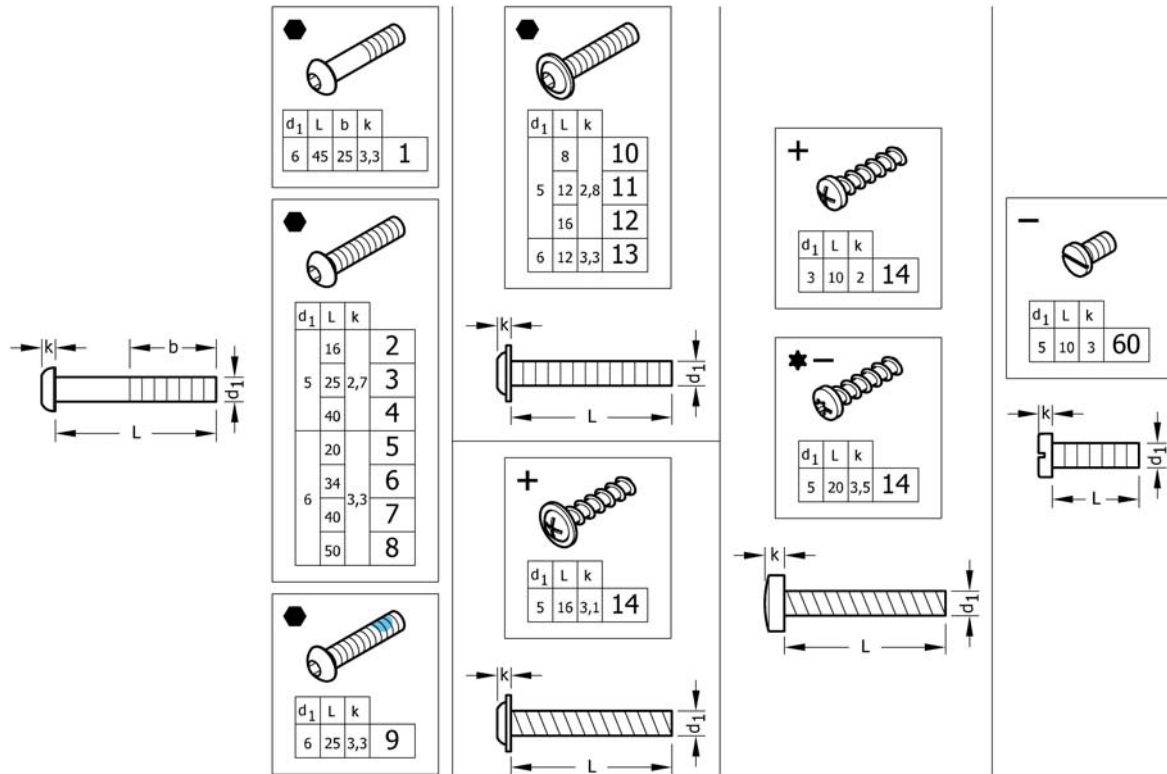


1	1579175	(Countersunk head screws partially threaded, Black, M5x45, kit 10 Pcs.) <i>Replaces 1438773 (10x)</i>	1
2	1579176	(Countersunk head screws partially threaded, Black, M6x35, kit 10 Pcs.) <i>Replaces 107.1004 (10x)</i>	1
3	1579177	(Countersunk head screws partially threaded, Black, M6x45, kit 10 Pcs.) <i>Replaces 100.3133 (10x)</i>	1
4	1579178	(Countersunk head screws fully threaded, Black, M5x6, kit 25 Pcs.) <i>Replaces 1445273 (25x)</i>	1
5	1579179	(Countersunk head screws fully threaded, Black, M5x10, kit 25 Pcs.) <i>Replaces 100.3082 (25x)</i>	1
6	1579180	(Countersunk head screws fully threaded, Black, M5x12, kit 25 Pcs.) <i>Replaces 1438999 (25x)</i>	1
7	1579181	(Countersunk head screws fully threaded, Black, M5x14, kit 25 Pcs.) <i>Replaces 107.1015 (25x)</i>	1
8	1579182	(Countersunk head screws fully threaded, Black, M5x16, kit 25 Pcs.) <i>Replaces 100.3085 (25x)</i>	1
9	1579183	(Countersunk head screws fully threaded, Black, M5x18, kit 25 Pcs.) <i>Replaces 100.3086 (25x)</i>	1
10	1579184	(Countersunk head screws fully threaded, Black, M5x20, kit 25 Pcs.) <i>Replaces 100.3087 (25x)</i>	1
11	1579185	(Countersunk head screws fully threaded, Black, M5x22, kit 25 Pcs.) <i>Replaces 1416930 (25x)</i>	1
12	1579186	(Countersunk head screws fully threaded, Black, M5x25, kit 25 Pcs.) <i>Replaces 100.3089 (25x)</i>	1
13	1579187	(Countersunk head screws fully threaded, Black, M5x35, kit 25 Pcs.) <i>Replaces 100.3091 (25x)</i>	1
14	1579188	(Countersunk head screws fully threaded, Black, M5x40, kit 25 Pcs.) <i>Replaces 1432148 (25x)</i>	1
15	1579189	(Countersunk head screws fully threaded, Black, M5x50, kit 25 Pcs.) <i>Replaces 100.3094 (25x)</i>	1
16	1579190	(Countersunk head screws fully threaded, Black, M5x55, kit 25 Pcs.) <i>Replaces 100.3095 (25x)</i>	1
17	1579191	(Countersunk head screws fully threaded, Black, M6x16, kit 25 Pcs.) <i>Replaces 100.3125 (25x)</i>	1
18	1579192	(Countersunk head screws full.Threaded, zinc flake coat., M6x20, kit 25 Pcs.) <i>Replaces 100.3127 (25x)</i>	1

(Countersunk screws)

18	1579193	(Countersunk head screws fully threaded, Black, M6x20, kit 25 Pcs.) <i>Replaces 1437809 (25x)</i>	1
19	1579194	(Countersunk head screws fully threaded, Black, M6x25, kit 25 Pcs.) <i>Replaces 100.3129 (25x)</i>	1
20	1579195	(Countersunk head screws fully threaded, Black, M6x30, kit 25 Pcs.) <i>Replaces 100.3130 (25x)</i>	1
21	1579196	(Countersunk head screws fully threaded, Black, M6x40, kit 25 Pcs.) <i>Replaces 100.3132 (25x)</i>	1
22	1579197	(Countersunk head screws fully threaded, Black, M6x50, kit 25 Pcs.) <i>Replaces 100.3134 (25x)</i>	1
23	1579198	(Countersunk head screws fully threaded, Black, M6x55, kit 25 Pcs.) <i>Replaces 100.3135 (25x)</i>	1
24	1579199	(Countersunk head screws fully threaded, Black, M6x60, kit 25 Pcs.) <i>Replaces 100.3136 (25x)</i>	1
25	1579200	(Countersunk head screws fully threaded, Black, TufLok, M6x30, kit 25 Pcs.) <i>Replaces 1550479 (25x)</i>	1
26	1579201	(Countersunk head screws fully threaded, zi.Blue, M3x8, kit 25 Pcs.) <i>Replaces 1529279 (25x)</i>	1
27	1579202	(Countersunk head PT screws, Torx, stainless steel, 3x8, kit 25 Pcs.) <i>Replaces 1529278 (25x)</i>	1
28	1579203	(Countersunk head PT screws, Black, KA40x12, kit 25 Pcs.) <i>Replaces 1438513 (25x)</i>	1
29	1579204	(Countersunk head tapping screws with cone end, Black, ST2,9x6,5, kit 25 Pcs.) <i>Replaces 126.5041 (25x)</i>	1
30	1579205	(Countersunk head tapping screws with cone end, Black, ST4,8x16, kit 25 Pcs.) <i>Replaces 126.5202 (25x)</i>	1
31	1579206	(Countersunk head tapping screws with cone end, Black, ST4,8x38, kit 25 Pcs.) <i>Replaces 126.5207 (25x)</i>	1

(Button head screws)

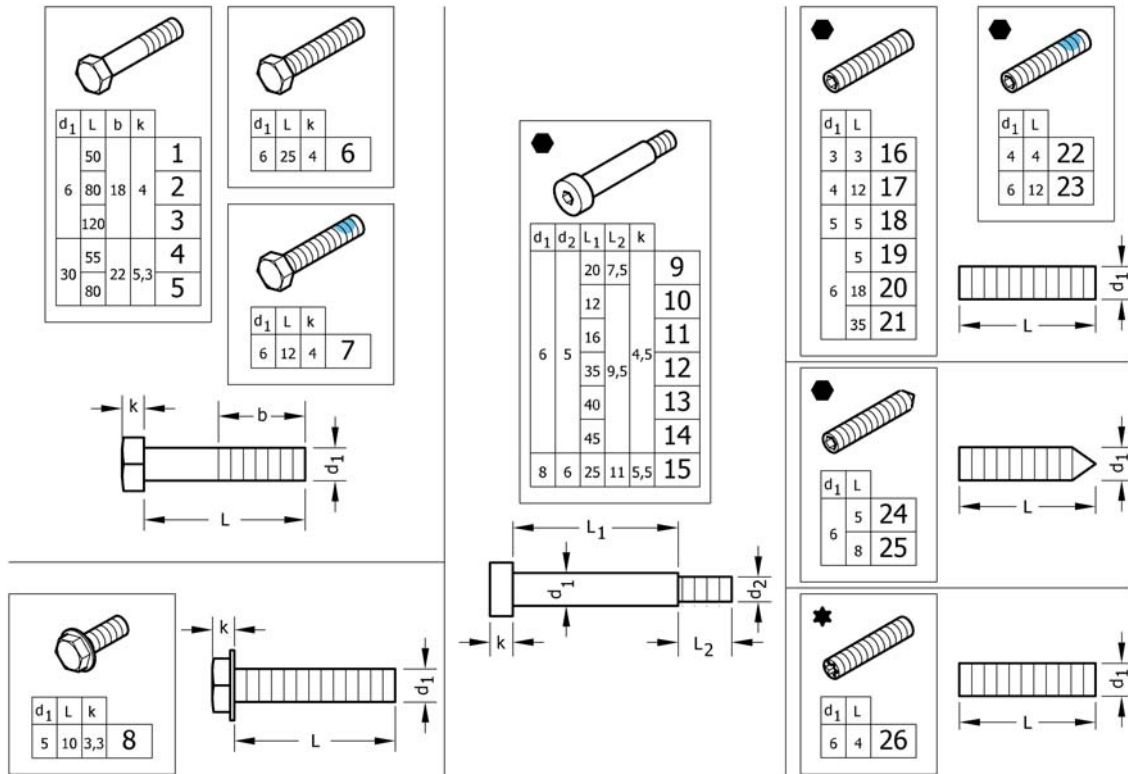


1	1579259	(Hex sock.Button head cap screws partially thread., Black, M6x45, kit 25 Pcs.) <i>Replaces 1438507 (25x)</i>	1
2	1579260	(Hex socket button head cap screws fully threaded, Black, M5x16, kit 25 Pcs.) <i>Replaces 1445341-0003 (25x)</i>	1
3	1579261	(Hex socket button head cap screws fully threaded, Black, M5x25, kit 25 Pcs.) <i>Replaces 107.1021 (25x)</i>	1
4	1579262	(Hex socket button head cap screws fully threaded, Black, M5x40, kit 25 Pcs.) <i>Replaces 1445101-0003 (25x)</i>	1
5	1579263	(Hex socket button head cap screws fully threaded, Black, M6x20, kit 25 Pcs.) <i>Replaces 1439153 (25x)</i>	1
6	1579264	(Hex socket button head cap screws fully threaded, Black, M6x34, kit 25 Pcs.) <i>Replaces 1438506-0003 (25x)</i>	1
7	1579265	(Hex socket button head cap screws fully threaded, Black, M6x40, kit 25 Pcs.) <i>Replaces 1439530-0003 (25x)</i>	1
8	1579266	(Hex socket button head cap screws fully threaded, Black, M6x50, kit 25 Pcs.) <i>Replaces 1439531-0003 (25x)</i>	1
9	1579267	(Hex sock.But.Head cap screws full.Thread., Black, TufLok, M6x25, kit 25 Pcs.) <i>Replaces 1438505 (25x)</i>	1
10	1579268	(Button head socket cap screws with flange, Black, M5x8, kit 25 Pcs.) <i>Replaces 1536268 (25x)</i>	1
11	1579269	(Button head socket cap screws with flange, Black, M5x12, kit 25 Pcs.) <i>Replaces 1529290 (25x)</i>	1
12	1579270	(Button head socket cap screws with flange, Black, M5x16, kit 25 Pcs.) <i>Replaces 1445102-0003 (25x)</i>	1
13	1579271	(Button head socket cap screws with flange, Black, M6x12, kit 25 Pcs.) <i>Replaces 1432204 (25x)</i>	1
14	1579272	(Round washer head PT® screws, form H, zinc plated blue, M5x16, kit 25 Pcs.) <i>Replaces 1536057 (25x)</i>	1

(Button head screws)

15	1579273	(Pan head PT screws, form H, zinc plated blue, M3x10, kit 25 Pcs.) <i>Replaces ZM003510A (25x)</i>	1
16	1579274	(Pan head PT screws, Torx, Black, M5x20, kit 25 Pcs.) <i>Replaces 1424569 (25x)</i>	1
17	1579275	(Slotted machine screws, Black, M5x10, kit 25 Pcs.) <i>Replaces 102.2083 (25x)</i>	1

(Hex-head screws, diverse, ...)

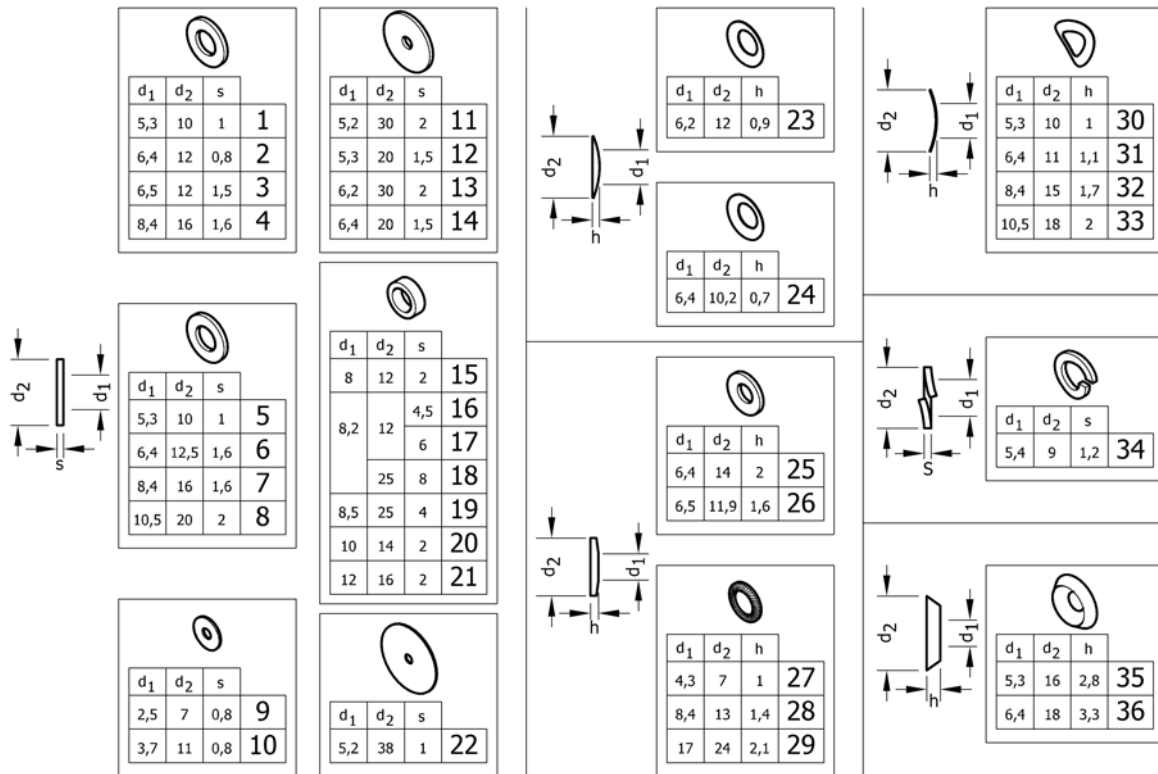


1	1579276	(Hex head bolts partially threaded, Black, M6x50, kit 10 Pcs.) <i>Replaces 101.1134 (10x)</i>	1
2	1579277	(Hex head bolts partially threaded, Black, M6x80, kit 10 Pcs.) <i>Replaces 1438508 (10x)</i>	1
3	1579278	(Hex head bolts partially threaded, Black, M6x120, kit 10 Pcs.) <i>Replaces 1438509 (10x)</i>	1
4	1579279	(Hex head bolts partially threaded, Black, M8x55, kit 10 Pcs.) <i>Replaces 101.1174 (10x)</i>	1
5	1579280	(Hex head bolts partially threaded, Black, M8x80, kit 10 Pcs.) <i>Replaces 101.1179 (10x)</i>	1
6	1579281	(Hex head screws fully threaded, Black, M6x25, kit 10 Pcs.) <i>Replaces 1437299 (10x)</i>	1
7	1579282	(Hex head screws fully threaded, Black, TufLok, M6x12, kit 10 Pcs.) <i>Replaces 1564245 (10x)</i>	1
8	1579283	(Hex flange head machine screws with flange Black, M5x10, kit 10 Pcs.) <i>Replaces 107.1014 (10x)</i>	1
9	1579295	(Hex socket head shoulder bolts, Black, Ø6x20 / M5, kit 4 Pcs.) <i>Replaces 1488934-0003 (4x)</i>	1
10	1579296	(Hex socket head shoulder bolts, Black, Ø6x12 / M5, kit 4 Pcs.) <i>Replaces 1564246 (4x)</i>	1
11	1579297	(Hex socket head shoulder bolts, Black, Ø6x16 / M5, kit 4 Pcs.) <i>Replaces 1529291 (4x)</i>	1
12	1579298	(Hex socket head shoulder bolts, Black, Ø6x35 / M5, kit 4 Pcs.) <i>Replaces 1496034 (4x)</i>	1
13	1579299	(Hex socket head shoulder bolts, Black, Ø6x40 / M5, kit 4 Pcs.) <i>Replaces 107.1023 (4x)</i>	1
14	1579300	(Hex socket head shoulder bolts, Black, Ø6x45 / M5, kit 4 Pcs.) <i>Replaces 1496030 (4x)</i>	1
15	1579301	(Hex socket head shoulder bolts, Black, Ø8x25 / M6, kit 4 Pcs.) <i>Replaces ZM008252A (4x)</i>	1
16	1579284	(Hex socket set screws with flat point, Black, M3x3, kit 25 Pcs.) <i>Replaces 116.1001 (25x)</i>	1
17	1579285	(Hex socket set screws with flat point, Black, M4x12, kit 25 Pcs.) <i>Replaces 116.1046 (25x)</i>	1
18	1579286	(Hex socket set screws with flat point, zinc plated blue, M5x5, kit 25 Pcs.) <i>Replaces 116.1081 (25x)</i>	1

(Hex-head screws, diverse, ...)

19	1579287	(Hex socket set screws with flat point, Black, M6x5, kit 25 Pcs.) <i>Replaces 1437272 (25x)</i>	1
20	1579288	(Hex socket set screws with flat point, zinc plated blue, M6x18, kit 25 Pcs.) <i>Replaces 1559106 (25x)</i>	1
21	1579289	(Hex socket set screws with flat point, Black, M6x35, kit 25 Pcs.) <i>Replaces 116.1133 (25x)</i>	1
22	1579290	(Hex socket set screws with flat point, Black, TufLok, M4x4, kit 10 Pcs.) <i>Replaces 1493792 (10x)</i>	1
23	1579291	(Hex socket set screws with flat point, Z.Platt.Bl., TufLok, M6x12, kit 10Pcs.) <i>Replaces 1439057 (10x)</i>	1
24	1579292	(Hex socket set screws with cone point, Black, M6x5, kit 25 Pcs.) <i>Replaces 116.2121 (25x)</i>	1
25	1579293	(Hex socket set screws with cone point, Black, M6x8, kit 25 Pcs.) <i>Replaces 116.2123 (25x)</i>	1
26	1579294	(Screws with cup point, Torx, zinc plated blue, M6x4, kit 25 Pcs.) <i>Replaces 1567763 (25x)</i>	1

(Washers)

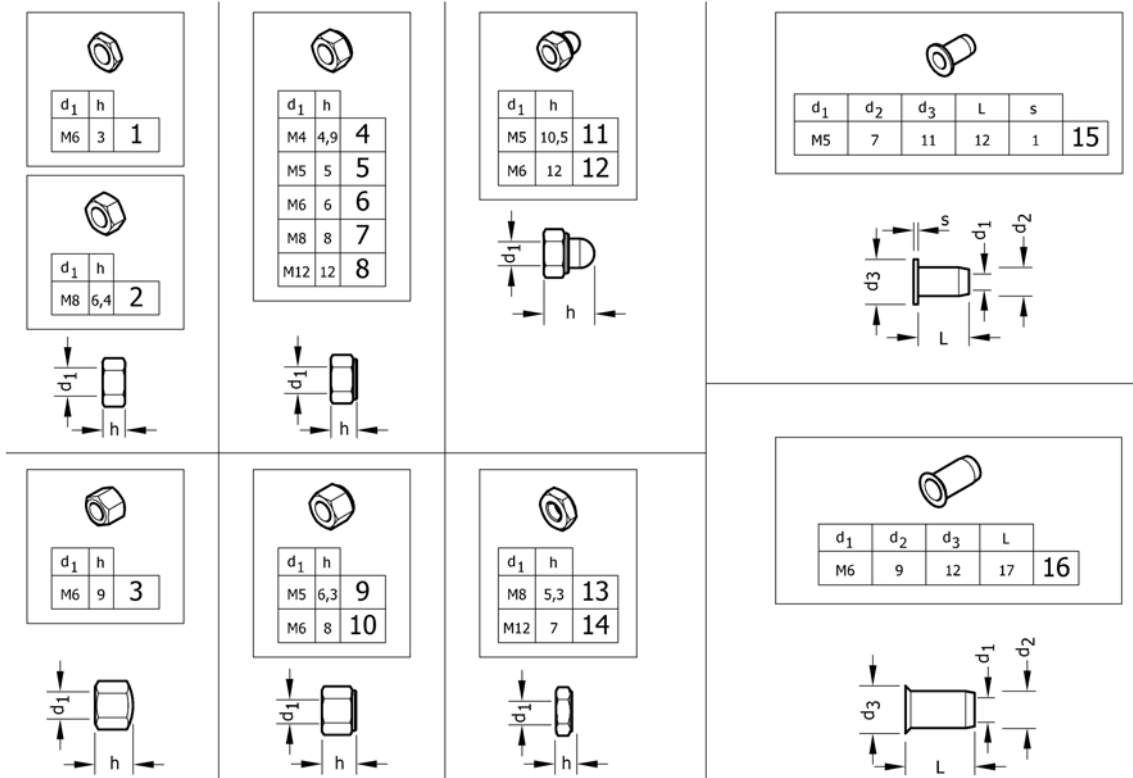


1	1579225	(Flat washers without chamfer, black, 5,3x10x1, kit 50 Pcs.) <i>Replaces 150.1004 (50x)</i>	1
2	1579226	(Flat washers without chamfer, black, 6,4x12x0,8, kit 50 Pcs.) <i>Replaces 150.2001 (50x)</i>	1
3	1579227	(Flat washers without chamfer, zinc plated blue, 6,5x12x1,5, kit 50 Pcs.) <i>Replaces 5729091 (50x)</i>	1
4	1579228	(Flat washers without chamfer, black, 8,4x16x1,6, kit 50 Pcs.) <i>Replaces 150.1012 (50x)</i>	1
5	1579229	(Flat washers without chamfer, polyamide, 5,3x10x1, kit 50 Pcs.) <i>Replaces 150.3003 (50x)</i>	1
6	1579230	(Flat washers without chamfer, polyamide, 6,4x12,5x1,6, kit 50 Pcs.) <i>Replaces 150.3004 (50x)</i>	1
7	1579231	(Flat washers without chamfer, polyamide, 8,4x16x1,6, kit 50 Pcs.) <i>Replaces 150.3005 (50x)</i>	1
8	1579232	(Flat washers without chamfer, polyamide, 10,5x20x2, kit 50 Pcs.) <i>Replaces 150.3006 (50x)</i>	1
9	1579233	(Flat washers without chamfer, zinc plated blue, 2,5x7x0,8, kit 50 Pcs.) <i>Replaces 150.2012 (50x)</i>	1
10	1579234	(Flat washers without chamfer, zinc plated blue, 3,7x11x0,8, kit 50 Pcs.) <i>Replaces ZM203501A (50x)</i>	1
11	1579235	(Flat washers without chamfer, black, 5,2x30x2, kit 20 Pcs.) <i>Replaces 150.2006 (20x)</i>	1
12	1579236	(Flat washers without chamfer, black, 5,3x20x1,5, kit 50 Pcs.) <i>Replaces 150.2010 (50x)</i>	1
13	1579237	(Flat washers without chamfer, black, 6,2x30x2, kit 20 Pcs.) <i>Replaces 150.2009 (20x)</i>	1
14	1579238	(Flat washers without chamfer, black, 6,4x25x1,5, kit 50 Pcs.) <i>Replaces 1451753 (50x)</i>	1
15	1579239	(Hinge rings, black, 8x12x2, kit 50 Pcs.) <i>Replaces 150.5002 (50x)</i>	1
16	1579240	(Distance sleeve, alu, 8,2x12x4,5, kit 20 Pcs.) <i>Replaces 1420970 (20x)</i>	1
17	1579241	(Distance sleeve, alu, 8,2x12x6, kit 20 Pcs.) <i>Replaces 1420969 (20x)</i>	1
18	1581292	(Distance sleeve, alu, 8,2x25x8, kit 2 Pcs.) <i>Replaces 151.1002 (2x)</i>	1

(Washers)

19	1583052	(Distance sleeve, alu, black, 8,5x25x4, kit 10 Pcs.) <i>Replaces 151.1014 (10x)</i>	1
20	1579242	(Hinge rings, zinc plated blue, 10x14x2, kit 50 Pcs.) <i>Replaces 1506666 (50x)</i>	1
21	1579243	(Hinge rings, black, 12x16x2, kit 50 Pcs.) <i>Replaces 150.5006 (50x)</i>	1
22	1579244	(Rubber washers, 5,2x38x1, kit 20 Pcs.) <i>Replaces 1424891 (20x)</i>	1
23	1579245	(Disc springs, black, 6,2x12x0,9, kit 50 Pcs.) <i>Replaces 160.1015 (50x)</i>	1
24	1579246	(Conical spring washers, zinc plated blue, 6,4x10,2x0,7, kit 50 Pcs.) <i>Replaces 161.1004 (50x)</i>	1
25	1579247	(Conical spring washers, black, 6,4x14x2, kit 50 Pcs.) <i>Replaces 161.2004 (50x)</i>	1
26	1579248	(Conical spring washers, zinc plated blue, 6,5x11,9x1,6, kit 50 Pcs.) <i>Replaces ZM206001A (50x)</i>	1
27	1579249	(Ribbed lock washers, black, 4,3x7x1, kit 50 Pcs.) <i>Replaces 155.2002 (50x)</i>	1
28	1579250	(Ribbed lock washers, zinc plated blue, 8,4x13x1,4, kit 50 Pcs.) <i>Replaces 155.2005 (50x)</i>	1
29	1579251	(Ribbed lock washers, zinc plated blue, 17x24x2,1, kit 50 Pcs.) <i>Replaces 155.2009 (50x)</i>	1
30	1579252	(Curved spring washers, black, 5,3x10x1, kit 50 Pcs.) <i>Replaces 1438515 (50x)</i>	1
31	1579253	(Curved spring washers, black, 6,4x11x1,1, kit 50 Pcs.) <i>Replaces 1438516 (50x)</i>	1
32	1579254	(Curved spring washers, zinc plated blue, 8,4x15x1,7, kit 50 Pcs.) <i>Replaces ZM208003A (50x)</i>	1
33	1579255	(Curved spring washers, zinc plated blue, 10,5x18x2, kit 50 Pcs.) <i>Replaces ZM201581A (50x)</i>	1
34	1579256	(Split spring lock washers, black, 5,4x9x1,2, kit 50 Pcs.) <i>Replaces 155.1003 (50x)</i>	1
35	1579257	(Finishing washers 90° countersunk head screw, black, 5,3x16x2,8, kit 50 Pcs.) <i>Replaces 150.6003 (50x)</i>	1
36	1579258	(Finishing washers 90° countersunk head screw, black, 6,4x18x3,3, kit 50 Pcs.) <i>Replaces 150.6004 (50x)</i>	1

(Nuts)

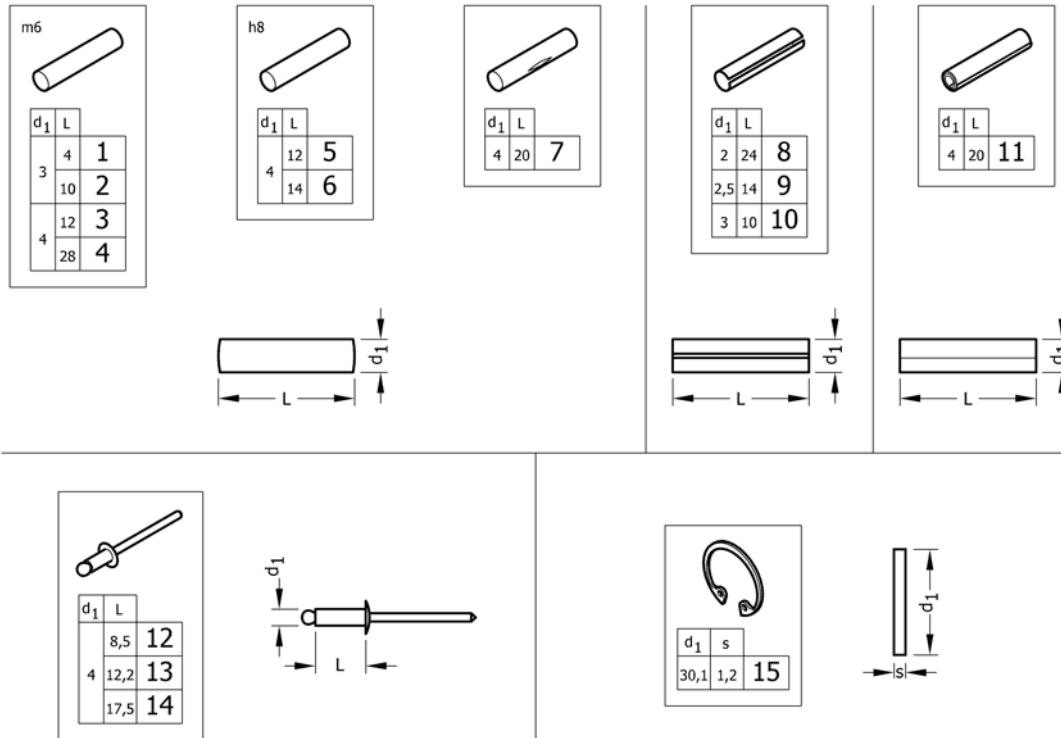


1	1579207	(Hex jam nuts, black, M6, kit 25 Pcs.) <i>Replaces 108.3004 (25x)</i>	1
2	1579208	(Hexagon nuts , black, M8, kit 25 Pcs.) <i>Replaces 1420997 (25x)</i>	1
3	1579209	(Hex cap nuts, low type, black, M6, kit 25 Pcs.) <i>Replaces 109.5009 (25x)</i>	1
4	1579210	(Prev.Torque lock nuts, thin type, with polyam.Insert, black, M4, kit 25 Pcs.) <i>Replaces 109.1002 (25x)</i>	1
5	1579211	(Prev.Torque lock nuts, thin type, with polyam.Insert, black, M5, kit 25 Pcs.) <i>Replaces 109.1003 (25x)</i>	1
5	1579212	(Prev.Torque lock nuts, thin type, with polyam.Insert, zi.Bl., M5, kit 25 Pcs.) <i>Replaces 109.5008 (25x)</i>	1
6	1579213	(Prev.Torque lock nuts, thin type, with polyam.Insert, black, M6, kit 25 Pcs.) <i>Replaces 109.1004 (25x)</i>	1
6	1579214	(Prev.Torque lock nuts, thin type, with polyam.Insert, zi.Bl., M6, kit 25 Pcs.) <i>Replaces ZM106001A (25x)</i>	1
7	1579215	(Prev.Torque lock nuts, thin type, with polyam.Insert, black, M8, kit 25 Pcs.) <i>Replaces 109.1005 (25x)</i>	1
8	1579216	(Prev.Torque lock nuts, thin type, with polyam.Insert, black, M12, kit 4 Pcs.) <i>Replaces 109.1007 (4x)</i>	1
9	1579217	(Preva.Torq.Hex lock nuts, high type with poly.Insert, black, M5, kit 25 Pcs.) <i>Replaces 1493771 (25x)</i>	1
10	1579218	(Preva.Torq.Hex lock nuts, high type with poly.Insert, black, M6, kit 25 Pcs.) <i>Replaces 109.5001 (25x)</i>	1
11	1579219	(Prevail.Torque hex domed cap nuts with polyam.Insert, black, M5, kit 25 Pcs.) <i>Replaces 109.5006 (25x)</i>	1
12	1579220	(Prevail.Torque hex domed cap nuts with polyam.Insert, black, M6, kit 25 Pcs.) <i>Replaces 109.5003 (25x)</i>	1
13	1579221	(Prevailing torque hex lock nuts, all-metal, thin typeblack, M8, kit 10 Pcs.) <i>Replaces 109.5005 (10x)</i>	1

(Nuts)

14	1579222	(Prevailing torque hex lock nuts, all-metal, thin typeblack, M12, kit 4 Pcs.) <i>Replaces 109.5004 (4x)</i>	1
15	1579223	(Blind rivet nuts, flat head, open type, black, M5, kit 10 Pcs.) <i>Replaces 180.4007 (10x)</i>	1
16	1579224	(Blind rivet nut with low countersunk head, open type, black, M6, kit 10 Pcs.) <i>Replaces 180.4105 (10x)</i>	1

(Pins, rivets, ...)



1	1579302	(Parallel pins, Ø3x4 m6, kit 10 Pcs.) <i>Replaces 1439336 (10x)</i>	1
2	1579303	(Parallel pins, Ø3x10 m6, kit 10 Pcs.) <i>Replaces 1439337 (10x)</i>	1
3	1579304	(Parallel pins, Ø4x12 m6, kit 20 Pcs.) <i>Replaces 200.1124 (20x)</i>	1
4	1579305	(Parallel pins, Ø4x28 m6, kit 20 Pcs.) <i>Replaces 1437344 (20x)</i>	1
5	1579306	(Parallel pins, Ø4x12 h8, kit 20 Pcs.) <i>Replaces 1487663 (20x)</i>	1
6	1579307	(Parallel pins, Ø4x14 h8, kit 20 Pcs.) <i>Replaces 1487662 (20x)</i>	1
7	1579308	(Grooved pins, center grooved, Ø4x20, kit 20 Pcs.) <i>Replaces 1517718 (20x)</i>	1
8	1579309	(Slotted spring pins, heavy duty, Black, Ø2x24, kit 20 Pcs.) <i>Replaces 200.4011 (20x)</i>	1
9	1579310	(Slotted spring pins, heavy duty, Black, Ø2,5x14, kit 20 Pcs.) <i>Replaces 200.4007 (20x)</i>	1
10	1579311	(Slotted spring pins, heavy duty, stainless steel, Ø3x10, kit 20 Pcs.) <i>Replaces 1567997 (20x)</i>	1
11	1579312	(Spiral spring pins, Black, Ø4x20, kit 20 Pcs.) <i>Replaces 200.3167 (20x)</i>	1
12	1579313	(Dome head blind rivets, Ø4x8,5, kit 20 Pcs.) <i>Replaces 1439292 (20x)</i>	1
13	1579314	(Dome head blind rivets, Ø4x12,2, kit 20 Pcs.) <i>Replaces 180.5116 (20x)</i>	1
14	1579315	(Dome head blind rivets, Ø4x17,5, kit 20 Pcs.) <i>Replaces 180.5019 (20x)</i>	1
15	1579316	(Retaining rings for bores, Std.Design, Z.plat.Blue, Ø30,1X1,2, kit 20 Pcs.) <i>Replaces ZM50J281A (20x)</i>	1



Yes, you can.®



Belgium & Luxemburg:

Invacare nv, Autobaan 22, B-8210 Loppem
Tel: (32) (0)50 83 10 10, Fax: (32) (0)50 83 10 11
belgium@invacare.com / www.invacare.be

Denmark:

Invacare A/S, Sdr. Ringvej 37, DK-2605 Brøndby
Tel: (45) (0)36 90 00 00, Fax: (45) (0)36 90 00 01
denmark@invacare.com / www.invacare.dk

Deutschland:

Invacare Aquatec GmbH, Alemannenstraße 10, D-88316 Isny
Tel: (49) (0)75 62 7 00 0, Fax: (49) (0)75 62 7 00 66
info@invacare-aquatec.com / www.invacare-aquatec.de

European Distributor Organisation:

Invacare, Kleiststraße 49, D-32457 Porta Westfalica
Tel: (49) (0)57 31 754 540, Fax: (49) (0)57 31 754 541
edo@invacare.com / www.invacare.eu.com

España:

Invacare SA, c/Areny s/n, Polígon Industrial de Celrà, E-17460 Celrà (Girona)
Tel: (34) (0)972 49 32 00, Fax: (34) (0)972 49 32 20
contactsp@invacare.com / www.invacare.es

France:

Invacare Poirier SAS, Route de St Roch, F-37230 Fondettes
Tel: (33) (0)2 47 62 64 66, Fax: (33) (0)2 47 42 12 24
contactfr@invacare.com / www.invacare.fr

Ireland:

Invacare Ireland Ltd, Unit 5 Seatown Business Campus, Seatown Road, Swords, County Dublin - Ireland
Tel: (353) 1 810 7084, Fax: (353) 1 810 7085
ireland@invacare.com / www.invacare.ie

Italia:

Invacare Mecc San s.r.l., Via dei Pini 62, I-36016 Thiene (VI)
Tel: (39) 0445 38 00 59, Fax: (39) 0445 38 00 34
italia@invacare.com / www.invacare.it

Nederland:

Invacare BV, Celsiusstraat 46, NL-6716 BZ Ede
Tel: (31) (0)318 695 757, Fax: (31) (0)318 695 758
nederland@invacare.com, csede@invacare.com / www.invacare.nl

Norge:

Invacare AS, Grensesvingen 9, Postboks 6230, Etterstad, N-0603 Oslo
Tel: (47) (0)22 57 95 00, Fax: (47) (0)22 57 95 01
norway@invacare.com, island@invacare.com / www.invacare.no

Österreich:

Invacare Austria GmbH, Herzog Odilostrasse 101, A-5310 Mondsee
Tel: (43) 6232 5535 0, Fax: (43) 6232 5535 4
info-austria@invacare.com / www.invacare.at

Portugal:

Invacare Lda, Rua Estrada Velha, 949, P-4465-784 Leça do Balio
Tel: (351) (0)225 1059 46/47, Fax: (351) (0)225 1057 39
portugal@invacare.com / www.invacare.pt

Sverige & Suomi:

Invacare AB, Fagerstagatan 9, S-163 91 Spånga
Tel: (46) (0)8 761 70 90, Fax: (46) (0)8 761 81 08
sweden@invacare.com, finland@invacare.com / www.invacare.se

Switzerland:

Invacare AG, Benkenstrasse 260, CH-4108 Witterswil
Tel: (41) (0)61 487 70 80, Fax: (41) (0)61 487 70 81
switzerland@invacare.com / www.invacare.ch

United Kingdom:

Invacare Limited, Pencoed Technology Park, Pencoed, Bridgend CF35 5AQ
Switchboard Tel: (44) (0)1656 776200, Fax: (44) (0)1656 776201
Customer services Tel: (44) (0)1656 776222, Fax: (44) (0)1656 776220
uk@invacare.com / www.invacare.co.uk