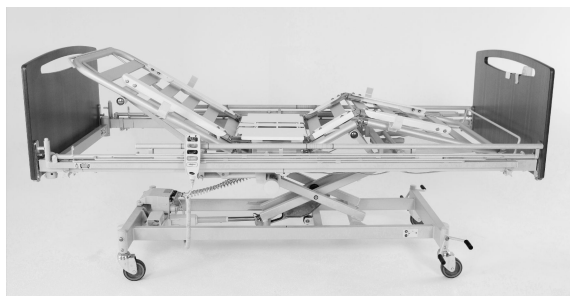


Invacare® Soft Tilt



en	Accessory for Invacare® SB® 755 User Manual	3
da	Tilbehør til Invacare® SB® 755 Brugsanvisning	25
fi	Lisävaruste malliin Invacare® SB® 755 Käyttöohje	49
nl	Accessoire voor Invacare® SB® 755 Gebruiksaanwijzing	71
no	Tilbehør for Invacare® SB® 755 Bruksanvisning	95
sv	Tillbehör för Invacare® SB® 755 Bruksanvisning	117



This manual MUST be given to the user of the product.
BEFORE using this product, read this manual and save for future
reference.



Yes, you can.

©2018 Invacare Corporation

All rights reserved. Republication, duplication or modification in whole or in part is prohibited without prior written permission from Invacare. Trademarks are identified by ™ and ®. All trademarks are owned by or licensed to Invacare Corporation or its subsidiaries unless otherwise noted.

—
Alle rettigheder forbeholdes. Hel eller delvis gengivelse, kopiering eller ændring er forbudt uden forudgående skriftlig tilladelse fra Invacare. Varemærker er markeret med ™ og ®. Alle varemærker ejes af eller er givet i licens til Invacare Corporation eller denne virksomheds filialer, medmindre andet fremgår.

—
Kaikki oikeudet pidätetään. Koko materiaalin tai sen osan uudelleenjulkaisu, jäljentäminen tai muuttaminen on kiellettyä ilman Invacaren etukäteen antamaa kirjallista lupaa. Tavaramerkit ilmaistaan symboleilla ™ ja ®. Kaikki tavaramerkit ovat Invacare Corporationin tai sen tytäyhtiöiden omistamia tai lisensoimia, ellei toisin ole ilmoitettu.

—
Alle rechten voorbehouden. Herpublicatie, duplicatie of gehele of gedeeltelijke wijziging is verboden zonder voorafgaande schriftelijke toestemming van Invacare. Handelsmerken zijn te herkennen aan ™ en ®. Alle handelsmerken zijn eigendom van of gelicentieerd aan Invacare Corporation of haar dochterondernemingen, tenzij anders aangegeven.

—
Med enerett. Det er forbudt å republisere, kopiere eller endre hele eller deler av denne veiledningen uten at det på forhånd er innhentet skriftlig tillatelse fra Invacare. Varemerker angis med ™ og ®. Alle varemerker eies av eller lisensieres til Invacare Corporation eller tilhørende datterselskaper med mindre annet er angitt.

—
Med ensamrätt. Innehållet får inte ges ut på nytt, mångfaldigas eller förändras helt eller delvis utan föregående skriftligt tillstånd från Invacare. Varumärken betecknas med ™ och ®. Samtliga varumärken tillhör eller är licensierade till Invacare Corporation eller dess dotterbolag om ingenting annat anges.

Contents

This manual MUST be given to the user of the product.
BEFORE using this product, read this manual and save for future reference.

1 General	4
1.1 Introduction	4
1.1.1 Definitions	4
1.2 Symbols in this document	4
1.3 Intended use	4
1.4 Service life	4
1.5 Warranty information	4
1.6 Limitation of liability	4
2 Safety	5
2.1 General safety information	5
2.2 Labels and symbols on the product	6
2.2.1 Product label	6
2.2.2 Other labels and symbols	6
3 Setup	7
3.1 General Safety Information	7
3.2 Scope of delivery	7
3.3 Mounting the Soft Tilt	7
4 Usage	10
4.1 General Safety Information	10
4.2 Overview	10
4.3 Control Box and Hand Control	10
4.4 On/Off and CPR/Reset function	10
4.5 Emergency Stop	11
4.6 Manual operation	11
4.6.1 Recommended Procedures	11
4.7 Automatic operation	11
4.7.1 Auto program sequence	12
4.8 Charging the battery	12
5 Programming	13
5.1 Individually defined programs	13
5.2 How to program the individual automated programs	14
5.3 Program examples for automated pressure relief	15
6 Maintenance	17
6.1 General Maintenance Information	17
6.2 Cleaning and disinfection	17
6.3 Battery	17
7 After Use	18
7.1 Waste disposal	18
8 Troubleshooting	19
8.1 Troubleshooting the electrical system	19
8.2 Programming Errors	20
9 Technical Data	21
9.1 Characteristics	21
9.2 Weights	21
9.3 Allowed mattress sizes	21
9.4 Environmental conditions	21
9.5 Electrical system	21
10 Electromagnetic compatibility (EMC)	23
10.1 General EMC information	23
10.2 Electromagnetic emission	23
10.3 Electromagnetic Immunity	23

1 General

1.1 Introduction

This document belongs to an Invacare accessory and it contains important information about handling and assembly. To ensure safety when using the product, read the user manual of the related product carefully and follow the safety instructions.

Find the user manual on Invacare's website or contact your Invacare representative. See addresses at the end of this document.

Invacare reserves the right to alter product specifications without further notice.

Before reading this document, make sure you have the latest version. You find the latest version as a PDF on the Invacare website.

If you find that the font size in the printed document is difficult to read, you can download the PDF version from the website. The PDF can then be scaled on screen to a font size that is more comfortable for you.

1.1.1 Definitions

All references to left and right are based on a person lying on his back in the bed, with his head in the head end.

1.2 Symbols in this document

Symbols and signal words are used in this document and apply to hazards or unsafe practices which could result in personal injury or property damage. See the information below for definitions of the signal words.



WARNING

Indicates a hazardous situation that could result in serious injury or death if it is not avoided.



CAUTION

Indicates a hazardous situation that could result in minor or slight injury if it is not avoided.



IMPORTANT

Indicates a hazardous situation that could result in damage to property if it is not avoided.



Tips and Recommendations

Gives useful tips, recommendations and information for efficient, trouble-free use.

1.3 Intended use

The Soft Tilt and control unit is intended to be used only in conjunction with 85 or 90 cm wide Invacare® SB 755 beds, equipped with side rails in an appropriate height (see chart in *9 Technical Data, page 21*), side rail covers and castellated foam mattress (see size chart *9 Technical Data, page 21*)

- As a part of an overall pressure ulcer prevention programme of care.
- To move bedridden end-users to lay on left or right side or on the back.
- Support the end-user in getting in and out of bed.

- When used in the "automatic" mode it has been designed to provide pressure reduction to end-users.
- When used in the "manual" mode it is designed to support the care staff in turning the end-user from side to side in the bed.
- It is suitable for use in all home care, residential and nursing care settings.

Indications

The intended patient group for Soft Tilt is:

- Bedridden immobile/partly immobile adult end-users.
- Who needs pressure care.
- Who needs to be nursed in the care bed such as personal hygiene, dressing etc. This group of end users will often be transferred from bed to chair using a lifter or manually supported by care staff in combination with a technical aid such as a rollator.

Contraindications

The Soft Tilt is not intended for psychiatric, restless or anxious end-users or persons with spasm.

Precautions

- Before Soft Tilt is used it is important to evaluate, if Soft Tilt is suitable for the actual end-user.
- For security reasons the end-user must not operate Soft Tilt themselves.



WARNING!

Any other or incorrect use could lead to hazardous situations. Invacare accepts no liability for any use, change or assembly of the product, other than stated in this user manual.

1.4 Service life

The expected service life of this product is five years when used daily and in accordance with the safety instructions, maintenance intervals and correct use, stated in this manual. The effective service life can vary according to frequency and intensity of use.

1.5 Warranty information

We provide a manufacturer's warranty for the product in accordance with our General Terms and Conditions of Business in the respective countries.

Warranty claims can only be made through the provider from whom the product was obtained.

1.6 Limitation of liability

Invacare accepts no liability for damage arising from:

- Non-compliance with the user manual
- Incorrect use
- Natural wear and tear
- Incorrect assembly or set-up by the purchaser or a third party
- Technical modifications
- Unauthorised modifications and/or use of unsuitable spare parts

2 Safety

2.1 General safety information



WARNING!

Compatibility with Invacare® SB 755 beds only
The Soft Tilt is specially designed and must only be used in conjunction with 85 or 90 cm wide Invacare® SB 755 beds.



WARNING!
Risk of falling

If the Soft Tilt is used without or with the wrong side rails, there is a risk for the end-user to fall out of the bed.

- Never use the Soft Tilt on a bed without side rails.
- Only use the Soft Tilt in combination with Invacare side rails listed in *9 Technical Data, page 21*.
- Always make sure the side rail is up in the opposite site of where the care stuff is placed OR one care staff is placed on each side of the bed, when the manual mode is used.
- Always make sure both side rails are up, when the automatic mode is activated.



WARNING!
Risk of squeezing and/or suffocation

If the side rails are used without a cover or with a non-breathable cover, there is a risk of squeezing and/or suffocation for the end-user.

- Always use a breathable cover for the side rails when using the Soft Tilt.



WARNING!
Risk of falling and/or squeezing

- Always perform a risk assessment of the end-user's condition and ability of moving.
- Never use the Soft Tilt if the end-user is anxious or restless.
- Always make sure the end-user is placed in the middle of the bed and all body parts are on the mattress before the wings are moved.
- Never leave the end-user unattended when the manual mode is used.
- The end-user must never get in or out of the bed while the wings are moved manually or the automatic mode is activated.
- The hand control must always be used by care giver.



WARNING!

Risk of injury or damage to property

Inappropriate handling of cables can cause electrical shock and product failure.

- Do not kink, shear or otherwise damage the main power cord.
- Do not roll the castors over the main power cord.
- Do not bring main power cord into moving parts.
- Disconnect the plug from the mains before moving the bed.
- Make sure that no cables (mains or from other equipment) are jammed or damaged, when the bed is used.
- Keep bed components and accessories at least 30 cm away from a heated surface and not in direct sunlight.

Mattresses



WARNING!

Safety aspects regarding combination of side rails and mattresses:

To get the highest possible safety level, when using side rails on the bed, the minimum and maximum measures for mattresses, must be respected.

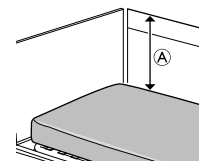
- For correct mattress measures see mattress tables in chapter *9 Technical Data, page 21*.



WARNING!

Risk of entrapment and/or suffocation

- The end-user could get trapped and/or suffocate, if the horizontal space, between the mattress side and the inside of the side rail, is too big. Follow the minimum width (and length) of mattresses in combination with a side rail, as stated in the mattress table in chapter *9 Technical Data, page 21*.
- Be aware that using very thick or soft mattresses (low density), or a combination of these, increases the risk.



WARNING!

Risk of falling

The end-user can fall over the edge and get seriously injured, if the vertical distance **A** between the top of the mattress and the edge of the side rail/bed end, is too short. See image above.

- Always keep a minimum distance **A** of 22 cm on the side of the wing the user is lying on (secondary wing elevated to max. 12°).
- Follow the maximum mattress height in combination with the side rail as stated in the mattress table in chapter *9 Technical Data, page 21*.

Electromagnetic interference



WARNING!

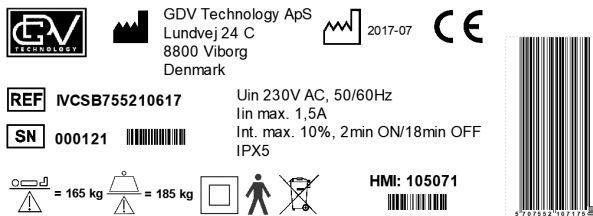
Risk of malfunction due to electromagnetic interference

Electromagnetic interference between this product and other electrical equipment can occur and disturb the electrical adjustment functions of this product. To prevent, reduce or eliminate such electromagnetic interference:

- Only use original cables, accessories and spare parts, to not increase electromagnetic emission or reduce electromagnetic immunity of this product.
- Do not use portable radio frequency (RF) communications equipment closer than 30 cm to any part of this product (including cables).
- Do not use this product near active high-frequency surgical equipment and the RF shielded room of a system for magnetic resonance imaging, where the intensity of electromagnetic disturbances is high.
- If disturbances occur, increase the distance between this product and the other equipment or switch it off.
- Refer to the detailed information and follow the guidance in chapter 10 *Electromagnetic compatibility (EMC)*, page 23.

2.2 Labels and symbols on the product

2.2.1 Product label



Soft Tilt for Invacare® SB 755

The product label is placed on the main module of the Soft Tilt and contains the main product information, including technical data.

Symbols

	Serial Number
	Reference Number
	Manufacturer Address
	Manufacturing Date
	Max. User Weight
	Max. Safe Working Load
	Insulation Class 2
	Type B Applied Part
	WEEE conform
	This product complies with Directive 93/42/EEC concerning medical devices. The launch date of this product is stated in the CE declaration of conformity.

Abbreviations for technical data:

- I_{in} = Incoming Current
- U_{in} = Incoming Voltage
- Int. = Intermittence
- AC = Alternating Current
- Max = maximum
- min = minutes

For more information about technical data, refer to 9 *Technical Data*, page 21.

2.2.2 Other labels and symbols

	Refer to User Manual
--	----------------------

3 Setup

3.1 General Safety Information

When you receive the product, check the packaging. If the packaging shows any signs of damage upon delivery, contact the shipping company.



WARNING!

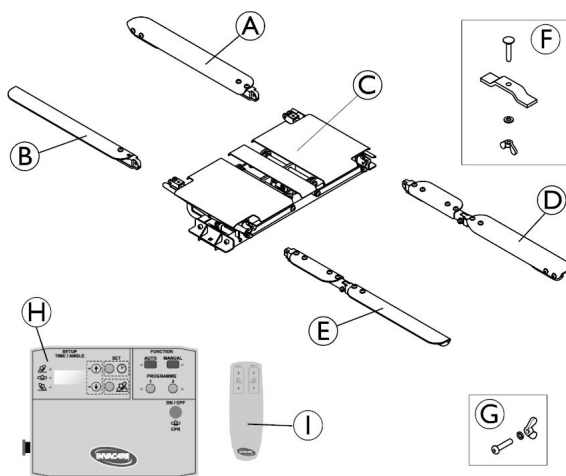
Risk of injury or damage to property

- The assembly and installation must be done by authorized or trained personnel.
- Follow instructions carefully. If you have any question regarding the assembly, contact your local dealer or Invacare representative.
 - If the product shows any sign of damages, do not use the product. Contact your local dealer or Invacare representative.
 - The electrical equipment of the product must not be dismantled or combined with other electrical equipment.
 - After each assembly, check that all fittings are properly tightened and that all parts have the correct function.

3.2 Scope of delivery

The Soft Tilt is delivered partially assembled in a cardboard box.

Main Parts



- Ⓐ Head end arm of left wing
- Ⓑ Head end arm of right wing
- Ⓒ Main module (pre-assembled unit)
- Ⓓ Foot end arm of left wing
- Ⓔ Foot end arm of right wing
- Ⓕ 2 sets: Fixation plate, carriage-bolt, washer and wing-nut
- Ⓖ 4 sets: Allen-bolt, washer and wing-nut
- Ⓗ Control Box
- Ⓘ Hand Control

Textile cover (not show in image)

3.3 Mounting the Soft Tilt

Mounting the main module



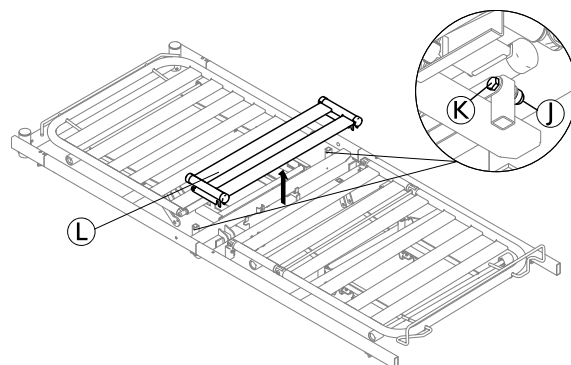
CAUTION!

Risk of damage or injury

- Holding the main module at wrong parts while lifting, can cause product damage or injury.
- Only hold the main module at the cover plates of the wings or the mounting brackets on the base frame.
 - Do not hold on the middle cover plate.
 - Do not hold on the squeeze protection bars located underneath the wings on the left and right side.

1.

a.

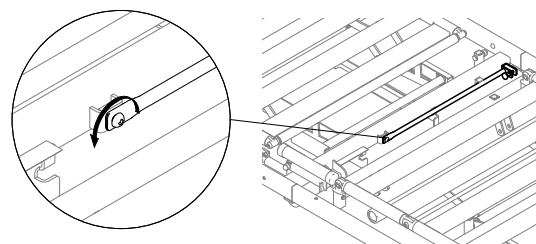


On each side of the bed, remove the nut Ⓧ and bolt Ⓨ using two 13 mm keys to remove the slats assembly Ⓦ from the bed.



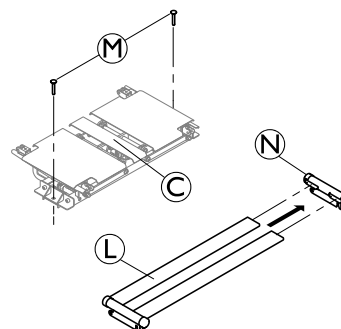
For beds equipped with wooden slats, two spare aluminium slats are required to replace the wooden slats of the slats assembly Ⓦ.

b. Additional step only required for dividable beds (SB 755D)



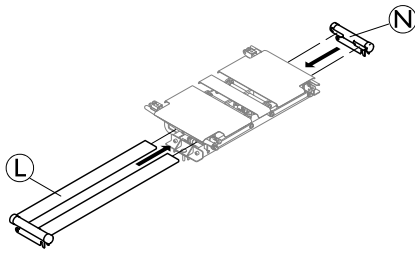
Unscrew and remove the distance stick, located at the cross bar of the mattress support head section, and keep it available for remounting, when the Soft Tilt is removed again from the bed.

2.



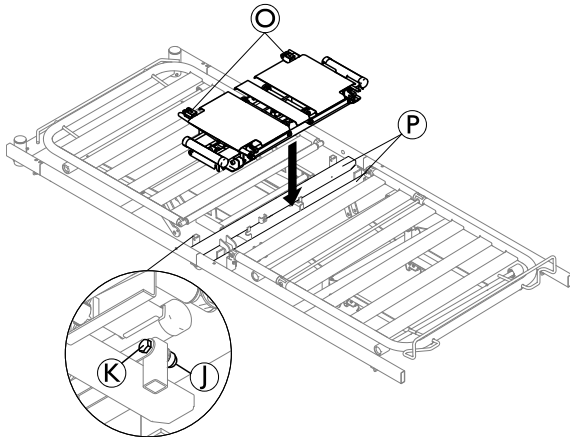
Place the two carriage bolts Ⓜ into the holes of the mounting brackets on the main module ⓐ and remove one of the brackets Ⓝ from the slats assembly Ⓦ.

3.



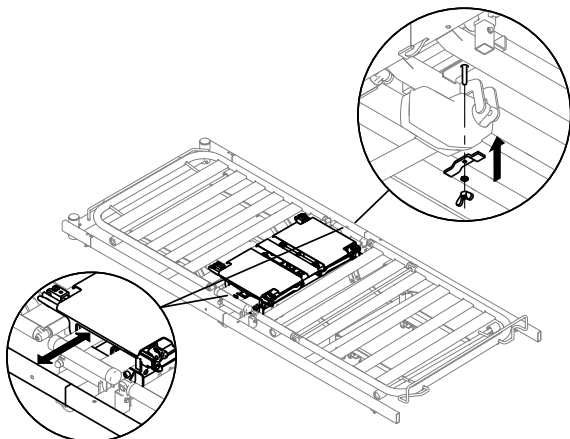
Insert the loose ends of the two slats underneath the cover plates of the main module and insert them back into the bracket (N) on the other side.

4.



Place the main module with slats assembly onto the crossbars (P), with the long connection arms (C) facing towards the head end of the bed. Ensure that the cables of the motors run between the crossbars (P) and no cables are squeezed. Fix the slats assembly with bolts (K) and nuts (J) removed in step 1.

5.



Ensure that the main module is placed in the middle of the mattress support frame and the distance to the side tubes is the same on both sides. Fix the main module to the crossbars of the mattress support frame, with the fixation plate, washer and nut, from underneath on both sides of the bed.

Wiring

The control box and hand control is to be hung at the footboard.



Connections at the control box

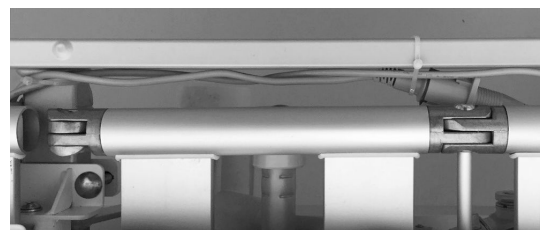
- (C) Power supply
- (R) Hand control and squeeze protection switches via splitter cable
- (S) Right motor
- (T) Left motor

1. Connect the cables of the right and left motor to the two extension cables (S) and (T) from the control box.
2. Connect the hand control to the shorter end of the splitter cable (R) and connect the power cable (C) to the mains.
3. Deactivate the emergency stop, turn the system on, activate manual mode and use the hand control to check that the left and right motor are correctly connected to the control box (see chapter *Usage* for detailed instructions).
- 4.




Elevate both wings of the main module and remove the tape fixing the cable of the squeeze protection switches on the main module. Run the switch cables to one side of the bed and run the free end underneath the first crosstube and on top of the second crosstube towards the foot end of the bed. Connect the cable to the longest end of the splitter cable (R). Fix each of the cables from the squeeze protection switches with a plastic strip at the crosstube and Soft Tilt frame, facing the head end of the bed.

5.

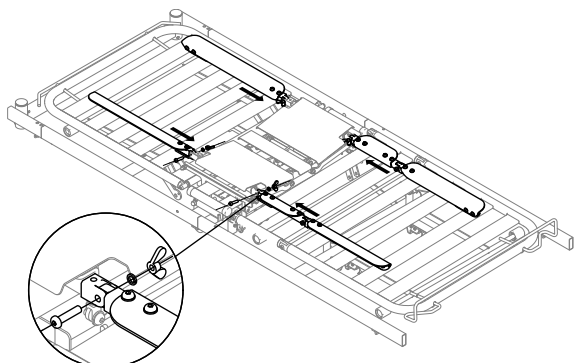


Ensure that all cables run underneath the bed slats and fasten one motor cable together with the switch cable on side of the bed and the second motor cable on the other side of the bed, with three plastic strips on each side. The first strip is placed on the crossbar and the remaining two on the side tube towards the foot end of the bed.

-  Move the bed all the way up and down to ensure no cables are getting squeezed.

Mounting the arms and cover

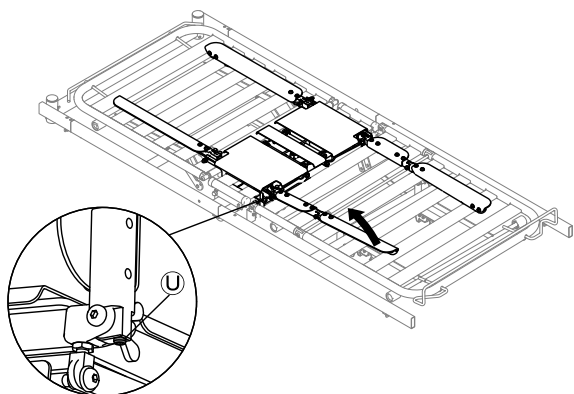
1. Ensure both wings of the main module are slightly elevated, so the connections for the arms are accessible.
- 2.



Connect the four arms with the main module, ensuring the arms with the hinge is placed over the knee bend hinge on the bed and that the curved shaped sides of all arms are pointing outwards. Fix the four arms with the Allen bolts and tighten the wing-nuts facing inwards. Ensure the safety washers are placed underneath the wing-nuts.

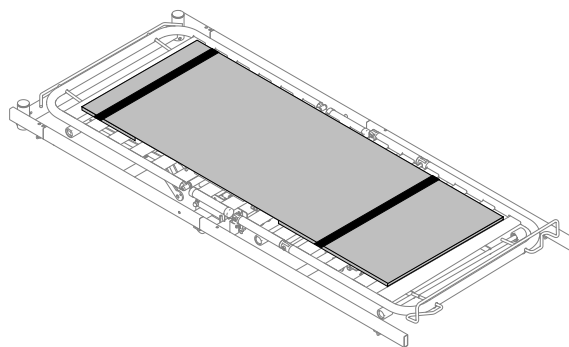
3.

- !** **IMPORTANT!**
When mounting, ensure that the four arms are in a horizontal position and adjust them if necessary



To adjust the position of the arms, fold them up at the joints to the main module and adjust screw **U** until the arms are in a horizontal position when folded back down.

4.



Mount the cover by sliding the pockets over the head end and foot end arms. The head end of the cover is marked by "TOP".

- !** **IMPORTANT!**
The Soft Tilt must not be used without the cover.

5. Place and secure the mattress onto the Soft Tilt.
 - a. Release the Velcro fastener of both straps on the side of the cover and fold them away to the side.
 - b. Place the mattress onto the bed on top of the Soft Tilt (for compatible mattresses see *9 Technical Data, page 21*).
 - c. Guide the straps over the mattress and re-fix the Velcro fastener to tightly secure the mattress to the Soft Tilt.

4 Usage

4.1 General Safety Information



WARNING!

Risk of personal injury and damage to property.

- The bed must be placed so that the height adjustment is not obstructed by, for example, lifts or furniture.
- Take care that no body parts are being squeezed between fixed parts (such as side rails, bed ends etc) and moving parts.
- The hand control must not be used by children.
- The hand control must only be used by care giver.



IMPORTANT

- If a power failure occurs, the battery secures the possibility of resetting the Soft Tilt via the “CPR” function.
- Make sure the battery is fully charged before using the Soft Tilt.
 - refer to Battery in the Maintenance section for further information.

4.2 Overview

The Soft Tilt can be operated either in manual or automatic mode.

In both modes it is possible to activate the normal functions the bed.



It is recommend to have the head section slightly raised, while using the Soft Tilt, to provide a more comfortable position to the end-user.

Manual mode

The manual mode has been designed to support the care staff in turning the end-user from side to side in the bed.

The wings can be raised and lowered via the hand control (see section *Manual Operation*).

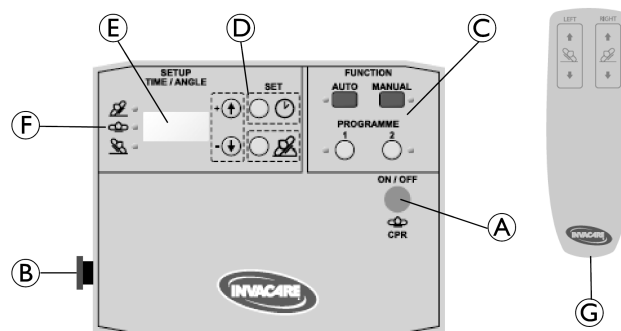
Automatic mode

The automatic mode has been designed to provide pressure reduction to end-users.

In the AUTO program, the wings will move automatically according to pre-defined parameters for time and angle (see section *Auto Program Sequence*).

In Program 1 and 2, the wings will move automatically according to individually defined parameters for time and angle (see chapter *Programming*).

4.3 Control Box and Hand Control



- (A) On/Off & CPR (cardiac arrest function) button
- (B) Emergency stop button
- (C) Function buttons to choose the mode of operation.
- (D) Setup buttons to set the parameters for program 1 and 2
- (E) Display
- (F) Position indicators
- (G) Hand control

4.4 On/Off and CPR/Reset function

Turn the system On

1. Press and hold the button (A) for 3 sec. to turn the system on.

CPR / Reset function

The CPR (cardiopulmonary resuscitation) / Reset function overrides all commands and moves both wings into a horizontal position.

1. To activate the CPR / Reset function press button (A) (without holding).

Turn the system off

1. Press the button (A) to reset the system and if applicable, wait until both wings moved into horizontal position.
2. Press and hold the button (A) for 3 sec. to turn the system off.

Display

System Status	Display	Note
OFF		Display blank
ON	software version (3 digit number)	Displayed 2 sec. after system has been turned on. (switches to passive mode if no function is selected).
ON	— — —	Passive mode (no function selected)
Reset	OFF	Displayed after the CPR / Reset function has been activated. The system subsequently switches to passive mode.

4.5 Emergency Stop

- ! IMPORTANT**
When the emergency stop is activated, the CPR function can still be activated, by pressing button **(A)**, to lower the wings to horizontal position if required.

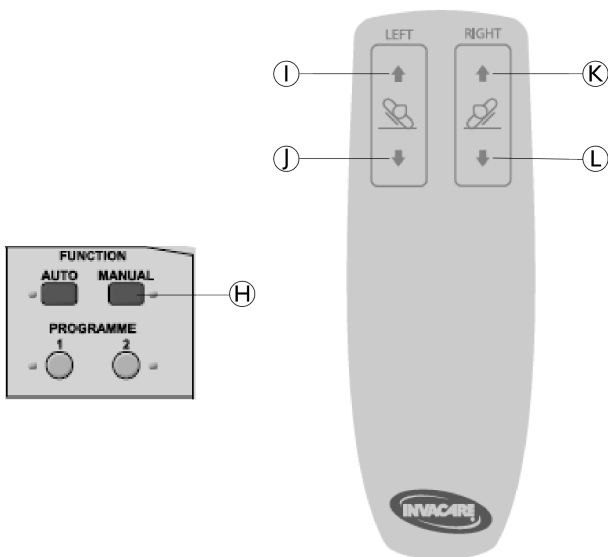
When the emergency stop is activated it stops all controls and movements immediately (wings will stay in current position).

1. To activate, push the button **(B)**.
2. To deactivate, rotate the button **(B)** clockwise.
3. Press button **(A)** to reset the system.

4.6 Manual operation

- ! WARNING!**
Risk of squeezing and injury
If both wings are simultaneously elevated to angles of more than 12° there is a risk of squeezing the patient.
– This option must only be used by trained personnel.

i The first time MANUAL is activated, after the system has been switched on, it will reset itself before the function can be used.



1. Press and hold button **(H)** for 3 sec. to activate manual operation.
 2. Press buttons on hand control as required.
 - To raise the left wing, press **(I)**
 - To lower the left wing, press **(J)**
 - To raise the right wing, press **(K)**
 - To lower the right wing, press **(L)**
- i** -Left and right buttons can be activated at the same time to move both wings simultaneously.
-The wings can be moved in a range from 0° to 60°.
3. To deactivate manual operation, press button **(H)** or the ON/OFF & CPR button **(A)**.

Status indicators

Display	LED
0 = no activity	MANUAL LED active
U = wing moves up	
d = wing moves down	

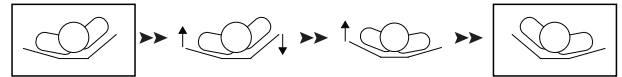
4.6.1 Recommended Procedures

Transfer from flat position to the side:



1. Raise both wings simultaneously to increase the comfort for the end user.
2. When both wings are slightly raised, continue raising only the primary wing and leave the secondary wing in position.
3. When the primary wing has reached the desired height, you can (but don't have to) lower the secondary wing to horizontal.

Transfer from one side to the other:



1. Simultaneously raise the lower side and lower the higher side
2. Stop lowering the secondary wing when it is still slightly raised and continue raising only the primary wing.
3. When the primary wing has reached the desired height, you can (but don't have to) lower the secondary wing to horizontal.

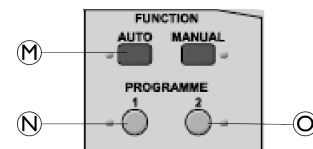
4.7 Automatic operation

The AUTO program is pre-defined and can not be changed.

Program 1 and 2 can be individually defined by the care staff (see chapter *Programming*). Upon delivery the programs are empty and need to be defined before usage.

i -If one of the programs is activated, the system will reset to FLAT position before starting the selected program.

-If a new program is selected while another program is active, the system will reset to FLAT position before starting the new program.



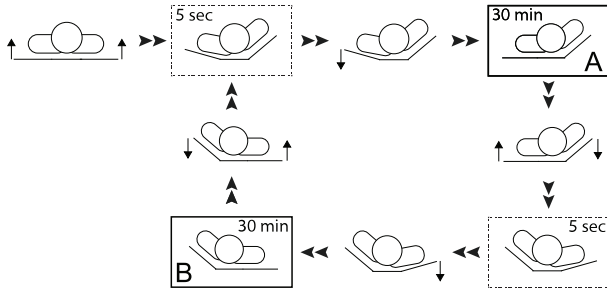
1. Press program buttons as required.
 - To start the AUTO Program, press and hold **(M)** for 3 sec.
 - To start Program 1, press and hold **(N)** for 3 sec.
 - To start Program 2, press and hold **(O)** for 3 sec.
2. To stop a running program press the ON/OFF & CPR button **(A)** or press button **(M)** **(N)** or **(O)**, depending on which program is currently active.

i The hand control will not work when a program is active.

Status Indicators

Active Program	Display	LED
AUTO	AU	AUTO LED active
Program 1	P1	P1 LED active
Program 2	P2	P2 LED active

4.7.1 Auto program sequence



- Starting from the flat position, both wings immediately begin to raise simultaneously.
- Left wing stops at 12° and the right wing stops at 30°.

- 5 seconds after the right wing has reached 30° the left wing lowers to 0°.
- This position A is maintained for 30 minutes.
- Simultaneously the left wing begins to raise and the right wing begins to lower.
- The right wing stops at 12° and the left wing continue to raise up to 30°.
- 5 seconds after the left wing has reached 30° the right wing lowers to 0°.
- This position B is kept for 30 minutes.

The cycle will continue shifting between position A and B, until the program is stopped.

4.8 Charging the battery

The battery is charging when the system is connected to the power supply and turned on.

Charging of the battery is indicated by a dot in the bottom right corner of the display.

The battery will be fully charged after 12 hours.



The battery is NOT charging when error E03 or E04 occurs.

5 Programming

5.1 Individually defined programs

Program 1 and 2 can be individually defined by the care staff by setting the angles of the wings and the times for holding the different positions.

Defining angles

The angles of the left and right wing in the first side position can be defined individually. The second (opposite) side position will automatically be defined as a mirror image of the first side position.

- If the angle for one wing is set between 13°–30°, this wing will be defined as the “primary wing.”
- The opposite wing will then be defined as the “secondary wing” and limits its selectable angle values to 0°–12°.
- The “primary wing” defines the first side position in the program sequence.

Two options for the wing the end-user is laying on (e.g. left wing if the end-user is laying on the left side):

- If the angle of the secondary wing is set to 0° it will be elevated by 12° during the turn movement and move to a horizontal position 5 sec. after the primary wing has reached its set angle, so the end-user will rest on a flat secondary wing.
- If the angle value for the secondary wing is set between 1°–12° it will stay elevated at the selected angle in a side position and the end-user will rest on an elevated secondary wing.



CAUTION!

Risk of falling

If the secondary wing stays elevated while the end-user is resting in a side position, the distance to the top of the side rail is decreased.

- Only use the side rails listed for this situation in *9 Technical Data, page 21*.

Defining the time:

The times for the two side positions and the flat position can be defined individually between 000 and 180 minutes.



The program sequence always starts in the flat position.

If the time for one side position is set to 000 minutes:

- the program will start to transition from the flat position into the first position after the specified time.
- the program will only cycle between the flat and the other side position (e.g. flat-right-flat-right-...)

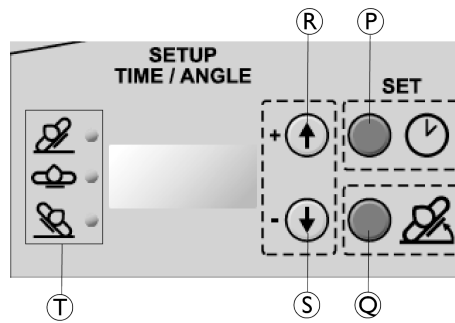
If the time for the flat position is set to 000 minutes:

- the program will start immediately after activation with the transition to the first side position.
- the program will only cycle between the two side position (e.g. left-right-left-right-...).

If the time value for the flat position is set between 3–180 minutes:

- the program will start to transition from the flat position into the first position after the specified time.
- the program will always move into a flat position between the two side positions (e.g. flat-right-flat-left-flat-right-...)














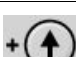



5.2 How to program the individual automated programs




- Ⓟ Set time / Start programming mode button
- Ⓠ Set angle button
- Ⓡ Adjust button Plus (increase values for time and angle)
- Ⓢ Adjust button Minus (decrease values for time and angle)
- Ⓣ Position indicators (LEDs)
 - Right (top) = right wing or position
 - Flat (middle) = both wings in horizontal position
 - Left (bottom) = left wing or position

First the time during which the wings are in an elevated or flat position for Program 1 or Program 2, is programmed and then the angles.

Step	Function	Display	LED	Note	
1	Press and hold for 3 sec.		SEL	none	Start the programming mode
2	Press		P1	P1	Choose the program to be set
	or		P2	P2	
3	Press		010	P1 or P2 & Right 	The time value appears in the display
4	Press	 	001 020	P1 or P2 & Right 	Adjust the time between 000 and 180 minutes (0, 3, 10-180 in +/- 10 min. intervals)
5	Press		010	P1 or P2 & Flat 	The time value appears in the display
6	Press	 	001 020	P1 or P2 & Flat 	Adjust the time between 000 and 180 minutes (0, 3, 10-180 in +/- 10 min. intervals)

Step	Function	Display	LED	Note
7	Press 	010	P1 or P2 & Left 	The time value appears in the display
8	Press  	001 020	P1 or P2 & Left 	Adjust the time between 000 and 180 minutes (0, 3, 10-180 in +/- 10 min. intervals)
9	Press 	A	None	single *BEEP* = The time has now been set.
10	Press 	015	P1 or P2 & Right 	The angle value appears in the display
11	Press  	014 016	P1 or P2 & Right 	Adjust the angle between 00 and 30 degrees (+/- 1 degree interval)
12	Press 	010	P1 or P2 & Left 	The angle value appears in the display
13	Press  	009 011	P1 or P2 & Left 	Adjust the angle between 00 and 30 degrees (+/- 1 degree interval)
14	Press 	—	None	double *BEEP* = The angle has now been set and the entire program is saved.

-  • The programming mode will automatically be closed down without saving, if no buttons are pressed for 2 min.

5.3 Program examples for automated pressure relief

- End-user turning from right side to flat to left side and always laying on a flat wing.
 - Angle primary wing = 13°-30°
 - Angle secondary wing = 0°
 - Time for right, flat and left position > 0 min.


- End-user turning from right to flat to left side and always laying on a slightly elevated wing.
 - Angle primary wing = 13°-30°
 - Angle secondary wing = 1°-12°
 - Time for right, flat and left position > 0 min.

This Program requires “high” side rails.

- End user turning from right to left side, never laying in a flat position and always laying on a flat wing.
 - Angle primary wing = 13°-30°
 - Angle secondary wing = 0°
 - Time flat position = 0 min.
 - Time left and right position > 0 min.
 - see section *Auto program sequence* as an example.
- End user turning from right to left side, never laying in a flat position and always laying on a slightly elevated wing (Cradle function).
 - Angle primary wing = 13°-30°
 - Angle secondary wing = 1°-12°
 - Time flat position = 0 min.
 - Time left and right position > 0 min.

This Program requires “high” side rails.
- End user turning from one side to flat and back to the same side, always laying on a flat wing.
 - Angle primary wing = 13°-30°
 - Angle secondary wing = 0°
 - Time flat position > 0 min.
 - Time left or right side position = 0 min.
- End user turning from one side to flat and back to the same side, always laying on a slightly elevated wing.
 - Angle primary wing = 13°-30°
 - Angle secondary wing = 1°-12°
 - Time flat position > 0 min.
 - Time left or right side position = 0 min.

This Program requires “high” side rails.
- Both wings raised to equal angles without repositioning (Backward hug).
 - Angle primary and secondary wing = 10°-12°
 - Time flat position = 0 min.
 - Time left and right position > 0 min (set values not relevant, see below)

 No automatic repositioning will occur when both wings are set to same angle and therefore, the times set for left or right side position do not have any influence.

6 Maintenance

6.1 General Maintenance Information

- !** **IMPORTANT !**
Service and maintenance of the Soft Tilt must be carried out together with the bed.
– For detailed information on maintenance procedures and checklists see *Bed Service Manual* for the bed in use.

6.2 Cleaning and disinfection

- !** **IMPORTANT!**
Wrong fluids or methods can harm or damage your product.
– Never use corrosive fluids (alkalines, acid, cellulose thinner, acetone etc)
– Never use a solvent that changes the structure of the plastic or dissolves the attached labels.

Electrical components

- !** **IMPORTANT!**
The IP classification determines the washability of the electrical components.
Electronics classified IPx5 and/or IPx6 may NOT be washed with jet based cleaning equipment or in a washing tunnel.
– The IP classification is stated on the serial labels of the electrical components.
– Please also note that the components can have different classification.

Textiles

See attached label on the textile cover for detailed washing instructions

General Cleaning Method

Method: Wipe off with a wet cloth or soft brush.

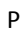
Max temp: 40 °C

Solvent/chemicals: Mild household detergent or soap and water.

- !** **IMPORTANT**
For detailed information of cleaning methods see instructions in the section *Non-washable components* in the *Bed User Manual*

6.3 Battery

We recommend a check of the battery every 6 months:

1. Elevate both wings and unplug the power cable.
2. Press ON/OFF & CPR button  and ensure both wings move into horizontal position.

We recommend replacement of the battery after 4 years – Call dealer/technician to replace battery.

Storage

- !** **IMPORTANT**
Before storage of the Soft Tilt, ensure the system has been turned off completely and the emergency stop button is pressed to prevent the battery from discharging.

7 After Use

7.1 Waste disposal



Waste disposal/recycle must comply with the laws and regulations for waste handling in each country.

Invacare is continuously working towards ensuring that the company's impact on environment, locally and globally, is reduced to a minimum.

We comply with the current environment legislation (e.g. WEEE and RoHS directive).

We only use REACH compliant materials and components.

- All electric parts must be dismantled and be disposed of as electric components.
- Plastic parts must be sent for incineration or recycling.
- Steel parts must be disposed of as waste metals.



IMPORTANT!

- Accumulator back-up
 - Old accumulators must be returned to Invacare or recycled as car batteries

8 Troubleshooting

8.1 Troubleshooting the electrical system

Error	Display (flashes at 0.5 sec. intervals between two codes)		Acoustic Signal	LED (flashes yellow)	Comment	Solution
Stoppage on motor LEFT	E01	E0	10 beeps with 1 sec. ON and 1 sec. OFF	Left	only in Auto mode (no display, acoustic signal and flashing LED in manual mode)	Check the cables to and from the motor for the following: - Cable undamaged. - Cable correctly connected to motor. - Cable connector correctly installed and intact.
Stoppage on motor RIGHT	E02	E0	When trying to activate motor again: 1 beep for 1 sec.	Right		
Battery mode: Power failure OR Emergency stop activated	E03	E0	4 beeps with 1 sec. ON and 1 sec. OFF		- 1st acoustic signal when disconnected from power supply OR the emergency stop is activated. The system switches to battery mode and the wings will stop moving and stay in current position. - 2nd acoustic signal after 20 min. - 3rd acoustic signal after 40 min. - After 60 min the system switches to low battery error (E04).	Connect to power supply AND / OR deactivate the emergency stop to charge and check the battery (refer to chapter <i>Maintenance</i> for further information).
Low battery	E04	E0	4 beeps with 1 sec. ON and 1 sec. OFF		- 1st acoustic signal when the battery is detected to be low while in battery mode. - Further acoustic signals occur every 20 min until the system turns off to save battery power for one CPR lowering.	
Squeeze detection on motor LEFT	E05	E0	10 beeps with 1 sec. ON and 1 sec. OFF	Auto, P1 or P2 (depending on the interrupted program).	The wing on the side of squeeze detection will elevate to 30° and the opposite wing will move to horizontal position. - Wing(s) below 12° degree will elevate to 12°. - Wing above 12° will elevate to 30°	Check if any objects are interfering with the wings when moving down and remove. See the following CAUTION before resetting these errors
Squeeze detection on motor RIGHT	E06	E0				
Squeeze detection on motor LEFT and RIGHT	E07	E0				
System can not be turned on					Although the system is connected to power supply it can not be turned on.	Check if the emergency stop is activated and deactivate if necessary.



CAUTION!
Risk of injury or damage

For squeeze detection errors the CPR / Reset function will overrule the squeeze detection and move the wings down.
– Make sure no objects are interfering with the wings when moving down, before resetting a squeeze detection error (E05, E06 and E07)



Press the ON/OFF & CPR button to reset an ERROR and try again.

Contact your dealer or Invacare representative if the above does not solve your problems.

8.2 Programming Errors

Error display for incorrect setup of values for Program 1 or 2



Error	Display	Acoustic Signal	Comment
Program 1 or 2	E40 for 4 sec.	2 beeps of 5 sec. ON and 1 sec. OFF	Occurs when activating Program 1 or 2 with incorrect time values set. The following combination of time values for the left, right and flat position are defined as incorrect setup: - All three time values = 0 min - Only one time value > 0 min / two time values = 0 min

9 Technical Data

9.1 Characteristics

Automatic Operation	yes
Max. angle in Manual mode	60°
Max. angle in Automatic mode	primary wing = 30° secondary wing = 12°
Angle values in Automatic mode	0°–30° (+/- 1° interval)
Time values in Automatic mode	0, 3, 10–180 min (+/- 10 min intervals)

9.2 Weights

	Max. user weight (provided that the weight of the mattress does not exceed 20 kg)	165 kg
	Max. safe working load weight (including mattress)	185 kg

Weights of Soft Tilt components

Complete (main module and 4 arms)	25 kg
Head arm (1 piece)	1.4 kg
Foot arm (1 piece)	2.4 kg
Main module	14.5 kg
Control Box	2.9 kg

9.3 Allowed mattress sizes

Mattress height and side rail compatibility

! **IMPORTANT**
Depending if the end-user in a side position is laying on a flat wing (mattress horizontal) OR if the wing the end-user is laying on is raised up to 12°, different combinations of mattresses and side rails are required (see appropriate chart below).

– End-user laying on a flat wing

Allowed mattress heights, when the end-user is laying on a flat wing (secondary wing = 0°).

Side rail	Mattress height
Britt V / Line / Line Extended	12–14 cm
Britt V / Line / Line Extended with side rail height extender mounted*	15–29 cm
Scala Medium 2	12–16 cm
Scala Decubi 2	17–25 cm

*Must be dismantled when the side rail is collapsed and the end-user is getting out of the bed.

– End-user laying on a elevated wing

Allowed mattress heights, when the end-user is laying on a up to 12° elevated wing (secondary wing = 1–12°).

Side rail	Mattress height
Britt V / Line / Line Extended with side rail height extender mounted*	12–22 cm
Scala Decubi 2	17–18 cm

*Must be dismantled when the side rail is collapsed and the end-user is getting out of the bed.


Mattress width and length depending on bed width

Bed width	Allowed mattress width	Min. length (cm)
85 cm	83–85 cm	200 cm
90 cm	88–90 cm	200 cm



 A castellated mattress is recommended.

9.4 Environmental conditions

	Storage and transportation	Operation
Temperature	-10°C to +50°C	+5°C to +40°C
Relative humidity	20% to 75%	
Atmospheric pressure	800 hPa to 1060 hPa	

 Be aware that when a bed has been stored under low temperatures, it must be adjusted to operating conditions before use.

9.5 Electrical system

Voltage supply: U _{in} 230 Voltage, AC, 50/60 Hz (AC = Alternating current)
Maximum current input: I _{in} max.1,5 Ampere
Intermittent (periodic motor operation): I _{nt} = Max. 10 %, 2 min ON / 18 min OFF
Insulation class: CLASS II

Type B Applied Part

Applied Part complying with the specified requirements for protection against electrical shock according to IEC60601-1. (An applied parts is a part of the medical equipment which is designed to come into physical contact with the patient or parts that are likely to be brought into contact with the patient.)

Sound level: 58.5 dB (A)
Degree of protection: IPx6* or IPx5** The main module, actuators and hand control are protected according to IPx6. The Control box is protected according to IPx5

* IPX6 classification means that the electrical system is protected against water projected from any direction (not high pressure).

** IPX5 classification means that the electrical system is protected against water low-pressurized water projected from any direction.

10 Electromagnetic compatibility (EMC)

10.1 General EMC information

Medical Electrical Equipment needs to be installed and used according to the EMC information in this manual.

This product has been tested and found to comply with EMC limits specified by IEC/EN 60601-1-2 for Class B equipment.

Portable and mobile RF communications equipment can affect the operation of this product.

Other devices may experience interference from even the low levels of electromagnetic emissions permitted by the above standard. To determine if the emission from this product is causing the interference, run and stop running this product. If the interference with the other device operation stops, then this product is causing the interference. In such rare cases, interference may be reduced or corrected by the following:

- Reposition, relocate, or increase the separation between the devices.

10.2 Electromagnetic emission

Guidance and manufacturer's declaration

This product is intended for use in the electromagnetic environment specified below. The customer or the user of this product should assure that it is used in such an environment.


Emissions test	Compliance	Electromagnetic environment - guidance
RF emissions CISPR 11	Group I	This product uses RF energy only for its internal function. Therefore, its RF emissions are very low and are not likely to cause any interference in nearby electronic equipment.
RF emissions CISPR 11	Class B	This product is suitable for use in all establishments including domestic establishments and those directly connected to the public low-voltage power supply network that supplies buildings used for domestic purposes.
Harmonic emissions IEC 61000-3-2	Class A	
Voltage fluctuations /flicker emissions IEC 61000-3-3	Complies	

10.3 Electromagnetic Immunity

Guidance and manufacturer's declaration

This product is intended for use in the electromagnetic environment specified below. The customer or the user of this product should assure that it is used in such an environment.

Immunity test	Test / Compliance level	Electromagnetic environment – guidance
Electrostatic discharge (ESD) IEC 61000-4-2	± 8kV contact ± 2 kV, ± 4 kV, ± 8 kV, 15 kV air	Floors should be wood, concrete or ceramic tile. If floors are covered with synthetic material, the relative humidity should be at least 30 %.
Electrostatic transient / burst IEC 61000-4-4	± 2 kV for power supply lines; 100 kHz repetition frequency ± 1 kV for input / output lines; 100 kHz repetition frequency	Mains power quality should be that of a typical commercial or hospital environment.
Surge IEC 61000-4-5	± 1 kV line to line ± 2 kV line to earth	Mains power quality should be that of a typical commercial or hospital environment.

Immunity test	Test / Compliance level	Electromagnetic environment – guidance
Voltage dips, short interruptions and voltage variations on power supply input lines IEC 61000-4-11	< 0% U_T for 0,5 cycle at 45° steps 0% U_T for 1 cycles 70% U_T for 25 / 30 cycles < 5% U_T for 250 / 300 cycles	Mains power quality should be that of a typical commercial or hospital environment. If the user of this product requires continued operation during power mains interruptions, it is recommended that the product is powered from an un-interruptible power supply or a battery. U_T is the a. c. mains voltage prior to application of the test level.
Power frequency (50/60 Hz) magnetic field IEC 61000-4-8	30 A/m	Power frequency magnetic fields should be at levels characteristic of a typical location in a typical commercial or hospital environment.
Conducted RF IEC 61000-4-6	3 V 150 kHz to 80 Mhz 6 V in ISM & amateur radio bands	Field strengths from fixed transmitters, such as base stations for radio (cellular/cordless) telephones and land mobile radios, amateur radio, AM and FM radio broadcast and TV broadcast cannot be predicted theoretically with accuracy. To assess the electromagnetic environment due to fixed RF transmitters, an electromagnetic site survey should be considered. If the measured field strength in the location in which this product is used exceeds the applicable RF compliance level above, this product should be observed to verify normal operation. If abnormal performance is observed, additional measures may be necessary, such as reorienting or relocating this product. Interference may occur in the vicinity of equipment marked with the following symbol: 
Radiated RF IEC 61000-4-3	10 V/m 80 Mhz to 2,7 GHz 385 MHz - 5785 MHz test specifications for immunity to RF wireless communication equipment refer to table 9 of IEC 60601-1-2:2014	Portable and mobile RF communications equipment should be used no closer than 30 cm to any part of this product including cables.



These guidelines may not apply in all situations. Electromagnetic propagation is affected by absorption and reflection from structures, objects and people.

Indholdsfortegnelse

Denne vejledning skal overdrages til slutbrugeren. Før du benytter dette produkt, skal du læse denne vejledning, og du bør opbevare den til senere brug.

1 Generelt	26
1.1 Indledning	26
1.1.1 Definitioner	26
1.2 Symboler i denne manual	26
1.3 Tiltænkt anvendelse	26
1.4 Servicelevetid	26
1.5 Garantioplysninger	26
1.6 Ansvarsbegrænsning	26
2 Sikkerhed	28
2.1 Generelle sikkerhedsanvisninger	28
2.2 Mærkater og symboler på produktet	29
2.2.1 Produktmærkat	29
2.2.2 Andre mærkater og symboler	29
3 Udpakning	30
3.1 Generelle sikkerhedsanvisninger	30
3.2 Leveringsomfang	30
3.3 Montering af Soft Tilt	30
4 Brug	33
4.1 Generelle sikkerhedsanvisninger	33
4.2 Oversigt	33
4.3 Styreboks og håndbetjening	33
4.4 TIL/FRA- og CPR-/nulstillingsfunktion	33
4.5 Nødstop	34
4.6 Manuel drift	34
4.6.1 Anbefalede procedurer	34
4.7 Automatisk drift	34
4.7.1 Rækkefølge for automatisk program	35
4.8 Opladning af batteriet	35
5 Programmering	36
5.1 Individuelt definerede programmer	36
5.2 Sådan programmeres de individuelle automatiske programmer	37
5.3 Programeksempler til automatisk lettelse af belastning	38
6 Vedligeholdelse	40
6.1 Oplysninger om generel vedligeholdelse	40
6.2 Rengøring og desinfektion	40
6.3 Batteri	40
7 Efter brug	41
7.1 Bortskaffelse af affald	41
8 Fejlfinding	42
8.1 Fejlfinding i det elektriske system	42
8.2 Programmeringsfejl	43
9 Tekniske Data	44
9.1 Egenskaber	44
9.2 Vægt	44
9.3 Tilladte madrasstørrelser	44
9.4 Miljøforhold	44
9.5 Elektrisk system	44
10 Elektromagnetisk kompatibilitet (EMC)	46
10.1 Generelle oplysninger om elektromagnetisk kompatibilitet (EMC)	46
10.2 Elektromagnetisk emission	46
10.3 Elektromagnetisk immunitet	46

1 Generelt

1.1 Indledning

Denne manual hører til hjælpemidler fra Invacare og indeholder vigtige anvisninger om håndtering og samling. Af sikkerhedsmæssige årsager, bør produktets brugsanvisning læses grundigt, og sikkerhedsanvisningerne følges.

Du kan finde brugsanvisningen på Invacares hjemmeside eller ved at kontakte din Invacare-forhandler. Se adresser sidst i denne manual.

Invacare forbeholder sig retten til at ændre produktspecifikationer uden forudgående varsel.

Før denne manual læses, skal det sikres, at det er den nyeste version. Den nyeste version findes i PDF-format på Invacares hjemmeside.

Hvis skriftstørrelsen i den trykte version af brugsanvisningen er svær at læse, kan brugsanvisningen downloades i PDF-version på hjemmesiden. PDF-filen kan derefter indstilles til en skriftstørrelse på skærmen, der passer dig bedre.

1.1.1 Definitioner

Ved alle henvisninger til højre og venstre forudsættes det, at personen ligger på ryggen i sengen med hovedet ved hovedenden.

1.2 Symboler i denne manual

I denne manual anvendes symboler og signalord til angivelse af faresituationer eller u hensigtsmæssig anvendelse, som kan medføre person- eller produktskader. Se oplysningerne nedenfor for at få en definition af symbolerne.



ADVARSEL

Angiver en potentielt farlig situation, som kan resultere i alvorlig kvæstelse eller dødsfald, hvis den ikke undgås.



FORSIGTIG

Angiver en potentielt farlig situation, som kan resultere i en mindre eller lille kvæstelse, hvis den ikke undgås.



VIGTIGT

Angiver en potentielt farlig situation, som kan resultere i beskadigelse af ejendom, hvis den ikke undgås.



Tips og anbefalinger

Giver nyttige tips, anbefalinger og oplysninger, der sikrer en effektiv, problemfri anvendelse.

1.3 Tiltænkt anvendelse

Soft Tilt og betjeningspanelet er kun beregnet til brug sammen med 85 eller 90 cm brede Invacare® SB 755-senge, der har sengeheste i en passende højde (se diagrammet i 9 Tekniske Data, side 44), overtræk til sengeheste og en madras med opskåret skum (se størrelsesdiagrammet 9 Tekniske Data, side 44)

- Som en del af et generelt plejeprogram til forebyggelse af tryksår.

- Til at forflytte sengeliggende borgere, så de kan ligge på venstre eller højre side eller på ryggen.
- Hjælp borgeren med at komme op i sengen og ud af sengen.
- Når systemet bruges i "automatisk" tilstand, er det designet til at trykaflaste borgerne.
- Når det bruges i "manuel" tilstand, er det designet til at støtte plejeren i at forflytte borgeren fra side til side i sengen.
- Det er velegnet til brug i alle former for hjemmepleje, på bosteder og på plejecentre.

Indikationer

Den tiltænkte patientgruppe for Soft Tilt er:

- Sengeliggende immobile/ delvist immobile voksne borgere.
- Som har brug for pleje i forbindelse med tryksår.
- Som skal have pleje i plejesengen, f.eks. i form af personlig hygiejne, hjælp til at få tøj på osv. Denne gruppe af borgeren overføres ofte fra en seng til en stol med en personløfter eller ved manuel hjælp fra plejepersonalet kombineret med et teknisk hjælpemiddel som f.eks. en rollator.

Kontraindikationer

Soft Tilt er ikke beregnet til psykiatriske, rastløse eller nervøse borgere eller til personer, der har spasmer.

Forholdsregler

- Før Soft Tilt tages i brug, er det vigtigt at evaluere, om Soft Tilt er velegnet til den specifikke slutbruger.
- Af sikkerhedsmæssige årsager må borgeren ikke selv betjene Soft Tilt.



ADVARSEL!

Enhver anden eller forkert brug kan føre til farlige situationer. Invacare påtager sig ikke ansvaret for brug, ændring eller samling af produktet, som afviger fra det, der beskrives i denne brugsanvisning.

1.4 Servicelevetid

Den forventede servicelevetid for dette produkt er fem år, når det anvendes dagligt og i overensstemmelse med sikkerhedsanvisningerne, vedligeholdelsesintervallerne og den korrekte brug, der fremgår af denne brugsanvisning. Den effektive servicelevetid kan variere afhængigt af hyppighed og intensitet af brugen.

1.5 Garantioplysninger

Vi yder en producentgaranti på produktet i overensstemmelse med vores almindelige forretningsbetingelser og vilkår i de respektive lande.

Der kan kun rejses garantikrav gennem den forhandler, som produktet er købt hos.

1.6 Ansvarsbegrænsning

Invacare påtager sig ikke ansvaret for skader, der skyldes:

- Manglende overholdelse af brugsanvisningen
- Forkert anvendelse
- Almindeligt slid

- Forkert samling eller indstilling foretaget af køber eller en tredjepart
- Tekniske ændringer
- Uautoriserede ændringer og/eller brug af uegnede reservedele

2 Sikkerhed

2.1 Generelle sikkerhedsanvisninger



ADVARSEL!

Kun kompatibel med Invacare® SB 755-senge
Soft Tilt er specialdesignet og må kun bruges sammen med Invacare® SB 755-senge med en bredde på 85 eller 90 cm.



ADVARSEL!

Risiko for at falde

Hvis Soft Tilt bruges uden sengeheste eller med de forkerte sengeheste, er der risiko for, at slutbrugeren kan falde ud af sengen.

- Soft Tilt må aldrig bruges på en seng uden sengeheste.
- Soft Tilt må kun bruges i kombination med Invacare-sengeheste, der er angivet i *9 Tekniske Data, side 44*.
- Sørg altid for, at sengehesten er oppe i den modsatte side af, hvor plejepersonalet er placeret, ELLER hvis plejepersonalet er placeret på begge sider i sengen, når der bruges manuel tilstand.
- Sørg altid for, at begge sengeheste er oppe når automatisk tilstand er aktiveret.



ADVARSEL!

Fare for at komme i klemme og/eller blive kvalt

Hvis sengehestene bruges uden kappe eller med en ikke-åndbar kappe, er der risiko for, at slutbrugeren kan komme i klemme eller blive kvalt.

- Brug altid en åndbar kappe til sengehestene, når Soft Tilt anvendes.



ADVARSEL!

Fare for at falde ned og/eller komme i klemme

- Udfør altid en risikovurdering af slutbrugers tilstand og bevægelsesevne.
- Brug aldrig Soft Tilt, hvis slutbrugeren er nervøs eller rastløs.
- Sørg altid for, at slutbrugeren er anbragt i midten af sengen, og at alle slutbrugers kropsdele er på madrassen, før vingerne flyttes.
- Efterlad aldrig slutbrugeren uden opsyn, når den manuelle tilstand bruges.
- Slutbrugeren må aldrig komme ind i eller ud af sengen, mens vingerne flyttes manuelt, eller mens den automatiske tilstand er aktiveret.
- Håndbetjeningen skal altid bruges af plejeren.



ADVARSEL!

Risiko for personskade eller produktskade

Forkert håndtering af kabler kan forårsage elektrisk stød eller produktfejl.

- Undlad at bøje eller skære i strømledningen eller beskadige den på anden vis.
- Kør ikke over strømledningen med svinghjulene.
- Undgå at føre strømledningen ind i bevægelige dele.
- Tag stikket ud af strømforsyningen, før sengen flyttes.
- Sørg for, at ingen kabler (netledningen eller kabler fra andet udstyr) kommer i klemme eller på anden måde bliver beskadiget, når sengen er i brug.
- Hold sengekomponenter og tilbehørsdele mindst 30 cm væk fra opvarmede flader og direkte sollys.

Madrasser



ADVARSEL!

Sikkerhedsaspekter vedrørende kombinationen af sengeheste og madrasser:

For at opnå det højeste mulige sikkerhedsniveau, når der bruges sengeheste på sengen, skal minimums- og maksimumsmålene for madrasser overholdes.

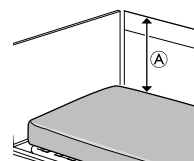
- Find de korrekte madrasmål i madrastabellerne i kapitel *9 Tekniske Data, side 44*.



ADVARSEL!

Fare for at komme i klemme og/eller blive kvalt

- Slutbrugeren kan komme i klemme og/eller blive kvalt, hvis det vandrette mellemrum mellem madrassiden og indersiden af sengehesten er for stort. Overhold minimumsbredden (og -længden) for madrasser sammen med en given sengehest, som angivet i madrastabellen i kapitel *9 Tekniske Data, side 44*.
- Vær opmærksom på, at risikoen øges ved brug af meget tykke eller bløde madrasser (lav densitet) eller en kombination af begge.



ADVARSEL!

Risiko for at falde

Slutbrugeren kan falde ud over kanten og blive alvorligt kvæstet, hvis det lodrette mellemrum **A** mellem toppen af madrassen og kanten af sengehesten/gavlen er for kort. Se billedet ovenfor.

- Sørg altid for en minimumsafstand **A** på 22 cm på siden med den vinge, som slutbrugeren ligger på (sekundær vinge hævet til maks. 12°).
- Overhold maksimumhøjden for madrasser sammen med sengehesten som angivet i madrastabellen i kapitel *9 Tekniske Data, side 44*.

Elektromagnetisk interferens



ADVARSEL!

Risiko for fejlfunktion på grund af elektromagnetisk interferens

Der kan opstå elektromagnetisk interferens mellem dette produkt og andet elektrisk udstyr, og det kan forstyrre dette produkts elektriske justeringsfunktioner. Denne elektromagnetiske interferens kan forhindres, reduceres eller fjernes på følgende måde:

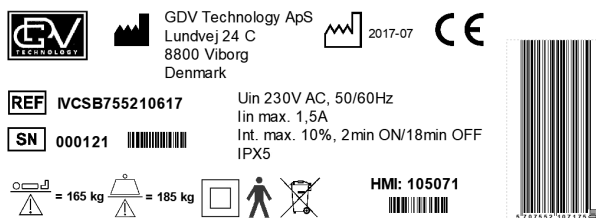
- Brug kun kabler, tilbehør og reservedele, der er originale, så du ikke øger dette produkts elektromagnetiske emission eller dets elektromagnetiske immunitet.
- Undlad at bruge bærbart RF-kommunikationsudstyr (radiofrekvens) tættere end 30 cm fra nogen del af dette produkt (inklusive kabler).
- Undlad at bruge dette produkt i nærheden af aktivt højfrekvensoperationsudstyr og det RF-afskærmede lokale for et MRI-system (Magnetic Resonance Imaging), hvor der er en høj intensitet af elektromagnetiske forstyrrelser.
- Hvis der opstår forstyrrelser, skal du øge afstanden mellem dette produkt og det andet udstyr eller slukke for det.
- Se de detaljerede oplysninger, og følg anvisningerne i kapitlet *10 Elektromagnetisk kompatibilitet (EMC)*, side 46.

Symboler

	Serienummer
	Referencenummer
	Producentadresse
	Fremstillingsdato
	Maks. brugervægt
	Maks. sikker arbejdsbelastning
	Isoleringsklasse 2
	Anvendt del af type B
	WEEE-overensstemmelse
	Dette produkt overholder EU-direktivet 93/42/EØF om medicinsk udstyr. Lanceringsdatoen for dette produkt fremgår af CE-overensstemmelseserklæringen.

2.2 Mærkater og symboler på produktet

2.2.1 Produktmærkat



Soft Tilt for Invacare® SB 755

Produktmærkaten er placeret på hovedmodulet på Soft Tilt og indeholder de primære produktoplysninger, herunder tekniske data.

Forkortelser for tekniske data:

- lin = indgangsstrøm
- Uin = indgangsspænding
- Int. = intermittens
- AC = vekselstrøm
- Max = maksimum
- min = minutter

Se *9 Tekniske Data*, side 44 for at få yderligere oplysninger om tekniske data.

2.2.2 Andre mærkater og symboler

	Se brugsanvisningen
--	---------------------

3 Udpakning

3.1 Generelle sikkerhedsanvisninger

Ved modtagelse af produktet skal emballagen kontrolleres. Hvis emballagen viser tegn på beskadigelse ved levering, skal du kontakte transportfirmaet.



ADVARSEL!

Risiko for personskade eller produktskade

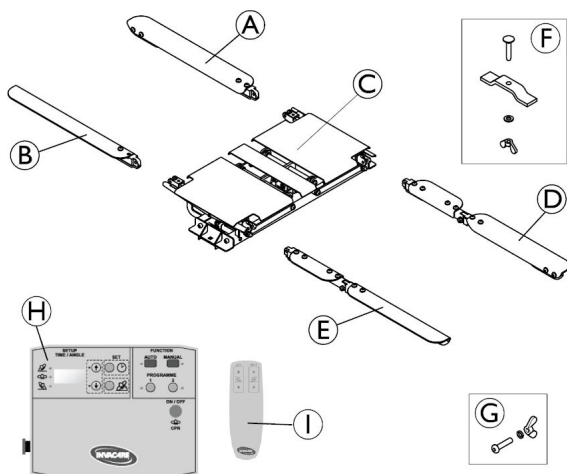
Samlingen og installationen skal foretages af autoriseret eller uddannet personale.

- Følg anvisningerne nøje. Hvis du har spørgsmål i forbindelse med samlingen, skal du kontakte din lokale forhandler eller din Invacare-forhandler.
- Hvis produktet viser nogen form for tegn på beskadigelse, skal du undlade at bruge produktet. Kontakt din lokale forhandler eller din Invacare-forhandler.
- Produktets elektriske udstyr må ikke afmonteres eller kombineres med andet elektrisk udstyr.
- Kontrollér efter hver samling, at alle beslag er spændt korrekt, og at alle dele fungerer korrekt.

3.2 Leveringsomfang

Soft Tilt leveres delvist samlet i en papkasse.

Hovedkomponenter



- A Hovedendearm på venstre vinge
- B Hovedendearm på højre vinge
- C Hovedmodul (færdigsamlet enhed)
- D Fodendearm på venstre vinge
- E Fodendearm på højre vinge
- F 2 sæt: Fæsteplade, bræddebolt, spændeskive, vingemøtrik
- G 4 sæt: Sekskantet bolt, spændeskive, vingemøtrik
- H Styreboks
- I Håndbetjening

Tekstilkappe (ikke vist på billedet)

3.3 Montering af Soft Tilt

Montering af hovedmodulet



FORSIGTIG!

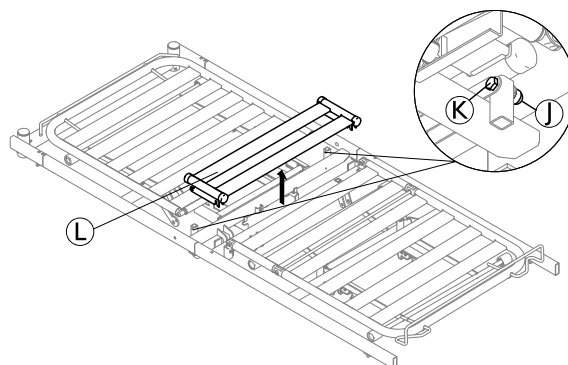
Risiko for personskade eller produktskade

Ved at holde hovedmodulet på forkerte dele under løft, kan det forårsage skade på produktet eller personskade.

- Hold kun hovedmodulet på vingernes dækplader eller monteringsbeslagene på bundrammen.
- Hold ikke på den midterste dækplade.
- Hold ikke på bjælkerne til klemningsbeskyttelse, som er placeret under vingerne på venstre og højre side.

1.

a.

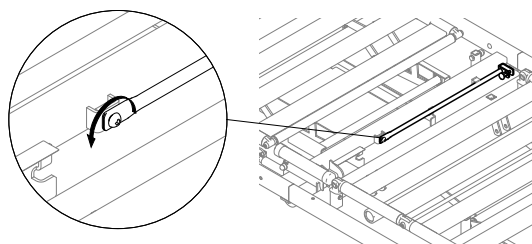


På hver side af sengen skal du fjerne møtrikken J og bolten K ved hjælp af to 13 mm nøgler for at tage lamelsamlingen L af sengen.



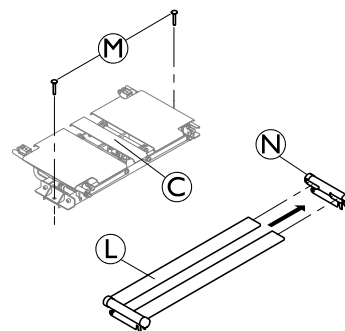
For senge, der har trælameller, skal der bruges 2 ekstra aluminiumslameller til at erstatte trælamellerne i lamelsamlingen L.

b. Det ekstra trin er kun påkrævet for delbare senge (SB 755D)



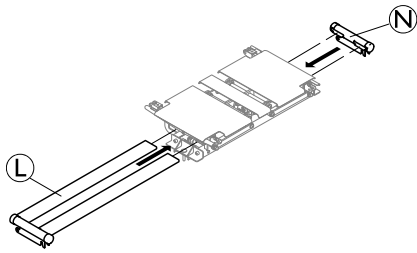
Løsn og fjern afstandspinden, der sidder ved tværstangen i hovedenden på madrassbunden, og hold den ved hånden, så den kan sættes på, når Soft Tilt fjernes fra sengen igen.

2.



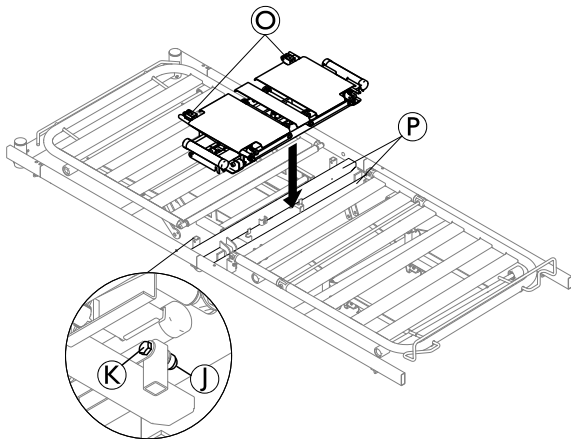
Placer de fire bræddebolte M i hullerne til beslagene på hovedmodulet C, og fjern et af beslagene N fra lamelsamlingen L.

3.



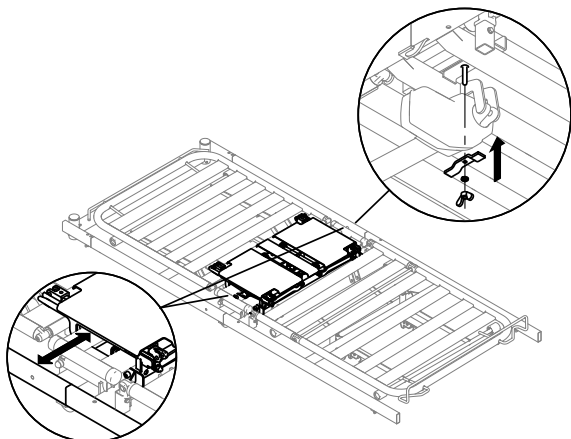
Indsæt de løse ender på de to lameller under dækpladerne på hovedmodulet, og sæt dem tilbage i beslaget **N** på den anden side.

4.



Placer hovedmodulet med lamelsamlingen på tværstængerne **P**, så de lange forbindelsesarme **Q** vender mod sengens hovedende. Sørg for, at motorernes kabler kører mellem tværstængerne **P**, og at der ikke er nogen kabler, der kommer i klemme. Fastgør lamelsamlingen med de bolte **K** og møtrikker **J**, der blev taget ud i trin 1.

5.



Sørg for, at hovedmodulet er placeret i midten af madrasbundrammen, og at afstanden til siderørene er den samme på begge sider. Fastgør hovedmodulet til tværstængerne på madrasbundrammen med fæstepladens spændeskiver og møtrikker nedefra på begge sider af sengen.

Ledninger og kabler

Styreboksen og håndbetjeningen skal hænges på fodpladen.



Tilslutninger ved styreboksen

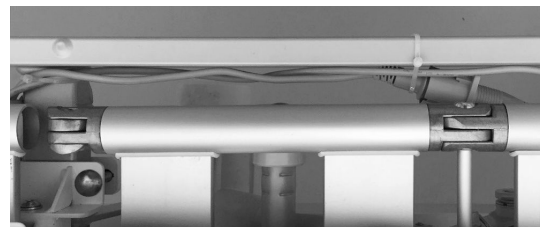
- **Q** Strømforsyning
- **R** Stik til håndbetjening og klemningsbeskyttelse via forgrenerledning
- **S** Højre motor
- **T** Venstre motor

1. Slut ledningerne på højre og venstre motor til de to forlængerledninger **S** og **T** fra styreboksen.
2. Tilslut håndbetjeningen til den korte ende af forgrenerledningen **R**, og tilslut strømledningen **Q** til ledningsnettet.
3. Deaktiver nødstopet, tænd for systemet, aktivér manuel tilstand, og brug håndbetjeningen til at kontrollere, at venstre og højre motor er sluttet korrekt til styreboksen (se kapitlet *Brug* for at få flere anvisninger).
- 4.




Hæv begge vinger på hovedmodulet, og fjern den tape, der holder kablet til klemningsbeskyttelsesstikkene på plads på hovedmodulet. Læg stikkablerne på den ene side af sengen, og bevæg den frie ende ind under den første tværstang og oven på den anden tværstang hen mod fodenden af sengen. Slut kablet til den længste ende af forgrenerledningen **R**. Fastgør hvert enkelt kabel fra klemningsbeskyttelsesstikkene med en plastikstrip ved tværstangen og Soft Tilt-rammen, så de vender mod hovedenden af sengen.

5.

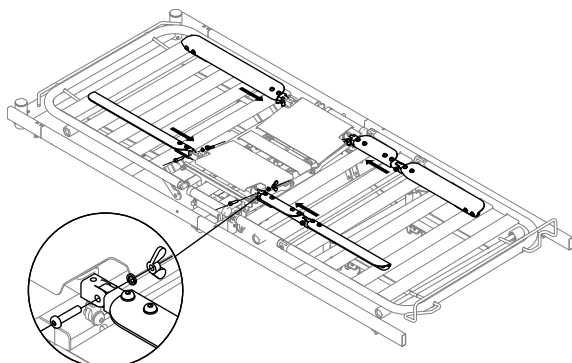


Sørg for, at alle kabler føres under sengelamellerne, og fastgør et motorkabel sammen med stikkablet på siden af sengen og det andet motorkabel på den anden side af sengen med tre plastikstrips på hver side. Den første strip placeres på tværstangen, og de resterende to placeres på siderøret, så de vender mod fodenden på sengen.

-  Flyt sengen helt op og helt med for at sikre, at der ikke er nogen kabler, der kommer i klemme.

Montering af arme og kappe

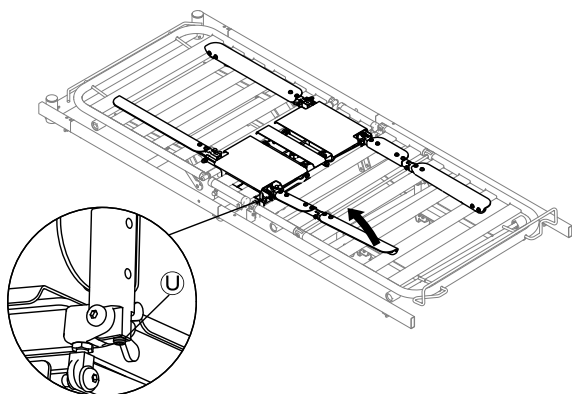
1. Sørg for, at begge vinger på hovedmodulet er en smule hævede, så tilslutningerne til armene er tilgængelige.
- 2.




Tilslut de fire arme til hovedmodulet, og sørg for, at armene med hængslet placeres over knæbøjningshængslet, og at de kurvede sider på alle arme peger udad. Fastgør de fire arme med boltene med sekskantet kærnv, og spænd de vingemøtrikker, der vender indad. Sørg for, at sikkerhedsskiverne placeres under vingemøtrikkerne.

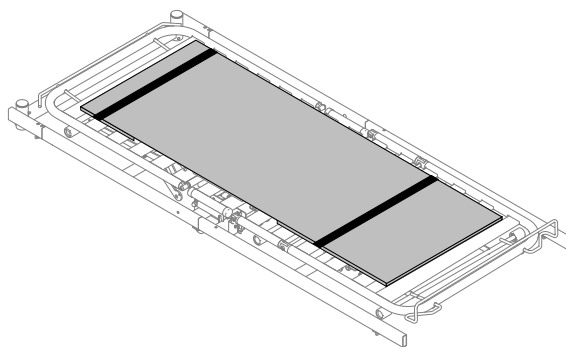
3.

- !** **VIGTIGT!**
Ved montering skal det sikre, at de fire arme er i vandret position – og at de bliver justeret, hvis det er nødvendigt



For at justere armenes position skal de foldes opad ved leddene til hovedmodulet, og skruen  skal justeres, indtil armene er i vandret position, når de foldes ned igen.

4.



Monter kappen ved at skubbe lommerne over armene i hovedenden og fodenden. Kappens hovedende er markeret med "TOP".

- !** **VIGTIGT!**
Soft Tilt må ikke bruges uden kappen.

5. Anbring og fastgør madrassen på Soft Tilt.
 - a. Frigør velcrolukningen på begge stropper på siden af kappen, og fold dem væk til siden.
 - b. Læg madrassen på sengen oven på Soft Tilt (du kan få mere at vide om compatible madrasser under 9 *Tekniske Data, side 44*).
 - c. Før stropperne over madrassen, og luk velcrolukningen igen for at fastgøre madrassen forsvarligt til Soft Tilt.

4 Brug

4.1 Generelle sikkerhedsanvisninger



ADVARSEL!

Skaderisiko eller risiko for beskadigelse af ejendom.

- Sengen skal placeres, så højdeindstillingen ikke generes af f.eks. personløftere eller møbler.
- Sørg for, at ingen kropsdele kommer i klemme mellem fastmonterede dele (som f.eks. sengeheste, gavle osv.) og bevægelige dele.
- Håndbetjeningen må ikke anvendes af børn.
- Håndbetjeningen må kun bruges af plejeren.



VIGTIGT

- Hvis der opstår strømsvigt, sikrer batteriet, at der er mulighed for at nulstille Soft Tilt via "CPR"-funktionen.
- Sørg for, at batteriet er fuldt opladet, før du tager Soft Tilt i brug.
 - Se under Batteri i afsnittet Vedligeholdelse for at få flere oplysninger.

4.2 Oversigt

Soft Tilt kan enten betjenes i manuel eller automatisk tilstand.

I begge tilstande er det muligt at aktivere sengens normale funktioner.



Det anbefales at have hovedenden hævet en smule, mens Soft Tilt bruges, for at give slutbrugeren en mere behagelig position.

Manuel tilstand

Den manuelle tilstand er designet til at støtte plejeren i at forflytte borgeren fra side til side i sengen.

Vingerne kan hæves og sænkes via håndbetjeningen (se afsnittet *Manuel drift*).

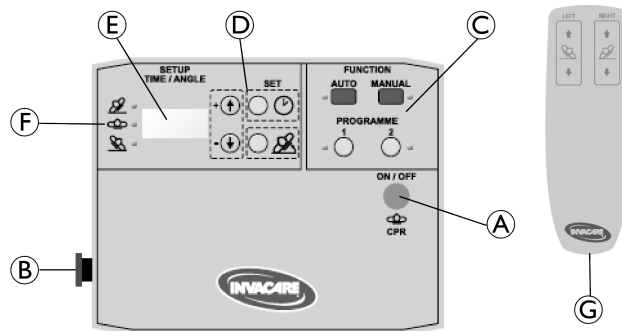
Automatisk tilstand

Den automatiske tilstand er designet til at trykflaste borgeren.

I AUTO-programmet flyttes vingerne automatisk i overensstemmelse med foruddefinerede parametre for tid og vinkel (se afsnittet *Rækkefølge for automatisk program*).

I program 1 og 2 flyttes vingerne automatisk i overensstemmelse med individuelt definerede parametre for tid og vinkel (se kapitlet *Programmering*).

4.3 Styreboks og håndbetjening



- (A) Tænd/sluk- og CPR-knap (hjertestopfunktion)
- (B) Nødstopknap
- (C) Funktionsknapper til at vælge betjeningstilstanden.
- (D) Opsætningsknapper til at indstille parametrene for program 1 og 2
- (E) Display
- (F) Positionsindikatorer
- (G) Håndbetjening

4.4 TIL/FRA- og CPR-/nulstillingsfunktion

Tænd for systemet

1. Tryk og hold knappen (A) nede i 3 sekunder for at tænde for systemet.

CPR-/nulstillingsfunktion

CPR (cardio-pulmonal genoplivning)-/nulstillingsfunktionen tilsidesætter alle kommandoer og flytter begge vinger til vandret position.

1. For at aktivere CPR-/nulstillingsfunktionen skal du trykke på knappen (A) (uden at holde den nede).

Sluk for systemet

1. Tryk på knappen (A) for at nulstille systemet. Hvis det er relevant, skal du vente, indtil begge vinger er flyttet til vandret position.
2. Tryk og hold knappen (A) nede i 3 sekunder for at slukke for systemet.

Display

Systemstatus	Display	Note
FRA		Displayet er tomt
TIL	software-version (3-cifret tal)	Vises, 2 sekunder efter at systemet er blevet tændt. (skifter til passiv tilstand, hvis der ikke vælges en funktion).
TIL	— — —	Passiv tilstand (ingen funktion valgt)
Nulstil	FRA	Vises, efter at CPR-/nulstillingsfunktionen er blevet aktiveret. Systemet skifter derefter til passiv tilstand.

4.5 Nødstop

! VIGTIGT

Når nødstoppet er aktiveret, kan CPR-funktionen stadig aktiveres ved at trykke på knappen **A**, så vingerne om nødvendigt kan sænkes til vandret position.

Når nødstoppet er aktiveret, stopper den alle funktioner og bevægelser med det samme (vinger bliver i den aktuelle position).

1. Tryk på knappen **B** for at aktivere funktionen.
2. Drej knappen **B** med uret for at deaktivere funktionen.
3. Tryk på knappen **A** for at nulstille systemet.

4.6 Manuel drift



ADVARSEL!

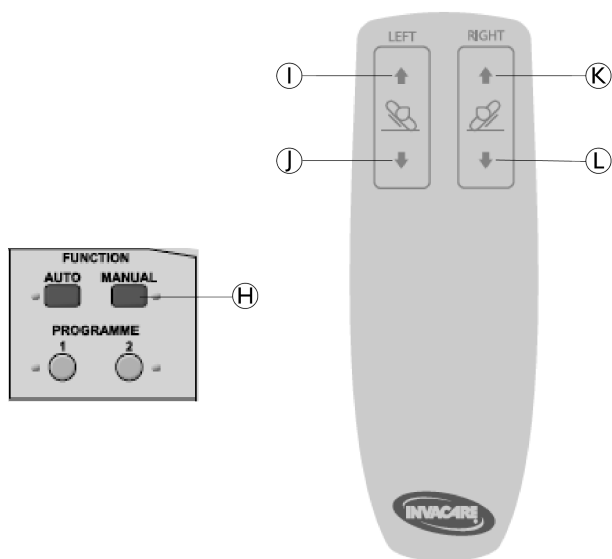
Risiko for at komme i klemme og personskade

Hvis begge vinger hæves samtidig til vinkler på over 12°, er der risiko for, at patienten kommer i klemme.

– Denne funktion må kun bruges af uddannet personale.



Første gang MANUEL drift aktiveres, efter at systemet er blevet tændt, nulstiller det sig selv, før funktionen kan bruges.



1. Tryk og hold knappen **H** nede i 3 sekunder for at aktivere manuel drift.
2. Tryk på knapperne på håndbetjeningen efter behov.

- Tryk på **1** for at hæve venstre vinge
- Tryk på **J** for at sænke venstre vinge
- Tryk på **K** for at hæve højre vinge
- Tryk på **L** for at sænke højre vinge



– Venstre og højre knap kan aktiveres på samme tid, så begge vinger flyttes samtidig.
– Vingerne kan flyttes i et interval mellem 0° og 60°.

3. Hvis du vil deaktivere manuel drift, skal du trykke på **H** eller på TÆND/SLUK- og CPR-knappen **A**.

Statusindikatorer

Display	LED
0 = ingen aktivitet	MANUEL LED aktiv
U = vingen flyttes opad	
d = vingen flyttes nedad	

4.6.1 Anbefalede procedurer

Flyt fra flad position til siden:



1. Hæv begge vinger samtidig for at gøre det mere behageligt for slutbrugeren.
2. Når begge vinger er hævet en smule, skal du fortsætte ved kun at hæve den primære vinge og lade den anden vinge være i position.
3. Når den primære vinge har nået den ønskede højde, kan du vælge at sænke den sekundære vinge til vandret position.

Flyt den fra den ene side til den anden:



1. Hæv den lave side, og sænk den høje side på samme tid
2. Stop med at sænke den sekundære vinge, mens den stadig er en smule hævet, og fortsæt med kun at hæve den primære vinge.
3. Når den primære vinge har nået den ønskede højde, kan du vælge at sænke den sekundære vinge til vandret position.

4.7 Automatisk drift

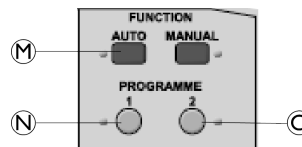
AUTO-programmet er forudindstillet og kan ikke ændres.

Program 1 og 2 kan defineres individuelt af plejeren (se kapitlet *Programmering*). Ved leveringen er programmerne tomme, og de skal defineres før brug.




– Hvis et af programmerne aktiveres, nulstilles systemet til FLAD position, før det valgte program startes.

– Hvis der vælges et nyt program, mens et andet program er aktivt, nulstilles systemet til FLAD position, før det nye program startes.



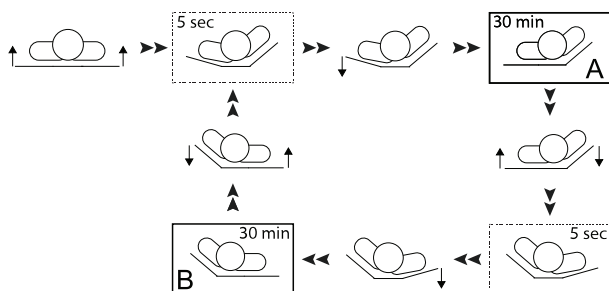
1. Tryk på programknapperne efter behov.
 - Tryk og hold **M** nede i 3 sekunder for at starte AUTO-programmet.
 - Tryk og hold **N** nede i 3 sekunder for at starte program 1.
 - Tryk og hold **O** nede i 3 sekunder for at starte program 2.
2. Hvis du vil stoppe et igangværende program, skal du trykke på TÆND/SLUK- og CPR-knappen **A** eller trykke på knappen **M**, **N** eller **O**, afhængigt af hvilket program der aktuelt er aktivt.

 Håndbetjeningen virker ikke, når et program er aktivt.

Statusindikatorer

Aktivt program	Display	LED
AUTO	AU	AUTO-LED aktiv
Program 1	P1	P1-LED aktiv
Program 2	P2	P2-LED aktiv

4.7.1 Rækkefølge for automatisk program



- Startende fra den flade position begynder begge vinger øjeblikkeligt at blive hævet samtidig.

- Venstre vinge stopper ved 12°, og højre vinge stopper ved 30°.
- 5 sekunder efter at højre vinge har nået 30°, sænkes venstre vinge til 0°.
- Denne position A holdes i 30 minutter.
- Samtidig begynder venstre vinge at blive hævet, og højre vinge begynder at blive sænket.
- Højre vinge stopper ved 12°, og venstre vinge fortsætter med at blive hævet op til 30°.
- 5 sekunder efter at venstre vinge har nået 30°, sænkes højre vinge til 0°.
- Denne position B holdes i 30 minutter.


Cyklussen fortsætter med at skifte mellem position A og B, indtil programmet stoppes.

4.8 Opladning af batteriet

Batteriet oplader, når systemet er koblet til strømforsyningen og er tændt.

Opladning af batteriet angives af en prik i nederst højre hjørne af skærmen.

Det tager cirka 12 timer at oplade batteriet helt.

 Batteriet oplader IKKE, hvis fejlen E03 eller E04 opstår.

5 Programmering

5.1 Individuelt definerede programmer

Program 1 og 2 kan defineres individuelt af plejeren ved at indstille vingernes vinkler og tiderne for, hvor lang tid de forskellige positioner skal holdes.

Definition af vinkler

Vinklerne for venstre og højre vinge i den første sideposition kan defineres individuelt. Den anden (modsatte) sideposition defineres automatisk som en spejling af den første sideposition.

- Hvis vinklen for den ene vinge indstilles til mellem 13° og 30°, defineres denne vinge som den "primære vinge".
- Den modsatte vinge defineres derefter som den "sekundære vinge", og de mulige vinkler for vinge begrænses til mellem 0° og 12°.
- Den "primære vinge" definerer den første sideposition i programrækkefølgen.

To funktioner for den vinge, som slutbrugeren ligger på (f.eks. venstre vinge, hvis slutbrugeren ligger på venstre side):

- Hvis vinklen på den sekundære vinge er indstillet til 0°, hæves den med 12° i løbet af vendebevægelsen og flyttes til en vandret position, 5 sekunder efter at den primære vinge har nået sin indstillede vinkel, så slutbrugeren hviler på en flad sekundær vinge.
- Hvis vinkelværdien for den sekundære vinge er indstillet til mellem 1° og 12°, bliver den ved med at være hævet i den valgte vinkel i en sideposition, og slutbrugeren hviler på en hævet sekundær vinge.



FORSIGTIG!

Risiko for at falde

Hvis den sekundære vinge forbliver hævet, mens slutbrugeren hviler i en sideposition, mindskes afstanden til toppen af sengehesten.

- Brug kun sengehestene, der er angivet til denne situation, i *9 Tekniske Data, side 44*.

Definition af tiden:

Tiderne for de to sidepositioner og den flade position kan defineres individuelt mellem 000 og 180 minutter.



Programrækkefølgen starter altid i den flade position.

Hvis tiden for den ene sideposition er indstillet til 000 minutter:

- programmet begynder overgangen fra den flade position til den første position efter det valgte tidsrum.
- programmet skifter kun mellem den flade position og den anden sideposition (f.eks. flad-højre-flad-højre- ...).

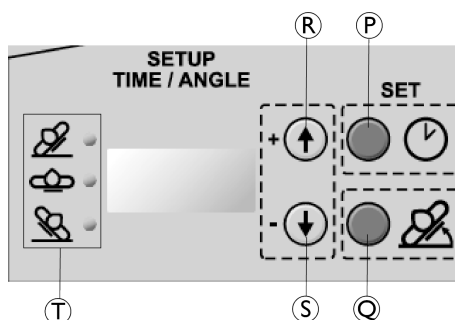
Hvis tiden for den flade position er indstillet til 000 minutter:

- programmet starter med det samme efter aktivering med overgangen til den første sideposition.
- programmet skifter kun mellem de to sidepositioner (f.eks. venstre-højre-venstre-højre- ...).

Hvis tidsværdien for den flade position er indstillet til mellem 3 og 180 minutter:

- programmet begynder overgangen fra den flade position til den første position efter det valgte tidsrum.
- programmet skifter altid til en flad position mellem de to sidepositioner (f.eks. flad-højre-flad-venstre-flad-højre ...).








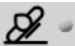


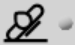






5.2 Sådan programmeres de individuelle automatiske programmer



- (P) Knap til indstilling af tid/start af programmeringstilstand
- (Q) Knap til indstilling af vinkel
- (R) Justeringsknap – plus (forøg værdierne for tid og vinkel)
- (S) Justeringsknap – minus (formindsk værdierne for tid og vinkel)
- (T) Positionsindikatorer (LED'er)
 - Højre (top) = højre vinge eller position
 - Flad (midt) = begge vinger i vandret position
 - Venstre (bund) = venstre vinge eller position

Først programmeres den tid, hvori vingerne er i hævet eller flad position for program 1 eller program 2, og derefter programmeres vinklerne.

Trin	Funktion	Display	LED	Note	
1	Tryk og hold i 3 sek.		SEL	ingen	Start programmeringstilstanden
2	Tryk		P1	P1	Vælg det program, der skal indstilles
	eller		P2	P2	
3	Tryk		010	P1 eller P2 og Højre 	Tidsværdien vises i displayet
4	Tryk	 	001 020	P1 eller P2 og Højre 	Indstil tiden mellem 000 og 180 minutter (0, 3, 10-180 i intervaller på +/- 10 min.)
5	Tryk		010	P1 eller P2 og Flad 	Tidsværdien vises i displayet
6	Tryk	 	001 020	P1 eller P2 og Flad 	Indstil tiden mellem 000 og 180 minutter (0, 3, 10-180 i intervaller på +/- 10 min.)

Trin	Funktion	Display	LED	Note
7	Tryk 	010	P1 eller P2 og Venstre 	Tidsværdien vises i displayet
8	Tryk  	001 020	P1 eller P2 og Venstre 	Indstil tiden mellem 000 og 180 minutter (0, 3, 10-180 i intervaller på +/- 10 min.)
9	Tryk 	A	Ingen	enkelt *BIP* = tiden er nu indstillet.
10	Tryk 	015	P1 eller P2 og Højre 	Vinkelværdien vises i displayet
11	Tryk  	014 016	P1 eller P2 og Højre 	Indstil vinklen mellem 00 og 30 grader (interval på +/- 1 grad)
12	Tryk 	010	P1 eller P2 og Venstre 	Vinkelværdien vises i displayet
13	Tryk  	009 011	P1 eller P2 og Venstre 	Indstil vinklen mellem 00 og 30 grader (interval på +/- 1 grad)
14	Tryk 	—	Ingen	dobbelt *BIP* = vinklen er nu indstillet, og hele programmet er gemt.



- Programmeringstilstanden lukkes automatisk ned uden at gemme, hvis der ikke trykkes på nogen knapper i 2 minutter.

5.3 Progameksempler til automatisk lettelse af belastning


- Slutbrugeren vendes fra højre side til flad position til venstre side og ligger altid på en flad vinge.
 - Vinkel for primær vinge = 13°-30°
 - Vinkel for sekundær vinge = 0°
 - Tid for højre, flad og venstre position > 0 min.

- Slutbrugeren vendes fra højre til flad position til venstre side og ligger altid på en lidt hævet vinge.
 - Vinkel for primær vinge = 13°-30°
 - Vinkel for sekundær vinge = 1°-12°
 - Tid for højre, flad og venstre position > 0 min.
 Dette program kræver "høje" sengeheste.

- Slutbrugeren vendes fra højre side til venstre side og ligger aldrig i flad position og altid på en flad vinge.
 - Vinkel for primær vinge = 13°-30°
 - Vinkel for sekundær vinge = 0°
 - Tid for flad position = 0 min.
 - Tid for venstre og højre position > 0 min.
 - se afsnittet *Rækkefølge for automatisk program* som eksempel.
- Slutbrugeren vendes fra højre side til venstre side og ligger aldrig i flad position og altid på en lidt hævet vinge (holderfunktion).
 - Vinkel for primær vinge = 13°-30°
 - Vinkel for sekundær vinge = 1°-12°
 - Tid for flad position = 0 min.
 - Tid for venstre og højre position > 0 min.

Dette program kræver "høje" sengeheste.
- Slutbrugeren vendes fra en side til flad position og tilbage til samme side og ligger altid på en flad vinge.
 - Vinkel for primær vinge = 13°-30°
 - Vinkel for sekundær vinge = 0°
 - Tid for flad position > 0 min.
 - Tid for venstre og højre sideposition = 0 min.
- Slutbrugeren vendes fra en side til flad position og tilbage til samme side og ligger altid på en let hævet vinge.
 - Vinkel for primær vinge = 13°-30°
 - Vinkel for sekundær vinge = 1°-12°
 - Tid for flad position > 0 min.
 - Tid for venstre og højre sideposition = 0 min.

Dette program kræver "høje" sengeheste.
- Begge vinger hævet til den samme vinkel uden flytning (omvendt kram).
 - Vinkel for primær og sekundær vinge = 10°-12°
 - Tid for flad position = 0 min.
 - Tid for venstre og højre position > 0 min (de indstillede værdier er ikke relevante – se nedenfor)

 Der sker ingen automatisk flytning, når begge vinger er indstillet til den samme vinkel. Derfor har de tider, der er indstillet for venstre eller højre sideposition, ingen påvirkning.

6 Vedligeholdelse

6.1 Oplysninger om generel vedligeholdelse

- !** **VIGTIGT!**
Service og vedligeholdelse af Soft Tilt skal udføres sammen med sengen.
– Se *servicemanualen* til den seng, der anvendes, for at få detaljerede oplysninger om vedligeholdelsesprocedurer og tjeklister.

6.2 Rengøring og desinfektion

- !** **VIGTIGT!**
Forkerte væsker eller metoder kan beskadige produktet.
– Brug aldrig korroderende væsker (basiske rengøringsmidler, syre, cellulosefortynder, acetone osv.).
– Brug aldrig opløsningsmidler, der ændrer plastens struktur eller opløser de påsatte mærkater.

Elektriske komponenter

- !** **VIGTIGT!**
IP-klassificeringen bestemmer, om de elektriske komponenter kan vaskes af.
Elektronik klassificeret som IPx5 og/eller IPx6 kan IKKE vaskes af med vandstrålebaseret rengøringsudstyr eller i et vaskerør.
– IP-klassificeringen er anført på seriemærkaterne på de elektriske komponenter.
– Bemærk også, at komponenterne kan have forskellige klassificeringer.

Tekstiler

Se vedhæftet mærkat på tekstilet for detaljerede vaskeinstruktioner

Generel rengøringsmetode

Metode: Tør af med en våd klud eller en blød børste.


Maks. temp.: 40 °C

Opløsningsmiddel/kemikalier: Mildt rengøringsmiddel eller sæbe og vand.

- !** **VIGTIGT**
Se anvisningerne i afsnittet *Komponenter, der ikke kan vaskes*, i *brugsanvisningen til sengen* for at finde detaljerede oplysninger om rengøringsmetoder

6.3 Batteri

Vi anbefaler, at batteriet efterses hver 6. måned:

1. Løft begge vinger, og frakobl strømledningen.
2. Tryk på TÆND/SLUK- og CPR-knappen , og sørg for, at begge vinger flytter til vandret position.


Vi anbefaler, at batteriet udskiftes efter 4 år – ring til forhandleren/teknikeren med henblik på at få udskiftet batteriet.

Opbevaring

- !** **VIGTIGT**
Før opbevaring af Soft Tilt skal det sikres, at systemet er helt slukket, og at der er trykket på nødstopknappen, så batteriet ikke aflades.

7 Efter brug

7.1 Bortskaffelse af affald

 Bortskaffelse af affald/genanvendelse skal ske i overensstemmelse med den gældende lovgivning vedrørende håndtering af affald i det enkelte land.

Invacare arbejder løbende på at sikre, at virksomhedens påvirkning af miljøet, lokalt og globalt, reduceres til et minimum.

Vi overholder den gældende miljølovgivning (f.eks. WEEE- og RoHS-direktivet).

Vi anvender udelukkende materialer og komponenter, der overholder REACH-direktivet.

- Alle elektriske dele skal afmonteres og bortskaffes som elektriske komponenter.
- Plastikdele skal afmonteres og sendes til forbrænding eller genbrug.
- Ståledele skal bortskaffes som affaldsmetaller.



VIGTIGT!

Batteribackup

- Brugte batterier skal leveres tilbage til Invacare eller afleveres på en modtagestation som bilbatterier.

8 Fejlfinding

8.1 Fejlfinding i det elektriske system

Fejl	Display (blinker i intervaller på 0,5 sekunder mellem to koder)		Akustisk signal	LED (blinker rødt)	Kommentar	Løsning
Blokering på motor VENSTRE	E01	E0	10 bip med 1 sek. TIL og 1 sek. FRA	Venstre	kun i automatisk tilstand (intet display, akustisk signal og blinkende LED i manuel tilstand)	Kontrollér følgende på kablerne til og fra motoren: - Kablet er ikke beskadiget. - Kablet er koblet korrekt til motoren. - Kabelstikket er isat korrekt og er intakt.
Blokering på motor HØJRE	E02	E0	Når motoren forsøges aktiveret igen: 1 bip i 1 sek.	Højre		
Batteri-tilstand: Strømsvigt ELLER Nødstoppet er aktiveret	E03	E0	4 bip med 1 sek. TIL og 1 sek. FRA		- første akustiske signal ved frakobling fra strømforsyningen, ELLER nødstoppet er aktiveret. Systemet skifter til batteritilstand, og vingerne stopper med at bevæge sig og bliver i deres aktuelle position. - anden akustiske signal efter 20 min. - tredje akustiske signal efter 40 min. - Efter 60 min. skifter systemet til fejlen for lavt batteriniveau (E04).	Tilslut strømmen OG/ELLER deaktiver nødstoppet for at oplade og kontrollere batteri (se kapitlet <i>Vedligeholdelse</i> for at få flere oplysninger).
Lavt batteriniveau	E04	E0	4 bip med 1 sek. TIL og 1 sek. FRA		- første akustiske signal lyder, når der registreres lavt batteriniveau, mens systemet er i batteritilstand. - Der lyder yderligere akustiske signal hvert 20. minut, indtil systemet slukkes for at spare batteristrøm til en CPR-sænkning.	
Klemningsregistrering på motor VENSTRE	E05	E0	10 bip med 1 sek. TIL og 1 sek. FRA	Auto, P1 eller P2 (afhængigt af det afbrudte program).	Vingen på siden af klemningsregistreringen hæves til 30°, og den modsatte vinge flyttes til vandret position. - Vinge(r) under 12° grader hæves til 12°. - Vinge over 12° hæves til 30°	Kontrollér, om der er nogen objekter, der er i vejen for vingen, når vingen flyttes ned, og fjern eventuelle objekter. Se følgende FORSIGTIG, før du nulstiller disse fejl
Klemningsregistrering på motor HØJRE	E06	E0				
Klemningsregistrering på motor VENSTRE og HØJRE	E07	E0				
Systemet kan ikke tændes					Selvom systemet er koblet til strømforsyningen, kan det ikke tændes.	Kontrollér, om nødstoppet er aktiveret, og deaktiver det om nødvendigt.

**FORSIGTIG!****Risiko for personskade eller beskadigelse**

For detektering af klemningsfejl vil CPR/Nulstil funktionen underkende klemningsdetekteringen og flytte vingerne nedad.

– Sørg for, at ingen genstande forstyrrer vingerne, når de flyttes ned, før du nulstiller en detektering af klemningsfejl (E05, E06 og E07)



Tryk på TÆND/SLUK- og CPR-knappen for at nulstille en FEJL, og prøv igen.

Hvis ovenstående ikke løser problemerne, skal du kontakte din forhandler eller Invacare-forhandleren.

8.2 Programmeringsfejl

Fejlvisning af forkert opsætning af værdier for program 1 eller 2



Fejl	Display	Lydsignal	Kommentar
Program 1 eller 2	E40 i 4 sek.	2 bip på 5 sek. TIL og 1 sek. FRA	<p>Indtræffer ved aktivering af program 1 eller 2 med forkert indstillede tidsværdier.</p> <p>Følgende kombination af tidsværdier for venstre, højre og flad position er defineret som forkert indstillet:</p> <ul style="list-style-type: none"> - Alle tre tidsværdier = 0 min. - Kun én tidsværdi > 0 min./to tidsværdier = 0 min.

9 Tekniske Data

9.1 Egenskaber

Automatisk drift	ja
Maks. vinkel i manuel tilstand	60°
Maks. vinkel i automatisk tilstand	primær vinge = 30° sekundær vinge = 12°
Vinkelværdier i automatisk tilstand	0°-30° (interval på +/- 1°)
Tidsværdier i automatisk tilstand	0, 3, 10-180 min. (intervaller på +/- 10 min.)

9.2 Vægt

	Maks. brugervægt (forudsat at madrassens vægt ikke overstiger 20 kg)	165 kg
	Maks. vægt for sikker arbejdsbelastning (inklusive madras)	185 kg

Vægt for Soft Tilt-komponenter

Komplet (hovedmodul og 4 arme)	25 kg
Hovedendearm (1 stk.)	1,4 kg
Fodendearm (1 stk.)	2,4 kg
Hovedmodul	14,5 kg
Styreboks	2,9 kg

9.3 Tilladte madrastørrelser

Madrashøjde og sengehestenes kompatibilitet

! **VIGTIGT**
Afhængigt af om slutbrugeren i en sideposition ligger på en flad vinge (vandret madras), ELLER om den vinge, som slutbrugeren ligger på, er hævet op til 12°, er der behov for forskellige kombinationer af madrasser og sengeheste (se det relevante diagram nedenfor).

– Slutbrugeren ligger på en flad vinge

Tilladt madrashøjde, når slutbrugeren ligger på en flad vinge (sekundær vinge = 0°).

Sengehest	Madrashøjde
Britt V/Line/Line forlænget	12-14 cm
Britt V/Line/Line forlænget med højdeforlængelse til sengehest monteret*	15-29 cm
Scala Medium 2	12-16 cm
Scala Decubi 2	17-25 cm

*Skal afmonteres, når sengehesten er klappet sammen, og slutbrugeren står ud af sengen.

– Slutbrugeren ligger på en hævet vinge


Tilladt madrashøjde, når slutbrugeren ligger på en vinge, der er hævet op til 12° (sekundær vinge = 1-12°).

Sengehest	Madrashøjde
Britt V/Line/Line forlænget med højdeforlængelse til sengehest monteret*	12-22 cm
Scala Decubi 2	17-18 cm

*Skal afmonteres, når sengehesten er klappet sammen, og slutbrugeren står ud af sengen.


Madrastørrelse og -længde afhængigt af sengens bredde

Sengens bredde	Tilladt madrastørrelse	Min. længde (cm)
85 cm	83-85 cm	200 cm
90 cm	88-90 cm	200 cm



 En madras med riller anbefales.

9.4 Miljøforhold

	Opbevaring og transport	Betjening
Temperatur	-10 °C til +50 °C	+5 °C til +40 °C
Relativ luftfugtighed	20 % til 75 %	
Atmosfærisk tryk	800 hPa til 1060 hPa	

 Vær opmærksom på, at en seng, der har været opbevaret ved lave temperaturer, skal indstilles til betjeningstilstand, før den tages i brug.

9.5 Elektrisk system

Spændingsforsyning: Uin 230 spænding, AC, 50/60 Hz (AC = vekselstrøm)
Maks. indgangsstrøm: lin maks. 1,5 ampere
Intermitterende (periodisk motordrift): Int. = maks. 10 %, 2 min. TIL/18 min. FRA
Isoleringsklasse: KLASSE II

Anvendt del af type B

Den anvendte del overholder de angivne krav om beskyttelse mod elektrisk stød iht. IEC60601-1.
En anvendt del er en del af det medicinske udstyr, der er designet til at komme i fysisk berøring med patienten, eller en del, der sandsynligvis kommer i berøring med patienten.

Lydniveau: 58,5 dB(A)
Beskyttelsesgrad: IPx6* eller IPx5**
Hovedmodulet, aktuatorerne og håndbetjeningen er beskyttet i henhold til IPx6. Styreboksen er beskyttet i henhold til IPx5.

* IPX6-klassificering betyder, at det elektriske system er beskyttet mod vandsprøjt fra alle retninger (ikke højt tryk).

** IPX5-klassificering betyder, at det elektriske system er beskyttet mod vandsprøjt med lavt tryk fra alle retninger.

10 Elektromagnetisk kompatibilitet (EMC)

10.1 Generelle oplysninger om elektromagnetisk kompatibilitet (EMC)

Elektromedicinsk udstyr skal installeres og anvendes i overensstemmelse med oplysningerne om elektromagnetisk kompatibilitet (EMC) i denne brugsanvisning.

Dette produkt er testet og fundet i overensstemmelse med de tilladte grænser for elektromagnetisk kompatibilitet i henhold til IEC/EN 60601-1-2 for klasse B udstyr.

Bærbart og mobilt RF-kommunikationsudstyr kan indvirke på produktets funktionsdygtighed.

Ved andre apparater kan der forekomme interferens selv fra de lave niveauer for elektromagnetiske emissioner, der er tilladt i henhold til ovennævnte standard. For at afgøre, om det er emissionen fra dette produkt, der forårsager interferensen, kan dette produkt startes og stoppes. Hvis interferensen med det andet udstyr ophører, er det dette produkt, der er årsag til interferensen. I sådanne sjældne tilfælde kan interferensen reduceres eller afhjælpes på følgende måde:

- Placér apparaterne anderledes, flyt dem, eller øg afstanden mellem dem.

10.2 Elektromagnetisk emission

Vejledning og producentens erklæring

Dette produkt er beregnet til brug i et elektromagnetisk miljø som angivet nedenfor. Kunden eller brugeren af dette produkt skal sørge for, at det anvendes i et sådant miljø.

Emissionstest	Overensstemmelse	Elektromagnetisk miljø - vejledning
RF-emissioner CISPR 11	Gruppe I	Dette produkt anvender udelukkende RF-energi til de interne funktioner. Dens RF-emissioner er derfor meget lave og burde ikke medføre interferens med andet elektronisk udstyr i nærheden.
RF-emissioner CISPR 11	Klasse Bation	Dette produkt er egnet til brug i alle bygninger, herunder private hjem og bygninger, der er tilsluttet det offentlige lavspændingsnetværk, som forsyner bygninger, der anvendes til bopælsformål.
Harmoniske emissioner IEC 61000-3-2	Klasse A	
Spændingsudsving/ flickeremissioner IEC 61000-3-3	Opfylder kravene	

10.3 Elektromagnetisk immunitet

Vejledning og producentens erklæring

Dette produkt er beregnet til brug i et elektromagnetisk miljø som angivet nedenfor. Kunden eller brugeren af dette produkt skal sørge for, at det anvendes i et sådant miljø.

Immunitetstest	Test-/overensstemmelses-niveau	Elektromagnetisk miljø – vejledning
Elektrostatisk udladning (ESD) IEC 61000-4-2	± 8 kV ved kontakt ± 2 kV, ± 4 kV, ± 8 kV, 15 kV via luft	Gulve skal være af træ, beton eller keramiske fliser. Hvis gulvene er belagt med syntetisk materiale, skal den relative luftfugtighed være mindst 30 %.
Hurtige elektriske overspændinger/ strømstød IEC 61000-4-4	± 2 kV for strømforsyningsledninger; 100 kHz repetitionsfrekvens ± 1 kV for indgangs-/ udgangsledninger; 100 kHz repetitionsfrekvens	El-forsyning via el-nettet skal være af den kvalitet, som er normal i erhvervs- og hospitalsmiljø.
Overspænding IEC 61000-4-5	±1 kV ledning til ledning ±2 kV ledning til jordforbindelse	El-forsyning via el-nettet skal være af den kvalitet, som er normal i erhvervs- og hospitalsmiljø.

Sisällysluettelo

Tämä opas on annettava loppukäyttäjälle. Lue tämä opas ENNEN tuotteen käyttöä. Säilytä opas myöhempää tarvetta varten.

1 Yleistä	50
1.1 Johdanto	50
1.1.1 Määritelmät	50
1.2 Tässä käyttöoppaassa käytetyt symbolit	50
1.3 Käyttötarkoitus	50
1.4 Käyttöikä	50
1.5 Takuutiedot	50
1.6 Rajoitettu vastuu	50
2 Turvallisuus	51
2.1 Yleisiä turvallisuustietoja	51
2.2 Tuotteen merkinnät ja symbolit	52
2.2.1 Tietokilpi	52
2.2.2 Muut merkinnät ja symbolit	52
3 Käyttöönotto	53
3.1 Yleisiä turvallisuustietoja	53
3.2 Toimituksen laajuus	53
3.3 Soft Tiltin asentaminen	53
4 Käyttö	56
4.1 Yleisiä turvallisuustietoja	56
4.2 Yleiskatsaus	56
4.3 Ohjainkotelo ja käsiohjain	56
4.4 On/Off ja CPR-/nollaus toiminto	56
4.5 Hätäjarru	57
4.6 Manuaali käyttö	57
4.6.1 Suositellut toimenpiteet	57
4.7 Automaattinen käyttö	57
4.7.1 Automaattisen ohjelman toimintajakso	58
4.8 Akun lataaminen	58
5 Ohjelmoiminen	59
5.1 Yksittäin määritetyt ohjelmat	59
5.2 Yksittäisten automaattiohjelmien ohjelmoiminen	60
5.3 Ohjelmaesimerkit automaattista paineenvapautusta varten	61
6 Huolto	63
6.1 Yleisiä huoltotietoja	63
6.2 Puhdistaminen ja desinfiointi	63
6.3 Akku	63
7 Käytön jälkeen	64
7.1 Jätteiden hävittäminen	64
8 Vianmääritys	65
8.1 Sähköjärjestelmän vianmääritys	65
8.2 Ohjelmointivirheet	66
9 Tekniset Tiedot	67
9.1 Ominaisuudet	67
9.2 Painot	67
9.3 Sallitut patjan koot	67
9.4 Ympäristöolosuhteet	67
9.5 Sähköjärjestelmä	67
10 Sähkömagneettinen yhteensopivuus (EMC)	69
10.1 Yleistä tietoa sähkömagneettisesta säteilystä	69
10.2 Sähkömagneettinen säteily	69
10.3 Sähkömagneettinen häiriönsietokyky	69

1 Yleistä

1.1 Johdanto

Tämä käyttöopas kuuluu Invacaren lisävarusteisiin, ja siinä on tärkeää tietoa tuotteen käsittelystä ja kokoonpanosta. Lue asiaankuuluvan tuotteen käyttöopas huolellisesti läpi ja noudata turvallisuusohjeita turvallisuuden takaamiseksi tuotetta käytettäessä.

Saat käyttöoppaan Invacaren verkkosivustosta tai ottamalla yhteyden Invacare-edustajaan. Katso osoitteet oppaan lopusta.

Invacare varaa oikeuden muuttaa tuotteiden teknisiä tietoja ilman erillistä ilmoitusta.

Varmista ennen oppaan lukemista, että käytössäsi on oppaan viimeisin versio. Viimeisin versio on saatavilla PDF-tiedostona Invacaren verkkosivuilta.

Jos painettu käyttöopas on kirjasinkoon vuoksi vaikealukuinen, voit ladata verkkosivustosta PDF-version. PDF-tiedoston voi suurentaa näytössä helpommin luettavaan kokoon.

1.1.1 Määritelmät

Kaikki oikealla ja vasemmalla olevat merkit perustuvat vuoteella selällään makaavaan potilaaseen, jonka pää on pääpäädyssä.

1.2 Tässä käyttöoppaassa käytetyt symbolit

Tässä oppaassa käytetään signaalisanoja, jotka viittaavat vaaroihin tai turvattomiin käytäntöihin, jotka saattavat aiheuttaa henkilö- tai omaisuusvahinkoja. Katso alta lisätietoja signaalisanojen määritelmistä.



VAROITUS

Osoittaa vaarallisen tilanteen, joka voi johtaa vakavaan vammaan tai kuolemaan, jos sitä ei vältetä.



HUOMIO

Osoittaa vaarallisen tilanteen, joka voi johtaa pieneen tai lievään vammaan, jos sitä ei vältetä.



TÄRKEÄÄ

Osoittaa mahdollisesti vaarallisen tilanteen. Jos sitä ei vältetä, se saattaa aiheuttaa omaisuusvahingon.



Vihjeet ja suositukset

Antaa hyödyllisiä vihjeitä, suosituksia ja tietoa tehokkaasta ja ongelmattomasta käytöstä.

1.3 Käyttötarkoitus

Soft Tilt ja ohjainyksikkö on tarkoitettu käyttöön 85 tai 90 cm leveiden Invacare® SB 755 -vuoteiden kanssa, joissa on sopivankorkuiset sivukaiteet (katso kaavio kohdasta 9 *Tekniset Tiedot, sivu 67*), sivukaiteiden suojukset ja uritettu vaahtomuovipatja (katso kokokaavio kohdasta 9 *Tekniset Tiedot, sivu 67*)

- Osa hoidon yleistä makuuhaavojen ehkäisyohjelmaa.
- Vuoteenomana olevien loppukäyttäjien siirtämiseen vasemmalle tai oikealle kyljelle tai selälleen.

- Loppukäyttäjien tukena siirtymisessä vuoteeseen ja siitä pois.
- Automaattisessa tilassa käytettynä se on suunniteltu vähentämään loppukäyttäjiin kohdistuvaa painetta.
- Manuaalisessa tilassa käytettynä se on suunniteltu tukemaan hoitohenkilöstöä loppukäyttäjän kääntämisessä kyljeltä toiselle vuoteessa.
- Se sopii käytettäväksi kaikissa kotihoidon, asumisen mahdollistavan hoidon ja sairaanhoidon ympäristöissä.

Käyttöaiheet

Soft Tilt -rungen kohdepotilasryhmä ovat

- aikuiset vuodepotilaat, jotka ovat osittain tai täysin liikkumattomia
- painehoitoa tarvitsevat
- vuoteeseen hoidettavat eli esim. henkilökohtaisen hygienian ja pukeutumisen suhteen autettavat. Tämä loppukäyttäjiryhmä siirretään usein vuoteesta tuoliin nostimella tai manuaalisesti hoitohenkilöstön auttamana ja teknisen apuvälineen, kuten rollaattorin, tukemana.

Vasta-aiheet

Soft Tilt -runkoa ei ole tarkoitettu psykiatristen, levottomien tai ahdistuneiden loppukäyttäjien tai kouristelevien henkilöiden käyttöön.

Varotoimet

- Ennen Soft Tilt -rungen käyttöä on tärkeää arvioida, sopiiko Soft Tilt loppukäyttäjälle.
- Turvallisuussyistä loppukäyttäjä ei saa käyttää Soft Tilt -runkoa itse.



VAROITUS!

Muunlainen tai asiaton käyttö saattaa aiheuttaa vaaratilanteita. Invacare ei vastaa tuotteen käytöstä, muutoksista tai kokoamisesta, joita ei ole esitetty tässä käyttöoppaassa.

1.4 Käyttöikä

Tämän tuotteen odotettavissa oleva käyttöikä on viisi vuotta, kun sitä käytetään päivittäin tässä oppaassa ilmoitettujen turvallisuusohjeiden ja käyttötarkoituksen mukaan. Tehokas käyttöikä voi vaihdella sen mukaan, miten usein ja voimakkaasti tuotetta käytetään.

1.5 Takuutiedot

Annamme valmistajan takuun tuotteelle yleisten liiketoimintaehtojemme mukaisesti vastaavissa maissa.

Takuuvaatimuksia voi tehdä vain sen myyjän kautta, jolta tuote ostettiin.

1.6 Rajoitettu vastuu

Invacare ei vastaa seuraavista johtuvista vahingoista:

- käyttöoppaan noudattamatta jättäminen
- väärä käyttö
- luonnollinen kuluminen
- ostajan tai kolmannen osapuolen toteuttama väärä kokoonpano tai asennus
- tekniset muutokset
- luvattomat muutokset ja/tai soveltumattomien varaosien käyttö.

2 Turvallisuus

2.1 Yleisiä turvallisuustietoja



VAROITUS!

Yhteensopivuus vain Invacare® SB 755 -vuoteiden kanssa

Erikoissuunnitteista Soft Tilt -runkoa saa käyttää vain 85 tai 90 cm leveiden Invacare® SB 755 -vuoteiden kanssa.



VAROITUS!

Kaatumisvaara

Jos Soft Tilt -runkoa käytetään ilman sivukaiteita tai väärin sivukaiteiden kanssa, loppukäyttäjä voi pudota vuoteesta.

- Älä koskaan käytä Soft Tilt -runkoa vuoteessa ilman sivukaiteita.
- Käytä Soft Tilt -runkoa vain kohdassa *9 Tekniset Tiedot, sivu 67* lueteltujen Invacare-sivukaiteiden kanssa.
- Varmista aina, että sivukaide on ylhäällä sillä puolella vuodetta, jolla ei ole hoitohenkilöstöä, TAI että vuoteen molemmilla puolilla on yksi hoitohenkilöstön jäsen, kun manuaalista tilaa käytetään.
- Varmista, aina että molemmat sivukaiteet ovat ylhäällä, kun automaattinen tila on käytössä.



VAROITUS!

Puristumis- ja/tai tukehtumisvaara

Jos sivukaiteita käytetään ilman suojusta tai hengittämättömän suojuksen kanssa, loppukäyttäjälle voi aiheutua puristumis- ja/tai tukehtumisvaara.

- Käytä aina hengittävää suojusta sivukaiteissa, kun Soft Tilt on käytössä.



VAROITUS!

Putoamis- ja/tai puristumisvaara

- Tee aina riskiarvio loppukäyttäjän kunnosta ja liikuntakyvystä.
- Älä koskaan käytä Soft Tilt -runkoa, jos loppukäyttäjä on ahdistunut tai levoton.
- Varmista aina, että loppukäyttäjä on vuoteen keskellä ja kaikki ruumiinosat ovat patjalla, ennen kuin siivekkeitä siirretään.
- Älä koskaan jätä loppukäyttäjää valvomatta, kun manuaalista tilaa käytetään.
- Loppukäyttäjä ei saa koskaan siirtyä pois vuoteesta tai vuoteeseen, kun siivekkeitä siirretään manuaalisesti, tai automaattinen tila on käytössä.
- Käsiohjaimen tulee olla aina hoitajan käytössä.



VAROITUS!

Henkilövamman tai omaisuusvahingon vaara

- Johtojen virheellinen käsittely voi aiheuttaa sähköiskun ja tuotevian.
- Älä kierrä, leikkaa tai muuten vahingoita virtajohtoa.
 - Älä anna pyörien kulkea virtajohdon yli.
 - Pidä virtajohto loitolla liikkuvista osista.
 - Irrota pistoke pistorasiasta ennen vuoteen liikuttamista.
 - Varmista, että johdot (verkkovirtajohto tai muiden laitteiden johdot) eivät ole juuttuneet kiinni tai vahingoittuneet, kun vuode on käytössä.
 - Pidä vuoteen osat ja lisävarusteet vähintään 30 cm:n päässä kuumista pinnoista ja poissa suorasta auringonvalosta.

Patjat



VAROITUS!

Sivukaiteiden ja patjojen yhdistelmiin liittyvät turvallisuusseikat:

Jotta vuoteen ja sivukaiteiden yhdistelmä olisi mahdollisimman turvallinen, on noudatettava taulukossa mainittuja patjojen vähimmäis- ja enimmäismittoja.

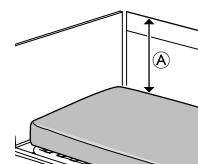
- Katso tarkat patjan mitat patjataulukosta luvussa *9 Tekniset Tiedot, sivu 67*.



VAROITUS!

Puristumis- ja/tai tukehtumisvaara

- Loppukäyttäjä voi jäädä kiinni ja/tai tukehtua, jos patjan reunan ja sivukaiteen sisäpuolen välissä on vaakasuorassa liikaa tilaa. Noudata sivukaiteen kanssa käytettävän patjan vähimmäisleveyttä (ja -pituutta), jotka on kerrottu patjataulukossa luvussa *9 Tekniset Tiedot, sivu 67*.
- Ota huomioon, että erittäin paksujen tai pehmeiden patjojen (pienitiheksinen) tai niiden yhdistelmän käyttäminen lisää vaaraa.



VAROITUS!

Kaatumisvaara

- Loppukäyttäjä voi pudota reunan yli ja vammautua vakavasti, jos patjan yläosa ja sivukaiteen/vuoteenpäädyn reuna ovat pystysuorassa liian lähellä toisiaan (A). Katso kuva edellä.
- Pidä aina vähintään 22 cm etäisyyttä (A) siivekkeeseen sillä puolella, jolla käyttäjä makaa (toissijaista siivekettä nostettu enintään 12°:seen).
 - Noudata sivukaiteen kanssa käytettävän patjan enimmäiskorkeutta, joka on kerrottu patjataulukossa luvussa *9 Tekniset Tiedot, sivu 67*.

Sähkömagneettiset häiriöt



VAROITUS!

Sähkömagneettisesta häiriöstä johtuva toimintahäiriön vaara

Tämän tuotteen ja muiden sähkölaitteiden välillä voi esiintyä sähkömagneettista säteilyä, joka voi häiritä tuotteen sähköisiä säätötoimintoja. Tällaisten sähkömagneettisten häiriöiden ehkäiseminen, vähentäminen tai poistaminen:

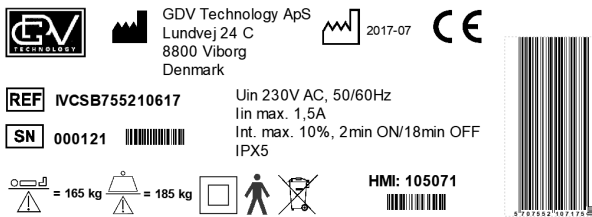
- Vältä sähkömagneettisen säteilyn lisääntymistä ja tuotteen sähkömagneettisen häiriönsietokyvyn heikkenemistä käyttämällä vain alkuperäisiä johtoja, lisävarusteita ja varaosia.
- Älä käytä kannettavaa radiotaajuista (RF) tietoliikennelaitteistoa alle 30 cm:n etäisyydellä tämän tuotteen mistään osasta (johdot mukaan lukien).
- Älä käytä tätä tuotetta käytössä olevien korkeataajuisten kirurgisten laitteiden lähellä tai magneettikuvausjärjestelmän radiotaajuussuojatussa huoneessa, jossa on paljon sähkömagneettisia häiriöitä.
- Jos häiriöitä ilmenee, siirrä tämä tuote ja muut laitteet kauemmaksi toisistaan tai katkaise laitteen virta.
- Katso tarkemmat tiedot ja noudatettavat ohjeet luvusta 10 *Sähkömagneettinen yhteensopivuus (EMC)*, sivu 69.

Symbolit

	Sarjanumero
	Viitenumero
	Valmistajan osoite
	Valmistuspäivä
	Käyttäjän enimmäispaino
	Suurin turvallinen työskentelykuorma
	Eristysluokka 2
	Tyyppin B sovellettu osa
	Sähkö- ja elektroniikkalaiteromusta (WEEE) annetun direktiivin mukainen
	Tämä tuote täyttää lääkintälaitteita koskevan direktiivin 93/42/ETY vaatimukset. Tämän tuotteen julkaisupäivämäärä on mainittu CE-vaatimustenmukaisuusvakuutuksessa.

2.2 Tuotteen merkinnät ja symbolit

2.2.1 Tietokilpi



Soft Tilt for Invacare® SB 755

Tietokilpi on Soft Tilt -rungon päämoduulissa, ja siinä on tärkeimmät tuotetiedot, muun muassa tekniset tiedot.

Teknisten tietojen lyhenteet:

- lin = tulovirta
- Uin = tulojännite
- Int. = jaksot
- AC = vaihtovirta
- Max = suurin
- min = minuuttia

Katso lisätietoja teknisistä tiedoista kohdasta 9 *Tekniset Tiedot*, sivu 67.

2.2.2 Muut merkinnät ja symbolit

	Katso käyttöoppaasta
--	----------------------

3 Käyttöönotto

3.1 Yleisiä turvallisuustietoja

Kun otat tuotteen vastaan, tarkista pakkaus. Jos pakkauksessa on toimitettaessa merkkejä vaurioitumisesta, ota yhteyttä kuljetusyritykseen.



VAROITUS!

Henkilövamman tai omaisuusvahingon vaara

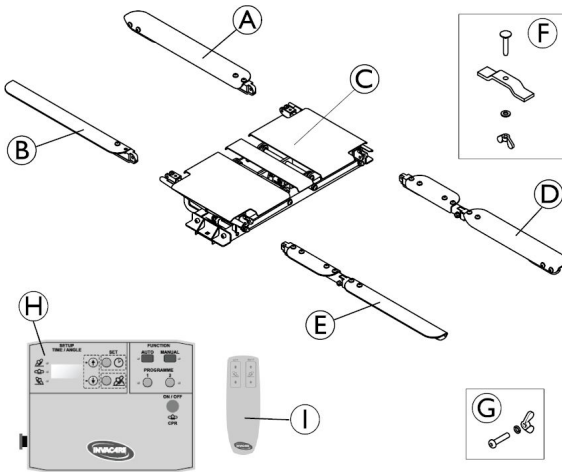
Kokoonpanon ja asennuksen saavat suorittaa ainoastaan valtuutetut tai koulutetut henkilöt.

- Noudata ohjeita huolellisesti. Jos sinulla on kysyttävää kokoonpanoon liittyen, ota yhteyttä paikalliseen Invacaren edustajaan.
- Jos tuotteessa on merkkejä vaurioista, tuotetta ei saa käyttää. Ota yhteyttä paikalliseen jälleenmyyjään tai Invacare-edustajaan.
- Tuotteen sähkölaitteita ei saa purkaa tai kytkeä yhteen muiden sähkölaitteiden kanssa.
- Tarkista aina kokoamisen jälkeen, että kaikki liitokset on kiristetty kunnolla ja että kaikki osat toimivat oikein.

3.2 Toimituksen laajuus

Soft Tilt toimitetaan osittain koottuna pahvilaatikossa.

Tärkeimmät osat



- Ⓐ Vasemman siivekkeen päätypään varsi
- Ⓑ Oikean siivekkeen päätypään varsi
- Ⓒ Päämoduuli (esiasennettu yksikkö)
- Ⓓ Vasemman siivekkeen jalkopään varsi
- Ⓔ Oikean siivekkeen jalkopään varsi
- Ⓕ 2 sarjaa: kiinnityslevy, lukituspultti, aluslevy ja siipimutteri
- Ⓖ 4 sarjaa: kuusiokolopultti, aluslevy ja siipimutteri
- Ⓗ Ohjainkotel
- Ⓘ Käsihjain

Tekstiilisuojus (ei näy kuvassa)

3.3 Soft Tiltin asentaminen

Päämoduulin asentaminen



HUOMIO!

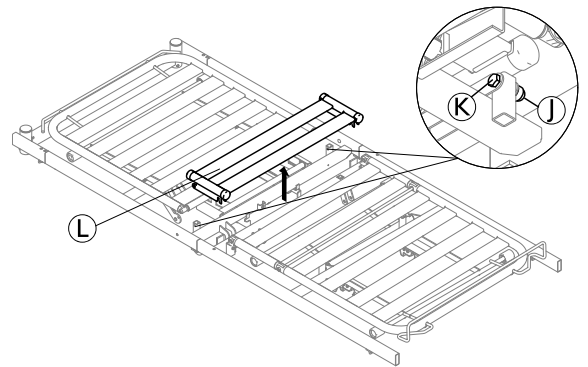
Vaurion tai vamman vaara

Jos päämoduulia pidellään kiinni vääristä kohdista nostamisen aikana, seurauksena voi olla tuotevaurio tai vamma.

- Pidä kiinni päämoduulista vain siivekkeiden suojalevyistä tai alarungon kiinnikkeistä.
- Älä pidä kiinni keskimmäisestä suojalevystä.
- Älä pidä kiinni vasemmalla ja oikealla puolella siivekkeiden alapuolella sijaitsevista puristussuojapalkeista.

1.

a.

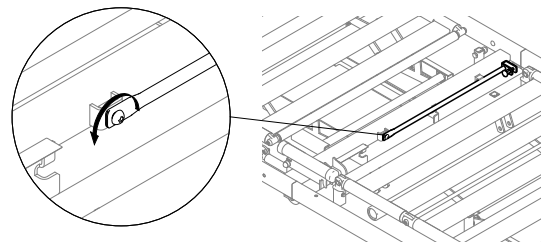


Irrota vuoteen kummaltakin puolelta mutteri Ⓜ ja pultti Ⓚ kahdella 13 mm:n avaimella, jotta laippakokoonpano Ⓛ irtoaa vuoteesta.



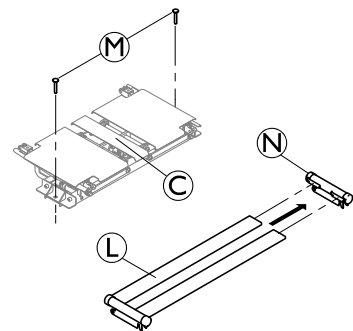
Puisilla laipoilla varustetuissa vuoteissa laippakokoonpanon Ⓛ puisten laippojen tilalle on vaihdettava kaksi alumiinilaippaa.

b. Vain jaettaville vuoteille (SB 755D) tarvittava lisävaihe



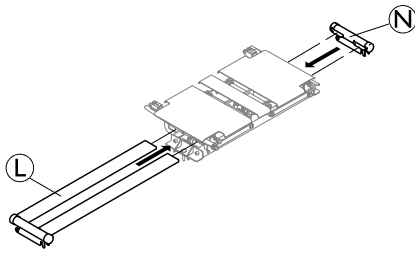
Ruuvaa patjan tukipääosassa sijaitseva etäisyysauva auki ja irrota se, mutta pidä se käden ulottuvilla takaisin asentamista varten, jos Soft Tilt poistetaan jälleen vuoteesta.

2.



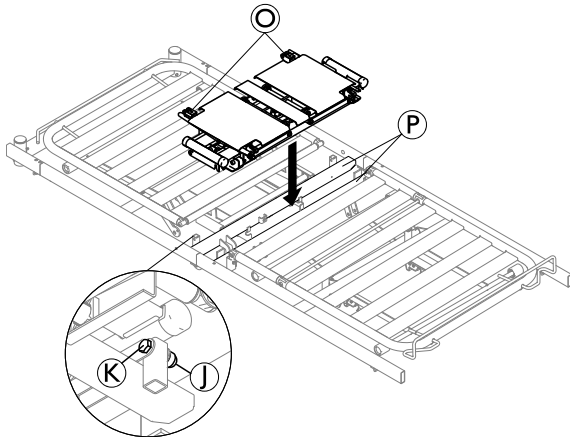
Työnnä kaksi lukituspulttia Ⓜ päämoduulin kiinnikkeiden aukkoihin Ⓒ ja irrota yksi kiinnikkeistä Ⓝ laippakokoonpanosta Ⓛ.

3.



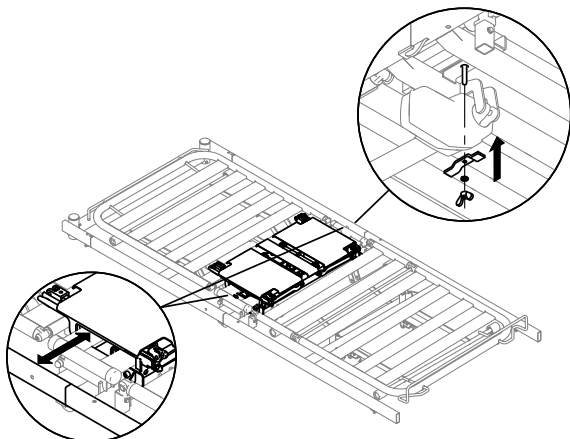
Aseta kahden laipan vapaat päät päämoduulin suojailevien suojailevien alle ja työnnä ne takaisin toisella puolella olevaan kiinnikkeeseen N.

4.



Aseta päämoduuli laippakokoonpanoineen poikkitangoille P siten, että pitkät kiinnitysvarret O osoittavat vuoteen pääpäätä kohti. Varmista, että moottorien kaapelit kulkevat poikkitankojen P välistä eivätkä kaapelit ole puristuksissa. Kiinnitä laippakokoonpano pulteilla K ja muttereilla J, jotka irrotettiin vaiheessa 1.

5.



Varmista, että päämoduuli sijoitetaan patjatuen rungon keskelle, ja etäisyys sivuputkiin on sama molemmin puolin. Kiinnitä päämoduuli patjatuen rungon poikkitankoihin kiinnityslevyllä, aluslevyllä ja mutterilla alhaaltapäin vuoteen molemmilta puolilta.

Johdottaminen

Ohjainkotelon ja käsiohjain on ripustettava jalkalevyyn.



Ohjainkotelon liitännät

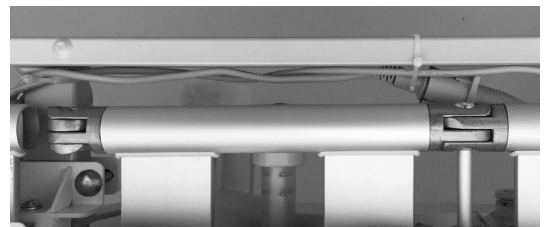
- Q Virtalähde
- R Käsiohjain ja puristussuojakytkimet jakokaapelin kautta
- S Oikea moottori
- T Vasen moottori

1. Kytke oikean ja vasemman moottorin kaapelit kahteen jatkoakaapeliin S ja T ohjainkotelosta.
2. Kytke käsiohjain jakokaapelin R lyhempään päähän ja kytke virtakaapeli Q verkkovirtaan.
3. Poista hätäjarru käytöstä, kytke järjestelmän virta, ota manuaalinen tila käyttöön ja tarkista käsiohjaimen avulla, että vasen ja oikea moottori on oikein kytketty ohjainkoteloon (katso tarkemmat ohjeet kohdasta Käyttö).
- 4.



Nosta päämoduulin kumpikin siiveke ja poista teippi, joka kiinnittää puristussuojakytkimien kaapelin päämoduuliin. Reitä kytkimien kaapelit vuoteen toiselta puolelta ja pujota vapaa pää ensimmäisen poikittaisputken alta ja toisen poikittaisputken päältä vuoteen jalkopäätä kohti. Kytke kaapeli jakokaapelin R pisimpään päähän. Kiinnitä jokainen puristussuojakytkimien kaapeli muovisella liuskalla poikittaisputken ja Soft Tilt -runkoon vuoteen pääpäätä kohti.

5.

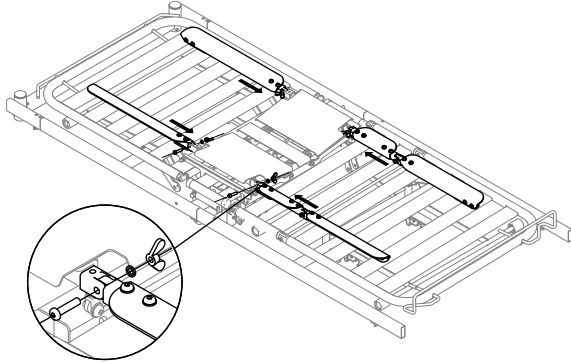


Varmista, että kaikki kaapelit kulkevat vuoteen laippojen alapuolelta, ja kiinnitä yksi moottorikaapeli yhteen kytkimien kaapelin kanssa vuoteen sivulla ja toinen moottorikaapeli toisella sivulla siten, että kullakin sivulla on kolme muoviliuskaa. Ensimmäinen liuska asetetaan poikkitankoon ja kaksi muuta sivuputkeen vuoteen jalkopäätä kohti.

- i** Varmista, etteivät kaapelit jää puristuksiin, siirtämällä vuodetta täysin ylä- ja ala-asentoon.

Varsien ja suojuksen asentaminen

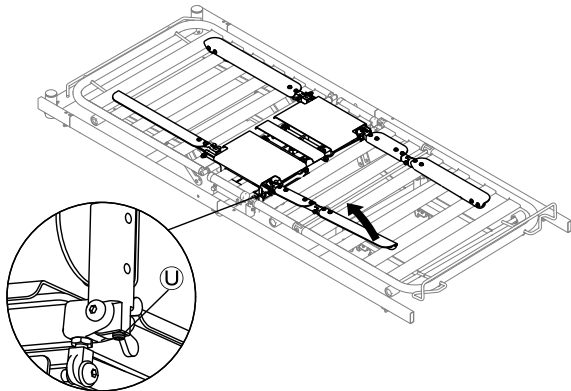
1. Varmista, että päämoduulin kumpikin siiveke on hiukan nostettu, jotta varsien liitännät ovat käytettävissä.
- 2.



Liitä neljä vartta päämoduuliin ja varmista, että saranalliset varret sijoitetaan vuoteen nivelsaranan yläpuolelle ja kaikkien varsien kaarevat puolet osoittavat ulospäin. Kiinnitä neljä vartta kuusiokolopulteilla ja kiristä sisäänpäin osoittavat siipimutterit. Varmista, että suoja-aluslevyt on asetettu siipimutterien alle.

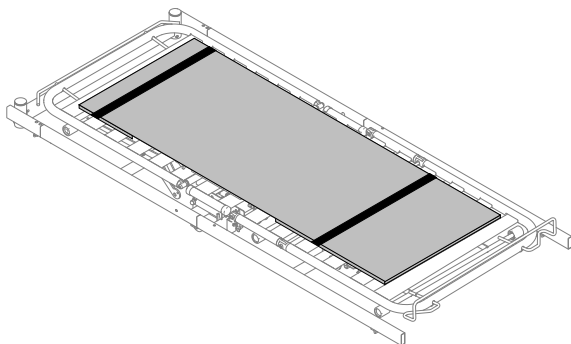
- 3.

- !** **TÄRKEÄÄ!**
Varmista asennusvaiheessa, että neljä vartta ovat vaakatasossa, ja säädä niitä tarvittaessa.



Säädä varsien asentoa taittamalla ne ylöspäin nivelkohdista päämoduulia kohti ja säätämällä ruuvia **U**, kunnes varret ovat vaakatasossa takaisin alas taitettuina.

- 4.



Asenna suojus liu'uttamalla taskut pääty- ja jalkopään varsien päälle. Suojuksen päätypäässä lukee TOP.

- !** **TÄRKEÄÄ!**
Soft Tilt -runkoa ei saa käyttää ilman suojusta.

5. Aseta ja kiinnitä patja Soft Tilt -rungolle.
 - a. Vapauta molempien hihnojen Velcro-kiinnitin suojuksen sivusta ja taita ne sivuun.
 - b. Aseta patja vuoteelle Soft Tilt -rungon päälle (katso yhteensopivat patjat kohdasta *9 Tekniset Tiedot, sivu 67*).
 - c. Vedä hihnat patjan yli ja sulje Velcro-kiinnitin, jotta patja kiinnittyy tukevasti Soft Tilt -runkoon.

4 Käyttö

4.1 Yleisiä turvallisuustietoja



VAROITUS!

Henkilövamman ja omaisuusvahingon vaara

- Vuode on sijoitettava niin, että korkeuden säätäminen ei häiriinny esimerkiksi hisseistä tai kalusteista.
- Huolehdi, että kehonosia ei jää puristuksiin kiinteiden osien (kuten sivukaiteiden, vuoteenpäätysten jne.) ja liikkuvien osien väliin.
- Lapset eivät saa käyttää käsiohjainta.
- Käsiohjainta saa käyttää vain hoitaja.



TÄRKEÄÄ

- Jos tapahtuu virtakatkos, akku varmistaa Soft Tilt -rungon nollausmahdollisuuden CPR-toiminnon avulla.
- Varmista, että akku on ladattu täyteen ennen Soft Tilt -rungon käyttämistä.
 - Katso lisätietoja Kunnossapito-osan Akku-kohdasta.

4.2 Yleiskatsaus

Soft Tilt -runkoa voi käyttää joko manuaalisessa tai automaattisessa tilassa.

Molemmissa tiloissa voi käyttää vuoteen normaalitoimintoja.



Suosittellemme pitämään pääosan hieman kohotettuna Soft Tilt -runkoa käytettäessä, sillä se tarjoaa loppukäyttäjälle mukavamman asennon.

Manuaalinen tila

Manuaalinen tila on suunniteltu tukemaan hoitohenkilöstöä loppukäyttäjän kääntämisessä kyljeltä toiselle vuoteessa.

Siivekkeitä voidaan nostaa ja laskea käsiohjaimella (katso osa *Manuaalinen käyttö*).

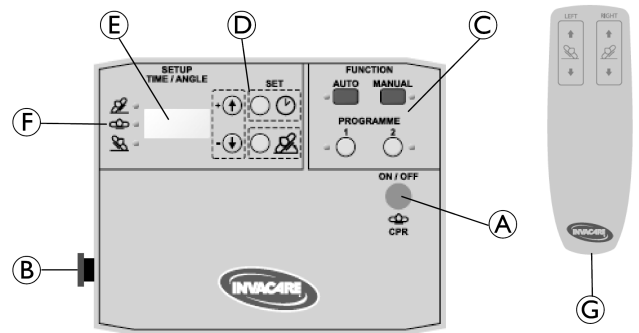
Automaattinen tila

Automaattinen tila on suunniteltu vähentämään loppukäyttäjiin kohdistuvaa painetta.

AUTO-ohjelmassa siivekkeet siirtyvät automaattisesti ajalle ja kulmalle esimääritettyjen parametrien mukaisesti (katso osa *Automaattisen ohjelman toimintajakso*).

Ohjelmassa 1 ja 2 siivekkeet siirtyvät automaattisesti ajalle ja kulmalle yksittäisesti määritettyjen parametrien mukaisesti (katso luku *Ohjelmoiminen*).

4.3 Ohjainkotelon ja käsiohjain



- A On/Off & CPR (sydämenpysähdystoiminto) -painike
- B Häätäjarrupainike
- C Toimintopainikkeet käyttötilan valintaan.
- D Asetuspainikkeet ohjelman 1 ja 2 parametrien asettamiseen
- E Näyttö
- F Suunnanilmaisimet
- G Käsiohjain

4.4 On/Off ja CPR-/nollaustoiminto

Järjestelmän virran kytkeminen

1. Kytke järjestelmän virta pitämällä painiketta A painettuna 3 sekunnin ajan.

CPR-/nollaustoiminto

CPR (puhallus-paineluelytytys)- / nollaustoiminto ohittaa kaikki komennot ja siirtää molemmat siivekkeet vaakatasoon.

1. Ota CPR-/nollaustoiminto käyttöön painamalla painiketta A (älä pidä painettuna).

Järjestelmän virran katkaiseminen

1. Nollaa järjestelmä painamalla painiketta A ja odota tarvittaessa, kunnes molemmat siivekkeet ovat siirtyneet vaakatasoon.
2. Katkaise järjestelmän virta pitämällä painiketta A painettuna 3 sekunnin ajan.

Näyttö

Järjestelmän tila	Näyttö	Huomaa
POIS		Näyttö tyhjä
KÄYTÖSSÄ	ohjelmisto-versio (3-numeroinen luku)	Näkyvä 2 s järjestelmän virran kytkemisen jälkeen. (vaihtaa passiiviseen tilaan, jos mitään toimintoa ei valita).
KÄYTÖSSÄ	— — —	Passiivinen tila (mitään toimintoa ei valittu)
Nollaus	POIS	Näkyvä, kun CPR-/nollaus-toiminto on aktivoitu. Järjestelmä vaihtaa sitten passiiviseen tilaan.

4.5 Hätäjarru

- ! TÄRKEÄÄ**
Kun hätäjarru on käytössä, CPR-toiminto voidaan edelleen tarvittaessa ottaa käyttöön painamalla painiketta Ⓐ, jolloin siivekkeet laskevat vaakatasoon.

Kun hätäjarru kytketään, se pysäyttää kaikki ohjaimet ja liikkeet välittömästi (siivekkeet pysyvät nykyisessä asennossaan).

1. Kytke painamalla painiketta Ⓑ.
2. Poista käytöstä kääntämällä painiketta Ⓑ myötäpäivään.
3. Nollaa järjestelmä painamalla painiketta Ⓐ.

4.6 Manuaali käyttö



VAROITUS!

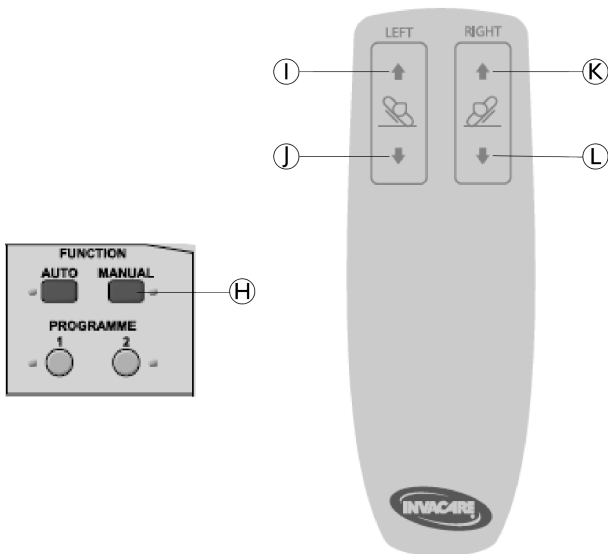
Puristumis- ja/tai vammautumisvaara

Jos molemmat siivekkeet nostetaan samanaikaisesti yli 12°:n kulmaan, potilas voi jäädä puristuksiin.

– Tätä vaihtoehtoa saa käyttää vain koulutettu henkilöstö.



Kun MANUAALINEN otetaan ensi kertaa käyttöön järjestelmän virran kytkemisen jälkeen, se nollautuu ennen kuin toimintoa voi käyttää.



1. Ota manuaalinen käyttö käyttöön pitämällä painiketta Ⓜ painettuna 3 sekunnin ajan.
2. Paina käsiohjaimen painikkeita tarpeen mukaan.

- Nosta vasen siiveke painamalla painiketta Ⓘ
- Laske vasen siiveke painamalla painiketta Ⓝ
- Nosta oikea siiveke painamalla painiketta Ⓚ
- Laske oikea siiveke painamalla painiketta Ⓛ



– Kumpaakin siivekettä voi siirtää samanaikaisesti painamalla vasempia ja oikeita painikkeita samaan aikaan.

– Siivekkeitä voi siirtää 0°–60°.

3. Poista manuaalinen käyttö käytöstä painamalla painiketta Ⓜ tai ON/OFF & CPR -painiketta Ⓐ.

Tilan merkkivalot

Näyttö	Merkkivalo
0 = ei aktiivisuutta	MANUAALINEN-merkkivalo aktiivinen
U = siiveke nousee	
d = siiveke laskee	

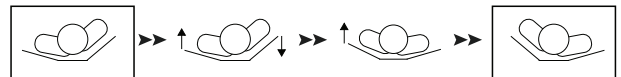
4.6.1 Suositellut toimenpiteet

Siirto selinmakuulta kyljelle:



1. Nosta molemmat siivekkeet samanaikaisesti, jotta loppukäyttäjän asento olisi mukavampi.
2. Kun molemmat siivekkeet ovat hieman kohotettuina, jatka vain ensisijaisen siivekkeen nostamista ja jätä toissijainen siiveke paikalleen.
3. Kun ensisijainen siiveke on saavuttanut halutun korkeuden, voit laskea toissijaisen siivekkeen vaakatasoon (ei pakollista).

Siirto kyljeltä toiselle:



1. Alemman kyljen nostaminen ja ylemmän laskeminen samanaikaisesti
2. Lopeta toissijaisen siivekkeen laskeminen, kun se on edelleen hieman kohotettuna, ja jatka vain ensisijaisen siivekkeen nostamista.
3. Kun ensisijainen siiveke on saavuttanut halutun korkeuden, voit laskea toissijaisen siivekkeen vaakatasoon (ei pakollista).

4.7 Automaattinen käyttö

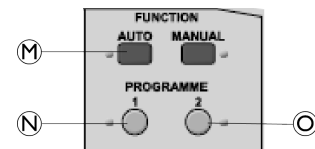
AUTO-ohjelma on esimääritetty, eikä sitä voi muuttaa.

Hoitohenkilöstö voi määrittää ohjelman 1 ja 2 yksilöllisesti (katso luku *Ohjelmoiminen*). Toimitushetkellä ohjelmat ovat tyhjiä ja ne on määritettävä ennen käyttöä.



– Jos jokin ohjelmista otetaan käyttöön, järjestelmä nollautuu TASALLA-asentoon ennen valitun ohjelman käynnistämistä.


– Jos valitaan uusi ohjelma, kun toinen ohjelma on käytössä, järjestelmä nollautuu TASALLA-asentoon ennen uuden ohjelman käynnistämistä.



1. Paina ohjelmapainikkeita tarpeen mukaan.

- Aloita AUTO-ohjelma pitämällä Ⓜ-painiketta painettuna 3 sekuntia.
- Aloita Ohjelma 1 pitämällä Ⓝ-painiketta painettuna 3 sekuntia.
- Aloita Ohjelma 2 pitämällä Ⓞ-painiketta painettuna 3 sekuntia.

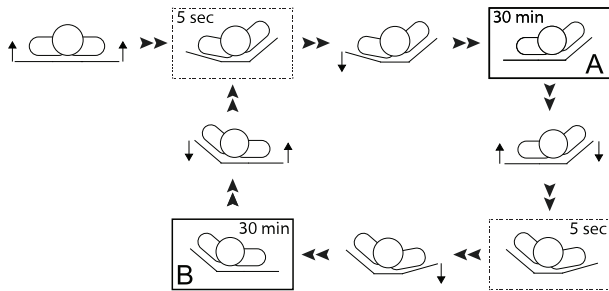
2. Pysäytä käytössä oleva ohjelma painamalla ON/OFF & CPR -painiketta Ⓐ tai painiketta Ⓜ Ⓝ, tai Ⓞ sen mukaan, mikä ohjelma on käytössä.

 Käsiohjain ei toimi, kun ohjelma on käytössä.

Tilan merkkivalot

Käytössä oleva ohjelma	Näyttö	Merkkivalo
AUTO	AU	AUTO-merkkivalo palaa
Ohjelma 1	P1	P1-merkkivalo palaa
Ohjelma 2	P2	P2-merkkivalo palaa

4.7.1 Automaattisen ohjelman toimintajakso



- Tasalla-asennosta alkaen molemmat siivekkeet alkavat nousta samanaikaisesti.

- Vasen siiveke pysähtyy 12°:seen ja oikea 30°:seen.
- 5 sekuntia sen jälkeen, kun oikea siiveke on saavuttanut 30°:n kulman, vasen siiveke laskeutuu 0°:seen.
- Tämä asento A säilyy 30 minuuttia.
- Vasen siiveke alkaa nousta ja oikea laskea samanaikaisesti.
- Oikea siiveke pysähtyy 12°:seen ja vasen jatkaa nousua 30°:seen.
- 5 sekuntia sen jälkeen, kun vasen siiveke on saavuttanut 30°:n kulman, oikea siiveke laskeutuu 0°:seen.
- Tämä asento B säilyy 30 minuuttia.


Jakso jatkaa vaihtelemista asentojen A ja B välillä, kunnes ohjelma pysäytetään.

4.8 Akun lataaminen

Akku latautuu, kun järjestelmä on kytketty virtalähteeseen ja sen virta on kytketty.

Akun latautumisen merkinä on näytön oikeassa alakulmassa oleva piste.

Akku latautuu täyteen 12 tunnissa.

 Akku EI lataudu, jos tapahtuu virhe E03 tai E04.

5 Ohjelmoiminen

5.1 Yksittäin määritetyt ohjelmat

Hoitohenkilöstö voi määrittää ohjelmat 1 ja 2 yksittäin määrittämällä siivekkeiden kulmat ja eri asentojen pitoajat.

Kulmien määrittäminen

Vasemman ja oikean siivekkeen kulmat ensimmäisen kyljen asennossa voidaan määrittää yksitellen. Toisen (vastakkaisen) kyljen asento määritetään automaattisesti peilikuvana ensimmäisen kyljen asennosta.

- Jos yhden siivekkeen kulmaksi määritetään 13°–30°, tämä siiveke määritetään "ensisijaiseksi siivekkeeksi".
- Jos yhden siivekkeen kulmaksi määritetään 0°–12°, tämä siiveke määritetään "toissijaiseksi siivekkeeksi".
- "Ensisijainen siiveke" määrittää ohjelman toimintajakson ensimmäisen kyljen asennon.

Kaksi vaihtoehtoa siivekkeelle, jonka puolella loppukäyttäjä makaa (esim. vasen siiveke, jos loppukäyttäjä makaa vasemmalla kyljellä):

- Jos toissijaisen siivekkeen kulmaksi määritetään 0°, se nousee 12°:lla kääntymisliikkeen aikana ja siirtyy vaakatasoon 5 sekuntia sen jälkeen, kun ensisijainen siiveke on saavuttanut määritetyn kulmansa, joten loppukäyttäjä lepää tasalla olevan toissijaisen siivekkeen varassa.
- Jos toissijaisen siivekkeen kulma-arvoksi määritetään 1°–12°, se pysyy kohotettuna valittuun kulmaan kylkiasennossa, ja loppukäyttäjä lepää kohotetun toissijaisen siivekkeen varassa.



HUOMIO!

Kaatumisvaara

Jos toissijainen siiveke pysyy koholla loppukäyttäjän maataessa kyljellään, etäisyys sivukaiteen yläosaan on pienempi.

– Käytä vain tähän tilanteeseen kohdassa 9 *Tekniset Tiedot, sivu 67* lueteltuja sivukaiteita.

Ajan määrittäminen:

Kahden kylkiasennon ja tasalla-asennon aika voidaan määrittää yksitellen välille 000 ja 180 minuuttia.



Ohjelman toimintajakso alkaa aina tasalla-asennosta.

Jos kylkiasennon ajaksi määritetään 000 minuuttia:

- ohjelma alkaa siirron tasalla-asennosta ensimmäiseen asentoon määritetyn ajan kuluttua
- ohjelma siirtyy vain tasalla- ja toisen kyljen asennon välillä (esim. tasalla–oikea–tasalla–oikea...)

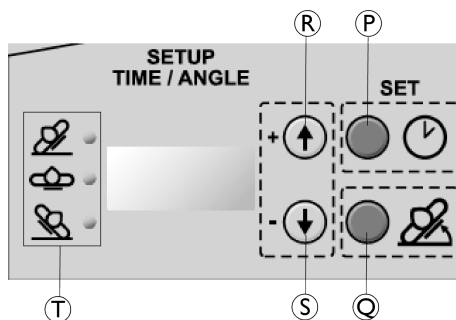
Jos yhden tasalla-asennon ajaksi määritetään 000 minuuttia:

- ohjelma alkaa heti, kun siirto ensimmäiseen kylkiasentoon on käytössä
- ohjelma siirtyy vain kahden kylkiasennon välillä (esim. vasen–oikea–vasen–oikea...)

Jos tasalla-asennon ajaksi määritetään 3–180 minuuttia:

- ohjelma alkaa siirron tasalla-asennosta ensimmäiseen asentoon määritetyn ajan kuluttua
- ohjelma siirtyy aina tasalla- asentoon kahden kylkiasennon välillä (esim. tasalla–oikea–tasalla–vasen–tasalla–oikea...)


















5.2 Yksittäisten automaattiohjelmien ohjelmoiminen




- (P) Aseta aika / Käynnistä ohjelmointitila -painike
- (Q) Aseta kulma -painike
- (R) Plus-säätöpainike (suurentaa ajan ja kulman arvoja)
- (S) Miinus-säätöpainike (pienentää ajan ja kulman arvoja)
- (T) Suunnanilmaisimet (merkkivalot)
 - Oikea (ylin) = oikea siiveke tai suunta
 - Tasainen (keskimmäinen) = kumpikin siiveke vaakatasossa
 - Vasen (alin) = vasen siiveke tai suunta

Ensin ohjelmoidaan aika, jonka siivekkeet ovat nostettuina tai tasaisina Ohjelmalle 1 tai 2, ja sitten kulma.

Vaihe	Toiminto	Näyttö	Merkkivalo	Huomaa	
1	Pidä painettuna 3 sekuntia.		SEL	ei mitään	Käynnistä ohjelmointitila
2	Paina		P1	P1	Valitse asetettava ohjelma
	tai		P2	P2	
3	Paina		010	P1 tai P2 & Oikea 	Aika-arvo näkyy näytössä
4	Paina	 	001 020	P1 tai P2 & Oikea 	Säädä aikaa välillä 000 ja 180 minuuttia (0, 3, 10–180, väleinä +/-10 min)
5	Paina		010	P1 tai P2 & Tasalla 	Aika-arvo näkyy näytössä
6	Paina	 	001 020	P1 tai P2 & Tasalla 	Säädä aikaa välillä 000 ja 180 minuuttia (0, 3, 10–180, väleinä +/-10 min)

Vaihe	Toiminto	Näyttö	Merkkivalo	Huomaa	
7	Paina		010	P1 tai P2 & Vasen 	Aika-arvo näkyy näytössä
8	Paina	 	001 020	P1 tai P2 & Vasen 	Säädä aikaa välillä 000 ja 180 minuuttia (0, 3, 10–180, väleinä +/-10 min)
9	Paina		A	Ei mitään	yksittäinen merkkiäni = aika on nyt asetettu.
10	Paina		015	P1 tai P2 & Oikea 	Kulma-arvo näkyy näytössä
11	Paina	 	014 016	P1 tai P2 & Oikea 	Säädä kulmaa välillä 00 ja 30 astetta (+/-1 asteen välein)
12	Paina		010	P1 tai P2 & Vasen 	Kulma-arvo näkyy näytössä
13	Paina	 	009 011	P1 tai P2 & Vasen 	Säädä kulmaa välillä 00 ja 30 astetta (+/-1 asteen välein)
14	Paina		—	Ei mitään	kaksiosainen äänimerkki = kulma on nyt asetettu ja koko ohjelma tallennettu.

-  • Ohjelmointitila sulkeutuu automaattisesti ilman tallennusta, jos mitään painiketta ei paineta 2 minuuttiin.

5.3 Ohjelmaesimerkit automaattista paineenvapautusta varten


- Loppukäyttäjää kääntyy oikealta kyljeltä selälleen ja vasemmalle kyljelle ja makaa aina tasalla olevan siivekkeen puolella.
 - Ensisijaisen siivekkeen kulma = 13°–30°
 - Toissijaisen siivekkeen kulma = 0°
 - Oikea-, tasalla- ja vasen-asennon aika >0 min

- Loppukäyttäjää kääntyy oikealta kyljeltä selälleen ja vasemmalle kyljelle ja makaa aina hieman koholla olevan siivekkeen puolella.
 - Ensisijaisen siivekkeen kulma = 13°–30°
 - Toissijaisen siivekkeen kulma = 1°–12°
 - Oikea-, tasalla- ja vasen-asennon aika >0 min
 Tämä ohjelma edellyttää "korkeita" sivukaiteita.

- Loppukäyttäjä kääntyy oikealta kyljeltä vasemmalle siten, ettei makaa koskaan selällään ja makaa aina tasalla olevan siivekkeen puolella.
 - Ensisijaisen siivekkeen kulma = 13° – 30°
 - Toissijaisen siivekkeen kulma = 0°
 - Oikea-, tasalla- ja vasen-asennon aika = 0 min
 - Vasen- ja oikea-asennon aika >0 min
 - katso esimerkiksi osa *Automaattisen ohjelman toimintajakso*.
- Loppukäyttäjä kääntyy oikealta kyljeltä vasemmalle siten, ettei makaa koskaan selällään ja makaa aina hieman kohollaan olevan siivekkeen puolella (keinutoiminto).
 - Ensisijaisen siivekkeen kulma = 13° – 30°
 - Toissijaisen siivekkeen kulma = 1° – 12°
 - Oikea-, tasalla- ja vasen-asennon aika = 0 min
 - Vasen- ja oikea-asennon aika >0 min

Tämä ohjelma edellyttää "korkeita" sivukaiteita.
- Loppukäyttäjä kääntyy kyljeltä selälleen ja takaisin samalle kyljelle ja makaa aina tasalla olevan siivekkeen puolella.
 - Ensisijaisen siivekkeen kulma = 13° – 30°
 - Toissijaisen siivekkeen kulma = 0°
 - Tasalla-asennon aika > 0 min
 - Vasen- tai oikea-asennon aika = 0 min
- Loppukäyttäjä kääntyy kyljeltä selälleen ja takaisin samalle kyljelle ja makaa aina hieman kohollaan olevan siivekkeen puolella.
 - Ensisijaisen siivekkeen kulma = 13° – 30°
 - Toissijaisen siivekkeen kulma = 1° – 12°
 - Tasalla-asennon aika > 0 min
 - Vasen- tai oikea-asennon aika = 0 min

Tämä ohjelma edellyttää "korkeita" sivukaiteita.
- Molemmat siivekkeet nostettu samaan kulmaan ilman asennon vaihtoa (halaus takaa).
 - Ensi- ja toissijaisen siivekkeen kulma = 10° – 12°
 - Oikea-, tasalla- ja vasen-asennon aika = 0 min
 - Vasen- ja oikea-asennon aika >0 min (asetetuilla arvoilla ei väliä, katso alla)

 Automaattista asennon vaihtoa ei tehdä, kun molempien siivekkeiden kulma on sama eli vasemman tai oikean kyljen asennolle määritetyillä ajoilla ei ole vaikutusta.

6 Huolto

6.1 Yleisiä huoltotietoja

- ! TÄRKEÄÄ!**
Soft Tilt -rungon huolto- ja ylläpitotyöt on suoritettava vuoteen huollon ja ylläpidon yhteydessä.
– Katso yksityiskohtaiset tiedot ylläpitotoimista ja tarkistusluettelot käytössä olevan vuoteen *huolto-oppaasta*.

6.2 Puhdistaminen ja desinfiointi

- ! TÄRKEÄÄ!**
Väärät nesteet tai menetelmät voivat vahingoittaa tai vaurioittaa tuotetta.
– Älä koskaan käytä syövyttäviä nesteitä (emäksiä, happoa, selluloosaohenninta, asetonia jne.)
– Älä koskaan käytä liuotinta, joka muuttaa muovin rakennetta tai irrottaa kiinnitetyt merkinnät.

Sähköosat:

- ! TÄRKEÄÄ!**
IP-luokitus määrittää sähkökomponenttien pestävyyden.
Luokitukseltaan IPx5 ja/tai IPx6 olevia sähkölaitteita ei saa pestä vesisuihkuun perustuvilla laitteilla tai pesutunnelissa.
– IP-luokitus on ilmoitettu sähkökomponenttien sarjakilvessä.
– Huomaathan myös, että komponenteilla voi olla eri luokitukset.

Tekstiilit

Katso tarkat pesuohjeet tekstiilisuojuksen lappusesta.

Yleinen puhdistusmenetelmä

Menetelmä: Pyyhi märällä liinalla tai pehmeällä harjalla.

Enimmäislämpötila: 40 °C

Liuotin/kemikaalit: Mieto kotitaloudessa käytettävä puhdistusaine tai saippuavesi.

- ! TÄRKEÄÄ**
Katso tarkat tiedot puhdistusmenetelmistä vuoteen *käyttöoppaasta* osasta *Osat, joita ei voi pestä*.

6.3 Akku

Suosittelimme tarkistamaan akun 6 kuukauden välein:

1. Nosta molemmat siivekkeet ja irrota virtajohto.
2. Paina ON/OFF & CPR -painiketta (A) ja varmista, että molemmat siivekkeet siirtyvät vaakatasoon.


Suosittelimme vaihtamaan akun 4 vuoden välein – pyydä jälleenmyyjää/teknikkaa vaihtamaan akku.

Säilytys

- ! TÄRKEÄÄ**
Ennen Soft Tilt -rungon varastoimista varmista, että järjestelmän virta on katkennut täysin ja hätäjarrupainiketta on painettu, jotta akku ei pääse tyhjenemään.

7 Käytön jälkeen

7.1 Jätteiden hävittäminen

 Jätteiden hävittämisessä/kierrättämisessä on noudatettava kunkin maan jätteiden käsittelyä koskevia lakeja ja asetuksia.

Invacare pyrkii jatkuvasti varmistamaan, että yrityksen ympäristövaikutus on sekä paikallisesti että maailmanlaajuisesti mahdollisimman pieni.

Noudatamme nykyistä ympäristölainsäädäntöä (esim. WEEE- ja RoHS-direktiivit).

Käytämme vain REACH-järjestelmän mukaisia materiaaleja ja osia.

- Kaikki sähköiset osat on poistettava ja hävitettävä sähköosina.
- Muoviosat on lähetettävä poltettavaksi tai kierrätettäväksi.
- Teräsosat voidaan hävittää jätemetallina.



TÄRKEÄÄ!

Vara-akku

- Vanhat akut on palautettava Invacareen tai kierrätettävä auton akkuina.

8 Vianmääritys

8.1 Sähköjärjestelmän vianmääritys

Virhe	Näyttö (vilkkuu 0,5 s välein kahden koodin välissä)		Äänimerkki	Merkkivalo (vilkkuu keltaisena)	Huomautus	Ratkaisu
VASEN moottori pysähtynyt	E01	E0	10 piippausta, 1 s KÄYTÖSSÄ ja 1 s POISSA	Vasen	vain automaattisessa tilassa (ei näyttöä, äänimerkkiä ja vilkkuvaa merkkivaloa manuaalisessa tilassa)	Tarkista moottoriin vievistä ja sieltä tulevista kaapeleista seuraavat asiat: – Kaapeli vahingoittumaton. – Kaapeli oikein kytketty moottoriin. – Kaapelin liitin oikein asennettu ja ehjä.
OIKEA moottori pysähtynyt	E02	E0	Kun moottoria yritetään käynnistää uudelleen: 1 piippaus 1 sekunnin ajan	Oikea		
Akkutila: virtakatkos TAI häätäjarru kytketty	E03	E0	4 piippausta, 1 s KÄYTÖSSÄ ja 1 s POISSA		– 1. äänimerkki, kun irrotettu virtalähteestä TAI häätäjarru on kytketty. Järjestelmä vaihtaa akkutilaan, ja siivekkeet pysähtyvät nykyiseen asentoonsa. – 2. äänimerkki 20 min kuluttua. – 3. äänimerkki 40 min kuluttua. – 60 min kuluttua järjestelmä vaihtaa akku vähissä -virheeseen (E04).	Kytke virtalähteeseen JA/TAI vapauta häätäjarru ja lataa ja tarkista akku (katso lisätietoja luvusta <i>Kunnossapito</i>).
Akun varaustila on alhainen	E04	E0	4 piippausta, 1 s KÄYTÖSSÄ ja 1 s POISSA		–1. äänimerkki, kun akkuvirran havaitaan olevan vähissä akkutilassa. – Lisä-äänimerkkejä 20 min välein, kunnes järjestelmän virta katkeaa akkuvirran säästämiseksi yhtä elvytystilanteessa tehtävää laskua varten.	
Puristus havaittu VASEMMASSA moottorissa	E05	E0	10 piippausta, 1 s KÄYTÖSSÄ ja 1 s POISSA	Auto, P1 tai P2 (keskeytetyn ohjelman mukaan).	Puristuksen havaitsemispuolen siiveke nousee 30°:seen, ja vastakkainen siiveke siirtyy vaakatasoon.	Tarkista, onko siivekkeiden laskeutumisen tiellä esteitä ja poista ne. Katso seuraava VAROITUS ennen näiden virheiden nollaamista
Puristus havaittu OIKEASSA moottorissa	E06	E0				
Puristus havaittu VASEMMASSA ja OIKEASSA moottorissa	E07	E0			– Alle 12°:n kulmassa olevat siivekkeet nousevat 12°:seen. – Yli 12°:ssa oleva siiveke nousee 30°:seen.	
Järjestelmän virtaa ei voi kytkeä					Vaikka järjestelmä on kytketty virtalähteeseen, sen virtaa ei voi kytkeä.	Tarkista, onko häätäjarru kytketty ja vapauta tarvittaessa.

**HUOMIO!****Vamman tai vaurion vaara**

Puristuksen havaitsemisvirheissä CPR-/nollaustoiminto ohittaa puristuksen havaitsemisen ja laskee siivekkeet.

- Varmista, ettei siivekkeiden laskeutumisen tiellä ole esineitä, ennen puristuksen havaitsemisvirheen (E05, E06 ja E07) nollaamista.



Nollaa VIRHE painamalla ON/OFF & CPR -painiketta ja yritä uudelleen.

Ota yhteyttä jälleenmyyjään tai Invacare-edustajaan, jos edellä mainittu ei ratkaise ongelmaa.

8.2 Ohjelmointivirheet

Ohjelman 1 tai 2 arvojen väärin asetusten virhenäyttö



Virhe	Näyttö	Äänimerkki	Huomautus
Ohjelma 1 tai 2	E40 4 sekunnin ajan	2 piippausta: 5 s KÄYTÖSSÄ ja 1 s POISSA	Ilmenee, kun ohjelmaa 1 tai 2 otetaan käyttöön virheellisin aika-arvoin. Vasen-, oikea- ja tasalla-asentojen aika-arvojen seuraava yhdistelmä katsotaan virheelliseksi: – Kaikki kolme aika-arvoa = 0 min – Vain yksi aika-arvo >0 min / kaksi aika-arvoa = 0 min

9 Tekniset Tiedot

9.1 Ominaisuudet

Automaattinen käyttö	Kyllä
Enimmäiskulma manuaalisessa tilassa	60°
Enimmäiskulma automaattisessa tilassa	Ensisijainen siiveke = 30° Toissijainen siiveke = 12°
Kulma-arvot automaattisessa tilassa	0°–30° (+/–1°:n välein)
Aika-arvot automaattisessa tilassa	0, 3, 10–180 min (+/–10 min välein)

9.2 Painot

	Käyttäjän enimmäispaino (edellyttäen, että patjan paino ei ole yli 20 kg)	165 kg
	Suurin turvallinen työskentelykuorma (mukaan lukien patja)	185 kg

Soft Tilt -osien painot

Yhteensä (päämoduuli ja 4 vartta)	25 kg
Päätypään varsi (1 kappale)	1,4 kg
Jalkopään varsi (1 kappale)	2,4 kg
Päämoduuli	14,5 kg
Ohjainkotelo	2,9 kg

9.3 Sallitut patjan koot

Patjan korkeus ja sivukaiteen yhteensopivuus

- ! TÄRKEÄÄ**
Sen mukaan, makaako loppukäyttäjää kyljellään tasalla olevan siivekkeen puolella (patja vaakatasossa) VAI enintään 12°:seen nostetun siivekkeen puolella, on käytettävä eri patja- ja sivukaideyhdistelmiä (katso vastaava kaavio alta).

– Loppukäyttäjää makaava tasalla olevan siivekkeen puolella

Sallitut patjan koot, kun loppukäyttäjää makaava tasalla olevan siivekkeen puolella (toissijainen siiveke = 0°).

Sivukaide	Patjan korkeus
Britt V / Line / jatkettu Line	12–14 cm
Britt V / Line / jatkettu Line ja sivukaiteen korkeusjatke asennettuna*	15–29 cm
Scala Medium 2	12–16 cm
Scala Decubi 2	17–25 cm

*On irrotettava, kun sivukaide on laskettu ja loppukäyttäjää on poistumassa vuoteesta.

– Loppukäyttäjää makaava kohollaan olevan siivekkeen puolella


Sallitut patjan koot, kun loppukäyttäjää makaava enintään 12° kohollaan olevan siivekkeen puolella (toissijainen siiveke = 1–12°).

Sivukaide	Patjan korkeus
Britt V / Line / Line Extended ja sivukaiteen korkeusjatke asennettuna*	12–22 cm
Scala Decubi 2	17–18 cm

*On irrotettava, kun sivukaide on laskettu ja loppukäyttäjää on poistumassa vuoteesta.


Patjan leveys ja korkeus riippuvat vuoteen leveydestä

Vuoteen leveys	Sallittu patjan leveys	Vähimmäispituus (cm)
85 cm	83–85 cm	200 cm
90 cm	88–90 cm	200 cm



 Suositeltu patja on uritettu.

9.4 Ympäristöolosuhteet

	Säilytys ja kuljetus	Käyttö
Lämpötila	-10 °C ... +50 °C	+5 °C ... +40 °C
Suhteellinen kosteus	20% –75 %	
Ilmanpaine	800–1 060 hPa	

 Muista, että kun vuodetta on säilytetty alhaisissa lämpötiloissa, on odotettava, että sen lämpötila tasaantuu.

9.5 Sähköjärjestelmä

Syöttöjännite: Tulojännite (Uin) 230 AC, 50/60 hertsiä (AC = vaihtovirta)
Suurin ottovirta: Tulovirta (Iin) enintään 1,5 ampeeria
Jaksottainen (moottorin jaksottainen käyttö): Int = enint. 10 %, 2 min KÄYTÖSSÄ / 18 min POISSA
Eristysluokka: LUOKKA II

Tyyppin B sovellettu osa

Sovellettu osa vastaa standardin IEC60601-1 sisältämiä sähköiskulta suojautumista koskevia erityisvaatimuksia.
(Sovellettu osa on lääkintälaitteen osa, joka on suunniteltu joutumaan fyysiseen kosketukseen potilaan kanssa, tai osia, jotka todennäköisesti joutuvat kosketukseen potilaan kanssa.)

Melutaso: 58,5 dB (A)

Suojauksen taso: IPx6* tai IPx5**

Päämoduulin, toimilaitteiden ja käsiohjaimen suojauksen taso on IPx6. Ohjainkotelon suojauksen taso on IPx5.
--

* IPX6-luokittelu tarkoittaa, että sähköjärjestelmä on suojattu mistä tahansa suunnasta tulevalta vedeltä (ei korkeapaineiselta).

** IPX5-luokittelu tarkoittaa, että sähköjärjestelmä on suojattu mistä tahansa suunnasta tulevalta matalapaineiselta vedeltä.

10 Sähkömagneettinen yhteensopivuus (EMC)

10.1 Yleistä tietoa sähkömagneettisesta säteilystä

Sähköiset lääkintälaitteet on asennettava ja niitä on käytettävä tämän oppaan sähkömagneettista yhteensopivuutta koskevien tietojen mukaisesti.

Tämä tuote on testattu ja sen on havaittu noudattavan luokan B laitteita koskevassa standardissa IEC/EN 60601-1-2 määritetyillä sähkömagneettisen yhteensopivuuden rajoilla.

Kannettavat ja siirrettävät radiotaajuustietoliikennelaitteet voivat vaikuttaa tämän tuotteen toimintaan.

Muissa laitteissa saattaa esiintyä häiriötä jopa edellä mainitussa standardissa sallittujen sähkömagneettisten päästöjen matalilla tasoilla. Selvitä, aiheuttaako tämä tuote häiriötä, käyttämällä tuotetta ja lopettamalla sen käyttäminen. Jos toiseen laitteeseen kohdistuva häiriö loppuu, tämä tuote aiheuttaa häiriön. Tällaisissa harvinaisissa tapauksissa häiriötä voidaan vähentää tai korjata seuraavasti:

- Laitteiden asettelu uudelleen, uudelleen sijoittaminen tai laitteiden välisen etäisyyden lisääminen.

10.2 Sähkömagneettinen säteily

Ohjeet ja valmistajan ilmoitus

Tämä tuote on tarkoitettu käytettäväksi jäljempänä määritetyssä sähkömagneettisessa ympäristössä. Tuotteen ostajan tai käyttäjän on varmistettava, että tuotetta käytetään tällaisessa ympäristössä.


Säteilytesti	Yhteensopivuus	Sähkömagneettinen ympäristö – ohjeet
Radiotaajuinen säteily CISPR 11	Ryhmä I	Tämä tuote käyttää radiotaajuista energiaa vain omiin sisäisiin toimintoihinsa. Siten radiotaajuinen säteily on erittäin vähäistä eikä todennäköisesti aiheuta häiriötä lähistöllä oleviin sähkölaitteisiin.
Radiotaajuinen säteily CISPR 11	Luokka B	Tämä tuote sopii käytettäväksi kaikissa tiloissa mukaan lukien asuintilat ja tilat, jotka on liitetty suoraan yleiseen pienjänniteverkkoon, josta asuinrakennukset saavat sähköä.
Harmoniset päästöt IEC 61000-3-2	Luokka A	
Jännitteenvaihtelut/ kohinapäästöt IEC 61000-3-3	Vastaa vaatimuksia	

10.3 Sähkömagneettinen häiriönsietokyky

Ohjeet ja valmistajan ilmoitus

Tämä tuote on tarkoitettu käytettäväksi jäljempänä määritetyssä sähkömagneettisessa ympäristössä. Tuotteen ostajan tai käyttäjän on varmistettava, että tuotetta käytetään tällaisessa ympäristössä.

Häiriönsietotesti	Testit/ vaatimusten- mukaisuustaso	Sähkömagneettista ympäristöä koskevia ohjeita
Sähköstaattiset purkaukset (ESD) IEC 61000-4-2	± 8kV kosketus ± 2 kV, ± 4 kV, ± 8 kV, 15 kV ilma	Lattioiden tulee olla puuta, betonia tai keraamista tiiltä. Jos lattioissa käytetään synteettisiä materiaaleja, ilman suhteellisen kosteuden tulisi olla vähintään 30 %.
Sähköstaattinen transientti/purske IEC 61000-4-4	± 2 kV virransyöttöjohdoille; 100 kHz:n toistotaajuus ± 1 kV syöttö-/lähtöjohdoille; 100 kHz:n toistotaajuus	Sähköverkkovirran laadun on oltava liikehuoneisto- tai sairaalakäyttöön sopivaa.
Ylijännite IEC 61000-4-5	± 1 kV kahden linjan välillä ± 2 kV linjan ja maadoituksen välillä	Sähköverkkovirran laadun on oltava liikehuoneisto- tai sairaalakäyttöön sopivaa.

Häiriönsietotesti	Testit/ vaatimusten- mukaisuustaso	Sähkömagneettista ympäristöä koskevia ohjeita
Jännitteen laskut, lyhytaikaiset häiriöt ja jänniteenvaihtelut sähkövirtaverkossa IEC 61000-4-11	< 0 % U_T 0,5 jakson aikana 45 °:n välein 0 % U_T 1 jakson aikana 70 % U_T 25/30 jakson aikana <5 % U_T 250/300 jakson aikana	Sähköverkkovirran laadun on oltava liikehuoneisto- tai sairaalakäyttöön sopivaa. Jos tämän tuotteen on toimittava jatkuvassa käytössä myös sähkökatkojen aikana, on suositeltavaa, että se saa virran UPS-virtalähteestä tai akusta. U_T tarkoittaa sähköverkkovirran jännitettä ennen testaustasoon siirtymistä.
Virran taajuuden (50/60 Hz) magneettikenttä IEC 61000-4-8	30 A/m	Virran taajuuden magneettisten kenttien on vastattava tasoltaan tyyppillistä liikehuoneisto- tai sairaalaympäristöä.
Johtuva radiotaajuus IEC 61000-4-6	3 V 150 kHz – 80 Mhz 6 V ISM- ja amatööriradiokaistoilla	Kiinteiden lähettimien, kuten tukiasemien (radion, matkapuhelinten, langattomien puhelinten ja maaradioliikenteen, amatööriradioiden, AM- ja FM-radiolähetysten sekä tv-lähetysten tukiasemien) kentänvoimakkuuksia ei teoreettisesti voida ennustaa tarkasti. Jotta kiinteiden radiotaajuuslähettimien sähkömagneettista ympäristöä voitaisiin arvioida, asennuspaikalla pitäisi tehdä sähkömagneettinen mittaus. Jos mitattu kentän voimakkuus siinä tilassa, jossa tätä tuotetta käytetään, ylittää edellä mainitun hyväksyttävän radiotaajuutta koskevan vaatimustason, on tarkkailtava, että tuote toimii oikein. Jos tuote ei tunnu toimivan kunnolla, on ryhdyttävä tarvittaviin toimenpiteisiin, esimerkiksi siirrettävä se toiseen paikkaan tai toiseen asentoon. Häiriöitä voi esiintyä seuraavalla symbolilla merkittyjen laitteiden läheisyydessä: 
Säteilyt radiotaajuus IEC 61000-4-3	10 V/m 80 Mhz – 2,7 GHz 385–5 785 MHz:n testitiedot häiriönsietokyvystä langattomia radiotaajuus- tietoliikennelaitteita vastaan viittaavat standardin IEC 60601-1-2:2014 taulukoon 9	Kannettavaa ja liikuteltavaa radiotaajuista tietoliikennelaitteistoa ei saa käyttää alle 30 cm:n etäisyydellä tämän tuotteen mistään osasta (johdot mukaan lukien).



Nämä ohjeet eivät välttämättä päde kaikissa tilanteissa. Sähkömagneettisen kentän etenemiseen vaikuttavat rakenteiden, esineiden ja ihmisten aikaansaama vaimentuminen ja heijastuminen.

Inhoudsopgave

Deze handleiding dient te worden overhandigd aan de gebruiker van het product. Lees deze handleiding VÓÓR u het product gebruikt en bewaar hem voor eventuele raadplegingen in de toekomst.

1 Algemeen	72
1.1 Inleiding	72
1.1.1 Definities	72
1.2 Symbolen in deze handleiding	72
1.3 Bedoeld gebruik	72
1.4 Levensduur	72
1.5 Garantie-informatie	72
1.6 Aansprakelijkheidsbeperking	72
2 Veiligheid	74
2.1 Algemene veiligheidsinformatie	74
2.2 Typeplaatjes en symbolen op het product	75
2.2.1 Productlabel	75
2.2.2 Overige labels en symbolen	75
3 Montage	76
3.1 Algemene veiligheidsinformatie	76
3.2 Omvang van de levering	76
3.3 De Soft Tilt monteren	76
4 Gebruik	80
4.1 Algemene veiligheidsinformatie	80
4.2 Overzicht	80
4.3 Bedieningsconsole en handbediening	80
4.4 Aan/uit en CPR/reset	80
4.5 Noodstop	81
4.6 Handmatige bediening	81
4.6.1 Aanbevolen procedures	81
4.7 Automatische modus	81
4.7.1 Het programma Auto	82
4.8 De accu opladen	82
5 Programmeren	83
5.1 Afzonderlijk ingestelde programma's	83
5.2 Elk van de automatische programma's programmeren ..	84
5.3 Voorbeelden van programmering voor automatische drukontlasting	85
6 Onderhoud	87
6.1 Algemene informatie over onderhoud	87
6.2 Schoonmaken en desinfecteren	87
6.3 Accu	87
7 Na gebruik	88
7.1 Afvalverwerking	88
8 Problemen oplossen	89
8.1 Problemen met het elektrische systeem oplossen	89
8.2 Programmeringsfouten	90
9 Technische Specificaties	91
9.1 Kenmerken	91
9.2 Gewichten	91
9.3 Toegestane afmetingen van de matras	91
9.4 Omgevingsvoorwaarden	91
9.5 Elektrisch systeem	91
10 Elektromagnetische compatibiliteit (EMC)	93
10.1 Algemene informatie over EMC	93
10.2 Elektromagnetische straling	93
10.3 Elektromagnetische immuniteit	93

1 Algemeen

1.1 Inleiding

Dit document hoort bij een Invacare-accessoire en bevat belangrijke informatie over gebruik en montage. Lees de gebruiksaanwijzing van het product in kwestie aandachtig door en volg de veiligheidsinstructies op om zeker te zijn van een veilig gebruik van het product.

De gebruiksaanwijzing is te vinden op de website van Invacare, of neem contact op met uw Invacare-vertegenwoordiger. Zie adres achter in dit document.

Invacare behoudt zich het recht voor om productspecificaties zonder voorafgaande kennisgeving te wijzigen.

Controleer, voordat u dit document leest, of u de juiste versie hebt. U vindt een pdf-bestand met de laatste versie op de Invacare-website.

Als u de lettergrootte in de gedrukte versie van de document moeilijk kunt lezen, kunt u een pdf-versie downloaden van de website. In de pdf-versie kunt u de letters op het scherm aanpassen tot een grootte die u prettiger vindt.

1.1.1 Definities

Bij alle verwijzingen naar links of rechts wordt ervan uitgegaan dat een persoon op zijn rug in het bed ligt, met het hoofd bij het hoofdeinde.

1.2 Symbolen in deze handleiding

In deze handleiding worden waarschuwingen aangeduid met symbolen. De waarschuwingssymbolen worden vergezeld van een kop die de ernst van het gevaar aangeeft.



WAARSCHUWING

Duidt op een gevaarlijke situatie die kan leiden tot ernstig letsel of overlijden als de situatie niet wordt vermeden.



VOORZICHTIG

Duidt op een gevaarlijke situatie die kan leiden tot licht of klein letsel als de situatie niet wordt vermeden.



BELANGRIJK

Duidt op een gevaarlijke situatie die kan leiden tot materiële schade als de situatie niet wordt vermeden.



Tips en adviezen

Hier worden nuttige tips, adviezen en informatie voor efficiënt, probleemloos gebruik gegeven.

1.3 Bedoeld gebruik

De Soft Tilt en bedieningseenheid mogen alleen in combinatie worden gebruikt met een Invacare® SB 755-bed van 85 of 90 cm breed dat is voorzien van zijhekken van de juiste hoogte (zie de tabel in *9 Technische Specificaties, pagina 91*), zijhekbekleding en een matras met schuimcompartimenten (zie de maattabel *9 Technische Specificaties, pagina 91*)

- Als onderdeel van een algeheel decubituspreventieprogramma.
- Om bedlegerige eindgebruikers te laten draaien naar linkerzij-, rechterzij- of rugligging.

- Om de eindgebruiker te helpen in en uit bed te komen.
- Bij gebruik in de automatische modus dient het om de druk te verlagen voor de eindgebruiker.
- Bij gebruik in de handmatige modus dient het als hulpmiddel voor het zorgpersoneel bij het draaien van de eindgebruiker van de ene zij op de andere in bed.
- Het is geschikt voor gebruik in een thuiszorg- of verpleegsituatie en in een normale woonomgeving.

Indicaties

De Soft Tilt is bedoeld voor de volgende groep patiënten:

- Bedlegerige, volledig of deels immobiele, volwassen eindgebruikers.
- Voor wie drukontlasting nodig is.
- Die moeten worden verzorgd in bed, zoals bij het wassen of aankleden. Deze groep eindgebruikers wordt vaak vanuit het bed overgeplaatst naar een stoel met behulp van een patiëntenlift of wordt daarbij door een verzorger en bijvoorbeeld een rollator ondersteund.

Contra-indicaties

De Soft Tilt is niet bedoeld voor psychiatrische, rusteloze of angstige gebruikers en mensen die spastisch zijn.

Voorzorgsmaatregelen

- Voordat de Soft Tilt wordt gebruikt, is het van belang om te beoordelen of de Soft Tilt geschikt is voor de desbetreffende eindgebruiker.
- Om veiligheidsredenen mag de eindgebruiker de Soft Tilt niet zelf bedienen.



WAARSCHUWING!

Andere wijzen van gebruik of onjuist gebruik kunnen tot gevaarlijke situaties leiden. Invacare aanvaardt geen aansprakelijkheid voor het gebruiken, wijzigen of monteren van het product anders dan aangegeven in deze gebruikershandleiding.

1.4 Levensduur

De verwachte levensduur van dit product is vijf jaar bij dagelijks gebruik en in overeenstemming met de veiligheidsinstructies, onderhoudstermijnen en bij correct gebruik, zoals aangegeven in deze handleiding. De effectieve levensduur kan variëren afhankelijk van de frequentie en intensiteit van het gebruik.

1.5 Garantie-informatie

Wij bieden voor dit product een fabrieksgarantie in overeenstemming met onze Algemene Voorwaarden in de respectievelijke landen.

Garantieclaims kunnen alleen worden ingediend via de dealer bij wie u het product hebt gekocht.

1.6 Aansprakelijkheidsbeperking

Invacare aanvaardt geen aansprakelijkheid voor schade veroorzaakt door:

- Niet in acht nemen van de gebruikershandleiding
- Verkeerd gebruik
- Normale slijtage
- Verkeerde montage of afstelling door de koper of een derde

- Technische aanpassingen
- Niet-geautoriseerde wijzigingen en/of gebruik van ongeschikte reserveonderdelen

2 Veiligheid

2.1 Algemene veiligheidsinformatie



WAARSCHUWING!

Compatibiliteit alleen met Invacare® SB 755-bedden

De Soft Tilt is specifiek bedoeld voor gebruik in combinatie met Invacare® SB 755-bedden van 85 of 90 cm breed.



WAARSCHUWING!

Risico op vallen

Als de Soft Tilt zonder (of met de verkeerde) zijhekken wordt gebruikt, bestaat de kans dat de gebruiker uit bed valt.

- Gebruik de Soft Tilt nooit op een bed zonder zijhekken.
- Gebruik de Soft Tilt alleen in combinatie met de in 9 Technische Specificaties, pagina 91 vermelde zijhekken van Invacare.
- Zorg er bij het gebruik van de handmatige modus altijd voor dat het zijhek aan de andere kant van waar de verzorger zich bevindt, is opgezet OF dat er een verzorger aan elke kant van het bed staat.
- Als de automatische modus is geactiveerd, moeten altijd de beide zijhekken zijn opgezet.



WAARSCHUWING!

Beknellings- en/of verstikkingsgevaar

Als de zijhekken zonder beschermhoes of met een niet-ademende beschermhoes worden gebruikt, bestaat de kans dat de gebruiker bekneld raakt en/of stikt.

- Gebruik voor de zijhekken altijd een ademende beschermhoes als u de Soft Tilt gebruikt.



WAARSCHUWING!

Kans op vallen en/of beknelling

- Voer altijd een risicoanalyse uit van de toestand van de eindgebruiker en diens bewegingsvermogen.
- Gebruik de Soft Tilt nooit als de eindgebruiker angstig of rusteloos is.
- Zorg er, voordat u de zijstukken beweegt, voor dat de eindgebruiker in het midden van het bed ligt, met alle lichaamsdelen op de matras.
- Laat de eindgebruiker nooit zonder toezicht achter wanneer de handmatige modus is ingeschakeld.
- De eindgebruiker mag nooit in of uit bed komen terwijl de zijstukken handmatig worden bewogen of wanneer de automatische modus is geactiveerd.
- De handbediening moet altijd door de verzorger worden gebruikt.



WAARSCHUWING!

Risico op letsel of beschadiging van eigendommen

- Verkeerd gebruik van de kabels kan elektrische schokken of defecten aan het product veroorzaken.
- Zorg ervoor dat u het netsnoer niet knikt, afsnijdt of beschadigt.
 - Rol niet met de zwenkwielen over het netsnoer heen.
 - Zorg ervoor dat het netsnoer niet tussen bewegende delen terecht komt.
 - Haal de netstekker uit het stopcontact voordat u het bed verplaatst.
 - Zorg ervoor dat er geen kabels (van de hoofvoeding of andere apparatuur) bekneld of beschadigd raken als het bed wordt gebruikt.
 - Houd onderdelen en accessoires van het bed op minstens 30 cm afstand van een verwarmd oppervlak en plaats ze niet in direct zonlicht.

Matrassen



WAARSCHUWING!

Veiligheidsaspecten met betrekking tot de combinatie van zijhekken en matrassen:

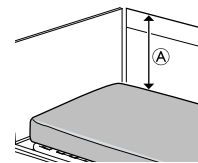
- Voor een optimale veiligheid dienen bij het gebruik van zijhekken op het bed de minimum- en maximummatrasmaten in acht te worden genomen.
- Voor de juiste afmetingen van de matras raadpleegt u de matrastabellen in hoofdstuk 9 Technische Specificaties, pagina 91.



WAARSCHUWING!

Beknellings- en/of verstikkingsgevaar

- Als de horizontale ruimte tussen de zijkant van de matras en de binnenkant van het zijhek te groot is, kan de eindgebruiker bekneld raken en/of stikken. Volg de minimummatrasbreedte (en -lengte) in combinatie met een zijhek, zoals aangegeven in de matrastabel in hoofdstuk 9 Technische Specificaties, pagina 91.
- Let erop dat dit risico groter is bij het gebruik van zeer dikke matrassen of zachte matrassen (lage dichtheid) of bij een combinatie van beide.



WAARSCHUWING!

Risico op vallen

- Als de verticale afstand [Ⓐ] tussen de bovenkant van de matras en de rand van het zijhek/beduiteinde te klein is, kan de eindgebruiker over de rand vallen en ernstig letsel oplopen. Zie de afbeelding hierboven.
- Zorg dat de afstand [Ⓐ] aan de kant van het zijstuk waarop de gebruiker ligt (met het tweede zijstuk tot max. 12° omhoog gezet) altijd minimaal 22 cm bedraagt.
 - Volg de maximummatrashoogte in combinatie met het zijhek, zoals aangegeven in de matrastabel in hoofdstuk 9 Technische Specificaties, pagina 91.

Elektromagnetische interferentie



WAARSCHUWING!

Defecten mogelijk als gevolg van elektromagnetische interferentie

Er kan elektromagnetische interferentie optreden tussen dit product en andere elektrische apparatuur. De elektrische afstel functies van dit product kunnen hierdoor verstoord worden. U kunt elektromagnetische interferentie op de volgende manieren voorkomen of verminderen:

- Gebruik alleen originele accessoires en reserve-onderdelen. Zo neemt de elektromagnetische emissie niet toe en neemt de elektromagnetische immuuniteit van dit product niet af.
- Houd draagbare RF-communicatieapparatuur op ten minste 30 cm van de onderdelen van dit product (inclusief kabels).
- Gebruik dit product niet in de buurt van actieve hoogfrequente chirurgische apparatuur of een voor RF-straling afgeschermd MRI-ruimte, waar elektromagnetische storingen in hoge mate aanwezig zijn.
- Als er sprake is van storingen, vergroot u de afstand tussen dit product en de overige apparatuur of schakelt u die apparatuur uit.
- Raadpleeg de gedetailleerde informatie en volg de richtlijnen van hoofdstuk 10 *Elektromagnetische compatibiliteit (EMC)*, pagina 93.

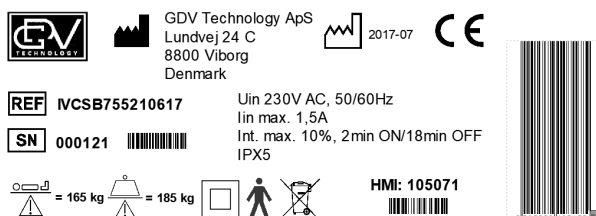
Het productlabel is aangebracht op de hoofdmodule van de Soft Tilt en bevat de belangrijkste productinformatie, inclusief technische gegevens.

Symbolen

	Serienummer
	Referentienummer
	Adres van de fabrikant
	Productiedatum
	Max. gebruikersgewicht
	Veilig te belasten tot maximaal
	Isolatieklasse 2
	Toegepast onderdeel van type B
	Conform AEEA
	Dit product voldoet aan richtlijn 93/42/EEG betreffende medische hulpmiddelen. De introductiedatum van dit product staat vermeld in de CE-conformiteitsverklaring.

2.2 Typeplaatjes en symbolen op het product

2.2.1 Productlabel



Soft Tilt for Invacare® SB 755

Afkortingen voor technische gegevens:

- Iin = ingangsstroom
- AC = wisselstroom
- Uin = ingangsspanning
- Max = maximum
- Int. = onderbrekingen
- min = minuten

Raadpleeg 9 *Technische Specificaties*, pagina 91 voor meer informatie over de technische gegevens.

2.2.2 Overige labels en symbolen

	Zie de gebruiksaanwijzing
--	---------------------------

3 Montage

3.1 Algemene veiligheidsinformatie

Controleer de verpakking na ontvangst van het product. Als de verpakking bij aflevering tekenen van beschadiging vertoont, neemt u contact op met het vervoersbedrijf.



WAARSCHUWING!

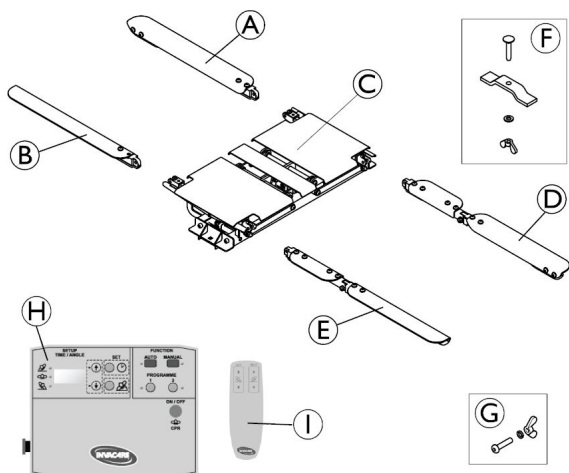
Risico op letsel of beschadiging van eigendommen

- De montage en installatie dienen te worden uitgevoerd door bevoegd of opgeleid personeel.
- Volg de instructies nauwgezet op. Mocht u vragen hebben met betrekking tot de montage, dan neemt u contact op met uw plaatselijke leverancier of Invacare-vertegenwoordiger.
 - Als het product tekenen van beschadiging vertoont, mag u het niet gebruiken. Neem contact op met uw plaatselijke leverancier of Invacare-vertegenwoordiger.
 - De elektrische apparatuur van het product mag niet worden gedemonteerd of in combinatie met andere elektrische apparatuur worden gebruikt.
 - Controleer na elke montage of alle bevestigingen goed zijn vastgezet en alle onderdelen correct functioneren.

3.2 Omvang van de levering

De Soft Tilt wordt gedeeltelijk voorgemonteerd, in een kartonnen doos geleverd.

Hoofdonderdelen



- Ⓐ Linkerzijarm aan hoofdeinde
- Ⓑ Rechterzijarm aan hoofdeinde
- Ⓒ Hoofdmodule (voorgemonteerd deel)
- Ⓓ Linkerzijarm aan voeteneinde
- Ⓔ Rechterzijarm aan voeteneinde
- Ⓕ 2 sets: Bevestigingsplaat, slotbout, sluitring en vleugelmoer
- Ⓖ 4 sets: Inbusbout, sluitring en vleugelmoer

Ⓗ Bedieningsconsole

Ⓘ Handbediening

Textielhoes (niet zichtbaar op de afbeelding)

3.3 De Soft Tilt monteren

De hoofdmodule monteren



LET OP!

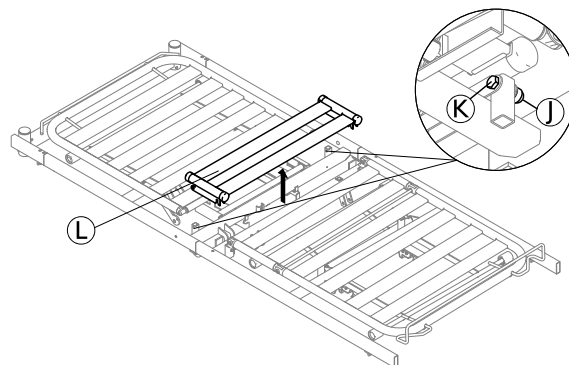
Risico op schade of lichamelijk letsel

Als de hoofdmodule verkeerd wordt vastgehouden tijdens het optillen, kan dit tot schade of lichamelijk letsel leiden.

- Houd de hoofdmodule alleen vast aan de afdekplaten van de zijstukken of aan de montagebeugels van het frame.
- Pak niet de middelste afdekplaat vast.
- Pak niet de klembeveiligingsstangen vast die aan de linker- en rechterkant onder de zijstukken zijn aangebracht.

1.

a.

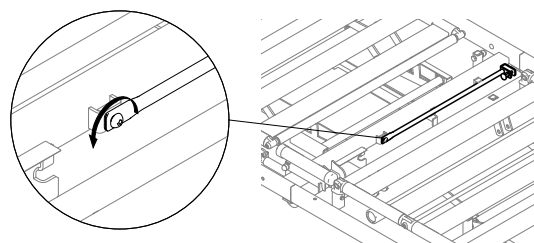


Verwijder aan elke kant van het bed moer Ⓘ en bout Ⓚ met twee sleutels van 13 mm om het lattendeel Ⓛ van het bed te verwijderen.



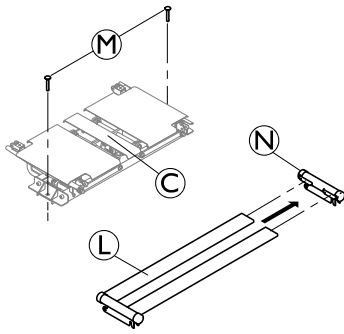
Bij bedden die zijn uitgerust met houten latten zijn er twee reservelatten van aluminium nodig om de houten latten van het lattendeel Ⓛ te vervangen.

b. De extra stap is alleen nodig bij deelbare bedden (SB 755D)



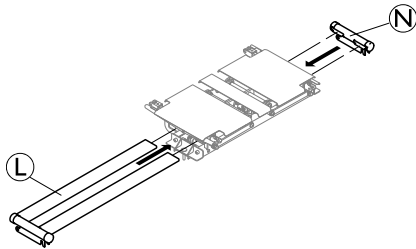
Schroef de afstandshouder op de dwarsstang van het hoofdeinde van de matrasbodemplaat los en bewaar deze. Als de Soft Tilt weer van het bed wordt verwijderd, moet de afstandshouder worden teruggeplaatst.

2.



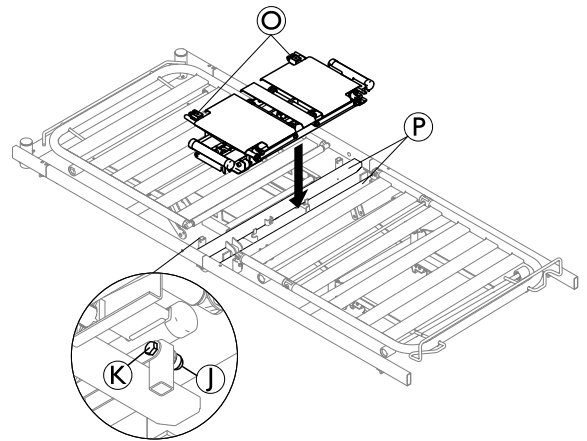
Plaats de twee slotbouten **M** in de gaten van de montagebeugels op de hoofdmodule **C** en verwijder een van de beugels **N** van het lattendeel **L**.

3.



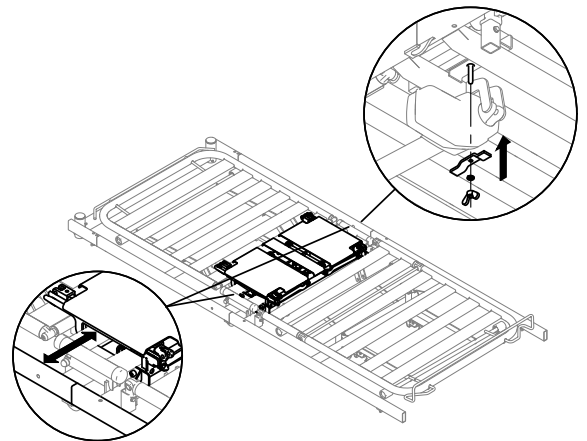
Steek de losse uiteinden van de twee latten onder de afdekplaten van de hoofdmodule en plaats ze terug in de beugel **N** aan de andere kant.

4.



Plaats de hoofdmodule met het lattendeel op de dwarsstangen **P**, met de lange verbindingstukken **O** naar het hoofdeinde van het bed gericht. Zorg dat de motorkabels tussen de dwarsstangen **P** lopen zonder dat ze klem komen te zitten. Bevestig het lattendeel met de in stap 1 verwijderde bouten **K** en moeren **J**.

5.



Zorg dat de hoofdmodule zich in het midden van de matrasbodem bevindt en dat de afstand tot de zijstangen aan beide kanten hetzelfde is. Bevestig de hoofdmodule aan beide kanten van het bed, van onderaf op de dwarsstangen van de matrasbodem met de bevestigingsplaat, sluitring en moer.

Kabels

De bedieningsconsole en handbediening moeten aan de plaat van het voeteneinde worden gehangen.



Aansluitingen op de bedieningsconsole

- **C** Stroomvoorziening

- **R** Handbediening en klembeveiligingsschakelaars via splitter
- **S** Rechtermotor
- **T** Linkermotor

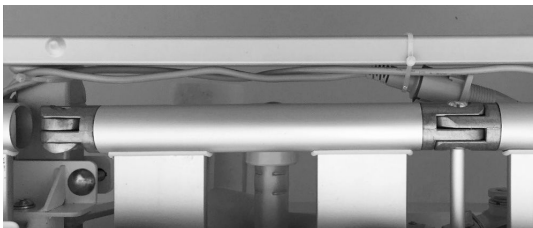
1. Sluit de kabels van de rechter- en linkermotor aan op de twee verlengsnoeren **S** en **T** van de bedieningsconsole.
2. Sluit de handbediening aan op het kortste deel van de splitter **R** en sluit netsnoer **C** aan op de netspanning.
3. Deactiveer de noodstop, schakel het systeem in, activeer de handmatige modus en controleer met behulp van de handbediening of de linker- en rechtermotor correct zijn aangesloten op de bedieningsconsole (zie hoofdstuk *Gebruik* voor gedetailleerde instructies).

4.



Zet de beide zijstukken van de hoofdmodule omhoog en verwijder het tape waarmee de klembeveiligingsschakelaars zijn vastgemaakt aan de hoofdmodule. Leg de schakelaarkabels langs een kant van het bed en leg het vrije uiteinde onder langs de eerste dwarsstang en boven langs de tweede dwarsstang, richting het voeteneinde. Sluit de kabel aan op het langste uiteinde van de splitter **R**. Bevestig elk van de kabels van de klembeveiligingsschakelaars met een plastic strip aan de dwarsstang en het frame van de Soft Tilt, zodat deze naar het hoofdeinde zijn gericht.

5.



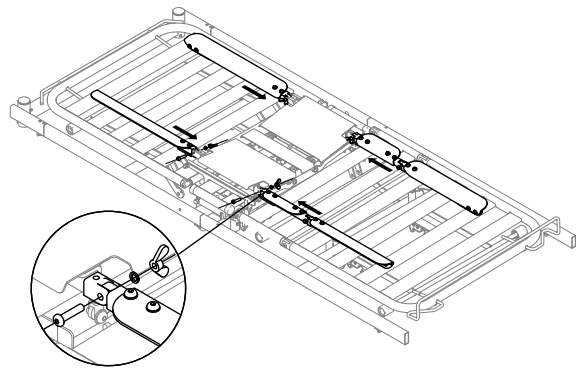
Zorg dat alle kabels onder langs de lattenbodemplaten lopen en bind aan beide kanten, met drie plastic strips de ene motorkabel samen met de schakelaarkabel vast aan een kant van het bed en de andere motorkabel aan de andere kant van het bed. Maak de eerste strip vast aan de dwarsstang en de andere twee aan de zijstang, richting het voeteneinde van het bed.



Zet het bed helemaal omhoog en omlaag om te controleren of er geen kabels klem komen te zitten.

De zijarmen en beschermhoes plaatsen

1. Zorg dat de beide zijstukken van de hoofdmodule iets omhoog staan zodat de aansluitpunten voor de zijarmen bereikbaar zijn.
- 2.



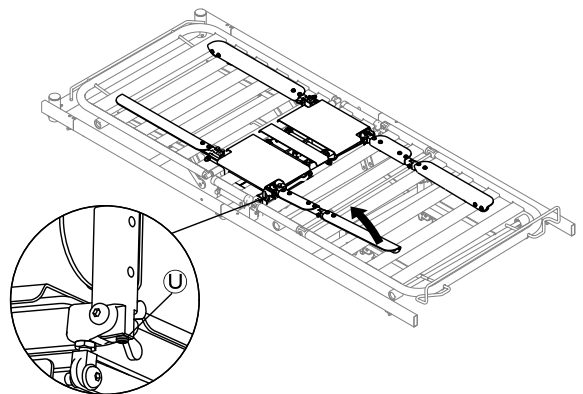
Sluit de vier zijarmen aan op de hoofdmodule en zorg daarbij dat de zijarm met het scharnier boven het scharnier op het bed voor het buigen van de knieën wordt geplaatst en dat de gebogen zijden van alle zijarmen naar buiten wijzen. Maak de vier zijarmen vast met de inbusbouten en draai de vleugelmoeren van buiten naar binnen aan. Zorg dat de veiligheidssluitringen onder de vleugelmoeren zijn geplaatst.

3.



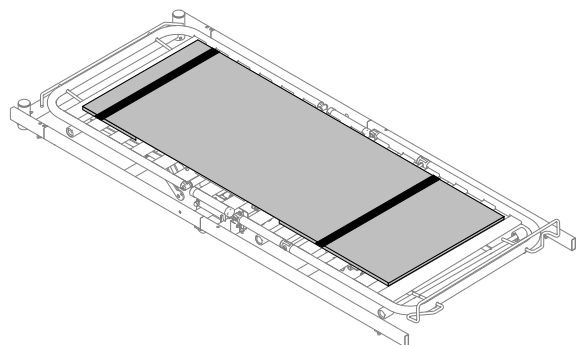
BELANGRIJK!

Zorg er tijdens het monteren voor dat de vier zijarmen horizontaal zitten en stel deze zo nodig bij



De zijarmen kunnen worden bijgesteld door deze over het scharnierpunt open te klappen richting de hoofdmodule en de stelschroef **U** zo te draaien dat de zijarmen horizontaal komen te zitten wanneer ze weer worden ingeklapt.

4.



Schuif de openingen in de beschermhoes over de zijarmen aan het hoofd- en voeteneinde. De kant van het hoofdeinde wordt aangeduid met 'TOP' op de beschermhoes.

**BELANGRIJK!**

De Soft Tilt mag niet zonder de beschermhoes worden gebruikt.

5. Leg de matras op de Soft Tilt en maak hem vast.
 - a. Maak het klittenband op de beide banden los aan de kant van de beschermhoes en laat deze naar de zijkant hangen.
 - b. Leg de matras op het bed, boven op de Soft Tilt (zie voor compatibele matrassen *9 Technische Specificaties, pagina 91*).
 - c. Leg de banden over de matras heen en maak het klittenband weer vast zodat de matras stevig op de Soft Tilt komt te liggen.

4 Gebruik

4.1 Algemene veiligheidsinformatie



WAARSCHUWING!

Kans op lichamelijk letsel en beschadiging van eigendommen.

- Het bed moet zo worden geplaatst dat de hoogteaanpassing niet wordt geblokkeerd door bijvoorbeeld liften of meubilair.
- Let op dat lichaamsdelen niet bekneld raken tussen bewegende en vaste onderdelen (zoals zijhekkens of beduiteinden).
- De handbediening mag niet door kinderen worden gebruikt.
- De handbediening mag alleen door de verzorger worden gebruikt.



BELANGRIJK

Bij stroomuitval kan de Soft Tilt dankzij de accu worden gereset via de functie 'CPR'.

- Zorg, voordat u de Soft Tilt gebruikt, dat de accu volledig is opgeladen.
- Raadpleeg Accu in het gedeelte Onderhoud voor meer informatie.

4.2 Overzicht

De Soft Tilt werkt in een handmatige of automatische modus.

In de beide modi kunnen de normale functies van het bed worden geactiveerd.



Wanneer u de Soft Tilt gebruikt, is het aan te raden om het hoofdeinde iets omhoog te zetten zodat de gebruiker comfortabeler ligt.

Handmatige modus

De handmatige modus is speciaal ontworpen om als hulpmiddel te dienen wanneer het zorgpersoneel de eindgebruiker van de ene zij op de andere in bed draait.

De zijstukken kunnen via de handbediening omhoog en omlaag worden gezet (zie het gedeelte *Handmatige bediening*).

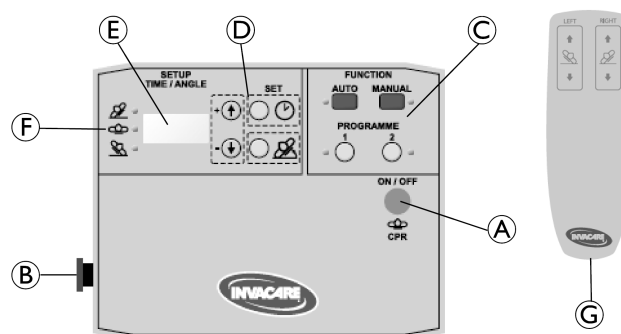
Automatische modus

De automatische modus is speciaal ontworpen om de druk te verlagen voor de eindgebruiker.

In het programma AUTO bewegen de zijstukken automatisch op basis van vooraf ingestelde parameters voor tijd en hoek (zie het gedeelte *Het programma Auto*).

In programma 1 en 2 bewegen de zijstukken automatisch op basis van afzonderlijk ingestelde parameters voor tijd en hoek (zie het gedeelte *Programmeren*).

4.3 Bedieningsconsole en handbediening



- (A) Knop On/Off, CPR (reanimatiefunctie)
- (B) Noodstopknop
- (C) Functieknoppen voor het kiezen van de modus.
- (D) Knoppen voor het instellen van de parameters voor programma 1 en 2
- (E) Display
- (F) Positie-indicatoren
- (G) Handbediening

4.4 Aan/uit en CPR/reset

Het systeem inschakelen

1. Schakel het systeem in door de knop (A) 3 seconden ingedrukt te houden.

CPR-/Reset-functie

Met de functie CPR (reanimatie) / Reset worden alle commando's verworpen en worden de beide zijstukken horizontaal gezet.

1. U activeert de CPR/Reset-functie door op knop (A) te drukken (niet ingedrukt houden).

Het systeem uitschakelen

1. Druk op de knop (A) om het systeem te resetten en wacht indien van toepassing totdat de beide zijstukken horizontaal zijn gezet.
2. Schakel het systeem uit door de knop (A) 3 seconden ingedrukt te houden.

Weergave

Systeemstatus	Weergave	Opmerking
UIT		Weergave leeg
AAN	software-versie (nummer van 3 cijfers)	Wordt 2 sec. na inschakelen systeem weergegeven. (schakelt naar passieve modus als er geen functie wordt geselecteerd).
AAN	— — —	Passieve modus (geen functie geselecteerd)
Resetten	OFF	Wordt weergegeven na activatie van de CPR/Reset-functie. Daarna wordt de passieve modus ingeschakeld.

4.5 Noodstop

! BELANGRIJK

Als de noodstop is geactiveerd, is het nog steeds mogelijk om de CPR-functie te activeren door op knop **A** te drukken, waarmee zo nodig de zijstukken horizontaal kunnen worden gezet.

Bij het activeren van de noodstop worden alle bedieningselementen en bewegingen onmiddellijk stopgezet (de zijstukken blijven in de actuele stand staan).

1. Druk op de knop **B** om te activeren.
2. Draai knop **B** rechtsom om te deactiveren.
3. Druk op knop **A** om het systeem te resetten.

4.6 Handmatige bediening



WAARSCHUWING!

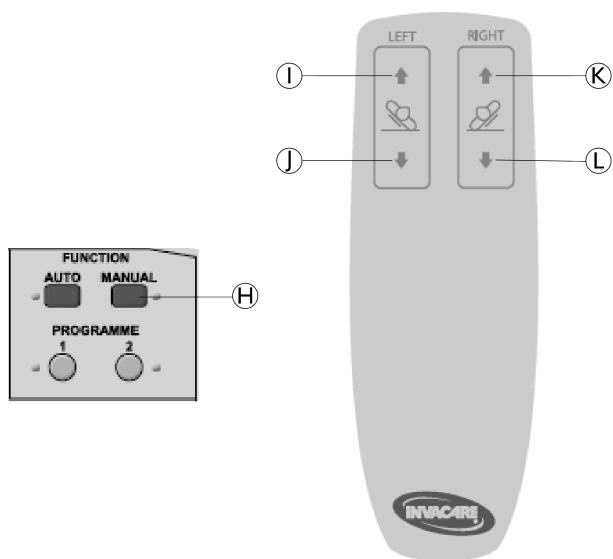
Kans op beknelling en letsel

Als de beide zijstukken gelijktijdig in een hoek van meer dan 12° omhoog worden gezet, zou de patiënt bekneld kunnen raken.

– Deze optie mag alleen worden gebruikt door opgeleid personeel.



De eerste keer dat na het inschakelen van het systeem de handmatige modus (MANUAL) wordt geactiveerd, vindt er een automatische reset plaats voordat de functie kan worden gebruikt.



1. Activeer de handmatige bediening door knop **H** 3 seconden ingedrukt te houden.
2. Druk desgewenst de knoppen in op de handbediening.
 - Om het linkerzijstuk omhoog te brengen, drukt u op **I**
 - Om het linkerzijstuk omlaag te brengen, drukt u op **J**
 - Om het rechterzijstuk omhoog te brengen, drukt u op **K**
 - Om het rechterzijstuk omlaag te brengen, drukt u op **L**



- De linker- en rechterknop kunnen tegelijk worden geactiveerd om de beide zijstukken gelijktijdig te laten bewegen.
- De zijstukken kunnen in een hoek van 0° tot 60° worden gezet.

3. Om de handmatige bediening te deactiveren, drukt u op knop **H** of op de knop ON/OFF en CPR **A**.

Statusindicatoren

Weergave	LED
0 = geen activiteit	MANUAL-led actief
U = zijstukken omhoog	
d = zijstuk omlaag	

4.6.1 Aanbevolen procedures

Van een vlakke positie naar de zij draaien:



1. Breng de beide zijstukken gelijktijdig omhoog zodat de eindgebruiker comfortabeler ligt.
2. Breng op het moment dat de beide zijstukken iets omhoog staan alleen het eerste zijstuk nog verder omhoog en laat het tweede zijstuk op zijn plek staan.
3. Zodra het eerste zijstuk op de gewenste hoogte is gekomen, kunt u het tweede zijstuk weer horizontaal zetten (maar dat hoeft niet).

Van de ene zij naar de andere draaien:




1. Breng tegelijkertijd de lage kant omhoog en de hoge kant omlaag
2. Zet het omlaag komende tweede zijstuk stil op het moment dat het nog iets omhoog staat en breng alleen het eerste zijstuk nog verder omhoog.
3. Zodra het eerste zijstuk op de gewenste hoogte is gekomen, kunt u het tweede zijstuk weer horizontaal zetten (maar dat hoeft niet).

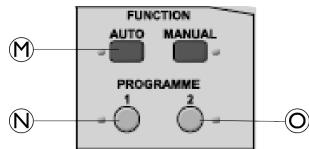
4.7 Automatische modus




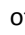



Het programma AUTO is vooraf geprogrammeerd en kan niet worden gewijzigd.


Programma 1 en 2 kunnen elk afzonderlijk door een zorgmedewerker worden geprogrammeerd (zie hoofdstuk *Programmeren*). Bij levering is het programmageheugen leeg. Dit moet voor gebruik worden geprogrammeerd.

 - Bij activatie van een van de programma's schakelt het systeem eerst de vlakke stand in waarna het geselecteerde programma wordt gestart.

- Als er een nieuw programma wordt geselecteerd terwijl een ander programma actief is, schakelt het systeem eerst de vlakke stand in waarna het nieuwe programma wordt gestart.



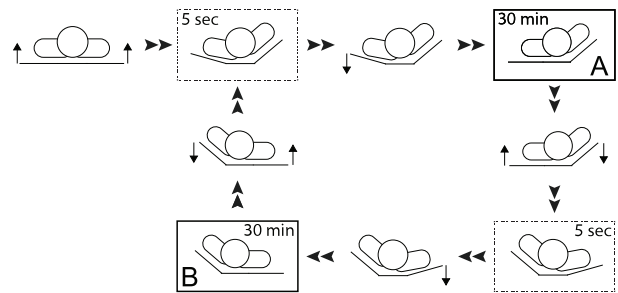
- Druk desgewenst op de programmaknoppen.
 - Om het programma AUTO te starten, houdt u  3 sec. ingedrukt.
 - Om het programma 1 te starten, houdt u  3 sec. ingedrukt.
 - Om het programma 2 te starten, houdt u  3 sec. ingedrukt.
- Als u een actief programma wilt stoppen, drukt u op de knop ON/OFF, CPR  of op   of , afhankelijk van welk programma op dat moment is geactiveerd.

 De handbediening werkt niet als er een programma actief is.

Statusindicatoren

Actief programma	Weergave	LED
AUTO	AU	AUTO-led actief
Programma 1	P1	P1-led actief
Programma 2	P2	P2-led actief

4.7.1 Het programma Auto



- Vanuit de vlakke beginpositie gaan de beide zijstukken direct, gelijktijdig omhoog.
- Het linkerzijstuk stopt op 12° en het rechterzijstuk stopt op 30°.
- 5 seconden nadat het rechterzijstuk op 30° is gekomen, zakt het linkerzijstuk tot 0°.
- Deze positie A wordt 30 minuten in stand gehouden.
- Gelijktijdig gaat het linkerzijstuk omhoog en het rechterzijstuk omlaag.
- Het rechterzijstuk stopt op 12° en het linkerzijstuk gaat verder omhoog tot maximaal 30°.
- 5 seconden nadat het linkerzijstuk op 30° is gekomen, zakt het rechterzijstuk tot 0°.
- Deze positie B blijft 30 minuten in stand.


Gedurende de cyclus worden posities A en B continu afgewisseld, totdat het programma wordt gestopt.

4.8 De accu opladen

De accu wordt opgeladen wanneer het systeem is aangesloten op de voeding en is ingeschakeld.

Het opladen van de accu wordt aangegeven met een stip rechtsonder op het display.

De accu wordt in 12 uur helemaal opgeladen.

 De accu wordt NIET opgeladen als fout E03 of E04 optreedt.

5 Programmeren

5.1 Afzonderlijk ingestelde programma's

Programma 1 en 2 kunnen afzonderlijk worden geprogrammeerd door een zorgmedewerker, waarbij de hoeken van de zijstukken en de tijden voor het aanhouden van de verschillende posities in te stellen zijn.

De hoek instellen

Voor het linker- en rechterzijstuk kunnen de hoeken in de eerste zijpositie afzonderlijk worden ingesteld. De tweede (tegenovergestelde) zijpositie wordt automatisch in spiegelbeeld ten opzichte van de eerste zijpositie ingesteld.

- Als voor een zijstuk een hoek tussen 13° en 30° wordt opgegeven, wordt dat zijstuk ingesteld als het 'eerste zijstuk'.
- Het tegenoverliggende zijstuk wordt dan ingesteld als 'tweede zijstuk' waarvoor de hoek die kan worden geselecteerd is beperkt tot 0°-12°.
- Met het 'eerste zijstuk' wordt dus de eerste zijpositie van het programma bepaald.

Er zijn twee opties voor het zijstuk waarop de eindgebruiker ligt (d.w.z. het linkerzijstuk als de eindgebruiker op de linkerzij ligt):

- Als het tweede zijstuk op 0° is ingesteld, wordt de hoek vergroot naar 12° tijdens het omdraaien en wordt het 5 sec. nadat het eerste zijstuk in de ingestelde hoek is gekomen, horizontaal gezet zodat de eindgebruiker op een vlak tweede zijstuk komt te liggen.
- Als het tweede zijstuk in een hoek tussen 1° en 12° is ingesteld, blijft het in de geselecteerde hoek, in zijpositie omhoog staan en ligt de eindgebruiker op een omhoog hellend tweede zijstuk.



LET OP!

Risico op vallen

Als het tweede zijstuk omhoog blijft staan terwijl de eindgebruiker op de zij ligt, wordt de afstand tot de bovenkant van het zijhek vergroot.

- Gebruik alleen de in 9 *Technische Specificaties*, pagina 91 vermelde zijhekkken voor deze situatie.

De tijd instellen:

Voor de beide zijposities en de vlakke positie kan de tijd afzonderlijk worden ingesteld tussen 000 en 180 minuten.



Het programma begint altijd in de vlakke positie.

Als de tijd voor een zijpositie wordt ingesteld op 000 minuten:

- wordt de overgang van de vlakke positie naar de eerste zijpositie na de opgegeven tijd in gang gezet.
- wordt er alleen gewisseld tussen de vlakke positie en de andere zijpositie (bijv. vlak-rechterzij-vlak-rechterzij...)

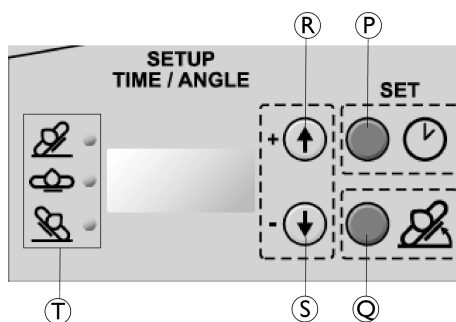
Als de tijd voor de vlakke positie wordt ingesteld op 000 minuten:

- wordt direct nadat het programma is geactiveerd de overgang naar de eerste zijpositie in gang gezet.
- wordt er alleen gewisseld tussen de twee zijposities (bijv. linker-rechterzij-linker-rechterzij...)

Als de tijd voor de vlakke positie wordt ingesteld op 3-180 minuten:

- wordt de overgang van de vlakke positie naar de eerste zijpositie na de opgegeven tijd in gang gezet.
- wordt er tussen de twee zijposities altijd naar een vlakke positie geschakeld (bijv. vlak-rechterzij-vlak-linkerzij-vlak-rechterzij...)














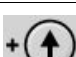



5.2 Elk van de automatische programma's programmeren




- Ⓟ Knop voor instellen tijd/starten programmeringsmodus
- Ⓞ Knop voor instellen hoek
- Ⓡ Knop voor Plus-aanpassingen (waarden voor tijd en hoek vergroten)
- Ⓢ Knop voor Min-aanpassingen (waarden voor tijd en hoek verkleinen)
- Ⓣ Positie-indicatoren (leds)
 - Rechts (boven) = rechterzijstuk of -positie
 - Vlak (midden) = beide zijstukken horizontaal
 - Links (onder) = linkerzijstuk of -positie

Als eerste wordt de tijd dat de zijstukken omhoog of horizontaal moeten blijven staan ingesteld voor programma 1 of programma 2 en vervolgens de hoeken.

Stap	Functie	Weergave	LED	Opmerking	
1	3 sec. ingedrukt houden		SEL	geen	Start de programmeringsmodus
2	Indrukken		P1	P1	Kies het in te stellen programma
	of		P2	P2	
3	Indrukken		010	P1 of P2 en rechter 	De tijd wordt weergegeven
4	Indrukken	 	001 020	P1 of P2 en rechter 	Stel een tijd in tussen 000 en 180 minuten (0, 3, 10-180 met intervallen van +/- 10 min.)
5	Indrukken		010	P1 of P2 en Vlakke 	De tijd wordt weergegeven
6	Indrukken	 	001 020	P1 of P2 en Vlakke 	Stel een tijd in tussen 000 en 180 minuten (0, 3, 10-180 met intervallen van +/- 10 min.)

Stap	Functie	Weergave	LED	Opmerking	
7	Indrukken		010	P1 of P2 en linker 	De tijd wordt weergegeven
8	Indrukken	 	001 020	P1 of P2 en linker 	Stel een tijd in tussen 000 en 180 minuten (0, 3, 10-180 met intervallen van +/- 10 min.)
9	Indrukken		A	Geen	één *PIEP* = de tijd is ingesteld.
10	Indrukken		015	P1 of P2 en rechter 	De hoek wordt weergegeven
11	Indrukken	 	014 016	P1 of P2 en rechter 	Stel een hoek in tussen 00 en 30 graden (intervallen van +/- 1 graad)
12	Indrukken		010	P1 of P2 en linker 	De hoek wordt weergegeven
13	Indrukken	 	009 011	P1 of P2 en linker 	Stel een hoek in tussen 00 en 30 graden (intervallen van +/- 1 graad)
14	Indrukken		—	Geen	dubbele *PIEP* = de hoek is ingesteld en het hele programma is opgeslagen.

-  Als er gedurende 2 min. geen knoppen worden ingedrukt, wordt de programmeringsmodus automatisch afgesloten zonder op te slaan.

5.3 Voorbeelden van programmering voor automatische drukontlasting

- De eindgebruiker van de rechterzij naar een vlakke positie naar de linkerzij draaien, de hele tijd liggend op een vlak zijstuk.
 - Hoek van eerste zijstuk = 13°-30°
 - Hoek van tweede zijstuk = 0°
 - Tijd op rechterzij, in vlakke positie en op linkerzij > 0 min.


- De eindgebruiker van de rechterzij naar een vlakke positie naar de linkerzij draaien, de hele tijd liggend op een licht omhoog hellend zijstuk.
 - Hoek van eerste zijstuk = 13°-30°
 - Hoek van tweede zijstuk = 1°-12°
 - Tijd op rechterzij, in vlakke positie en op linkerzij > 0 min.

Voor dit programma zijn 'hoge' zijhekkens nodig.

- De eindgebruiker van de rechterzij naar de linkerzij draaien, zonder in een vlakke positie te liggen en de hele tijd liggend op een vlak zijstuk.
 - Hoek van eerste zijstuk = 13°-30°
 - Hoek van tweede zijstuk = 0°
 - Tijd in vlakke positie = 0 min.
 - Tijd op linker- en rechterzij > 0 min.
 - Zie het gedeelte *Het programma Auto* als voorbeeld.
- De eindgebruiker van de rechterzij naar de linkerzij draaien, zonder in een vlakke positie te liggen en de hele tijd liggend op een licht omhoog hellend zijstuk (functie Cradle).
 - Hoek van eerste zijstuk = 13°-30°
 - Hoek van tweede zijstuk = 1°-12°
 - Tijd in vlakke positie = 0 min.
 - Tijd op linker- en rechterzij > 0 min.

Voor dit programma zijn 'hoge' zijhekken nodig.
- De eindgebruiker van één zij naar een vlakke positie en weer terug naar dezelfde zij draaien, de hele tijd liggend op een vlak zijstuk.
 - Hoek van eerste zijstuk = 13°-30°
 - Hoek van tweede zijstuk = 0°
 - Tijd in vlakke positie > 0 min.
 - Tijd op linker- of rechterzij = 0 min.
- De eindgebruiker van één zij naar een vlakke positie en weer terug naar dezelfde zij draaien, de hele tijd liggend op een licht omhoog hellend zijstuk.
 - Hoek van eerste zijstuk = 13°-30°
 - Hoek van tweede zijstuk = 1°-12°
 - Tijd in vlakke positie > 0 min.
 - Tijd op linker- of rechterzij = 0 min.

Voor dit programma zijn 'hoge' zijhekken nodig.
- Beide zijstukken in dezelfde hoek omhoog gezet zonder te herpositioneren (ruggelingse omsluiting).
 - Hoek van eerste en tweede zijstuk = 10°-12°
 - Tijd in vlakke positie = 0 min.
 - Tijd op linker- en rechterzij > 0 min (ingestelde waarden niet relevant, zie hieronder)

 Er vindt geen automatische herpositionering plaats wanneer de beide zijstukken op dezelfde hoek zijn afgesteld. Om die reden hebben de ingestelde tijden voor de linker- of rechterzijligging geen enkel effect.

6 Onderhoud

6.1 Algemene informatie over onderhoud

- !** **BELANGRIJK!**
Service en onderhoud aan de Soft Tilt moeten in combinatie met het bed plaatsvinden.
- Raadpleeg voor meer informatie over onderhoudsprocedures en checklists de *servicehandleiding* van het gebruikte bed.

6.2 Schoonmaken en desinfecteren

- !** **BELANGRIJK!**
Het gebruik van de verkeerde vloeistoffen of methoden kan het product aantasten of beschadigen.
- Gebruik nooit bijtende vloeistoffen (met bijvoorbeeld zuren, basen, thinner of aceton).
 - Gebruik nooit een oplosmiddel waardoor de structuur van het plastic kan veranderen of labels kunnen loslaten.

Elektrische onderdelen

- !** **BELANGRIJK!**
De IP-classificatie geeft aan of de elektrische onderdelen afwasbaar zijn.
- Elektronica van klasse IPx5 en/of IPx6** mogen NIET met een hogedrukreiniger of in een wasstraat worden gereinigd.
- De IP-classificatie wordt aangegeven op het serielabel van de elektrische onderdelen.
 - Houd er rekening mee dat elk onderdeel een andere classificatie kan hebben.

Textiel

Gedetailleerde wasinstructies vindt u op het label van de textielhoes

Algemene reinigingsmethode

Methode: Afnemen met een natte doek of zachte borstel.


Max. temperatuur: 40 °C

Oplosmiddel: Een mild huishoudelijk schoonmaakmiddel of water en zeep.

- !** **BELANGRIJK**
Raadpleeg voor meer informatie over reinigingsmethoden het gedeelte *Niet-afwasbare onderdelen* van de *gebruikershandleiding voor het bed*

6.3 Accu

We raden u aan de accu elke zes maanden te controleren:

1. Zet de beide zijstukken omhoog en haal de stekker uit het stopcontact.
2. Druk op de knop ON/OFF en CPR  en controleer of de beide zijstukken horizontaal worden gezet.


We raden u aan de accu na vier jaar te vervangen – Bel uw leverancier/een monteur om de accu te laten vervangen.

Opslag

- !** **BELANGRIJK**
Zorg er voordat u de Soft Tilt opbergt voor dat het systeem helemaal is uitgeschakeld en dat de noodstopknop is ingedrukt om te voorkomen dat de accu leeg raakt.

7 Na gebruik

7.1 Afvalverwerking

 Afvalverwerking/-recycling moet voldoen aan de wet- en regelgevingen voor het betreffende land.

Invacare werkt er continu aan om ervoor te zorgen dat het effect van het bedrijf op het milieu, zowel lokaal als internationaal, zo veel mogelijk wordt beperkt.

De huidige milieuwetgeving (bijvoorbeeld de richtlijn inzake AEEA en RoHS) wordt door ons nageleefd.

Wij maken uitsluitend gebruik van materialen en onderdelen die voldoen aan de REACH-richtlijnen.

- Alle elektrische onderdelen moeten worden gedemonteerd en verwerkt als elektronisch afval.
- Kunststof onderdelen moeten worden verbrand of gerecycled.
- Stalen onderdelen moeten worden verwerkt als metaalafval.



BELANGRIJK!

Reserveaccu

- U kunt oude accu's retourneren aan Invacare of hergebruiken als accu voor een auto.

8 Problemen oplossen

8.1 Problemen met het elektrische systeem oplossen

Fout	Weergave		Akoestisch signaal	LED	Opmerking	Oplossing
	(knippert met tussenpozen van 0,5 sec.)			(knippert geel)		
Motor LINKS loopt vast	E01	E0	10 pieptonen van 1 sec. AAN en 1 sec. UIT	Links	alleen in Auto-modus (geen weergave, akoestisch signaal en knipperende led in handmatige modus)	Controleer of de kabels van en naar de motor aan de volgende voorwaarden voldoen: - Kabel niet beschadigd. - Kabel goed aangesloten op motor. - Kabelconnector goed geplaatst en intact.
Motor RECHTS loopt vast	E02	E0	Bij het opnieuw activeren van de motor: 1 pieptoon van 1 sec.	Rechts		
Accumodus: Stroomstoring OF noodstop geactiveerd	E03	E0	4 pieptonen van 1 sec. AAN en 1 sec. UIT		- 1e akoestische signaal wanneer voeding wordt losgekoppeld OF de noodstop wordt geactiveerd. De accumodus wordt ingeschakeld en de zijstukken bewegen niet meer/blijven in de huidige stand. - 2e akoestische signaal na 20 min. - 3e akoestische signaal na 40 min. - Na 60 min. krijgt het systeem de foutstatus accu bijna leeg (E04).	Sluit aan op de voeding EN/OF deactiveer de noodstop om op te laden, en controleer de accu (zie hoofdstuk <i>Onderhoud</i> voor meer informatie).
Accu bijna leeg	E04	E0	4 pieptonen van 1 sec. AAN en 1 sec. UIT		- 1e akoestische signaal wanneer de accu bijna leeg blijkt te zijn in de accumodus. - Akoestische signalen worden elke 20 min. herhaald totdat het systeem gedurende één CPR-verlaging naar de accuspaarstand schakelt.	
Beklemming gedetecteerd op motor LINKS	E05	E0	10 pieptonen van 1 sec. AAN en 1 sec. UIT	Auto, P1 of P2 (afhankelijk van het programma dat is onderbroken).	Het zijstuk aan de kant van de klemdetector wordt 30° omhoog gezet; het zijstuk ertegenover wordt horizontaal gezet.	
Beklemming gedetecteerd op motor RECHTS	E06	E0				
Beklemming gedetecteerd op motor LINKS en RECHTS	E07	E0			- Zijstuk(ken) op minder dan 12° worden naar 12° gezet. - Zijstuk op meer dan 12° wordt naar 30° gezet	
Het systeem kan niet worden ingeschakeld					Ondanks dat de voeding is aangesloten, schakelt het systeem niet in.	Controleer of de noodstop is geactiveerd en deactiveer deze zo nodig.

**LET OP!****Risico op schade of lichamelijk letsel**

Met de CPR-/Reset-functie worden beklemmingsfouten verworpen en worden de zijstukken toch omlaag gezet.
 – Zorg voordat u een beklemmingsfout reset dat de zijstukken bij het omlaag zetten niet worden belemmerd door voorwerpen (E05, E06 en E07)



Druk op de knoppen ON/OFF en CPR om de FOUT te herstellen en probeer het opnieuw.

Neem contact op met uw leverancier of Invacare-vertegenwoordiger als de problemen hiermee niet kunnen worden opgelost.

8.2 Programmeringsfouten

Foutenweergave bij verkeerd ingestelde waarden voor programma 1 of 2

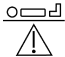

Fout	Weergave	Akoestisch signaal	Opmerking
Programma 1 of 2	E40 gedurende 4 sec.	2 pieptonen van 5 sec. AAN en 1 sec. UIT	Treedt op wanneer programma 1 of 2 met verkeerd ingestelde waarden wordt geactiveerd. De volgende combinatie van tijden voor de linkerzij, rechterzij en vlakke positie gelden als verkeerd ingestelde waarden: - Alle drie de tijden = 0 min. - Slechts één tijd > 0 min. / twee tijden = 0 min.

9 Technische Specificaties

9.1 Kenmerken

Automatische modus	ja
Max. hoek in handmatige modus	60°
Max. hoek in automatische modus	eerste zijstuk = 30° tweede zijstuk = 12°
Hoeken in automatische modus	0°–30° (interval van +/- 1°)
Tijden in automatische modus	0, 3, 10–180 min (intervallen van +/- 10 min.)

9.2 Gewichten

	Max. gebruikersgewicht (ervan uitgaande dat het gewicht van de matras niet meer dan 20 kg bedraagt)	165 kg
	Veilig te belasten tot maximaal (inclusief matras)	185 kg

Gewicht van de Soft Tilt-onderdelen

Compleet (hoofdmodule en 4 zijarmen)	25 kg
Zijarm hoofdeinde (1 stuk)	1,4 kg
Zijarm voeteneinde (1 stuk)	2,4 kg
Hoofdmodule	14,5 kg
Bedieningsconsole	2,9 kg

9.3 Toegestane afmetingen van de matras

Matrashoogte en bijpassende zijhekken



BELANGRIJK

Afhankelijk van of de eindgebruiker in zijligging op een vlak zijstuk ligt (matras horizontaal) of dat het zijstuk waarop de eindgebruiker ligt tot 12° omhoog is gezet, zijn er verschillende combinaties matrassen en zijhekken nodig (zie de relevante tabel hieronder).

– Eindgebruiker ligt op vlak zijstuk

Toegestane matrashoogte, wanneer de eindgebruiker op een vlak zijstuk ligt (tweede zijstuk = 0°).

Zijhek	Matrashoogte
Britt V / Line / Line Extended	12–14 cm
Britt V / Line / Line Extended, met zijhekverhoger bevestigd*	15–29 cm
Scala Medium 2	12–16 cm
Scala Decubi 2	17–25 cm

* Moet er af worden gehaald wanneer het zijhek wordt neergeklapt en de eindgebruiker het bed verlaat.

– Eindgebruiker ligt op omhoog gezet zijstuk

Toegestane matrashoogte, wanneer de eindgebruiker op zijstuk in een omhoog hellende hoek van tot 12° ligt (tweede zijstuk = 1-12°).

Zijhek	Matrashoogte
Britt V / Line / Line Extended, met zijhekverhoger bevestigd*	12–22 cm
Scala Decubi 2	17–18 cm

* Moet er af worden gehaald wanneer het zijhek wordt neergeklapt en de eindgebruiker het bed verlaat.

Breedte en lengte van de matras op basis van de breedte van het bed

Breedte van het bed	Toegestane breedte van de matras	Min. lengte (cm)
85 cm	83–85 cm	200 cm
90 cm	88–90 cm	200 cm



Een matras met compartimenten wordt aanbevolen.



9.4 Omgevingsvoorwaarden

	Opslag en transport	Bediening
Temperatuur	-10 °C tot +50 °C	+5 °C tot +40 °C
Relatieve vochtigheid	20% tot 75%	
Atmosferische druk	800 hPa tot 1060 hPa	



Als een bed bij een lage temperatuur opgeslagen is geweest, moet het eerst op bedrijfstemperatuur komen voordat het in gebruik wordt genomen.

9.5 Elektrisch systeem

Toevoerspanning: U _{in} 230 V, AC, 50/60 Hz (AC = wisselstroom)
Maximale ingangsstroom: I _{in} max. 1,5 ampère
Met onderbrekingen (periodieke motorfunctie): I _{nt} = max. 10%, 2 min AAN / 18 min UIT
Isolatieklasse: KLASSE II

Toegepast onderdeel van type B

Toegepast onderdeel voldoet aan de opgegeven vereisten voor bescherming tegen elektrische schokken in overeenstemming met IEC60601-1.
(Een toegepast onderdeel is een onderdeel van het medische apparaat dat is ontworpen om fysiek in contact te komen met de patiënt of een onderdeel dat mogelijk in contact komt met de patiënt.)

Geluidsniveau: 58,5 dB(A)

Mate van bescherming: IPx6* of IPx5**

De hoofdmodule, actuators en handbediening zijn beschermd conform IPx6. De bedieningsconsole is beschermd conform IPx5.

* Een IPx6-classificatie houdt in dat het elektrische systeem beschermd is tegen water dat vanuit een willekeurige richting wordt gespoten (geen hoge druk).

** Een IPx5-classificatie houdt in dat het elektrische systeem beschermd is tegen water onder lage druk dat vanuit een willekeurige richting wordt gespoten.

10 Elektromagnetische compatibiliteit (EMC)

10.1 Algemene informatie over EMC

Elektrische medische apparatuur moet worden geïnstalleerd en gebruikt in overeenstemming met de EMC-informatie in deze handleiding.

Tests hebben uitgewezen dat dit product voldoet aan de EMC-richtlijnen volgens IEC/EN 60601-1-2 voor apparatuur van klasse B.

Draagbare en mobiele RF-communicatieapparatuur kan de werking van dit product beïnvloeden.

Bij andere apparaten kan er al van interferentie sprake zijn bij zeer lage elektromagnetische straling, zelfs als wordt voldaan aan bovengenoemde richtlijnen. Om te kunnen bepalen of emissie uit dit product de oorzaak is van de interferentie, schakelt u het product in en weer uit. Als er bij uitschakeling van dit product geen interferentie meer optreedt, is het product de oorzaak van de interferentie. In dit soort zeldzame gevallen kunt u het volgende doen om de interferentie te verminderen of te stoppen:

- Draai of verplaats het product, of vergroot de afstand tussen de apparaten.

10.2 Elektromagnetische straling

Richtlijn en verklaring van de fabrikant

Dit product is bedoeld voor gebruik in een elektromagnetische omgeving zoals hieronder aangegeven. De klant of de gebruiker van dit product moet zeker stellen dat dit in een dergelijke omgeving wordt gebruikt.


RF-emisietest	Naleving	Elektromagnetische omgeving – richtlijn
RF-emissies CISPR 11	Groep I	Dit product gebruikt elektromagnetische energie uitsluitend voor de interne functies. Daardoor zijn de RF-emissies zeer laag en veroorzaken deze hoogstwaarschijnlijk geen interferentie in nabije apparaten.
RF-emissies CISPR 11	Klasse B	Dit product is geschikt voor gebruik in alle situaties, inclusief thuishituaties en overal waar het openbare laagspanningsnet de stroom levert voor huishoudelijke doeleinden.
Harmonische emissies IEC 61000-3-2	Klasse A	
Spanningsfluctuaties/ flikkeremissies IEC 61000-3-3	Voldoet	

10.3 Elektromagnetische immuniteit

Richtlijn en verklaring van de fabrikant

Dit product is bedoeld voor gebruik in een elektromagnetische omgeving zoals hieronder aangegeven. De klant of de gebruiker van dit product moet zeker stellen dat dit in een dergelijke omgeving wordt gebruikt.

Immuniteitstest	Testniveau/ mate van overeenkomst	Elektromagnetische omgeving– richtlijn
Elektrostatische ontlading (ESD) IEC 61000-4-2	± 8 kV contact ± 2 kV, ± 4 kV, ± 8 kV, 15 kV lucht	Vloeren moeten van hout, beton of tegels zijn. Als vloeren zijn bekleed met synthetische vloerbedekking, moet de relatieve vochtigheid minstens 30% bedragen.
Elektrostatische transiënt/ burst IEC 61000-4-4	± 2 kV voor stroomtoevoerkabels; 100 kHz herhaalfrequentie ± 1 kV voor input-/outputkabels; 100 kHz herhaalfrequentie	De kwaliteit van de netstroom moet overeenkomen met die van een commerciële omgeving of ziekenhuisomgeving.
Overspanning IEC 61000-4-5	± 1 kV kabel naar kabel ± 2 kV kabel naar aarde	De kwaliteit van de netstroom moet overeenkomen met die van een commerciële omgeving of ziekenhuisomgeving.

Immunitiestest	Testniveau/ mate van overeenkomst	Elektromagnetische omgeving- richtlijn
Spanningsdips, korte onderbrekingen en spanningsvariaties op stroomtoevoerkabels IEC 61000-4-11	< 0% U_T gedurende 0,5 cyclus in stappen van 45° 0% U_T gedurende 1 cyclus 70% U_T gedurende 25/30 cycli < 5% U_T gedurende 250/300 cycli	De kwaliteit van de netstroom moet overeenkomen met die van een commerciële omgeving of ziekenhuisomgeving. Als de gebruiker van dit product continue beschikbaarheid vereist gedurende netspanningsonderbrekingen, wordt aangeraden het product van voeding te voorzien met een noodstroomvoorziening (UPS, Uninterruptable Power Supply) of een accu. U_T is de netspanning vóór toepassing van de test.
Magnetisch veld van netstroomfrequentie (50/60 Hz) IEC 61000-4-8	30 A/m	Magnetische velden van de netspanningsfrequentie moeten op een niveau liggen dat kenmerkend is voor een typische commerciële omgeving of ziekenhuisomgeving.
Geleidings-RF IEC 61000-4-6 Stralings-RF IEC 61000-4-3	3 V 150 kHz - 80 Mhz 6 V binnen bandbreedtes voor ISM en amateurradio 10 V/m 80 Mhz - 2,7 GHz Zie tabel 9 van IEC 60601-1-2:2014 voor specificaties van de 385 MHz - 5785 MHz-test met betrekking tot immuniteit voor draadloze RF-communicatie-apparatuur.	De veldsterkte van vaste zenders, zoals basisstations voor draadloze telefonie, mobilofoons, amateurzenders, AM- en FM-radiozenders en tv-zenders kunnen theoretisch niet nauwkeurig worden voorspeld. Om de invloed van vaste RF-zenders op de elektromagnetische omgeving te bepalen, moet een elektromagnetisch veldonderzoek worden overwogen. Indien de gemeten veldsterkte op de locatie waar het product wordt gebruikt de eerdergenoemde toegestane elektromagnetische waarden overstijgt, moet dit product worden geobserveerd om normaal functioneren vast te stellen. Als abnormaal functioneren wordt geconstateerd, zijn wellicht extra maatregelen nodig, zoals het verdraaien of verplaatsen van het product. Interferentie kan optreden in de nabijheid van apparatuur met het volgende symbool:  Houd draagbare en mobiele RF-communicatieapparatuur op ten minste 30 cm van de onderdelen van dit product (inclusief kabels).



Deze richtlijnen zijn mogelijk niet in alle omstandigheden van toepassing. Elektromagnetische straling wordt beïnvloed door absorptie en reflectie van gebouwen, objecten en mensen.

Innholdsfortegnelse

Denne veiledningen skal overleveres til sluttbrukeren. Les denne veiledningen FØR du bruker produktet, og behold den for fremtidig referanse.

1 Generell informasjon	96
1.1 Innledning.	96
1.1.1 Definisjoner.	96
1.2 Symboler i denne håndboken	96
1.3 Bruksområde.	96
1.4 Levetid	96
1.5 Garantiopplysninger.	96
1.6 Ansvarsbegrensning.	96
2 Sikkerhet	97
2.1 Generell sikkerhetsinformasjon	97
2.2 Merking og symboler på produktet	98
2.2.1 Produktetikett	98
2.2.2 Andre etiketter og symboler.	98
3 Montering	99
3.1 Generell sikkerhetsinformasjon	99
3.2 Levert produkt	99
3.3 Montere Soft Tilt.	99
4 Bruk	102
4.1 Generell sikkerhetsinformasjon	102
4.2 Oversikt	102
4.3 Kontrollboks og håndkontroll	102
4.4 På/Av og CPR/nullstillingsfunksjon	102
4.5 Nødstopp	103
4.6 Manuell betjening.	103
4.6.1 Anbefalte prosedyrer	103
4.7 Automatisk betjening	103
4.7.1 Automatisk programsekvens.	104
4.8 Lade batteriet	104
5 Programmering	105
5.1 Individuelt definerte programmer	105
5.2 Hvordan programmere de individuelle, automatiserte programmene.	106
5.3 Proqrameksempler for automatisert trykkavlastning	107
6 Vedlikehold	109
6.1 Generell vedlikeholdsinformasjon.	109
6.2 Rengjøring og desinfisering	109
6.3 Batteri	109
7 Etter bruk	110
7.1 Avfallshåndtering.	110
8 Feilsøking	111
8.1 Feilsøking av det elektriske systemet	111
8.2 Programmeringsfeil	112
9 Tekniske Data	113
9.1 Egenskaper	113
9.2 Vekt	113
9.3 Tillatt madrassstørrelse	113
9.4 Miljøbetingelser	113
9.5 Elektrisk system	113
10 Elektromagnetisk kompatibilitet	115
10.1 Generell EMC-informasjon	115
10.2 Elektromagnetisk utslipp	115
10.3 Elektromagnetisk immunitet	115

1 Generell informasjon

1.1 Innledning

Denne bruksanvisningen er for ekstrautstyr fra Invacare og inneholder viktig informasjon om håndtering og montering. Les bruksanvisningen til produktet nøye og følg sikkerhetsinstruksjonene i den, slik at du kan bruke produktet på en sikker måte.

Finn bruksanvisningen på Invacares hjemmeside eller kontakt din Invacare-representant. Se adresser bakerst i denne håndboken.

Invacare forbeholder seg retten til å endre produktspesifikasjoner uten forvarsel.

Før du leser denne håndboken, må du forsikre deg om at du har den nyeste versjonen. Du finner den nyeste versjonen som en PDF-fil på Invacare-nettstedet.

Hvis skriftstørrelsen i utskriftsversjonen av bruksanvisningen er vanskelig å lese, kan du laste ned PDF-versjonen fra nettstedet. Deretter kan du skalere PDF-en, slik at fontstørrelsen fungerer bedre for deg.

1.1.1 Definisjoner

Alle henvisninger til venstre og høyre er basert på at en person ligger på ryggen i sengen, med hodet i hodeenden.

1.2 Symboler i denne håndboken

Advarslene i denne bruksanvisningen er angitt med symboler. Advarselssymbolene ledsages av en overskrift som angir alvorlighetsgraden.



ADVARSEL

Angir en farlig situasjon som kan føre til alvorlig personskade eller død dersom den ikke unngås.



FORSIKTIG

Angir en farlig situasjon som kan føre til lettere skade dersom den ikke unngås.



VIKTIG

Angir en farlig situasjon som kan føre til skade på utstyr hvis den ikke unngås.



Tips og anbefalinger

Gir nyttige tips, anbefalinger og opplysninger når det gjelder effektiv og problemfri bruk.

1.3 Bruksområde

Soft Tilt og kontrollenheten er beregnet på å bli brukt bare i Invacare® SB 755-senger med bredde på 85 eller 90 cm., utstyrt med sengegrinder i riktig høyde (se tabellen i 9 *Tekniske Data, side 113*), sengegrindtrekk og kastellert skummadrass (se størrelsestabell 9 *Tekniske Data, side 113*)

- Som ledd i et helhetlig program for å forhindre trykksår.
- For å snu sengeliggende sluttbrukere så de ligger på venstre eller høyre side, eller på ryggen.
- Hjelper sluttbrukeren til å komme seg inn i og ut av sengen.

- Når brukt i «automatisk» modus, er den designet for å gi sluttbrukere redusert trykk.
- Når brukt i «manuell» modus, er den designet til å støtte helsepersonell i å snu sluttbrukeren fra side til side i sengen.
- Den er egnet for bruk i alle hjemmesituasjoner, boliger og pleieinstitusjoner.

Indikasjoner

Soft Tilt er beregnet på følgende pasientgrupper:

- Sengeliggende, immobile/delvis immobile voksne sluttbrukere.
- Som trenger pleie av trykksår.
- Som trenger pleie i sengen som personlig hygiene, bandasjering, osv. Denne gruppen sluttbrukere blir ofte flyttet fra seng til stol med en løfteanordning eller med manuell støtte fra helsepersonell i kombinasjon med et teknisk hjelpemiddel som en rullator.

Kontraindikasjoner

Soft Tilt er ikke beregnet for psykiatriske, rastløse eller engstelige sluttbrukere eller personer med kramper.

Forholdsregler

- Før Soft Tilt brukes, er det viktig å vurdere om den er egnet for den aktuelle sluttbrukeren.
- Av sikkerhetsmessige årsaker må ikke sluttbrukeren betjene Soft Tilt selv.



ADVARSEL!

Dersom sengen brukes på en annen eller feilaktig måte, kan dette føre til farlige situasjoner. Invacare erkjenner ikke ansvar for annen type bruk, endring eller montering enn det som er angitt i denne bruksanvisningen.

1.4 Levetid

Produktets forventede levetid er fem år ved daglig bruk, gitt at produktet brukes i samsvar med sikkerhetsinstrukser, vedlikeholdsintervaller og informasjon om riktig bruk som er lagt frem i denne håndboken. Den faktiske levetiden varierer etter brukens hyppighet og intensitet.

1.5 Garantiopplysninger

Vi tilbyr en produsentgaranti for produktet i samsvar med våre generelle forretningsvilkår i det aktuelle landet.

Garantikrav kan bare rettes gjennom den aktuelle leverandøren av produktet.

1.6 Ansvarsbegrensning

Invacare erkjenner ikke ansvar for skade som skyldes:

- Manglende overholdelse av instruksjonene i bruksanvisningen
- Feil bruk
- Naturlig slitasje
- Feilmontering utført av kjøperen eller en tredjepart
- Tekniske endringer
- Endringer som ikke er godkjent, og/eller bruk av uegnede reservedeler

2 Sikkerhet

2.1 Generell sikkerhetsinformasjon



ADVARSEL!

Kun kompatibel med Invacare® SB 755-senger
Soft Tilt er spesialdesignet og må bare brukes i forbindelse med Invacare® SB 755-senger med bredde på 85 eller 90 cm.



ADVARSEL!

Risiko for å falle

Hvis Soft Tilt brukes uten eller med feil sengegrind, foreligger en risiko for at sluttbrukeren faller ut av sengen.

- Bruk aldri Soft Tilt på en seng uten grind.
- Bruk bare Soft Tilt i kombinasjon med Invacare sengegrind som er oppgitt i *9 Tekniske Data, side 113*
- Pass alltid på at sengegrinden er på motsatt side av der helsepersonell står ELLER personell kan stå på hver side av sengen når manuell modus brukes.
- Sjekk alltid at begge sengegrinder er oppe når automatisk modus er aktivert.



ADVARSEL!

Risiko for klemming og/eller kvelning

Hvis sidegrindene brukes uten trekk eller med trekk som ikke puster, foreligger risiko for klemming og/eller kvelning for sluttbrukeren.

- Bruk alltid trekk som puster til sengegrinden når du bruker Soft Tilt.



ADVARSEL!

Risiko for å falle og/eller klemming

- Utfør alltid en risikoevaluering av sluttbrukerens tilstand og bevegelighet.
- Bruk aldri Soft Tilt hvis sluttbrukeren er engstelig eller rastløs.
- Sjekk alltid at sluttbrukeren ligger midt på sengen og at alle kroppsdeler er på madrassen før vingene flyttes.
- La aldri sluttbrukeren ligge uten tilsyn når manuell modus brukes.
- Sluttbrukeren må aldri gå inn eller ut av sengen når vingene er flyttet manuelt eller automatisk modus er aktivert.
- Håndkontrollen må alltid brukes av omsorgsgiveren.



ADVARSEL!

Skaderisiko for personer eller materiell

Feil håndtering av kabler kan føre til elektrisk støt og produktsvikt.

- Ikke knekk, kutt eller skad hovedstrømledningen på noen annen måte.
- Pass på at hjulene ikke ruller over strømledningen.
- Unngå at strømledningen kommer mellom bevegelige deler.
- Ta støpselet ut av stikkontakten før sengen flyttes.
- Sørg for at ingen kabler (nettkabler eller kabler fra annet utstyr) kommer i klem eller blir skadet når sengen er i bruk.
- Oppbevar alle sengekomponenter og ekstrautstyr i minst 30 cm avstand fra varme overflater og ikke i direkte sollys.

Madrasser



ADVARSEL!

Sikkerhetsaspekter ved kombinerings av sengegrinder og madrasser:

For å oppnå så høy sikkerhet som mulig er det viktig å overholde minimums- og maksimumsmålene for madrasser når det brukes sengegrinder i sengen.

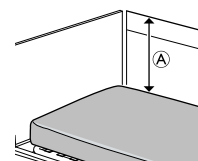
- For riktige madrasmål, se madrastabeller i kapittel 9 *Tekniske Data, side 113*



ADVARSEL!

Klem- og kvelningsfare

- Sluttbrukeren kan sette seg fast og/eller kveles hvis det horisontale området mellom siden av madrassen og innsiden av sengegrinden er for stort. Overhold minimumsbredden (og -lengden) for madrasser i kombinasjoner med sengegrinder som er angitt i madrastabellen i kapittel 9 *Tekniske Data, side 113*
- Vær oppmerksom på at svært tykke eller myke madrasser (med lav tetthet) eller en kombinasjon av slike, øker faren.



ADVARSEL!

Risiko for å falle

Sluttbrukeren kan falle over kanten og skades alvorlig hvis den vertikale avstanden [Ⓐ] mellom toppen av madrassen og kanten av sengegrinden/endegavlen er for liten. Se bildet ovenfor.

- Sørg alltid for en minimumsavstand [Ⓐ] på 22 cm på siden av vingen som brukeren ligger på (sekundær vinge hevet til maks. 12 °).
- Overhold maksimumshøyden for madrasser i kombinasjon med sengegrinder som er angitt i madrastabellen i kapittel 9 *Tekniske Data, side 113*

Elektromagnetiske forstyrrelser



ADVARSEL!

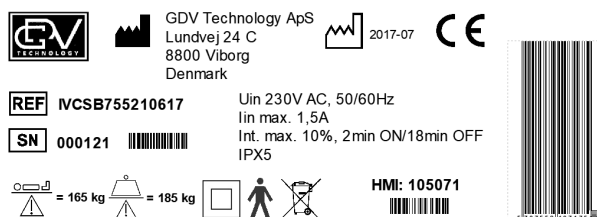
Risiko for funksjonssvikt på grunn av elektromagnetisk forstyrrelse

Elektromagnetisk forstyrrelse mellom dette produktet og annet elektrisk utstyr kan oppstå og forstyrre de elektriske justeringsfunksjonene for dette produktet. For å forhindre, redusere eller eliminere slik elektromagnetisk forstyrrelse:

- Bruk bare originalkabler, -tilbehør og -reservedeler for at elektromagnetisk utslipp ikke skal økes eller redusere dette produktets elektromagnetiske immunitet.
- Ikke bruk bærbart, radiofrekvent (RF) kommunikasjonsutstyr nærmere enn 30 cm fra noen del av dette produktet (inkludert kabler).
- Ikke bruk dette produktet i nærheten av høyfrekvent kirurgisk utstyr og RF-skjermet rom i et system for magnetisk resonansavbildning der det er høy intensitet i elektromagnetiske forstyrrelser.
- Hvis det skjer forstyrrelser, øk avstanden mellom dette produktet og annet utstyr eller slå det av.
- Se den detaljerte informasjonen og følg veiledningen i kapittel 10 *Elektromagnetisk kompatibilitet, side 115*

2.2 Merking og symboler på produktet

2.2.1 Produktetikett



Soft Tilt for Invacare® SB 755

Produktetiketten sitter på hovedmodulen til Soft Tilt og inneholder den viktigste informasjonen om produktet, inkludert tekniske data.

Symboler

	Serienummer
	Referansenummer
	Produsentens adresse
	Produksjonsdato
	Maks. brukervekt
	Maks. tillatt arbeidsbelastning
	Isolasjonsklasse 2
	Type B-kontakttdel
	WEEE-samsvar
	Dette produktet er i samsvar med EU-direktivet 93/42/EØF om medisinsk utstyr. Lanseringsdatoen for dette produktet er oppgitt i CE-samsvarserklæringen.

Forkortelser for tekniske data:

- lin = inngangsstrøm
- Uin = inngangsspenning
- Int. = intermittens
- AC = vekselstrøm
- Max = maksimum
- min = minutter

For mer informasjon om tekniske data, se 9 *Tekniske Data, side 113*

2.2.2 Andre etiketter og symboler

	Se bruksanvisningen
--	---------------------

3 Montering

3.1 Generell sikkerhetsinformasjon

Sjekk emballasjen i det du mottar produktet. Hvis emballasjen viser tegn på skade ved levering, kontakter du firmaet som er ansvarlig for forsendelsen.



ADVARSEL!

Skaderisiko for personer eller materiell

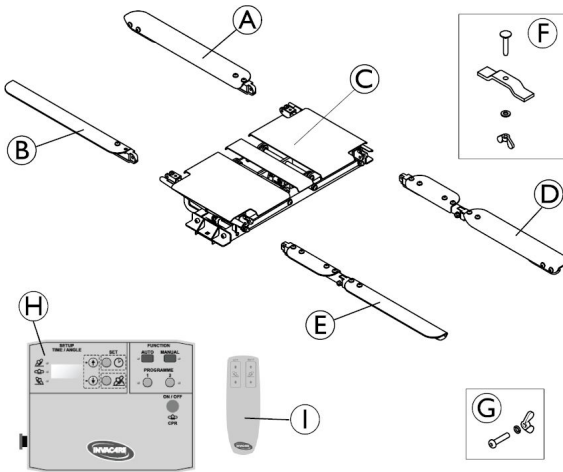
Monteringen og installasjonen må utføres av autorisert eller opplært personell.

- Følg anvisningene nøye. Hvis du har spørsmål om monteringen, ta kontakt med din lokale forhandler eller representant for Invacare.
- Ikke bruk produktet hvis det viser tegn til skade. Ta kontakt med den lokale forhandleren eller representant for Invacare.
- Produktets elektriske utstyr må ikke demonteres eller kombineres med annet elektrisk utstyr.
- Etter hver montering må du kontrollere at alle beslag og fester er godt festet, og at alle delene fungerer slik de skal.

3.2 Levert produkt

Soft Tilt leveres delvis montert i en pappeske.

Hoveddeler



- Ⓐ Armen på venstre vinge ved hodeenden
- Ⓑ Armen på høyre vinge ved hodeenden
- Ⓒ Hovedmodul (forhåndsmontert enhet)
- Ⓓ Armen på venstre vinge ved fotenden
- Ⓔ Armen på høyre vinge ved fotenden
- Ⓕ 2 sett: Festeplate, låsebolt, underlagsskive og vingemutter
- Ⓖ 4 sett: Unbrakonøkkel, underlagsskive og vingemutter
- Ⓗ Kontrollboks
- Ⓘ Håndkontroll

Tekstiltrekk (vises ikke på bildet)

3.3 Montere Soft Tilt

Montere hovedmodulen



FORSIKTIG!

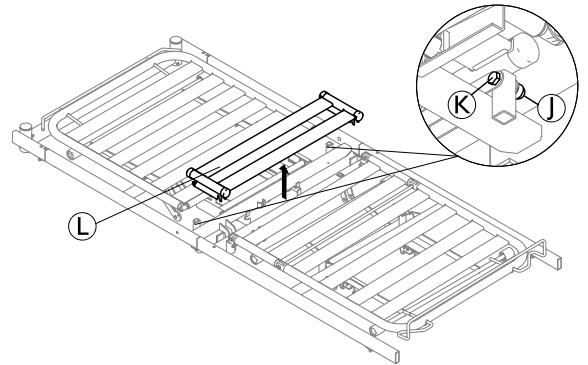
Risiko for skade på utstyr eller personer

Dersom det holdes i feil deler av hovedmodulen når den løftes, kan det forårsake skade på produktet eller personer.

- Man må bare holde i vingenes dekselplater eller festebrakettene på understellet når man skal håndtere hovedmodulen.
- Ikke hold i den midtre dekselplaten.
- Ikke hold i klemvernstengene under vingene på venstre og høyre side.

1.

a.

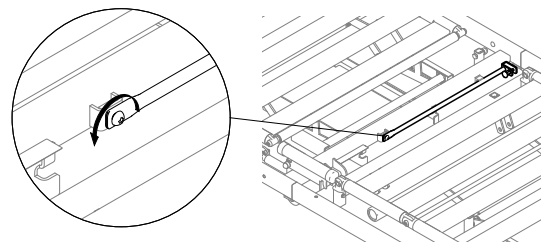


På hver side av sengen, ta ut mutteren Ⓙ og boltene Ⓚ ved hjelp av to 13 mm-nøkler for å fjerne ribbeenheten Ⓛ fra sengen.



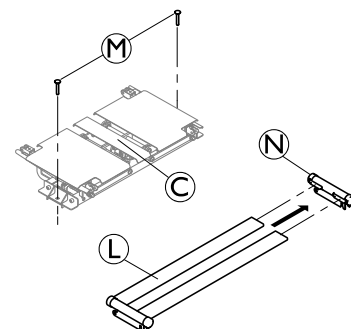
På senger utstyrt med treribber kreves det to reserveribber av aluminium for å bytte ut treribbene på ribbeenheten Ⓛ.

b. Tilleggstrinn som bare er nødvendige for delelige senger (SB 755D)



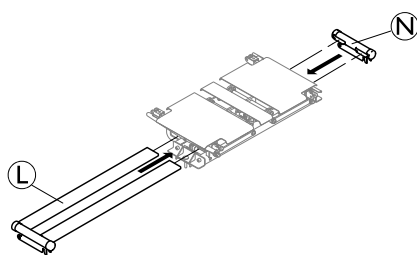
Skrut ut avstandspinnen, som sitter ved tverr-ribben på liggeflatens hodedel, og oppbevar den tilgjengelig, slik at den kan settes på plass igjen når Soft Tilt fjernes fra sengen igjen.

2.



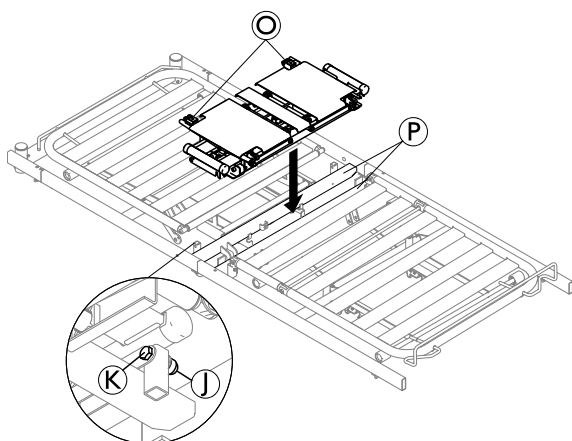
Sett de to boltene Ⓜ inn i hullene på festebrakettene på hovedmodulen Ⓒ og ta ut en av brakettene Ⓝ fra ribbeenheten Ⓛ.

3.



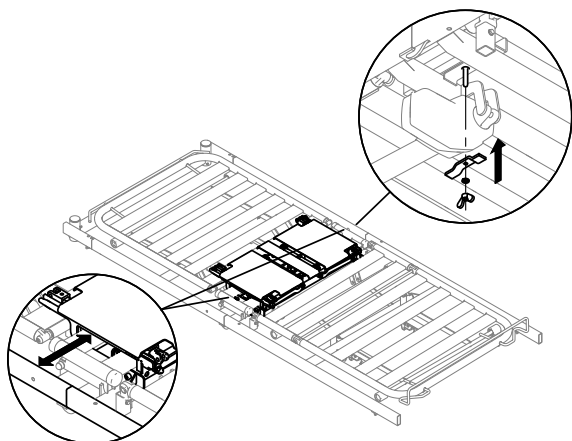
Sett inn de løse endene av de to ribbene under dekselplatene til hovedmodulen, og sett dem tilbake inn i braketten (N) på den andre siden.

4.



Sett hovedmodulen med ribbeenheten på tverrstengene (P), med de lange koblingsarmene (O) vendt mot hodeenden av sengen. Sjekk at kablene til motorene trekkes mellom tverrstengene (P), og at ingen kabler kommer i klemme. Fest ribbeenheten med boltene (K) og mutrene (J) som har blitt tatt ut i trinn 1.

5.



Sjekk at hele modulen er plassert midt på madrassens liggeflateramme, og at avstanden til siderørene er den samme på begge sider. Fest hovedmodulen til tverrstengene på madrassens liggeflateramme med festeplateskiven, underlagsskiven og mutteren, fra undersiden på begge sider av sengen.

Kabling

Kontrollboksen og håndkontrollen skal henges opp ved fotbrettet.



Kontakter på kontrollboksen

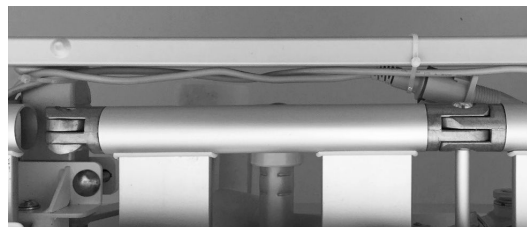
- (C) Strømforsyning
- (R) Håndkontroll og klemvernbytere via splittkabel
- (S) Høyre motor
- (T) Venstre motor

1. Koble kablene til høyre og venstre motor til de to skjøteledningene (S) og (T) fra kontrollboksen.
2. Koble håndkontrollen til den korte enden av splittkabelen (R), og koble strømkabelen (C) til nettet.
3. Deaktiver nødstop, slå på systemet, aktiver manuell modus, og bruk håndkontrollen for å sjekke at venstre og høyre motor er riktig koblet til kontrollboksen (se kapittelet *Bruk* for detaljerte instruksjoner).
- 4.



Hev begge vingene på hovedmodulen, og fjern tapen som fester kabelen til klemvernbyterne på hovedmodulen. Trekk bryterkablene på den ene siden av sengen, og trekk den frie enden under det første kryssrøret og over det andre kryssrøret mot fotenden av sengen. Koble kabelen til den lengste enden av splittkabelen (R). Fest hver av kablene fra klemvernbyterne med en plaststrips ved kryssrøret og Soft Tilt-rammen, mot hodeenden av sengen.

5.

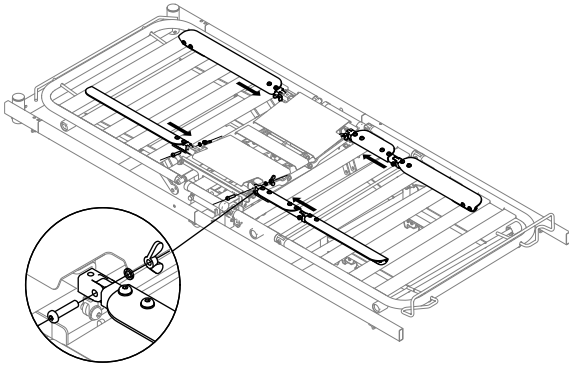


Sjekk at alle kabler trekkes under sengeribbene, og fest én motorkabel sammen med bryterkabelen på siden av sengen og den andre motorkabelen på den andre siden av sengen, med tre plaststrips på hver side. Den første stripsen plasseres på tverr-ribben og de to andre på siderøret mot fotenden av sengen.

- i Beveg sengen helt opp og helt ned for å sjekke at ingen av kablene kommer i klem.

Montere armer og trekk

1. Sjekk at begge vinger av hovedmodulen er lett hevet, slik at koblingene for armene er tilgjengelige.
- 2.



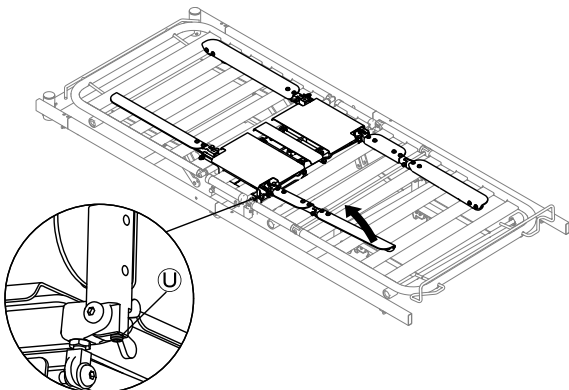
Koble de fire armene til hovedmodulen, og sjekk at armene med hengselet er plassert over knebøyhengselet på sengen, og at de buede sidene på alle armer peker utover. Fest de fire armene med unbrakoboltene, og stram til vingemutrene som vender innover. Sjekk at sikringskivene er plassert under vingemutrene.

3.



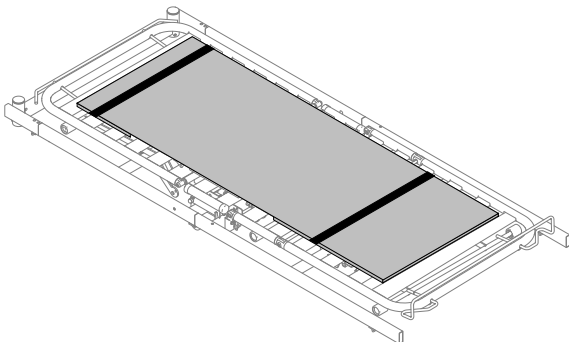
VIKTIG!

Ved montering må du sjekke at de fire armene står i horisontal stilling og om nødvendig justere dem.



Du justerer armenes stilling ved å brette dem opp i leddene til hovedmodulen og justere skruen U helt til armene står i horisontal stilling når de legges ned igjen.

4.



Monter trekket ved å skyve lommene over armene i hodeenden og fotenden. Hodeenden av trekket er merket med «TOP».



VIKTIG!

Soft Tilt må ikke brukes uten trekk.

5. Plasser madrassen på Soft Tilt, og fest den.
 - a. Løsne borrelåsfestet på begge stropper på siden av trekket, og legg stroppene til side.
 - b. Plasser madrassen på sengen oppå Soft Tilt (9 *Tekniske Data, side 113* gir informasjon om hvilke madrasser som kan brukes sammen med Soft Tilt).
 - c. Før stroppene over madrassen og fest borrelåsen på nytt for å feste madrassen godt til Soft Tilt.

4 Bruk

4.1 Generell sikkerhetsinformasjon



ADVARSEL!

Skaderisiko for personer og materiell.

- Sengen må plasseres slik at høydejusteringen ikke hindres av for eksempel personløftere eller møbler.
- Sørg for at ingen kroppsdelar kommer i klem mellom faste deler (for eksempel sengegrunder, sengegavler osv.) og bevegelige deler.
- Barn skal ikke bruke håndkontrollen.
- Håndkontrollen må bare brukes av omsorgspersonen.



VIKTIG

- Hvis det oppstår strømbrydd, sikrer batteriet muligheten for å nullstille Soft Tilt med «CPR»-funksjonen.
- Sjekk at batteriet er fullt oppladet før du bruker Soft Tilt.
 - se Batteri i avsnittet Vedlikehold for mer informasjon.

4.2 Oversikt

Soft Tilt kan betjenes enten i manuell eller automatisk modus.

Sengens normale funksjoner kan aktiveres i begge moduser.



Det anbefales at hodedelen er noe hevet ved bruk av Soft Tilt, for å gi sluttbrukeren en behageligere stilling.

Manuell modus

Manuell modus er designet til å støtte helsepersonell i å snu sluttbrukeren fra side til side i sengen.

Vingene kan heves og senkes med håndkontrollen (se avsnitt *Manuell Betjening*).

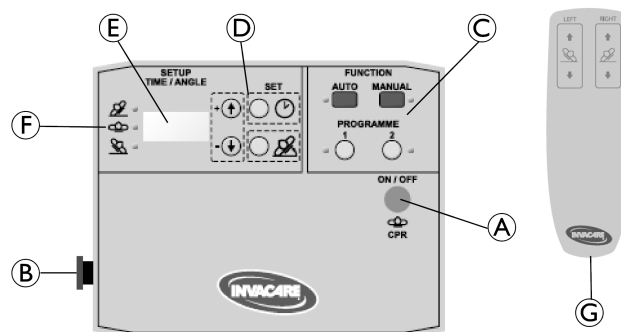
Automatisk modus

Automatisk modus er designet for å gi sluttbrukere sluttreduksjon.

I AUTO-programmet flyttes vingene automatisk etter forhåndsdefinerte parametere for klokkeslett og vinkel (se avsnittet *Autom. programmeringssekvens*).

I Program 1 og 2 flyttes vingene automatisk etter forhåndsdefinerte parametere for klokkeslett og vinkel (se kapitlet *Programmering*).

4.3 Kontrollboks og håndkontroll



- (A) på/av- og CPR (hjertesviktfunksjon)-knappen
- (B) Nødstopknappen
- (C) Funksjonsknapper for å velge driftsmodus.
- (D) Oppsettknapper for å stille inn parametere for program 1 og 2
- (E) Display
- (F) Pos.-ind.
- (G) Håndkontroll

4.4 På/Av og CPR/nullstillingsfunksjon

Slå på systemet

1. Trykk og hold (A)-knappen inne i tre sekunder for å slå på systemet.

CPR/nullstillingsfunksjon

CPR (hjerte- og lungegjenoppliving) /nullstillingsfunksjonen overstyrer alle kommandoer og flytter begge vinger i horisontal posisjon.

1. For å aktivere CPR/nullstillingsfunksjonen, trykk på (A)-knappen (uten å holde inne).

Slå av systemet

1. Trykk på (A)-knappen for å nullstille systemet og hvis aktuelt, vent til begge vinger har flyttet i horisontal posisjon.
2. Trykk og hold (A)-knappen inne i tre sekunder for å slå av systemet.

Visning

Systemstatus	Visning	OBS
AV		Tomt display
PÅ	program- vareversjon (3-sifret tall)	Vises i 2 sek. etter at systemet er slått på. (byter til passiv modus hvis ingen funksjon er valgt).
PÅ	— — —	Passiv modus (ingen funksjon er valgt)
Tilbakestille	AV	Vises etter at funksjonen CPR/nullstilling er aktivert. Deretter går systemet over til passiv modus.

4.5 Nødstop

VIKTIG
Når nødstoppen er aktivert, kan CPR-funksjonen fortsatt aktiveres ved å trykke på **(A)**-knappen for å senke vingene til horisontal posisjon om nødvendig.

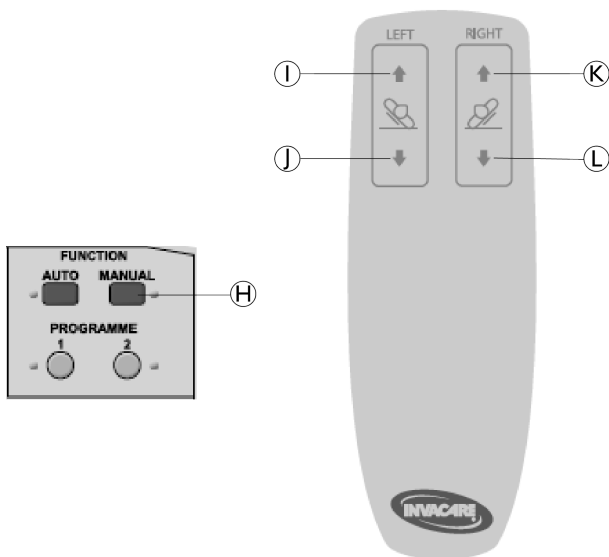
Når nødstoppen aktiveres, avbrytes alle kontroller og bevegelser umiddelbart (vinger holder seg i nåværende posisjon).

1. Trykk på **(B)**-knappen for å aktivere.
2. Roter **(B)**-knappen med klokken for å deaktivere.
3. Trykk på **(A)**-knappen for å nullstille systemet.

4.6 Manuell betjening

ADVARSEL!
Risiko for klemming og skade
Hvis begge vinger heves samtidig til vinkler på mer enn 12 °, er det risiko for at pasienten kommer i klem.
– Dette alternativet må brukes bare av opplært personell.

i Første gang MANUELL aktiveres etter at systemet er slått på, vil det nullstille seg selv før funksjonen kan brukes.



1. Trykk og hold **(H)**-knappen i 3 sek. for å aktivere manuell betjening.
2. Trykk på knappene på håndkontrollen etter ønske.
 - Trykk på **(1)** for å heve venstre vinge
 - Trykk på **(J)** for å senke venstre vinge
 - Trykk på **(K)** for å heve høyre vinge
 - Trykk på **(L)** for å senke høyre vinge

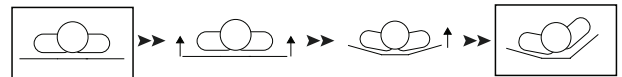
i -Venstre og høyre knapper kan aktiveres samtidig for å flytte begge vinger samtidig.
-Vingene kan flyttes i et område fra 0 ° til 60 °.
3. For å deaktivere manuell betjening, trykk på knappen **(H)** eller **PÅ/AV-** og **CPR-**knappen **(A)**.

Statusindikatorer

Visning	LED
0 = ingen aktivitet	MANUELL-LED aktiv
U = vingen flyttes opp	
d = vingen flyttes ned	

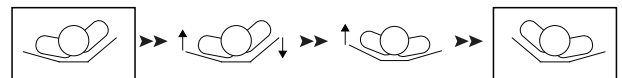
4.6.1 Anbefalte prosedyrer

Overfør fra flat posisjon til siden:



1. Hev begge vinger samtidig for å gjøre det behageligere for sluttbrukeren.
2. Når begge vinger er lett hevet, fortsett å heve bare den primære vingen og la den sekundære vingen være.
3. Når den primære vingen har nådd ønsket høyde, kan du (men det er ikke påkrevd) senke den sekundære vingen til horisontal.

Snu fra den ene siden til den andre:



1. Hev samtidig den nedre siden og senk den høyere siden
2. Slutt å senke den sekundære vingen når den er lett hevet og fortsett å heve bare den primære vingen.
3. Når den primære vingen har nådd ønsket høyde, kan du (men det er ikke påkrevd) senke den sekundære vingen til horisontal.

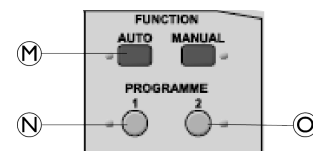
4.7 Automatisk betjening

AUTO-programmet er forhåndsdefinert og kan ikke endres.

Program 1 og 2 kan defineres individuelt av helsepersonell (se kapittelet *Programming*). Programmene er tomme ved levering og må defineres før bruk.

i -Hvis ett av programmene er aktivert, nullstiller systemet til FLAT posisjon før det valgte programmet startes.

-Hvis et nytt program velges når et annet program er aktivt, nullstiller systemet til FLAT posisjon før det nye programmet startes.



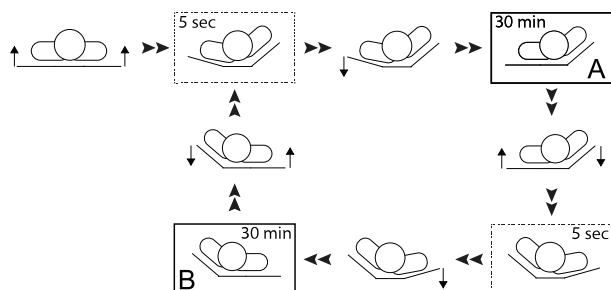
1. Trykk på programknapper etter behov.
 - Trykk og hold inne **(M)** i 3 sek. for å starte AUTO-programmet.
 - Trykk og hold inne **(N)** i 3 sek. for å starte Program 1.
 - Trykk og hold inne **(O)** i 3 sek. for å starte Program 2.
2. For å avslutte et program som er i gang, trykk på **PÅ/AV-** og **CPR-**knappen **(A)** eller trykk på knappen **(M)** **(N)** eller **(O)**, avhengig av hvilket program som er aktivt for øyeblikket.

i Håndkontrollen virker ikke når et program er aktivt.

Statusindikatorer

Aktivt program	Visning	LED
AUTO	AU	AUTO-LED aktiv
Program 1	P1	P1-LED aktiv
Program 2	P2	P2-LED aktiv

4.7.1 Automatisk programsekvens



- Med utgangspunkt i flat posisjon, begynner begge vinger straks å heves samtidig.
- Den venstre vingen stopper ved 12 ° og den høyre vingen stopper ved 30 °.

- 5 sekunder etter at høyre vinge har nådd 30 °, senkes venstre vinge til 0 °.
- Denne posisjonen A opprettholdes i 30 minutter.
- Samtidig begynner venstre vinge å heves og høyre vinge begynner å senkes.
- Den høyre vingen stopper ved 12 ° og den venstre vingen fortsetter å stige til 30 °.
- 5 sekunder etter at venstre vinge har nådd 30 °, senkes høyre vinge til 0 °.
- Denne B-posisjonen opprettholdes i 30 minutter.


Syklusen slutter å skifte mellom posisjon A og B, til programmet avsluttes.

4.8 Lade batteriet

Batteriet lades når systemet er koblet til ladestasjonen og slått på.

Ladingen av batteriet indikeres med en prikk nederst til høyre på skjermen.

Batteriet vil bruke omtrent 12 timer på å lade seg opp.

 Batteriet lades IKKE når feilen E03 eller E04 oppstår.

5 Programmering

5.1 Individuelt definerte programmer

Program 1 og 2 kan defineres individuelt av helsepersonell ved å stille inn vinklene på vingene og tidspunktene for å holde de forskjellige posisjonene.

Definere vinkler

Vinklene til venstre og høyre vinge i første sideposisjon kan defineres individuelt. Den andre (motsatte) sideposisjonen defineres automatisk som et speilbilde av første sideposisjon.

- Hvis vinkelen for én vinge er stilt til mellom 13° – 30° , defineres denne vingen som «primær» vinge.
- Motsatt vinge vil da bli definert som «sekundær vinge» og begrenser de valgbare vinkelverdiene til 0° – 12° .
- Den «primære vingen» defineres første sideposisjon i programsekvensen.

To alternativer for vingen som sluttbrukeren ligger på (f.eks. venstre vinge hvis sluttbrukeren ligger på venstre side):

- Hvis vinkelen til den sekundære vingen er stilt til 0° , heves den med 12° under svinging og flyttes til en horisontal posisjon 5 sek. etter at den primære vingen har nådd den innstilte vinkelen, så sluttbrukeren hviler på en flat, sekundær vinge.
- Hvis vinkelverdien for den sekundære vingen er stilt til mellom 1° – 12° , holdes den oppe på den valgte vinkelen i sideposisjon og sluttbrukeren hviler på en hevet sekundær vinge.



FORSIKTIG!

Risiko for å falle

Hvis den sekundære vingen holdes oppe når sluttbrukeren hviler i sideleie, reduseres avstanden til toppen av sengegrinden.

– Bruk bare sengegrinden oppgitt for denne situasjonen i *9 Tekniske Data, side 113*

Definere klokken:

Tidspunktene for de to sideposisjonene og den flate posisjonen kan defineres individuelt mellom 000 og 180 minutter.



Programsekvensen starter alltid i flat posisjon.

Hvis klokkeslett for én sideposisjon er stilt til 000 minutter:

- Programmet begynner å gå over fra flat posisjon til første posisjon etter den spesifiserte tidsperioden.
- programmet går bare mellom den flate og den andre sideposisjonen (f.eks. flat-høyre-flat-høyre-...)

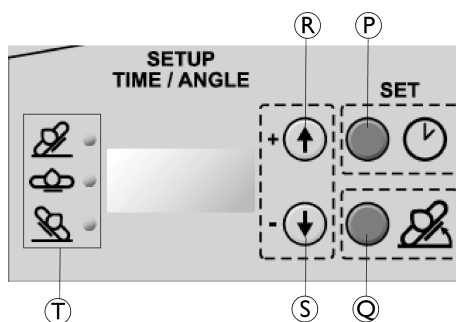
Hvis klokkeslettet for den flate sideposisjonen er stilt til 000 minutter:

- starter programmet umiddelbart etter aktivering med overgangen til den første sideposisjonen,
- programmet går bare mellom 2-sideposisjonen (f.eks. venstre-høyre-venstre-høyre-...)

Hvis klokkeslettet for den flate posisjonen er stilt til mellom 3-180 minutter:

- Programmet begynner å gå over fra flat posisjon til første posisjon etter den spesifiserte tidsperioden.
- går programmet alltid til en flat posisjon mellom de to sideposisjonene (f.eks. flat-høyre-flat-venstre-flat-høyre-...)


















5.2 Hvordan programmere de individuelle, automatiserte programmene



- P Still inn klokkeslett / start programmeringsmodus-knapp
- Q Angi vinkel-knapp
- R Justeringsknapp Pluss (øker verdiene for klokkeslett og vinkel)
- S Justeringsknapp Minus (reduserer verdiene for klokkeslett og vinkel)
- T Posisjonsindikatorer (LED-lys)
 - Høyre (topp) = høyre vinge eller posisjon
 - Flat (midten) = begge vinger i horisontal posisjon
 - Venstre (bunn) = venstre vinge eller posisjon

Først programmeres hvor lenge vingene er hevet eller i flat posisjon for Program 1 eller Program 2, deretter vinklene.

Pkt.	Funksjon	Visning	LED	OBS	
1	Trykk og hold i 3 sek.		VLG	ingen	Start programmeringsmodus
2	Trykk		P1	P1	Velg programmet som skal stilles
	eller		P2	P2	
3	Trykk		010	P1 eller P2 og Riktig 	Tidsverdien vises på displayet
4	Trykk	 	001 020	P1 eller P2 og Riktig 	Juster tiden mellom 000 og 180 minutter (0, 3, 10-180 i intervaller på +/- 10 min.)
5	Trykk		010	P1 eller P2 og Flat 	Tidsverdien vises på displayet
6	Trykk	 	001 020	P1 eller P2 og Flat 	Juster tiden mellom 000 og 180 minutter (0, 3, 10-180 i intervaller på +/- 10 min.)

Pkt.	Funksjon	Visning	LED	OBS
7	Trykk 	010	P1 eller P2 og Venstre 	Tidsverdien vises på displayet
8	Trykk  	001 020	P1 eller P2 og Venstre 	Juster tiden mellom 000 og 180 minutter (0, 3, 10-180 i intervaller på +/- 10 min.)
9	Trykk 	A	Ingen	enkel *PIP* = Nå er klokkeslettet stilt.
10	Trykk 	015	P1 eller P2 og Riktig 	Vinkelverdien vises på displayet
11	Trykk  	014 016	P1 eller P2 og Riktig 	Juster vinkelen mellom 00 og 30 grader (intervall på +/- 1 grad)
12	Trykk 	010	P1 eller P2 og Venstre 	Vinkelverdien vises på displayet
13	Trykk  	009 011	P1 eller P2 og Venstre 	Juster vinkelen mellom 00 og 30 grader (intervall på +/- 1 grad)
14	Trykk 	—	Ingen	dobbel *PIP* =Vinkelen er nå stilt og hele programmet er lagret.



- Programmeringsmodusen lukkes automatisk uten lagring hvis ingen knapper trykkes i 2 min.

5.3 Progameksemler for automatisert trykkavlastning


- Sluttbruker snur fra høyre side til flat til venstre side og ligger alltid på en flat vinge.
 - Vinkel primær vinge = 13 °-30 °
 - Vinkel sekundær vinge = 0 °
 - Tid for høyre, flat og venstre posisjon > 0 min.

- Sluttbruker snur fra høyre side til flat til venstre side og ligger alltid på en lett hevet vinge.
 - Vinkel primær vinge = 13 °-30 °
 - Vinkel sekundær vinge = 1 ° - 12 °
 - Tid for høyre, flat og venstre posisjon > 0 min.
 Dette programmet krever «høye» sengegrinder

- Sluttbruker snur fra høyre side til venstre side og ligger aldri i flat posisjon og ligger alltid på en flat vinge.
 - Vinkel primær vinge = 13 °-30 °
 - Vinkel sekundær vinge = 0 °
 - Tid i flat posisjon = 0 min.
 - Tid venstre og høyre posisjon > 0 min.
 - se avsnittet *Autom. programmeringssekvens* som et eksempel.
- Sluttbruker snur fra høyre side til venstre side og ligger aldri i flat posisjon og ligger alltid på en lett hevet vinge (vuggefunksjon).
 - Vinkel primær vinge = 13 °-30 °
 - Vinkel sekundær vinge = 1 ° - 12 °
 - Tid i flat posisjon = 0 min.
 - Tid venstre og høyre posisjon > 0 min.

Dette programmet krever «høye» sengegrinder
- Sluttbruker snur fra den ene siden til flat og tilbake til samme side og ligger alltid på en flat vinge.
 - Vinkel primær vinge = 13 °-30 °
 - Vinkel sekundær vinge = 0 °
 - Tid i flat posisjon > 0 min.
 - Tid i venstre eller høyre sideposisjon = 0 min.
- Sluttbruker snur fra den ene siden til flat og tilbake til samme side og ligger alltid på en lett hevet vinge.
 - Vinkel primær vinge = 13 °-30 °
 - Vinkel sekundær vinge = 1 ° - 12 °
 - Tid i flat posisjon > 0 min.
 - Tid i venstre eller høyre sideposisjon = 0 min.

Dette programmet krever «høye» sengegrinder
- Begge vinger hevet til like vinkler uten omplassering (klem bakover).
 - Vinkel primær og sekundær vinge = 10 °-12 °
 - Tid i flat posisjon = 0 min.
 - Tid i venstre og høyre posisjon > 0 min. (innstilte verdier ikke relevante, se under)

 Ingen automatisk reposisjonering vil skje når begge vinger er stilt til samme vinkel. Derfor har ikke tidene stilt inn for venstre eller høyre sideposisjon noen effekt.

6 Vedlikehold

6.1 Generell vedlikeholdsinformasjon

- ! **VIKTIG!**
Service og vedlikehold på Soft Tilt må utføres samtidig som sengen.
– For detaljert informasjon om vedlikeholdsprosedyrer og sjekklister, se *Servicehåndboken* for sengen som brukes.

6.2 Rengjøring og desinfisering

- ! **VIKTIG!**
Feil væsker eller metoder kan skade eller ødelegge produktet.
– Bruk aldri etsende væsker (baser, syrer, cellulosefjerner, aceton osv.)
– Bruk aldri et løsemiddel som forandrer plastens struktur eller får etikettene til å løsne.

Elektriske deler

- ! **VIKTIG!**
IP-klassifiseringen avgjør om elektriske komponenter kan vaskes.
Elektronikk klassifisert som IPx5 og/eller IPx6 kan IKKE vaskes med strålebasert rengjøringsutstyr eller i en vasketunnel.
– IP-klassifiseringen er angitt på etikettene med serienummer på elektriske komponenter.
– Vær oppmerksom på at ulike komponenter kan ha ulik klassifisering.

Tekstiler

Du finner detaljerte vaskeanvisninger på etiketten som er festet på tekstiltrekket

Generell rengjøringsmetode

Metode: Tørk av med en våt klut eller myk børste.


Maks. temp: 40 °C

Løsemiddel/kjemikalier: Mildt husholdningsrengjøringsmiddel eller såpe og vann.

- ! **VIKTIG**
Detaljert informasjon om rengjøringsmetoder finner du i instruksjonene i avsnittet *Komponenter som ikke kan vaskes i Bruksanvisning for bruker av seng*

6.3 Batteri

Vi anbefaler at du sjekker batteriet hver 6. måned:

1. Løft begge vinger og trekk kut strømkabelen.
2. Trykk PÅ/AV-knappen og CPR-knappen  og sjekk at begge vinger flytter inn i horisontal posisjon.


Vi anbefaler at batteriet byttes ut etter 4 år - Ring forhandler/tekniker for å skifte batteri.

Oppbevaring

- ! **VIKTIG**
Før Soft Tilt settes til oppbevaring, sjekk at systemet er slått helt av og at nødstopp-knappen trykkes for å forhindre at batteriet lades ut.

7 Etter bruk

7.1 Avfallshåndtering

 Avfallshåndtering/gjenvinning må skje i samsvar med gjeldende nasjonale lover og forskrifter om avfallshåndtering.

Invacare jobber kontinuerlig mot å sikre at selskapets innvirkning på miljøet, lokalt og globalt, reduseres til et minimum.

Vi overholder gjeldende miljølovgivning (f.eks. WEEE- og RoHS-direktivene).

Vi bruker kun materialer og komponenter som er i samsvar med REACH-forskriftene.

- Alle elektriske deler må sortes ut og avhendes som elektriske komponenter.
- Alle deler av plast må sendes til forbrenning eller gjenvinning.
- Deler av stål må avhendes som avfallsmetaller.

**VIKTIG!**

Reservebatteri

– Gamle akkumulatorer må returneres til Invacare eller resirkuleres som bilbatterier.

8 Feilsøking

8.1 Feilsøking av det elektriske systemet

Feil	Display (blinker ved intervaller på 0,5 sek mellom to koder)		Lydsignal	LED (blinker gult)	Kommentar	Løsning
Motorstopp VENSTRE	E01	E0	10 pipelyder med 1 sek PÅ og 1 sek AV Når du prøver å aktivere motoren på nytt: 1 pipelyd i 1 sek	Venstre	bare i Automatisk modus (ingen displayvisning, lydsignal eller blinkende LED i manuell modus)	Sjekk kablene til og fra motoren for følgende forhold: – Kabel ikke skadet. – Kabel koblet til motoren på riktig måte. – Kabelkontakt riktig installert og intakt.
Motorstopp HØYRE	E02	E0		Riktig		
Batterimodus: Strømbrudd ELLER nødstop aktivert	E03	E0	4 pipelyder med 1 sek PÅ og 1 sek AV		– 1. lydsignal når strømforsyningen frakobles ELLER nødstoppen aktiveres. Systemet går over til batterimodus og vingene slutter å bevege seg og blir værende i gjeldende posisjon. – 2. lydsignal etter 20 min. – 3. lydsignal etter 40 min. – Etter 60 min går systemet over til lavt batterinivå-feil (E04).	Koble til strømforsyningen OG / ELLER deaktivert nødstoppen for å lade og sjekke batteriet (se kapittelet <i>Vedlikehold</i> for mer informasjon).
Lavt batterinivå	E04	E0	4 pipelyder med 1 sek PÅ og 1 sek AV		– 1. lydsignal når det registreres lavt batterinivå under batterimodus. – Det avgis ytterligere lydsignaler hvert 20. minutt helt til systemet slås av for å spare nok batteristrøm én HLR-senking.	
Klemming registrert på VENSTRE motor	E05	E0	10 pipelyder med 1 sek PÅ og 1 sek AV	Automatisk, P1 eller P2 (avhengig av programmet som er avbrutt).	Vingen på siden hvor det er registrert klemming, heves til 30 °, og motsatt vinge beveger seg i horisontal stilling.	Sjekk om noen gjenstander forstyrrer vingen ved bevegelse nedover, og fjern eventuelt disse. Se FORSIKTIG-meldingen nedenfor før du nullstiller slike feil
Klemming registrert på HØYRE motor	E06	E0				
Klemming registrert på VENSTRE og HØYRE motor	E07	E0				
Systemet kan ikke slås på					Systemet kan ikke slås på selv om det er koblet til strømforsyningen.	Sjekk om nødstoppen er aktivert, og deaktivert den om nødvendig.

**FORSIKTIG!****Risiko for skade på personer eller utstyr**

Ved feil som skyldes registrering av klemming, overstyrer HLR-/nullstillingsfunksjonen klemmingsregistreringen og senker vingene.

- Pass på at vingene ikke hindres av gjenstander under senking, før du nullstiller en feil knyttet til klemmingsregistrering (E05, E06 og E07)



Trykk på PÅ/AV- og HLR-knappen for å nullstille en FEIL og prøve igjen.

Ta kontakt med forhandleren eller representanten for Invacare hvis ikke dette løser problemet.

8.2 Programmeringsfeil

Feil visning for feiloppsett av verdier for Program 1 eller 2



Feil	Visning	Lydsignal	Kommentar
Program 1 eller 2	E40 i 4 sek.	2 pipelyder, 5 sek. PÅ og 1 sek. AV	Skjer ved aktivering av Program 1 eller 2 med feil tidsverdier oppgitt. Følgende kombinasjon av tidsverdier for venstre, høyre og flat posisjon defineres som feil oppsett: - Alle tre tidsverdier = 0 min - Bare én tidsverdi > 0 min / to tidsverdier = 0 min

9 Tekniske Data

9.1 Egenskaper

Automatisk betjening	ja
Maks.-vinkel i manuell modus	60°
Maks.-vinkel i automatisk modus	primær vinge = 30 ° sekundær vinge = 12 °
Vinkelverdier i automatisk modus	0 °–30 ° (+/- 1 ° intervall)
Tidverdier i automatisk modus	0, 3, 10–180 min (+/- 10 min-intervaller)

9.2 Vekt

	Maks. brukervekt (forutsatt at madrassen ikke veier mer enn 20 kg)	165 kg
	Maks. sikker arbeidslastvekt (inkludert madrass)	185 kg

Vekten av Soft Tilt-komponenter

Komplett (hovedmodul og 4 armer)	25 kg
Hodearm (1 del)	1,4 kg
Fotarm (1 del)	2,4 kg
Hovedmodul	14,5 kg
Kontrollboks	2,9 kg

9.3 Tillatt madrassstørrelse

Madrasshøyde og sengegrindkompatibilitet

! **VIKTIG**
Avhengig av om sluttbrukeren i sideposisjon ligger på en flat vinge (madrass horisontal) ELLER om vingen som sluttbrukeren ligger på er hevet til 12 °, kreves forskjellige kombinasjoner av madrasser og sengegrinder (se riktig tabell under).

– Sluttbruker ligger på en flat vinge

Tillatte madrasshøyder når sluttbrukeren ligger på en flat vinge (sekundær vinge = 0 °).

Sengegrind	Madrasshøyde
Britt V / Linje / Linje forlenget	12–14 cm
Britt V / Linje / Linje forlenget med sengegrindhøydeforlenger montert*	15–29 cm
Scala Medium 2	12–16 cm
Scala Decubi 2	17–25 cm

*Må demonteres når sengegrinden tas ned og sluttbrukeren er på vei ut av sengen.

– Sluttbruker ligger på en hevet vinge


Tillatte madrasshøyder når sluttbrukeren ligger på en vinge hevet opptil 12 ° (sekundær vinge = 1-12 °).

Sengegrind	Madrasshøyde
Britt V / Linje / Linje forlenget med sengegrindhøydeforlenger montert*	12–22 cm
Scala Decubi 2	17–18 cm

*Må demonteres når sengegrinden tas ned og sluttbrukeren er på vei ut av sengen.


Madrassbredde og -lengde, avhengig av sengebredde

Sengebredde	Tillatt madrassbredde	Min.-lengde (cm)
85 cm	83–85 cm	200 cm
90 cm	88–90 cm	200 cm



 En kastellert madrass anbefales.

9.4 Miljøbetingelser

	Oppbevaring og transport	Bruk
Temperatur	–10 °C til +50 °C	+5 °C til +40 °C
Relativ luftfuktighet	20 % til 75 %	
Atmosfærisk trykk	800 hPa til 1060 hPa	

 Vær oppmerksom på at en seng som har vært lagret ved lave temperaturer, må akklimatiseres til gjeldende driftsforhold før bruk.

9.5 Elektrisk system

Spenningsforsyning: Uin 230 spenning, vekselspenning, 50/60 Hz
Maksimal strømkilde: I inn maks. 1,5 A
Intermitterende (periodisk motordrift): Int = Maks. 10 %, 2 min PÅ / 18 min AV
Isolasjonsklasse: KLASSE II

Type B-kontakt del

Kontakt del i samsvar med de angitte kravene til beskyttelse mot elektrisk støt i henhold til IEC60601-1.
(En anvendt del er en del av det medisinske utstyret, utformet for å komme i fysisk kontakt med pasienten eller deler som sannsynligvis vil komme i kontakt med pasienten.)

Lydnivå: 58,5 dB (A)

Beskyttelsesgrad: IPx6* eller IPx5**

Hovedmodulene, aktuatorne og håndkontrollen er beskyttet i samsvar med IPx6. Kontrollboksen er beskyttet i samsvar med IPx5

* Beskyttelsesklassen IPX6 innebærer at det elektriske systemet er beskyttet mot vannsprut fra alle retninger (ikke høyt trykk).

** Beskyttelsesklassen IPX5 innebærer at det elektriske systemet er beskyttet mot vannsprut med lavt trykk fra alle retninger.

10 Elektromagnetisk kompatibilitet

10.1 Generell EMC-informasjon

Medisinsk elektrisk utstyr skal installeres og brukes i samsvar med EMC-opplysningene i denne bruksanvisningen.

Dette produktet er testet og overholder EMC-begrensninger som spesifisert i IEC/EN 60601-1-2 for klasse B-utstyr.

Bærbart og mobilt RF-kommunikasjonsutstyr kan påvirke funksjonen til dette produktet.

Andre apparater kan oppleve interferens selv ved de svake nivåene av elektromagnetisk stråling som er tillatt i samsvar med standarden nevnt ovenfor. For å påvise om utslippet fra dette produktet forårsaker forstyrrelsen, kjør og slå av produktet. Hvis forstyrrelsen ved den andre enheten opphører, er det dette produktet som forårsaker forstyrrelsen. I slike sjeldne tilfeller kan du redusere eller korrigere interferens på følgende måte:

- Snu eller flytt apparatene, eller øk avstanden mellom dem.

10.2 Elektromagnetisk utslipp

Veiledning og produsentens erklæring

Dette produktet er beregnet for bruk i et elektromagnetisk miljø som angitt nedenfor. Kunden eller brukeren av dette produktet må sikre at systemet brukes i en slik omgivelse.


Strålingstest	Samsvar	Elektromagnetisk miljø – rettledning
RF-stråling CISPR 11	Gruppe I	Dette produktet bruker RF-energi bare for sin interne funksjon. RF-utstrålingen er derfor svært lav, og det er usannsynlig at den vil forårsake interferens i elektronisk utstyr i nærheten.
RF-stråling CISPR 11	Klasse B	Dette produktet er egnet til bruk i alle sammenhenger, inkludert private husholdninger og de som er direkte knyttet til det offentlige lavspenningsnett som leverer til bygninger som brukes til husholdsbruk.
Harmonisk utstråling IEC 61000-3-2	Klasse A	
Spennings-svingninger/ flimmerstråling IEC 61000-3-3	Overholder	

10.3 Elektromagnetisk immunitet

Veiledning og produsentens erklæring

Dette produktet er beregnet for bruk i et elektromagnetisk miljø som angitt nedenfor. Kunden eller brukeren av dette produktet må sikre at systemet brukes i en slik omgivelse.

Immunitetstest	Test / samsvarsnivå	Elektromagnetisk miljø - veiledning
Elektrostatisk utladning (ESD) IEC 61000-4-2	± 8 kV-kontakt ± 2 kV, ± 4 kV, ± 8 kV, 15 kV luft	Gulvet bør være av tre, betong eller belagt med keramiske fliser. Hvis gulvet er dekket med syntetiske materialer, bør den relative luftfuktigheten være på minst 30 %.
Elektrostatisk rask transient / puls IEC 61000-4-4	± 2 kV for strømforsyningslinjer; 100 kHz repetisjonsfrekvens ± 1 kV for inngangs/utgangslinjer; 100 kHz repetisjonsfrekvens	Kvaliteten på nettstrømmen skal tilsvare et typisk bedrifts- eller sykehusmiljø.
Overspenning IEC 61000-4-5	± 1 kV linje til linje ± 2 kV linje til jord	Kvaliteten på nettstrømmen skal tilsvare et typisk bedrifts- eller sykehusmiljø.

Immunitetstest	Test / samsvarsnivå	Elektromagnetisk miljø - veiledning
Spenningsfall, korte avbrudd og spenningsvingninger i strømforsyningens inngangslinjer IEC 61000-4-11	< 0 % U_T i 0,5 syklus i trinn på 45 ° 0 % U_T i 1 syklus 70 % U_T i 25 / 30 sykluser < 5 % U_T i 250 / 300 sykluser	Kvaliteten på nettstrømmen skal tilsvare et typisk bedrifts- eller sykehusmiljø. Dersom brukeren av dette produktet krever uavbrutt drift ved strømbrudd, anbefales det at produktet får strøm fra en avbruddsfri strømkilde eller et batteri. U_T er vekselstrømspenningen før anvendelse av testnivået.
Strømfrekvensens (50/60 Hz) magnetfelt IEC 61000-4-8	30 A/m	Strømfrekvensens magnetfelt bør tilsvare det typiske nivået for en vanlig plassering i et bedrifts- eller sykehusmiljø.
Ledet RF IEC 61000-4-6	3 V 150 kHz til 80 Mhz 6 V i ISM- og amatørradiobånd	Det er ikke mulig å teoretisk forutsi feltstyrke fra faste sendere, f.eks. basestasjoner for radiotelefoner (mobile/trådløse) og landmobile radioer, amatørradio, AM- og FM-radiosendinger og TV-sendinger nøyaktig. For å bestemme det elektromagnetiske miljøet som skyldes faste RF-sendere, bør det vurderes å gjennomføre en elektromagnetisk undersøkelse på stedet. Hvis den målte feltstyrken på stedet der dette produktet skal brukes overskrider det anvendelige RF-samsvarsnivået ovenfor, må dette produktet observeres for å bekrefte at det fungerer som det skal. Dersom det observeres unormal ytelse, kan det være påkrevd med ytterligere tiltak, som å snu eller flytte på dette produktet. Det kan oppstå interferens i nærheten av utstyr som er merket med følgende symbol: 
Utstrålt RF IEC 61000-4-3	10 V/m 80 Mhz til 2,7 GHz 385 MHz - 5785 MHz testspesifikasjoner for immunitet for trådløst RF-kommunikasjonsutstyr, se tabell 9 i IEC 60601-1-2:2014	Bærbart og mobilt RF-kommunikasjonsutstyr skal ikke brukes nærmere enn 30 cm fra noen del av dette produktet (inkludert kabler).



Disse retningslinjene gjelder kanskje ikke i alle situasjoner. Elektromagnetisk spredning påvirkes av absorbering og refleksjon fra strukturer, objekter og mennesker.

Innehållsförteckning

Den här bruksanvisningen MÅSTE ges till brukaren. INNAN produkten används, läs bruksanvisningen och spara den för framtida referens.

1 Allmänt	118
1.1 Inledning	118
1.1.1 Definitioner	118
1.2 Symboler som används i det här dokumentet	118
1.3 Avsedd användning	118
1.4 Produktlivslängd	118
1.5 Information om garanti	118
1.6 Ansvarsbegränsning	118
2 Säkerhet	119
2.1 Allmän säkerhetsinformation	119
2.2 Etiketter och symboler på produkten	120
2.2.1 Produktetikett	120
2.2.2 Andra etiketter och symboler	120
3 Inställningar	121
3.1 Allmän säkerhetsinformation	121
3.2 Ingår i leveransen	121
3.3 Montering av Soft Tilt	121
4 Användande	124
4.1 Allmän säkerhetsinformation	124
4.2 Översikt	124
4.3 Elektronikbox och handkontroll	124
4.4 På/Av och CPR/Återställningsfunktion	124
4.5 Nödstopp	125
4.6 Manuell användning	125
4.6.1 Rekommenderade förfaranden	125
4.7 Automatisk användning	125
4.7.1 Sekvens för Auto-program	126
4.8 Ladda batteriet	126
5 Programmering	127
5.1 Individuellt definierade program	127
5.2 Hur de individuella automatiska programmen programmeras	128
5.3 Programexempel för automatiserad reduktion av tryckbelastning	129
6 Underhåll	131
6.1 Allmän information för underhåll	131
6.2 Rengöring och desinfektion	131
6.3 Batteri	131
7 Återanvändning	132
7.1 Kassering	132
8 Felsökning	133
8.1 Felsökning av det elektriska systemet	133
8.2 Programmeringsfel	134
9 Teknisk Data	135
9.1 Egenskaper	135
9.2 Vikter	135
9.3 Tillåtna madrasstorlekar	135
9.4 Omgivningsförhållanden	135
9.5 Elektriskt system	135
10 Elektromagnetisk kompatibilitet (EMC)	137
10.1 Allmän EMC-information	137
10.2 Elektromagnetisk strålning	137
10.3 Elektromagnetisk integritet	137

1 Allmänt

1.1 Inledning

Den här bruksanvisningen tillhör ett Invacare-tillbehör och innehåller viktig information om hantering och montering. Läs bruksanvisningen för produkten noggrant och följ säkerhetsanvisningarna så säkerställer du att produkten används på ett säkert sätt.

Bruksanvisningen finns på Invacares hemsida. Du kan också kontakta ett ombud för Invacare. Adresser finns i slutet av den här manualen.

Invacare förbehåller sig rätten att ändra produktspecifikationerna utan ytterligare meddelande.

Kontrollera att du har den senaste versionen av den här manualen innan du läser den. Du hittar den senaste versionen som PDF-fil på webbplatsen för Invacare.

Om du tycker att teckensnittsstorleken i den tryckta versionen av bruksanvisningen är svår att läsa kan du ladda ned PDF-versionen från webbplatsen. Du kan sedan förstora PDF-filen på skärmen till en teckensnittsstorlek som passar dig bättre.

1.1.1 Definitioner

Alla hänvisningar till vänster och höger baseras på en person som ligger på rygg i sängen, med huvudet vid huvudändan.

1.2 Symboler som används i det här dokumentet

Symboler och signalord som används i det här dokumentet och gäller för faror eller farliga förfaranden som kan leda till personskador eller skador på egendom. Symbolerna definieras nedan.



VARNING

Anger en riskfylld situation som kan leda till allvarlig skada eller dödsfall om den inte undviks.



FÖRSIKTIGT

Anger en riskfylld situation som kan leda till lättare skada om den inte undviks.



VIKTIGT

Anger en riskfylld situation som kan leda till produktskada om den inte undviks.



Tips och rekommendationer

Ger användbara råd, rekommendationer och information för en effektiv och problemfri användning.

1.3 Avsedd användning

Soft Tilt och elektronikenheten är avsedda att användas endast i samband med 85 eller 90 cm breda Invacare®-sängar av typ SB 755, utrustade med sänggrindar av lämplig höjd (se diagram i 9 *Teknisk Data, sida 135*), sänggrindsskydd och profilskurna skummadrasser (se storlekstabell 9 *Teknisk Data, sida 135*)

- Som en del av ett övergripande program för att förhindra liggsår under vård.

- Till att flytta sängbundna slutanvändare så att de ligger på vänster eller höger sida eller på rygg.
- Hjälpa slutanvändare upp på och ner från sängen.
- När det "automatiska" driftsläget används är det utformat för att reducera tryckbelastningar för slutanvändare.
- När det används i "manuellt" driftsläge är det utformat att hjälpa vårdpersonal att vända slutanvändaren från sida till sida i sängen.
- Den är lämplig för användning i hemmet, särskilda boenden och vårdinrättningar.

Indikationer

Den avsedda patientgruppen för Soft Tilt är:

- Sängbundna orörliga/delvis orörliga vuxna slutanvändare.
- De som behöver tryckavlastning.
- De som behöver hjälp vid vård i sängen med sådant som personlig hygien, påklädning etc. Denna grupp av slutanvändare flyttas ofta från säng till stol med hjälp av en personlyft eller manuellt med stöd av vårdpersonalen i kombination med ett tekniskt hjälpmedel såsom en rollator.

Kontraindikationer

Soft Tilt är inte avsedd för slutanvändare som är rastlösa, oroliga, är spastiska eller är under psykiatrisk vård.

Försiktighetsåtgärder

- Innan Soft Tilt används är det viktigt att utvärdera om Soft Tilt är lämplig för den faktiska slutanvändaren.
- Slut användare får av säkerhetsskäl inte själva manövrera Soft Tilt.



VARNING!

Annan eller felaktig användning kan leda till riskfyllda situationer. Invacare åtar sig inget ansvar för någon annan användning, ändring eller montering av produkten än den som beskrivs i den här bruksanvisningen.

1.4 Produktlivslängd

Denna produkts förväntade livslängd är fem år när den används dagligen i enlighet med de säkerhetsinstruktioner, underhållsintervall och korrekt användning som anges i denna manual. Den faktiska livslängden kan variera beroende på hur mycket och intensivt produkten används.

1.5 Information om garanti

Vi tillhandahåller en tillverkargaranti för produkten i enlighet med våra allmänna affärsvillkor i respektive land.

Garantianspråk kan endast göras genom den leverantör som tillhandahöll produkten.

1.6 Ansvarsbegränsning

Invacare ansvarar inte för skador som uppkommer till följd av

- att bruksanvisningen inte följs
- felaktig användning
- normalt slitage
- felaktig montering eller inställning som utförs av köparen eller tredje part
- tekniska ändringar
- obehöriga ändringar och/eller användning av olämpliga reservdelar.

2 Säkerhet

2.1 Allmän säkerhetsinformation



VARNING!

Endast kompatibel med Invacare® SB 755-sängar
Soft Tilt är speciellt utformad och får endast användas tillsammans med 85 och 90 cm breda sängar av typ Invacare® SB 755.



VARNING!

Fallrisk

Om Soft Tilt används utan eller med fel sänggrindar finns det risk för att slutanvändaren faller ur sängen.

- Använd aldrig Soft Tilt på en säng utan sänggrindar.
- Använd endast Soft Tilt i kombination med de Invacare-sänggrindar som anges i *9 Teknisk Data, sida 135*
- Kontrollera alltid att sänggrinden är uppe på motsatta sidan från där vårdpersonalen står ELLER att en vårdare är placerad på vardera sidan av sängen, när manuellt driftsläge används.
- Se alltid till att båda sidornas sänggrindar är uppe när automatiskt driftsläge har aktiverats.



VARNING!

Risk för klämskador och/eller kvävning

Om sänggrindarna används utan ett skydd eller med ett skydd som inte tillåter luftgenomsläpp finns risk för att slutanvändaren utsätts för klämskador och/eller kvävning.

- Använd alltid ett skydd till sänggrindarna som tillåter andning vid användning av Soft Tilt.



VARNING!

Risk för fall och/eller klämning

- Utför alltid en riskbedömning av slutanvändarens tillstånd och rörelseförmåga.
- Använd aldrig Soft Tilt om slutanvändaren är orolig eller rastlös.
- Se alltid till att slutanvändaren är placerad i mitten av sängen och att alla kroppsdelar befinner sig på madrassen innan vingarnas läge ändras.
- Lämna aldrig slutanvändaren utan tillsyn när manuellt driftsläge används.
- Slutanvändaren får aldrig flyttas i eller ur sängen när vingarna flyttas manuellt eller när automatiskt driftsläge har aktiverats.
- Handkontrollen måste alltid skötas av vårdgivaren.



VARNING!

Risk för personskador och sakskada

Olämplig hantering av kablar kan orsaka elektriska stötar och fel i produktens funktion.

- Du får inte böja, skära i eller skada strömkabeln på något annat sätt.
- Rulla inte hjulen över strömkabeln.
- Håll strömkabeln borta från rörliga delar.
- Dra ut kontakten ur eluttaget innan du flyttar sängen.
- Se till att inga kablar (nätkabeln eller kablar från annan utrustning) fastnar eller skadas när sängen används.
- Alla sängkomponenter och tillbehör måste hållas minst 30 cm från uppvärmda ytor och får inte exponeras för direkt solljus.

Madrasser



VARNING!

Säkerhetsaspekter beträffande kombination av sänggrindar och madrasser:

För att erhålla högsta möjliga säkerhetsnivå när sänggrindar används på sängen måste de lägsta och högsta måtten för madrasser beaktas.

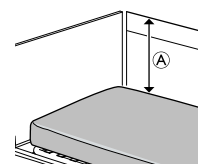
- För korrekta mått på madrasser, se madrastabellerna i kapitel *9 Teknisk Data, sida 135*



VARNING!

Risk för att fastna och/eller kvävas

- Slutanvändaren kan fastna och/eller kvävas om det horisontella utrymmet mellan madrassens sida och insidan av sänggrinden är alltför stort. Se till att madrassens mått överensstämmer med den minsta bredden (och längden) för madrassen i kombination med respektive sänggrind, vilket anges i madrastabellen i kapitel *9 Teknisk Data, sida 135*
- Tänk på att risken ökar om du använder mycket tjocka eller mjuka madrasser (låg densitet), eller en kombination av dessa.



VARNING!

Fallrisk

Slutanvändaren kan falla över kanten och skadas allvarligt om det vertikala avståndet [Ⓐ] mellan madrassens översida och kanten på sänggrinden/sänggaveln är för litet. Se bilden ovan.

- Ha alltid som ett minsta avstånd [Ⓐ] på 22 cm på sidan av den vinge användaren ligger på (motsatta vingen höjd till maximalt 12°).
- Se till att madrassens mått överensstämmer med den högsta höjden för madrassen i kombination med sänggrinden, vilket anges i madrastabellen i kapitel *9 Teknisk Data, sida 135*

Elektromagnetiska störningar



VARNING!

Risk för fel på grund av elektromagnetiska störningar

Elektromagnetiska störningar mellan denna produkt och annan elektrisk utrustning kan uppstå och inverka på produktens elektriska manöverfunktioner. För att förebygga, reducera och eliminera sådana elektromagnetiska störningar:

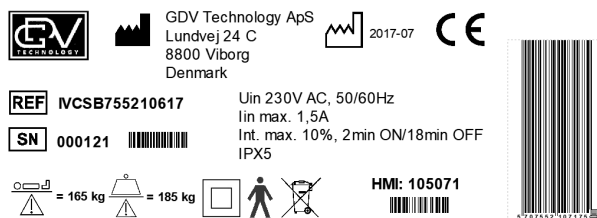
- Använd endast kablar, tillbehör och reservdelar som är original för att inte öka den elektromagnetiska strålningen eller reducera produktens elektromagnetiska integritet.
- Använd inte kommunikationsutrustning som nyttjar radiofrekvenser (RF) inom 30 cm avstånd från någon del av denna produkt (inklusive kablar).
- Använd inte denna produkt nära aktiv högfrekvent kirurgisk utrustning eller ett RF-avskärmat rum med ett system för magnetisk resonanstomografi, där det förekommer elektromagnetiska störningar av hög intensitet.
- Om störningar uppstår, öka avståndet mellan denna produkt och annan utrustning eller stäng av den.
- Se detaljerad information och följ riktlinjerna i kapitlet *10 Elektromagnetisk kompatibilitet (EMC)*, sida 137.

Symboler

	Serienummer
	Referensnummer
	Tillverkarens adress
	Tillverkningsdatum
	Brukarens maxvikt
	Högsta säkra belastning vid användning
	Isoleringsklass 2
	Patientansluten del typ B
	WEEE-överensstämmelse
	Den här produkten uppfyller kraven i direktiv 93/42/EEG om medicintekniska produkter. Lanseringsdatum för produkten anges i CE-försäkran om överensstämmelse.

2.2 Etiketter och symboler på produkten

2.2.1 Produktetikett



Soft Tilt for Invacare® SB 755

Produktens etikett är placerad på huvudmodulen av Soft Tilt och innehåller den viktigaste produktinformationen, inklusive tekniska data.

Förkortningar för tekniska data:

- lin = Ingående strömstyrka
- Uin = Inspänning
- Int. = Intermittens
- AC = Växelström
- Max = Maximalt
- min = Minuter

För ytterligare information om tekniska data, se *9 Teknisk Data*, sida 135

2.2.2 Andra etiketter och symboler

	Se bruksanvisningen
--	---------------------

3 Inställningar

3.1 Allmän säkerhetsinformation

Kontrollera förpackningen när du tar emot produkten. Om förpackningen uppvisar tecken på skador vid leveransen ska du kontakta transportföretaget.



VARNING!

Risk för personskador och sakskada

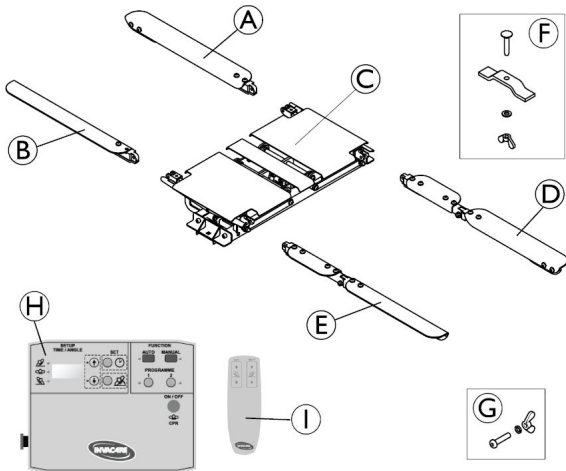
Montering och installation måste utföras av auktoriserad eller utbildad personal.

- Följ instruktionerna noggrant. Om du har några frågor angående montering, kontakta din lokala hjälpmedelscentral eller ett ombud för Invacare.
- Använd inte produkten om den visar några tecken på skador. Kontakta din lokala hjälpmedelscentral eller ett ombud för Invacare.
- Den elektriska utrustningen för produkten får inte demonteras eller kombineras med annan elektrisk utrustning.
- Kontrollera att alla muttrar har dragits åt ordentligt och att alla delar fungerar korrekt vid varje montering.

3.2 Ingår i leveransen

Soft Tilt levereras delvis monterad i en låda av kartong.

Huvuddelar



- Ⓐ Huvudändens arm för vänster vinge
- Ⓑ Huvudändens arm för höger vinge
- Ⓒ Huvudmodul (förmonterad enhet)
- Ⓓ Fotändens arm för vänster vinge
- Ⓔ Fotändens arm för höger vinge
- Ⓕ 2 uppsättningar: Fixeringsplatta, hållbult, bricka och vingmutter
- Ⓖ 4 uppsättningar: Insexbult, bricka och vingmutter
- Ⓗ Elektronikbox
- Ⓘ Manöverdosa

Textilskydd (visas inte i bild)

3.3 Montering av Soft Tilt

Montering av huvudmodulen



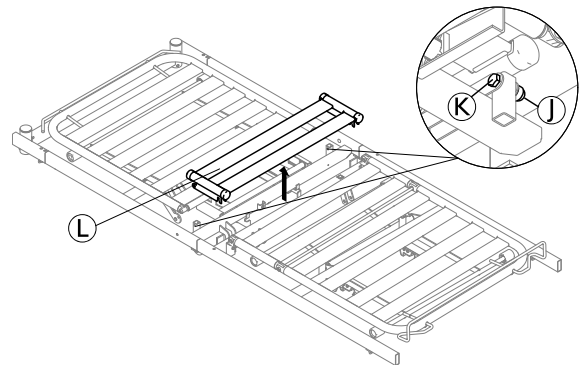
FÖRSIKTIGT!

Risk för personskador eller materiella skador
Om du håller huvudmodulen i fel delar när du lyfter den kan det orsaka produkt- eller personskada.

- Håll bara i huvudmodulen i täckplåtarna på vingarna eller i monteringsfästena på underredet.
- Håll inte i den mellersta täckplåten.
- Håll inte i klämskydden som sitter under vingarna på vänster och höger sida.

1.

a.

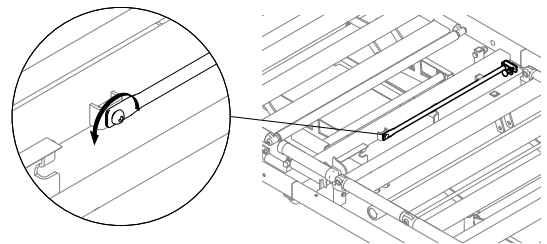


På vardera sida av sängen, ta bort muttern Ⓧ och bulten Ⓚ med två 13 mm-nycklar för att lyfta bort sättesdelen Ⓛ från sängen.



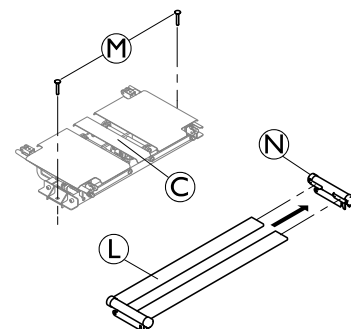
För sängar utrustade med trälattor krävs två extra aluminiumlattor som ersätter trälattorna i sättesdelen Ⓛ.

b. Ytterligare steg krävs endast för delbara sängar (SB 755D)



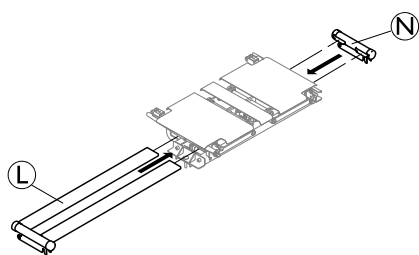
Skruva loss och ta bort distansstaven som sitter vid den nedre tvärgående delen till huvudändens sängbotten. Förvara den tillgänglig för återmontering när Soft Tilt tas bort från sängen.

2.



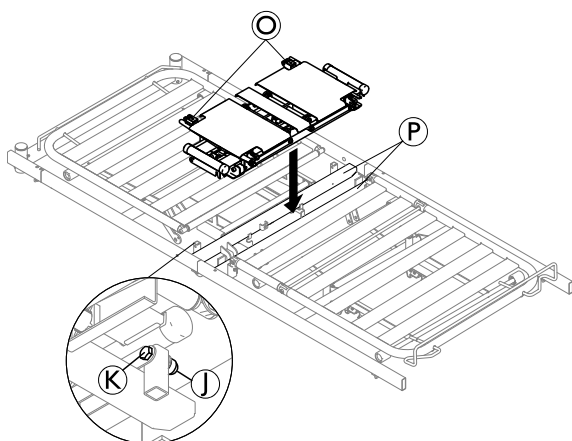
Placera de två hållbultarna Ⓜ i hålen på monteringsfästena till huvudmodulen ⓐ och ta bort ett av fästena Ⓝ från sättesdelen Ⓛ.

3.



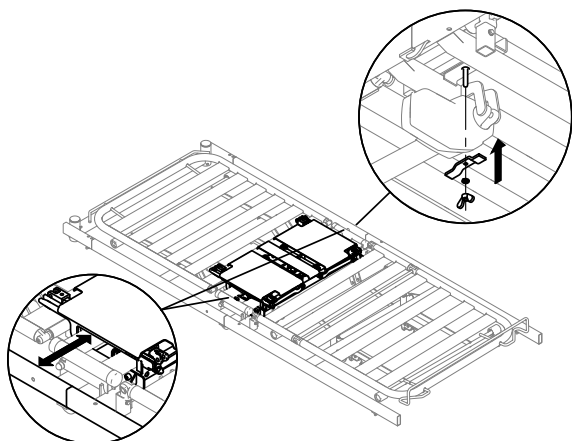
Infoga de lösa ändarna på de två lattorna under täckplåtarna på huvudmodulen och sätt tillbaka dem i fästet **N** på andra sidan.

4.



Placera huvudmodulen med sätesdelen på de nedre tvärgående balkarna **P**, med de långa anslutningsarmarna **O** vända mot sängens huvudände. Se till att kablarna till motorerna dras mellan de nedre tvärgående delarna **P** och att inga kablar hamnar i kläm. Fixera sätesdelen med de bultar **K** och muttrar **J** som lossades i steg 1.

5.



Säkerställ att huvudmodulen är placerad i mitten av sängbotten och att avståndet till sängramsroren är det samma på båda sidorna. Fäst huvudmodulen med fästplåtens bricka och mutter vid de nedre tvärgående delarna till sängbottens ram, från undersidan på båda sidor av sängen.

Ledningar

Elektronikboxen och manöverdosan ska hängas vid fotgaveln.



Anslutningar vid elektronikboxen

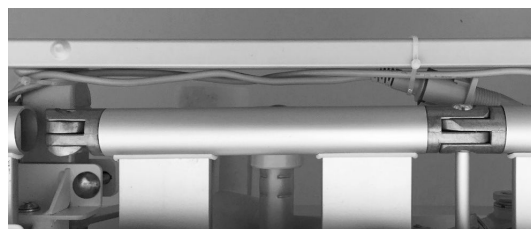
- **C** Elförsörjning
- **R** Manöverdosan och klämskyddsbrytare via förgreningskabel
- **S** Höger motor
- **T** Vänster motor

1. Anslut kablarna för höger och vänster motor till de två förlängningskablarna **S** och **T** från elektronikboxen.
2. Anslut manöverdosan till den kortare änden av förgreningskabeln **R** och anslut strömkabeln **C** till elnätet.
3. Inaktivera nödstoppet, slå på systemet, aktivera manuellt driftsläge och använd manöverdosan för att kontrollera att vänster och höger motor är korrekt anslutna till elektronikboxen (se kapitlet *Användning* för detaljerade instruktioner).
- 4.




Höj båda vingarna på huvudmodulen och ta bort den tejp som fixerar kabeln till klämskyddsbrytarna på huvudmodulen. Dra brytarkablarna på ena sidan av sängen och dra den fria änden under den första tvärbalken och ovanpå den andra tvärbalken mot fotändan av sängen. Anslut kabeln till den längre änden av förgreningskabeln **R**. Fäst varje kabel från klämskyddsbrytarna med ett plastband vid tvärbalken och ramen till Soft Tilt, vänd mot sängens huvudände.

5.

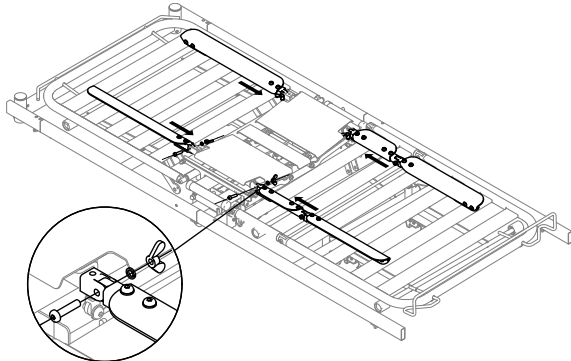


Se till att alla kablar löper under sänglattorna och fäst en motorkabel tillsammans med brytarkabeln på sidan av sängen och den andra motorkabeln på sängens andra sida, med tre plastband på vardera sidan. Det första bandet placeras på den nedre tvärgående balken och de återstående två på sidoröret mot fotändan av sängen.

-  Höj och sänk sängen hela vägen för att se till att inga kablar hamnar i kläm.

Montering av armar och skydd

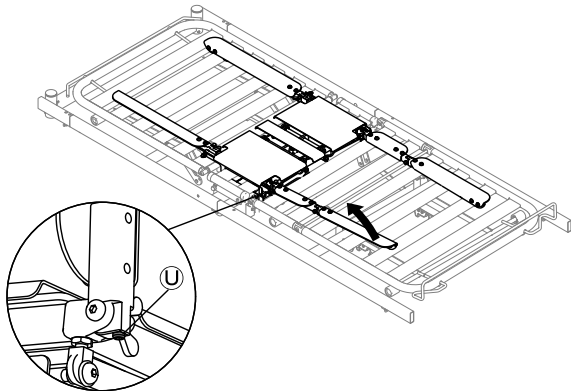
1. Se till att huvudmodulens båda vingar är något lyfta så att anslutningarna till armarna är åtkomliga.
- 2.



Anslut de fyra armarna till huvudmodulen. Säkerställ att armarna med gångjärnet placeras över bendelens knäböj och att de rundade sidorna på alla armar pekar utåt. Fäst de fyra armarna med insexbultar och dra åt vingmuttrarna som är vända inåt. Säkerställ att säkerhetsbrickorna placeras under vingmuttrarna.

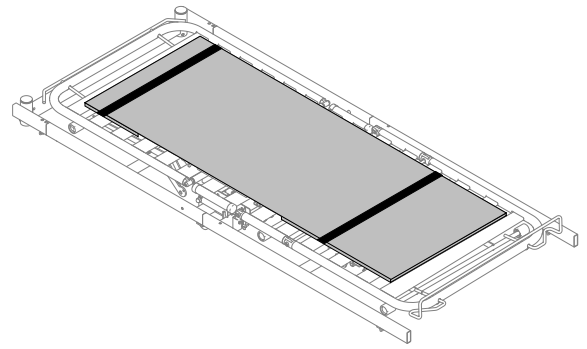
3.

- !** **VIKTIGT!**
Vid montering, se till att de fyra armarna befinner sig i horisontellt läge och justera dem om det behövs



För att justera armarnas position, vik dem uppåt vid leden till huvudmodulen och justera skruven **U** till dess att armarna befinner sig i horisontellt läge när de viks tillbaka ner.

4.



Montera skyddet genom att skjuta fickorna över huvudändens och fotändens armar. Huvudänden på skyddet är markerat med "TOP".

- !** **VIKTIGT!**
Soft Tilt får inte användas utan skydd.

5. Placera och fäst madrassen på Soft Tilt.
 - a. Lossa kardborrefästena på båda sidors band till skyddet och vik dem åt sidan.
 - b. Placera madrassen på sängen ovanpå Soft Tilt (för kompatibla madrasser, se 9 Teknisk Data, sida 139).
 - c. Dra banden över madrassen och fäst kardborrefästena så att madrassen är tätt fixerad mot Soft Tilt.

4 Användande

4.1 Allmän säkerhetsinformation



VARNING!

Risk för personskador och sakskada.

- Sängen måste placeras så att höjdjusteringen inte hindras av exempelvis lyftar eller möbler.
- Var försiktig så att inga kroppsdelar kommer i kläm mellan fasta delar (exempelvis sänggrindar, sänggavlar osv.) och rörliga delar.
- Handkontrollen får inte användas av barn.
- Handkontrollen får endast användas av vårdgivare.



VIKTIGT

- Om ett strömavbrott inträffar, säkrar batteriet möjligheten att återställa Soft Tilt via funktionen "CPR".
- Säkerställ att batteriet är fulladdat före användning av Soft Tilt.
 - Se Batteri i underhållsavsnittet för ytterligare information.

4.2 Översikt

Soft Tilt kan användas antingen i manuellt eller automatiskt driftsläge.

Sängens normala funktioner kan aktiveras i båda lägen.



Det rekommenderas att huvudänden är något höjd under användningen av Soft Tilt för att ge slutanvändaren en mer bekväm ställning.

Manuellt driftsläge

Det manuella driftsläget har utformats för att hjälpa vårdpersonal att vända slutanvändaren från sida till sida i sängen.

Vingarna kan höjas och sänkas med handkontrollen (se avsnittet *Manuell användning*).

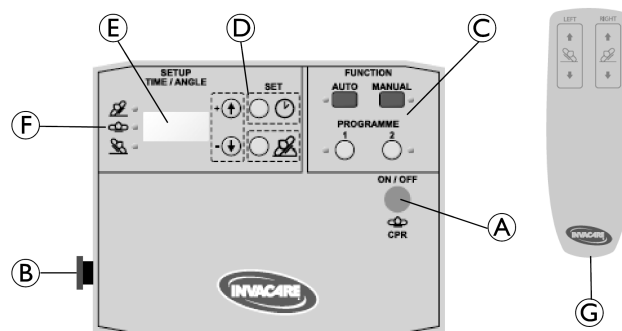
Automatiskt driftsläge

Det automatiska driftsläget har utformats för att reducera tryckbelastningar för slutanvändare.

I AUTO-programmet flyttar sig vingarna automatiskt i enlighet med fördefinierade parametrar för tid och vinkel (se avsnittet *Sekvens för Auto-program*).

I Program 1 och 2 förflyttas vingarna automatiskt i enlighet med individuellt definierade parametrar för tid och vinkel (se avsnittet *Programmering*).

4.3 Elektronikbox och handkontroll



- Ⓐ Knapp för Av/På och CPR (funktion för hjärtstillestånd)
- Ⓑ Knapp för nödstopp
- Ⓒ Funktionsknappar för val av driftsläge.
- Ⓓ Inställningsknappar för att ställa in parametrar för program 1 och 2
- Ⓔ Display
- Ⓕ Positionsvisare
- Ⓖ Handkontroll

4.4 På/Av och CPR/Återställningsfunktion

Slå på systemet

1. Tryck och håll in knapp Ⓐ under 3 sekunder för att slå på systemet.

CPR/Återställningsfunktion

CPR (hjärt-lungräddning)/Återställningsfunktionen åsidosätter alla kommandon och flyttar båda vingarna till horisontellt läge.

1. För att aktivera CPR/Återställningsfunktionen, tryck på knapp Ⓐ (utan att hålla den intryckt).

Stäng av systemet

1. Tryck på knappen Ⓐ för att återställa systemet och om tillämpligt, vänta tills båda vingarna flyttats till horisontellt läge.
2. Tryck och håll in knapp Ⓐ under 3 sekunder för att stänga av systemet.

Display

Systemstatus	Display	Obs!
AV		Displayen är tom
PÅ	program- varuversion (3 siffror)	Visas 2 sek. efter att systemet har aktiverats. (växlar till passivt läge om ingen funktion har valts).
PÅ	— — —	Passivt läge (ingen funktion vald)
Återställ	AV	Visas efter CPR/ Återställningsfunktion har aktiverats. Därefter växlar systemet till passivt läge.

4.5 Nödstopp

VIKTIGT

När nödstoppet har aktiverats kan CPR-funktionen fortfarande aktiveras genom att trycka på knappen Ⓐ, så att vingarna sänks till horisontellt läge om detta krävs.

När nödstoppet aktiverats upphör alla kontroller och rörelser omedelbart (vingarna stannar i deras befintliga position).

1. För att aktivera, tryck in knappen Ⓑ.
2. För att inaktivera, rotera knappen Ⓑ medurs.
3. Tryck på knappen Ⓐ för att återställa systemet.

4.6 Manuell användning



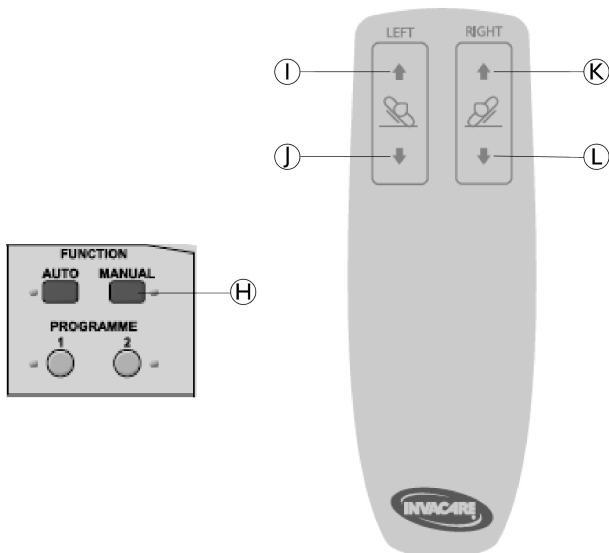
WARNING!

Risk för klämning och skador

Om båda vingarna höjs samtidigt till över 12° vinkel föreligger risk att patienten kläms.
– Detta alternativ får endast användas av utbildad personal.



Första gången MANUELL aktiveras efter att systemet har slagits på, återställer det sig självt innan funktionen kan användas.



1. Tryck på och håll ned knappen Ⓜ i 3 sekunder för att aktivera manuell användning.
2. Tryck på handkontrollens knappar efter behov.

- För att höja vänster vinge, tryck på ①
- För att sänka vänster vinge, tryck på ①
- För att höja höger vinge, tryck på ②
- För att sänka höger vinge, tryck på ②



-Vänster och höger knappar kan aktiveras samtidigt för att manövrera båda vingarna samtidigt.

-Vingarna kan flyttas i ett intervall från 0° till 60°.

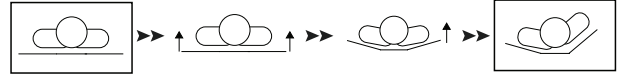
3. För att inaktivera manuell användning, tryck på knappen Ⓜ eller knappen PÅ/AV och CPR Ⓐ.

Statusindikatorer

Display	LED
0 = ingen aktivitet	MANUELL LED aktiv
U = vinge flyttas uppåt	
d = vinge flyttas nedåt	

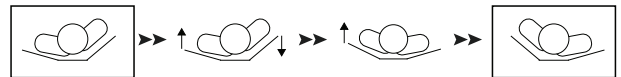
4.6.1 Rekommenderade förfaranden

Förflyttning från horisontell position till sidan:



1. Höj båda vingarna samtidigt för att öka komforten för slutanvändaren.
2. När båda vingarna lyfts något, fortsätt att höja endast den primära vingen och lämna den sekundära vingen i position.
3. När primärvingen har nått önskad höjd, kan man (men behöver inte) sänka den sekundära vingen till horisontellt läge.

Förflyttning från den ena sidan till den andra:



1. Höj den lägre sidan samtidigt som den högre sidan sänks
2. Sluta sänka sekundärvingen när den fortfarande är något höjd och fortsätt att enbart höja primärvingen.
3. När primärvingen har nått önskad höjd, kan man (men behöver inte) sänka den sekundära vingen till horisontellt läge.

4.7 Automatisk användning

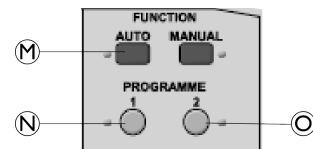
AUTO-programmet är fördefinierat och kan inte ändras.

Program 1 och 2 kan definieras individuellt av vårdpersonal (se kapitlet *Programmering*). Vid leverans är programmen tomma och måste definieras före användning.



- Om ett program aktiveras återställs systemet till horisontell position innan det valda programmet startas.

- Om ett nytt program väljs medan ett annat program är aktivt återställs systemet till horisontell position innan det nya programmet startas.



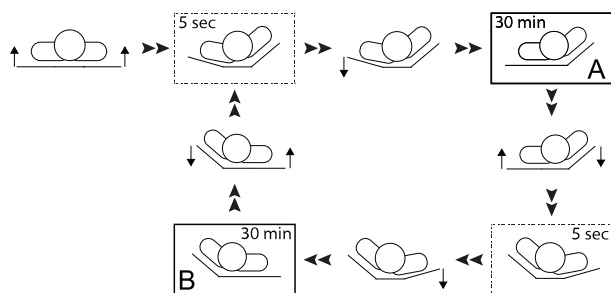
1. Tryck på programknapparna efter behov.
 - För att starta AUTO-programmet, tryck och håll Ⓜ under 3 sekunder.
 - För starta program 1, tryck och håll Ⓝ under 3 sekunder.
 - För starta program 2, tryck och håll Ⓞ under 3 sekunder.
2. För att stoppa ett pågående program tryck på knappen PÅ/AV och CPR Ⓐ eller tryck på knappen Ⓜ Ⓝ eller Ⓞ, beroende på vilket program som är aktivt.

- Handkontrollen fungerar inte när ett program är aktivt.

Statusindikatorer

Aktivt program	Display	LED
AUTO	AU	AUTO-LED aktiv
Program 1	P1	P1-LED aktiv
Program 2	P2	P2-LED aktiv

4.7.1 Sekvens för Auto-program



- Båda vingarna startar i horisontell position och börjar lyftas samtidigt.

- Vänster vinge stoppas vid 12° och höger vinge stoppas vid 30°.
- 5 sekunder efter att höger vinge har nått 30° sänks vänster vinge till 0°.
- Denna position A bibehålls under 30 minuter.
- Vänster vinge börjar lyftas samtidigt som höger vinge börjar sänkas.
- Höger vinge stannar vid 12° och vänster vinge fortsätter att höjas upp till 30°.
- 5 sekunder efter att vänster vinge har nått 30° sänks höger vinge till 0°.
- Denna position B bibehålls under 30 minuter.

Cykeln fortsätter att skifta mellan position A och B, till dess att programmet stoppas.

4.8 Ladda batteriet

Batteriet laddas när systemet är anslutet till elnätet och är påslaget.

När batteriet laddas visas en punkt längst ned i högra hörnet på displayen.

Batteriet är fulladdat efter 12 timmar.

- När felkod E03 eller E04 visas laddas INTE batteriet.

5 Programmering

5.1 Individuellt definierade program

Program 1 och 2 kan definieras individuellt av vårdpersonal genom att ställa in vinklarna för vingarna och hålltider för olika positioner.

Definiera vinklar

Vinklarna för vänster och höger vinge kan definieras individuellt för den första sidans position. Den andra (motsatta) sidans position definieras automatiskt som en spegelbild av den första sidans position.

- Om vinkeln för den ena vingen är inställd mellan 13° och 30°, definieras den vingen som "primär vinge".
- Den motsatta vingen definieras då som "sekundär vinge" och dess valbara vinkelvärden begränsas till 0°–12°.
- Den "primära vingen" definierar den första sidans position i programsekvensen.

Det finns två alternativ för vingen som slutanvändaren ligger på (t.ex. vänster vinge om slutanvändaren ligger på vänster sida):

- Om vinkeln på den sekundära vingen är inställd på 0° höjs den till 12° under vändrörelsen och flyttar till en horisontell position 5 sekunder efter det att den primära vingen har nått sin inställda vinkel, så att slutanvändaren kommer att vila på en horisontell sekundär vinge.
- Om vinkelvärdet för den sekundära vingen är inställd på mellan 1° och 12° kommer den att förbli i förhöjt läge med den valda vinkeln i en sidoposition och slutanvändaren kommer att vila på en förhöjd sekundär vinge.



FÖRSIKTIGT!

Fallrisk

Om den sekundära vingen förblir i förhöjt läge medan slutanvändaren vilar i ett sidoläge, minskas avståndet till översidan av sänggrinden.

- Använd endast de sänggrindar som anges för denna situation i 9 *Teknisk Data*, sida 135

Definiera tiden:

Tider för de två sidornas positioner och horisontell position kan definieras individuellt mellan 000 och 180 minuter.



Programsekvensen startar alltid i horisontell position.

Om tiden för ena sidans position anges till 000 minuter:

- programmet inleder övergången från horisontell position till den första positionen efter den angivna tiden.
- programmet skiftar endast mellan horisontell och den andra sidans position (t.ex. horisontell-höger-horisontell-höger...)

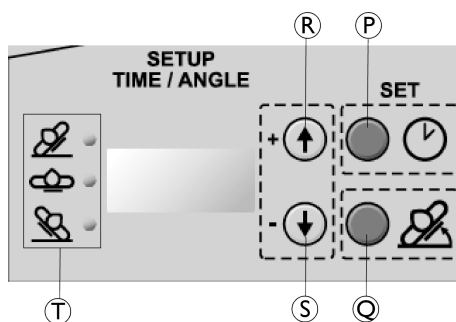
Om tiden för horisontell position anges till 000 minuter:

- programmet startar omedelbart efter aktiveringen med övergången till den första sidans position.
- programmet skiftar endast mellan de två sidornas position (t.ex. vänster-höger-vänster-höger...).

Om tiden för horisontell position anges till mellan 3 och 180 minuter:

- programmet inleder övergången från horisontell position till den första positionen efter den angivna tiden.
- programmet övergår alltid till horisontell position mellan de två sidornas positioner (t.ex. horisontell-höger-horisontell-vänster-horisontell-höger...)


















5.2 Hur de individuella automatiska programmen programmeras



- Ⓟ Knapp för inställning av tid / start av programmering
- Ⓠ Knapp för inställning av vinkel
- Ⓡ Justeringsknapp för plus (öka värden för tid och vinkel)
- Ⓡ Justeringsknapp för minus (minska värden för tid och vinkel)
- Ⓡ Positionsvisare (LED)
 - Höger (överst) = höger ving eller position
 - Horisontellt (mellersta) = båda vingarna i horisontell position
 - Vänster (nederst) = vänster ving eller position

Först ställs tiderna in som vingarna är i höjt eller horisontellt läge för Program 1 eller Program 2, därefter ställs vinklarna in.

Steg	Funktion	Display	LED	Obs!	
1	Tryck och håll i 3 sekunder.		SEL	ingen	Gå över till programmeringsläge
2	Tryck		P1	P1	Välja program som ska ställas in
	eller		P2	P2	
3	Tryck		010	P1 eller P2 & Rätt 	Tiden visas på displayen
4	Tryck	 	001 020	P1 eller P2 & Rätt 	Justera tiden mellan 000 och 180 minuter (0, 3, 10–180 i steg om +/-10 minuter)
5	Tryck		010	P1 eller P2 & Horisontellt 	Tiden visas på displayen
6	Tryck	 	001 020	P1 eller P2 & Horisontellt 	Justera tiden mellan 000 och 180 minuter (0, 3, 10–180 i steg om +/-10 minuter)

Steg	Funktion	Display	LED	Obs!
7	Tryck 	010	P1 eller P2 & Vänster 	Tiden visas på displayen
8	Tryck  	001 020	P1 eller P2 & Vänster 	Justera tiden mellan 000 och 180 minuter (0, 3, 10–180 i steg om +/-10 minuter)
9	Tryck 	A	–	ett enkelt *PIP* = Tiden har nu ställts in.
10	Tryck 	015	P1 eller P2 & Rätt 	Vinkeln visas på displayen
11	Tryck  	014 016	P1 eller P2 & Rätt 	Justera vinkeln mellan 00 och 30 grader (i steg om +/-1 grad)
12	Tryck 	010	P1 eller P2 & Vänster 	Vinkeln visas på displayen
13	Tryck  	009 011	P1 eller P2 & Vänster 	Justera vinkeln mellan 00 och 30 grader (i steg om +/-1 grad)
14	Tryck 	–	–	dubbelt *PIP* = vinkeln har nu ställts in och hela programmet sparas.

-  • Om inga knappar trycks under 2 min avslutas programmeringsläget automatiskt utan att några inställningar sparas.

5.3 Programexempel för automatiserad reduktion av tryckbelastning

- Slut användaren vänds från höger sida till horisontellt läge till vänster sida och ligger alltid på en horisontell vinge.
 - Vinkel för primärvinge = 13°–30°
 - Vinkel för sekundärvinge = 0°
 - Tid för höger, horisontell och vänster position > 0 minuter.


- Slut användaren vänds från höger sida till horisontellt läge till vänster sida och ligger alltid på en något lyft vinge.
 - Vinkel för primärvinge = 13°–30°
 - Vinkel för sekundärvinge = 1°–12°
 - Tid för höger, horisontell och vänster position > 0 minuter.

Detta program kräver ”höga” sänggrindar.

- Slutanvändaren vänds från höger sida till vänster sida, ligger aldrig i horisontellt läge, men alltid på en horisontell vinge.
 - Vinkel för primärvinge = 13°–30°
 - Vinkel för sekundärvinge = 0°
 - Tid i horisontellt läge = 0 min.
 - Tid i vänster och höger position > 0 min.
 - se avsnittet *Sekvens för Auto-program* som ett exempel.
- Slutanvändaren vänds från höger sida till vänster sida, ligger aldrig i ett horisontellt läge, men alltid på en något förhöjd vinge (Vaggfunktion).
 - Vinkel för primärvinge = 13°–30°
 - Vinkel för sekundärvinge = 1°–12°
 - Tid i horisontellt läge = 0 min.
 - Tid i vänster och höger position > 0 min.

Detta program kräver "höga" sänggrindar.
- Slutanvändaren vänds från enda sidan till horisontellt läge och tillbaka till samma sida, alltid liggande på en horisontell vinge.
 - Vinkel för primärvinge = 13°–30°
 - Vinkel för sekundärvinge = 0°
 - Tid i horisontellt läge > 0 min.
 - Tid i vänster eller höger position = 0 min.
- Slutanvändaren vänds från enda sidan till horisontellt läge och tillbaka till samma sida, alltid liggande på en något lyft vinge.
 - Vinkel för primärvinge = 13°–30°
 - Vinkel för sekundärvinge = 1°–12°
 - Tid i horisontellt läge > 0 min.
 - Tid i vänster eller höger position = 0 min.

Detta program kräver "höga" sänggrindar.
- Båda vingarna lyfta till samma vinkel utan ompositionering (Bakifrånkram).
 - Vinkel för primär och sekundär vinge = 10°–12°
 - Tid i horisontellt läge = 0 min.
 - Tid i vänster och höger position > 0 min (inställda värden är inte relevanta, se nedan)

 Ingen automatisk ompositionering sker när båda vingarna är inställda på samma vinkel, därför har inställda tider för vänster och höger position ingen påverkan.

6 Underhåll

6.1 Allmän information för underhåll

- !** **VIKTIGT!**
Service och underhåll av Soft Tilt måste utföras tillsammans med sängen.
– För mer detaljerad information om underhållsförfaranden och checklistor, se *Servicemanual för säng* för den säng som används.

6.2 Rengöring och desinfektion

- !** **VIKTIGT!**
Felaktiga vätskor och metoder kan skada din produkt.
– Använd aldrig korroderande vätskor (alkaliska ämnen, syror, cellulosathinner, aceton osv.)
– Använd aldrig ett lösningsmedel som ändrar strukturen i plasten eller löser upp fästa etiketter.

Elektriska komponenter

- !** **VIKTIGT!**
IP-klassificeringen avgör de elektriska komponenternas tvättbarhet.
Elektronik klassificerad som IPx5 och/eller IPx6 kan INTE tvättas med rengöringsutrustning som ger ifrån sig stråle eller i en tunnel för tvättning.
– IP-klassificeringen anges på de elektriska komponenternas serienummeretiketter.
– Observera även att komponenterna kan ha olika klassificering.

Textilier

Detaljerade tvättanvisningar finns på textilskyddets etikett.

Allmän rengöringsmetod

Metod: Torka av produkten med en våt trasa eller en mjuk borste.


Maxtemperatur: 40 °C

Lösningsmedel/kemikalier: Milt rengöringsmedel för hushåll eller tvål och vatten.

- !** **VIKTIGT**
För närmare information om rengöringsmetoder, se instruktioner i avsnittet *Icke tvättbara komponenter* i *Bruksanvisning för säng*

6.3 Batteri

Vi rekommenderar att batteriet kontrolleras var 6:e månad:

1. Lyft båda vingarna och koppla ur elkabeln.
2. Tryck PÅ/AV och CPR-knappen  och se till att båda vingarna intar horisontellt läge.


Vi rekommenderar att batteriet byts efter 4 år – ring hjälpmedelscentral/tekniker för att byta batteriet.

Förvaring

- !** **VIKTIGT**
Innan Soft Tilt ställs i förvar, säkerställ att systemet har stängts av helt och nödstoppet har tryckts in för att förhindra urladdning av batteriet.

7 Återanvändning

7.1 Kassering

 Kassering/återvinning måste följa de lagar och föreskrifter som gäller för avfallshantering i respektive land.

Invacare arbetar kontinuerligt för att säkerställa att företagets påverkan på miljön, lokalt såväl som globalt, reduceras till ett minimum.

Vi följer gällande miljölagstiftning (t.ex. WEEE- och RoHS-direktiven).

Vi använder endast material och komponenter som följer REACH-direktivet.

- Alla elektriska delar måste tas bort och kasseras som elektriska komponenter.
- Alla delar i plast måste demonteras och skickas för kassering eller återvinning.
- Delar i stål måste kasseras som returmetall.



VIKTIGT!

Akkumulatorbackup

- Gamla ackumulatorer måste returneras till Invacare eller återvinnas som bilbatterier

8 Felsökning


8.1 Felsökning av det elektriska systemet

Fel	Display (blinkar med 0,5 sekunders intervall mellan två koder)		Ljudsignal	LED (blinkar gult)	Kommentar	Lösning
Driftsstopp VÄNSTER motor	E01	E0	10 pip växlande 1 sekund PÅ, 1 sekund AV	Vänster	endast i Auto-läge (ingen display, ljudsignal eller blinkande LED i manuellt driftsläge)	Kontrollera kablarna till och från motorn för följande: – Kabel oskadad. – Kabel korrekt ansluten till motor. – Kabelanslutning korrekt installerad och intakt.
Driftsstopp HÖGER motor	E02	E0	Vid försök att aktivera motorn igen: 1 pip under 1 sekund	Höger		
Batteriläge: Strömavbrott ELLER Nödstopp aktiverat	E03	E0	4 pip växlande 1 sekund PÅ, 1 sekund AV		– 1:a ljudsignalen vid frånkoppling från elnätet ELLER då nödstopp aktiveras. Systemet växlar till batteriläge och vingarna stannar i det läge de befinner sig för ögonblicket. – 2:a ljudsignalen efter 20 minuter. – 3:e ljudsignalen efter 40 minuter. – Efter 60 minuter växlar systemet till fel för dåligt laddat batteri (E04).	Anslut till elnätet OCH/ELLER avaktivera nödstoppet för att ladda och kontrollera batteriet (se kapitlet <i>Underhåll</i> för ytterligare information).
Batteriet är dåligt laddat	E04	E0	4 pip växlande 1 sekund PÅ, 1 sekund AV		– 1:a ljudsignalen när batteriet upptäcks vara dåligt laddat i batteriläge. – Ytterligare ljudsignaler avges var 20:e minut till dess att systemet stängs av för att spara på batteriet för en CPR-sänkning.	
Detektering av klämning på VÄNSTER motor	E05	E0	10 pip växlande 1 sekund PÅ, 1 sekund AV	Auto, P1 eller P2 (beroende på vilket program som avbrutits).	Vingen på sidan som kläms höjer sig till 30° och motsatt vinge intar horisontellt läge.	Kontrollera om något föremål hindrar vingarna när de flyttar sig nedåt och ta i så fall bort det. Läs följande avsnitt om FÖRSIKTIGHET innan du återställer dessa fel.
Detektering av klämning på HÖGER motor	E06	E0				
Detektering av klämning på VÄNSTER och HÖGER motor	E07	E0				
Systemet kan inte slås på					Trots att systemet är anslutet till elnätet kan det inte slås på.	Kontrollera om nödstoppet aktiverats och inaktivera om så behövs.

**FÖRSIKTIGT!****Risk för personskador eller produktskador**

Vid fel med detektering av klämning kringgår CPR-/återställningsfunktionen detektering av klämning och för vingarna nedåt.

– Se till att inga föremål hindrar vingarna när de förs nedåt innan du återställer ett fel vid detektering av klämning (E05, E06 och E07)

 Tryck på PÅ/AV och CPR-knappen för att återställa ett fel och försök igen.

Kontakta hjälpmedelscentral eller ombud för Invacare om åtgärderna ovan inte avhjälper felet.

8.2 Programmeringsfel

Felkoder visas för felaktig inställning av värden för Program 1 eller 2



Fel	Display	Ljudsignal	Kommentar
Program 1 eller 2	E40 under 4 sekunder.	2 pip växlande 5 sekunder PÅ, 1 sekund AV	Uppstår vid aktivering av Program 1 eller 2 med felaktiga tidsvärden. Följande kombination av tidsvärden för vänster, höger och horisontell position definieras som felaktiga inställningar: - Alla tre tidsvärdena = 0 min - Bara ett tidsvärde > 0 min / två tidsvärden = 0 min

9 Teknisk Data

9.1 Egenskaper

Automatisk användning	ja
Maximal vinkel i manuellt driftsläge	60°
Maximal vinkel i automatiskt läge	primärvinge = 30° sekundärvinge = 12°
Vinkelvärden i automatiskt läge	0°–30° (i steg om +/-1°)
Tidsvärden i automatiskt läge	0, 3, 10–180 min (i steg om +/-10 min)

9.2 Vikter

	Maximal vikt för användare (förutsatt att madrassens vikt inte överstiger 20 kg)	165 kg
	Maximal tillåten belastning (inklusive madrass)	185 kg

Vikter för Soft Tilt-komponenter

Komplett (huvudmodul och 4 armar)	25 kg
Arm huvudände (1 del)	1,4 kg
Arm fotände (1 del)	2,4 kg
Huvudmodul	14,5 kg
Elektronikbox	2,9 kg

9.3 Tillåtna madrassstorlekar

Kompatibilitet mellan tjocklek på madrass och sänggrindar

! **VIKTIGT**
Beroende på om slutanvändaren i en sidoposition ligger på en horisontell vinge (madrassen är horisontell) ELLER om vingen slutanvändaren ligger på är upphöjd till 12°, krävs olika kombinationer av madrasser och sänggrindar (se tillämpligt diagram nedan).

– Slutanvändaren ligger på en horisontell vinge

Tillåten tjocklek på madrassen när slutanvändaren ligger på en horisontell vinge (sekundärvinge = 0°).

Sänggrind	Tjocklek på madrass
Britt V / Line / Line Förlängningsbar	12–14 cm
Britt V / Line / Line Förlängningsbar med grindförhöjning monterad för sänggrind*	15–29 cm

Sänggrind	Tjocklek på madrass
Scala Medium 2	12–16 cm
Scala Decubi 2	17–25 cm

*Måste demonteras när sänggrinden är nedfälld och slutanvändaren ska förflytta sig ur sängen.

– Slutanvändaren ligger på en upphöjd vinge

Tillåten tjocklek på madrassen när slutanvändaren ligger på en vinge höjd upp till 12° (sekundärvinge = 1–12°).

Sänggrind	Tjocklek på madrass
Britt V / Line / Line Förlängningsbar med grindförhöjning monterad för sänggrind*	12–22 cm
Scala Decubi 2	17–18 cm

*Måste demonteras när sänggrinden är nedfälld och slutanvändaren ska förflytta sig ur sängen.


Bredd och längd på madrass beroende på sängens bredd

Sängbredd	Tillåten madrassbredd	Minsta längd (cm)
85 cm	83–85 cm	200 cm
90 cm	88–90 cm	200 cm

 En profilskuren madrass rekommenderas.

9.4 Omgivningsförhållanden

	Förvaring och transport	Drift
Temperatur	-10 °C till +50 °C	+5 °C till +40 °C
Relativ luftfuktighet	20–75 %	
Atmosfäriskt tryck	800–1 060 hPa	

 Tänk på att när en säng har förvarats i låga temperaturer måste den anpassas till driftförhållandena före användning.

9.5 Elektriskt system

Strömförsörjning: Uin 230 Volt, växelström 50/60 Hz
Maximal ingångsström: Iin max 1,5 A
Intermittent (periodisk motoranvändning): Int = Max 10 %, 2 min PÅ / 18 min AV
Isoleringsklass: KLASS II



Patientanslutna del typ B



Den patientanslutna delen uppfyller kraven för skydd mot elektriska stötar i enlighet med IEC60601-1.

(En patientanslutna del är en del av den medicinska utrustningen som är avsedd att ha fysisk kontakt med patienten eller en del som sannolikt kommer i kontakt med patienten.)

Ljudnivå: 58,5 dB (A)

Skyddsklass: IPx6* eller IPx5**

Huvudmodulen, ställdon och handkontroll är skyddade enligt IPx6. Elektronikdosan är skyddad enligt IPx5

* IPX6-klassificering innebär att det elektriska systemet är spoltätt för riktat vatten oavsett riktning (ej högtryck).

** IPX5-klassificering innebär att det elektriska systemet är spolsäkert för riktat vatten med lågt tryck oavsett riktning.

10 Elektromagnetisk kompatibilitet (EMC)

10.1 Allmän EMC-information

Medicinsk elektrisk utrustning måste installeras och användas i enlighet med EMC-informationen i den här manualen.

Denna produkt har testats och bekräftats uppfylla de EMC-gränser som anges av IEC/EN 60601-1-2 för utrustning tillhörande klass B.

Bärbar och mobil kommunikationsutrustning som använder RF kan påverka driften av denna produkt.

Andra enheter kan störas även av de lägsta nivåerna av elektromagnetisk strålning som tillåts av ovannämnd standard. För att fastställa om utstrålning från denna produkt orsakar störningar, starta produkten och stäng av den. Om störningarna upphör för de andra enheterna är det denna produkt som orsakar störningarna. I sådana sällsynta fall kan störningen minskas eller åtgärdas på följande sätt:

- Placera om, flytta eller öka avståndet mellan enheterna.

10.2 Elektromagnetisk strålning

Riktlinjer och tillverkarens deklARATION

Denna produkt är avsedd för användning i den elektromagnetiska miljö som anges nedan. Kunden eller användaren av denna produkt måste försäkra sig om att den används i en sådan miljö.


Strålningstest	Överensstämmelse	Elektromagnetisk miljö – riktlinjer
RF-strålning CISPR 11	Grupp I	Denna produkt använder endast RF-energi för sin interna funktion. Därför är dess RF-strålning mycket låg och orsakar sannolikt ingen interferens hos närliggande elektronisk utrustning.
RF-strålning CISPR 11	Klass B	Denna produkt är lämplig för användning i alla institutioner inklusive boenden och platser som är direkt anslutna till det allmänna lågspänningsnätet som förser byggnader med el för hushållsändamål.
Harmonisk utstrålning IEC 61000-3-2	Klass A	
Spännings- variationer/ flimmerutstrålning IEC 61000-3-3	Överensstämmer	

10.3 Elektromagnetisk integritet

Riktlinjer och tillverkarens deklARATION

Denna produkt är avsedd för användning i den elektromagnetiska miljö som anges nedan. Kunden eller användaren av denna produkt måste försäkra sig om att den används i en sådan miljö.

Immunitetstest	Test / Nivå på överensstämmelse	Elektromagnetisk miljö – riktlinjer
Elektrostatisk urladdning (ESD) IEC 61000-4-2	± 8 kV kontakt ± 2 kV, ± 4 kV, ± 8 kV, 15 kV luft	Golv ska vara av trä, betong eller keramik. Om golven är täckta av syntetmaterial ska den relativa luftfuktigheten vara minst 30 %.
Elektrostatiska transienter/ pulsskurar IEC 61000-4-4	± 2 kV för elnätsledning; 100 kHz repetitionsfrekvens ± 1 kV för ledningar in/ut; 100 kHz repetitionsfrekvens	Kvaliteten på nätströmmen ska vara likvärdig med den i en typisk kommersiell miljö eller sjukhusmiljö.
Överspänning IEC 61000-4-5	± 1 kV ledning till ledning ± 2 kV ledning till jord	Kvaliteten på nätströmmen ska vara likvärdig med den i en typisk kommersiell miljö eller sjukhusmiljö.

Immunitetstest	Test / Nivå på överensstämmelse	Elektromagnetisk miljö – riktlinjer
Spänningsfall, korta avbrott och spänningsvariationer i elnätets ingångsledningar IEC 61000-4-11	< 0 % U_T för 0,5 cykel vid steg på 45° 0 % U_T för 1 cykel 70 % U_T för 25 / 30 cykler < 5 % U_T för 250 / 300 cykler	Kvaliteten på nätströmmen ska vara likvärdig med den i en typisk kommersiell miljö eller sjukhusmiljö. Om användaren av denna produkt behöver kontinuerlig användning under strömavbrott på elnätet, rekommenderas att produkten drivs från en UPS-enhet eller ett batteri. U_T är nätspänningen innan testnivån tillämpas.
Strömfrekvensens (50/60 Hz) magnetfält IEC 61000-4-8	30 A/m	Strömfrekvensens magnetfält ska vara på normala nivåer för en typisk placering i en typisk kommersiell miljö eller sjukhusmiljö.
Ledningsbunden RF IEC 61000-4-6	3 V 150 kHz till 80 MHz 6 V i banden för ISM- och amatörradio	Fältstyrkor från fasta sändare, t.ex. basstationer för radiotelefoner (mobila/trådlösa) och landmobilradio, amatörradio, AM- och FM-radiosändningar och TV-sändningar, kan inte med säkerhet förutsägas teoretiskt. För att utvärdera den elektromagnetiska miljön med avseende på fasta RF-sändare ska en elektromagnetisk platsundersökning övervägas. Om den uppmätta fältstyrkan på den plats där produkten används överskrider ovanstående tillämpliga nivåer för överensstämmelse med RF-krav, ska produkten observeras för att verifiera normal drift. Om onormala prestanda iakttas kan ytterligare åtgärder vara nödvändiga, såsom att produkten förflyttas eller vänds. Interferens kan förekomma i närheten av utrustning som är markerad med följande symbol: 
Utstrålad RF IEC 61000-4-3	10 V/m 80 MHz till 2,7 GHz För testspecifikationerna för 385 MHz–5785 MHz för integritet gentemot trådlös kommunikationsutrustning med RF, se tabell 9 i IEC 60601-1-2:2014	Bärbar och mobil kommunikationsutrustning med RF bör inte användas inom ett avstånd på 30 cm från någon del av denna produkt, inklusive kablar.



Dessa riktlinjer gäller kanske inte i alla situationer. Elektromagnetisk utbredning påverkas av absorption och reflektion från byggnader, föremål och människor.

Invacare Sales Companies

Danmark:

Invacare A/S
Sdr. Ringvej 37
DK-2605 Brøndby
Tel: (45) (0)36 90 00 00
Fax: (45) (0)36 90 00 01
denmark@invacare.com
www.invacare.dk

Nederland:

Invacare BV
Galvanistraat 14-3
NL-6716 AE Ede
Tel: (31) (0)318 695 757
Fax: (31) (0)318 695 758
nederland@invacare.com
www.invacare.nl

Norge:

Invacare AS
Grensesvingen 9, Postboks
6230, Etterstad
N-0603 Oslo
Tel: (47) (0)22 57 95 00
Fax: (47) (0)22 57 95 01
norway@invacare.com
www.invacare.no

Suomi:

Camp Mobility
Patamäenkatu 5, 33900
Tampere
Puhelin 09-35076310
info@campmobility.fi
www.campmobility.fi

Sverige:

Invacare AB
Fagerstagatan 9
S-163 53 Spånga
Tel: (46) (0)8 761 70 90
Fax: (46) (0)8 761 81 08
sweden@invacare.com
www.invacare.se



GDV Technology
Lundvej 24C
8800 Viborg
Denmark

