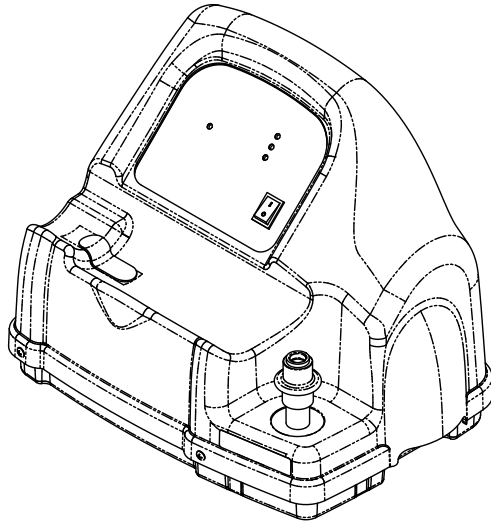


Invacare® HomeFill® II Oxygen System

Model IOH200AW

en	Compressor User Manual.....	3
da	Kompressor Brugsanvisning	35
fi	Kompressori Käyttöohje	69
no	Kompressor Bruksanvisning.....	101
sv	Kompressor Bruksanvisning.....	135



This manual **MUST** be given to the user of the product.
BEFORE using this product, read this manual and save for future reference.



Yes, you can.®

© 2017 Invacare Corporation

All rights reserved. Republication, duplication or modification in whole or in part is prohibited without prior written permission from Invacare. Trademarks are identified by ™ and ®. All trademarks are owned by or licensed to Invacare Corporation or its subsidiaries unless otherwise noted.

3-in-1 oil is a registered trademark of American Home Products Corporation.

WD-40 is a registered trademark of the WD-40 Company.

Updated versions of this manual are available on www.invacare.com.

Making Life's Experiences Possible is a registered trademark in the U.S.A.

Contents

This manual **MUST** be given to the user of the product.
BEFORE using this product, read this manual and save for future reference.

1 General	4
1.1 Symbols	4
1.2 Intended Use	5
1.3 Warranty	6
2 Safety	7
2.1 General Guidelines	7
2.2 Label Locations	10
2.3 Dealer Information	11
2.4 Double-Insulated Products	11
2.5 EMC Information	11
3 Setup	13
3.1 Unpacking	13
3.2 Compressor Initial Setup Checklist	13
3.3 Choosing a Location	14
3.4 Transporting the Compressor	15
3.5 Installing the Power Cord	15
3.6 Connecting the Compressor to the Concentrator	16
4 Usage	17
4.1 Compressor Operation Checklist	17
4.2 Cylinder Prefill Inspection	18
4.3 Connecting the Cylinder to the Compressor	20
4.4 Disconnecting the Cylinder from the Compressor	21
4.5 Turning the Compressor On and Off	22
5 Maintenance	24
5.1 Maintenance Info	24

5.2 Wear and Tear	24
5.3 Service Life	24
5.4 Cleaning the Compressor Filter	24
5.5 Cleaning the Cabinet	25
5.6 Replacing the Fuse	26
6 After Use	27
6.1 Disposal	27
7 Troubleshooting	28
7.1 Indicator Lights	28
7.2 Troubleshooting	29
8 Technical Data	32
8.1 Technical Description	32
8.2 Cylinder Fill Times	33
8.3 Specifications	33

I General

I.1 Symbols

Symbols in the Manual

Signal words are used in this manual and apply to hazards or unsafe practices which could result in personal injury or property damage. See the information below for definitions of the signal words.



DANGER!

– Danger indicates an imminently hazardous situation which, if not avoided, will result in death or serious injury.



WARNING!

– Warning indicates a potentially hazardous situation which, if not avoided, could result in death or serious injury.



CAUTION!

– Caution indicates a potentially hazardous situation which, if not avoided, may result in property damage or minor injury or both.



IMPORTANT

– Indicates a hazardous situation that could result in damage to property if it is not avoided.



Gives useful tips, recommendations and information for efficient, trouble-free use.

Symbols on the Product

The following symbols are found on the compressor, compressor packaging or the oxygen cylinder.



Read the Manual (Compressor)



The color of the symbol background is blue on product labels.



Read the Manual (Cylinder)



Electrical Hazard



Alternating Current



Type BF equipment — Applied Parts



Power switch “ON”



Power switch “OFF”



DO NOT smoke



No Open Flame



Class II, Double Insulation. Refer to Double Insulated products in the Safety section of the manual.



Keep dry in transport or storage and during use



Fuse



Oxidizer



The color of the symbol background is yellow on product labels.



Non-flammable gas, class 2 type (oxygen)



The color of the symbol background is green on product labels.



Transport and Storage Temperature



Transport and Storage Humidity



Recycle this product. Refer to Disposal of Equipment and Accessories in the After Use section of the manual.



This product complies with Directive 93/42/EEC concerning medical devices.

The launch date of this product is stated in the CE declaration of conformity.



European Representative



Manufacturer

I.2 Intended Use



WARNING!

- The use of this device is limited to refilling a specific patient's own oxygen cylinders. The designated cylinders **MUST** be used **ONLY** by the specific oxygen patient and are not to be distributed to any other individual for any purpose.
- No other use of this device is indicated.

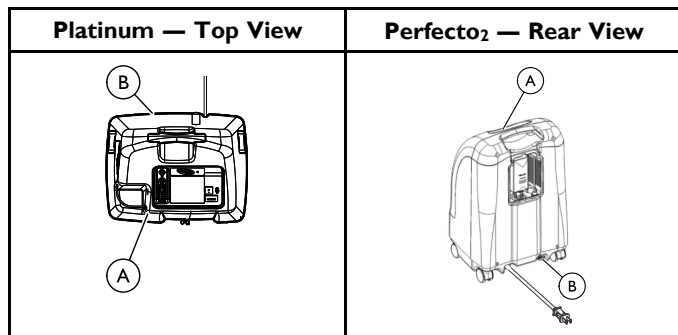


WARNING!

Risk of Death, Injury or Damage

- The Invacare HomeFill compressor was designed to be used only with Invacare oxygen concentrators. Use with other types of devices may cause injury, death or property damage.
- **DO NOT** use the Invacare HomeFill compressor with anything other than an Invacare oxygen concentrator.
 - Use only with specially designed Invacare oxygen concentrators that are HomeFill compatible.

To determine if your oxygen concentrator is HomeFill compatible, examine the lower right corner of the rear of the oxygen concentrator (A) for an outlet fitting (B).



The intended use of an Invacare HomeFill compressor is an accessory device to an Invacare oxygen concentrator that enables the patient to refill custom portable oxygen cylinders for personal use.

This product is intended for single patient use in the indoor homecare environment only and is not to be used for bulk cylinder refilling.

No specific product knowledge or training is required, other than what is contained in this manual, to operate the product.

It is not intended for supplying oxygen therapy during refilling.

This product is intended to be used by or under adult supervision only after reading and understanding the instructions and warnings of this user manual.

1.3 Warranty

Terms and conditions of the warranty are part of the general terms and conditions particular to the individual countries in which this product is sold.

2 Safety

2.1 General Guidelines



DANGER!

Risk Of Death, Injury, Or Damage

Improper use of the product may cause death, injury or damage. This section contains important information for the safe operation and use of this product.

- DO NOT use this product or any available optional equipment without first completely reading and understanding these instructions and any additional instructional material such as user manuals, service manuals or instruction sheets supplied with this product or optional equipment.
- If you are unable to understand the warnings, cautions or instructions, contact a healthcare professional, dealer or technical personnel before attempting to use this equipment.
- Check ALL external components and carton for damage. In case of damage, or if the product is not working correctly, contact a technician or Invacare for repair.
- In order to ensure the safe installation, assembly and operation of the HomeFill Compressor these instructions MUST be followed.
- THE INFORMATION IN THIS DOCUMENT IS SUBJECT TO CHANGE WITHOUT NOTICE.



DANGER!

Risk Of Death, Injury, Or Damage From Fire

Textiles, oil or petroleum substances, grease, greasy substances and other combustibles are easily ignited and burn with great intensity in oxygen enriched air and when in contact with oxygen under pressure. To avoid fire, death, injury or damage:

- DO NOT SMOKE while using this device.
- DO NOT use near OPEN FLAME or IGNITION SOURCES.
- DO NOT use any lubricants on the compressor unless recommended by Invacare.
- NO SMOKING signs should be prominently displayed.
- Avoid creation of any spark near oxygen equipment. This includes sparks from static electricity created by any type of friction.
- Keep all matches, lighted cigarettes or other sources of ignition out of the room in which this compressor is located and away from where oxygen is being delivered.
- Keep the oxygen tubing, cord, and compressor out from under such items as blankets, bed coverings, chair cushions, clothing, and away from heated or hot surfaces including space heaters, stoves, and similar electrical appliances.



DANGER!

Risk Of Death, Injury, Or Damage From Fire

Textiles, oil or petroleum substances, grease, greasy substances and other combustibles are easily ignited and burn with great intensity in oxygen enriched air and when in contact with oxygen under pressure. To avoid fire, death, injury or damage:

- DO NOT allow oil from your hands or other sources to come into contact with the compressor coupling or cylinder fittings. These substances may become flammable in the presence of oxygen and cause injury. Avoid touching the cylinder fitting whenever possible. Example of items to avoid are hand creams or lotions, cooking oils, suntan oils or sunblocks and similar oily products. If you use these types of products Invacare suggests you wash your hands prior to using the HomeFill unit. If the cylinder fitting should come in contact with such substances it should be cleaned off with a damp cloth prior to connecting it to the compressor.
- NEVER oil or lubricate the compressor coupler or cylinder fittings. NEVER use any penetrating oil or lubricant such as WD-40® or 3-in-1 Oil®. If connection difficulty is experienced verify that the cylinder fitting is being inserted straight down into the compressor coupler. If continued difficulty is experienced contact your supplier for assistance.



DANGER!

Risk of Electric Shock

This unit contains moving and high pressure components. There are no user serviceable parts inside the cover. To avoid electric shock, injury or death:

- DO NOT remove the cover.
- Refer servicing to qualified personnel.



WARNING!

Risk of Serious Injury or Damage

Use of non-Invacare accessories may result in serious injury or damage.

- Invacare products are specifically designed and manufactured for use in conjunction with Invacare accessories. Accessories designed by other manufacturers have not been tested by Invacare and are not recommended for use with Invacare products.
- DO NOT use non-Invacare accessories.
- To obtain Invacare accessories, contact Invacare by phone or at www.invacare.com



WARNING!

Risk of injury or damage

Blocking the air flow into and out of the compressor may cause injury or damage.

- NEVER block the air openings of the product or place it on a soft surface, such as a bed or couch, where the air opening may be blocked.
- Keep the openings free from lint, hair and similar foreign items.

**WARNING!****Risk of Injury or Damage**

A damaged product may malfunction and cause injury or damage. To avoid injury or damage:

- DO NOT get the compressor wet.
- If the compressor has a damaged cord or plug, if it is not working properly, if it has been dropped or damaged, or submersed in water, call a qualified technician for examination and repair.

**WARNING!****Risk of injury or damage**

The HomeFill is equipped with a high pressure relief valve to ensure the user's safety. When activated, this safety feature will make an extremely loud noise. To avoid injury or damage:

- If this noise occurs, turn the unit Off and contact your Home Health Care Provider or Service Representative.

**WARNING!**

- DO NOT use the compressor outdoors. Indoor use only.
- If any leakage of the oxygen cylinder is detected DO NOT attempt to use the cylinder. Turn the flow selector knob on the regulator to "Off". If leakage persists, place the cylinder outdoors and notify your Home Health Care Provider or Service Representative of this condition.
- Children should ALWAYS be supervised around the HomeFill unit. When used with the HomeFill table or similar elevated support surfaces, a child could pull over any such table causing the unit to fall. Failure to observe this warning may result in personal injury or product damage.

**WARNING!****Risk of injury or damage**

If improperly positioned and secured, the power cord and interconnect hose can cause injury due to tripping and falling. Product damage may also occur.

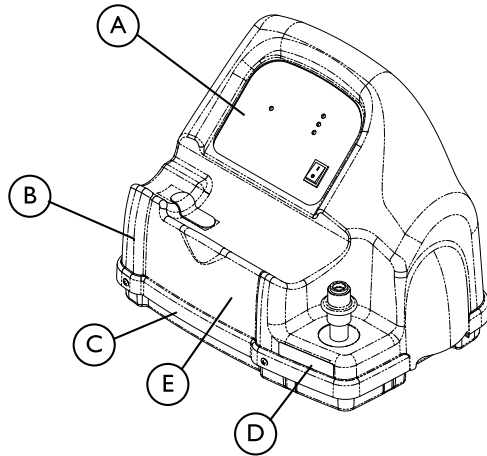
- The power cord and interconnect hose MUST be routed and secured properly.
- Avoid positioning power cords across areas of high traffic.
- Before moving or repositioning either the compressor or concentrator, ALWAYS disconnect the AC power cords and the interconnect hose between the compressor and concentrator.

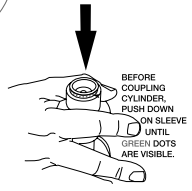
**CAUTION!**

Statutory law restricts this device sale to or on the order of a medical practitioner licensed by a governmental agency where he/she practices.

- ONLY a licensed medical practitioner may order the purchase or use of this device.

2.2 Label Locations



B	<p>⚠ DANGER Risk of Death, Injury or Damage from Fire Keep all connections free of oil and grease to avoid violent ignition. See user manual before cleaning. 1075220-D-00</p>
C	<p>⚠ DANGER Risk of Electric Shock DO NOT REMOVE UNIT COVER This unit contains moving and high pressure components. Manufacturer Service Only. 1075221-C-01</p>
D	<p>⚠ DANGER Risk of Death, Injury or Damage from Fire Keep all connections free of oil and grease to avoid violent ignition. See user manual before cleaning. Never oil or lubricate coupling. Cylinders filled on this unit MUST be labeled "Contents of this cylinder are the product of an oxygen concentrator." 1075238-D-00</p>
E	<p>⚠ DANGER</p> <p>Risk of Death, Injury or Damage from Fire Keep all connections free of oil and grease to avoid violent ignition. See user manual before cleaning. Never oil or lubricate coupling. Cylinders filled on this unit MUST be labeled "Contents of this cylinder are the product of an oxygen concentrator.".</p> <p>Risk of Electric Shock DO NOT REMOVE UNIT COVER This unit contains moving and high pressure components. Manufacturer Service Only.</p>  <p>BEFORE COUPLING CYLINDER, PUSH DOWN ON SLEEVE UNTIL GREEN DOTS ARE VISIBLE.</p> <p>1075238-D-00</p>

2.3 Dealer Information



Invacare recommends leaving a full cylinder of oxygen with the patient after setting up the HomeFill compressor.

Before leaving a HomeFill Compressor with a user, the following checklist **MUST** be completed:

- Make sure the pressure test on cylinder has not expired.
- Check the EMC section for operational information and possible RF issues. Refer to EMC Information.
- Instruct the user on the safe operation of the concentrator and review all warnings.
- Instruct the user on the safe operation of the HomeFill compressor and review all warnings.
- Leave a full cylinder of oxygen with the user.
- Leave a copy of all warnings and filling instructions with the user.

2.4 Double-Insulated Products



CAUTION!

– DO NOT unplug the power cord by pulling on the cord. To unplug, grasp the plug not the cord, otherwise damage may occur.

In a double-insulated product, two systems of insulation are provided instead of grounding. No grounding means is required on a double-insulated product, nor is a means for grounding to be added to the product. A double-insulated product is marked with the words “DOUBLE INSULATION” or “DOUBLE INSULATED” or the symbol:



2.5 EMC Information



WARNING!

Risk of Injury or Damage

To reduce the risk of injury or product damage from interference with wireless equipment:

- Keep the compressor at least 9.8 ft (3.0 m) away from wireless communication equipment such as wireless home network devices, mobile phones, cordless phones and base stations, walkie-talkies, etc.

Medical Electrical Equipment needs to be installed and used according to the EMC information in this manual.

This equipment has been tested and found to comply with EMC limits specified by IEC/EN 60601-1-2 for Type BF equipment. These limits are determined to provide reasonable protection against electromagnetic interference in a typical home healthcare environment. This equipment is not intended for use in a professional healthcare environment.

Portable and mobile RF communications equipment can affect the operation of this equipment. The compressor may be stacked on top on an Invacare HomeFill compatible oxygen concentrator during setup. The compressor operation should be observed to verify normal cylinder filling in either situation.

Other devices may experience interference from even the low levels of electromagnetic emissions permitted by the above standard. To determine if the emissions from the compressor are causing the interference, turn the compressor Off. If the interference with the other device operation stops, then the compressor is causing the interference. In such rare cases, interference may be reduced or corrected by one of the following measures:

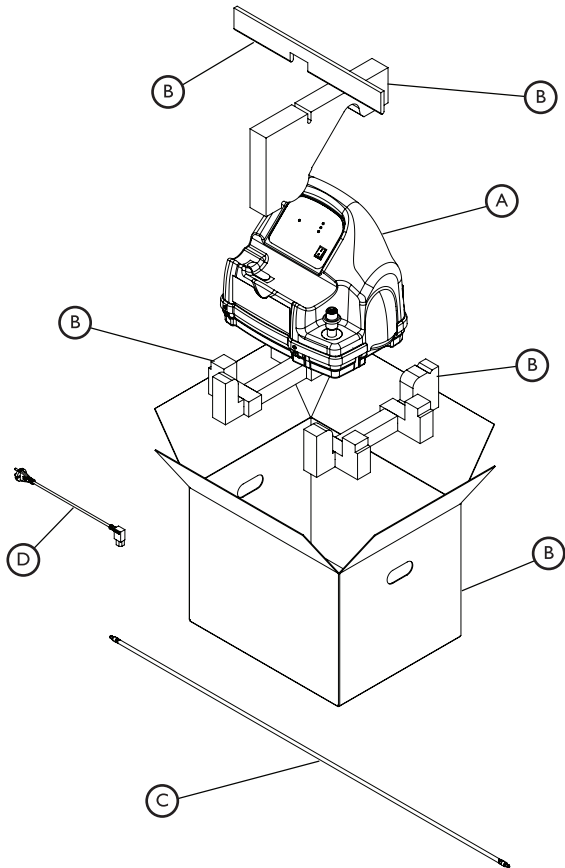
Invacare® HomeFill® II Oxygen System

- Reposition, relocate, or increase the separation between the devices.
- Connect either line powered device to a different electrical power circuit.

Contact Invacare for any additional EMC information or EMC tables for the device environment.

3 Setup

3.1 Unpacking



1195664-A

DESCRIPTION	
Compressor Assembly	A
Packaging Assembly	B
Supply Line Assembly	C
Power Cord	D
User Manual (not shown)	N/A

1. Check for any obvious damage to the carton or its contents. If damage is evident, notify the carrier, or your local dealer.
2. Remove all loose packing from the carton.
3. Carefully remove all of the components from the carton.



Unless the compressor is to be used IMMEDIATELY, leave the compressor in its packaging for storage until use of the compressor is required.

3.2 Compressor Initial Setup Checklist



Dealers ONLY — Refer to Dealer Information in the Safety section of this manual before performing this procedure.



Users ONLY — Contact your Invacare dealer or Invacare for assistance with the setup procedure and to report unexpected operation or events.

Before operating the HomeFill Compressor for the first time, complete the following checklist:

- Choose a location for the compressor.
- Transport the compressor to the desired location.
- Connect the power cord to the compressor.
- Connect the compressor to the concentrator.

3.3 Choosing a Location



DANGER!

Risk Of Death, Injury, Or Damage From Fire

Textiles, oil or petroleum substances, grease, greasy substances and other combustibles are easily ignited and burn with great intensity in oxygen enriched air and when in contact with oxygen under pressure. To avoid fire, death, injury or damage:

- DO NOT SMOKE while using this device.
- DO NOT use near OPEN FLAME or IGNITION SOURCES.
- DO NOT use any lubricants on the compressor unless recommended by Invacare.
- NO SMOKING signs should be prominently displayed.
- Avoid creation of any spark near oxygen equipment. This includes sparks from static electricity created by any type of friction.
- Keep all matches, lighted cigarettes or other sources of ignition out of the room in which this compressor is located and away from where oxygen is being delivered.
- Keep the oxygen tubing, cord, and compressor out from under such items as blankets, bed coverings, chair cushions, clothing, and away from heated or hot surfaces including space heaters, stoves, and similar electrical appliances.

The compressor should be at least three inches (7.6 cm) away from walls, draperies or furniture to ensure sufficient air flow.

Avoid placing the compressor next to heaters, radiators or hot air registers.

DO NOT use in a closet.

The compressor should sit on a hard flat stable surface, such as a table or the Ready Rack.



The HomeFill Ready Rack is sold separately and used to position the HomeFill compressor on top of a Perfecto₂ or Platinum oxygen concentrator. Refer to the HomeFill Ready Rack instruction sheet part numbers 1148363 and 1134824 for more information.

3.4 Transporting the Compressor



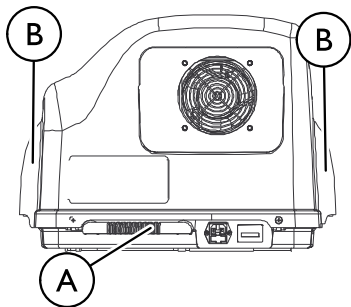
WARNING!

– NEVER transport a compressor with a cylinder connected to or stored on the compressor, otherwise injury or damage can occur.



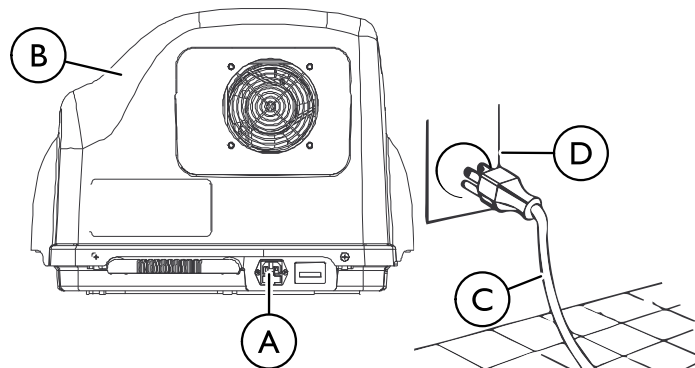
CAUTION!

– When transporting the compressor, be careful not to bump the compressor or the connectors into obstacles. Otherwise, damage to the compressor may occur.



- I. There are two methods to safely transport the compressor:
 - One Hand - Grasp the hand grip **A** at the bottom rear of the compressor.
 - Two Hands - Grasp the hand grips **B** on the sides of compressor.

3.5 Installing the Power Cord

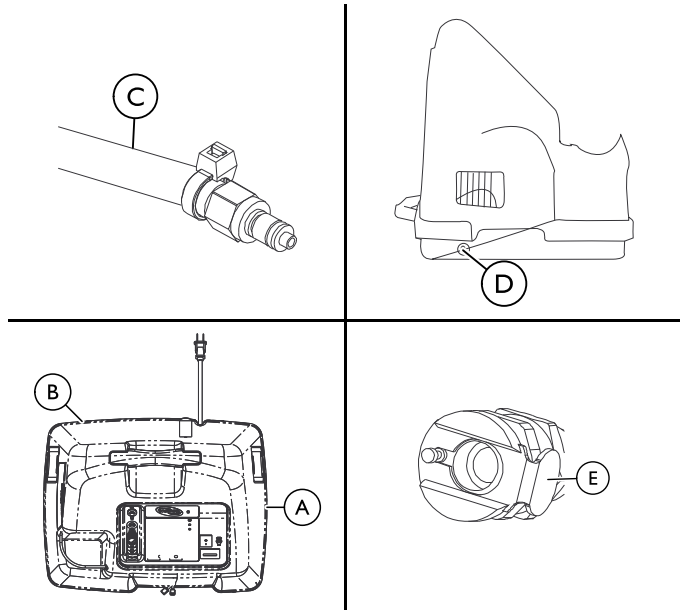


1. Choose a proper location. Refer to Choosing a Location in this section of the manual.
2. Make sure the power switch is in the Off (O) position.
3. Plug the power cord into the electric connector **A** in the back of the compressor **B**.
4. Plug the opposite end of the power cord **C** into the wall outlet **D**.
5. Leave a minimum of 3 in (7.6 cm) clearance to the power cord ends for disconnection access.



The power inlet acts as the mains disconnection device to remove all power to the unit when the line cord is disconnected.

3.6 Connecting the Compressor to the Concentrator



1. Insert one end of the interconnect hose (C) into the outlet fitting (B) on the back of the concentrator (A).
2. Insert the opposite end of the interconnect hose into the inlet fitting (D) on the side of the compressor.



The metal tabs (E) on the concentrator outlet fitting and the compressor inlet fitting will pop out with an audible “click” when the end of the interconnect hose is properly installed.

3. Loop any excess interconnect hose and secure to the back of the concentrator with the fastening straps.

4 Usage

4.1 Compressor Operation Checklist

Each time the HomeFill Compressor is used to fill a cylinder, complete the following checklist:

- Ensure the concentrator has been On for at least thirty minutes.
Refer to the concentrator User Manual.
- Perform the prefill inspection on the cylinder.
- Connect the cylinder to the compressor.
- Push the compressor power switch to the On (I) position.
- Examine the indicator lights on the control panel.
- Disconnect and remove the full cylinder.
- Push the compressor power switch to the Off (O) position.
- If filling another cylinder, repeat this checklist.

The Hydrostatic Testing Date

Aluminum cylinders **MUST** undergo testing every ten years.



WARNING!

Risk of Injury

To reduce the risk of injury:

- **DO NOT** fill cylinders that have not been tested in the past ten years. Otherwise, serious personal injury may result. Contact your dealer/Home Care equipment provider for replacement.

External Examination

1. Examine the outside of the cylinder for the following conditions, and replace the cylinder if they exist:
 - Dents or dings
 - Arc burns
 - Oil or grease
 - Any other signs of damage that might cause a cylinder to be unacceptable or unsafe for use.
2. Examine the cylinder for evidence of fire or thermal damage. Evidence includes charring or blistering of the paint, or other protective coating or heat sensitive indicator. If fire or thermal damage is found, replace the cylinder.
3. Inspect the cylinder/regulator assembly for the following and replace if found:
 - Debris, oil or grease
 - Noticeable signs of damage
 - Signs of corrosion inside the valve
 - Signs of excessive heat or fire damage

4.3 Connecting the Cylinder to the Compressor



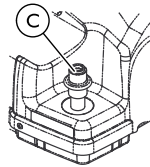
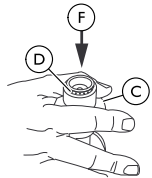
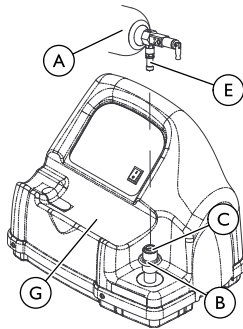
WARNING!

– NEVER use tools of any kind to connect/disconnect the cylinder and the compressor. Otherwise, severe injury and/or damage may occur.



WARNING!

– DO NOT drop oxygen cylinders. Use two hands when handling/transporting oxygen cylinders. Otherwise, injury or damage may occur.
– DO NOT use a liquid leak detector to test for leaks.



Fillport covers not shown for clarity.

1. Prior to each use, inspect product for visible damage. Refer to the External Examination section. DO NOT use if any damage is found.



If for any reason, any label becomes illegible or lost, contact your dealer/Home Care equipment provider.

2. Examine the cylinder gauge. If the cylinder pressure is less than 1500 psig (10342 kPa), proceed to STEP 3.



For location of the cylinder gauge, refer to the cylinder's manual.

If the cylinder pressure is **greater** than 1500 psig (10342 kPa), DO NOT attempt to top off this cylinder. It may not fill.

3. Set the regulator flow dial on the cylinder (A) to Off. Refer to the cylinder's manual.
4. Remove the cylinder and connector fillport covers (if present).
5. Momentarily push DOWN on the outer ring (sleeve) (B) of the connector fillport (C) until GREEN dots (D) are visible to reset the connector.



If the outer ring (sleeve) is in the UP position (GREEN dots not visible), the connector fillport will not be able to accept the cylinder fillport (E). Pushing DOWN (F) momentarily will reset the connector fillport (GREEN dots visible) to accept the cylinder fillport.

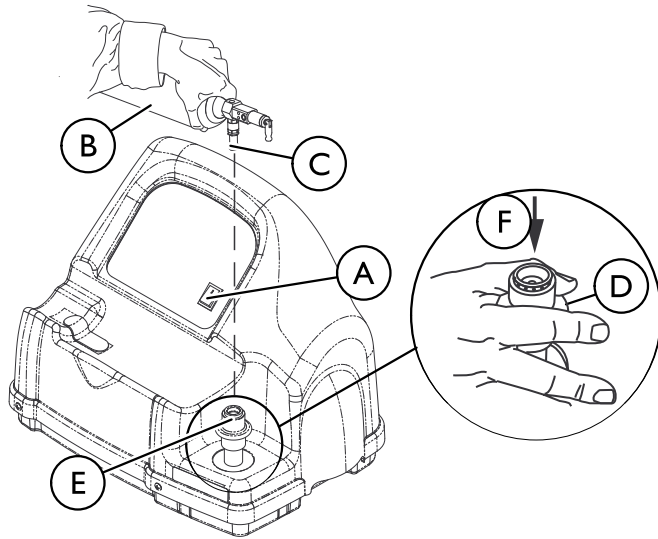
6. Grasp the cylinder in the area behind the cylinder fillport.
7. Position the cylinder in the compressor cradle (G).

8. Align the cylinder fillport with the connector fillport.
9. Pull UP on the outer ring (sleeve) of the connector fillport while pushing DOWN on the cylinder to couple the cylinder fillport into the connector fillport.



The cylinder is properly connected when an audible “click” is heard.

4.4 Disconnecting the Cylinder from the Compressor

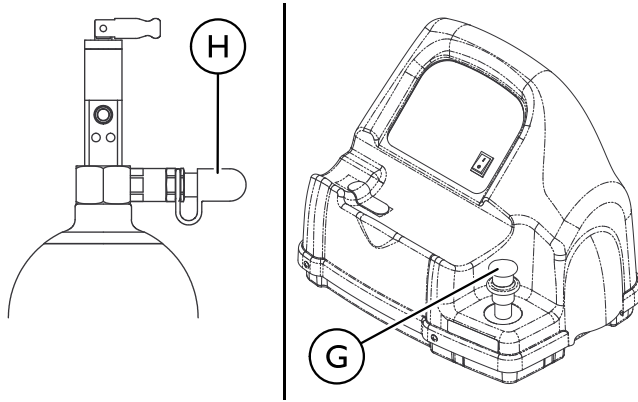


WARNING!

– NEVER use tools of any kind to connect/disconnect the cylinder and the compressor. Otherwise, severe injury and/or damage may occur.

1. Press the compressor power switch (A) to the Off (O) position.
2. Grasp the cylinder (B) in the area behind the cylinder fillport (C).
3. With the other hand, grasp the outer ring (sleeve) of the connector fillport (E) and push DOWN (F).
4. Lift up on the cylinder to remove from the connector fillport.

- When the cylinder fillport is disconnected from the connector fillport, release the outer ring (sleeve) of the connector fillport and use two hands to remove the cylinder from the compressor cradle.



WARNING!

– The fillport cover on the connector fillport and the cylinder fillport **MUST** be replaced after filling and whenever not in use. If either of the fillport covers are missing contact your healthcare provider before using.

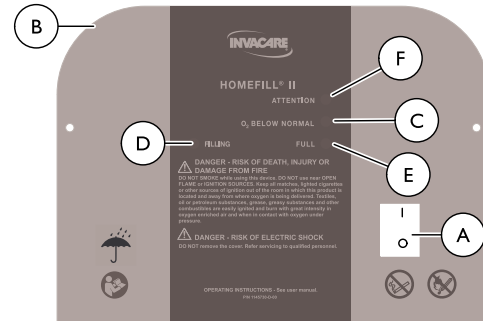
- Place the fillport covers onto the connector fillport (G) and cylinder fillport (H).




When using the post valve type cylinder, attach an oxygen regulator per manufacturers instructions.

- Examine the cylinder gauge to ensure cylinder is full (needle pointing into GREEN area). If the cylinder is not full, perform the following:
 - Repeat Connecting the Cylinder to the Compressor, in this section of the manual.
 - If cylinder is not full after second attempt to fill, contact the provider.


4.5 Turning the Compressor On and Off








1. Make sure the concentrator is On. Refer to the concentrator User Manual.


 The maximum oxygen concentrator flow rate for patient use is listed in the table below. Otherwise, the oxygen level to the compressor will be <90% and the compressor will not fill the cylinder.


Invacare Oxygen Concentrator	Maximum Output Flow for Patient Use
Platinum 5	2.5 L/min
Platinum 9	5 L/min
Perfecto ₂	2.5 L/min

 Patients with a higher prescribed flow should not refill a cylinder while receiving supplemental oxygen treatment from the oxygen concentrator.


2. Set the concentrator flow rate to the patient to 2.5 L/min or less for Platinum 5 and Perfecto₂ and 5 L/min or less for Platinum 9. Refer to the concentrator User Manual.
3. Make sure the cylinder is connected to the compressor. Refer to Connecting the Cylinder to the Compressor in this section of the manual.
4. Push the power switch  on the control panel to the On (I) position.

5. Examine the control panel . The following sequence of events should occur:
 - a. 0-3 minutes - The O₂ Below Normal (YELLOW) light  will be lit while the compressor warms up.
 - b. After three minutes - The FILLING (GREEN) light  will be on while the cylinder is filling.
 - c. The FULL (GREEN) light  will be on when the cylinder is finished filling. Proceed to STEP 6.

 The O₂ BELOW NORMAL (YELLOW) light may come on if the oxygen level from the concentrator has not yet reached or drops below 90%. The compressor will begin or resume filling when the oxygen level reaches 90%. If light does not go Off within 10 minutes, refer to Troubleshooting in this manual.

If the ATTENTION (RED) light and audible alarm  are on refer to Troubleshooting in this manual.

6. Remove the full cylinder. Refer to Disconnecting the cylinder from the Compressor in this section of the manual.
7. Push the power switch to the Off (O) position.

 For cylinder operation and use, refer to the specific user manual for the cylinder/regulator assembly.

5 Maintenance

5.1 Maintenance Info



DANGER!
Risk of Electric Shock

This unit contains moving and high pressure components. There are no user serviceable parts inside the cover. To avoid electric shock, injury or death:

- DO NOT remove the cover.
- Refer servicing to qualified personnel.



WARNING!

– Only the parts and procedures identified in this section are to be performed by the operator. All other parts and procedures are to be performed by a qualified technician.

5.2 Wear and Tear

Invacare reserves the right to ask for any item back that has an alleged defect in workmanship. See the warranty in this manual for specific warranty information.

Refer to the procedures in this User Manual for proper preventative maintenance schedule and use of the product.

This is just a general guideline and does not include items damaged due to abuse and misuse. Useful life is dependent upon many factors.

Normal wear and tear items and components for this product are listed below.

- All types of filters
- All types of tubing

5.3 Service Life



WARNING!
Risk of Injury or Damage

The product has been tested for the service life stated in this manual. Use of the product beyond this time period may cause injury or product damage.

- ONLY use the product for the service life stated in this manual. DO NOT exceed the service life of the product.
- Perform all maintenance according to the recommended schedule in this manual.

The expected service life of this product is 5 years or 5000 hours of operation when used in accordance with the safety instructions, maintenance intervals and correct use, stated in this manual. The effective service life can vary according to frequency and intensity of use. Maintenance should be done at least every week.

5.4 Cleaning the Compressor Filter



WARNING!

- Push the power switch to the Off (O) position and unplug the compressor before cleaning.
- DO NOT operate the compressor without the filter installed.

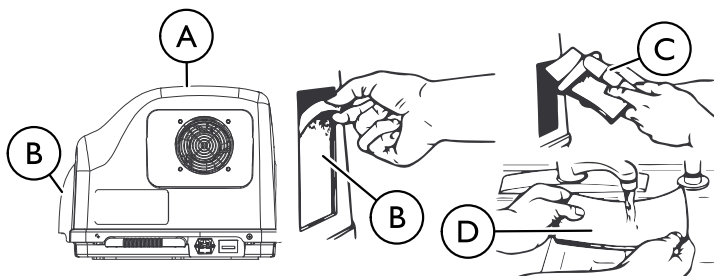


CAUTION!

- DO NOT unplug by pulling on cord. To unplug, grasp the plug not the cord, otherwise damage may occur.



All compressors have one filter on the back of the cabinet. Perform this procedure at least once a week.



1. Unplug the compressor Ⓐ. Grasp the plug not the cord.
2. Remove the filter Ⓑ.
3. Clean the filter with a vacuum cleaner Ⓒ or wash in warm soapy water and rinse thoroughly Ⓓ.
4. Dry the filter thoroughly before reinstallation.

5.5 Cleaning the Cabinet



DANGER!

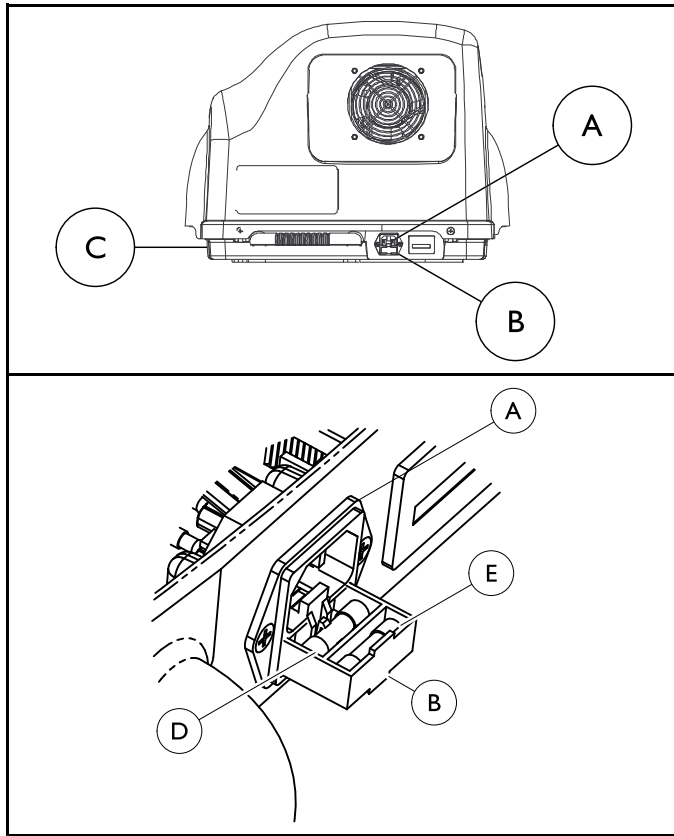
Risk of Electric Shock

This unit contains moving and high pressure components. There are no user serviceable parts inside the cover. To avoid electric shock, injury or death:


- DO NOT remove the cover.
- Refer servicing to qualified personnel.

1. Clean the cabinet with a mild household cleaner and non-abrasive cloth or sponge.


5.6 Replacing the Fuse



1. Unplug the power cord from the electrical outlet.
2. Remove the power cord from the power inlet (A) on the compressor base (C).
3. Pull out the fuse drawer (B) at the bottom of the power inlet.
4. Using a fuse puller or a small flat blade screw driver, remove the front fuse inside the fuse drawer and discard.

 The fuse drawer contains space for two fuses. The front location is for the operational fuse. The unit is supplied with the front fuse only. The rear location is for an optional spare fuse. When replacing the front fuse, ensure that there is a spare fuse with the same type and rating in the fuse drawer.

5. Install replacement fuse in front fuse (D) slot.

 Use a 5 mm x 20 mm, time lag, low breaking capacity, 250V, 2 Amp, IEC 60127 style only (Invacare part number 1099820).

6. Push fuse drawer back into the power inlet.
7. Install power cord into the power inlet on the compressor base.
8. Plug power cord into electrical outlet.
9. Turn the power switch to the On (I) position and check to see that the unit powers up properly.
10. If the unit does not come on, turn the power switch off, unplug the power cord, and call your dealer, provider or Invacare for service.

6 After Use

6.1 Disposal

This product has been supplied from an environmentally aware manufacturer that complies with the Waste Electrical and Electronic Equipment (WEEE) Directive 2012/19/EU.

This product may contain substances that could be harmful to the environment if disposed of in places (landfills) that are not appropriate according to legislation.

The 'crossed out wheelie bin' symbol is placed on this product to encourage you to recycle wherever possible.

Follow local governing ordinances and recycling plans regarding disposal of the device or components normally used in operation. The device does not generate waste or residue in operation. **DO NOT** dispose of the device in the normal waste stream. Any accessories not part of the device **MUST** be handled in accordance with the individual product marking for disposal.

Please be environmentally responsible and recycle this product at its end of life. Contact Invacare or your service provider for product recycling information.

7 Troubleshooting

7.1 Indicator Lights

Indicator Light Color	Compressor Status	Effect
None	Compressor is Off.	O ₂ flowing to user if concentrator is on.
O ₂ BELOW NORMAL - YELLOW	Compressor is On and warming up (0-3 minutes after power is On).	Cylinder filling not started.
		O ₂ flowing to user if concentrator is On.
	O ₂ from concentrator is < 90% (any time after three minute warmup).	Cylinder filling stops, will restart when O ₂ > 90%.
		O ₂ flowing to user if concentrator is On.
FILLING - GREEN	Compressor is On and cylinder is filling. O ₂ from concentrator is >90% (any time after three minute warmup).	Cylinder is filling.
		O ₂ flowing to user if concentrator is On.
FULL - GREEN	Compressor is On. Cylinder is finished filling (full) -remove cylinder (FULL light is On in >10 mins.)	Cylinder filling stops.
	or Cylinder is not attached properly - check connection (FULL light is On in <10 mins.).	Cannot fill another cylinder until compressor is turned Off and On again. O ₂ flowing to user if concentrator is On.
ATTENTION - RED (Audible Alarm)	Compressor is On. Cylinder NOT filling. Causes:	Compressor does not begin to fill or stops filling.
	Full cylinder attached when unit turned On - replace with empty cylinder	Unit must be turned Off and On before filling can occur.
	or Internal failure - contact dealer.	O ₂ flowing to user if concentrator is On.

7.2 Troubleshooting

Problem	Solution
No indicator lights on when compressor turned On.	<ol style="list-style-type: none"> 1. Turn compressor Off (O). 2. Check that power cord is properly plugged into compressor and wall outlet. 3. Turn the compressor On (I). 4. Clean air filters. Refer to Cleaning the Compressor Filter in the Maintenance section of the manual. 5. If performing Steps 1-4 does not cause any indicator lights to come on, contact your home health care provider or Invacare for service.
RED Light On	<ol style="list-style-type: none"> 1. Check the cylinder gauge to see if it is full: <ul style="list-style-type: none"> • Cylinder full - Remove the cylinder and turn the unit Off. Perform the Cylinder Prefill Inspection in the Usage section of the manual with a cylinder that is not full. • Cylinder not full - Proceed to Step 2. 2. Check that the cylinder is connected properly. <ul style="list-style-type: none"> • Turn the compressor Off (O). • Remove the cylinder and reinstall. • Turn the compressor On (I). If cylinder is not full and is connected properly, the compressor may have internal failure. Contact your home health care provider or Invacare.
Compressor cycles on and Off or O ₂ Below Normal (yellow) and filling (green) lights are alternating or O ₂ below normal (yellow) light goes On and Off	<ol style="list-style-type: none"> 1. Check the concentrator liter flow setting is at 2.5 L/min or less for Platinum 5 or Perfecto₂ concentrators or 5 L/min or less for Platinum 9 concentrators. If necessary, adjust the liter flow setting (refer to the concentrator User manual). Wait at least 20 minutes for the GREEN light to appear. If it does not appear, proceed to step 2. 2. The concentrator may need service, contact your home health care provider or Invacare.

Problem	Solution
O ₂ below normal (YELLOW) light stays On	<ol style="list-style-type: none"> 1. Ensure the concentrator has warmed up for at least 20 minutes. If it has not been 20 minutes, turn the compressor Off until the concentrator warms up. If the YELLOW light still remains on proceed to step 2. 2. Inspect the connection between the compressor and the concentrator for damage or pinching. <ul style="list-style-type: none"> • If damaged, replace. • If pinched, straighten tubing. Turn the compressor Off (O) for at least 10 seconds. Turn the compressor On (I). If the YELLOW light still remains on after 10 minutes, proceed to step 3. 3. The concentrator may need service, contact your home health care provider or Invacare.
Fill times exceed maximum as recommended fill times OR GREEN filling light stays On.	<ol style="list-style-type: none"> 1. Ensure the cylinder regulator is set to Off (O). 2. Check the recommended fill times shown in the individual cylinder's manual. 3. Check that the cylinder is connected properly. Turn the compressor Off (O). Remove the cylinder and reinstall. Turn the compressor On (I). 4. Check the compressor/concentrator line for proper connection and/or damage (i.e. - leaks or kinks). 5. Check the concentrator liter flow setting is at 2.5 L/min or less for Platinum 5 or Perfecto₂ concentrators or 5 L/min or less for Platinum 9 concentrators. If necessary, adjust the liter flow setting (refer to the concentrator User manual). If the GREEN filling light does not go Off, the compressor and/or concentrator may need service. Contact your home health care provider or Invacare.
Excessive noise when compressor is On	<ol style="list-style-type: none"> 1. Call home health care provider or Invacare for service.

Problem	Solution
Hissing sound from Regulator when flow selector is Off	<ol style="list-style-type: none"> 1. Turn flow selector Off. 2. If hissing sounds continue, call home health care provider or Invacare.
Regulator is On but O ₂ is not being delivered	<ol style="list-style-type: none"> 1. Refill cylinder 2. Check that cannula is straight and not pinched. If damaged, replace. 3. Call home health care provider or Invacare for service.



Refer to the cylinder's manual for proper fill times.

Filling times are approximate and may vary on environmental conditions.

8 Technical Data

8.1 Technical Description

The HomeFill II Oxygen System (IOH200AW) is an electro-mechanical prescription system for use in the home. Its intended function and use is to supply pressurized oxygen to fill Invacare proprietary gas cylinders for ambulatory use while the patient receives therapeutic oxygen from an oxygen concentrator. The IOH200AW gas system is designed for use with an Invacare oxygen concentrator with an integral HF2 accessory port that can supply a gas concentration greater than 90% O₂ around 2 L/min. while supplying a patient therapy flow rate.



The maximum oxygen concentrator flow rate for patient use is listed in the table below. Otherwise, the oxygen level to the compressor will be <90% and the compressor will not fill the cylinder.

Invacare Oxygen Concentrator	Maximum Output Flow for Patient Use
Platinum 5	2.5 L/min
Platinum 9	5 L/min
Perfecto ₂	2.5 L/min

The HomeFill II Oxygen system consists of IOH200AW gas compressor, connection tubing, and the Invacare supplied portable gas cylinders with the integral flow regulator and interlocking fill fitting.

The IOH200AW compressor consists of a multistage compressor, internal reservoir, control electronics with an integral oxygen concentration sensor, interlocking fill fitting, inlet fitting, and drive

motor. The compressor operation is controlled by the electronics assembly. The motor/compressor is allowed to fill a cylinder only when the oxygen concentration of the inlet gas stream is greater than 90% and the cylinder pressure is not already greater than 1500 PSI (10342 kPa). The motor/compressor fill operation is completed when the gas in a cylinder reaches the maximum fill pressure of 2000 PSI (13786 kPa).

The IOH200AW compressor can fill cylinders for portable use by ambulatory patients. The Invacare supplied portable gas cylinders have an interlocking fill fitting that mates only with the Invacare IOH200AW compressor assembly. The gas cylinder also contains an integral flow regulator with fixed, selectable flow settings.

8.2 Cylinder Fill Times

CYLINDER FILLING TIMES	Concentrator Flow Rate to Patient:	
	Platinum 5 up to 2.5 L/min. Perfecto ₂ up to 2.5 L/min. Platinum 9 up to 5 L/min.	
	HF2PCE9A	HF2PCE6A
NORMAL	2 hr 20 min	1 hr 25 min
MAXIMUM	2 hr 45 min	1 hr 50 min



All filling times are approximate and may vary on environmental conditions.

8.3 Specifications

Regulatory Listings:	EN/IEC 60601-1
	EN/IEC 60601-1-2
Electrical Ratings:	230 V~, 1.0 A, 50 Hz
Operating Environmental Conditions:	41 to 104° F (5 to 40° C) at 15 to 60% non-condensing humidity
Atmospheric Pressure:	700 to 1060 hPa
Storage and Transport:	-25 to 158° F (-23 to 70° C) at 15 to 95% non-condensing humidity.
Input Pressure Required:	14 - 21 psi (96.5 - 144.7 kPa)
Input Flow Required:	2 L/min
Input O ₂ % Required:	>90% O ₂
Width:	20 ¼ inches (51.44 cm)
Height:	15 inches (38.1 cm)
Depth:	16 inches (40.64 cm)
Weight:	33 lbs (14.97 kg)
Shipping Weight:	39 lbs (17.69 kg)
Max Applied Part Temperature	122° F (50° C)

Notes

Indholdsfortegnelse

Denne vejledning skal overdrages til slutbrugeren. Før du benytter dette produkt, skal du læse denne vejledning, og du bør opbevare den til senere brug.

1 Generelt	36
1.1 Symboler	36
1.2 Tiltænkt brug	37
1.3 Garanti	38
2 Sikkerhed	39
2.1 Generelle retningslinjer	39
2.2 Placering af mærkater	42
2.3 Forhandleroplysninger	43
2.4 Produkter med dobbelt isolering	43
2.5 EMC-oplysninger	43
3 Udpakning	45
3.1 Udpakning	45
3.2 Tjekliste for første opsætning af kompressor	45
3.3 Valg af placering	46
3.4 Transport af kompressoren	47
3.5 Montering af strømledningen	47
3.6 Tilslutning af kompressoren til koncentratoren	48
4 Brug	49
4.1 Tjekliste for kompressorbetjening	49
4.2 Kontrol før påfyldning af iltflaske	50
4.3 Tilslutning af flasken til kompressoren	52
4.4 Frakobling af iltflasken fra kompressoren	53
4.5 Sådan tændes og slukkes kompressoren	55
5 Vedligeholdelse	57
5.1 Vedligeholdelsesoplysninger	57

5.2 Slitage	57
5.3 Servicelevetid	57
5.4 Rensning af kompressorfilteret	57
5.5 Rengøring af huset	58
5.6 Udskiftning af sikringen	59
6 Efter brug	60
6.1 Bortskaffelse	60
7 Fejlfinding	61
7.1 Indikatorlamper	61
7.2 Fejlfinding	63
8 Tekniske data	66
8.1 Teknisk beskrivelse	66
8.2 Iltflaskens påfyldningstider	67
8.3 Specifikationer	67

I Generelt

I.1 Symboler

Symboler i manualen

I denne manual anvendes nedenstående symboler til angivelse af faresituationer eller u hensigtsmæssig anvendelse, som kan medføre person- eller produktskader. Se oplysningerne nedenfor for at få en definition af symbolerne.



FARE!

– "Fare" angiver en farlig situation, som, hvis den ikke undgås, vil resultere i dødsfald eller alvorlig kvæstelse.



ADVARSEL!

– "Advarsel" angiver en potentielt farlig situation, som, hvis den ikke undgås, kan resultere i dødsfald eller alvorlig kvæstelse.



FORSIGTIG!

– "Forsigtig" angiver en potentielt farlig situation, som, hvis den ikke undgås, kan resultere i tingskade og/eller mindre kvæstelser.



VIGTIGT

– Angiver en potentielt farlig situation, som, hvis den ikke undgås, kan resultere i beskadigelse af ejendom.



Giver nyttige tips, anbefalinger og oplysninger, der sikrer en effektiv, problemfri anvendelse.

Symboler på produktet

Følgende symboler finder på kompressoren, kompressoremballagen eller iltflasken.



Læs brugsanvisningen (kompressor)



Farven på symbolbaggrunden er blå på produktmærkater.



Læs brugsanvisningen (iltflaske)



Fare for elektrisk stød



Vekselstrøm



BF-udstyrstype – anvendte dele



Tænd/sluk-kontakt "TÆNDT"



Tænd/sluk-kontakt "SLUKKET"



UNDLAD at ryge



Ingen åben ild



Klasse II, dobbelt isolering. Se Dobbelt isolerede produkter i afsnittet Sikkerhed i manualen.



Holdes tør under transport eller opbevaring og under brug



Sikring



Iltningsmiddel



Farven på symbolbaggrunden er gul på produktmærkater.



Ikke-brandbar gas, klasse 2 type (ilt)



Farven på symbolbaggrunden er grøn på produktmærkater.



Transport- og opbevaringstemperatur



Transport- og opbevaringsfugtighed



Genbrug dette produkt. Se Bortskaffelse af udstyr og tilbehør i afsnittet Efter brug i manualen.



Dette produkt overholder EU-direktivet 93/42/EØF om medicinsk udstyr.

Lanceringsdatoen for dette produkt fremgår af CE-overensstemmelseserklæringen.



Europæisk forhandler



Producent

I.2 Tiltænkt brug



ADVARSEL!

- Anvendelsen af dette udstyr er begrænset til genopfyldning af en bestemt patients egne iltflasker. De særlige iltflasker MÅ KUN anvendes af den pågældende iltkrævende patient og må ikke videregives til nogen anden person til noget som helst formål.
- Apparatet må ikke anvendes til andre formål.



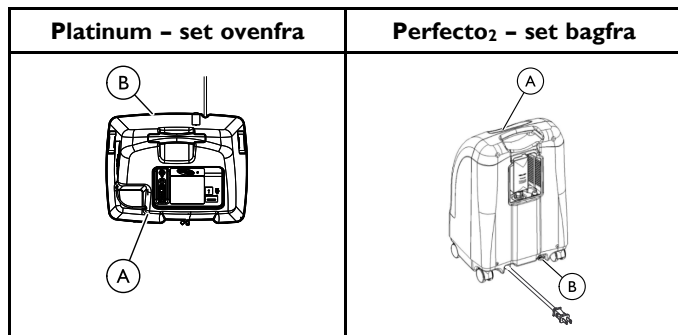
ADVARSEL!

Risiko for dødsfald, alvorlig kvæstelse eller beskadigelse

Invacare HomeFill-kompressoren er særligt konstrueret til anvendelse sammen med Invacare iltkoncentratorer. Hvis den bruges sammen med andre typer enheder, kan det medføre dødsfald, alvorlig kvæstelse eller beskadigelse.

- Brug KUN Invacare HomeFill-kompressoren sammen med en Invacare iltkoncentrator.
- Anvend kun særligt designede Invacare iltkoncentratorer, der er HomeFill-kompatible.

Kontrollér, om din iltkoncentrator er kompatibel med HomeFill, ved at undersøge nederste højre hjørne bag på iltkoncentrator **(A)** for udtag **(B)**.



Invacare HomeFill-kompressoren er beregnet til anvendelse som tilbehør til en Invacare iltkoncentrator, der giver patienten mulighed for at genfylde særligt tilpassede mobile iltflasker til personlig brug.

Dette produkt er udelukkende beregnet til indendørs brug til én patient i et hjemmeplejemiljø og må ikke anvendes til påfyldning af flasker i større mængder.

Brug af dette produkt kræver ikke nogen form for specifik produktkendskab eller oplæring ud over det, der indgår i denne brugsanvisning.

Det er ikke beregnet til ilttilførsel under opfyldning.

Produktet er beregnet til brug af voksne eller under voksnes opsyn, men først efter brugeren har læst og forstået anvisningerne og advarselerne i denne brugsanvisning.

1.3 Garanti

Garantivilkår og -betingelser indgår i vores generelle vilkår og betingelser, der gælder specifikt for de respektive lande, hvor produktet sælges.

2 Sikkerhed

2.1 Generelle retningslinjer



FARE!

Risiko for død, alvorlig kvæstelse eller beskadigelse

Forkert brug af produktet kan medføre død, alvorlig kvæstelse eller beskadigelse. Dette afsnit indeholder vigtige oplysninger vedrørende en sikker betjening og brug af produktet.

- UNDLAD at bruge dette produkt eller nogen former for ekstraudstyr uden først at have læst og forstået denne vejledning og andet instruktionsmateriale, f.eks. brugsanvisninger, servicemanualer eller instruktionsblade, der leveres sammen med dette produkt eller ekstraudstyret.
- Hvis du ikke kan forstå advarslerne, forsigtighedshenvisningerne eller anvisningerne, bedes du kontakte en behandler, forhandler eller et depot, inden du forsøger at tage produktet i brug.
- Kontrollér ALLE eksterne komponenter og kartoner for skader. Ved beskadigelse eller hvis produktet ikke fungerer korrekt, skal du kontakte en servicetekniker eller Invacare med henblik på reparation.
- Denne vejledning SKAL følges for at sikre korrekt og sikker installation, samling og betjening af HomeFill-kompressoren.
- OPLYSNINGERNE I DETTE DOKUMENT KAN ÆNDRES UDEN FORUDGÅENDE VARSEL.



FARE!

Risiko for død, alvorlig kvæstelse eller beskadigelse på grund af brand

Tekstiler, olie eller oliestoffer, fedt eller fedtstoffer og andre brændbare stoffer antændes nemt og brænder meget kraftigt i iltberiget luft og ved kontakt med ilt under tryk. Sådan undgås brand, død, alvorlig kvæstelse eller beskadigelse:

- RYGNING ER IKKE TILLADT, mens enheden er i brug.
- MÅ IKKE bruges i nærheden af ÅBEN ILD eller ANTÆNDINGSKILDER.
- UNDLAD at bruge smøremidler på kompressoren, medmindre dette anbefales af Invacare.
- Der skal være tydelige RYGNING FORBUDT-skilte.
- Undgå dannelse af gnister i nærheden af iltudstyr. Dette omfatter gnister fra statisk elektricitet opstået ved enhver form for friktion.
- Hold alle tændstikker, tændte cigaretter eller andre antændingskilder ude af det rum, hvor kompressoren står, og på afstand af det sted, hvor ilten leveres.
- Sørg for, at iltslangerne, ledningen og kompressoren ikke befinder sig under genstande som tæpper, sengetæpper, sædepuder og tøj, og hold dem væk fra opvarmede eller varme overflader, herunder varmeapparater, brændeovne og lignende elektriske apparater.



FARE!

Risiko for død, alvorlig kvæstelse eller beskadigelse på grund af brand

Tekstiler, olie eller oliestoffer, fedt eller fedtstoffer og andre brændbare stoffer antændes nemt og brænder meget kraftigt i iltberiget luft og ved kontakt med ilt under tryk. Sådan undgås brand, død, alvorlig kvæstelse eller beskadigelse:

- LAD IKKE olie fra dine hænder eller andre kilder komme i kontakt med kompressorkoblingen eller flaskesættets fittings. Disse stoffer kan blive brandbare ved tilstedeværelse af ilt, hvilket kan medføre personskeade. Undgå om muligt at berøre flaskesættets fittings. Undgå f.eks. brug af håndcremer eller lotions, madlavningssolier, sololie eller solcreme og lignende olieholdige produkter. Hvis du bruger disse typer af produkter, foreslår Invacare, at du vasker dine hænder inden brug af HomeFill-enheden. Hvis flaskesættets fittings kommer i kontakt med sådanne stoffer, skal det rengøres med en fugtig klud, før det sluttes til kompressoren.
- Smør ALDRIG olie eller fedt på kompressorkoblingen eller iltflaskens fittings. Brug ALDRIG olie eller smørefedt, der trænger ind, f.eks. WD-40® eller 3-in-1 Oil®. Tjek, at iltflaskens påfyldningsstuds føres lige ind i kompressorens fitting, hvis du har problemer med tilslutningen. Kontakt din leverandør for at få hjælp, hvis du stadig har problemer.



FARE!

Risiko for elektrisk stød

Denne enhed indeholder komponenter, som er i bevægelse og under højt tryk. Der er ingen dele, som brugeren selv kan udføre service på, indeni. Sådan undgås personskeade eller død som følge af elektrisk stød:

- Afdækningen må IKKE afmonteres.
- Lad en autoriseret tekniker foretage service.



ADVARSEL!

Risiko for alvorlig kvæstelse eller materielskeade
Brug af uoriginalt tilbehør kan medføre alvorlig kvæstelse eller materielskeade.

- Invacares produkter er udviklet og fremstillet specifikt til brug sammen med tilbehør fra Invacare. Tilbehør, der er udviklet af andre producenter, er ikke blevet testet af Invacare og kan ikke anbefales til brug sammen med Invacares produkter.
- Der MÅ IKKE bruges uoriginalt tilbehør.
- Det er muligt at bestille Invacare-tilbehør ved at kontakte Invacare via telefon eller på www.invacare.com



ADVARSEL!

Risiko for personskeade eller beskadigelse

Hvis luftflowet ind og ud af kompressoren blokeres, kan det medføre personskeade eller beskadigelse.

- UNDLAD at blokere produktets luftåbninger eller at stille produktet på en blød overflade, f.eks. en seng eller sofa, hvor luftåbningerne kan blive blokeret.
- Sørg for at fjerne fnuller, hår og lignende fra åbningerne.

**ADVARSEL!****Skaderisiko eller risiko for beskadigelse**

Et beskadiget produkt kan resultere i fejl og medføre personskade eller materiel skade. Sådan undgås personskade eller materiel skade:

- Kompressoren MÅ IKKE blive våd.
- Kontakt en kvalificeret tekniker med henblik på undersøgelse og reparation, hvis en reparation er påkrævet, hvis kompressorens ledning eller stik er beskadiget, hvis kompressoren ikke virker korrekt, har været tabt eller er blevet beskadiget eller har været nedsænket i vand.

**ADVARSEL!**

- Brug IKKE kompressoren udendørs. Kun til indendørs brug.
- UNDLAD at bruge iltflasken, hvis der konstateres lækager. Drej regulatorens flowvælgerkontakt til "Slukket". Hvis der fortsat er en lækage, anbringes flasken udenfor, og derefter underrettes hjemmesundhedsudbyderen eller servicerrådgiveren om denne tilstand.
- Børn skal ALTID være under opsyn, når de opholder sig i nærheden af HomeFill-enheden. Når enheden anvendes sammen med HomeFill-bordet eller lignende hævede støtteflader, kan et barn ved et uheld vælte bordet og dermed enheden. Manglende overholdelse af denne advarsel kan medføre person- eller produktskade.

**ADVARSEL!****Risiko for personskade eller beskadigelse**

HomeFill er forsynet med en højtrykssikkerhedsventil for at øge brugerens sikkerhed. Når den aktiveres, udsender denne sikkerhedsforanstaltning en ekstremt høj lyd. Sådan undgås personskade eller materiel skade:

- Hvis denne støj høres, slukkes enheden, og derefter underrettes hjemmesundhedsudbyderen eller servicerrådgiveren.

**ADVARSEL!****Risiko for personskade eller beskadigelse**

Strømledningen og sammenkoblingsslangen kan medføre personskade som følge af fald, hvis de ikke er placeret og fastgjort korrekt. Der kan også opstå produktskade.

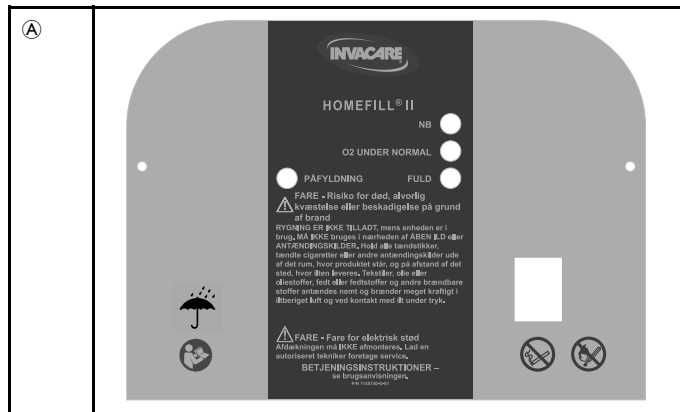
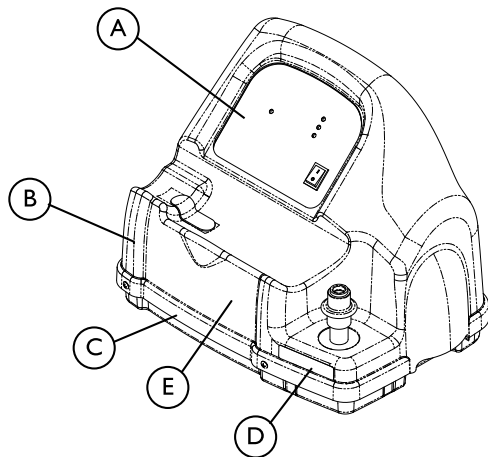
- Strømledningen og sammenkoblingsslangen SKAL føres og fastgøres korrekt.
- Undgå at placere strømledninger på tværs af områder med megen bevægelse.
- Før kompressoren eller koncentratoren bevæges eller flyttes, skal AC-strømledningerne ALTID trækkes ud af stikkontakten, og sammenkoblingsslangen mellem kompressoren og koncentratoren skal afmonteres.

**FORSIGTIG!**

Lovgivningen indeholder begrænsende bestemmelser, som gør, at dette udstyr udelukkende må sælges til eller efter henvisning fra en læge, der er licenseret i henhold til den offentlige myndighed, hvor han eller hun praktiserer.

- Dette udstyr må UDELUKKENDE købes eller bruges efter henvisning fra en licenseret læge.

2.2 Placering af mærkater



B	<p>⚠ DANGER Risk of Death, Injury or Damage from Fire Keep all connections free of oil and grease to avoid violent ignition. See user manual before cleaning. 1075220-D-00</p>
C	<p>⚠ DANGER Risk of Electric Shock DO NOT REMOVE UNIT COVER This unit contains moving and high pressure components. Manufacturer Service Only. 1075221-C-01</p>
D	<p>⚠ DANGER Risk of Death, Injury or Damage from Fire Keep all connections free of oil and grease to avoid violent ignition. See user manual before cleaning. Never oil or lubricate coupling. Cylinders filled on this unit MUST be labeled "Contents of this cylinder are the product of an oxygen concentrator." 1075238-D-00</p>
E	<p>⚠ FARE Risiko for død, alvorlig kvæstelse eller beskadigelse på grund af brand Hold alle tilkoblinger fri for olie og smørefedt for at undgå en vedvarende antændelse. Se brugsanvisning for rengøring. Smør aldrig olie eller fedt på koblingen. ⚠Forsik, der trykkes på denne enhed, SKAL være mærket "Indholdet i denne flaske kommer fra en #koncentrator". Fare for elektrisk stød UNDLAD AT AFMONTRE AFDÆKNINGEN Denne enhed indeholder komponenter, som er i bevægelse og under højt tryk. Må kun serviceres af producenten.</p> <p>FØR TILKOBLING AF ILTFLASKEN SKAL DER TRYKES NED PÅ BØSNINGEN, INDTIL DE GRØNNE PRIKKER ER SYNLIGE.</p> <p>114807-D-01</p>

2.3 Forhandleroplysninger



Invacare anbefaler, at der placeres en fuld iltflaske hos patienten, når HomeFill-kompressoren er sat op.

Før en HomeFill-kompressor overlades til en bruger, SKAL følgende tjekliste gennemgås:

- Sørg for, at trykprøvningen på flasken ikke er udløbet.
- Du kan finde yderligere oplysninger om betjening og RF-fejl i EMC-afsnittet. Se EMC-oplysninger.
- Instruer brugeren i sikker betjening af koncentratoren, og gennemgå alle advarsler.
- Instruer brugeren i sikker betjening af HomeFill-kompressoren, og gennemgå alle advarsler.
- Placer en fuld iltflaske hos brugeren.
- Aflever en oversigt over alle advarsler samt påfyldningsinstruktioner til brugeren.

2.4 Produkter med dobbelt isolering



FORSIGTIG!

– Træk IKKE strømledningen ud af stikkontakten ved at trække i ledningen. Træk i stikket og ikke i ledningen, da dette kan forårsage skade.

I et produkt med dobbelt isolering er der to isolationssystemer i stedet for udtag med jord. Der er ikke krav om udtag med jord i et produkt med dobbelt isolering, og der er heller ikke krav om, at der skal føjes jordforbindelse til produktet. Et produkt med dobbelt isolering er markeret med ordene "DOBBELT ISOLERING" ELLER "DOBBELT ISOLERET" eller symbolet:



2.5 EMC-oplysninger



ADVARSEL!

Skaderisiko eller risiko for beskadigelse

Sådan reduceres risikoen for personskade eller beskadigelse af produktet på grund af interferens med trådløst udstyr:

- Hold kompressoren mindst 9,8 fod (3,0 m) væk fra trådløs kommunikation, f.eks. trådløse netværksenheder i hjemmet, mobiltelefoner, trådløse telefoner og deres basestationer eller walkie-talkies osv.

Elektromedicinsk udstyr skal installeres og anvendes i overensstemmelse med oplysningerne om elektromagnetisk kompatibilitet (EMC) i denne brugsanvisning.

Dette udstyr er testet og fundet i overensstemmelse med de tilladte grænser for elektromagnetisk kompatibilitet i henhold til IEC/EN 60601-1-2 for udstyr af typen BF. Disse begrænsninger skal sikre rimelig beskyttelse mod elektromagnetisk interferens i et typisk hjemmesundhedsmiljø. Udstyret er ikke beregnet til anvendelse i et professionelt sundhedsmiljø.

Bærbart og mobilt RF-kommunikationsudstyr kan påvirke funktionen af dette udstyr. Kompressoren kan placeres oven på en Invacare HomeFill-kompatibel iltkoncentrator under opsætning. Kompressorens funktion skal kontrolleres for at sikre, at flasken opfyldes normalt i alle situationer.

Ved andre apparater kan der forekomme interferens selv fra de lave niveauer for elektromagnetiske emissioner, der er tilladt i henhold til ovennævnte standard. For at afgøre, om det er emissionerne fra kompressoren, der forårsager interferensen, slukkes kompressoren. Hvis interferensen med det andet udstyr ophører, er

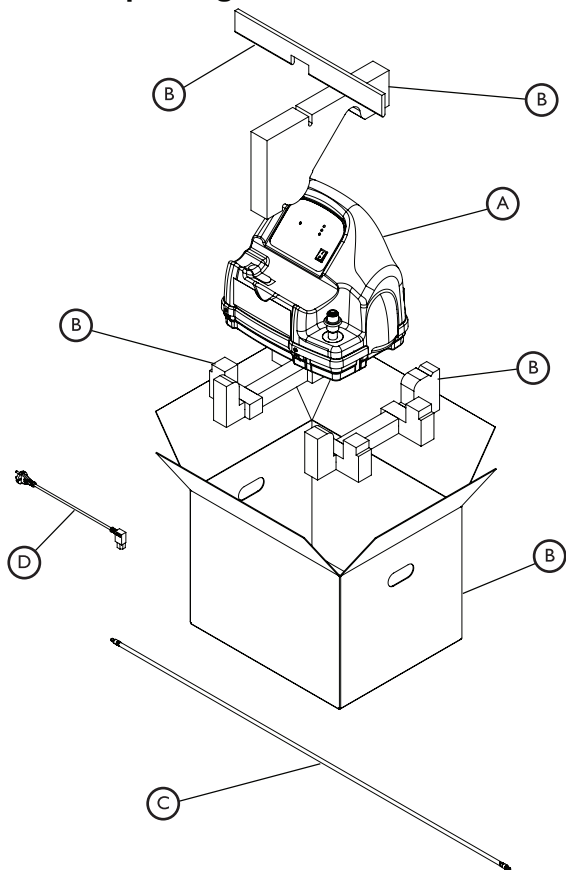
det kompressoren, der er årsag til interferensen. I sådanne sjældne tilfælde kan interferensen reduceres eller afhjælpes på en af følgende måder:

- Placer apparaterne anderledes, flyt dem eller øg afstanden mellem dem.
- Slut en af apparaterne til et andet elektrisk kredsløb.

Kontakt Invacare for yderligere oplysninger om eller tabeller over elektromagnetisk kompatibilitet (EMC) i apparatets miljø.

3 Udpakning

3.1 Udpakning



1195664-A

BESKRIVELSE	
Kompressorenhed	A
Emballageenhed	B
Strømforsyningsenhed	C
Strømledning	D
Brugsanvisning (ikke vist)	N/A

1. Kontrollér kassen og indholdet for synlige skader. Hvis der er synlige skader, underrettes fragtmanden eller din lokale forhandler.
2. Fjern al løs emballage fra kassen.
3. Fjern omhyggeligt alle delene fra kassen.



Medmindre kompressoren STRAKS skal i brug, opbevares den i den originale emballage, indtil den skal tages i brug.

3.2 Tjekliste for første opsætning af kompressor



KUN forhandlere – se forhandleroplysningerne i afsnittet Sikkerhed i denne manual, inden denne procedure gennemføres.



KUN brugere – kontakt din Invacare-forhandler eller Invacare for at få hjælp til opsætningsproceduren og for at rapportere uventede funktionsfejl eller hændelser.

Gennemgå følgende tjekliste, før HomeFill-kompressoren tages i brug for første gang:

- Vælg en placering til kompressoren.
- Transporter kompressoren til den ønskede placering.
- Slut strømledningen til kompressoren.
- Slut kompressoren til koncentratoren.

3.3 Valg af placering



FARE!

Risiko for død, alvorlig kvæstelse eller beskadigelse på grund af brand

Tekstiler, olie eller oliestoffer, fedt eller fedtstoffer og andre brændbare stoffer antændes nemt og brænder meget kraftigt i iltberiget luft og ved kontakt med ilt under tryk. Sådan undgås brand, død, alvorlig kvæstelse eller beskadigelse:

- RYGNING ER IKKE TILLADT, mens enheden er i brug.
- MÅ IKKE bruges i nærheden af ÅBEN ILD eller ANTÆNDINGSKILDER.
- UNDLAD at bruge smøremidler på kompressoren, medmindre dette anbefales af Invacare.
- Der skal være tydelige RYGNING FORBUDT-skilte.
- Undgå dannelse af gnister i nærheden af iltudstyr. Dette omfatter gnister fra statisk elektricitet opstået ved enhver form for friktion.
- Hold alle tændstikker, tændte cigaretter eller andre antændingskilder ude af det rum, hvor kompressoren står, og på afstand af det sted, hvor ilten leveres.
- Sørg for, at iltslangerne, ledningen og kompressoren ikke befinder sig under genstande som tæpper, sengetæpper, sædepuder og tøj, og hold dem væk fra opvarmede eller varme overflader, herunder varmeapparater, brændeovne og lignende elektriske apparater.

Kompressoren skal placeres mindst tre tommer (7,6 cm) fra vægge, gardiner eller møbler for at sikre tilstrækkelig luftcirkulation.

Undgå at placere kompressoren ud for varmeapparater, radiatorer og varmeriste.

Må IKKE anvendes i et skab.

Kompressoren skal placeres på et hårdt, fladt og stabilt underlag, f.eks. et bord eller Ready Rack.



HomeFill Ready Rack sælges separat og anvendes til at placere HomeFill-kompressoren øverst på en Perfecto₂- eller en Platinum-iltkoncentrator. Du finder yderligere oplysninger på brugervejledning til HomeFill Ready Rack, delnumre I148363 og I134824.

3.4 Transport af kompressoren



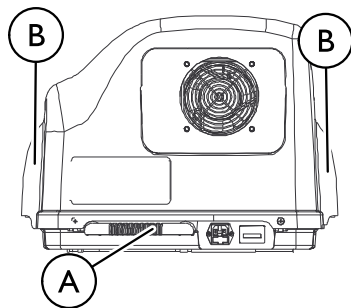
ADVARSEL!

– UNDLAD at transportere en kompressor med en flaske sluttet til eller opbevaret på kompressoren, da der er risiko for personskade eller materiel skade.



FORSIGTIG!

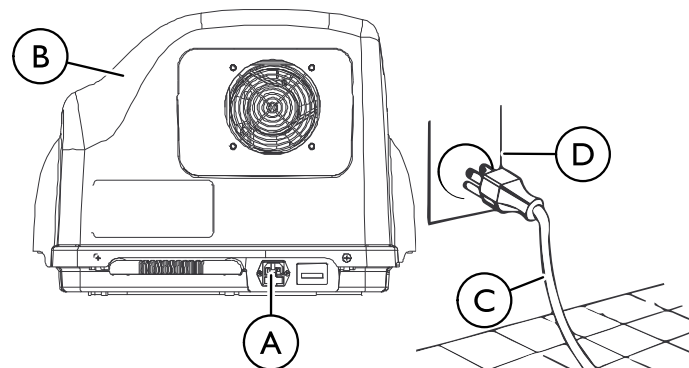
– Sørg for ikke at støde ind i forhindringer med kompressoren eller kompressorens tilslutninger under transporten. Dette kan medføre beskadigelse af kompressoren.



I. Kompressoren kan transporteres sikker på to forskellige måder:

- En hånd – grib fat i håndtaget A bagest i bunden af kompressoren.
- To hænder – grib fat i håndtagene B i siderne af kompressoren.

3.5 Montering af strømledningen

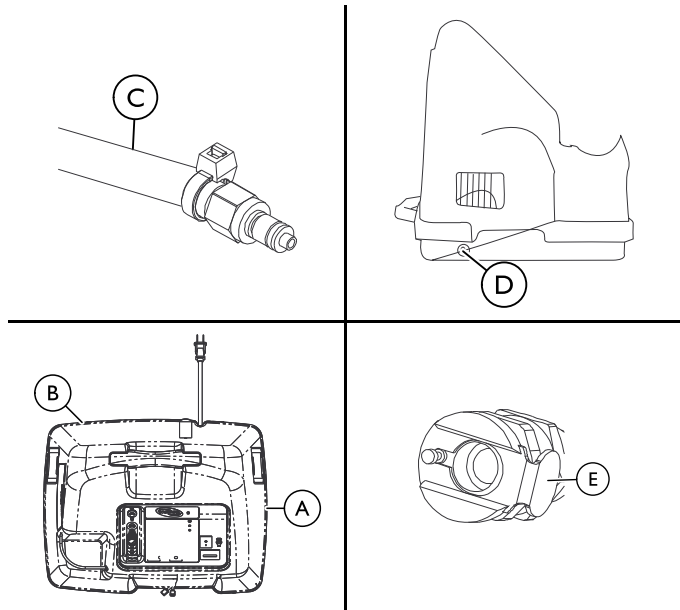


1. Vælg en passende placering. Se Valg af placering i dette afsnit af manualen.
2. Sørg for, at tænd/sluk-knappen er i stillingen Slukket (O).
3. Sæt strømledningen i det elektriske stik A bag på kompressoren B.
4. Sæt strømledningens anden ende C i vægudtaget D.
5. Sørg for en sikkerhedsafstand på mindst 3" (7,6 cm) til ledningsenderne for at sikre plads til frakobling.




Strømindgangen fungerer som hovedstrømafbryder for at afbryde strømmen til enheden, når ledningen trækkes ud.

3.6 Tilslutning af kompressoren til koncentratoren



1. Indfør den ene ende af sammenkoblingsslangen ③ i udtaget ② bag på koncentratoren ①.
2. Indfør den anden ende af sammenkoblingsslangen i indløbet ④ på siden af kompressoren.

 Metalfligene ⑤ på koncentratorens udtag og kompressorens indløb springer frem med en "klik"-lyd, når sammenkoblingsslangen er korrekt monteret.

3. Saml resten af sammenkoblingsslangen i en løkke, og fastgør den på bagsiden af koncentratoren med stropperne.

4 Brug

4.1 Tjekliste for kompressorbetjening

Hver gang kompressoren HomeFill anvendes til at fylde en flaske, gennemgås følgende tjekliste:

- Sørg for, at koncentratoren har været tændt i mindst 30 minutter. Se koncentratorens brugsanvisning.
- Udfør inspektion af flasken før påfyldning.
- Slut flasken til kompressoren.
- Tryk kompressorens startknap til stillingen Tændt (I).
- Kontrollér indikatorlamperne på kontrolpanelet.
- Frakobl og afmonter den fulde flaske.
- Tryk kompressorens startknap til stillingen Slukket (O).
- Gennemgå tjeklisten igen, hvis en ny flaske skal fyldes.

4.2 Kontrol før påfyldning af iltflaske



ADVARSEL!

- Anvend UDELUKKENDE flasker, der er forsynet med Invacare HomeFill II-tilslutninger og HomeFill II-mærkatene.
- Alle iltflasker SKAL ses efter, inden man forsøger at fylde dem. Ellers kan der ske personskade eller beskadigelse.

Du kan se, at iltflasken er HomeFill II-kompatibel **A** ved at se efter en sort stribe **B** øverst på iltflasken og se efter HomeFill II-mærkatene **C**.

<p>GB ENGLISH CLASS 21 O2 ADR DIN EN 12041 CAT II PED</p> <p>This cylinder is to be used with the HomeFill® system. This cylinder contains 934.70 oxygen. Dosis: 934,70 liter oxygen at 21% O₂ concentration. Placering: Højtryks 144 Bar. Kun med passende beskyttelse. Kæmp aldrig i en udløst stand på jorden.</p>	<p>F FRANÇAIS CLASS 21 O2 ADR DIN EN 12041 DIN EN 12041 CAT II PED</p> <p>Cette bouteille doit être utilisée avec le système HomeFill®. Cette bouteille contient 934,70 d'oxygène. Dose en pression de l'oxygène à 21% O₂ : 934,70 litres. Pression de remplissage maximale : 144 bar. Ne pas utiliser sans la protection appropriée. Ne jamais lutter dans un état de décharge sur le sol.</p>
<p>CZ CZECH CLASS 21 O2 ADR DIN EN 12041 KAT II PED</p> <p>Tato lahvička je určena k použití s systémem HomeFill®. Tato lahvička obsahuje kyslík o koncentraci 93 % a 21 %. Množství kyslíku: 934,70 litrů kyslíku při 21 % O₂ koncentraci. Lahvička musí být vždy používána s odpovídající ochranou a nesmí být vyložena na zem.</p>	<p>I ITALIANO CLASS 21 O2 ADR DIN EN 12041 DIN EN 12041 CAT II PED</p> <p>Questo cilindro deve essere usato con il sistema HomeFill®. Questo cilindro contiene 934,70 litri di ossigeno. Pressione massima di riempimento: 144 bar. Non usare altro gas. È vietato usare altri materiali senza autorizzazione d'ingegneria o non a regola d'arte o con un dispositivo di supporto o di riempimento.</p>
<p>DK DANISH CLASS 21 O2 ADR DIN EN 12041 CAT II PED</p> <p>Denne iltflaske er beregnet til brug sammen med HomeFill®-systemet. Denne iltflaske indeholder 934,70 liter ilt. Trykkræft ved påfyldning: 144 bar. Kun med passende beskyttelse. Kæmp aldrig i en udløst stand på jorden.</p>	<p>NL DUTCH CLASS 21 O2 ADR DIN EN 12041 DIN EN 12041 CAT II PED</p> <p>Dit cilinder moet gebruikt worden met het HomeFill® systeem. Dit cilinder bevat 934,70 liter zuurstof. Druisdruk bij opvullen: 144 bar. Alleen met de juiste bescherming. Voorkamp nooit in een ontlucht toestand op de grond.</p>
<p>D GERMAN CLASS 21 O2 ADR DIN EN 12041 DIN EN 12041 CAT II PED</p> <p>Dieses Druckgefäß darf nur mit dem HomeFill®-System verwendet werden. Dieses Druckgefäß enthält 934,70 Liter Sauerstoff. Beim Auffüllen: 144 bar. Nur mit geeigneter Schutzkleidung. Niemals kämpfen in einer entleerten Lage.</p>	<p>N NORWEGIAN CLASS 21 O2 ADR DIN EN 12041 DIN EN 12041 CAT II PED</p> <p>Dette trykkræftbeholderen skal kun brukes sammen med HomeFill®-systemet. Denne trykkræftbeholderen inneholder 93,47 prosent oksygen. Fylltrykk ved fylling: 144 bar. Bare bruk passende beskyttelse. Kjempe aldri i en utsløst tilstand på jorden.</p>
<p>E SPANISH CLASS 21 O2 ADR DIN EN 12041 CAT II PED</p> <p>Este cilindro se debe utilizar con el sistema HomeFill®. Este cilindro contiene 934,70 litros de oxígeno. Presión máxima de llenado: 144 bar. Solo usar con la protección adecuada. Nunca luchar en un estado de descarga en el suelo.</p>	<p>PL POLISH CLASS 21 O2 ADR DIN EN 12041 DIN EN 12041 CAT II PED</p> <p>Tę cylinder należy używać wyłącznie z systemem HomeFill®. Ten cylinder zawiera 934,70 litrów tlenu. Ciężkość przy napełnianiu: 144 bar. Należy używać odpowiedniej ochrony. Nie wolno walczyć w stanie rozładowania na ziemi.</p>
<p>H HUNGARIAN CLASS 21 O2 ADR DIN EN 12041 DIN EN 12041 CAT II PED</p> <p>Ez a henger csak a HomeFill® rendszerrel használható. Ez a henger 934,70 liter oxigént tartalmaz. Töltési nyomás: 144 bar. Csak megfelelő védelemmel használható. Tilos a földön kiürült állapotban harcolni.</p>	<p>S SWEDISH CLASS 21 O2 ADR DIN EN 12041 DIN EN 12041 CAT II PED</p> <p>Den här trykkræftbeholderen ska endast användas tillsammans med HomeFill®-systemet. Denna trykkræftbeholder innehåller 93,47 procent syre. Fylltryck vid fyllning: 144 bar. Endast med rätt skydd. Kämp aldrig i en utslökt tillstånd på jorden.</p>

Oxygen O₂

Authorized Res. in the EU: Bresten Druckgefäß GmbH, Mannheim, Germany. Manufactured by: Invacare Corp., 201 S. Lake Park Blvd, Sanford, FL 32771.

PN 114 4704-01

Tidspunkt for hydrostatisk test

Aluminiumsflasker SKAL testes hvert tiende år.



ADVARSEL!

Skaderisiko

Sådan mindskes risikoen for personskade:

- UNDLAD at fylde iltflasker, der ikke er blevet testet i de seneste ti år. Ellers kan der ske alvorlig personskade. Kontakt din forhandler/leverandør af udstyr til hjemmepleje vedrørende udskiftning.

Udvendig undersøgelse

1. Undersøg det udvendige af iltflasken for følgende forhold, og udskift flasken, hvis de er til stede:
 - Buler eller slagmærker
 - Gnismærker
 - Olie eller smøremiddel
 - Alle andre tegn på beskadigelse, der kan gøre iltflasken uhensigtsmæssig eller farlig at bruge.
2. Undersøg iltflasken for tegn på beskadigelse fra ild eller varme. Tegn er eksempelvis forkulning af lakken eller dannelse af blærer i lakken eller anden beskyttende belægning eller varmesensitiv indikator. Hvis der konstateres beskadigelser fra ild eller varme, udskiftes flasken.
3. Undersøg flaske-/regulatorsættet for følgende, og udskift flasken, hvis de er til stede:
 - Fremmedlegemer, olie eller smøremiddel
 - Synlige tegn på beskadigelse
 - Tegn på korrosion inde i ventilen
 - Tegn på beskadigelse fra høj varme eller ild

4.3 Tilslutning af flasken til kompressoren



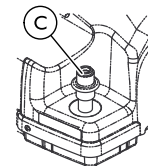
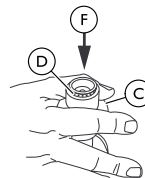
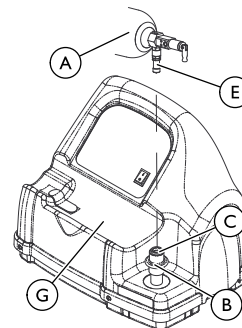
ADVARSEL!

- Anvend **ALDRIG** værktøjer af nogen art ved tilslutning/frakobling af flasken A og kompressoren B. Dette kan medføre alvorlig personskade og/eller beskadigelse.




ADVARSEL!

- **UNDGÅ** at tabe iltflasker. Brug begge hænder ved håndtering/transport af iltflasker. Ellers kan der ske personskade eller beskadigelse.
- **UNDLAD** at teste for lækager med en flydende lækagedetektor.




For at gøre det mere tydeligt, hvad der skal gøres, vises hætterne til påfyldningsstuderne ikke.

1. Undersøg produktet for synlig beskadigelse inden hver gang brug. Se afsnittet Udvendig undersøgelse. UNDLAD at bruge produktet, hvis der er nogen som helst form for beskadigelse.


 Kontakt din forhandler/leverandør af udstyr til hjemmepleje, hvis en eller flere af mærkaterne bliver ulæselige eller falder af.

2. Se på manometeret. Hvis trykket i iltflasken er under 1.500 psig (10.342 kPa), kan du gå videre til TRIN 3.

 Se cylinderens manual for at finde ud af, hvor manometeret sidder.

Hvis trykket i iltflasken er **højere** end 1.500 psig (10.342 kPa), må du IKKE forsøge at fylde mere på. Der kan være problemer med påfyldningen.

3. Indstil regulatorens flow-indstillingsknappen på flasken **A** til Slukket. Se brugsanvisningen til iltflasken.
4. Afmonter hættten til iltflaskens påfyldningsstuds og hættten på koblingens påfyldningsstuds.
5. Tryk kortvarigt NED på den yderste ring (bøsning) **B** på kompressorens påfyldningsstuds **C**, indtil de GRØNNE prikker **D** bliver synlige, for at nulstille kompressoren.

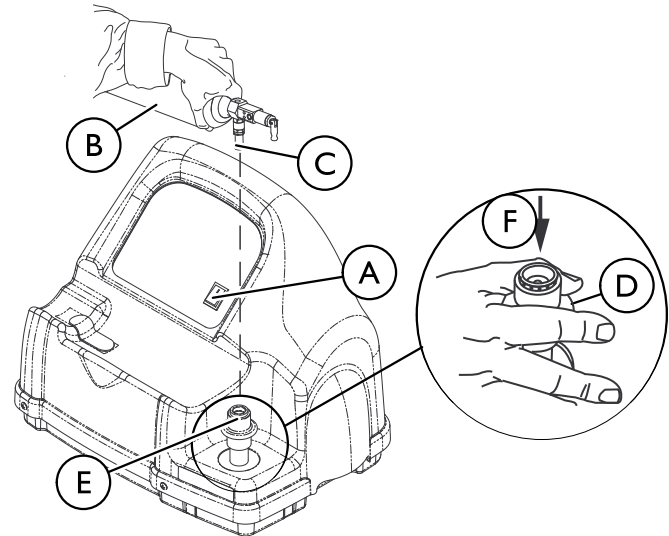
 Hvis den yderste ring (bøsning) er i OP-positionen (de GRØNNE prikker er ikke synlige), er påfyldningsstudsden på kompressoren ikke klar til at tage imod iltflaskens påfyldningsstuds **E**. Når **F** trykkes kortvarigt NED, nulstilles kompressorens påfyldningsstuds (de GRØNNE prikker er synlige), og kompressoren er klar til at tage imod iltflaskens påfyldningsstuds.

6. Tag fat om flaskesættet i området bag påfyldningsstudsden på iltflasken.
7. Anbring iltflasken i slæden på kompressoren **G**.

8. Ret iltflaskens påfyldningsstuds ind efter kompressorens påfyldningsstuds.
9. Træk OP i den yderste ring (bøsning) på kompressorens påfyldningsstuds, mens du trykker NED på flasken for at koble iltflaskens påfyldningsstuds til kompressorens påfyldningsstuds.

 Flasken er tilsluttet korrekt, når der lyder et "klik".

4.4 Frakobling af iltflasken fra kompressoren



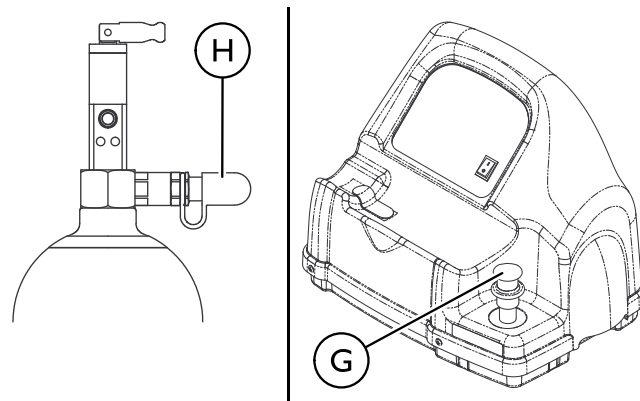


ADVARSEL!

– Anvend ALDRIG værktøjer af nogen art ved tilslutning/frakobling af flasken A og kompressoren B. Dette kan medføre alvorlig personskade og/eller beskadigelse.

1. Stil kompressorens startknap (A) på OFF (O).
2. Tag fat om flaskesættet (B) i området bag påfyldningsstuds på iltflasken (C).
3. Tag med den anden hånd fat om den yderste ring (bøsning) (E) på iltflaskens påfyldningsstuds, og tryk (F) NED.
4. Løft iltflasken op for at fjerne den fra kompressorens påfyldningsstuds.


5. Når iltflaskens påfyldningsstuds ikke længere er forbundet med kompressorens påfyldningsstuds, slippes den yderste ring (bøsning) på kompressorens påfyldningsstuds, og flasken fjernes fra kompressorslæden med begge hænder.



ADVARSEL!

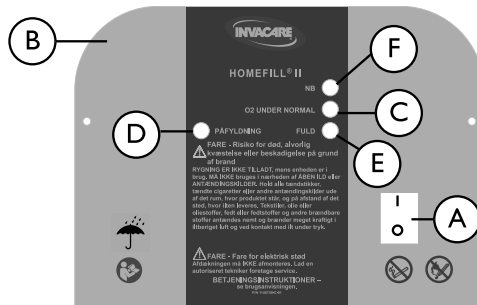
– Hætten til koblingspåfyldningsstuds og påfyldningsstuds på iltflasken SKAL sættes på igen efter opfyldning, og når delene ikke er i brug. Kontakt din leverandør inden brug, hvis en af hætterne til påfyldningsstuderne mangler.

6. Monter hætterne på koblingspåfyldningsstuds © og flaskepåfyldningsstuds (H).

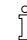
 Når der bruges en iltf flaske af typen med ekstra ventil, skal der monteres en iltreulator i henhold til producentens anvisninger.

7. Undersøg manometeret på flasken for at sikre dig, at flasken er fyldt (viseren er i det GRØNNE område). Gør som følger, hvis iltf flasken ikke er fuld:
- Gentag Tilslut iltf flasken til kompressoren i dette afsnit i manualen.
 - Kontakt din udbyder, hvis flasken stadig ikke er fyldt efter andet forsøg på at fylde den.


4.5 Sådan tændes og slukkes kompressoren





1. Sørg for, at koncentratoren er tændt. Se koncentratorens brugsanvisning.

 Iltens maksimale flowhastighed fra koncentratoren til patienten er vist i nedenstående tabel. Ellers er iltniveauet til kompressoren < 90 %, og derfor fylder kompressoren ikke flasken.

Invacare iltkoncentrator	Maksimalt udgangsflow til patienten
Platinum 5	2,5 l/min
Platinum 9	5 l/min
Perfecto ₂	2,5 l/min

 Patienter med et højere ordineret flow må ikke genfylde en flaske, mens de modtager supplerende iltbehandling via iltkoncentratoren.

- Indstil koncentratorens flowhastighed til patienten til 2,5 l/min. eller mindre ved Platinum 5 og Perfecto₂ og til 5 l/min. eller mindre ved Platinum 9. Se koncentratorens brugsanvisning.
- Sørg for, at flasken er sluttet til kompressoren. Se Tilslut iltf flasken til kompressoren i dette afsnit i manualen.
- Tryk tænd/sluk-knappen (B) på kontrolpanelet til stillingen Tændt (I).

5. Undersøg kontrolpanelet ⑥. Følgende bør ske i nedenstående rækkefølge:
- 0-3 minutter – O₂ under normal (GUL) lampe ③ lyser, mens kompressoren varmes op.
 - Efter tre minutter – PÅFYLDNINGSLAMPEN (GRØN) ④ lyser, mens flasken fyldes.
 - LAMPEN FOR FULD FLASKE (GRØN) ⑤ lyser permanent, når flasken er opfyldt. Fortsæt til TRIN 6.
-  O₂ UNDER NORMAL (GUL) lampen tændes muligvis, hvis iltniveauet fra koncentratoren ikke har nået eller falder til under 90 %. Kompressoren starter eller fortsætter med påfyldning, når iltniveauet når 90 %. Hvis lampen ikke slukkes inden for 10 minutter, skal du se afsnittet Fejlfinding i denne manual.
- Hvis lampen ADVARSEL (RØD) lyser, og der høres en alarm ⑦, skal du se afsnittet Fejlfinding i denne manual.
6. Afmonter den fulde flaske. Se Frakobling af iltflasken fra kompressoren i dette afsnit i manualen.
7. Tryk tænd/sluk-knappen til stillingen Slukket (O).
-  Du finder yderligere oplysninger om betjening og brug af flasken i brugsanvisningen til flaske-/regulatorsættet.

5 Vedligeholdelse

5.1 Vedligeholdelsesoplysninger



FARE!

Risiko for elektrisk stød

Denne enhed indeholder komponenter, som er i bevægelse og under højt tryk. Der er ingen dele, som brugeren selv kan udføre service på, indeni. Sådan undgås personskade eller død som følge af elektrisk stød:

- Afdækningen må IKKE afmonteres.
- Lad en autoriseret tekniker foretage service.



ADVARSEL!

– Det er kun de dele og procedurer, der er beskrevet i dette afsnit, som er relevante for brugeren. Alle andre dele og procedurer må kun foretages af en uddannet servicetekniker.

5.2 Slitage

Invacare forbeholder sig ret til at bede om returnering af enhver artikel eller komponent, som har en påstået konstruktionsdefekt. Se garantioplysningerne i denne manual for at få specifikke garantioplysninger.

Se procedurerne i brugsanvisningen for oplysninger om anvendelse af produktet og plan for forebyggende vedligeholdelse.

Dette er kun en generel vejledning, som ikke omfatter komponenter og udstyr, som beskadiges pga. misbrug eller forkert brug. Brugstiden afhænger af mange faktorer.

Almindelige sliddele for dette produkt fremgår af listen herunder.

- Alle filertyper

1195664-A

- Alle slangetyper

5.3 Servicelevetid



ADVARSEL!

Skaderisiko eller risiko for beskadigelse

Produktet er blevet testet i den servicelevetid, der er angivet i denne manual. Hvis produktet anvendes i længere tid end denne periode, kan det forårsage personskade eller beskadigelse af produktet.

- Produktet må KUN bruges i den servicelevetid, der er angivet i denne manual. Produktets servicelevetid MÅ IKKE overskrides.
- Udfør al vedligeholdelse i overensstemmelse med den anbefalede tidsplan i denne manual.

Den forventede servicelevetid på dette produkt er fem år eller 5.000 timers drift, når det anvendes i overensstemmelse med sikkerhedsanvisningerne, vedligeholdelsesintervallerne og den korrekte brug, der fremgår i denne manual. Den effektive servicelevetid kan variere afhængigt af hyppighed og intensitet af brugen. Der skal som minimum foretages vedligeholdelse hver uge.

5.4 Rensning af kompressorfilteret



ADVARSEL!

- Sæt tænd/sluk-knappen i positionen Slukket (O), og træk kompressorens stik ud før rengøring.
- UNDLAD at bruge kompressoren, når filtret ikke er sat i.



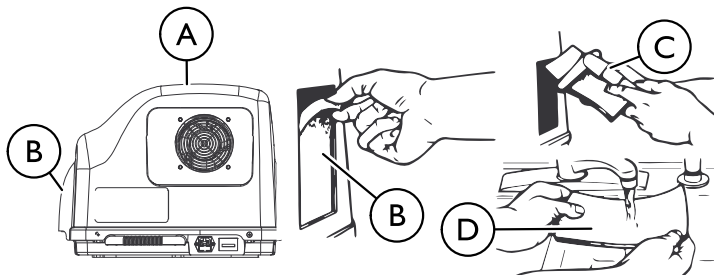
FORSIGTIG!

– UNDLAD at trække stikket ud ved at trække i ledningen. Træk i stikket og ikke i ledningen, da dette kan forårsage skade.



Alle kompressorer har et filter bag på huset.

Udfør denne procedure mindst en gang om ugen.



1. Træk kompressorens **A** ledning ud af stikket. Tag fat i stikproppen og ikke i ledningen.
2. Afmonter filteret **B**.
3. Rens filteret med en støvsuger **C**, eller vask det i varmt sæbevand, og afskyl det grundigt **D**.
4. Lad filteret tørre helt, før det sættes i igen.

5.5 Rengøring af huset



FARE!

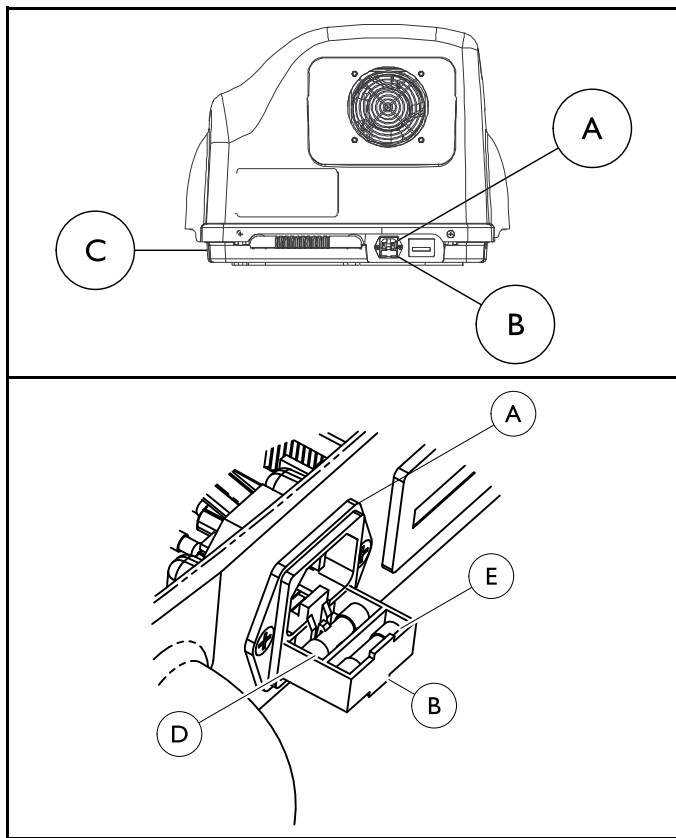
Risiko for elektrisk stød

Denne enhed indeholder komponenter, som er i bevægelse og under højt tryk. Der er ingen dele, som brugeren selv kan udføre service på, indeni. Sådan undgås personskaade eller død som følge af elektrisk stød:

- Afdækningen må IKKE afmonteres.
- Lad en autoriseret tekniker foretage service.

1. Rengør huset med et mildt rengøringsmiddel og en ikke-slibende klud eller svamp.

5.6 Udskiftning af sikringen



1. Træk strømledningen ud af stikkontakten.
2. Træk strømledningen ud af strømindgang **A** på kompressorens base **C**.
3. Træk sikringskuffe **B** i bunden af strømindgangen ud.
4. Anvend en sikringsudtrækker eller en lille flad skruetrækker med lige kærvt til at afmontere den forreste sikring i sikringskuffen, og kassér den.



Der er plads til to sikringer i sikringskuffen. Den forreste placering er til den fungerende sikring. Enheden leveres kun med den forreste sikring. Den bageste placering er beregnet til en reservesikring. Ved udskiftning af den forreste sikring skal man sikre sig, at der er en reservesikring af den samme type og klassificering i sikringskuffen.

5. Monter den nye sikring i den forreste sikringsholder **D**.



Anvend kun sikringer på 5 mm x 20 mm med tidsrelæ, lav brydekapacitet, 250 V, 2 A, IEC 60127 (Invacare delnummer 1099820).

6. Tryk skuffen tilbage i strømindgangen.
7. Sæt strømledningen tilbage i strømindgangen på kompressorens base.
8. Sæt strømledningen i stikkontakten.
9. Sæt tænd/sluk-knappen i stillingen Tændt **(I)**, og kontrollér, om enheden aktiveres korrekt.
10. Hvis enheden ikke aktiveres, skal du slukke apparatet på tænd/sluk-knappen, trække strømledningen ud og kontakte din forhandler, leverandør eller Invacare med henblik på serviceeftersyn.

6 Efter brug

6.1 Bortskaffelse

Dette produkt stammer fra en miljøbevidst leverandør, der overholder kravene i WEEE-direktivet 2012/19/EU om affald af elektrisk og elektronisk udstyr.

Dette produkt kan indeholde stoffer, som kan skade miljøet, hvis de bortskaffes på steder (lossepladser), der ikke overhoveder gældende lovgivning.

Symbolet med den "overstregede affaldsspand" på dette produkt er en opfordring til så vidt muligt at genbruge produktet.

Overhold lokale lovbestemmelser og recyclingplaner vedrørende bortskaffelse af enheden eller komponenter, der normalt anvendes. Enheden genererer ikke affald eller rester under driften. UNDLAD at bortskaffe enheden som almindeligt affald. Alt tilbehør, der ikke er en del af enheden, SKAL håndteres i overensstemmelse med den individuelle produktmærkning vedrørende bortskaffelse.

Vær miljøbevidst, og giv dette produkt til genbrug, når dets levetid er opbrugt. Kontakt Invacare eller din leverandør for yderligere oplysninger om genbrug.

7 Fejlfinding

7.1 Indikatorlamper

Indikatorlampefarve	Kompressorstatus	Effekt
Intet	Kompressor er slukket.	O ₂ strømmer til bruger, hvis koncentrator er tændt.
O ₂ UNDER NORMAL – GUL	Kompressoren er tændt og varmer op (0-3 minutter efter at kompressoren tændes).	Påfyldning af iltflaske ikke startet.
		O ₂ strømmer til bruger, hvis koncentrator er tændt.
	O ₂ fra koncentrator er < 90 % (efter tre minutters opvarmning).	Påfyldning af flaske stopper, genstart når O ₂ > 90 %.
PÅFYLDNING – GRØN	Kompressor er tændt, og flaske fyldes op. O ₂ fra koncentrator er > 90 % (efter tre minutters opvarmning).	O ₂ strømmer til bruger, hvis koncentrator er tændt.
		Iltflaske påfyldes.
		O ₂ strømmer til bruger, hvis koncentrator er tændt.

Indikatorlampefarve	Kompressorstatus	Effekt
FULD – GRØN	Kompressor er tændt. Påfyldning af flaske afsluttet (fuld) – fjern flaske (FULD-lampe lyser > 10 minutter) eller Flaske er ikke korrekt tilkoblet – kontrollér tilslutning (FULD-lampe lyser i < 10 minutter).	Flaskepåfyldning stopper. Kompressor kan ikke fylde flere flasker, før den slukkes og tændes igen. O ₂ strømmer til bruger, hvis koncentrator er tændt.
ADVARSEL – RØD (lydsignal)	Kompressor er tændt. Iltflaske påfyldes IKKE. Årsager: Fuld flaske sluttet til ved aktivering – udskift med tom flaske eller Intern fejl – kontakt forhandler.	Kompressor starter ikke påfyldning eller stopper. Enhed skal slukkes og tændes, før fyldning kan foretages. O ₂ strømmer til bruger, hvis koncentrator er tændt.

7.2 Fejlfinding

Problem	Løsning
Ingen indikatorlamper lyser, når kompressoren tændes.	<ol style="list-style-type: none"> 1. Sluk kompressoren (O). 2. Kontrollér, at strømledningen er korrekt sat i kompressoren og i vægudtaget. 3. Tænd kompressoren (I). 4. Rens luftfiltre. Se Rensning af kompressorfilteret i afsnittet Vedligeholdelse i denne manual. 5. Hvis udførelse af trinnene 1-4 ikke bevirker, at indikatorlamperne tændes, skal du kontakte din hjemmesundhedsudbyder eller Invacare med henblik på serviceeftersyn.
RØD lampe tændt	<ol style="list-style-type: none"> 1. Kontrollér flaskens manometer for at se, om den er fuld: <ul style="list-style-type: none"> • Flaske fuld – afmonter flasken, og sluk enheden. Udfør proceduren under Kontrol før påfyldning af iltflaske i afsnittet Brug i manualen med en iltflaske, der ikke er fuld. • Flaske ikke fuld – fortsæt til trin 2. 2. Kontrollér, at flasken er tilsluttet korrekt. <ul style="list-style-type: none"> • Sluk kompressoren (O). • Afmonter og genmonter flasken. • Tænd kompressoren (I). Hvis flasken ikke er fuld og er korrekt tilsluttet, kan der være en intern fejl i kompressoren. Kontakt din hjemmesundhedsudbyder eller Invacare.
<p>Tænd og sluk kompressorcyklusser eller O₂ Under normal (gul) og Påfyldes (grøn) blinker eller O₂ under normal (gul) tændes og slukkes</p>	<ol style="list-style-type: none"> 1. Kontrollér, at koncentratorens literflowindstilling er indstillet til 2,5 l/min. eller mindre for koncentratorer af typen Platinum 5 eller Perfecto₂ eller 5 l/min. eller mindre for koncentratorer af typen Platinum 9. Juster om nødvendigt literflowindstillingen (se brugsanvisningen til koncentratoren). Vent mindst 20 minutter, indtil den GRØNNE lampe lyser. Hvis den ikke lyser, skal du fortsætte til trin 2. 2. Der skal muligvis udføres serviceeftersyn af koncentratoren. Kontakt din hjemmesundhedsudbyder eller Invacare.

Problem	Løsning
<p>O₂ under normal (GUL) lyser permanent</p>	<ol style="list-style-type: none"> 1. Sørg for, at koncentratoren har varmet op i mindst 20 minutter. Hvis der ikke er gået 20 minutter, slukkes kompressoren, indtil koncentratoren er varmet op. Hvis den GULE lampe stadig lyser, skal du fortsætte til trin 2. 2. Undersøg forbindelsen mellem kompressoren og koncentratoren for skader eller klemning. <ul style="list-style-type: none"> • Udskift, hvis der konstateres skader. • Ret slangen ud i tilfælde af klemning. Sluk kompressoren (O) i mindst 10 sekunder. Tænd kompressoren (I). Hvis den GULE lampe stadig lyser efter 10 minutter, skal du fortsætte til trin 3. 3. Der skal muligvis udføres serviceeftersyn af koncentratoren. Kontakt din hjemmesundhedsudbyder eller Invacare.
<p>Påfyldningstider overskrider de maksimalt anbefalede påfyldningstider, ELLER den GRØNNE påfyldningslampe lyser permanent.</p>	<ol style="list-style-type: none"> 1. Kontrollér, at flaskeregulatoren er indstillet til Slukket (O). 2. Kontrollér de anbefalede påfyldningstider vist i manualen til den enkelte flaske. 3. Kontrollér, at flasken er tilsluttet korrekt. Sluk kompressoren (O). Afmonter og genmonter flasken. Tænd kompressoren (I). 4. Kontrollér, om kompressorens/koncentratorens slange er korrekt tilsluttet og/eller er beskadiget (dvs. lækager eller knæk). 5. Kontrollér, at koncentratorens literflowindstilling er indstillet til 2,5 l/min. eller mindre for koncentratorer af typen Platinum 5 eller Perfecto₂ eller 5 l/min. eller mindre for koncentratorer af typen Platinum 9. Juster om nødvendigt literflowindstillingen (se brugsanvisningen til koncentratoren). Hvis den GRØNNE påfyldningslampe ikke slukkes, skal der muligvis udføres serviceeftersyn af kompressoren og/eller koncentratoren. Kontakt din hjemmesundhedsudbyder eller Invacare.
<p>Unormal støj, når kompressoren er tændt</p>	<ol style="list-style-type: none"> 1. Kontakt din hjemmesundhedsudbyder eller Invacare med henblik på servicering.

Problem	Løsning
Hvislende lyd fra regulatoren, når flowvælgerkontakten er slået fra	<ol style="list-style-type: none"> 1. Slå flowvælgerkontakten fra. 2. Hvis hvislelydene fortsætter, kontaktes din hjemmesundhedsudbyder eller Invacare.
Regulatoren er slået til, men O ₂ leveres ikke	<ol style="list-style-type: none"> 1. Genfyld flasken 2. Kontrollér, at iltbrillen er lige og ikke er klemt. Udskift, hvis der konstateres skader. 3. Kontakt din hjemmesundhedsudbyder eller Invacare med henblik på servicering.



Se flaskens manual for at finde ud af de korrekte påfyldningstider.

Påfyldningstider er cirkatider og kan variere alt efter de omgivende forhold.

8 Tekniske data

8.1 Teknisk beskrivelse

HomeFill II-iltssystemet (IOH200AW) er et elektromekanisk system til hjemmebrug. Det er beregnet til at ved hjælp af tryksat ilt at opfylde gasflasker produceret af Invacare til ambulat brug, mens patienten modtager iltbehandling via en iltkoncentrator. Gassystemet IOH200AW er designet til brug sammen med en Invacare iltkoncentrator med en integreret HF2-udstyrskobling, som kan levere en gaskoncentration på over 90 % O₂ med ca. 2 l/min., mens patienten forsynes med ilt.



Iltens maksimale flowhastighed fra koncentratoren til patienten er vist i nedenstående tabel. Ellers er iltniveauet til kompressoren < 90 %, og derfor fylder kompressoren ikke flasken.

Invacare iltkoncentrator	Maksimalt udgangsflow til patienten
Platinum 5	2,5 l/min
Platinum 9	5 l/min
Perfecto ₂	2,5 l/min

HomeFill II-iltssystemet består af gaskompressoren IOH200AW, tilslutningsslanger samt mobile Invacare-gasflasker med integreret flowregulator og påfyldningsfitting med sikring.

IOH200AW-kompressoren består af en flertrinskompressor, intern beholder, styreelektronik med integreret iltkoncentrationsføler, påfyldningsfitting med sikring, indløb og drevmotor. Kompressoren betjenes via den elektroniske enhed. Motoren/kompressoren må kun fylde en flaske, når indsugningsgasflowets iltkoncentration er

større end 90 %, og flasketrykket ikke allerede er større end 1.500 PSI (10.342 kPa). Motorens/kompressorens påfyldning er afsluttet, når gassen i flasken når et maksimalt påfyldningstryk på 2.000 PSI (13.786 kPa).

IOH200AW-kompressoren kan fylde flasker til mobil brug ved ambulante patienter. Den mobile gasflasker fra Invacare er udstyret med en påfyldningsfitting med sikring, som kun kan sluttes til Invacare IOH200AW kompressoren. Gasflasken indeholder også en integreret flowregulator med faste flowindstillingsmuligheder.

8.2 Iltflaskens påfyldningstider

ILTFLASKENS PÅFYLDNINGSTIDER	Koncentratorflowhastighed til patient:	
	Platinum 5 op til 2,5 l/min. Perfecto ₂ op til 2,5 l/min. Platinum 9 op til 5 l/min.	
	HF2PCE9A	HF2PCE6A
NORMAL	2 t 20 min	1 t 25 min
MAKSIMUM	2 t 45 min	1 t 50 min



Alle opfyldningstider er cirkatider og kan variere alt efter de omgivende forhold.

8.3 Specifikationer

Klassifikationer:	EN/IEC 60601-1
	EN/IEC 60601-1-2
Elektrisk klassificering:	230 V~, 1,0 A, 50 Hz
Driftsmiljøforhold:	41 til 104° F (5 til 40° C) ved ikke-kondenserende luftfugtighed på 15 til 60 %
Atmosfærisk tryk:	700-1.060 hPa
Opbevaring og transport:	-25 til 158° F (-23 til 70° C) ved ikke-kondenserende luftfugtighed på 15 til 95 %.
Påkrævet tryk, indgang:	14-21 psi (96,5-144,7 kPa)
Nødvendigt indgangsflow:	2 l/min.
Påkrævet O ₂ %, indgang:	> 90 % O ₂
Bredde:	20 ¼ tommer (51,44 cm)
Højde:	15 tommer (38,1 cm)
Dybde:	16 tommer (40,64 cm)
Vægt:	33 lbs (14,97 kg)
Forsendelsesvægt:	39 lbs (17,69 kg)
Maks. anvendt deltemperatur	122° F (50° C)

Notes

Sisällysluettelo

Tämä opas on annettava loppukäyttäjälle. Lue tämä opas ENNEN tuotteen käyttöä. Säilytä opas myöhempää tarvetta varten.

I Yleistä	70
1.1 Symbolit	70
1.2 Käyttötarkoitus	71
1.3 Takuu	72
2 Turvallisuus	73
2.1 Yleiset ohjeet	73
2.2 Kilpien sijainnit	76
2.3 Jälleenmyyjän tiedot	77
2.4 Kaksoiseristetyt tuotteet	77
2.5 Sähkömagneettista yhteensopivuutta koskevat tiedot	77
3 Käyttöönotto	79
3.1 Pakkauksen purkaminen	79
3.2 Kompressorin alkuasennuksen tarkistuslista	79
3.3 Sijaintipaikan valinta	80
3.4 Kompressorin kuljettaminen	81
3.5 Virtajohdon asentaminen	81
3.6 Kompressorin liittäminen rikastimeen	82
4 Käyttö	83
4.1 Tarkistuslista kompressorin käyttöä varten	83
4.2 Pullon täyttöä edeltävä tarkastus	84
4.3 Pullon liittäminen kompressoriin	86
4.4 Pullon irrottaminen kompressorista	87
4.5 Kompressorin virran kytkeminen ja katkaiseminen	88
5 Huolto	90
5.1 Kunnossapitotiedot	90
5.2 Kuluminen	90

5.3 Käyttöikä	90
5.4 Kompressorin suodattimen puhdistaminen	90
5.5 Kotelon puhdistaminen	91
5.6 Varokkeen vaihtaminen	92
6 Käytön jälkeen	93
6.1 Hävittäminen	93
7 Häiriöiden korjaaminen	94
7.1 Merkkivalot	94
7.2 Vianmääritys	96
8 Tekniset tiedot	99
8.1 Tekninen kuvaus	99
8.2 Pullon täyttöajat	100
8.3 Tekniset tiedot	100

I Yleistä

I.1 Symbolit

Oppaassa käytetyt symbolit

Tässä oppaassa käytetään signaalisanoja, jotka viittaavat vaaroihin tai turvattomiin käytäntöihin, jotka saattavat aiheuttaa henkilö- tai omaisuusvahinkoja. Katso alta lisätietoja signaalisanojen määrittelmistä.



VAARA!

– Vaara osoittaa välittömästi vaarallista tilannetta. Jos sitä ei vältetä, se aiheuttaa kuoleman tai vakavan vamman.



VAROITUS!

– Varoitus osoittaa mahdollisesti vaarallista tilannetta. Jos sitä ei vältetä, se saattaa aiheuttaa kuoleman tai vakavan vamman.



HUOMIO!

– Huomautus osoittaa mahdollisesti vaarallista tilannetta. Jos sitä ei vältetä, se saattaa aiheuttaa omaisuusvahingon tai vähäisen vamman tai molemmat.



TÄRKEÄÄ

– Osoittaa mahdollisesti vaarallisen tilanteen. Jos sitä ei vältetä, se saattaa aiheuttaa omaisuusvahingon.



Antaa hyödyllisiä vinkkejä, suosituksia ja tietoa tehokkaasta ja ongelmattomasta käytöstä.

Tuotteen symbolit

Seuraavia symboleita käytetään kompressorissa, kompressorin pakkauksessa ja happipullossa.



Lue kompressorin opas



Tuotekilvissä symbolin taustaväri on sininen.



Lue sylinterin opas



Sähköiskun vaara



Vaihtovirta



Tyyppin BF laite – sovelletut osat



Virran kytkeminen



Virran katkaiseminen



Tupakointi KIELLETTY



Suojaa avotulelta



Luokka II, kaksoiseristys. Katso kaksoiseristettyjä tuotteita käsittelevä kohta oppaan turvallisuusosasta.



Pidä kuivana kuljetuksessa ja varastoinnissa ja käytön aikana



Varoke



Hapetin



Tuotekilvissä symbolin taustaväri on keltainen.



Palamaton kaasu, luokka 2 (happi)



Tuotekilvissä symbolin taustaväri on vihreä.



Lämpötila varastoinnin ja kuljetuksen aikana



Kosteus varastoinnin ja kuljetuksen aikana:



Kierrätä tämä tuote. Katso oppaasta kohta Tuotteen ja lisävarusteiden hävittäminen osiossa Käytön jälkeen.



Tämä tuote täyttää lääkintälaitteita koskevan direktiivin 93/42/ETY vaatimukset.

Tämän tuotteen julkaisupäivämäärä on mainittu CE-vaatimustenmukaisuusvakuutuksessa.



Edustaja Euroopassa



Valmistaja

I.2 Käyttötarkoitus



VAROITUS!

- Laitteen käyttö rajoitetaan tietyn potilaan omien happipullojen uudelleentäyttämiseen. **AINOASTAAN** tietty happipotilas SAA käyttää määrättyjä pulloja, eikä niitä saa jakaa muille henkilöille mihinkään tarkoitukseen.
- Laitteelle ei ole indikoitu muita käyttötarkoituksia.



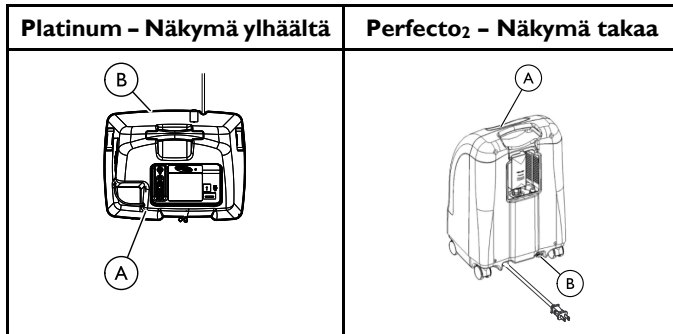
VAROITUS!

Kuoleman, vakavan vamman tai vaurioitumisen vaara

Invacare HomeFill -kompessori on tarkoitettu käytettäväksi vain Invacaren happirikastimien kanssa. Tämän tuotteen käyttö muiden laitteiden kanssa saattaa aiheuttaa vamman, kuoleman tai omaisuusvahingon.

- ÄLÄ käytä Invacare HomeFill -kompessoria muiden kuin Invacaren happirikastimen kanssa.
- Käytä ainoastaan HomeFill-yhteensopivien erityissuunniteltujen Invacaren happirikastimien kanssa.

Saat selville, onko happirikastimesi HomeFill-yhteensopiva tarkistamalla, onko happirikastimen **A** takana oikeassa alakulmassa poistoliitin **B**.



Invacaren HomeFill-kompessoria on tarkoitus käyttää Invacaren happirikastimien lisälaitteena, jonka avulla potilas pystyy täyttämään henkilökohtaiseen käyttöön tarkoitettuja vakiomallisia kannettavia happipulloja.

Tämä tuote on tarkoitettu käyttöön yhdellä potilaalla sisätiloissa ainoastaan kotihoitoympäristössä, eikä sitä saa käyttää pullojen uudelleentäyttöön suurissa määrissä.

Tuotteen käyttäminen ei edellytä näiden ohjeiden lisäksi erityistä tuotetietoa tai koulutusta.

Tuotetta ei saa käyttää happihoidon antamiseen uudelleentäytön aikana.

Tämä tuote on tarkoitettu aikuisen käyttöön tai aikuisen valvonnassa tapahtuvaan käyttöön. Ennen käyttöä on perehdyttävä huolellisesti tämän käyttöoppaan ohjeisiin ja varoituksiin.

I.3 Takuu

Takuuehdot ovat osa tuotteen yksittäisissä myyntimaissa sovellettavia yleisiä ehtoja.

2 Turvallisuus

2.1 Yleiset ohjeet



VAARA!

Kuoleman, vakavan vamman tai vaurioitumisen vaara

Tämän tuotteen vääränlainen kokoaminen saattaa aiheuttaa kuoleman, vamman tai vahingon. Tässä osassa on tärkeitä tietoja tuotteen turvallisesta toiminnasta ja käytöstä.

- ÄLÄ käytä tätä tuotetta tai siihen saatavilla olevia lisävarusteita, ennen kuin olet lukenut kokonaan ja sisäistänyt nämä ohjeet ja mahdolliset lisäohjeet, kuten käyttöoppaat, huolto-oppaat ja ohjelehtiset, jotka on toimitettu tämän tuotteen tai lisävarusteen mukana.
- Jos et ymmärrä varoituksia, huomautuksia tai ohjeita, ota yhteyttä terveydenhuollon ammattilaiseen, jälleenmyyjään tai tekniseen henkilöstöön ennen laitteen käyttämistä.
- Tarkista KAIKKI ulkoiset osat ja pakkaus vahingoittumisen varalta. Jos havaitset vaurioita tai jos tuote ei toimi oikein, ota yhteyttä korjaajaan tai Invacaren.
- Näitä ohjeita ON NOUDATETTAVA HomeFill-kompressorin turvallisen asentamisen, kokoamisen ja toiminnan varmistamiseksi.
- TÄSSÄ ASIAKIRJASSA OLEVAT TIEDOT VOIVAT MUUTTUA ILMAN ENNAKKOILMOITUSTA.



VAARA!

Tulipalosta johtuva kuoleman, vakavan vamman tai vaurion vaara

Tekstiilit, öljy- tai petroliaineet, rasvat, rasvaiset aineet ja muut palavat aineet syttyvät helposti ja palavat nopeasti hapettuneessa ilmassa ja ollessaan kosketuksissa paineistettuun happeen. Tulipalon, kuoleman, vamman tai vaurion välttämiseksi:

- ÄLÄ tupakoi, kun käytät tätä laitetta.
- ÄLÄ käytä AVOTULEN tai SYTTYMISLÄHTEIDEN lähellä.
- ÄLÄ käytä kompressorissa voiteluaineita ilman Invacaren suositusta.
- TUPAKOINTI KIELLETTY -merkkien on oltava selvästi näkyvillä.
- Happilaitteen lähellä ei saa aiheuttaa kipinää. Tämä koskee myös kitkan aiheuttamasta staattisesta sähköstä johtuvia kipinöitä.
- Pidä kaikki tulitikut, palavat savukkeet ja muut syttymislähteet poissa huoneesta, jossa tämä kompressorin on, ja loitolla hapen toimituspaikasta.
- Älä pidä happiletkuja, -johtoa ja -kompressoria peitteiden, huopiin, istuintynnyjen ja vaatteiden kaltaisten esineiden alla ja pidä ne loitolla kuumennetuista tai kuumista pinnoista, muun muassa tilanlämmittimistä, liesistä ja vastaavista sähkölaitteista.



VAARA!

Tulipalosta johtuva kuoleman, vakavan vamman tai vaurion vaara

Tekstiilit, öljy- tai petroliaineet, rasvat, rasvaiset aineet ja muut palavat aineet syttyvät helposti ja palavat nopeasti hapettuneessa ilmassa ja ollessaan kosketuksissa paineistettuun happeen. Tulipalon, kuoleman, vamman tai vaurion välttämiseksi:

- ÄLÄ anna käsistäsi tai muista lähteistä peräisin olevan öljyn päästä kosketukseen kompressorin kytkimen tai pullon liittimien kanssa. Kyseisistä aineista voi tulla helposti syttyviä, kun ilmassa on happea, ja tämä voi aiheuttaa vamman. Vältä mahdollisuuksien mukaan pullon liittimien koskettamista. Vältettäviä aineita ovat muun muassa käsivoiteet tai -rasvat, ruoanlaittoöljyt, aurinkoöljyt tai -voiteet ja vastaavat öljyiset tuotteet. Jos olet käyttänyt tällaisia tuotteita, Invacare suosittelee, että peset kätesi ennen HomeFill-laitteen käyttämistä. Jos pullon liittimet joutuvat kosketuksiin kyseisten aineiden kanssa, ne on puhdistettava kostealla liinalla ennen niiden yhdistämistä kompressoriin.
- ÄLÄ öljyä tai voitele kompressorin kytkintä tai pullon liittimiä. ÄLÄ käytä läpäiseviä öljyjä tai voiteluaineita, joita ovat esimerkiksi WD-40® ja 3-in-1 Oil®. Jos liitännässä on ongelmia, tarkasta, että pullon liittimet on työnnetty suoraan alas kompressorin kytkimeen. Jos ongelmat jatkuvat, pyydä apua toimittajaltasi.



VAARA!

Sähköiskun vaara

Tämä yksikkö sisältää liikkuvia osia ja korkeapaineosia. Kannen alla ei ole käyttäjän huollettavissa olevia osia.

Sähköiskun, kuoleman tai vamman välttämiseksi:

- ÄLÄ poista suojusta.
- Jätä huoltaminen valtuutetuille ammattihenkilöille.



VAROITUS!

Vakavan vamman tai vaurion vaara

Muiden kuin Invacare-lisävarusteiden käyttö voi aiheuttaa vakavan vamman tai vaurion.

- Invacare-tuotteet on suunniteltu ja valmistettu käytettäväksi erityisesti Invacare-lisävarusteiden kanssa. Invacare ei ole testannut muiden valmistajien lisävarusteita eikä niitä suositella käytettäväksi Invacare-tuotteiden kanssa.
- ÄLÄ käytä muita kuin Invacare-lisävarusteita.
- Voit tilata Invacare-lisävarusteita ottamalla yhteyttä Invacareen puhelimitse tai osoitteessa www.invacare.com.



VAROITUS!

Vamman tai vaurion vaara

Ilman virtauksen estäminen kompressoriin ja sieltä pois voi aiheuttaa vamman tai vaurion.

- Tuotteen ilma-aukkoja EI saa tukkia eikä tuotetta saa asettaa pehmeälle pinnalle, kuten vuoteelle tai sohvalle, jossa ilma-aukot saattavat tukkeutua.
- Pidä aukot puhtaina nöyhdästä, karvoista ja vastaavista vierasesineistä.

**VAROITUS!****Vamman tai vaurion vaara**

Vahingoittunut tuote saattaa toimia väärin ja aiheuttaa kuoleman, vamman tai vahingon. Vamman tai vaurion välttäminen:

- ÄLÄ kastele kompressoria.
- Jos kompressorin johto tai pistoke on vahingoittunut, jos se ei toimi kunnolla, jos se on pudonnut tai vahingoittunut tai uponnut veteen, pyydä pätevää teknikkoo tarkastamaan ja korjaamaan laite.

**VAROITUS!**

- ÄLÄ käytä kompressoria ulkona. Vain sisäkäyttöön.
- Jos happipullossa havaitaan vuotoa, ÄLÄ yritä käyttää pulloa. Käännä säätimen virtauksenvalintanuppi Off-asentoon. Jos vuoto jatkuu, siirrä pullo ulos ja ilmoita siitä kotisairaanhoidon palveluntarjoajallesi tai huoltoedustajalle.
- Lapsia on AINA valvottava HomeFill-laitteen lähellä. Kun käytetään HomeFill-pöytää tai vastaavia korkeita tukipintoja, lapsi voi vetää pöytää ja saada laitteen putoamaan. Tämän varoituksen huomiotta jättäminen saattaa aiheuttaa henkilövamman tai tuotevaurion.

**VAROITUS!****Vamman tai vaurion vaara**

HomeFill on varustettu ylipaineventtiilillä käyttäjän turvallisuuden varmistamiseksi. Kun tämä turvallisuustoiminto on käytössä, siitä kuuluu erittäin kova ääni. Vamman tai vaurion välttäminen:

- Jos ääni kuuluu, kytke laitteesta virta pois ja ota yhteyttä kotisairaanhoidon palveluntarjoajaasi tai huoltoedustajaan.

**VAROITUS!****Vamman tai vaurion vaara**

Virtajohto ja liitäntäletku voivat aiheuttaa kaatumisen tai muun vamman, jos ne on asetettu ja kiinnitetty epäasianmukaisesti. Tuote saattaa myös vaurioitua.

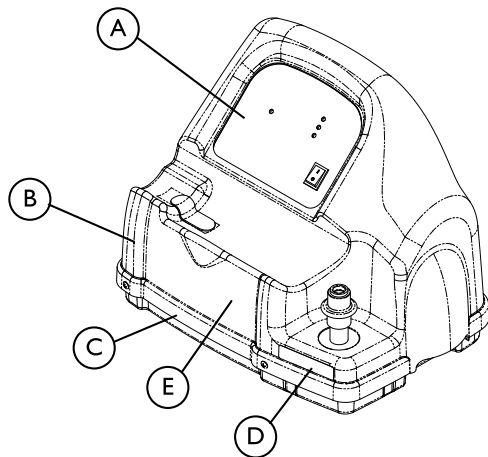
- Virtajohton ja liitäntäletkun ON OLTAVA asianmukaisesti vedetty ja kiinnitetty.
- Älä aseta virtajohtoja alueille, joilla kävellään paljon.
- Ennen kompressorin tai rikastimen siirtämistä ja uudelleensijoittamista irrota AINA vaihtovirtajohtot ja liitäntäletku kompressorin ja rikastimen välistä.

**HUOMIO!**

Yhdysvaltain liittovaltion lain mukaan tätä laitetta saa myydä vain kyseisessä valtiossa toimivaltaiselle lääkärille tai hänen määräyksestään.

- VAIN toimivaltainen lääkäri voi määrätä tämän laitteen hankkimisesta tai käytöstä.

2.2 Kilpien sijainnit



B	<p>⚠ DANGER Risk of Death, Injury or Damage from Fire</p> <p>Keep all connections free of oil and grease to avoid violent ignition. See user manual before cleaning. 1075220-D-00</p>
C	<p>⚠ DANGER Risk of Electric Shock</p> <p>DO NOT REMOVE UNIT COVER</p> <p>This unit contains moving and high pressure components. Manufacturer Service Only. 1075221-C-01</p>
D	<p>⚠ DANGER Risk of Death, Injury or Damage from Fire</p> <p>Keep all connections free of oil and grease to avoid violent ignition. See user manual before cleaning. Never oil or lubricate coupling. Cylinders filled on this unit MUST be labeled "Contents of this cylinder are the product of an oxygen concentrator." 1075238-D-00</p>
E	<p>⚠ VAARA</p> <p>Tulipalosta johtuva kuoleman, vakavan vammam tai vaurioitumisen vaara</p> <p>Älä yrittävä syttymään puhdistamalla kaikki litetit öljyllä ja rasvalla. Katso litettejä käyttöoppaasta ennen puhdistusta. Älä koskaan öljyä tai voitele kytkentää. Tämän yksikön täytetty sylinterit ON MERKITÄVÄ seuraavalla merkinnällä: "Tämä sylinteri sisältää happirikkaista tuotetta".</p> <p>Sähköiskun vaara</p> <p>ÄLÄ IRROTA YKSIKÖN SUOJUSTA</p> <p>Tämä yksikkö sisältää liikuvia osia ja korkeapaineisia. Vain valtuutetut saa huoltaa laitetta.</p> <p>PAINE ENNEN SYLINTERIN KYTKEMISTÄ HOLKKIA ALASPÄIN, KUUNNES VIREÄT PISTEET TULEVAT NÄKYVIIN.</p> <p>114800-D-01</p>

2.3 Jälleenmyyjän tiedot



Invacare suosittelee täyden happipullon jättämistä potilaalle HomeFill-kompressorin asentamisen jälkeen.

Seuraava tarkistuslista ON TÄYTETTÄVÄ ennen kuin HomeFill-kompressori jätetään käyttäjälle:

- Varmista, että pullon painetestin voimassaoloaika ei ole päättynyt.
- Tarkista sähkömagneettista yhteensopivuutta koskevasta osasta toimintaohjeet ja mahdolliset radiotaajuuskysymykset. Katso sähkömagneettista yhteensopivuutta koskevat tiedot.
- Neuvo käyttäjälle rikastimen turvallinen käyttö ja käy kaikki varoitukset läpi.
- Neuvo käyttäjälle HomeFill-kompressorin turvallinen käyttö ja käy kaikki varoitukset läpi.
- Jätä täysi happipullo käyttäjälle.
- Jätä käyttäjälle jäljennös kaikista varoituksista ja täyttöohjeista.

2.4 Kaksoiseristetyt tuotteet



HUOMIO!

– ÄLÄ irrota virtajohtoa johdosta vetämällä. Kun irrotat virtajohdon, pidä kiinni pistokkeesta, älä johdosta, sillä se saattaa aiheuttaa vaurioita.

Kaksoiseristetyssä tuotteessa on maadoituksen sijaan kaksi eristysjärjestelmää. Kaksoiseristetyltä tuotteelta ei vaadita maadoitusmenetelmää, eikä sitä saa lisätä tuotteeseen. Kaksoiseristetty tuote on merkitty sanoilla "KAKSOISERISTYS" tai "KAKSOISERISTETTY" tai symbolilla:



2.5 Sähkömagneettista yhteensopivuutta koskevat tiedot



VAROITUS!

Vamman tai vaurion vaara

Vähennä langattomien laitteiden häiriöistä johtuvien vammojen tai tuotevaurioiden vaaraa:

- Pidä kompressori vähintään 3 m:n (9,8 ft) päässä langattomista viestintälaitteista kuten kodin langattomista verkkolaitteista, matkapuhelimista, langattomista puhelimista, tukiasemista ja radiopuhelimista.

Sähköiset lääkintälaitteet on asennettava ja niitä on käytettävä tämän oppaan sähkömagneettista yhteensopivuutta koskevien tietojen mukaisesti.

Nämä laitteet on testattu ja niiden on havaittu noudattavan tyyppin BF laitteita koskevassa standardissa IEC/EN 60601-1-2 määritettyjä sähkömagneettisen yhteensopivuuden rajoja. Rajat on määritetty tarjoamaan kohtuullinen suoja sähkömagneettiselta häiriöltä tyyppillisessä kotisairaanhoidoympäristössä. Laitetta ei ole tarkoitettu käytettäväksi ammattimaisessa terveydenhuoltoympäristössä.

Kannettavat ja siirrettävät radiotaajuustietoliikennelaitteet voivat vaikuttaa näiden laitteiden toimintaan. Kompressori voidaan asettaa Invacare HomeFill -yhteensopivan happirikastimen päälle asennuksen ajaksi. Kompressorin toimintaa on tarkkailtava pullon normaalin täyttymisen tarkastamiseksi molemmissa tilanteissa.

Muissa laitteissa saattaa esiintyä häiriötä jopa edellä mainitussa standardissa sallittujen sähkömagneettisten päästöjen matalilla tasoilla. Selvitä, aiheuttaako kompressori häiriötä, kytkemällä kompressorista virta pois. Jos toiseen laitteeseen kohdistuva häiriö loppuu,

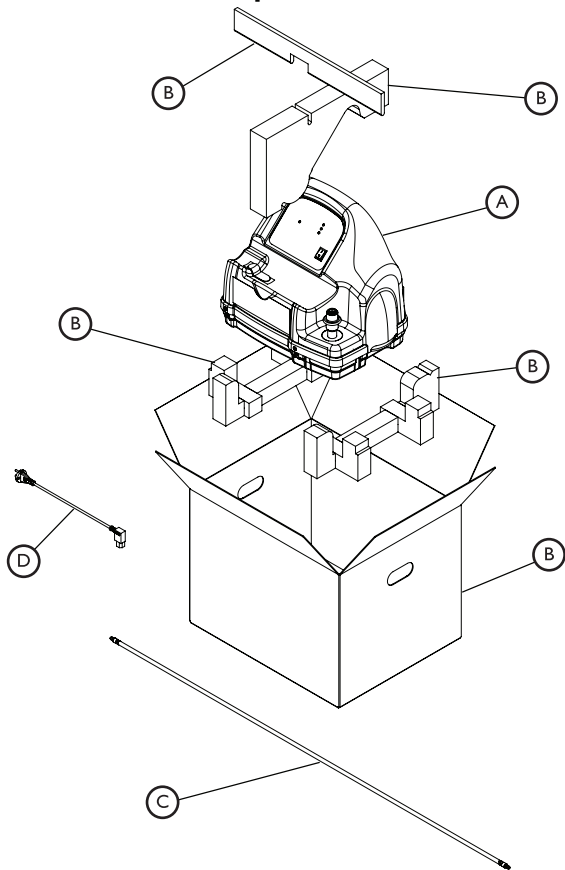
kompressori aiheuttaa häiriön. Tällaisissa harvinaisissa tapauksissa häiriötä voi vähentää tai korjata jollakin seuraavista toimenpiteistä:

- Laitteiden asettelu uudelleen, uudelleen sijoittaminen tai laitteiden välisen etäisyyden lisääminen.
- Verkkovirtaa käyttävän laitteen liittäminen toiseen virtapiiriin.

Saat lisätietoa laitteen sähkömagneettisesta yhteensopivuudesta tai laitteen käyttöympäristön sähkömagneettista yhteensopivuutta koskevista taulukoista ottamalla yhteyttä Invacareen.

3 Käyttöönotto

3.1 Pakkauksen purkaminen



KUVAUS	
Kompressorikokoonpano	A
Pakkauskokoonpano	B
Syöttöjohtokokoonpano	C
Virtajohto	D
Käyttöopas (ei näytetä)	N/A

1. Tarkista pakkaus ja sen sisältö näkyvien vaurioiden varalta. Jos vaurio on selkeä, ilmoita siitä kuljetusliikkeelle tai paikalliselle jälleenmyyjällesi.
2. Poista kaikki irtonaiset tavarat laatikosta.
3. Poista varovasti kaikki osat laatikosta.



Ellei kompressoria käytetä **VÄLITTÖMÄSTI**, säilytä kompressoria pakkauksessaan, kunnes kompressoria on käytettävä.

3.2 Kompressorin alkuasennuksen tarkistuslista



VAIN jälleenmyyjät – Katso jälleenmyyjille tarkoitetut tiedot tämän oppaan turvallisuutta koskevasta luvusta ennen tämän toimenpiteen suorittamista.



VAIN jälleenmyyjät – Ota yhteyttä Invacare-jälleenmyyjään tai Invacareen, jos tarvitset apua asennusmenettelyssä ja jos haluat ilmoittaa odottamattomasta toiminnasta tai tapahtumista.

Käy seuraava tarkistuslista läpi ennen kuin HomeFill-kompressoria käytetään ensimmäisen kerran:

- Valitse kompressorin sijaintipaikka.
- Siirrä kompressori valitsemaasi paikkaan.

- Liitä virtajohto kompressoriin.
- Liitä kompressorin rikastimeen.

3.3 Sijaintipaikan valinta



VAARA!

Tulipalosta johtuva kuoleman, vakavan vamman tai vaurion vaara

Tekstiilit, öljy- tai petroliaineet, rasvat, rasvaiset aineet ja muut palavat aineet syttyvät helposti ja palavat nopeasti hapettuneessa ilmassa ja ollessaan kosketuksissa paineistettuun happeen. Tulipalon, kuoleman, vamman tai vaurion välttämiseksi:

- ÄLÄ tupakoi, kun käytät tätä laitetta.
- ÄLÄ käytä AVOTULEN tai SYTTYMISLÄHTEIDEN lähellä.
- ÄLÄ käytä kompressorissa voiteluaineita ilman Invacaren suositusta.
- TUPAKOINTI KIELLETTY -merkkien on oltava selvästi näkyvillä.
- Happilaitteen lähellä ei saa aiheuttaa kipinää. Tämä koskee myös kitkan aiheuttamasta staattisesta sähköstä johtuvia kipinöitä.
- Pidä kaikki tulitikut, palavat savukkeet ja muut syttymislähteet poissa huoneesta, jossa tämä kompressorin on, ja loitolla hapen toimituspaikasta.
- Älä pidä happiletkuja, -johtoa ja -kompressoria peitteiden, huopien, istuintyyntyjen ja vaatteiden kaltaisten esineiden alla ja pidä ne loitolla kuumentuista tai kuumista pinnoista, muun muassa tilanlämmittimistä, liesistä ja vastaavista sähkölaitteista.

Kompressorin on oltava ainakin 7,6 senttimetrin (3") päässä seinistä, verhoista tai huonekaluista, jotta ilmavirtaus olisi riittävä.

Älä aseta kompressoria lämmittimien, lämpöpattereiden tai lämmitysritilöiden lähelle.

El SAA käyttää kaapissa.

Kompressorin on sijoitettava kovalle, tasaiselle ja vakaalle pinnalle, esimerkiksi pöydälle tai Ready Rack -telineeseen.



HomeFill Ready Rack -telinettä myydään erikseen ja sitä käytetään HomeFill-kompressorin sijoittamiseen Perfecto₂ tai Platinum -happirikastimen päälle. Katso lisätietoja HomeFill Ready Rack -telineen ohjelehdisten osanumeroista I148363 ja I134824.

3.4 Kompressorin kuljettaminen



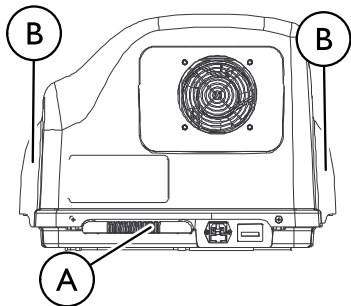
VAROITUS!

– ÄLÄ kuljeta kompressoria siten, että pullo on liitetty kompressoriin tai pulloa säilytetään kompressorissa, sillä se voi aiheuttaa vamman tai vaurion.



HUOMIO!

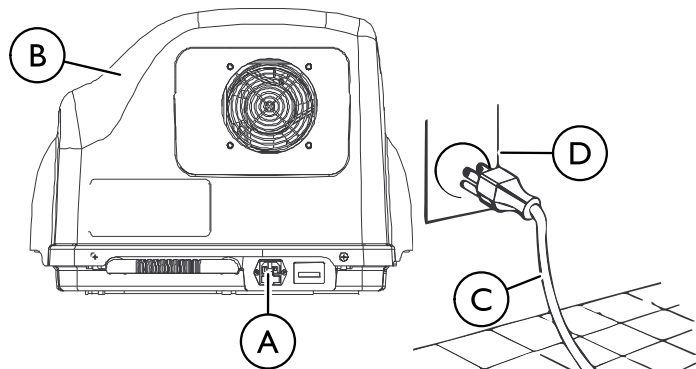
– Varmista kompressoria kuljetettaessa, että kompressori tai liittimet eivät osu esteisiin. Muussa tapauksessa kompressori voi vahingoittua.



I. Kompressorin siirtoon on kaksi turvallista menetelmää:

- Yhdellä kädellä: Ota kiinni kahvasta A kompressorin takana alaosassa.
- Kahdella kädellä: Ota kiinni kahvoista B kompressorin molemmilla puolilla.

3.5 Virtajohdon asentaminen

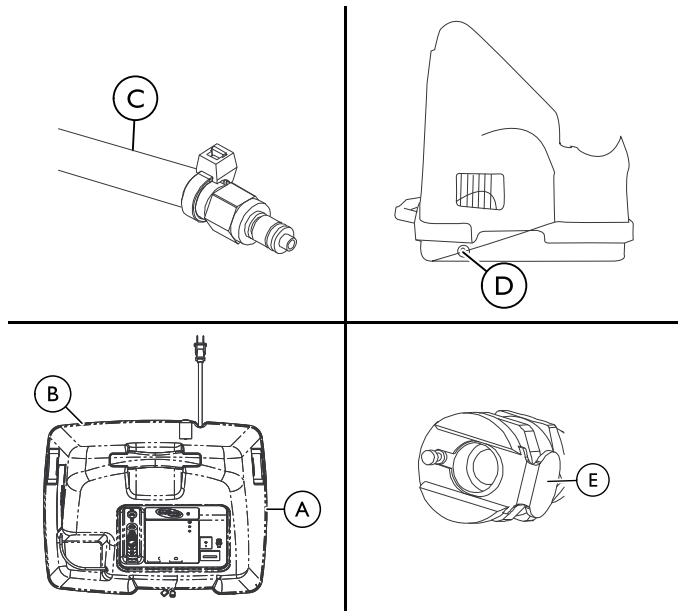


1. Valitse sopiva paikka. Katso tämän osion kohta Sijaintipaikan valinta.
2. Varmista, että virta on katkaistu (virtakatkaisin on (O)-asennossa).
3. Kytke virtajohto sähköliittimeen A kompressorin B takana.
4. Kytke virtajohdon vastakkainen pää C seinäpistorasiaan D.
5. Jätä vähintään 7,6 cm (3") väli virtajohdon päihin, jotta ne pääsee irrottamaan.



Virran sisäänottoaukko on virran irtikytkentälaitte, josta sammutetaan virran tulo laitteeseen, kun johto irrotetaan.

3.6 Kompressorin liittäminen rikastimeen



1. Työnnä toinen pää liitäntäletkusta C poistoliittimeen B rikastimen A takana.
2. Työnnä liitäntäletkun vastakkainen pää tuloliittimeen D kompressorin sivulla.



Rikastimen poistoliittimen metallilevyt E ja kompressorin tuloliitin ponnahtavat esiin napsahtaen, kun liitäntäletkun pää on asennettu kunnolla.

3. Keri ylimääräinen liitäntäletku kokoon ja kiinnitä se rikastimen taakse kiinnityshihnoilla.

4 Käyttö

4.1 Tarkistuslista kompressorin käyttöä varten

Täytä seuraava tarkistuslista aina, kun HomeFill-kompressoria käytetään pullon täyttämiseen:

- Varmista, että rikastimessa on ollut virta vähintään 30 minuuttia.
Katso rikastimen käyttöopas.
- Tee pullolle täyttöä edeltävä tarkistus.
- Liitä pullo kompressoriin.
- Kytke kompressoriin virta kääntämällä virtakatkaisin (I)-asentoon.
- Tarkista ohjauspaneelin merkkivalot.
- Kytke täysi pullo irti ja poista se.
- Katkaise kompressorista virta kääntämällä virtakatkaisin (O)-asentoon.
- Käy tarkistuslista läpi uudelleen, jos täytät toisen pullon.

4.2 Pullon täyttää edeltävä tarkastus

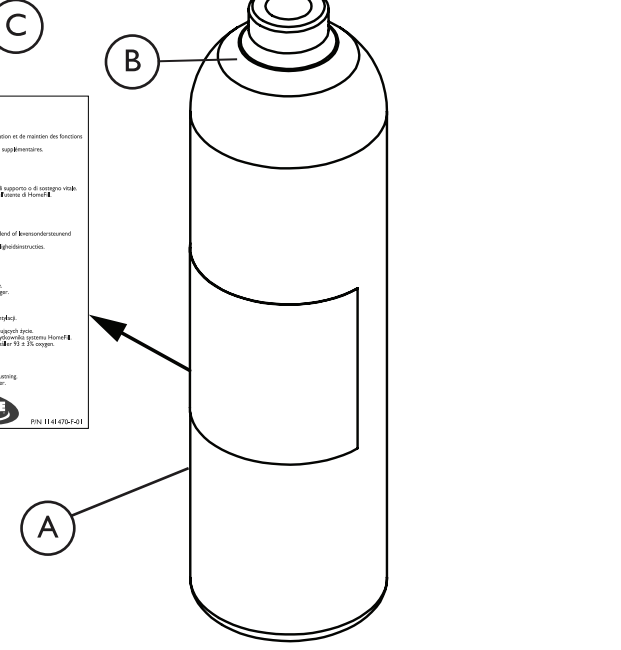


VAROITUS!

- Käytä VAIN pulloja, joissa on Invacare HomeFill II -liitäntä ja HomeFill II -kilpi.
- Kaikki pullot ON TARKASTETTAVA ennen kuin niitä yritetään täyttää. Muussa tapauksessa seurauksena voi olla vamma tai vaurio.

Tunnista HomeFill II -liitännän kanssa yhteensopivan pullon A sen yläosassa olevasta mustasta viivasta B ja HomeFill II -kilvestä C.

GB CLASS 1 E.O.A.D. 21.04.2014 CAT II REF. This cylinder is to be used with the HomeFill System. This cylinder contains 9143.75 oxygen. This tank pressure shall be 2042kPa bar @ 22.2°C. Pressure: 144 bar. Käytössä on vain HomeFill -järjestelmään suunniteltuja pulloja. Tämä pullo sisältää 9143,75 litraa happea. Tämä pullo on tarkoitettu käytettäväksi HomeFill -järjestelmän kanssa. Tämä pullo sisältää 9143,75 litraa happea. Tämä pullo on tarkoitettu käytettäväksi HomeFill -järjestelmän kanssa. Tämä pullo sisältää 9143,75 litraa happea. Tämä pullo on tarkoitettu käytettäväksi HomeFill -järjestelmän kanssa.	F CLASS 1 E.O.A.D. 21.04.2014 CAT II REF. Cet cylindre doit être utilisé avec le système HomeFill. Ce cylindre contient 9143,75 d'oxygène. Cette pression de charge de gaz doit être à 2042kPa bar à 22,2°C. Pression: 144 bar. Ce cylindre doit être utilisé avec le système HomeFill. Ce cylindre contient 9143,75 litres d'oxygène. Cet cylindre doit être utilisé avec le système HomeFill. Ce cylindre contient 9143,75 litres d'oxygène.
CZ CLASS 1 E.O.A.D. 21.04.2014 CAT II REF. Tento válec je určen pouze pro použití s systémem HomeFill. Tento válec obsahuje kyslík o tloušťce 9143,75 l. Tlak nabití plynu musí být 20421 kPa při 22,2°C. Tlak nabití plynu musí být 20421 kPa při 22,2°C. Tento válec je určen pouze pro použití s systémem HomeFill. Tento válec obsahuje kyslík o tloušťce 9143,75 l. Tlak nabití plynu musí být 20421 kPa při 22,2°C. Tlak nabití plynu musí být 20421 kPa při 22,2°C.	I CLASS 1 E.O.A.D. 21.04.2014 CAT II REF. Questo cilindro è destinato all'uso con il sistema HomeFill. Questo cilindro contiene 9143,75 litri di ossigeno. Questo cilindro deve essere usato con il sistema HomeFill. Questo cilindro contiene 9143,75 litri di ossigeno. Questo cilindro deve essere usato con il sistema HomeFill. Questo cilindro contiene 9143,75 litri di ossigeno. Questo cilindro deve essere usato con il sistema HomeFill. Questo cilindro contiene 9143,75 litri di ossigeno.
DK CLASS 1 E.O.A.D. 21.04.2014 CAT II REF. Denne cylinder er kun beregnet til brug med HomeFill systemet. Denne cylinder indeholder 9143,75 liter ilt. Denne cylinder indeholder 9143,75 liter ilt. Denne cylinder er kun beregnet til brug med HomeFill systemet. Denne cylinder indeholder 9143,75 liter ilt. Denne cylinder er kun beregnet til brug med HomeFill systemet. Denne cylinder indeholder 9143,75 liter ilt.	NL CLASS 1 E.O.A.D. 21.04.2014 CAT II REF. Deze fles dient uitsluitend te gebruiken met het HomeFill systeem. Deze fles bevat 9143,75 liter zuurstof. Deze fles dient uitsluitend te gebruiken met het HomeFill systeem. Deze fles bevat 9143,75 liter zuurstof. Deze fles dient uitsluitend te gebruiken met het HomeFill systeem. Deze fles bevat 9143,75 liter zuurstof. Deze fles dient uitsluitend te gebruiken met het HomeFill systeem. Deze fles bevat 9143,75 liter zuurstof.
D CLASS 1 E.O.A.D. 21.04.2014 CAT II REF. Diese Druckflasche darf nur mit dem HomeFill-System verwendet werden. Diese Druckflasche beinhaltet 9143,75 Liter Sauerstoff. Diese Druckflasche beinhaltet 9143,75 Liter Sauerstoff. Diese Druckflasche beinhaltet 9143,75 Liter Sauerstoff. Diese Druckflasche beinhaltet 9143,75 Liter Sauerstoff. Diese Druckflasche beinhaltet 9143,75 Liter Sauerstoff.	N CLASS 1 E.O.A.D. 21.04.2014 CAT II REF. Deze fles dient uitsluitend te gebruiken met het HomeFill systeem. Deze fles bevat 9143,75 liter zuurstof. Deze fles dient uitsluitend te gebruiken met het HomeFill systeem. Deze fles bevat 9143,75 liter zuurstof. Deze fles dient uitsluitend te gebruiken met het HomeFill systeem. Deze fles bevat 9143,75 liter zuurstof. Deze fles dient uitsluitend te gebruiken met het HomeFill systeem. Deze fles bevat 9143,75 liter zuurstof.
E CLASS 1 E.O.A.D. 21.04.2014 CAT II REF. Este cilindro solo debe utilizarse con el sistema HomeFill. Este cilindro contiene 9143,75 litros de oxígeno. Este cilindro solo debe utilizarse con el sistema HomeFill. Este cilindro contiene 9143,75 litros de oxígeno. Este cilindro solo debe utilizarse con el sistema HomeFill. Este cilindro contiene 9143,75 litros de oxígeno. Este cilindro solo debe utilizarse con el sistema HomeFill. Este cilindro contiene 9143,75 litros de oxígeno.	PL CLASS 1 E.O.A.D. 21.04.2014 CAT II REF. Ten cylinder jest przeznaczony wyłącznie do użytku z systemem HomeFill. Ten cylinder zawiera 9143,75 litr tlenu. Ten cylinder jest przeznaczony wyłącznie do użytku z systemem HomeFill. Ten cylinder zawiera 9143,75 litr tlenu. Ten cylinder jest przeznaczony wyłącznie do użytku z systemem HomeFill. Ten cylinder zawiera 9143,75 litr tlenu. Ten cylinder jest przeznaczony wyłącznie do użytku z systemem HomeFill. Ten cylinder zawiera 9143,75 litr tlenu.
H CLASS 1 E.O.A.D. 21.04.2014 CAT II REF. Tämä pullo on tarkoitettu käytettäväksi vain HomeFill -järjestelmän kanssa. Tämä pullo sisältää 9143,75 litraa happea. Tämä pullo on tarkoitettu käytettäväksi vain HomeFill -järjestelmän kanssa. Tämä pullo sisältää 9143,75 litraa happea. Tämä pullo on tarkoitettu käytettäväksi vain HomeFill -järjestelmän kanssa. Tämä pullo sisältää 9143,75 litraa happea. Tämä pullo on tarkoitettu käytettäväksi vain HomeFill -järjestelmän kanssa. Tämä pullo sisältää 9143,75 litraa happea.	S CLASS 1 E.O.A.D. 21.04.2014 CAT II REF. Denna cylinder är endast avsedd för användning med HomeFill-systemet. Denna cylinder innehåller 9143,75 liter syre. Denna cylinder är endast avsedd för användning med HomeFill-systemet. Denna cylinder innehåller 9143,75 liter syre. Denna cylinder är endast avsedd för användning med HomeFill-systemet. Denna cylinder innehåller 9143,75 liter syre. Denna cylinder är endast avsedd för användning med HomeFill-systemet. Denna cylinder innehåller 9143,75 liter syre.



Hydrostaattisen testin päivämäärä

Alumiinipulloille ON TEHTÄVÄ hydrostaattinen testi kymmenen vuoden välein.



VAROITUS!

Loukkaantumisvaara

Loukkaantumisvaaran vähentämiseksi:

- ÄLÄ täytä pulloja, joita ei ole testattu kymmenen edeltävän vuoden aikana. Muussa tapauksessa seurauksena voi olla vakava henkilövahinko. Ota yhteyttä jälleenmyyjään tai kotihoidon laitteiden toimittajaan vaihtoa varten.

Ulkoisen tarkastus

1. Tarkasta, onko pullon ulkopinnassa seuraavia, ja jos on, vaihda pullo:
 - Lommoja tai kuhmuja
 - Sähkövaurioita
 - Öljyä tai rasvaa
 - Muita merkkejä vaurioista, jotka saattaisivat tehdä pullosta käyttökelvottoman tai turvattoman.
2. Tarkasta, onko pullossa merkkejä palo- tai lämpövaurioista. Merkkejä ovat muun muassa maalin tai muun suojapäällysteen tai lämpöherkkyystunnistimen hiiltyminen tai kupliminen. Jos palo- tai lämpövaurioita havaitaan, vaihda pullo.
3. Tarkasta, onko pullon/säätimen yhdistelmässä seuraavia, ja jos on, vaihda:
 - Jäämiä, öljyä tai rasvaa
 - Selviä merkkejä vauriosta
 - Merkkejä ruostumisesta venttiilin sisällä
 - Merkkejä liiallisesta lämmöstä tai tulesta johtuvista vaurioista

4.3 Pullon liittäminen kompressoriin



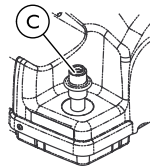
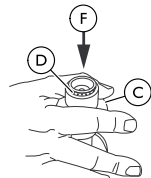
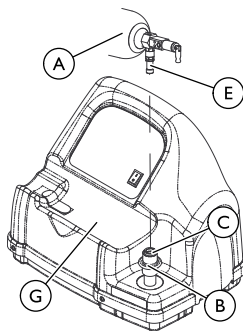
VAROITUS!

– ÄLÄ käytä mitään työkaluja pullon ja kompressorin liittämiseen ja irrottamiseen. Muussa tapauksessa seurauksena voi olla vakava vamma tai vaurio.






VAROITUS!

– ÄLÄ pudota happipulloja. Käsittele ja siirrä happipulloja kaksin käsin. Muussa tapauksessa seurauksena voi olla vamma tai vaurio.
– ÄLÄ käytä nestevuotoilmaisinta vuotojen testaamiseen.



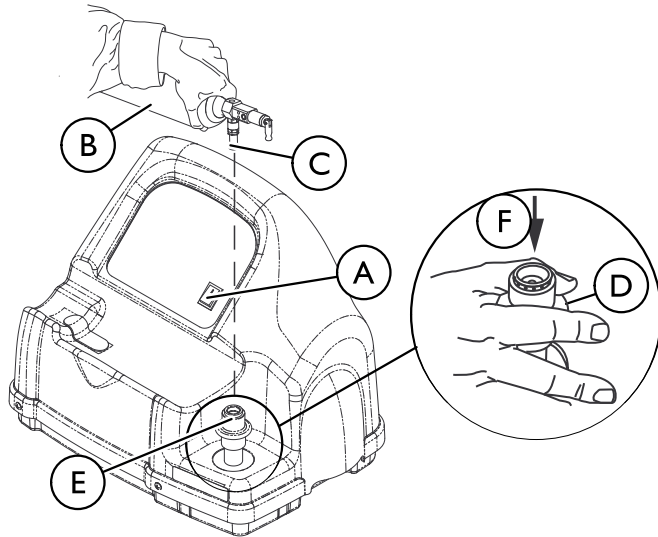
Selvyuden vuoksi täyttöaukon suojuksia ei näy kuvassa.

1. Tarkista tuote näkyvien vaurioiden varalta aina ennen käyttöä. Katso lisätietoja ulkoista tarkastusta koskevasta luvusta. Jos havaitset vaurioita, ÄLÄ käytä tuotetta.
 -  Jos mikä tahansa merkintä ei ole luettavissa tai näkyvissä, ota yhteyttä jälleenmyyjään tai laitteen toimittajaan.
2. Tarkista pullon mittari. Jos pullon paine on alle 1 500 psig (10 342 kPa), jatka VAIHEESEEN 3.
 -  Tarkista pullon mittarin sijainti pullon oppaasta.
Jos pullon paine on **yli** 1 500 psig (10 342 kPa), ÄLÄ täytä pulloa enää. Se ei ehkä täyty.
3. Aseta virtauksen sääntelyn valitsin pullossa **A** Off-asentoon. Katso ohjeet pullon oppaasta.
4. Irrota pullon täyttöaukon suojus ja liittimen täyttöaukon suojus (jos sellainen on).
5. Paina ulkorengas (holkki) **B** ALAS liittimen täyttöaukossa **C** kunnes VIHREÄT pisteet **D** näkyvät, jolloin liitin voidaan asettaa uudelleen.
 -  Jos ulkorengas (holkki) on YLÄASENNOSSA (VIHREÄT pisteet eivät ole näkyvissä), liittimen täyttöaukko ei pysty ottamaan vastaan pullon täyttöaukkoa. **E** Painaminen ALAS **F** asettaa liittimen täyttöaukon uudelleen (VIHREÄT pisteet ovat näkyvissä) ottamaan vastaan pullon täyttöaukon.
6. Pidä kiinni pullon täyttöaukon takana olevasta alueesta.
7. Aseta pullo kompressorin alustaan **G**.

8. Aseta pullon täyttöaukko kohdakkain liittimen täyttöaukon kanssa.
9. Vedä liittimen täyttöaukon ulkorengasta (holkki) YLÖS samalla, kun työnnet pullon ALAS, ja yhdistä pullon täyttöaukko liittimen täyttöaukkoon.

 Pullo on liitetty oikein, kun kuuluu napsahdus.

4.4 Pullon irrottaminen kompressorista

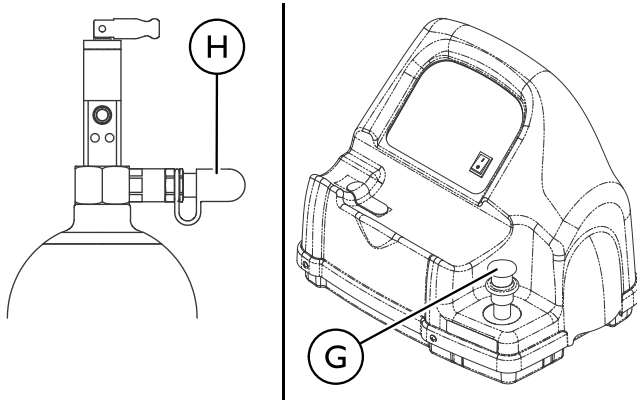


VAROITUS!

– ÄLÄ käytä mitään työkaluja pullon ja kompressorin liittämisesssä ja irrottamisessa. Muussa tapauksessa seurauksena voi olla vakava vamma tai vaurio.

1. Katkaise kompressorista virta kääntämällä virtakatkaisin (A) (O)-asentoon.
2. Pidä pullosta kiinni pullon (B) täyttöaukon (C) takana olevasta alueesta.
3. Tartu toisella kädellä ulkorengaaseen (holkki) liittimen täyttöaukossa (E) ja paina ALAS (F).
4. Poista pullo liittimen täyttöaukosta nostamalla se ylös.

5. Kun pullon täyttöaukko on irrotettu liittimen täyttöaukosta, vapauta liittimen täyttöaukon ulkorengas (holkki), ja poista pullo kaksin käsin kompressorin alustasta.



VAROITUS!

– Liittimen täyttöaukon ja pullon täyttöaukon suojuksia on vaihdettava täyten jälkeen ja kun laite ei ole käytössä. Jos jompikumpi täyttöaukon suojuksista puuttuu, ota ennen käyttöä yhteyttä terveydenhuollon ammattilaiseen.

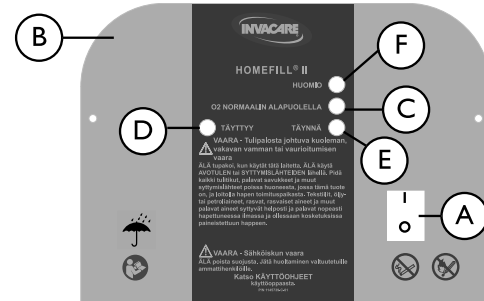
6. Aseta täyttöaukon suojuksia liittimen täyttöaukkoon © ja pullon täyttöaukkoon ④.



Jos käytät pulloa, jossa on pylväuventtiili, kiinnitä hapensäädin valmistajan ohjeiden mukaan.

7. Tarkista pullon mittarista, että pullo on täynnä (neula osoittaa VIHREÄLLE alueelle). Jos pullo ei ole täynnä, toimi seuraavasti:
- Toista pullon kiinnittäminen kompressorin oppaan tämän luvun ohjeiden mukaan.
 - Jos pullo ei ole täynnä toisen täyttöyrityksen jälkeen, ota yhteyttä toimittajaan.

4.5 Kompressorin virran kytkeminen ja katkaiseminen



1. Varmista, että rikastimeen on kytketty virta. Katso rikastimen käyttöopas.



Happirikastimen suurin virtausnopeus potilaskäytössä on ilmoitettu alla olevassa taulukossa. Muussa tapauksessa kompressorin happitaso on <90 %, eikä kompressori täytä pulloa.

Invacare-happirikastin	Suurin ulosvirtaus potilaskäytössä
Platinum 5	2,5 l/min
Platinum 9	5 l/min
Perfecto ₂	2,5 l/min



Potilaat, joille on määrätty suurempi nopeus, eivät saa täyttää pulloa saadessaan lisähappihoitoa happirikastimesta.

2. Aseta rikastimen potilaalle antaman virtauksen nopeudeksi enintään 2,5 l/min, kun käytössä on Platinum 5- tai Perfecto₂ -happirikastin ja enintään 5 l/min, kun käytössä on Platinum 9 -happirikastin. Katso ohjeet rikastimen käyttöoppaasta.
3. Varmista, että pullo on liitetty kompressoriin. Katso kohta Pullon liittäminen kompressoriin tämän oppaan tästä luvusta.
4. Paina ohjauspaneelissa oleva virtakatkaisin (A) On (I) -asentoon.

5. Tarkasta ohjauspaneeli (B). Seuraavan tapahtumasarjan pitäisi näkyä:

- 0–3 minuuttia - O₂ normaalin alapuolella (KELTAINEN) -valo (C) palaa, kun kompressori lämpenee.
- Kolmen minuutin jälkeen – TÄYTTÄÄ (VIHREÄ) -valo (D) palaa, kun pulloa täytetään.
- TÄYSI (VIHREÄ) -valo (E) palaa, kun pullo on täynnä. Suorita seuraavaksi VAIHE 6.



O₂ alle normaalin (KELTAINEN) -valo saattaa palaa, jos rikastimen happitaso ei ole vielä noussut vähintään 90 prosenttiin tai on laskenut sen alle. Kompressori aloittaa täytön tai jatkaa sitä, kun happitaso nousee 90 prosenttiin. Jos valo ei sammu 10 minuutin kuluessa, katso tämän oppaan kohta Vianmääritys.

Jos HUOMIO (PUNAINEN) -valo palaa ja kuulet hälytysäänimerkin (F), katso tämän oppaan kohta Vianmääritys.

6. Poista täysi pullo. Katso oppaan tästä luvusta kohta Pullon irrottaminen kompressorista.
7. Katkaise virta painamalla virtakytkin (O) -asentoon.



Katso pullon/säätimen yhdistelmän käyttöoppaasta toiminta ja käyttö.

5 Huolto

5.1 Kunnossapitotiedot



VAARA!

Sähköiskun vaara

Tämä yksikkö sisältää liikkuvia osia ja korkeapaineosia. Kannen alla ei ole käyttäjän huollettavissa olevia osia.

Sähköiskun, kuoleman tai vamman välttämiseksi:

- ÄLÄ poista suojusta.
- Jätä huoltaminen valtuutetuille ammattihenkilöille.



VAROITUS!

- Käyttäjä saa suorittaa vain tässä osassa määritetyt toiminnot ja menettelyt. Pätevän teknikon on suoritettava kaikki muut toiminnot ja menettelyt.

5.2 Kuluminen

Invacare pidättää oikeuden pyytää takaisin mikä tahansa tuote, jossa on väitetty olevan valmistusvirhe. Tarkemmat takuutiedot löydät tämän oppaan takuuta käsittelevästä osasta.

Tarkemmat tiedot ennaltaehkäisevän huollon aikataulusta ja tuotteen käytöstä löydät käyttöoppaasta.

Tämä on vain yleinen ohje, joka ei sisällä väärinkäytöksistä johtuvia vahinkoja. Käyttöikään vaikuttaa moni tekijä.

Tämän tuotteen tavalliset kulumiselle alttiit osat ja komponentit on lueteltu seuraavassa.

- Kaikki suodattimet
- Kaikki letkut

5.3 Käyttöikä



VAROITUS!

Vamman tai vaurion vaara

Tuotteen on testattu kestävän tässä oppaassa ilmoitetun käyttöajan ajan. Tuotteen käyttö tämän aikajakson jälkeen saattaa aiheuttaa vamman tai tuotevaurion.

- Käytä tuotetta VAIN tässä oppaassa ilmoitetun käyttöajan ajan. ÄLÄ ylitä tuotteen ilmoitettua käyttöikää.
- Tee kaikki huoltotoimenpiteet tässä oppaassa suositellun aikataulun mukaan.

Tämän tuotteen odotettu käyttöikä on viisi vuotta tai 5 000 käyttötuntia, kun sitä käytetään tämän oppaan mukaisten turvallisuusohjeiden, kunnossapitovälien ja asianmukaisen käytön mukaisesti. Tehokas käyttöikä voi vaihdella sen mukaan, miten usein ja voimakkaasti tuotetta käytetään. Kunnossapito on tehtävä vähintään kerran viikossa.

5.4 Kompressorin suodattimen puhdistaminen




VAROITUS!

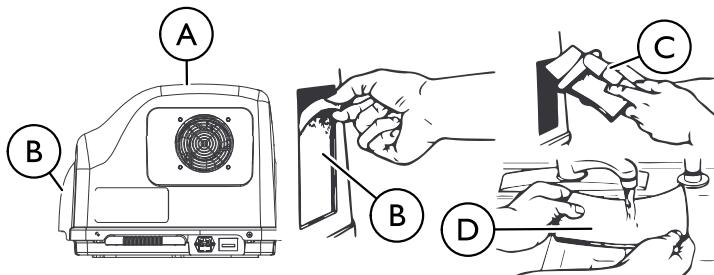
- Katkaise virta kääntämällä virtakatkaisin (O)-asentoon ja irrota kompressorin virtajohto ennen puhdistamista.
- ÄLÄ käytä kompressoria, ellei suodatinta ole asennettu.



HUOMIO!

- ÄLÄ irrota virtajohtoa johdosta vetämällä. Kun irrotat virtajohdon, pidä kiinni pistokkeesta, älä johdosta, sillä se saattaa aiheuttaa vaurioita.

-  Kaikissa kompressoreissa on yksi suodatin kotelon takana.
Suorita tämä menettely vähintään kerran viikossa.



1. Irrota kompressorin virtajohto **A**. Pidä kiinni pistokkeesta, älä johdosta.
2. Poista suodatin **B**.
3. Puhdista suodatin pölynimurilla **C** tai pese lämpimässä saippuvedessä ja huuhtelee huolellisesti **D**.
4. Kuivaa suodatin huolellisesti ennen takaisinasentamista.

5.5 Kotelon puhdistaminen



VAARA!

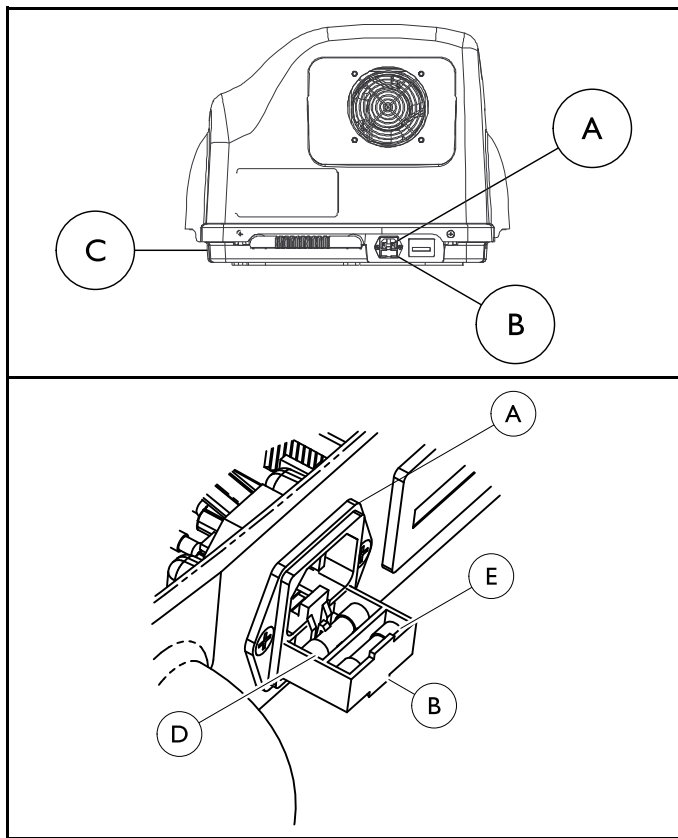
Sähköiskun vaara

Tämä yksikkö sisältää liikkuvia osia ja korkeapaineosia. Kannen alla ei ole käyttäjän huollettavissa olevia osia. Sähköiskun, kuoleman tai vamman välttämiseksi:

- ÄLÄ poista suojusta.
- Jätä huoltaminen valtuutetuille ammattihenkilöille.

1. Puhdista kotelo miedolla kotitalouksissa käytettävällä puhdistusaineella ja hankaamattomalla liinalla tai sienellä.

5.6 Varokkeen vaihtaminen



1. Irrota virtajohto pistorasiasta.
2. Irrota virtajohto virran sisäänottoaukosta (A) kompressorin pohjassa (C).
3. Vedä varokelaatikko (B) esiin sisäänottoaukon alta.
4. Irrota etuvaroke varokevetimellä tai pienellä talttapäärüuvimeisselillä varokelaatikosta ja hävitä se.



Varokelaatikossa on tilaa kahdelle varokkeelle. Etuosa on käytettävää varoketta varten. Laitteen mukana toimitetaan vain etuvaroke. Takaosa on valinnaista varavaroketta varten. Varmista etuvaroketta vaihdettaessa, että varokelaatikossa on varavaroke, jonka tyyppi ja luokitus ovat samat.

5. Pane vaihtovaroke etuvarokkeen (D) uraan.



Käytä vain seuraavanlaista varoketta: 5 mm x 20 mm, viive, matala katkaisukyky, 250V, 2 Amp, IEC 60127 (Invacaren osa numero 1099820).

6. Työnnä varokelaatikko takaisin sisäänottoaukkoon.
7. Työnnä virtajohto sisäänottoaukkoon kompressorin pohjassa.
8. Kytke virtajohto pistorasiaan.
9. Käännä virtakatkaisin (I)-asentoon ja tarkista, että laitteeseen tulee virta asianmukaisesti.
10. Jos laite ei kytkeydy päälle, katkaise virta, irrota virtajohto ja ota yhteyttä jälleenmyyjäsi tai Invacareen huoltoon varten.

6 Käytön jälkeen

6.1 Hävittäminen

Tämän tuotteen toimittaa ympäristön huomioon ottava valmistaja, joka noudattaa toiminnassaan sähkö- ja elektroniikkaromua koskevaa WEEE-direktiiviä 2012/19/EU.

Tämä tuote saattaa sisältää aineita, jotka voivat vahingoittaa ympäristöä, jos ne hävitetään paikoissa (kaatopaikoilla), jotka eivät ole lainsäädännön mukaan asianmukaisia.

Symboli, jossa roskasäiliön päälle on piirretty rasti, tarkoittaa, että tuote on kierrätettävä mahdollisuuksien mukaan.

Noudata paikallishallinnon määräyksiä ja kierrätysohjeita laitteen tai sen toiminnassa tavallisesti käytettävien osien hävittämisen osalta. Laite ei tuota käytettäessä jätettä tai jäämiä. ÄLÄ hävitä laitetta tavallisen kotitalousjätteen mukana. Kaikki lisävarusteet, jotka eivät ole osa laitetta, ON KÄSITELTÄVÄ hävittämistä koskevan yksilöllisen tuotemerkinnän mukaan.

Suojele ympäristöä ja kierrätä tuote käytön jälkeen. Ota yhteyttä Invacareen tai palveluntarjoajaasi tuotteen kierrätystiedoista.

7 Häiriöiden korjaaminen

7.1 Merkkivalot

Merkkivalon väri	Kompressorin tila	Vaikutus
Ei mitään	Kompressorissa ei ole virtaa.	O ₂ virtaa käyttäjälle, jos rikastimeen on kytketty virta.
O ₂ NORMAALIN ALAPUOLELLA - KELTAINEN	Kompressoriin on kytketty virta ja se lämpenee (0–3 minuuttia sen jälkeen, kun virta on kytketty).	Pullon täyttö ei ole alkanut.
	O ₂ rikastimesta on <90 % (milloin tahansa kolme minuuttia virran kytkemisen jälkeen).	O ₂ virtaa käyttäjälle, jos rikastimeen on kytketty virta.
TÄYTTÖ – VIHREÄ	Kompressoriin on kytketty virta, ja pullo täyttyy. O ₂ rikastimesta on >90 % (milloin tahansa kolme minuuttia virran kytkemisen jälkeen).	Pullon täyttö loppuu ja alkaa uudelleen, kun O ₂ > 90%.
		O ₂ virtaa käyttäjälle, jos rikastimeen on kytketty virta.
TÄYTTÖ – VIHREÄ	Kompressoriin on kytketty virta, ja pullo täyttyy. O ₂ rikastimesta on >90 % (milloin tahansa kolme minuuttia virran kytkemisen jälkeen).	Pullo täyttyy.
		O ₂ virtaa käyttäjälle, jos rikastimeen on kytketty virta.

Merkkivalon väri	Kompressorin tila	Vaikutus
TÄYNNÄ - VIHREÄ	<p>Kompressoriin on kytketty virta. Pullon täyttö loppui (täynnä) – poista pullo (TÄYNNÄ-valo palaa >10 minuuttia.)</p> <p>tai</p> <p>Pulloa ei ole kiinnitetty kunnolla – tarkasta liitäntä (TÄYNNÄ-valo palaa <10 minuuttia.).</p>	<p>Pullon täyttö loppuu.</p> <p>Toista pulloa ei voi täyttää, ennen kuin kompressorin virta on katkaistu ja sitten kytketty uudelleen.</p> <p>O₂ virtaa käyttäjälle, jos rikastimeen on kytketty virta.</p>
HUOMIO – PUNAINEN (äänimerkki)	<p>Kompressoriin on kytketty virta. Pullo EI täyty. Syyt:</p> <p>Täysi pullo kiinnitetty, kun laitteessa on virta – vaihda tyhjään pulloon</p> <p>tai</p> <p>Sisäinen virhe – ota yhteyttä jälleenmyyjään.</p>	<p>Kompressori ei aloita täyttöä tai lopettaa täytön.</p> <p>Laitteen virta on katkaistava ja kytkettävä uudelleen, ennen kuin pullon voi täyttää.</p> <p>O₂ virtaa käyttäjälle, jos rikastimeen on kytketty virta.</p>

7.2 Vianmääritys

Ongelma	Ratkaisu
<p>Ei merkkivaloja, kun kompressoriin on kytketty virta.</p>	<ol style="list-style-type: none"> 1. Katkaise virta (O). 2. Tarkista, että virtajohto on kytketty kunnolla kompressoriin ja pistorasiaan. 3. Kytke kompressoriin virta (I). 4. Puhdista ilmasuodattimet. Katso kompressorin suodattimen puhdistamista käsittelevä kohta oppaan kunnossapitoa käsittelevästä luvusta. 5. Jos vaiheiden 1–4 suorittaminen ei saa merkkivaloja palamaan, ota yhteyttä kotisairaanhoidon palveluntarjoajaasi tai Invacareen huoltoa varten.
<p>PUNAINEN valo palaa</p>	<ol style="list-style-type: none"> 1. Tarkista pullon mittarista, onko pullo täynnä: <ul style="list-style-type: none"> • Pullo täynnä – Irrota pullo ja katkaise virta. Jos pullo ei ole täynnä, suorita pullon täyttöä edeltävä tarkastus oppaan Käyttö-osan ohjeiden mukaan. • Pullo ei täysi – Jatka vaiheeseen 2. 2. Tarkista, että pullo on liitetty oikein. <ul style="list-style-type: none"> • Katkaise kompressorista virta (O). • Irrota pullo ja aseta se uudelleen. • Kytke kompressoriin virta (I). Jos pullo ei ole täysi ja se on liitetty oikein, kompressorissa voi olla sisäinen vika. Ota yhteyttä kotisairaanhoidon palveluntarjoajaasi tai Invacareen.

Ongelma	Ratkaisu
<p>Kompressorissa on välillä virta ja välillä ei tai O₂ normaalin alapuolella (keltainen)- ja täyttyy (vihreä) -valot vaihtelevat tai O₂ alle normaalin (keltainen) -valo syttyy ja sammuu</p>	<ol style="list-style-type: none"> 1. Tarkista, että rikastimen virtausnopeus on enintään 2,5 l/min Platinum 5 tai Perfecto₂ -rikastimilla tai enintään 5 l/min Platinum 9 -rikastimilla. Säädä tarvittaessa virtausasetuksia (katso rikastimen käyttöopas). Odota ainakin 20 minuuttia, että VIHREÄ valo syttyy. Jos se ei syty, siirry vaiheeseen 2. 2. Rikastin saattaa tarvita huoltoa, ota yhteyttä kotisairaanhoidon palveluntarjoajaasi tai Invacareen.
<p>O₂ alle normaalin (KELTAINEN) -valo palaa jatkuvasti</p>	<ol style="list-style-type: none"> 1. Varmista, että rikastin on lämmennyt ainakin 20 minuuttia. Jos se ei ole lämmennyt 20 minuuttia, katkaise kompressorista virta siihen asti, että rikastin on lämmennyt tarpeeksi. Jos KELTAINEN valo palaa edelleen, siirry vaiheeseen 2. 2. Tarkasta, onko kompressorin ja rikastimen välinen liitäntä vaurioitunut tai puristuksissa. <ul style="list-style-type: none"> • Jos on vaurioitunut, vaihda se. • Jos se on puristuksissa, suorista letkut. Katkaise kompressorista virta (O) ainakin kymmeneksi sekunniksi. Kytke kompressorin virta (I). Jos KELTAINEN valo palaa edelleen kymmenen minuutin jälkeen, siirry vaiheeseen 3. 3. Rikastin saattaa tarvita huoltoa, ota yhteyttä kotisairaanhoidon palveluntarjoajaasi tai Invacareen.

Ongelma	Ratkaisu
<p>Täyttöajat ylittävät suurimmat suositellut täyttöajat TAI VIHREÄ täyttövalo palaa.</p>	<ol style="list-style-type: none"> 1. Varmista, että pullon säädin on asetettu Off-asentoon (O). 2. Tarkista suositellut täyttöajat kyseisen pullon oppaasta. 3. Tarkista, että pullo on liitetty oikein. Katkaise kompressorista virta (O). Irrota pullo ja aseta se uudelleen. Kytke kompressorin virta (I). 4. Tarkista, onko kompressorin/rikastimen johto liitetty oikein tai onko siinä vaurioita (eli vuotoja tai kiertymiä). 5. Tarkista, että rikastimen virtausnopeus on enintään 2,5 l/min Platinum 5 tai Perfecto₂ -rikastimilla tai enintään 5 l/min Platinum 9 -rikastimilla. Säädä tarvittaessa virtausasetuksia (katso rikastimen käyttöopas). Jos VIHREÄ täyttövalo ei sammu, kompressorin tai rikastimen saattaa tarvita huoltoa. Ota yhteyttä kotisairaanhoidon palveluntarjoajaasi tai Invacareen.
<p>Liiallinen melu, kun kompressorin on kytketty virta</p>	<ol style="list-style-type: none"> 1. Soita kotisairaanhoidon palveluntarjoajallesi tai Invacareen huoltoa varten.
<p>Sihisevä ääni säätimestä, kun virtauksen valitsin on Off-asennossa</p>	<ol style="list-style-type: none"> 1. Katkaise virta virtauksen valitsimesta. 2. Jos sihisevä ääni jatkuu, soita kotisairaanhoidon palveluntarjoajallesi tai Invacareen.
<p>Säädin on päällä, mutta O₂ ei kulje</p>	<ol style="list-style-type: none"> 1. Täytä pullo uudelleen. 2. Tarkista, että kanyyli on suorassa ja että se ei ole puristuksissa. Jos on vaurioitunut, vaihda se. 3. Soita kotisairaanhoidon palveluntarjoajallesi tai Invacareen huoltoa varten.



Tarkista oikeat täyttöajat pullon oppaasta.

Täyttöajat ovat likimääräisiä ja saattavat vaihdella ympäristöolosuhteiden mukaan.

8 Tekniset tiedot

8.1 Tekninen kuvaus

HomeFill II -happijärjestelmä (IOH200AW) on kotona käytettävä sähkömekaaninen hoitojärjestelmä. Sen toiminnan ja käytön tarkoituksena on toimittaa paineistettua happea Invacaren ambulatorisesti käytettävien happipullojen täyttämiseen, kun potilas saa hoitohappea happirikastimesta. IOH200AW-kaasujärjestelmä on tarkoitettu käytettäväksi Invacaren sellaisen happirikastimen kanssa, jossa on sisäinen HF2-lisävarusteaukko ja joka voi saada aikaaan yli 90 %:n O₂-kaasupitoisuuden noin 2 l/min, kun toimitus tapahtuu potilaan hoidon virtausnopeudella.



Happirikastimen suurin virtausnopeus potilaskäytössä on ilmoitettu alla olevassa taulukossa. Muussa tapauksessa kompressorin happitaso on <90 %, eikä kompressori täytä pulloa.

Invacare-happirikastin	Suurin ulosvirtaus potilaskäytössä
Platinum 5	2,5 l/min
Platinum 9	5 l/min
Perfecto ₂	2,5 l/min

HomeFill II -happijärjestelmässä on IOH200AW-kaasukompressori, liitäntäletkut ja Invacaren toimittamat kannettavat kaasupullot, joissa on sisäinen virtauksensäädin ja lukittuva täyttöliitin.

IOH200AW-kompressorissa on monivaiheinen kompressori, sisäinen säiliö, ohjaussähkölaitteet ja sisäinen happipitoisuusanturi, lukittuva täyttöliitin, tuloliitin ja ohjausmoottori. Kompressorin toimintaa ohjataan sähkölaitteella. Moottorin/kompressorin avulla

pullon voi täyttää vain, kun tulokaasuvirtauksen happipitoisuus on yli 90 %, ja pullon paine ei ole vielä yli 1 500 PSI (10 342 kPa). Moottorin/kompressorin täyttö on saatettu loppuun, kun pullossa oleva kaasu saavuttaa 2 000 PSI:n (13 786 kPa) enimmäistäyttöpaineen.

IOH200AW-kompressorilla voidaan täyttää pulloja liikkuvien potilaiden kannettavaan käyttöön. Invacaren toimittamissa kannettavissa kaasupulloissa on lukittuva täyttöliitin, joka sopii ainoastaan Invacaren IOH200AW-kompressorilaitteeseen. Kaasupullossa on myös sisäinen virtauksensäädin, jossa on kiinteät, valittavissa olevat virtausasetukset.

8.2 Pullon täyttöajat

PULLON TÄYTTÖAJAT	Rikastimen virtausnopeus potilaaseen:	
	Platinum 5 enintään 2,5 l/min.	
	Perfecto ₂ enintään 2,5 l/min.	
	Platinum 9 enintään 5 l/min.	
	HF2PCE9A	HF2PCE6A
NORMAALI	2 h 20 min	1 h 25 min
SUURIN	2 h 45 min	1 h 50 min



Kaikki täyttöajat ovat likimääräisiä ja saattavat vaihdella ympäristöolosuhteiden mukaan.

8.3 Tekniset tiedot

Standardiluettelot:	EN/IEC 60601-1
	EN/IEC 60601-1-2
Sähköarvot:	230 V~, 1,0 A, 50 Hz
Käyttöympäristö:	5–40 °C (41–104 °F), ei-tiivistyvä kosteus 15–60 %
Ilmanpaine:	700–1 060 hPa
Varastointi ja kuljetus:	–23–70 °C (–25–158 °F), ei-tiivistyvä kosteus 15–95 %.
Vaadittu syöttöpaine:	14–21 psi (96,5–144,7 kPa)
Vaadittu syöttövirtaus:	2 l/min
Syöttö O ₂ % vaadittu:	>90 % O ₂
Leveys:	51,44 cm (20 ¼ tuumaa)
Korkeus:	38,1 cm (15 tuumaa)
Syvyys:	40,64 cm (16 tuumaa)
Paino:	14,97 kg (33 paunaa)
Kuljetuspaino:	17,69 kg (39 paunaa)
Sovelletun osan maksimilämpötila	50 °C (122 °F)

Innholdsfortegnelse

Denne veiledningen skal overleveres til sluttbrukeren. Les denne veiledningen FØR du bruker produktet, og behold den for fremtidig referanse.

1 Generell informasjon	102
1.1 Symboler	102
1.2 Tiltent bruk	103
1.3 Garanti	104
2 Sikkerhet	105
2.1 Generelle retningslinjer	105
2.2 Plassering av etiketter	108
2.3 Informasjon til forhandlere	110
2.4 Dobbelisolerte produkter	110
2.5 EMC-informasjon	110
3 Montering	112
3.1 Pakke ut	112
3.2 Sjekkliste ved første gangs oppsett av kompressor	112
3.3 Velge plassering	113
3.4 Transportere kompressoren	114
3.5 Montere strømledningen	114
3.6 Koble kompressoren til konsentratoren	115
4 Bruk	116
4.1 Sjekkliste ved bruk av kompressor	116
4.2 Kontroll av flaske før påfylling	117
4.3 Koble flasker til kompressorer	119
4.4 Koble flasken fra kompressoren	120
4.5 Slå kompressoren på og av	121
5 Vedlikehold	123
5.1 Informasjon om vedlikehold	123

5.2 Slitasje	123
5.3 Levetid	123
5.4 Rengjøre kompressorfilteret	123
5.5 Rengjøre kabinettet	124
5.6 Bytte sikring	125
6 Etter bruk	126
6.1 Avfallshåndtering	126
7 Problemløsning	127
7.1 Indikatorlamper	127
7.2 Problemløsning	129
8 Tekniske data	132
8.1 Teknisk beskrivelse	132
8.2 Påfyllingstider for flaske	133
8.3 Spesifikasjoner	133

I Generell informasjon

I.1 Symboler

Symboler i denne håndboken

I denne håndboken brukes bestemte symboler for å angi risiko eller utrygge fremgangsmåter som kan resultere i personskade eller skade på eiendom. Nedenfor finner du definisjoner av disse symbolene.



FARE!

– Angir en situasjon med overhengende fare som, hvis man ikke unngår den, vil føre til død eller alvorlig personskade.



ADVARSEL!

– Angir en potensielt farlig situasjon som, hvis man ikke unngår den, kan føre til død eller alvorlig personskade.



FORSIKTIG!

– Angir en potensielt farlig situasjon som, hvis man ikke unngår den, kan føre til skade på materiell, mindre personskade eller begge deler.



VIKTIG

– Angir en farlig situasjon som kan føre til skade på materiell dersom den ikke unngås.



Gir nyttige tips, anbefalinger og opplysninger når det gjelder effektiv og problemfri bruk.

Symboler på produktet

Symbolene nedenfor benyttes på kompressoren, kompressorens emballasje eller oksygenflasken.



Les håndboken (kompressoren)



Symbolet har blå bakgrunn på produktetikettene.



Les håndboken (flasken)



Fare for elektrisk støt



Vekselstrøm



Type BF-utstyr – kontakt del



Strømbryter "PÅ"



Strømbryter "AV"



IKKE røyk



Ingen åpen flamme



Klasse II, dobbeltisolert. Se Dobbeltisolerte produkter i delen Sikkerhet i håndboken.




Holdes tørt under transport eller oppbevaring, og under bruk



Sikring




Oksiderende

 Symbolet har gul bakgrunn på produktetikettene.



Ikke brennbar gass, klasse 2 (oksygen)

 Symbolet har grønn bakgrunn på produktetikettene.



Temperatur, transport og oppbevaring



Luftfuktighet, transport og oppbevaring



Lever produktet til gjenvinning. Se Kassering av utstyr og tilbehør i delen Etter bruk i håndboken.



Dette produktet er i samsvar med EU-direktivet 93/42/EØF om medisinsk utstyr.

Lanseringsdatoen for dette produktet er oppgitt i CE-samsvarserklæringen.



Forhandler i Europa



Produsent

I.2 Tiltentkt bruk



ADVARSEL!

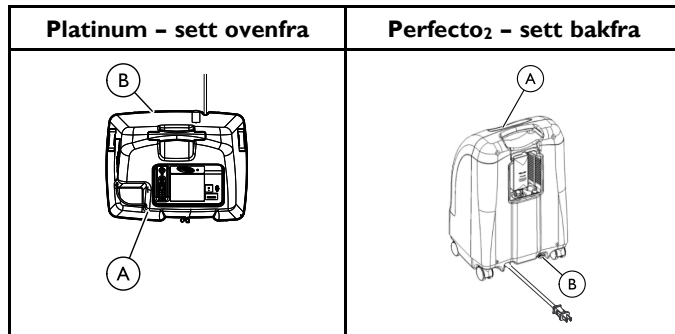
- Dette apparatet skal kun brukes til å fylle opp en særskilt pasient sin egne oksygenflasker. De angitte flaskene MÅ KUN brukes av den særskilte oksygenpasienten og skal ikke gjøres tilgjengelige for andre personer uansett formål.
- Annen bruk av dette utstyret er ikke indisert.



ADVARSEL!

- Risiko for død, personskade eller skade på utstyr**
- Invacares HomeFill-kompressor skal kun brukes sammen med Invacare-oksygenkonsentratorer. Dersom den brukes sammen med andre typer apparater, kan dette føre til personskade, død eller skade på utstyr.
- IKKE bruk Invacares HomeFill-kompressor sammen med noe annet enn en Invacare-oksygenkonsentrator.
 - Skal kun brukes sammen med spesialutformede Invacare-oksygenkonsentratorer som er HomeFill-kompatible.

Du kan slå fast om en oksygenkonsentrator er HomeFill-kompatibel, ved å se etter en utløpskobling (B) i det nedre høyre hjørnet på baksiden av oksygenkonsentratoren (A).



Invacare-kompressoren HomeFill er et tilbehør til en Invacare-oksygenkonsentrator som gjør det mulig for pasienten å fylle opp individuelt tilpassede bærbare oksygenflasker for personlig bruk.

Dette produktet er beregnet på bruk av én pasient og kun i et innendørs hjemmpleiemiljø, og skal ikke brukes til massefylling av flasker.

Det kreves ingen særskilt annen produktkunnskap eller -opplæring for å bruke produktet enn det som er angitt i denne håndboken.

Produktet er ikke beregnet for å brukes til oksygenbehandling under påfylling.

Dette produktet er beregnet på bruk av eller under tilsyn av voksne som har lest og forstått anvisningene og advarslene i denne bruksanvisningen.

1.3 Garanti

Garantivilkårene er en del av de generelle vilkårene som gjelder i hvert land hvor dette produktet markedsføres.

2 Sikkerhet

2.1 Generelle retningslinjer



FARE!

Fare for død, personskade eller skade på utstyr

Feil bruk av produktet kan føre til død eller skade på personer eller utstyr. Denne delen inneholder viktig informasjon om hvordan du bruker produktet på en trygg måte.

- Du må **IKKE** bruke dette produktet eller tilgjengelig tilleggsutstyr uten først å ha lest og forstått denne veiledningen og eventuelle andre instruksjoner, for eksempel bruksanvisninger, servicehåndbøker eller instruksjonsark som følger med dette produktet eller tilleggsutstyr.
- Hvis du har problemer med å forstå advarslene, forsiktighetsmeldingene eller instruksjonene, bør du ta kontakt med kvalifisert helsepersonell, en forhandler eller teknisk personell før du bruker dette utstyret.
- Kontroller **ALLE** utvendige deler og emballasje med tanke på skade. Kontakt en tekniker eller Invacare dersom noe er skadet eller produktet ikke fungerer som det skal, slik at det kan bli reparert.
- Disse anvisningene **MÅ** følges for å sikre at installasjonen, monteringen og bruken av kompressoren HomeFill skjer på en trygg måte.
- **INFORMASJONEN I DETTE DOKUMENTET KAN ENDRES UTEN VARSEL.**



FARE!

Fare for død, personskade eller skade på utstyr på grunn av brann

Tekstiler, olje- eller petroleumsholdige stoffer, fett, fettholdige stoffer og andre brennbare stoffer er lettantennelige og brenner kraftig i oksygenrik luft og når de kommer i kontakt med oksygen under trykk. Unngå brann, død, personskade eller skade på utstyr:

- **IKKE RØYK** når du bruker dette utstyret.
- **IKKE** bruk produktet nær **ÅPEN ILD** eller **TENNKILDER**.
- **IKKE** bruk smøremidler på kompressoren med mindre det er anbefalt av Invacare.
- **RØYKING FORBUDT**-skilt bør være plassert godt synlig.
- Unngå gnistdannelse nær oksygenutstyr. Dette innbefatter gnister fra statisk elektrisitet dannet ved friksjon.
- Hold alle fyrstikker, tente sigaretter og andre antenneskilder borte fra rommet som denne kompressoren befinner seg i, og borte fra området hvor det blir gitt oksygen.
- Oksygenlanger, ledninger og kompressoren selv må aldri dekkes til av tepper, sengetøy, stolputer eller klær og må holdes borte fra varme overflater, inkludert ovner, komfyrer og lignende elektriske apparater.



FARE!

Fare for død, personskade eller skade på utstyr på grunn av brann

Tekstiler, olje- eller petroleumsholdige stoffer, fett, fettholdige stoffer og andre brennbare stoffer er lettantennelige og brenner kraftig i oksygenrik luft og når de kommer i kontakt med oksygen under trykk. Unngå brann, død, personskade eller skade på utstyr:

- IKKE LA olje fra hendene dine eller fra andre kilder komme i kontakt med kompressorkoblingen eller med koblinger på flasken. Disse stoffene kan bli brennbare sammen med oksygen og kan forårsake personskade. Unngå å berøre flaskekoblingene når det ikke er nødvendig. For eksempel bør du unngå håndkrem, matlagingsolje, sololje, solkrem og lignende produkter som inneholder olje. Hvis du bruker slike produkter, anbefaler Invacare at du vasker hendene før du bruker HomeFill-enheten. Hvis flaskekoblingen kommer i kontakt med slike stoffer, bør den rengjøres med en fuktig klut før den kobles til kompressoren.
- Påfør ALDRI olje på kompressorkoblingen eller flaskekoblingene. Bruk ALDRI penetrerende olje eller smøremidler som WD-40® eller 3-in-1 Oil®. Dersom det er vanskelig å koble til, sjekker du først at flasketilkoblingen blir satt rett inn i kompressorkoblingen. Dersom problemet vedvarer, kontakter du leverandøren for hjelp.



FARE!

Fare for elektrisk støt.

Denne enheten inneholder bevegelige komponenter og komponenter under høyt trykk. Det er ingen deler under dekselet som brukeren kan utføre service på. Slik unngår du elektrisk støt, personskade eller død:

- IKKE ta av dekselet.
- Overlat vedlikehold og reparasjoner til kvalifisert personell.



ADVARSEL!

Fare for alvorlig personskade eller skade på utstyr

Bruk av tilbehør som ikke er produsert av Invacare kan føre til alvorlig personskade eller skade på produktet.

- Produktene fra Invacare er utviklet og produsert spesielt for bruk sammen med tilbehør fra Invacare. Tilbehør fra andre produsenter er ikke testet av Invacare og er ikke anbefalt for bruk sammen med produkter fra Invacare.
- IKKE bruk tilbehør som ikke er produsert av Invacare.
- Ta kontakt med Invacare på telefon eller på www.invacare.com for å få tak i tilbehør fra Invacare

**ADVARSEL!****Personskaderisiko eller risiko for skade på utstyr**

Dersom luftgjennomstrømningen inn til og ut av kompressoren blokkeres, kan dette medføre skade på personer eller utstyr.

- Blokker ALDRI luftåpningene på produktet, og sett det aldri på et mykt underlag som en seng eller sofa, hvor luftåpningene kan bli blokkert.
- Hold åpningene frie for lo, hår og liknende fremmedlegemer.

**ADVARSEL!****Risiko for personskade eller skade på utstyr**

Et skadet produkt kan slutte å fungere og forårsake skade på personer eller utstyr. Unngå skade på personer eller utstyr:

- Påse at kompressoren IKKE blir våt.
- Dersom kompressoren har en skadet ledning eller kontakt, ikke fungerer skikkelig eller har falt i gulvet, i vann eller har fått skader på annen måte, må du kontakte en kvalifisert tekniker for undersøkelse og reparasjon.

**ADVARSEL!**

– IKKE BRUK kompressoren utendørs. Kun for innendørs bruk.

- Hvis du oppdager lekkasje på oksygenflasken, må du IKKE forsøke å bruke den. Sett flowhjulet på regulatoren til Av (Off). Hvis lekkasjen vedvarer, plasserer du flasken utendørs og varsler leverandøren av hjemmepleietjenester eller servicerepresentanten om problemet.
- Barn bør ALLTID være under oppsyn ved bruk av HomeFill-enheten. Når enheten brukes sammen med et HomeFill-bord eller et lignende hevet støtteunderlag, kan et barn velte bordet, og enheten kan falle i gulvet. Hvis denne advarselen ikke tas til følge, kan det resultere i personskade og/eller skade på produktet.

**ADVARSEL!****Personskaderisiko eller risiko for skade på utstyr**

HomeFill er utstyrt med en overtrykksventil av hensyn til brukerens sikkerhet. Når den aktiveres, vil overtrykksventilen avgi en svært kraftig lyd. Unngå skade på personer eller utstyr:

- Når du hører en slik lyd, slår du av enheten og varsler leverandøren av hjemmepleietjenester eller servicerepresentanten.



ADVARSEL!

Personskaderisiko eller risiko for skade på utstyr
Strømledningen og koblingsslangen kan føre til at pasienten snubler, faller eller pådrar seg annen skade dersom den legges og festes på feil måte. Det kan også oppstå skade på produktet.

- Strømledningen og koblingsslangen **MÅ** legges og festes på riktig måte.
- Unngå å plassere strømledninger på tvers av områder med mye trafikk.
- Hvis du skal flytte på kompressoren eller konsentratoren, må du **ALLTID** koble fra strømledningene og koblingsslangen mellom kompressor og konsentrator.

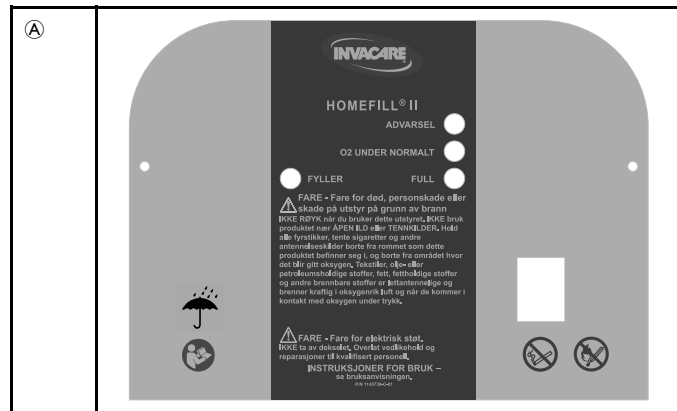
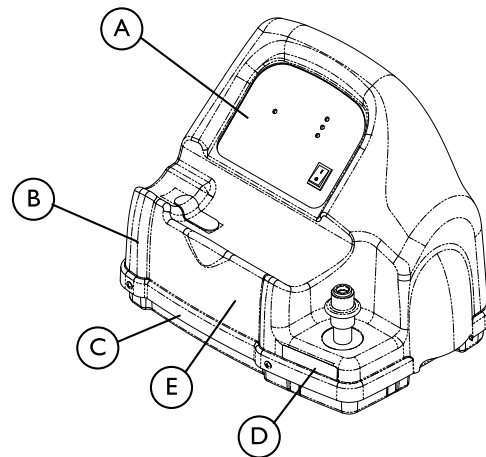



FORSIKTIG!

Lovgivning fastsetter at dette utstyret skal selges av eller etter foreskrivning av offentlig autorisert helsepersonell.

- **KUN** autorisert helsepersonell kan foreskrive kjøp eller bruk av dette utstyret.

2.2 Plassering av etiketter



<p>B</p>	<p>⚠ DANGER Risk of Death, Injury or Damage from Fire Keep all connections free of oil and grease to avoid violent ignition. See user manual before cleaning. 1075220-D-00</p>
<p>C</p>	<p>⚠ DANGER Risk of Electric Shock DO NOT REMOVE UNIT COVER This unit contains moving and high pressure components. Manufacturer Service Only. 1075221-C-01</p>
<p>D</p>	<p>⚠ DANGER Risk of Death, Injury or Damage from Fire Keep all connections free of oil and grease to avoid violent ignition. See user manual before cleaning. Never oil or lubricate coupling. Cylinders filled on this unit MUST be labeled "Contents of this cylinder are the product of an oxygen concentrator." 1075238-D-00</p>
<p>E</p>	<p>⚠ FARE</p> <p>Fare for død, personskade eller skade på utstyr på grunn av brann. Hold alle koblinger frie for olje og fett for å unngå kraftig antenning. Se i bruksanvisningen før du utfører rengjøring. Koblinger må aldri påføres olje eller smør. Flasker som fylles på denne enheten, MÅ merkes "Innholdet i flasken er fremstilt av en oksygenkonsentrator".</p> <p>Fare for elektrisk støt. RIKKE FJERN DEKSELET PÅ ENHETEN Denne enheten inneholder bevegelige komponenter og komponenter under høyt trykk. Må kun vedlikeholdes og repareres av produsenten.</p>  <p>FØR FLASKEN KOBLES TIL, SKIV NED MUFFEN INNTIL GRØNNE PRIKKER BLIR SYNLIGE.</p> <p>114885 D-01</p>

2.3 Informasjon til forhandlere



Invacare anbefaler at du lar det stå en full flaske med oksygen hos pasienten etter at du har installert HomeFill-kompressoren.

Før du overleverer en HomeFill-kompressor til en bruker, MÅ du gjennomgå følgende sjekklister:

- Sjekk at trykktesten av flasken ikke er utdatert.
- Gå gjennom EMC-delen med tanke på driftsinformasjon og mulige RF-problemer. Se EMC-opplysningene.
- Gi brukeren veiledning om hvordan han eller hun kan bruke konsentratoren på en trygg måte, og gå gjennom alle advarsler.
- Gi brukeren veiledning om hvordan han eller hun kan bruke HomeFill-kompressor på en trygg måte, og gå gjennom alle advarsler.
- La det stå igjen en full flaske med oksygen hos brukeren.
- Gi brukeren et eksemplar av alle advarsler og påfyllingsanvisninger.

2.4 Dobbeltisolerte produkter



FORSIKTIG!

– IKKE KOBLE FRA strømledningen ved å trekke i ledningen. Koble fra ved å trekke i kontakten, ikke i ledningen, ellers kan det oppstå skade på strømkontakten.

I et dobbeltisolert produkt er det to isolasjonssystemer i stedet for jording. Det er ikke nødvendig med jordingsutstyr på et dobbeltisolert produkt, og jordingsutstyr skal heller ikke kobles til produktet. Et dobbeltisolert produkt er merket med "DOBBELTISOLERING" eller "DOBBELTISOLERT" eller symbolet:



2.5 EMC-informasjon



ADVARSEL!

Risiko for personskade eller skade på utstyr

Reduser faren for personskade eller skade på produktet som følge av interferens med trådløst utstyr:

- Påse at det er minst 3,0 m (9,8 ft) mellom kompressoren og trådløst kommunikasjonsutstyr som enheter for trådløse hjemmenettverk, mobiltelefoner, trådløse telefoner og basestasjoner, walkie-talkier osv.

Medisinsk elektrisk utstyr skal installeres og brukes i samsvar med EMC-opplysningene i denne håndboken.

Dette utstyret har blitt testet og funnet i samsvar med EMC-grensene som er angitt i IEC/EN 60601-1-2 for utstyr av type BF. Disse grensene er fastsatt for å gi en rimelig grad av beskyttelse mot elektromagnetisk interferens i et typisk hjemmepleiemiljø. Utstyret er ikke beregnet på bruk i profesjonelle helsepleiemiljøer.

Bærbart og mobilt RF-kommunikasjonsutstyr kan påvirke ytelsen til dette utstyret. Kompressoren kan settes oppå en Invacare-oksygenkonsentrator som er HomeFill-kompatibel, i en installasjon. Følg med på kompressoren under drift for å sjekke at flaskefyllingen forløper slik den skal i begge tilfeller.

Andre apparater kan oppleve interferens selv ved de svake nivåene av elektromagnetisk stråling som er tillatt i samsvar med standarden nevnt ovenfor. Du kan finne ut om det er kompressoren som forårsaker interferens, ved å slå den av. Dersom interferensen på det andre apparatet slutter, er det kompressoren som forårsaker

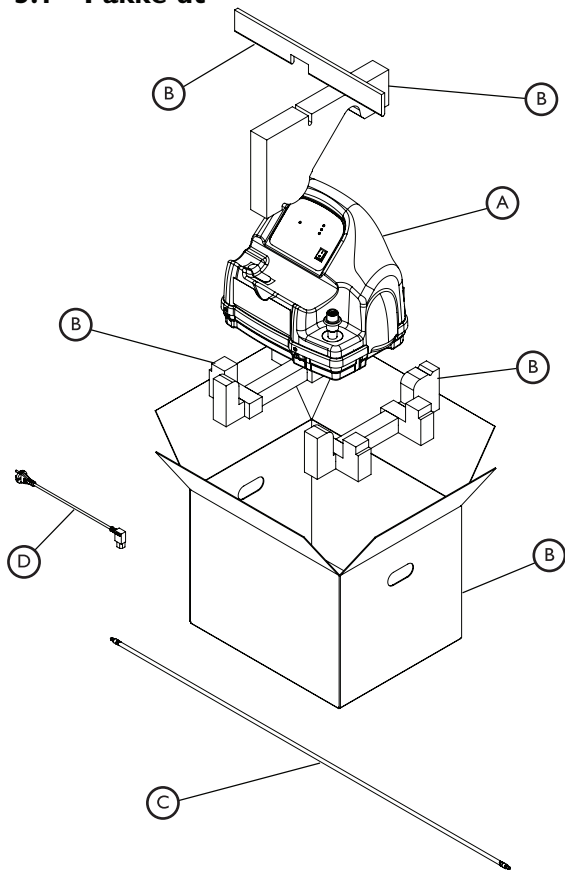
interferensen. I slike sjeldne tilfeller kan du redusere eller korrigere interferens på en av følgende måter:

- Snu eller flytt apparatene, eller øk avstanden mellom dem.
- Koble et av de nettstrømdrevne apparatene til en annen strømkrets.

Kontakt Invacare dersom du ønsker ytterligere opplysninger om EMC eller EMC-tabeller for apparatmiljøet.

3 Montering

3.1 Pakke ut



BESKRIVELSE	
Kompressor	A
Emballasje	B
Tilførselsledning	C
Strømledning	D
Bruksanvisning (ikke vist)	N/A

1. Se etter ytre tegn på skade på eske eller innhold. Dersom du ser tegn på sannsynlig skade, meld fra til transportør eller lokal forhandler.
2. Fjern all løseballasje fra esken.
3. Ta forsiktig alle komponenter ut av esken.



Med mindre kompressoren skal brukes ØYEBLIKKELIG, bør kompressoren oppbevares i emballasjen inntil den skal tas i bruk.

3.2 Sjekkliste ved første gangs oppsett av kompressor



KUN forhandlere – se Informasjon til forhandlere i delen Sikkerhet i denne håndboken før du utfører denne prosedyren.



KUN brukere – Kontakt Invacare-forhandler eller Invacare for å få hjelp med oppsettsprosedyrer og for å varsle om uforutsett drift eller hendelser.

Før du skal bruke en HomeFill-kompressor første gang, går du gjennom den følgende sjekklisten:

- Velg sted for kompressoren.

- Bring kompressoren til det ønskede stedet.
- Koble strømledningen til kompressoren.
- Koble kompressoren til konsentratoren.

3.3 Velge plassering



FARE!

Fare for død, personskade eller skade på utstyr på grunn av brann

Tekstiler, olje- eller petroleumsholdige stoffer, fett, fettholdige stoffer og andre brennbare stoffer er lettantennelige og brenner kraftig i oksygenrik luft og når de kommer i kontakt med oksygen under trykk. Unngå brann, død, personskade eller skade på utstyr:

- IKKE RØYK når du bruker dette utstyret.
- IKKE bruk produktet nær ÅPEN ILD eller TENNKILDER.
- IKKE bruk smøremidler på kompressoren med mindre det er anbefalt av Invacare.
- RØYKING FORBUDT-skilt bør være plassert godt synlig.
- Unngå gnistdannelse nær oksygenutstyr. Dette innbefatter gnister fra statisk elektrisitet dannet ved friksjon.
- Hold alle fyrstikker, tente sigaretter og andre antennelseskilder borte fra rommet som denne kompressoren befinner seg i, og borte fra området hvor det blir gitt oksygen.
- Oksygenlanger, ledninger og kompressoren selv må aldri dekkes til av tepper, sengetøy, stolputer eller klær og må holdes borte fra varme overflater, inkludert ovner, komfyrer og lignende elektriske apparater.

Det skal være en avstand på minst 7,6 cm (3 tommer) mellom kompressor og vegger, gardiner eller møbler for å sikre tilstrekkelig luftgjennomstrømning.

Unngå å plassere kompressoren ved siden av ovner, radiatorer eller varmeregulatorer.

SKAL IKKE brukes i skap.

Kompressoren bør stå på et hardt, flatt og stabilt underlag, for eksempel et bord eller en Ready Rack.



HomeFill Ready Rack selges separat og brukes til å plassere HomeFill-kompressoren oppå en Perfecto₂ eller en Platinum oksygenkonsentrator. Ytterligere informasjon finner du i instruksjonsarket med delenummer I148363 og I134824 for HomeFill Ready Rack.

3.4 Transportere kompressoren



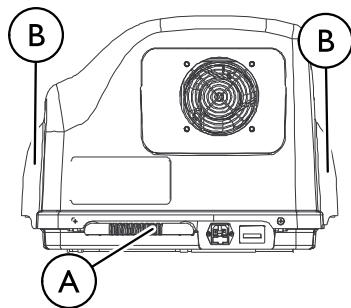
ADVARSEL!

– Transporter ALDRI en kompressor med en flaske koblet til eller lagret på kompressoren, ellers kan det oppstå personskade eller skade på utstyret.



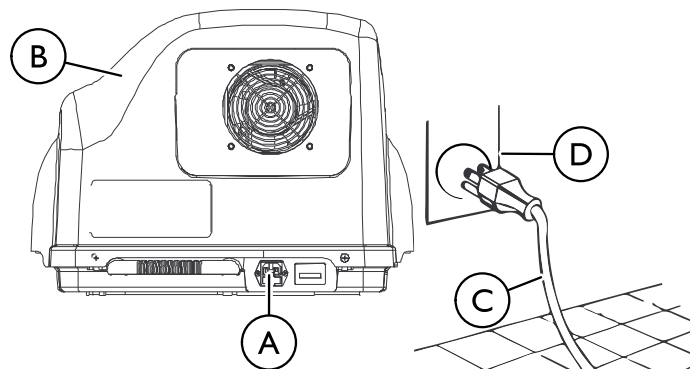
FORSIKTIG!

– Når du transporterer kompressoren, må du være forsiktig, slik at du ikke støter borti hindringer med kompressoren eller koblingene. Det kan ellers oppstå skade på kompressoren.



- I. Du kan transportere kompressoren trygt på to måter:
 - Én hånd – ta tak i håndtaket **A** nederst på kompressorens bakside.
 - To hender – ta tak i håndtakene **B** på sidene av kompressoren.

3.5 Montere strømledningen

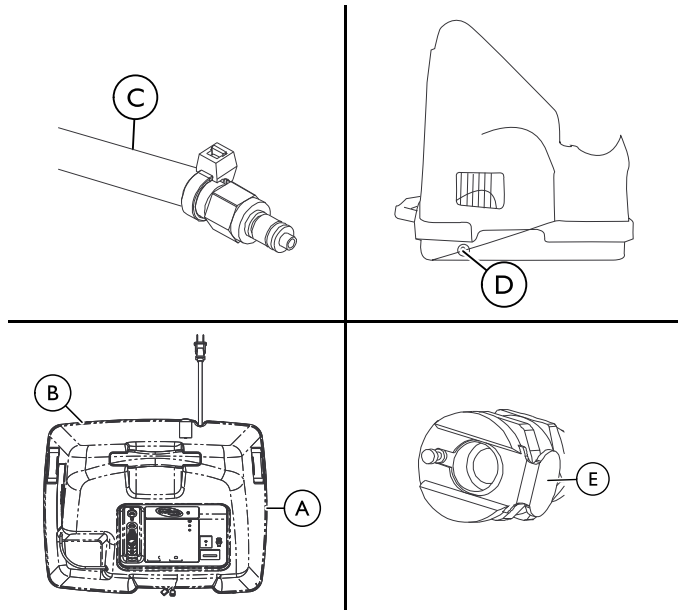


1. Velg en egnet plassering. Se Velge plassering i denne delen av håndboken.
2. Kontroller at strømbryteren står i av-stilling (O).
3. Plugg strømledningen i strøminntaket **A** på baksiden av kompressoren **B**.
4. Koble den andre enden av strømledningen **C** til vegguttaket **D**.
5. La det være en minimumsavstand på 7,6 cm (3 tommers) til endene på strømledningen, slik at de lett kan kobles fra.



Strøminntaket fungerer som frakoblingspunkt for nettstrøm og stopper alle tilførsel av strøm til enheten når ledningen kobles fra.

3.6 Koble kompressoren til konsentratoren



1. Sett den ene enden på koblingsslangen © inn i utløpskoblingen © på baksiden av konsentratoren ©.
2. Sett den andre enden på koblingsslangen inn i innløpskoblingen © på siden av kompressoren.

i Metalltappene © på konsentratorens utløpskobling og kompressorens innløpskobling vil smette ut med et hørbart klikk når enden på koblingsslangen er korrekt tilkoblet.

3. Kveil opp eventuell overskytende lengde på koblingsslangen og fest den til baksiden av konsentratoren med festebåndene.

4 Bruk

4.1 Sjekkliste ved bruk av kompressor

Hver gang HomeFill-kompressoren skal brukes til å fylle en flaske, må du gå gjennom følgende sjekkliste:

- Kontroller at konsentratoren har stått på i minst 30 minutter.
Se i bruksanvisningen for konsentratoren.
- Utfør kontroll av flaske før påfylling.
- Koble flasken til kompressoren.
- Sett strømbryteren på kompressoren i på-stilling (I).
- Sjekk indikatorlampene på kontrollpanelet.
- Koble fra og ta ut den fulle flasken.
- Sett strømbryteren på kompressoren i av-stilling (O).
- Hvis du skal fylle på en flaske til, går du gjennom denne sjekklisten på nytt.

4.2 Kontroll av flaske før påfylling



ADVARSEL!

- Bruk KUN flasker som har Invacare HomeFill II-tilkobling og HomeFill II-etikett.
- Alle flasker MÅ kontrolleres før man setter i gang med påfylling. Det kan ellers oppstå personskade eller skade på utstyr.

Finn ut om flasken kan brukes med HomeFill II-systemet **A** ved å se etter en svart stripe **B** øverst på flasken og se etter HomeFill II-etiketten **C**.

<p>GB ENGLISH This cylinder is to be used with the HomeFill system. This cylinder contains 93.3% oxygen. This Oxygen cylinder conforms to EN 12101-2. Plastering: HP 10000, 1443 Bar. Keep away from open flames and heat. Keep cylinder in a well-ventilated place. Keep dry and cool.</p>	<p>F FRANÇAIS Ce bidon est à utiliser avec le système HomeFill. Ce bidon contient 93,3 % d'oxygène. Ce bidon est conforme de la norme EN 12101-2. Plâtrage: HP 10000, 1443 bar. Tenir à l'écart des flammes et de la chaleur. Conserver le bidon dans un endroit bien ventilé. Tenir au sec et au frais. Ce bidon doit être utilisé pour assurer une conformité d'oxygène et non pour servir d'appareil de respiration et de maintien des fonctions vitales.</p>
<p>CZ CZECH Tato lahvička je určena k použití s systémem HomeFill. Tato lahvička obsahuje kyslík v koncentraci 93,3 %. Tato lahvička odpovídá normě EN 12101-2. Pláštění: HP 10000, 1443 bar. Udržet lahvičku mimo ohně a tepla. Udržet lahvičku v dobře větraném místě. Udržet lahvičku suchou a chladnou.</p>	<p>I ITALIANO Questo bidone è destinato all'uso con il sistema HomeFill. Questo bidone contiene 93,3 % di ossigeno. Questo bidone rispetta la norma EN 12101-2. Plastratura: HP 10000, 1443 bar. Non usare dove vi siano fiamme o calore. Conservare il bidone in un luogo ben ventilato. Conservare il bidone asciutto e fresco. Questo bidone non deve essere usato come erogatore di ossigeno o non a contatto con un dispositivo di supporto o di scambio vitale.</p>
<p>DK DANISH Denne cylinder er beregnet til brug med HomeFill II-systemet. Denne cylinder indeholder 93,3 % ilt. Denne cylinder overholder EN 12101-2. Plastringsarbejde: HP 10000, 1443 bar. Hold cylinder væk fra åben ild og varme. Hold cylinder i et godt ventileret rum. Hold cylinder tør og kølig.</p>	<p>NL DUTCH Deze fles is bestemd voor gebruik met het HomeFill II-systeem. Deze fles bevat zuurstof met een zuiverheidsgraad van 93,3 %. Deze fles voldoet aan de norm EN 12101-2. Plasterwerk: HP 10000, 1443 bar. Houd de fles weg van open vlammen en warmte. Bewaar de fles in een goed geventileerd ruimte. Houd de fles droog en koel.</p>
<p>D GERMAN Diese Druckflasche darf nur mit dem HomeFill-System verwendet werden. Diese Druckflasche enthält 93,3 % Sauerstoff. Diese Druckflasche entspricht der EN 12101-2. Plasterarbeiten: HP 10000, 1443 bar. Von Feuer und Hitze fernhalten. Behälter an einem gut gelüfteten Ort lagern. Behälter trocken und kühl lagern.</p>	<p>N NORWEGIAN Denne trykkløstet flaske er beregnet til bruk med HomeFill II-systemet. Denne trykkløstet flaske inneholder 93,3 % oksygen. Denne trykkløstet flaske overholder EN 12101-2. Plastringsarbeid: HP 10000, 1443 bar. Hold flasken unna åpen ild og varme. Oppbevar flasken i et godt ventileret rom. Hold flasken tørr og kjølig.</p>
<p>E SPANISH Este cilindro está diseñado para su uso con el sistema HomeFill II. Este cilindro contiene 93,3 % de oxígeno. Este cilindro cumple con la norma EN 12101-2. Plasteros: HP 10000, 1443 bar. Mantenga este cilindro alejado de las fuentes de calor y de las llamas. Mantenga este cilindro seco y fresco.</p>	<p>PL POLISH Ta butla jest przeznaczona do użytku z systemem HomeFill II. Ta butla zawiera tlen o czystości 93,3 %. Ta butla spełnia normę EN 12101-2. Plasterowanie: HP 10000, 1443 bar. Nie używaj butli w pobliżu ognia i ciepła. Nie używaj butli w celu oddychania lub podtrzymania życia. Nie używaj butli do oddychania lub podtrzymania życia, chyba że jest to przewidziane przez producenta.</p>
<p>H FINNISH Tämä kaasupullo on tarkoitettu käytettäväksi HomeFill II-järjestelmän kanssa. Tämä kaasupullo sisältää 93,3 % happea. Tämä kaasupullo vastaa EN 12101-2:n vaatimuksia. Plasterustyö: HP 10000, 1443 bar. Pidä kaasupullon kaukana avosta ja lämmästä. Pidä kaasupullon kuivana ja viileänä.</p>	<p>S SWEDISH Denna tryckflaska är avsedd för användning med HomeFill II-systemet. Denna tryckflaska innehåller 93,3 % syre. Denna tryckflaska överensstämmer med EN 12101-2. Plasterarbete: HP 10000, 1443 bar. Håll flaskan borta från öppen eld och värme. Håll flaskan torr och sval. Problemet är avsett för användning som ersättning för ett annat syresystem, förutom andnings- och livsunderhållssystem.</p>

Oxygen O₂

Authorized Res. in the EU: **Brexit Druckluft GmbH**, Mannheim, Germany. Manufactured by: **Invacare Corp.**, 2015 S. Lake Park Blvd, Solon, OH 44136-1277.

PN 114 4704-01

Dato for hydrostatisk testing

Aluminiumsflasker MÅ gjennomgå hydrostatisk testing hvert 10. år.



ADVARSEL!

Risiko for personskade

Slik reduserer du skaderisikoen:

- Fyll IKKE på flasker som ikke har vært testet de siste ti årene. Det kan ellers føre til alvorlig personskade. Kontakt forhandleren eller leverandøren av hjemmepleieutstyr ved behov for utskiftning.

Utvendig kontroll

1. Se etter følgende tegn på utsiden av flasken, og skift ut flasken hvis du finner noen av dem:
 - Bulker eller hakk
 - Gnistmerker
 - Olje eller fett
 - Andre tegn på skade som kan forårsake at flasken blir utrygg å bruke.
2. Se etter tegn på skade forårsaket av ild eller varme på flasken. Slike tegn kan omfatte forkulling eller blæredannelser i maling eller i annen overflatebehandling eller varmfølsomt materiale. Dersom du finner tegn på skade forårsaket av ild eller varme, må du skifte ut flasken.
3. Se etter følgende tegn på flaske-/regulatorsettet, og skift det ut hvis du finner noen:
 - Rester, olje eller fett
 - Synlige tegn på skade
 - Tegn på korrosjon på innsiden av ventilen
 - Tegn på sterk varme eller skade forårsaket av ild

4.3 Koble flasker til kompressorer



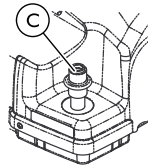
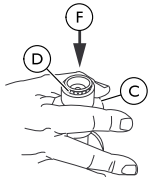
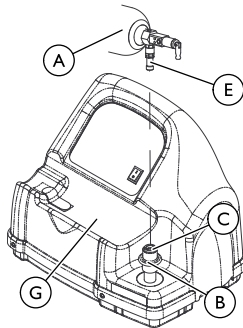
ADVARSEL!

- Bruk **ALDRI** verktøy til å koble en flaske til eller fra en kompressor. Det kan ellers oppstå alvorlig personskade eller skade på utstyr.



ADVARSEL!

- **IKKE** mist oksygenflasker i gulvet. Bruk to hender når du håndterer/bærer oksygenflasker. Det kan ellers oppstå personskade eller skade på utstyr.
- **IKKE BRUK** lekkasjedetektorer av væske til å se etter lekkasjer.



Dekslene er fjernet fra illustrasjonen for oversiktens del.

1. Se alltid etter tegn på synlig skade på produktet før det brukes. Se delen Utvendig kontroll. Hvis du oppdager skade, skal produktet **IKKE** brukes.



Kontakt forhandleren eller leverandøren av hjemmepleieutstyr dersom merking blir uleselig eller forsvinner.

2. Kontroller flasketrykksmåleren. Hvis flasketrykket er lavere enn 10342 kPa (1500 psig), gå videre til TRINN 3.



I håndboken for flasken finner du informasjon om hvor flasketrykksmåleren er plassert.

Hvis flasketrykket er **høyere** enn 10 342 kPa (1500 psig), må du **IKKE** forsøke å fylle opp flasken. Den vil kanskje ikke bli fylt opp.

3. Sett flowhjulet på flasken **A** til Av. Se håndboken for flasken.
4. Ta av dekselet på flasken og dekselet på flasketilkoblingen (hvis montert).
5. Skyv kort **NED** den ytre ringen (muffen) **B** på kompressortilkoblingen **C** helt til du ser **GRØNNE** prikker **D**, og tilkoblingen nullstilles.



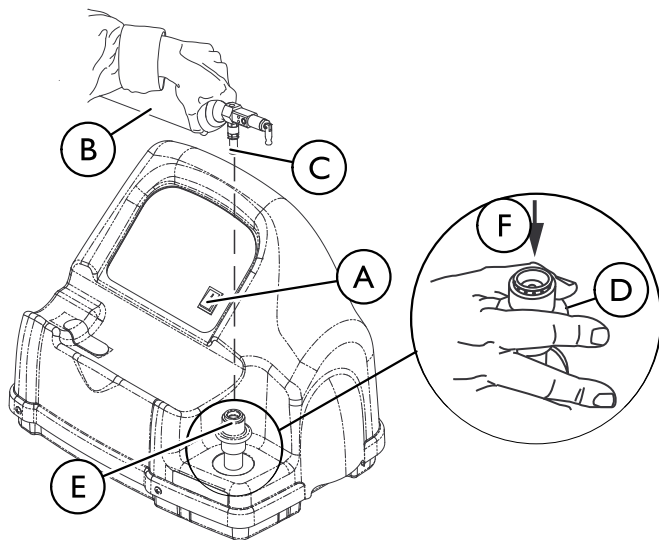
Hvis den ytre ringen (muffen) er **OPPE** (ingen **GRØNNE** prikker er synlige), vil ikke kompressortilkoblingen kunne koble seg til flasketilkoblingen **E**. Når du skyver kort **NED** **F**, nullstilles kompressortilkoblingen (synlige **GRØNNE** prikker), og den lar seg koble til flasketilkoblingen.

6. Grip tak i flasken i området bak flaskekoblingen.
7. Plasser flasken i kompressorvuggen **G**.

8. Rett inn flasketilkoblingen etter kompressortilkoblingen.
9. Trekk **OPP** den ytre ringen (muffen) på kompressortilkoblingen samtidig som du trykker flasken **NED** for å koble flasketilkoblingen til kompressortilkoblingen.

 Flasken er korrekt tilkoblet når du hører et tydelig klikk.

4.4 Koble flasken fra kompressoren

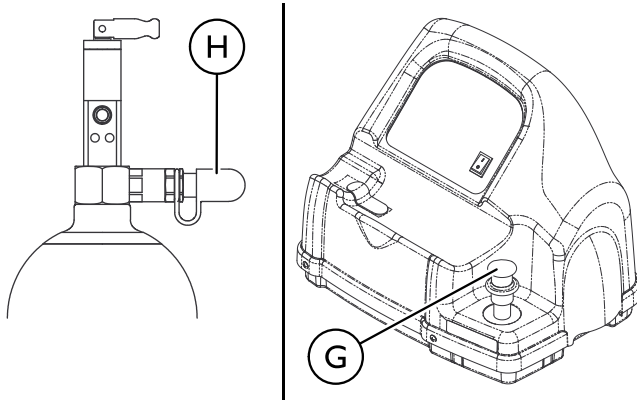


ADVARSEL!

– Bruk **ALDRI** verktøy til å koble en flaske til eller fra en kompressor. Det kan ellers oppstå alvorlig personskade eller skade på utstyr.

1. Sett strømbryteren **(A)** på kompressoren i av-stilling **(O)**.
2. Grip tak i flasken **(B)** i området bak flaskekoblingen **(C)**.
3. Ta tak i den ytre ringen (muffen) på kompressortilkoblingen **(E)** med den andre hånden, og trekk den **NED (F)**.
4. Du fjerner flasken fra kompressortilkoblingen ved å løfte den opp.

5. Når flasketilkoblingen er koblet fra kompressortilkoblingen, slipper du den ytre ringen (muffen) på kompressortilkoblingen og bruker to hender til å fjerne flaskesettet fra kompressorvuggen.



ADVARSEL!

– Dekslene på kompressortilkoblingen og flasketilkoblingen **MÅ** settes tilbake på plass etter påfylling og når apparatet ikke er i bruk. Dersom et av dekslene mangler, må du kontakte leverandøren av helsetjenester før du bruker apparatet igjen.

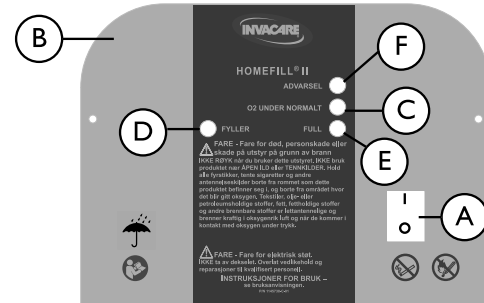
6. Sett dekslene på kompressortilkoblingen (G) og flasketilkoblingen (H).




Ved bruk av flaske med søyleventil, skal det kobles til en oksygenregulator i henhold til anvisningene fra produsenten.

7. Sjekk flasketrykkmåleren for å forsikre deg om at flasken er full (viseren er innenfor det GRØNNE området). Dersom flasken ikke er full, gjør følgende:
 - a. Gjenta fremgangsmåten Koble flaske til kompressorer i denne delen av håndboken.
 - b. Dersom flasken ikke blir full etter andre påfyllingsforsøk, kontakt leverandøren.


4.5 Slå kompressoren på og av




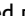
1. Kontroller at konsentratoren står på. Se i bruksanvisningen for konsentratoren.




 Maksimum oksygenkonsentratorflow for pasientbruk er angitt i tabellen nedenfor. Ellers vil oksygennivået til kompressoren være <90 %, og kompressoren vil ikke fylle flasken.


Invacare oksygenkonsentrator	Maksimum utgangsflow for pasientbruk
Platinum 5	2,5 l/min
Platinum 9	5 l/min
Perfecto ₂	2,5 l/min

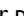
 Pasienter med høyere foreskrevet flow skal ikke fylle opp en flaske samtidig som de får ekstra oksygentilførsel fra oksygenkonsentratoren.

2. Still konsentratorflow til pasienten på 2,5 l/min eller mindre for Platinum 5 og Perfecto₂ og 5 l/min eller mindre for Platinum 9. Se bruksanvisningen for konsentratoren.
3. Kontroller at flasken er koblet til kompressoren. Se Koble flasker til kompressorer i denne delen i håndboken.
4. Sett strømbryteren  på kontrollpanelet (I) i på-stilling.


5. Følg med på kontrollpanelet . Følgende skal inntreffe i denne rekkefølgen:

- a. 0–3 minutter – Indikatorlampen O₂ under normalt (GUL)  lyser mens kompressoren varmer opp.
- b. Etter tre minutter – indikatorlampen for FYLING (GRØNN)  vil lyse mens flasken fylles.
- c. Indikatorlampen for FULL (GRØNN)  vil bli tent når flasken er ferdig påfylt. Fortsett TRINN 6.

 Indikatorlampen O₂ UNDER NORMAL (GUL) kan begynne å lyse dersom oksygennivået fra konsentratoren fremdeles ikke har nådd eller faller under 90 %. Kompressoren vil begynne eller gjenoppta fyllingen når oksygennivået når 90 %. Se Problemløsning i denne håndboken dersom lyset ikke slukkes innen 10 minutter.

Se Problemløsning i denne håndboken dersom indikatorlampen OBS (RØD) og en lydalarm  er på.

6. Ta ut den fulle flasken. Se Koble flaske fra kompressorer i denne delen i håndboken.
7. Sett strømbryteren i av-stilling (O).

 Informasjon om bruk av flasker finner du i den spesifikke bruksanvisningen for flaske-/regulatorsettet.

5 Vedlikehold

5.1 Informasjon om vedlikehold



FARE!

Fare for elektrisk støt.

Denne enheten inneholder bevegelige komponenter og komponenter under høyt trykk. Det er ingen deler under dekselet som brukeren kan utføre service på. Slik unngår du elektrisk støt, personskade eller død:

- IKKE ta av dekselet.
- Overlat vedlikehold og reparasjoner til kvalifisert personell.



ADVARSEL!

- Vedlikehold som utføres av brukeren, kan kun omfatte de deler og prosedyrer som er angitt i denne delen. Vedlikehold som omfatter alle andre deler og prosedyrer, skal utføres av en kvalifisert tekniker.

5.2 Slitasje

Invacare forbeholder seg retten til å tilbaketrekke enhver vare som har en påstått defekt eller mangel når det gjelder utførelse. Se garantien i denne håndboken for å få spesifikk garantiinformasjon.

Se prosedyrene i denne bruksanvisningen for å få informasjon om riktig plan for forebyggende vedlikehold og bruk av produktet.

Dette er bare en generell retningslinje og omfatter ikke varer som har blitt skadet som følge av feil bruk eller misbruk. Levetiden avhenger av flere faktorer.

Du finner en liste nedenfor med deler og komponenter med normal slitasje for dette produktet.

1195664-A

- Alle typer filtre
- Alle typer slanger

5.3 Levetid



ADVARSEL!

Risiko for personskade eller skade på utstyr

Produktet er testet for levetiden som er angitt i denne håndboken. Dersom produktet blir brukt over lengre tid enn den angitte tidsperioden, kan dette føre til skade på personer eller utstyr.

- Produktet skal KUN brukes i henhold til levetiden som er angitt i denne håndboken. Levetiden for produktet skal IKKE overskrides.
- Utfør alt vedlikehold i henhold til den anbefalte planen i denne håndboken.

Forventet levetid for dette produktet er 5 år eller 5000 timer drift når det brukes i samsvar med instruksjonene i denne håndboken om sikkerhet, vedlikehold og riktig bruk. Den faktiske levetiden varierer etter brukens hyppighet og intensitet. Det bør utføres vedlikehold minst hver uke.

5.4 Rengjøre kompressorfilteret



ADVARSEL!

- Sett strømbryteren i av-stilling (O) og koble fra kompressoren før rengjøring.
- IKKE BRUK kompressoren uten at filteret står i.



FORSIKTIG!

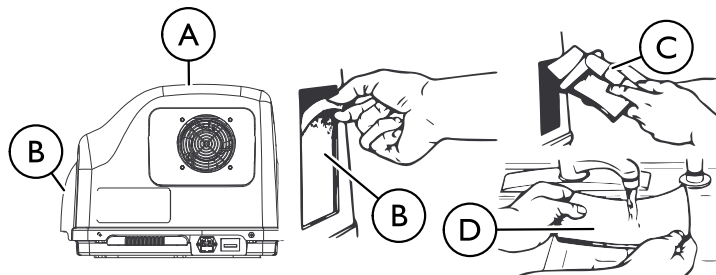
- IKKE KOBLE FRA strømmen ved å trekke i ledningen. Koble fra ved å trekke i kontakten, ikke i ledningen, ellers kan det oppstå skade på strømkontakten.



Alle kompressorer har ett filter på baksiden av kabinettet.

Utfør denne prosedyren minst én gang hver uke.

- I. Rengjør huset med et mildt rengjøringsmiddel og en klut eller svamp uten slipeeffekt.



1. Koble fra kompressoren **A**. Trekk i kontakten, ikke i ledningen.
2. Ta av filteret **B**.
3. Rengjør filteret med en støvsuger **C**, eller vask filteret i varmt såpevann og skyll grundig **D**.
4. Tørk filteret grundig før du setter det tilbake på plass.

5.5 Rengjøre kabinettet



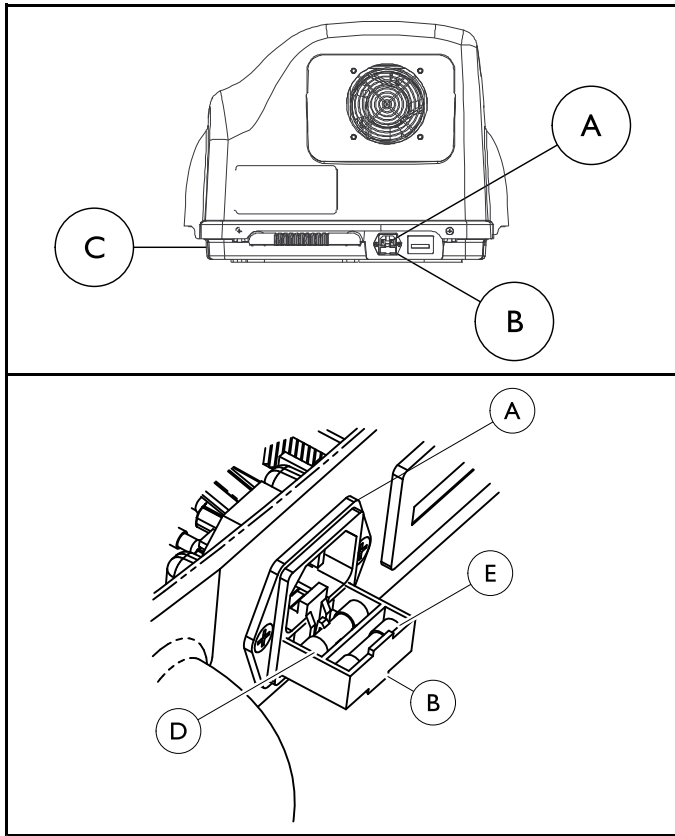
FARE!

Fare for elektrisk støt.

Denne enheten inneholder bevegelige komponenter og komponenter under høyt trykk. Det er ingen deler under dekselet som brukeren kan utføre service på. Slik unngår du elektrisk støt, personskaade eller død:

- IKKE ta av dekselet.
- Overlat vedlikehold og reparasjoner til kvalifisert personell.

5.6 Bytte sikring



1. Koble strømledningen fra strømuttaket.
2. Koble strømledningen fra strøminntaket **A** på kompressorsokkelen **C**.
3. Trekk ut sikringskuffen **B** i underkant av strøminntaket.
4. Bruk en sikringsavtrekker eller en liten flat skrutrekker til å ta ut den fremre sikringen i sikringskuffen, og kasser den.

i Sikringskuffen har plass til to sikringer. Det fremre rommet er for driftssikringen. Enheten leveres med bare den fremre sikringen. Det bakre rommet er for en eventuell reservesikring. Når du bytter sikring, bør du sørge for at det er en reservesikring av samme type og kapasitet i sikringskuffen.

5. Monter reservesikringen i det fremre sikringsrommet **D**.

i Bruk kun sikringer som er 5 mm x 20 mm, trege, med lav bryteevne, 250 V, 2 A, IEC 60127 (Invacare-delenummer 1099820).

6. Skyv sikringskuffen tilbake inn i strøminntaket.
7. Koble strømledningen til strøminntaket på kompressorsokkelen.
8. Koble strømledningen i strømuttaket.
9. Sett strømbryteren i på-stilling (**I**) og kontroller at enheten starter slik den skal.
10. Hvis enheten ikke starter, slår du av strømbryteren, kobler fra strømledningen og kontakter forhandleren, leverandøren eller Invacare for service.

6 Etter bruk

6.1 Avfallshåndtering

Dette produktet er levert av en miljøbevisst produsent som oppfyller kravene i direktiv 2012/19/EF om avfall fra elektrisk og elektronisk utstyr (WEEE).

Produktet kan inneholde stoffer som kan skade miljøet dersom produktet blir kastet på steder (søppelfyllinger) som ikke er i samsvar med lover og forskrifter.

Symbolet med en overkrysset søppelbøtte er ment som en oppfordring til gjenvinning der dette er mulig.

Følg lokale forskrifter og planer ved avfallshåndtering av produktet eller komponenter som normalt brukes sammen med produktet. Produktet danner ikke avfall eller rester under drift. Kast IKKE produktet som vanlig avfall. Alt tilbehør som ikke er del av produktet, MÅ avfallshåndteres i samsvar med det enkelte utstyrets produktmerking om avfallshåndtering.

Vi ber deg vise miljøansvar og levere dette produktet til gjenvinning når det har nådd slutten av sin levetid. Informasjon om produktgjenvinning får du hos Invacare eller hos din tjenesteleverandør.

7 Problemløsning

7.1 Indikatorlamper

Farge på indikatorlampe	Kompressorstatus	Konsekvens
Ingen	Kompressoren er avslått	O ₂ strømmer til brukeren hvis konsentratoren er påslått.
Indikatorlampene O ₂ UNDER NORMALT – GULT	Kompressoren er påslått og varmer opp (0–3 minutter etter at strømmen er slått på).	Påfylling av flaske starter ikke.
		O ₂ strømmer til brukeren hvis konsentratoren er påslått.
	O ₂ fra konsentratoren er < 90 % (når som helst etter oppvarmingsperioden på tre minutter).	Påfyllingen av flasken stopper, vil starte på nytt når O ₂ > 90 %.
FYLLER – GRØNN	Kompressoren er påslått, og flasken fylles. O ₂ fra konsentratoren er > 90 % (når som helst etter oppvarmingsperioden på tre minutter).	O ₂ strømmer til brukeren hvis konsentratoren er påslått.
		Flasken fylles opp.
		O ₂ strømmer til brukeren hvis konsentratoren er påslått.

Farge på indikatorlampe	Kompressorstatus	Konsekvens
FULL – GRØNN	Kompressoren er påslått. Flasken er fylt opp (full) – ta ut flasken (FULL-lampen lyser > 10 min) eller Flasken er ikke korrekt tilkoblet – sjekk tilkoblingen (FULL lyser < 10 min).	Påfylling av flasken stopper. Kan ikke fylle opp en ny flaske før kompressoren slås av og på igjen. O ₂ strømmer til brukeren hvis konsentratoren er påslått.
OBS – RØD (lydsignal)	Kompressoren er påslått. Flasken fylles IKKE opp. Årsaker: Full flaske koblet til når enheten ble slått på – erstatt med tom flaske eller Intern feil – kontakt forhandler.	Kompressoren starter ikke påfyllingen, eller stopper påfyllingen. Enheten må slås av og på før påfylling kan skje. O ₂ strømmer til brukeren hvis konsentratoren er påslått.

7.2 Problemløsning

Problem	Løsning
Ingen indikatorlamper lyser når du slår på kompressoren.	<ol style="list-style-type: none"> 1. Slå av (O) kompressoren. 2. Sjekk at strømledningen er korrekt plagget i kompressor og vegguttak. 3. Slå kompressoren på (I). 4. Rengjør luftfiltre. Se Rengjøre kompressorfilteret i delen Vedlikehold i håndboken. 5. Dersom indikatorlamper fortsatt ikke lyser etter at du har utført trinn 1–4, kontakter du leverandøren av hjemmepleietjenester eller Invacare for service.
RØDT lys på	<ol style="list-style-type: none"> 1. Sjekk flaskemåleren for å se om flasken er full: <ul style="list-style-type: none"> • Flasken er full – ta av flasken og slå av enheten. Utfør kontroll av flaske før påfylling som du finner i delen Bruk i håndboken, med en flaske som ikke er full. • Flasken er ikke full – gå videre til trinn 2. 2. Sjekk at flasken er korrekt tilkoblet. <ul style="list-style-type: none"> • Slå av (O) kompressoren. • Ta av flasken og sett den i på nytt. • Slå kompressoren på (I). Hvis flasken ikke er full, men er korrekt tilkoblet, kan det være en intern feil på kompressoren. Kontakt leverandøren av hjemmepleietjenester eller Invacare.
<p>Kompressoren slår seg på og av eller Indikatorlampene O₂ under normalt (gul) og fyller (grønn) lyser vekselvis eller Indikatorlampen O₂ under normalt (gul) tennes og slukkes</p>	<ol style="list-style-type: none"> 1. Sjekk at flowinnstillingen på konsentratoren er 2,5 l/min eller mindre for Platinum 5 eller Perfecto₂-konsentratorer eller 5 l/min eller mindre for Platinum 9-konsentratorer. Juster om nødvendig flowinnstillingen (se i bruksanvisningen for konsentratoren). Vent minst 20 minutter for å se om den GRØNNE indikatorlampen tennes. Dersom den ikke tennes, gå videre til trinn 2. 2. Konsentratoren kan ha behov for service, ta kontakt med din leverandør av hjemmepleietjenester eller Invacare.

Problem	Løsning
<p>Indikatorlampen O₂ under normalt (GUL) fortsetter å lyse</p>	<ol style="list-style-type: none"> 1. Kontroller at konsentratoren har varmet opp i minst 20 minutter. Dersom det ikke har gått 20 minutter, slår du av kompressoren inntil konsentratoren har varmet opp. Hvis den GULE lampen fortsetter å lyse, gå videre til trinn 2. 2. Kontroller at tilkoblingen mellom kompressoren og konsentratoren ikke er skadet eller kommet i klem. <ul style="list-style-type: none"> • Skift ut dersom den er skadet. • Rett ut slangen dersom den er kommet i klem. Slå av (O) kompressoren i minst 10 sekunder. Slå kompressoren på (I). Hvis den GULE lampen fortsetter å lyse etter 10 minutter, gå videre til trinn 3. 3. Konsentratoren kan ha behov for service, ta kontakt med din leverandør av hjemmepleietjenester eller Invacare.
<p>Påfyllingstiden overstiger den anbefalte maksimale påfyllingstiden, ELLER den GRØNNE indikatorlampen for fylling fortsetter å lyse.</p>	<ol style="list-style-type: none"> 1. Kontroller at flaskeregulatoren står i av-stilling (O). 2. Kontroller de anbefalte påfyllingstidene som er vist i håndboken for den aktuelle flasken. 3. Sjekk at flasken er korrekt tilkoblet. Slå av (O) kompressoren. Ta av flasken og sett den i på nytt. Slå kompressoren på (I). 4. Kontroller at slangen mellom kompressoren og konsentratoren er korrekt tilkoblet, og at den ikke har skade (dvs. lekkasjer eller knekk). 5. Sjekk at flowinnstillingen på konsentratoren er 2,5 l/min eller mindre for Platinum 5 eller Perfecto₂-konsentratorer eller 5 l/min eller mindre for Platinum 9-konsentratorer. Juster om nødvendig flowinnstillingen (se i bruksanvisningen for konsentratoren). Hvis den GRØNNE indikatorlampen for fylling ikke slukkes, kan kompressoren og/eller konsentratoren ha behov for service. Kontakt leverandøren av hjemmepleietjenester eller Invacare.
<p>Sterk støy når kompressoren står på</p>	<ol style="list-style-type: none"> 1. Kontakt leverandøren av hjemmepleietjenester eller Invacare for service.

Problem	Løsning
Vislende lyd fra flowregulatoren når den står i av-stilling	<ol style="list-style-type: none"> 1. Slå av regulatoren. 2. Hvis vislingen vedvarer, kontakt leverandøren av hjemmepleietjenester eller Invacare.
Regulatoren står på, men det leveres ikke O ₂	<ol style="list-style-type: none"> 1. Fyll på flasken. 2. Kontroller at kanylen er rett og ikke sammenklemt. Skift ut dersom den er skadet. 3. Kontakt leverandøren av hjemmepleietjenester eller Invacare for service.



Se håndboken for flasken for å finne riktig påfyllingstid.

Påfyllingstidene er omtrentlige og kan variere ut fra miljøbetingelsene.

8 Tekniske data

8.1 Teknisk beskrivelse

Oksygensystemet HomeFill II (IOH200AW) er et elektromekanisk behandlingssystem for bruk i hjemmet. Systemets funksjon og bruksområde er å levere komprimert oksygen for å fylle på Invacare-gassflasker til hjemmepasienter mens de får tilført terapeutisk oksygen fra en oksygenkonsentrator. Gassystemet IOH200AW er beregnet på bruk sammen med en Invacare-oksygenkonsentrator med en integrert HF2-tilgangsport som kan levere en gasskonsentrasjon høyere enn 90 % O₂ ved ca. 2 l/min samtidig som pasienten får tilført terapeutisk flow.



Maksimum oksygenkonsentratorflow for pasientbruk er angitt i tabellen nedenfor. Ellers vil oksygennivået til kompressoren være <90 %, og kompressoren vil ikke fylle flasken.

Invacare oksygenkonsentrator	Maksimum utgangsflow for pasientbruk
Platinum 5	2,5 l/min
Platinum 9	5 l/min
Perfecto ₂	2,5 l/min

Oksygensystemet HomeFill II består av gasskompressoren IOH200AW, koblingsslanger og bærbare Invacare-gassflasker med integrert flowregulator og selvåsende påfyllingskobling.

Kompressoren IOH200AW består av en flertrinnskompressor, innvendig beholder, styringselektronikk med integrert oksygenkonsentrasjonssensor, selvåsende påfyllingskobling, innløpskobling og drivmotor. Kompressordriften styres av

elektronikkenheten. Motoren/kompressoren kan kun fylle en flaske dersom oksygenkonsentrasjonen i innløpsgasstrømmen er høyere enn 90 % og flasketrykket ikke allerede er høyere enn 10 342 kPa (1500 PSI). Motoren/kompressorens påfyllingssyklus er fullført når gassen i en flaske når maksimalt fyllingstrykk, som er 13 786 kPa (2000 PSI).

Kompressoren IOH200AW kan fylle bærbare flasker for hjemmepasienter. De bærbare Invacare-gassflaskene har en selvåsende påfyllingskobling som kun passer til kompressoren IOH200AW fra Invacare. Gassflasken inneholder i tillegg en integrert flowregulator med faste, valgbare flow-innstillinger.

8.2 Påfyllingstider for flaske

PÅFYLLINGS- TIDER FOR FLASKE	Konsentratorflow til pasient:	
	Platinum 5 opptil 2,5 L/min Perfecto ₂ opptil 2,5 L/min Platinum 9 opptil 5 L/min	
	HF2PCE9A	HF2PCE6A
NORMAL	2 t 20 min	1 t 25 min
MAKSIMUM	2 t 45 min	1 t 50 min



Alle påfyllingstider er omtrentlige og kan variere ut fra miljøbetingelsene.

8.3 Spesifikasjoner

Samsvar med myndighetskrav:	EN/IEC 60601-1
	EN/IEC 60601-1-2
Elektrisk ytelse:	230 V~, 1,0 A, 50 Hz
Miljøbetingelser under drift:	5 til 40 °C (41 til 104 °F) ved 15 til 60 % luftfuktighet, ikke-kondenserende
Atmosfærisk trykk:	700 til 1060 hPa
Oppbevaring og transport:	-23 til 70 °C (-25 til 158 °F) ved 15 til 95 % luftfuktighet, ikke-kondenserende.
Påkrevd trykk, inngang:	96,5–144,7 kPa (14–21 psi)
Påkrevd flow, inngang:	2 l/min
Påkrevd O ₂ %, inngang:	> 90 % O ₂
Bredde:	51,44 cm (20 ¼ tommer)
Høyde:	38,1 cm (15 tommer)
Dybde:	40,64 cm (16 tommer)
Vekt:	14,97 kg (33 lbs)
Fraktvekt:	17,69 kg (39 lbs)
Maks. temperatur for kontakt del	50 °C (122 °F)

Notes

Innehållsförteckning

Denna handbok MÅSTE levereras till slutanvändaren. INNAN produkten används, läs handboken och spara den för framtida referens.

I AllmäntI36

- 1.1 Symboler.I36
- 1.2 Avsedd användning.I37
- 1.3 GarantiI38

2 SäkerhetI39

- 2.1 Allmänna riktlinjerI39
- 2.2 Placering av etiketterI42
- 2.3 Information från hjälpmedelscentralenI43
- 2.4 Dubbelisolerade produkter.I43
- 2.5 EMC-information.I43

3 Inställningar.I45

- 3.1 UppackningI45
- 3.2 Checklista för första installationen av kompressornI45
- 3.3 Välja en platsI46
- 3.4 Transportera kompressorn.I47
- 3.5 Sätta i strömkabelnI47
- 3.6 Ansluta kompressorn till koncentratornI48

4 Användande.I49

- 4.1 Kontrollista för användning av kompressornI49
- 4.2 Inspektion av behållaren före påfyllningI50
- 4.3 Ansluta behållaren till kompressorn.I52
- 4.4 Koppla loss behållaren från kompressorn.I53
- 4.5 Sätta på och stänga av kompressornI55

5 Underhåll.I57

- 5.1 Information om underhåll.I57
- 5.2 Slitage och nötning.I57

- 5.3 LivslängdI57
- 5.4 Rengöra kompressorfiltretI57
- 5.5 Rengöra höljet.I58
- 5.6 Byta säkring.I59

6 Återanvändning.I60

- 6.1 KasseringI60

7 FelsökningI61

- 7.1 Indikatorlampor.I61
- 7.2 FelsökningI63

8 Teknisk dataI66

- 8.1 Teknisk beskrivningI66
- 8.2 Behållarnas påfyllningstiderI67
- 8.3 Specifikationer.I67

I Allmänt

I.1 Symboler

Symboler som används i manualen

I den här manualen används symboler som gäller risker eller osäker användning som kan orsaka skada på person eller egendom. Symbolerna definieras nedan.



FARA!

– ”Fara” informerar om en riskfylld situation som leder till allvarlig skada eller dödsfall om den inte undviks.



VARNING!

– ”Varning” informerar om en riskfylld situation som kan leda till allvarlig skada eller dödsfall om den inte undviks.



FÖRSIKTIGT!

– ”Försiktigt” informerar om en riskfylld situation som kan leda till skada på egendom, lindrig personskada eller bådadera om den inte undviks.



VIKTIGT

– Informerar om en riskfylld situation som kan leda till skada på egendom om den inte undviks.



Ger användbara råd, rekommendationer och information för en effektiv och problemfri användning.

Symboler på produkten

Följande symboler finns på kompressorn, kompressorförpackningen eller syrgasbehållaren.



Läs manualen (kompressor)



Symbolen har blå bakgrund på produktetiketter.



Läs manualen (behållare)



Elektrisk fara



Växelström



Utrustning av typ BF – patientanslutna delar



Strömbrytare PÅ



Strömbrytare AV



Rökning FÖRBJUDEN



Ingen öppen låga



Klass II, dubbelisolerad. Se Dubbelisolerade produkter i avsnittet Säkerhet i manualen.



Håll enheten torr under transport eller förvaring samt vid användning



Säkring



Oxidator



Symbolen har gul bakgrund på produktetiketter.



Svårantändlig gas, klass 2 (syrgas)



Symbolen har grön bakgrund på produktetiketter.



Temperatur vid transport och förvaring



Luftfuktighet vid transport och förvaring



Återvinn produkten. Se Kassering av utrustningen och tillbehör i avsnittet Efter användning i manualen.



Den här produkten uppfyller kraven i direktiv 93/42/EEG om medicintekniska produkter.

Lanseringsdatum för produkten anges i CE-försäkran om överensstämmelse.



EU-representant



Tillverkare

I.2 Avsedd användning



VARNING!

- Den här enheten får endast användas för påfyllning av en specifik patients egna syrgasbehållare. Dessa behållare **FÅR ENDAST** användas av den specifika syrgaspatienten och får inte ges till någon annan person för något annat ändamål.
- Ingen annan användning av den här enheten är indicerad.



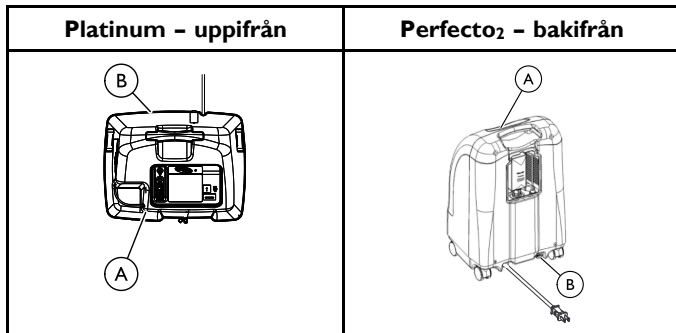
VARNING!

Risk för dödsfall, personskador eller produktskador

HomeFill-kompressorn från Invacare är avsedd att endast användas med syrgaskoncentratorer från Invacare. Om den används med andra typer av enheter kan det leda till dödsfall, personskador eller produktskador.

- ANVÄND INTE HomeFill-kompressorn från Invacare med någon annan enhet än en syrgaskoncentrator från Invacare.
- Får endast användas med särskilt utformade syrgaskoncentratorer från Invacare som är HomeFill-kompatibla.

För att ta reda på om din syrgaskoncentrator är kompatibel med HomeFill kan du undersöka om det finns ett utflödesfäste **B** i det nedre högra hörnet på baksidan av syrgaskoncentratorn **A**.



HomeFill-kompressorn från Invacare är avsedd att användas som ett tillbehör till en Invacare-syrgaskoncentrator så att patienten kan fylla på anpassade bärbara syrgasbehållare för personligt bruk.

Den här produkten är endast avsedd att användas för en patient i hemvårdsmiljö inomhus och ska inte användas för påfyllning av bulkbehållare.

För att använda produkten krävs ingen särskild kunskap eller utbildning förutom det som står i den här bruksanvisningen.

Produkten är inte avsedd att användas för syrgasbehandling medan påfyllning pågår.

Den får bara användas av vuxna eller under vuxens uppsikt och endast efter att alla instruktioner och varningar i den här bruksanvisningen har lästs och förstås.

1.3 Garanti

Garantivillkoren ingår i de allmänna villkor som gäller för de respektive länder där produkten säljs.

2 Säkerhet

2.1 Allmänna riktlinjer



FARA!

Risk för dödsfall, personskador eller produktskador

Felaktig användning av den här produkten kan orsaka dödsfall, personskador eller produktskador. Det här avsnittet innehåller viktig information för säker drift och användning av den här produkten.

- Använd **INTE** den här produkten eller någon tillvalsutrustning innan du har läst och förstått dessa instruktioner och eventuellt ytterligare instruktionsmaterial, såsom bruksanvisningar, servicemanualer eller instruktionsblad som medföljer produkten eller tillvalsutrustningen.
- Om du inte kan förstå varningarna eller instruktionerna ska du kontakta hälso- eller sjukvårdspersonal, hjälpmedelscentralen eller teknisk personal innan du använder utrustningen.
- Kontrollera **ALLA** externa komponenter och förpackningen för att säkerställa att inget är skadat. Om någon komponent är skadad eller produkten inte fungerar som den ska kontaktar du en tekniker eller Invacare för reparation.
- Dessa instruktioner **MÅSTE** följas för att säkerställa säker installation, montering och drift av HomeFill-kompressorn.
- **INFORMATIONEN I DET HÄR DOKUMENTET KAN ÄNDRAS UTAN FÖREGÅENDE MEDDELANDE.**



FARA!

Risk för dödsfall, personskada eller sakskada från brand

Textiler, olje- eller petroleumämnen, fett, feta ämnen och andra brännbara ämnen antänds lätt och brinner med stor intensitet i syrgasberikad luft och vid kontakt med syre under tryck. Så här undviker du brand, dödsfall, person- eller sakskada:

- **RÖKNING ÄR FÖRBJUDEN** vid användning av den här enheten.
- **PRODUKTEN FÅR INTE ANVÄNDAS I NÄRHETEN AV ÖPPNA LÅGOR** eller **ANTÄNDNINGSKÄLLOR**.
- Använd **INGA** smörjmedel på kompressorn, såvida det inte rekommenderas av Invacare.
- Skyltar med texten **RÖKNING FÖRBJUDEN** ska vara väl synliga.
- Hindra uppkomsten av gnistor nära syrgasutrustning. Detta omfattar gnistor från statisk elektricitet som skapas genom friktion.
- Inga tändstickor, tända cigaretter eller andra antändningskällor får finnas i det rum där kompressorn är placerad eller i närheten av där syrgasbehandling ges.
- Håll syrgasslangar, sladdar och kompressorn på avstånd från föremål som filter, sängöverkast, stolsdynor och kläder samt på avstånd från uppvärmda eller heta ytor, exempelvis värmeelement, kaminer och liknande elektriska apparater.



FARA!

Risk för dödsfall, personskada eller sakskada från brand

Textiler, olje- eller petroleumämnen, fett, feta ämnen och andra brännbara ämnen antänds lätt och brinner med stor intensitet i syrgasberikad luft och vid kontakt med syre under tryck. Så här undviker du brand, dödsfall, person- eller sakskada:

- Olja från händer eller andra källor får **INTE** komma i kontakt med kompressoranslutningen eller behållarens fästen. Syrgas kan göra sådana ämnen lättantändliga och orsaka personskador. Undvik om möjligt att vidröra behållarens fästen. Exempel på sådant som bör undvikas är handkrämer, matlagingsoljor, sololjor, solkrämer och liknande oljehaltiga produkter. Om du använder sådana produkter rekommenderar Invacare att du tvättar händerna innan du använder HomeFill-enheten. Om något av behållarens fästen kommer i kontakt med sådana ämnen ska de rengöras med en fuktig trasa innan de ansluts till kompressorn.
- Kompressoranslutningen och behållarens fästen får **ALDRIG** oljas eller smörjas. Använd **ALDRIG** penetrerande olja eller smörjmedel som WD-40® eller 3-in-1 Oil®. Om det är svårt att ansluta behållaren ska du kontrollera att behållarens fästen förs rakt ned i kompressoranslutningen. Om problemet kvarstår kontaktar du leverantören för att få hjälp.



FARA!

Risk för elektrisk stöt

Den här enheten innehåller rörliga delar och högtryckskomponenter. Det finns inga delar som kan underhållas under kåpan. Så här undviker du elektriska stötter, personskador och dödsfall:

- **TA INTE BORT** kåpan.
- Vänd dig till behörig personal för service.



VARNING!

Risk för allvarlig skada eller produktskada

Användning av tillbehör som inte är från Invacare kan leda till allvarliga personskador eller produktskador.

- Invacares produkter är särskilt utformade och tillverkade för att användas med tillbehör från Invacare. Tillbehör från andra tillverkare har inte testats av Invacare, och vi rekommenderar inte att sådana används tillsammans med Invacare-produkter.
- **ANVÄND INTE** tillbehör från annan tillverkare än Invacare.
- Beställ tillbehör från Invacare genom att kontakta Invacare via telefon eller via www.invacare.com.



VARNING!

Risk för personskador eller produktskador

Om luftflödet in och ut ur kompressorn blockeras kan det orsaka personskador eller produktskador.

- Blockera **ALDRIG** produktens luftöppningar och placera den aldrig på ett mjukt underlag, t.ex. en säng eller soffa, där luftöppningarna kan blockeras.
- Håll öppningarna fria från ludd, hår och liknande främmande partiklar.

**VARNING!****Risk för personskador eller produktskador**

En skadad produkt kanske inte fungerar som den ska och kan leda till person- eller sakskskador. Så här undviker du personskador och sakskskador:

- Se till att kompressorn INTE blir blöt.
- Om kompressorn har en skadad sladd eller kontakt, om den inte fungerar korrekt, om den har tappats eller skadats eller om den har sänkts ned i vatten ska du kontakta en kvalificerad tekniker som kan undersöka och vid behov reparera den.

**VARNING!**

- ANVÄND INTE kompressorn utomhus. Den är endast avsedd för inomhusbruk.
- Om du upptäcker något läckage på oxygenbehållaren ska du INTE försöka använda behållaren. Vrid flödesväljarvredet på regulatoren till Av. Om läckaget kvarstår placerar du behållaren utomhus och meddelar din hemvårdgivare eller servicerepresentant om det här tillståndet.
- Barn ska ALLTID hållas under uppsikt i närheten av HomeFill-enheten. När enheten används tillsammans med ett HomeFill-bord eller liknande upphöjda stödytor finns det risk för att barnet välter bordet så att enheten ramlar ned. Om denna varning inte följs kan det leda till personskada eller skada på produkten.

**VARNING!****Risk för personskador eller produktskador**

HomeFill är försedd med en säkerhetsventil mot högt tryck för att garantera användarens säkerhet. När denna säkerhetsfunktion aktiveras avger den ett mycket högt ljud. Så här undviker du personskador och sakskskador:

- Om detta ljud hörs ska du stänga av enheten och kontakta din hemvårdgivare eller servicerepresentant.

**VARNING!****Risk för personskador eller produktskador**

Om enheten placeras och fästs på ett olämpligt ställe kan strömkabeln och sammankopplingsslangen göra så att någon snubblar och eventuellt skadar sig. Det kan även leda till skador på produkten.

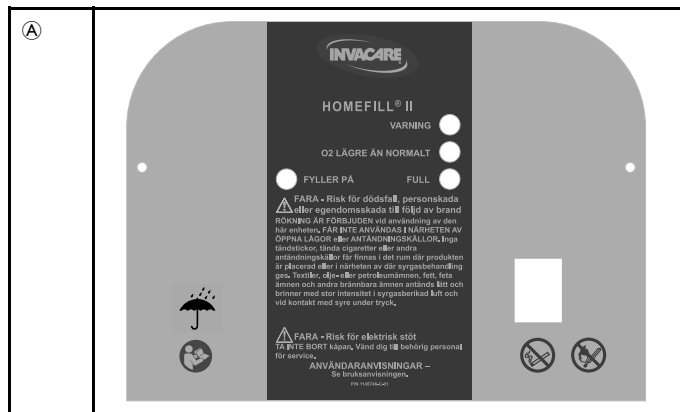
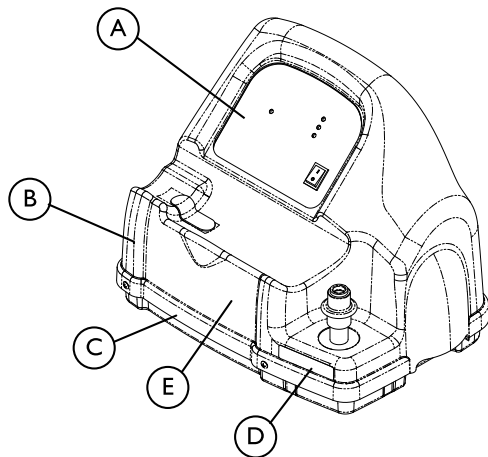
- Strömkabeln och sammankopplingsslangen MÅSTE dras och sättas fast ordentligt.
- Undvik att placera strömkablar i områden med mycket trafik.
- Innan du flyttar eller placerar om kompressorn eller koncentratorn ska du ALLTID dra ut växelströmskablar och sammankopplingsslangen mellan kompressorn och koncentratorn.

**FÖRSIKTIGT!**

Försäljning och uthyrning av den här enheten får enligt lag endast ske till eller på ordination av en läkare som legitimerats av en statlig myndighet där han/hon utövar sitt yrke.

- ENDAST en legitimerad läkare kan beordra köp eller användning av denna enhet.

2.2 Placering av etiketter



B	<p>⚠ DANGER Risk of Death, Injury or Damage from Fire Keep all connections free of oil and grease to avoid violent ignition. See user manual before cleaning. 1075220-D-00</p>
C	<p>⚠ DANGER Risk of Electric Shock DO NOT REMOVE UNIT COVER This unit contains moving and high pressure components. Manufacturer Service Only. 1075221-C-01</p>
D	<p>⚠ DANGER Risk of Death, Injury or Damage from Fire Keep all connections free of oil and grease to avoid violent ignition. See user manual before cleaning. Never oil or lubricate coupling. Cylinders filled on this unit MUST be labeled "Contents of this cylinder are the product of an oxygen concentrator." 1075238-D-00</p>
E	<p>⚠ FARA</p> <p>Risk för dödsfall, personskada eller egendomsskada till följd av brand Se till att alla anslutningar är fria från olja och fett så undviker du anslutning. Se bruksanvisningen innan produkten rengörs. Använd aldrig olja eller smörjmedel på anslutningen. Tubor som fylls på med den här enheten MÅSTE vara märkta "Innehåll i den här tuben kommer från en syrgaskoncentrator".</p> <p>Risk för elektrisk stöt TA INTE BORT ENHETENS KÄPÅ Den här enheten innehåller rörliga delar och högttryckskomponenter. Får endast servas av tillverkaren.</p> <p>TRYCK NED HYLSAN TILLS GRÖNA PUNKTER VISAS INNAN TUBEN ANSLUTS.</p> <p>114802-D-01</p>

2.3 Information från hjälpmedelscentralen



Invacare rekommenderar att en full behållare med syrgas lämnas hos patienten när HomeFill-kompressorn har installerats.

Innan du lämnar HomeFill-kompressorn hos en användare **MÅSTE** du gå igenom följande checklista:

- Kontrollera att trycktestet på behållaren inte är utgången.
- Läs driftinformationen och informationen om möjliga RF-problem i avsnittet om EMC. Se EMC-information.
- Instruera användaren om säker användning av koncentratorn och läs alla varningar.
- Instruera användaren om säker användning av HomeFill-kompressorn och läs alla varningar.
- Lämna en full behållare med syrgas hos användaren.
- Lämna en kopia av alla varningar och påfyllningsinstruktioner hos användaren.

2.4 Dubbelisolerade produkter



FÖRSIKTIGT!

– Dra **INTE** ut strömkabeln genom att dra i kabeln. Håll i själva kontakten och inte i kabeln när du drar ut den, annars kan den skadas.

I en dubbelisolerad produkt finns två typer av isolering istället för jordning. Ingen jordning krävs för dubbelisolerade produkter, och ingen jordning ska heller läggas till för produkten. En dubbelisolerad produkt är märkt med orden "DUBBEL ISOLERING" eller "DUBBELT ISOLERAD" eller symbolen:



2.5 EMC-information



VARNING!

Risk för personskador eller produktskador

Så här minskar du risken för personskador eller produktskador p.g.a. störningar från trådlös utrustning:

- Se till att kompressorn är minst 3 m (9,8 fot) från trådlös kommunikationsutrustning, t.ex. enheter för trådlösa hemmanätverk, mobiltelefoner, sladdlösa telefoner och deras basstationer eller walkie-talkies osv.

Medicinsk elektrisk utrustning måste installeras och användas i enlighet med EMC-informationen i den här manualen.

Den här utrustningen har testats och visats överensstämma med EMC-gränsvärdena som anges i IEC/EN 60601-1-2 för utrustning av typ BF. Dessa gränsvärden har bestämts för att ge rimligt skydd mot elektromagnetiska störningar i en typisk hemvårdsmiljö. Den här utrustningen är inte avsedd för användning i en professionell sjukvårdsmiljö.

Bärbar och mobil RF-kommunikationsutrustning kan påverka driften av den här utrustningen. Kompressorn kan placeras ovanpå en HomeFill-kompatibel syrgaskoncentrator från Invacare under installationen. Kompressorns drift ska kontrolleras för att säkerställa normal påfyllning av behållaren i dessa situationer.

Andra enheter kan störas även av de lägsta nivåerna av elektromagnetisk strålning som tillåts av ovannämnd standard. För att avgöra om det är strålningen från kompressorn som orsakar störningen ska du stänga av kompressorn. Om störningen av den andra enhetens drift upphör är det kompressorn som orsakar störningen. I sådana sällsynta fall kan störningen minskas eller åtgärdas på något av följande sätt:

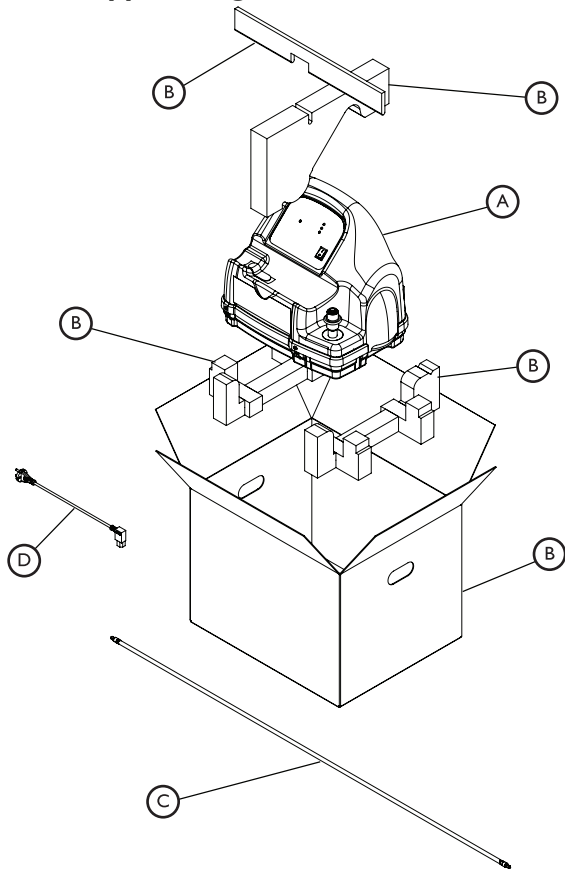
Invacare® HomeFill® II Oxygen System

- Placera om, flytta eller öka avståndet mellan enheterna.
- Anslut någon av de nätanslutna enheterna till en annan elektrisk strömkrets.

Kontakta Invacare om du vill ha ytterligare EMC-information eller EMC-tabeller för enhetens omgivning.

3 Inställningar

3.1 Uppackning



BESKRIVNING	
Kompressorenhet	A
Förpackningsenhet	B
Tillförselslang	C
Strömkabel	D
Bruksanvisning (visas inte)	N/A

1. Kontrollera om det finns några synliga skador på kartongen eller innehållet. Om du upptäcker skador ska du meddela transportföretaget eller din lokala återförsäljare.
2. Ta ut allt löst emballage ur kartongen.
3. Ta försiktigt ut alla komponenter ur kartongen.



Om kompressorn inte ska användas OMEDELBART lämnar du kompressorn i förpackningen för förvaring tills du behöver använda den.

3.2 Checklista för första installationen av kompressorn



ENDAST hjälpmiddelscentraler – se informationen för hjälpmiddelscentralen i avsnittet Säkerhet i den här manualen innan denna procedur utförs.



ENDAST användare – kontakta din hjälpmiddelscentral eller Invacare för att få hjälp med installationen och för att rapportera oväntade funktionssätt eller händelser.

Innan du använder HomeFill-kompressorn för första gången ska du gå igenom följande checklista:

- Välj en plats för kompressorn.
- Transportera kompressorn till den valda platsen.

- Anslut strömkabeln till kompressorn.
- Anslut kompressorn till koncentratorn.

3.3 Välja en plats



FARA!

Risk för dödsfall, personskada eller sakskada från brand

Textiler, olje- eller petroleumämnen, fett, feta ämnen och andra brännbara ämnen antänds lätt och brinner med stor intensitet i syrgasberikad luft och vid kontakt med syre under tryck. Så här undviker du brand, dödsfall, person- eller sakskada:

- RÖKNING ÄR FÖRBJUDEN vid användning av den här enheten.
- **PRODUKTEN FÅR INTE ANVÄNDAS I NÄRHETEN AV ÖPPNA LÅGOR eller ANTÄNDNINGSKÄLLOR.**
- Använd **INGA** smörjmedel på kompressorn, såvida det inte rekommenderas av Invacare.
- Skyltar med texten RÖKNING FÖRBJUDEN ska vara väl synliga.
- Hindra uppkomsten av gnistor nära syrgasutrustning. Detta omfattar gnistor från statisk elektricitet som skapas genom friktion.
- Inga tändstickor, tända cigaretter eller andra antändningskällor får finnas i det rum där kompressorn är placerad eller i närheten av där syrgasbehandling ges.
- Håll syrgasslangar, sladdar och kompressorn på avstånd från föremål som filter, sängöverkast, stolsdynor och kläder samt på avstånd från uppvärmda eller heta ytor, exempelvis värmeelement, kaminer och liknande elektriska apparater.

Kompressorn ska placeras minst 7,6 centimeter (3 tum) från väggar, gardiner och möbler för att säkerställa tillräckligt luftflöde.

Undvik att placera kompressorn intill element, andra värmekällor och varmluftsventiler.

Den får **INTE** användas inuti ett skåp.

Kompressorn ska placeras på en hård, plan, stabil yta, till exempel på ett bord eller på Ready Rack-enheten.



HomeFill Ready Rack-enheten säljs separat och används för att placera HomeFill-kompressorn ovanpå en Perfecto₂- eller Platinum-syrgaskoncentrator. Mer information finns i instruktionsbladet till HomeFill Ready Rack-enheten, artikelnummer 1148363 och 1134824.

3.4 Transportera kompressorn



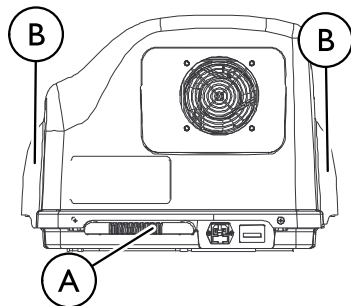
VARNING!

– Transportera ALDRIG en kompressor när en behållare är ansluten till eller förvaras på kompressorn, eftersom det kan leda till person- eller sakskadador.



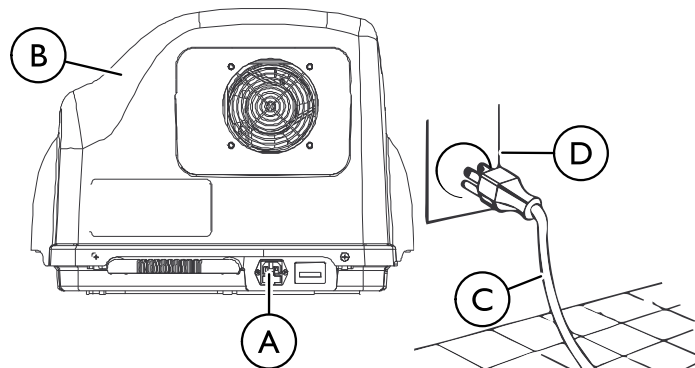
FÖRSIKTIGT!

– När du transporterar kompressorn måste du vara försiktig så att kompressorn eller anslutningarna inte stöter emot något hinder. I annat fall kan kompressorn skadas.



- I. Det finns två metoder för att transportera kompressorn på ett säkert sätt:
 - Med en hand – fatta tag i handtaget **A** längst ned på kompressorns baksida.
 - Med två händer – fatta tag i handtagen **B** på kompressorns sidor.

3.5 Sätta i strömkabeln

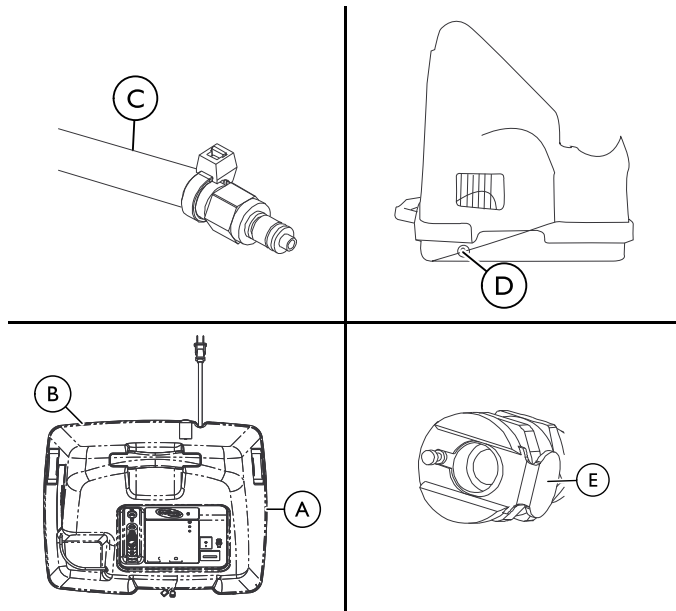


1. Välja en lämplig plats. Se avsnittet Välja en plats i det här avsnittet av manualen.
2. Se till att strömbrytaren är i läget AV (O).
3. Sätt in strömkabeln i anslutningen **A** på baksidan av kompressorn **B**.
4. Anslut kontaktens andra ände **C** till ett vägguttag **D**.
5. Lämna minst 7,6 cm (3 tum) utrymme vid strömkabelns ändrar för att kunna komma åt dem vid bortkoppling.



Strömingången fungerar som en enhet för bortkoppling av nätströmmen så att all ström till enheten bryts när nätkabeln dras ut.

3.6 Ansluta kompressorn till koncentratorn



1. Sätt in ena änden av sammankopplingsslangen ③ i utflödesfästet ② på koncentratorns baksida ①.
2. Sätt in sammankopplingsslangens andra ände i inflödesfästet ④ på sidan av kompressorn.

i Metallflikarna ⑤ på koncentratorns utflödesfäste och kompressorns inflödesfäste hoppar ut och ett klickljud hörs när sammankopplingsslangens ände har satts in på rätt sätt.
3. Linda ihop eventuellt överskott av sammankopplingsslangen och sätt fast det på baksidan av koncentratorn med hjälp av fästbanden.

4 Användande

4.1 Kontrollista för användning av kompressorn

Varje gång du använder HomeFill-kompressorn för att fylla en behållare ska du gå igenom följande checklista:

- Försäkra dig om att koncentratorn har varit påslagen i minst trettio minuter. Se koncentratorns bruksanvisning.
- Utför inspektion av behållaren före påfyllning.
- Anslut behållaren till kompressorn.
- Tryck kompressorns strömbrytare till läget PÅ (I).
- Kontrollera indikatorlamporna på kontrollpanelen.
- Koppla loss och ta bort den fulla behållaren.
- Tryck kompressorns strömbrytare till läget AV (O).
- Om du ska fylla på ytterligare en behållare går du igenom kontrollistan på nytt.

4.2 Inspektion av behållare före påfyllning



VARNING!

- Använd ENDAST behållare som har Invacare HomeFill II-anslutning och HomeFill II-etikett.
- Alla behållare MÅSTE inspekteras innan de fylls på. Annars kan det leda till personsador eller skador på utrustningen.

Du identifierar en HomeFill II-kompatibel behållare **(A)** genom att titta efter ett svart streck **(B)** överst på behållaren och efter HomeFill II-etiketten **(C)**.

<p>GB L10572 L10573 L10574 L10575 CAI I PED</p> <p>This cylinder is to be used with the HomeFill® system. This cylinder contains 934.75 oxygen. Bare O₂ Pressure: 144 bar @ 22.2 °C. Pressure: 144 bar. Max. mass: 9.1 kg (20.1 lb). Key: 144 bar.</p> <p>This product is to be used as an oxygen supplement and is not intended to be used as a replacement for breathing apparatus. Refer to the product manual for additional safety, caution and other instructions.</p> <p>This label is written in several languages. This label contains English in compliance with 93 / 29 / EC. Pressure: 144 bar @ 22.2 °C. Maximum mass: 9.1 kg (20.1 lb). Key: 144 bar.</p> <p>This product is not for use by children without supervision and should be used only in a medical setting. Do not use this product if the pressure is below 144 bar. Do not use this product if the pressure is below 144 bar. Do not use this product if the pressure is below 144 bar. Do not use this product if the pressure is below 144 bar.</p>	<p>F L10572 L10573 L10574 L10575 CAI I PED</p> <p>Cette bouteille doit être utilisée avec le système HomeFill®. Cette bouteille contient 934,75 d'oxygène. Pression nominelle d'oxygène à 22,2 °C : 144 bar. Pression : 144 bar. Masse maximale : 9,1 kg (20,1 lb). Clé : 144 bar.</p> <p>Cette bouteille n'est pas destinée à être utilisée comme complément d'oxygène et n'est pas destinée à remplacer un appareil respiratoire. Reportez-vous au manuel d'utilisation pour des informations supplémentaires. Ce produit est écrit dans plusieurs langues. Cette étiquette contient l'anglais en conformité avec 93 / 29 / CE. Pression nominelle d'oxygène à 22,2 °C : 144 bar. Masse maximale : 9,1 kg (20,1 lb). Clé : 144 bar.</p>
<p>CZ L10572 L10573 L10574 L10575 CAI I PED</p> <p>Tato lahvička je určena k použití se systémem HomeFill®. Tato lahvička obsahuje kyslík v souladu s normou 93 / 29 / ES. Tlak kyslíku při 22,2 °C: 144 bar. Maximální hmotnost: 9,1 kg (20,1 lb). Klíč: 144 bar.</p> <p>Tato lahvička není určena k použití jako doplněk kyslíku a není určena k nahrazení dýchacího přístroje. Pro podrobnější informace se podívejte na přílohu uživatelského manuálu. Tato etiketa je napsána v mnoha jazycích. Tato etiketa obsahuje angličtinou v souladu s normou 93 / 29 / ES. Tlak kyslíku při 22,2 °C: 144 bar. Maximální hmotnost: 9,1 kg (20,1 lb). Klíč: 144 bar.</p>	<p>I L10572 L10573 L10574 L10575 CAI I PED</p> <p>Questo cilindro è destinato all'uso con il sistema HomeFill®. Questo cilindro contiene 934,75 di ossigeno. Pressione nominale dell'ossigeno a 22,2 °C: 144 bar. Pressione: 144 bar. Massa massima: 9,1 kg (20,1 lb). Chiave: 144 bar.</p> <p>Questo cilindro non è destinato ad essere utilizzato come integrazione di ossigeno e non può servire d'appoggio di mantenimento di un sistema di respirazione. Consultare il manuale di istruzioni per ulteriori informazioni. Questo prodotto è scritto in varie lingue. Questo prodotto contiene l'inglese in conformità con la direttiva 93 / 29 / CE. Pressione nominale dell'ossigeno a 22,2 °C: 144 bar. Pressione: 144 bar. Massa massima: 9,1 kg (20,1 lb). Chiave: 144 bar.</p>
<p>DK L10572 L10573 L10574 L10575 CAI I PED</p> <p>Denne beholder er beregnet til brug med HomeFill®-systemet. Denne beholder indeholder 934,75 liter ilt. Nominel tryk: 144 bar. Maksimal vægt: 9,1 kg (20,1 lb). Nøgle: 144 bar.</p> <p>Denne beholder er beregnet til brug som ilt tilbehør og ikke som erstatning for åndedrætsudrustning. Se brugermanualen for yderligere oplysninger og sikkerhedsinstruktioner. Denne etiket er skrevet på flere sprog. Denne etiket indeholder engelsk i overensstemmelse med direktiv 93 / 29 / EF. Nominel tryk: 144 bar. Maksimal vægt: 9,1 kg (20,1 lb). Nøgle: 144 bar.</p>	<p>NL L10572 L10573 L10574 L10575 CAI I PED</p> <p>Deze fles is bestemd voor gebruik met het HomeFill®-systeem. Deze fles bevat 934,75 liter zuurstof. Nominale zuurstofdruk bij 22,2 °C: 144 bar. Druk: 144 bar. Maximale massa: 9,1 kg (20,1 lb). Sleutel: 144 bar.</p> <p>Deze fles is niet bestemd voor gebruik als toevoeging van zuurstof en kan geen ondersteuning bieden voor het behoud van een ademtoestel. Zie de gebruiksaanwijzing voor meer informatie. Deze etiket is geschreven in meerdere talen. Deze etiket bevat het Engels in overeenstemming met Richtlijn 93 / 29 / EG. Nominale zuurstofdruk bij 22,2 °C: 144 bar. Druk: 144 bar. Maximale massa: 9,1 kg (20,1 lb). Sleutel: 144 bar.</p>
<p>D L10572 L10573 L10574 L10575 CAI I PED</p> <p>Das Druckgefäß darf nur mit dem HomeFill®-System verwendet werden. Das Druckgefäß enthält 934,75 Liter Sauerstoff. Nomineller Sauerstoffdruck bei 22,2 °C: 144 bar. Druck: 144 bar. Maximale Masse: 9,1 kg (20,1 lb). Schlüssel: 144 bar.</p> <p>Das Druckgefäß ist nicht für den Einsatz als Sauerstoffergänzung oder als Ersatz für Atemschutzgeräte vorgesehen. Bitte lesen Sie die Bedienungsanleitung für weitere Informationen. Diese Beschriftung ist mehrsprachig. Diese Beschriftung enthält Englisch in Übereinstimmung mit der Richtlinie 93 / 29 / EG. Nomineller Sauerstoffdruck bei 22,2 °C: 144 bar. Druck: 144 bar. Maximale Masse: 9,1 kg (20,1 lb). Schlüssel: 144 bar.</p>	<p>N L10572 L10573 L10574 L10575 CAI I PED</p> <p>Questo cilindro è destinato all'uso con il sistema HomeFill®. Questo cilindro contiene 934,75 litri di ossigeno. Pressione nominale dell'ossigeno a 22,2 °C: 144 bar. Pressione: 144 bar. Massa massima: 9,1 kg (20,1 lb). Chiave: 144 bar.</p> <p>Questo cilindro non è destinato ad essere utilizzato come integrazione di ossigeno e non può servire d'appoggio di mantenimento di un sistema di respirazione. Consultare il manuale di istruzioni per ulteriori informazioni. Questo prodotto è scritto in varie lingue. Questo prodotto contiene l'inglese in conformità con la direttiva 93 / 29 / CE. Pressione nominale dell'ossigeno a 22,2 °C: 144 bar. Pressione: 144 bar. Massa massima: 9,1 kg (20,1 lb). Chiave: 144 bar.</p>
<p>E L10572 L10573 L10574 L10575 CAI I PED</p> <p>Este cilindro es para utilizarlo con el sistema HomeFill®. Este cilindro contiene 934,75 litros de oxígeno. Presión nominal de oxígeno a 22,2 °C: 144 bar. Presión: 144 bar. Máxima masa: 9,1 kg (20,1 lb). Clave: 144 bar.</p> <p>Este cilindro no está destinado a ser utilizado como suplemento de oxígeno y no está destinado a servir de soporte de mantenimiento de un sistema de respiración. Consulte el manual de instrucciones para obtener más información. Esta etiqueta está escrita en varios idiomas. Esta etiqueta contiene el inglés en conformidad con la Directiva 93 / 29 / CE. Presión nominal de oxígeno a 22,2 °C: 144 bar. Presión: 144 bar. Máxima masa: 9,1 kg (20,1 lb). Clave: 144 bar.</p>	<p>PL L10572 L10573 L10574 L10575 CAI I PED</p> <p>Ten cylinder jest przeznaczony do użytku z systemem HomeFill®. Ten cylinder zawiera 934,75 litra tlenu. Nominalne ciśnienie tlenu przy 22,2 °C: 144 bar. Ciśnienie: 144 bar. Maksymalna masa: 9,1 kg (20,1 lb). Klucz: 144 bar.</p> <p>Ten cylinder nie jest przeznaczony do użytku jako uzupełnienie tlenu i nie może służyć jako podpora dla aparatu oddychającego. Proszę przeczytać instrukcję obsługi dla dodatkowych informacji. Ta etykieta jest napisana w wielu językach. Ta etykieta zawiera angielski w zgodzie z dyrektywą 93 / 29 / WE. Nominalne ciśnienie tlenu przy 22,2 °C: 144 bar. Ciśnienie: 144 bar. Maksymalna masa: 9,1 kg (20,1 lb). Klucz: 144 bar.</p>
<p>FI L10572 L10573 L10574 L10575 CAI I PED</p> <p>Tämä sylinteri on tarkoitettu käytettäväksi HomeFill®-järjestelmän kanssa. Tämä sylinteri sisältää 934,75 litraa happea. Nominaalinen happipaino 22,2 °C: 144 bar. Paine: 144 bar. Käyttöpaino: 9,1 kg (20,1 lb). Avain: 144 bar.</p> <p>Tämä sylinteri ei ole tarkoitettu hapen täydennykseen eikä ole tarkoitettu hengityssuojauksen tukemiseksi. Käytä tätä tuotetta vain lääketieteellisiin tarkoituksiin. Tämä etiketti on kirjoitettu useilla kielillä. Tämä etiketti sisältää englannin kielen. Nominaalinen happipaino 22,2 °C: 144 bar. Paine: 144 bar. Käyttöpaino: 9,1 kg (20,1 lb). Avain: 144 bar.</p>	<p>S L10572 L10573 L10574 L10575 CAI I PED</p> <p>Denne beholder er beregnet til brug med HomeFill®-systemet. Denne beholder indeholder 934,75 liter ilt. Nominel tryk: 144 bar. Maksimal vægt: 9,1 kg (20,1 lb). Nøgle: 144 bar.</p> <p>Denne beholder er beregnet til brug som ilt tilbehør og ikke som erstatning for åndedrætsudrustning. Se brugermanualen for yderligere oplysninger og sikkerhedsinstruktioner. Denne etiket er skrevet på flere sprog. Denne etiket indeholder engelsk i overensstemmelse med direktiv 93 / 29 / EF. Nominel tryk: 144 bar. Maksimal vægt: 9,1 kg (20,1 lb). Nøgle: 144 bar.</p>

Oxygen O₂

Authorized Res. in the EU:
Invacare Deutschland GmbH
Münster, Germany

Manufactured by:
Invacare Corp.
201 S. Lake Perry Blvd.
Sellers, FL 32771

PN 1144704-01

Datum för hydrostatisk provning

Aluminiumbehållare MÅSTE genomgå provning vart tionde år.



VARNING!

Risk för personskador

Så här minskar du risken för personskador:

- Behållare som inte har provats under de senaste tio åren får **INTE** fyllas på. Det kan leda till allvarliga personskador. Kontakta din hjälpmedelscentral/leverantör av hemvårdsutrustning för att byta ut den.

Utvändig kontroll

1. Kontrollera behållarens utsida beträffande tillstånden nedan, och byt ut behållaren om något av tillstånden föreligger:
 - Bucklor eller repor
 - Brännmärken från ljusbågar
 - Olja eller fett
 - Andra tecken på skada som kan göra behållaren olämplig eller osäker att använda.
2. Undersök om behållaren har tecken på brand- eller värmeskador. Exempel på sådana tecken är att färg eller skyddande beläggning är förkolnad eller har blivit bubblig eller andra indikationer på värmekänslighet. Om du upptäcker brand- eller värmeskador ska du byta ut behållaren.
3. Inspektera behållar-/regulatorenheten och byt ut den om du upptäcker något av följande:
 - Smuts, olja eller fett
 - Synliga tecken på skada
 - Tecken på rost inuti ventilen
 - Tecken på för hög värme eller brandskada

4.3 Ansluta behållaren till kompressorn



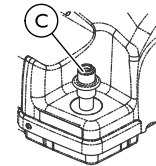
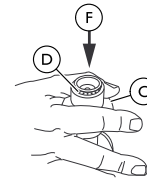
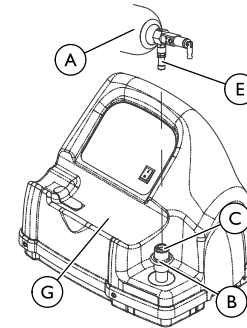
VARNING!

- Använd **ALDRIG** några verktyg för att ansluta/koppla loss behållaren till/från kompressorn. Det kan leda till allvarliga personskador och/eller saksador.




VARNING!

- Syrgasbehållare får **INTE** tappas. Använd båda händerna när du hanterar/transporterar syrgasbehållare. Annars kan det leda till personskador eller skador på utrustningen.
- Vätskor för läckagedetektering får **INTE** användas för att hitta eventuella läckage.




Påfyllningsöppningarnas lock har utelämnats för tydligare bilder.

1. Inspektera produkten beträffande synliga skador före varje användningstillfälle. Se avsnittet Utvändigt kontroll. Den får INTE användas om någon skada upptäcks.


 Om en etikett av någon anledning blir oläslig eller lossnar kontaktar du din hjälpmedelscentral/leverantör av hemvårdsutrustning.

2. Titta på behållarens tryckmätare. Om trycket i behållaren är lägre än 10 342 kPa (1 500 psig) går du till STEG 3.

 Information om tryckmätarens plats finns i behållarens manual.


Om trycket i behållaren är **högre** än 10 342 kPa (1 500 psig) ska du **INTE** försöka fylla på den. Det kan hända att den inte fylls.

3. Ställ in regulatorns flödesratt på behållaren **A** på av. Se behållarens manual.
4. Ta av locken från behållaren och anslutningens påfyllningsöppning (om tillämpligt).
5. För att återställa anslutningen trycker du **NER** den yttre ringen (hylsan) **B** på anslutningens påfyllningsöppning **C** en kort stund tills de **GRÖNA** prickarna **D** syns.

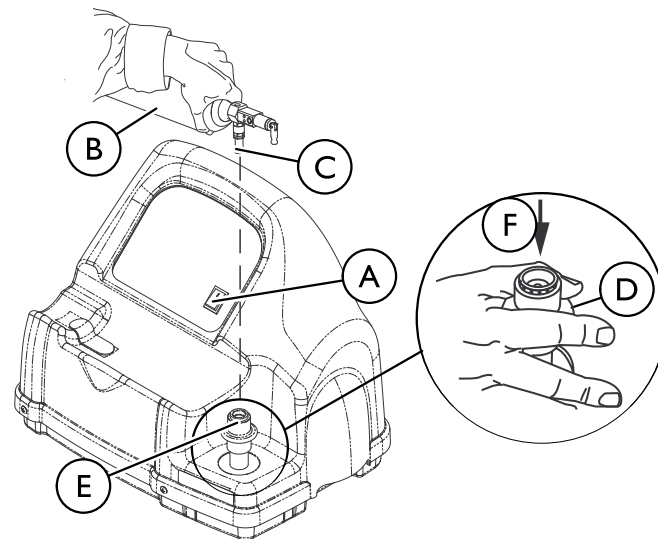
 Om den yttre ringen (hylsan) är i det ÖVRE läget (de **GRÖNA** prickarna syns inte) kan inte behållarens påfyllningsöppning fästas i anslutningens påfyllningsöppning **E**. Om **F** trycks **NER** en kort stund återställs anslutningens påfyllningsöppning (de **GRÖNA** prickarna syns) så att behållarens påfyllningsöppning kan fästas.

6. Ta tag i behållaren bakom behållarens påfyllningsöppning.
7. Placera behållaren i hållaren **C** på kompressorn.

8. Passa in behållarens påfyllningsöppning mot anslutningens påfyllningsöppning.
9. Dra den yttre ringen (hylsan) på anslutningens påfyllningsöppning **UPPÅT** samtidigt som du trycker behållaren **NEDÅT** för att koppla ihop behållarens påfyllningsöppning med anslutningens påfyllningsöppning.

 Ett klickljud hörs när behållaren är korrekt ansluten.

4.4 Koppla loss behållaren från kompressorn



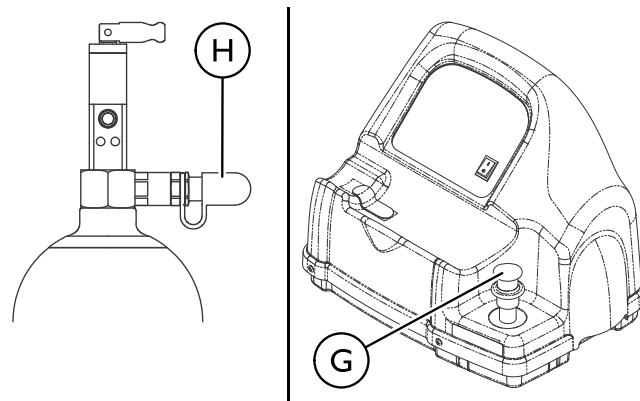


WARNING!

– Använd ALDRIG några verktyg för att ansluta/koppla loss behållaren till/från kompressorn. Det kan leda till allvarliga personskador och/eller saksador.

1. Stäng av kompressorn med strömbrytaren **A** (läge **O**).
2. Ta tag i behållaren **B** i området bakom behållarens påfyllningsöppning **C**.
3. Med den andra handen tar du tag i den yttre ringen (hylsan) **H** på anslutningens påfyllningsöppning **E** och trycker den **NEDÅT** **F**.
4. Lyft upp behållaren för att ta loss den från anslutningens påfyllningsöppning.

5. När behållarens påfyllningsöppning har kopplats loss från anslutningens påfyllningsöppning släpper du den yttre ringen (hylsan) på anslutningens påfyllningsöppning och använder båda händerna för att ta loss behållaren från hållaren på kompressorn.



WARNING!

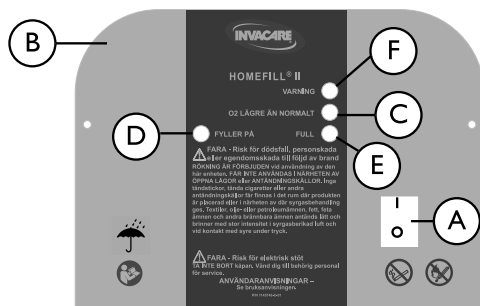
– Locken till anslutningens påfyllningsöppning och behållarens påfyllningsöppning **MÅSTE** alltid sättas tillbaka efter påfyllning och när utrustningen inte används. Om något av locken saknas kontaktar du vårdgivaren innan du använder utrustningen.

6. Sätt på locken på anslutningens påfyllningsöppning **(C)** och behållarens påfyllningsöppning **(H)**.

i När en behållare med stående ventil används ska en syrgasregulator anslutas i enlighet med tillverkarens anvisningar.

7. Titta på behållarens tryckmätare för att kontrollera att behållaren är full (nålen befinner sig i det GRÖNA området). Om behållaren inte är full gör du så här:
- Upprepa proceduren under Ansluta behållaren till kompressorn i det här avsnittet i manualen.
 - Om behållaren inte är full efter det andra påfyllningsförsöket kontaktar du leverantören.

4.5 Sätta på och stänga av kompressorn



1. Se till att koncentratorn är på. Se koncentratorns bruksanvisning.

i Den högsta flödes hastigheten från syrgaskoncentratorn för patientanvändning anges i tabellen nedan. Om den inte följs blir syrgasnivån till kompressorn < 90 % och kompressorn kommer inte att fylla behållaren.


Invacare syrgaskoncentrator	Maximalt utflöde för patientanvändning
Platinum 5	2,5 l/min
Platinum 9	5 l/min
Perfecto ₂	2,5 l/min

i Patienter med ett högre ordinerat flöde ska inte fylla på en behållare under pågående behandling med extra syrgas från syrgaskoncentratorn.

- Kontrollera att koncentratorns flödestakt till patienten är max 2,5 l/min för Platinum 5 och Perfecto₂ samt max 5 l/min för Platinum 9. Se koncentratorns bruksanvisning.
- Se till att behållaren är ansluten till kompressorn. Läs Ansluta behållaren till kompressorn i det här avsnittet i manualen.
- Tryck strömbrytaren **(A)** på kontrollpanelen till läget PÅ (I).


5. Titta på kontrollpanelen ⑤. Följande händelsesekvens bör inträffa:

- a. 0–3 minuter – Lampan för O₂ lägre än normalt (GUL) ③ lyser medan kompressorn värms upp.
- b. Efter tre minuter – lampan för PÅFYLLNING (GRÖN) ④ lyser medan behållaren fylls på.
- c. Lampan för FULL (GRÖN) ⑥ lyser när påfyllningen av behållaren är klar. Gå till STEG 6.

 Lampan för O₂ LÄGRE ÄN NORMALT (GUL) kan tändas om syrgasnivån från koncentratorn ännu inte har uppnått eller faller under 90 %. Kompressorn börjar eller återupptar påfyllningen när syrgasnivån uppnår 90 %. Om lampan inte släcks inom 10 minuter kan du läsa avsnittet Felsökning i den här manualen.

Om VARNINGSLAMPAN (RÖD) lyser och ett larm ⑦ hörs ska du läsa avsnittet Felsökning i den här manualen.

6. Ta bort den fulla behållaren. Läs Koppla loss behållaren från kompressorn i det här avsnittet i manualen.
7. Tryck strömbrytaren till läget AV (O).

 Närmare information om drift och användning av behållaren finns i den specifika bruksanvisningen för behållar-/regulatorenheten.

5 Underhåll

5.1 Information om underhåll



FARA!

Risk för elektrisk stöt

Den här enheten innehåller rörliga delar och högtryckskomponenter. Det finns inga delar som kan underhållas under kåpan. Så här undviker du elektriska stötar, personskador och dödsfall:

- TA INTE BORT kåpan.
- Vänd dig till behörig personal för service.



VARNING!

- Operatören får endast utföra underhåll av de delar och utföra de procedurer som beskrivs i det här avsnittet. Underhåll av alla övriga delar och alla övriga procedurer ska endast utföras av en kvalificerad tekniker.

5.2 Slitage och nötning

Invacare förbehåller sig rätten att återkalla alla komponenter som har något påstått fabriksfel. Specifik garantiinformation finns i garantiavsnittet i den här manualen.

Anvisningar om korrekta intervall för förebyggande underhåll samt användning av produkten finns i bruksanvisningen.

Detta är enbart en allmän vägledning och omfattar inte komponenter som skadats på grund av missbruk eller våld. Livslängden påverkas av många faktorer.

Nedan finns en lista över de produktkomponenter som utgör slitagedelar.

1195664-A

- Alla typer av filter
- Alla typer av slangar

5.3 Livslängd



VARNING!

Risk för personskador eller produktskador

Produkten har testats för den livslängd som uppges i den här manualen. Om produkten används under längre tid kan det orsaka personskador eller produktskador.

- Använd ENDAST produkten under den livslängd som uppges i den här manualen. Överskrid INTE produktens livslängd.
- Utför allt underhåll i enlighet med det rekommenderade schemat i den här manualen.

Produktens förväntade livslängd är fem år eller 5 000 timmars drift när den används i enlighet med säkerhetsinstruktionerna, underhållsintervallen och de korrekta användaranvisningarna som anges i den här manualen. Den faktiska livslängden kan variera beroende på hur mycket och intensivt produkten används. Underhåll bör utföras minst varje vecka.

5.4 Rengöra kompressorfiltret



VARNING!

- Tryck strömbrytaren till läget AV (O) och dra ut strömkabeln till kompressorn före rengöring.
- Kompressorn får INTE användas utan filtret.



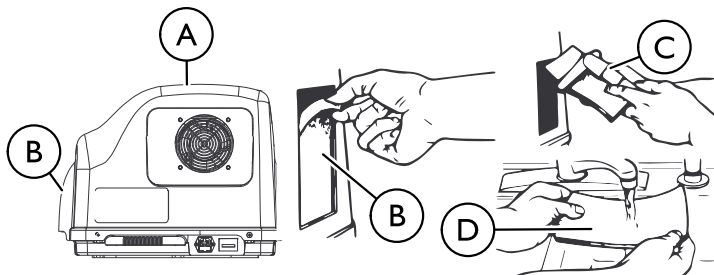
FÖRSIKTIGT!

– Koppla **INTE** från den genom att dra i kabeln. Håll i själva kontakten och inte i kabeln när du drar ut den, annars kan den skadas.



Alla kompressorer har ett filter på höljets baksida.

Genomför den här proceduren minst en gång i veckan.



1. Dra ut strömkabeln till kompressorn **A**. Håll i kontakten och inte i kabeln.
2. Ta ut filtret **B**.
3. Rengör filtret med en dammsugare **C** eller tvätta det i varmt tvålatten och skölj noggrant **D**.
4. Torka filtret noggrant innan du sätter tillbaka det.

5.5 Rengöra höljet



FARA!

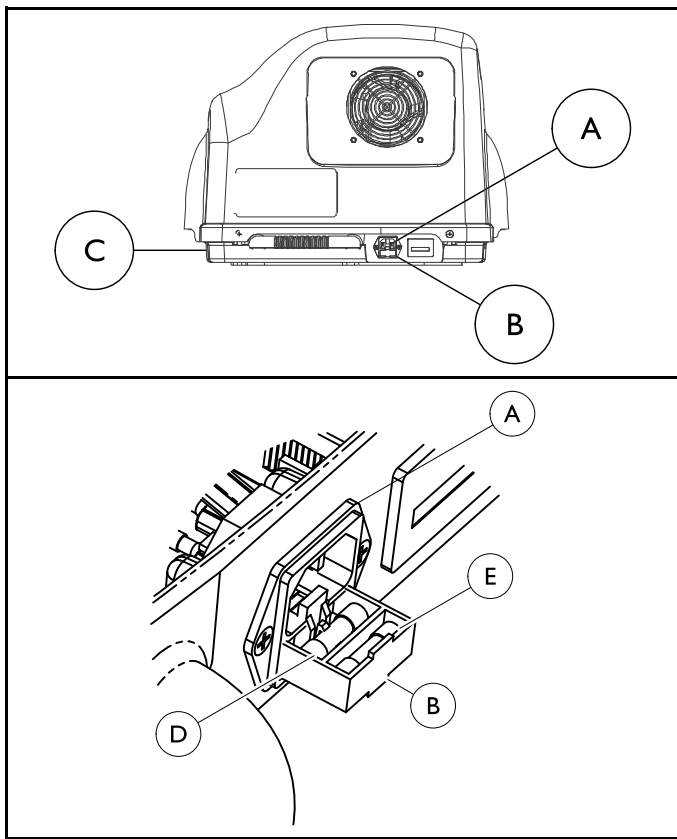
Risk för elektrisk stöt

Den här enheten innehåller rörliga delar och högtryckskomponenter. Det finns inga delar som kan underhållas under kåpan. Så här undviker du elektriska stötar, personskador och dödsfall:

- TA **INTE BORT** kåpan.
- Vänd dig till behörig personal för service.

1. Rengör höljet med ett mildt rengöringsmedel för hemmabruk och en trasa eller svamp som inte repar.

5.6 Byta säkring



1. Dra ut strömkabeln ur eluttaget.
2. Dra ut strömkabeln ur strömingången **A** på kompressorns bas **C**.

3. Dra ut säkringsfacket **B** längst ned i strömingången.
4. Ta ut den främre säkringen ur säkringsfacket med hjälp av en säkringsutdragare eller en liten platt skruvmejsel och kassera den.

i Säkringsfacket har plats för två säkringar. Det främre utrymmet är avsett för den säkring som används. Endast den främre säkringen medföljer enheten. Det bakre utrymmet är avsett för en valfri reservsäkring. När du byter den främre säkringen ska du se till att det finns en reservsäkring av samma typ och märkdata i säkringsfacket.

5. Placera reservsäkringen i det främre säkringsutrymmet **D**.

i Använd endast en säkring med följande egenskaper: 5 mm x 20 mm, tidsfördröjning, låg brytkapacitet, 250 V, 2 A, tillverkad enligt IEC 60127 (Invacare-artikelnnummer 1099820).

6. Skjut tillbaka säkringsfacket in i strömingången.
7. Anslut strömkabeln till strömingången på kompressorns bas.
8. Anslut strömkabeln till eluttaget.
9. Vrid strömbrytaren till läget PÅ **(I)** och kontrollera att enheten slås på ordentligt.
10. Om enheten inte slås på ska du stänga av strömbrytaren, dra ut strömkabeln och kontakta hjälpmedelscentralen, leverantören eller Invacare för service.

6 Återanvändning

6.1 Kassering

Den här produkten levereras av en miljömedveten tillverkare som uppfyller direktiv 2012/19/EU om avfall som utgörs av eller innehåller elektriska eller elektroniska produkter (WEEE).

Produkten kan innehålla ämnen som kan vara skadliga för miljön om produkten kasseras på platser (deponier) som inte är lämpliga enligt lagstiftningen.

Symbolen med en överkryssad soptunna finns på produkten för att uppmuntra till återvinning när så är möjligt.

Följ gällande lokala bestämmelser och återvinningsplaner för kassering av enheten eller sådana komponenter som normalt används tillsammans med den. Enheten ger inte upphov till något avfall eller några restprodukter vid drift. Enheten får INTE slängas i vanligt hushållsavfall. Alla tillbehör som inte utgör någon del av enheten MÅSTE hanteras i enlighet med den separata märkning gällande kassering som finns på dem.

Tänk på miljön och återvinn produkten när den inte längre kan användas. Kontakta Invacare eller din serviceleverantör för att få närmare information om återvinning av produkten.

7 Felsökning

7.1 Indikatorlampor

Färg på indikatorlampa	Kompressorns status	Effekt
Ingen	Kompressorn är avstängd.	O ₂ flödar till användaren om koncentratorn är på.
O ₂ LÄGRE ÄN NORMALT – GUL	Kompressorn är på och värmer upp (0–3 minuter efter att strömmen sätts på).	Påfyllning av behållaren har inte startats.
	O ₂ från koncentratorn är < 90 % (när som helst efter tre minuters uppvärmning).	O ₂ flödar till användaren om koncentratorn är på.
PÅFYLLNING – GRÖN	Kompressorn är påslagen och behållaren fylls på. O ₂ från koncentratorn är > 90 % (när som helst efter tre minuters uppvärmning).	Påfyllning av behållaren avbryts och startar igen när O ₂ > 90 %.
		O ₂ flödar till användaren om koncentratorn är på.
PÅFYLLNING – GRÖN	Kompressorn är påslagen och behållaren fylls på. O ₂ från koncentratorn är > 90 % (när som helst efter tre minuters uppvärmning).	Behållaren fylls på.
		O ₂ flödar till användaren om koncentratorn är på.

Färg på indikatorlampa	Kompressorns status	Effekt
FULL – GRÖN	<p>Kompressorn är påslagen. Påfyllningen av behållaren är klar (full) – ta bort behållaren (lampan för ”FULL” lyser i > 10 min)</p> <p>eller</p> <p>Behållaren är inte ordentligt fastsatt – kontrollera anslutningen (lampan för ”FULL” lyser i < 10 min).</p>	<p>Påfyllningen av behållaren avbryts.</p> <p>Det går inte att fylla på en ny behållare förrän kompressorn har stängts av och slagits på igen.</p> <p>O₂ flödar till användaren om koncentratorn är på.</p>
VARNING – RÖD (ljudlarm)	<p>Kompressorn är påslagen. Behållaren fylls INTE på. Orsaker:</p> <p>Full behållare var ansluten när enheten slogs på – byt ut mot tom behållare</p> <p>eller</p> <p>Internt fel – kontakta hjälpmedelscentralen.</p>	<p>Kompressorn börjar inte fylla på eller så avbryts påfyllningen.</p> <p>Enheter måste stängas av och sättas på innan påfyllning kan ske.</p> <p>O₂ flödar till användaren om koncentratorn är på.</p>

7.2 Felsökning

Problem	Lösning
Inga indikatorlampor lyser när du sätter på kompressorn.	<ol style="list-style-type: none"> 1. Stäng av (O) kompressorn. 2. Kontrollera att strömkabeln är ordentligt ansluten till kompressorn och vägguttaget. 3. Sätt på kompressorn (I). 4. Rengör luftfiltren. Läs Rengöra kompressorfiltret i avsnittet Underhåll i manualen. 5. Om ingen indikatorlampa börjar lysa när du har utfört steg 1–4 ska du kontakta din vårdgivare eller Invacare för service.
RÖD lampa lyser	<ol style="list-style-type: none"> 1. Kontrollera behållarens tryckmätare för att se efter om den är full: <ul style="list-style-type: none"> • Behållaren är full – ta bort behållaren och stäng av enheten. Följ stegen under Inspektion av behållaren före påfyllning i avsnittet Användning i manualen, och se till att använda en behållare som inte är full. • Behållaren är inte full – fortsätt till steg 2. 2. Kontrollera att behållaren är ordentligt ansluten. <ul style="list-style-type: none"> • Stäng av (O) kompressorn. • Ta bort behållaren och sätt tillbaka den igen. • Sätt på kompressorn (I). Om behållaren inte är full och är ordentligt ansluten kan det finnas ett internt fel i kompressorn. Kontakta din vårdgivare eller Invacare.
Kompressorn växlar mellan på och av eller Lamporna för O ₂ lägre än normalt (gul) och påfyllning (grön) visas växelvis eller lampan för O ₂ lägre än normalt (gul) tänds och släcks	<ol style="list-style-type: none"> 1. Kontrollera att koncentratorns literflödesinställning är max 2,5 l/min för Platinum 5- eller Perfecto₂-koncentratorer eller max 5 l/min för Platinum 9-koncentratorer. Ändra literflödesinställningen vid behov (se koncentratorns bruksanvisning). Vänta minst 20 minuter tills den GRÖNA lampan tänds. Om den inte tänds fortsätter du till steg 2. 2. Koncentratorn kanske behöver service. Kontakta din hemvårdgivare eller Invacare.

Problem	Lösning
Lampan för O ₂ lägre än normalt (GUL) fortsätter att lysa	<ol style="list-style-type: none"> 1. Försäkra dig om att koncentratorn har värmts upp under minst 20 minuter. Om det inte har gått 20 minuter stänger du av kompressorn tills koncentratorn har värmts upp. Om den GULA lampan fortfarande lyser fortsätter du till steg 2. 2. Inspektera anslutningen mellan kompressorn och koncentratorn för att se om den är skadad eller hopklämd. <ul style="list-style-type: none"> • Byt ut den om den är skadad. • Råta ut slangen om den är hopklämd. Stäng av (O) kompressorn i minst 10 sekunder. Sätt på kompressorn (I). Om den GULA lampan fortfarande lyser efter 10 minuter fortsätter du till steg 3. 3. Koncentratorn kanske behöver service. Kontakta din hemvårdgivare eller Invacare.
Påfyllningstiderna överskrider de maximala rekommenderade påfyllningstiderna eller den GRÖNA lampan för påfyllning fortsätter att lysa.	<ol style="list-style-type: none"> 1. Kontrollera att behållarens regulator är inställd på AV (O). 2. Kontrollera de rekommenderade påfyllningstiderna i manualen för den enskilda behållaren. 3. Kontrollera att behållaren är ordentligt ansluten. Stäng av (O) kompressorn. Ta bort behållaren och sätt tillbaka den igen. Sätt på kompressorn (I). 4. Kontrollera om kompressor-/koncentratorslangen är rätt ansluten och/eller om den är skadad (dvs. om den läcker eller är vikt). 5. Kontrollera att koncentratorns literflödesinställning är max 2,5 l/min för Platinum 5- eller Perfecto₂-koncentratorer eller max 5 l/min för Platinum 9-koncentratorer. Ändra literflödesinställningen vid behov (se koncentratorns bruksanvisning). Om den GRÖNA lampan för påfyllning inte släcks kanske kompressorn och/eller koncentratorn behöver service. Kontakta din vårdgivare eller Invacare.
Högt ljud när kompressorn är på	<ol style="list-style-type: none"> 1. Kontakta hemvårdgivaren eller Invacare för service.

Problem	Lösning
Väsande ljud från regulatorn när flödesväljaren är avstängd	<ol style="list-style-type: none"> 1. Stäng av flödesväljaren. 2. Om det väsande ljudet fortsätter kontaktar du hemvårdgivaren eller Invacare.
Regulatorn är påslagen men det levereras ingen O ₂	<ol style="list-style-type: none"> 1. Fyll på behållaren. 2. Kontrollera att kanylen är rak och inte hopklämd. Byt ut den om den är skadad. 3. Kontakta hemvårdgivaren eller Invacare för service.



Korrekta påfyllningstider finns i behållarens manual.

Påfyllningstiderna är ungefärliga och kan variera beroende på omgivningsförhållanden.

8 Teknisk data

8.1 Teknisk beskrivning

Syrgassystemet HomeFill II (IOH200AW) är ett elektromekaniskt system för användning i hemmet efter ordination. Dess avsedda funktion och användning är att tillhandahålla komprimerad syrgas för påfyllning av Invacares egenutvecklade gasbehållare för ambulatoriskt bruk medan patienten behandlas med syrgas från en syrgaskoncentrator. IOH200AW-gassystemet är utformat för användning med en Invacare-syrgaskoncentrator med en integrerad HF2-tillbehörsport som kan tillhandahålla en gaskoncentration på över 90 % O₂ med en hastighet på cirka 2 l/min medan syrgas med en terapeutisk flödes hastighet tillförs patienten.



Den högsta flödes hastigheten från syrgaskoncentratorn för patientanvändning anges i tabellen nedan. Om den inte följs blir syrgasnivån till kompressorn < 90 % och kompressorn kommer inte att fylla behållaren.

Invacare syrgaskoncentrator	Maximalt utflöde för patientanvändning
Platinum 5	2,5 l/min
Platinum 9	5 l/min
Perfecto ₂	2,5 l/min

Syrgassystemet HomeFill II består av IOH200AW-gaskompressor, anslutnings slangar och bärbara gasbehållare tillhandahållna av Invacare med integrerad flödesregulator och sammankopplande påfyllningsfäste.

IOH200AW-kompressorn består av en flerstegskompressor, intern reservoar, styrelektronik med integrerad syrgaskoncentrationssensor,

sammankopplande påfyllningsfäste, inflödesfäste och drivmotor. Kompressorns drift styrs av elektronikenheten. Motorn/kompressorn kan endast fylla på en behållare när det ingående gasflödet har en syrgaskoncentration på mer än 90 % och behållarens tryck är högst 10 342 kPa (1 500 psi). Motorn/kompressorn är klar med påfyllningen när gasen i en behållare uppnår det maximala påfyllningstrycket 13 786 kPa (2 000 psi).

IOH200AW-kompressorn kan fylla på bärbara behållare som används av uppegående patienter. De bärbara gasbehållarna som tillhandahålls av Invacare har ett sammankopplande påfyllningsfäste som endast passar till Invacares IOH200AW-kompressorenhet. Gasbehållaren innehåller också en integrerad flödesregulator med fasta, valbara flödesinställningar.

8.2 Behållarnas påfyllningstider

BEHÅLLARNAS PÅFYLLNINGSTIDER	Flödes hastighet från koncentratorn till patienten:	
	Platinum 5 upp till 2,5 l/min. Perfecto ₂ upp till 2,5 l/min. Platinum 9 upp till 5 l/min.	
	HF2PCE9A	HF2PCE6A
NORMALT	2 h 20 min	1 h 25 min
MAXIMALT	2 h 45 min	1 h 50 min



Alla påfyllningstider är ungefärliga och kan variera beroende på omgivningsförhållanden.

8.3 Specifikationer

Standarder:	EN/IEC 60601-1
	EN/IEC 60601-1-2
Elektriska märkdata:	230 V~, 1,0 A, 50 Hz
Omgivningsförhållanden vid drift:	5 till 40 °C (41 till 104 °C) vid 15 till 60 % icke-kondenserande luftfuktighet
Atmosfäriskt tryck:	700 till 1 060 hPa
Förvaring och transport:	-23 till 70 °C (-25 till 158 °F) vid 15 till 95 % icke-kondenserande luftfuktighet.
Ingångstryck som krävs:	96,5–144,7 kPa (14–21 psig)
Inflöde som krävs:	2 l/min
Värde för ingående O ₂ % som krävs:	> 90 % O ₂
Bredd:	51,44 cm (20 ¼ tum)
Höjd:	38,1 cm (15 tum)
Djup:	40,64 cm (16 tum)
Vikt:	14,97 kg (33 lbs)
Lastningsvikt:	17,69 kg (39 lbs)
Maximal temperatur för patientansluten del	50 °C (122 °F)

Notes

Notes

Belgium & Luxemburg: Invacare nv, Autobaan 22, B-8210 Loppem • Tel: (32) (0) 50 83 10 10 • Fax: (32) (0) 50 83 10 11 • belgium@invacare.com • www.invacare.be

Danmark: Invacare A/S, Sdr. Ringvej 37, DK-2605 Brøndby • Tel: (45) (0)36 90 00 00 • Fax: (45) (0)36 90 00 01 • denmark@invacare.com • www.invacare.dk

Deutschland: Invacare GmbH, Alemannenstraße 10, D-88316 Isny • Tel: (49) (0)75 62 7 00 0 • Fax: (49) (0)75 62 7 00 66 • kontakt@invacare.com • www.invacare.de

Eastern Europe, Middle East & CIS: Invacare EU Export • Kleiststraße 49 • D-32457 Porta Westfalica • Germany • Tel: (49) 5731 754540 • Fax: (49) 5731 754541 • webinfo-eu-export@invacare.com • www.invacare-eu-export.com

España: Invacare SA, c/Areny s/n, Polígon Industrial de Celrà, E-17460 Celrà (Girona) • Tel: (34) (0)972 49 32 00 • Fax: (34) (0)972 49 32 20 • contactsp@invacare.com • www.invacare.es

France: Invacare Poirier SAS, Route de St Roch, F-37230 Fondettes • Tel: (33) (0)2 47 62 64 66 • Fax: (33) (0)2 47 42 12 24 • contactfr@invacare.com • www.invacare.fr

Ireland: Invacare Ireland Ltd, Unit 5 Seatown Business Campus • Seatown Road, Swords, County Dublin – Ireland • Tel: (353) 1 810 7084 • Fax: (353) 1 810 7085 • ireland@invacare.com • www.invacare.ie

Italia: Invacare Mecc San s.r.l., Via dei Pini 62, I-36016 Thiene (VI) • Tel: (39) 0445 38 00 59 • Fax: (39) 0445 38 00 34 • italia@invacare.com • www.invacare.it

Nederland: Invacare AE, Galvanistraat 14–3, NL–6716 BZ Ede • Tel: (31) (0)318 695 757 • Fax: (31) (0)318 695 758 • nederland@invacare.com • csede@invacare.com • www.invacare.nl

Norge: Invacare AS, Grensesvingen 9, Postboks 6230, Etterstad, N-0603 Oslo • Tel: (47) (0)22 57 95 00 • Fax: (47) (0)22 57 95 01 • norway@invacare.com • island@invacare.com • www.invacare.no

Österreich: Invacare Austria GmbH, Herzog Odilostrasse 101, A-5310 Mondsee • Tel: (43) 6232 5535 0 • Fax: (43) 6232 5535 4 • info@invacare-austria.com • www.invacare.at

Portugal: Invacare Lda • Rua Estrada Velha, 949, P-4465-784 Leça do Balio • Tel: (351) (0)225 1059 46/47 • Fax: (351) (0)225 1057 39 • portugal@invacare.com • www.invacare.pt

Sverige: Invacare AB • Fagerstagatan 9 • S-163 53 Spånga • Tel: (46) (0)8 761 70 90 • Fax: (46) (0)8 761 81 08 • sweden@invacare.com • www.invacare.se

Suomi: Camp Mobility • Patamäenkatu 5, 33900 Tampere • Tel: 09-350 76 310 • info@campmobility.fi • www.campmobility.fi

Schweiz/Suisse/Svizzera: Invacare AG • Benkenstrasse 260 • CH-4108 Witterswil • Tel.: (41) (0)61 487 70 80 • Fax.: (41) (0)61 487 70 81 • switzerland@invacare.com • www.invacare.ch

United Kingdom: Invacare Limited, Pencoed Technology Park, Pencoed, Bridgend CF35 5HZ • Tel: (44) (0) 1656 776222 • Fax: (44) (0) 1656 776220 • UK@invacare.com • www.invacare.co.uk

Invacare Corporation

USA
One Invacare Way
Elyria, Ohio USA
44035
440-329-6000
800-333-6900
Technical Services
440-329-6593
800-832-4707
www.invacare.com



Manufacturer:
Invacare Corporation
2101 E. Lake Mary Blvd.
Sanford, FL USA 32773
407-321-5630



Invacare Deutschland GmbH
Kleiststraße 49
D-32457 Porta Westfalica
Germany
Tel: (49) (0) 5731 754 0
Fax: (49) (0) 5731 754 52191



1195664-A

2017-05-24



Making Life's Experiences Possible®



Yes, you can.®