



Yes, you can.®

Spare Parts Catalogue

Version: 2015/04/09b EN



Yes, you can.®

General Information

For any order of spare parts the following information is required:

- Product type*
- Product name & model*
- Serial Number*
- Part-Number*
- Part-Description*

Exploded view drawings and code numbers are not contractual and subject to modification, in relation to Invacare® continuous product improvement policy to meet end users needs.

The reproduction or use of this work, or of any substantial part of this work, in any form or by any electronic, mechanical or other means, including photocopying, scanning and recording, and in any information storage and retrieval system, including electronic transmission, is forbidden without the prior written permission of Invacare® International Sarl.



Yes, you can.®

TABLE OF CONTENTS

Information & User Manuals

| | |
|---------------------------|---|
| User Manual Fox | 7 |
| User Manuals Shark2 | 8 |
| User Manual VR2 | 9 |

Chassis

| | |
|-------------------|----|
| Chassis | 10 |
| Pendulum | 11 |
| Shrouds | 12 |
| Antitippers | 13 |

Seat

| | |
|--------------------------------|----|
| Seat Frame => 31.07.14 | 14 |
| Seat Frame | 15 |
| Seat Frame 01.08.14 => | 16 |
| Sling Seat => 31.07.14 | 17 |
| Sling Seat | 18 |
| Sling Seat 01.08.14 => | 19 |
| Seat Board => 31.07.14 | 20 |
| Seat Board | 21 |
| Seat Board 01.08.14 => | 22 |
| Seat Cushion => 31.07.14 | 23 |
| Seat Cushion | 24 |
| Seat Cushion 01.08.14 => | 25 |

Backrest

| | |
|---|----|
| Backrest Support/Recliner => 31.07.14 | 26 |
| Backrest Support | 27 |
| Backrest Support/Recliner 01.08.14 => | 28 |
| Backrest - Sling Upholstery | 29 |
| Backrest - Tension adjustable | 30 |

Legrests

| | |
|--|----|
| Hangers Standard 80° (Aluminium) with Footplates | 31 |
| Hangers 80° swing in/swing out (steel) with Footplates | 32 |
| Legrest Manual Elevating with Footplates | 33 |
| Amputee Support | 34 |

Armrests

| | |
|------------------------|----|
| T-Armrest | 35 |
| Inrigged Armrest | 36 |

Castors

| | |
|-------------------------------------|----|
| Castor (black rim) with Fork | 37 |
| Castor (silver rim) with Fork | 38 |

Drive Wheels



Yes, you can.®

TABLE OF CONTENTS

| | |
|---|----|
| Drive Wheel (black rim, plastic) | 39 |
| Drive Wheel (silver rim, aluminium) | 40 |
| Propulsion | |
| Motors | 41 |
| Electronic | |
| Electronic | 42 |
| Shark Electronic | 43 |
| Shark Electronic Modules | 44 |
| Shark Remote & Brackets | 45 |
| Remote Bracket Standard | 46 |
| Remote Bracket Swing away & height adjust. | 47 |
| Remote Bracket Attendant | 48 |
| Remote Bracket Dual Control | 49 |
| Shark Cable & Accessories | 50 |
| Cable Shark | 51 |
| Bus-Cables Shark | 52 |
| Programming Kits | 53 |
| VR2 Electronic | 54 |
| VR2 Electronic Modules | 55 |
| VR2 Remote & Brackets | 56 |
| Remote Bracket Standard | 57 |
| Remote Bracket Swing away & height adjust. | 58 |
| Remote Bracket Attendant | 59 |
| Remote Bracket Dual Control | 60 |
| VR2 Cable | 61 |
| Batteries & Chargers | |
| Battery | 62 |
| Battery Accessories | 63 |
| Battery Cover | 64 |
| Charger | 65 |
| Safety Options & Accessories | |
| Wheel Locks | 66 |
| Kerbrider | 67 |
| Lap Belt | 68 |
| Seat Accessories | |
| Neckrest | 69 |
| Headrest Sidewise Adjustable | 70 |
| Accessories | |
| Caneholder | 71 |
| Oxygen Bottle Holder | 72 |
| Trays | 73 |
| KLICKfix® bag | 74 |
| KLICKfix® bracket for T-Armrest | 75 |



Yes, you can.[®]

TABLE OF CONTENTS

| | |
|---------------|----|
| Toolkit | 76 |
|---------------|----|

User Manual Fox

languages.iso

| | | | | | | | |
|----|-----------|----|----------|----|-------------|----|------------|
| BG | Български | FR | Français | NL | Nederlands | SV | Svenska |
| CS | Čeština | HE | עברית | NO | Norsk | UK | Українська |
| DA | Dansk | HR | Hrvatski | PL | Polski | | |
| DE | Deutsch | HU | Magyar | PT | Português | | |
| EN | English | IT | Italiano | RU | Русский | | |
| ES | Español | JA | 日本語 | RO | Română | | |
| ET | Eesti | LV | Latviešu | SK | Slovenčina | | |
| FI | Suomi | LT | Lietuvių | SL | Slovenščina | | |

| Pos. | Part number | Description | Valid from → until | Qty |
|------|--------------|--------------------|--------------------|-----|
| | CS SP1577094 | User Manual Fox CS | | 1 |
| | DA SP1577075 | User Manual Fox DA | | 1 |
| | EN SP1577074 | User Manual Fox EN | | 1 |
| | ES SP1577076 | User Manual Fox ES | | 1 |
| | ET SP1577095 | User Manual Fox ET | | 1 |
| | FR SP1577077 | User Manual Fox FR | | 1 |
| | HR SP1577096 | User Manual Fox HR | | 1 |
| | HU SP1585142 | User Manual Fox HU | | 1 |
| | IT SP1577078 | User Manual Fox IT | | 1 |
| | LT SP1577097 | User Manual Fox LT | | 1 |
| | PL SP1585357 | User Manual Fox PL | | 1 |
| | PT SP1577079 | User Manual Fox PT | | 1 |
| | SL SP1577098 | User Manual Fox SL | | 1 |
| | SV SP1577080 | User Manual Fox SE | | 1 |
| | UK SP1579820 | User Manual Fox UK | | 1 |

User Manuals Shark2

languages.io

| | | | | | | | |
|----|-----------|----|----------|----|-------------|----|------------|
| BG | Български | FR | Français | NL | Nederlands | SV | Svenska |
| CS | Čeština | HE | עברית | NO | Norsk | UK | Українська |
| DA | Dansk | HR | Hrvatski | PL | Polski | | |
| DE | Deutsch | HU | Magyar | PT | Português | | |
| EN | English | IT | Italiano | RU | Русский | | |
| ES | Español | JA | 日本語 | RO | Română | | |
| ET | Eesti | LV | Latviešu | SK | Slovenčina | | |
| FI | Suomi | LT | Lietuvių | SL | Slovenščina | | |

| Pos. | Part number | Description | Valid from → until | Qty |
|------|--------------|---------------------------------|--------------------|-----|
| | DE 1451346 | User Manual Shark II German | | 1 |
| | FR 1451347 | User Manual Shark II French | | 1 |
| | SV 1451348 | User Manual Shark II Swedish | | 1 |
| | DA 1451349 | User Manual Shark II Danish | | 1 |
| | NO 1451350 | User Manual Shark II Norwegian | | 1 |
| | NL 1451351 | User Manual Shark II Dutch | | 1 |
| | ES 1451352 | User Manual Shark II Spanish | | 1 |
| | PT 1451353 | User Manual Shark II Portuguese | | 1 |
| | IT 1451354 | User Manual Shark II Italian | | 1 |
| | FI 1451355 | User Manual Shark II Finnish | | 1 |
| | EN 1451356 | User Manual Shark II English | | 1 |
| | SL 1451584 | User Manual Shark II Slovenian | | 1 |
| | CS SP1533297 | User Manual Shark2 CS | | 1 |
| | ET SP1533298 | User Manual Shark2 EE | | 1 |
| | HU SP1533299 | User Manual Shark2 HU | | 1 |
| | LT SP1533300 | User Manual Shark2 LT | | 1 |
| | PL SP1533301 | User Manual Shark2 PL | | 1 |
| | BG SP1546061 | User Manual Shark II Bulgarian | | 1 |
| | RU SP1570186 | User Manual Shark II Russian | | 1 |
| | HR SP1574028 | User Manual Shark II Croatian | | 1 |
| | LV SP1576075 | User Manual Shark II Latvian | | 1 |

User Manual VR2

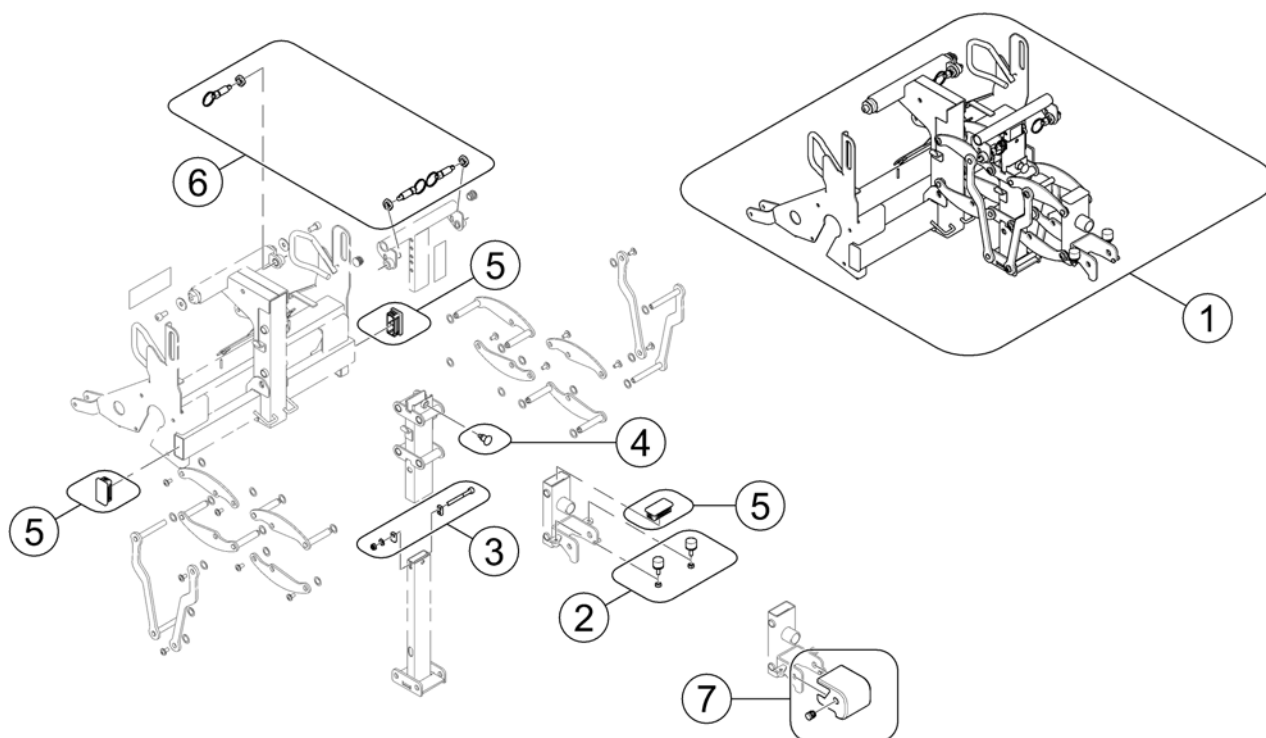
languages.io

| | | | | | | | |
|----|-----------|----|----------|----|-------------|----|------------|
| BG | Български | FR | Français | NL | Nederlands | SV | Svenska |
| CS | Čeština | HE | עברית | NO | Norsk | UK | Українська |
| DA | Dansk | HR | Hrvatski | PL | Polski | | |
| DE | Deutsch | HU | Magyar | PT | Português | | |
| EN | English | IT | Italiano | RU | Русский | | |
| ES | Español | JA | 日本語 | RO | Română | | |
| ET | Eesti | LV | Latviešu | SK | Slovenčina | | |
| FI | Suomi | LT | Lietuvių | SL | Slovenščina | | |

| Pos. | Part number | Description | Valid from → until | Qty |
|------|-------------|---------------------|--------------------|-----|
| EN | 1514275 | User Manual VR 2 EN | | 1 |

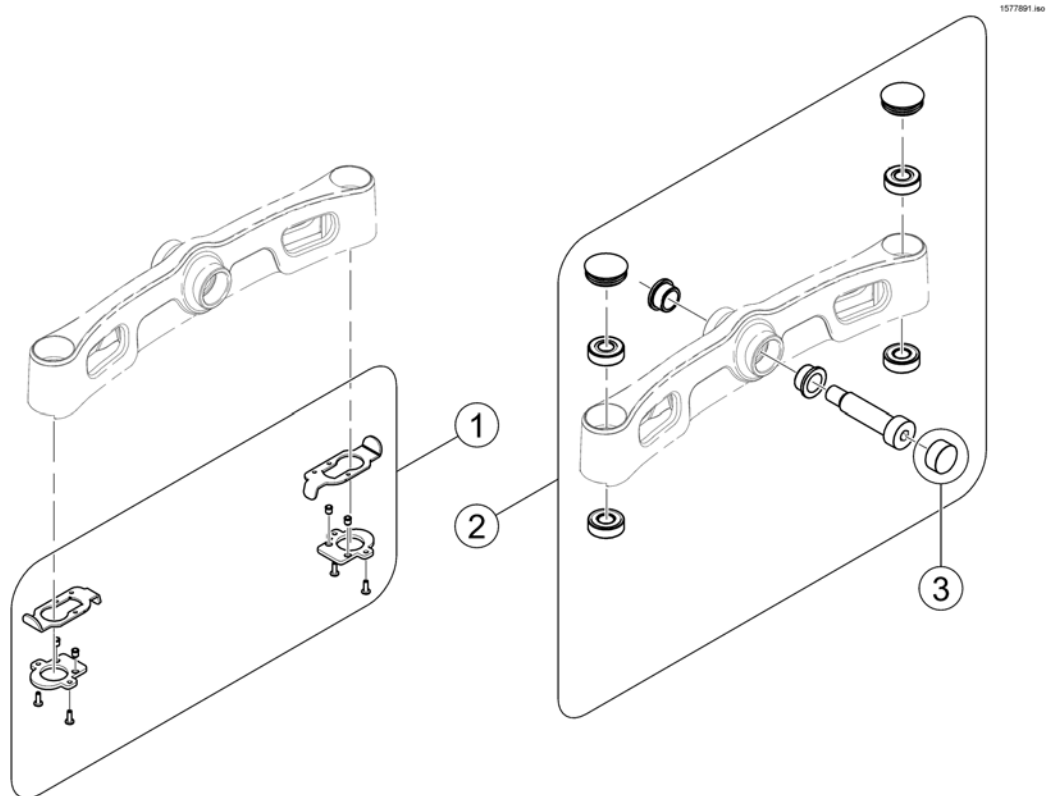
Chassis

1577889.iso



| Pos. | Part number | Description | Valid from → until | Qty |
|------|-------------|-----------------------------------|--------------------|-----|
| 1 | SP1563162 | Chassis | | 1 |
| 2 | SP1577999 | Puffer Plate Kit | | 1 |
| 3 | SP1578000 | Mounting Hardware Seat Post Front | | 1 |
| 4 | 5006742 | Pull-Latch, small | | 1 |
| 5 | SP1524459 | Plug | | 1 |
| 6 | SP1578001 | Snapper Kit | | 1 |
| 7 | SP1576076 | Cover | | 1 |

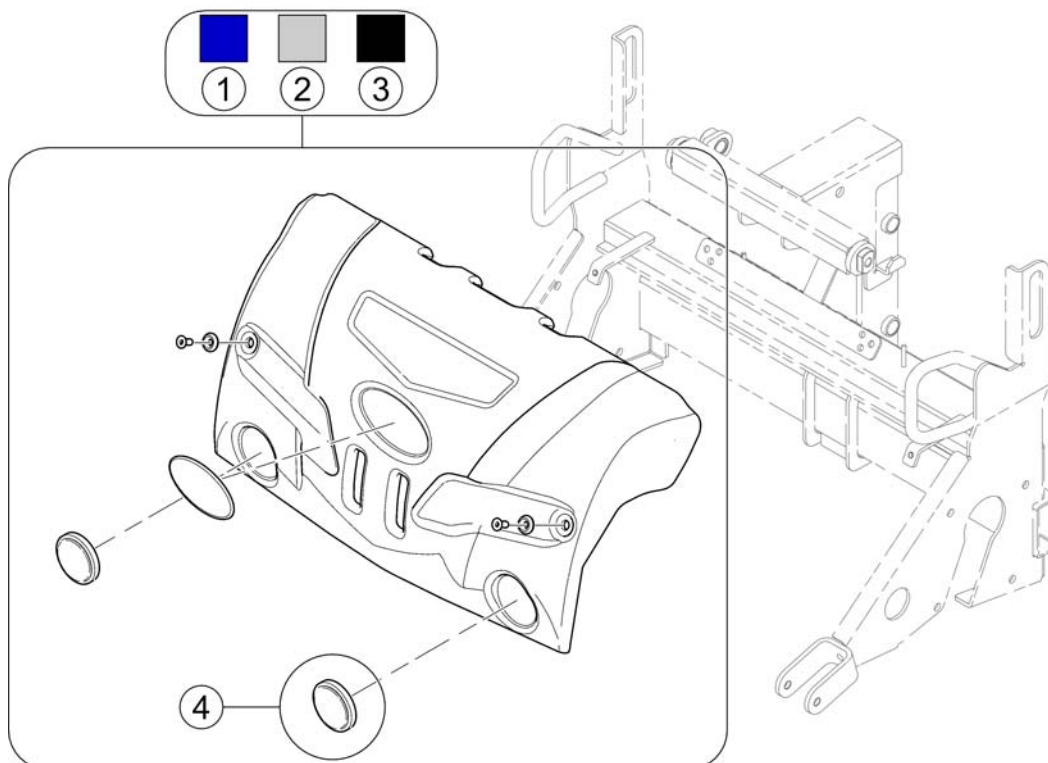
Pendulum



| Pos. | Part number | Description | Valid from → until | Qty |
|------|-------------|---------------------------|--------------------|-----|
| 1 | SP1578002 | Castor Lock Levers | | 1 |
| 2 | SP1578003 | Bearing Kit Pendulum Axis | | 1 |
| 3 | SP1524745 | Design Cap | | 1 |

Shrouds

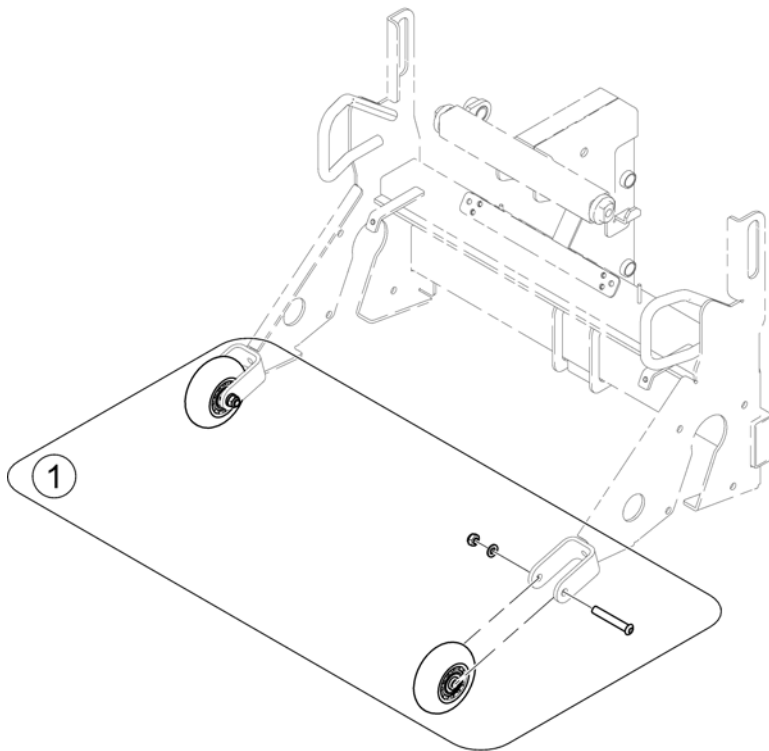
1577990 iso



| Pos. | Part number | Description | Valid from → until | Qty |
|------|-------------|------------------------------|--------------------|-----|
| 1 | SP1576057 | Rear Cover, pearl night blue | | 1 |
| 2 | SP1576059 | Rear Cover, metallic silver | | 1 |
| 3 | SP1576058 | Rear Cover, silky matt black | | 1 |
| 4 | SP1541591 | Reflector, red | | 1 |

Antitippers

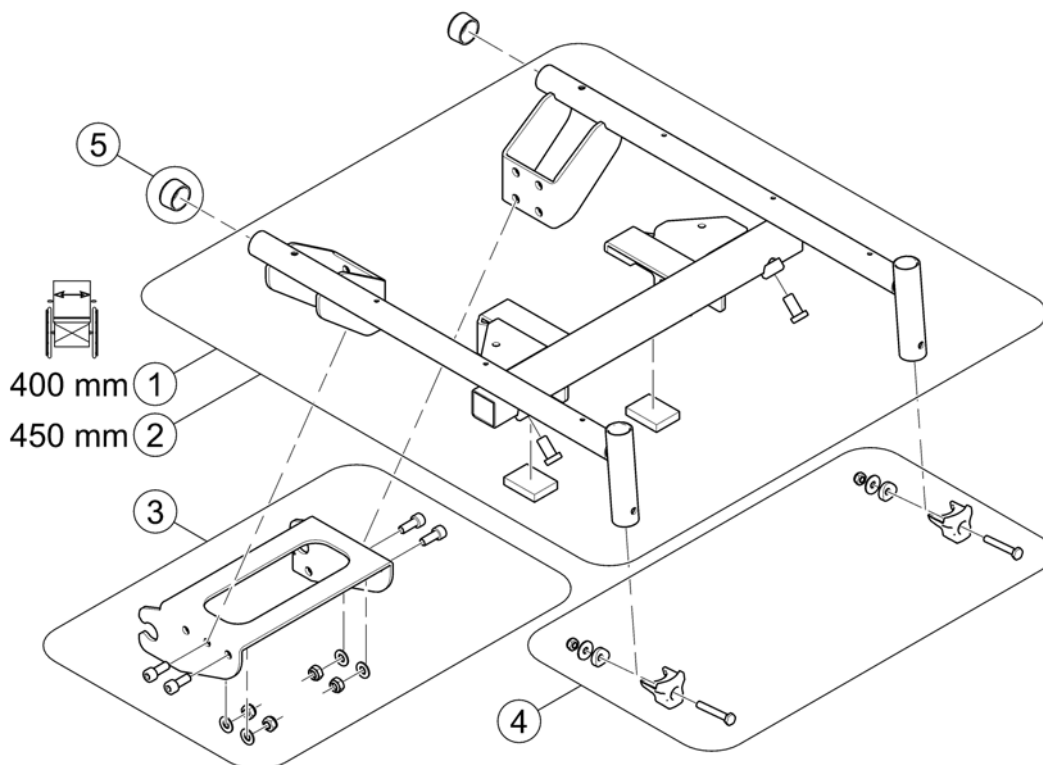
1577958.iso



| Pos. | Part number | Description | Valid from → until | Qty |
|------|-------------|-------------|--------------------|-----|
| 1 | SP1575791 | Antitippers | | 1 |

Seat Frame => 31.07.14

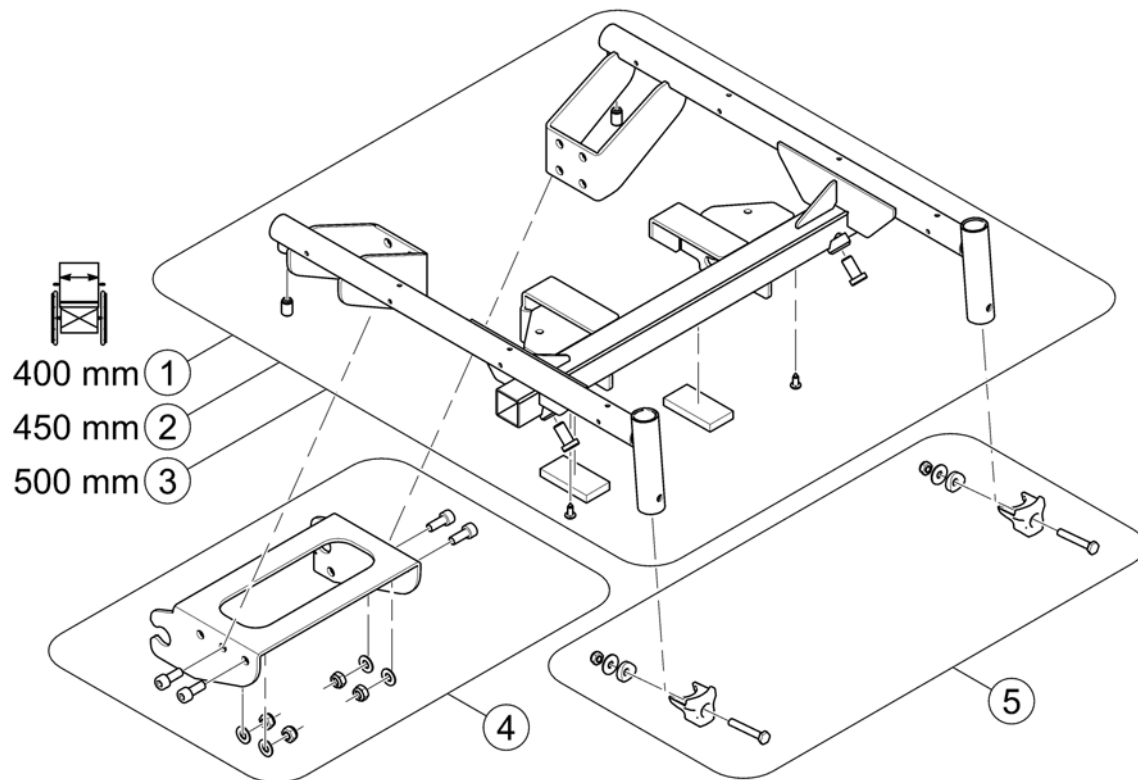
1577892.iso



| Pos. | Part number | Description | Valid from → until | Qty |
|------|-------------|------------------------------------|--------------------|-----|
| 1 | SP1578005 | Seat Frame 400mm <i>[0361]</i> | | 1 |
| 2 | SP1578007 | Seat Frame 450mm <i>[0345]</i> | | 1 |
| 3 | SP1577082 | Seat Support back | | 1 |
| 4 | SP1578006 | Mounting Hardware Legrest fixation | | 1 |
| 5 | SP500017 | Cap (round) | | 2 |

Seat Frame

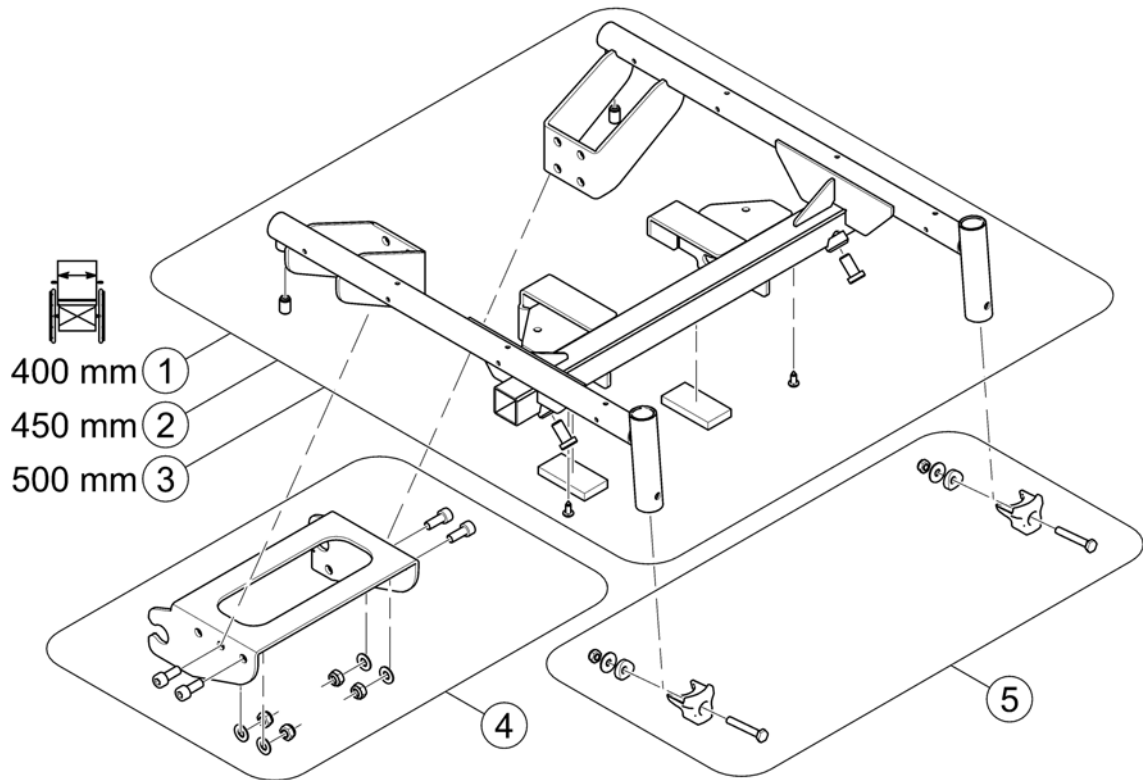
1580227 iso



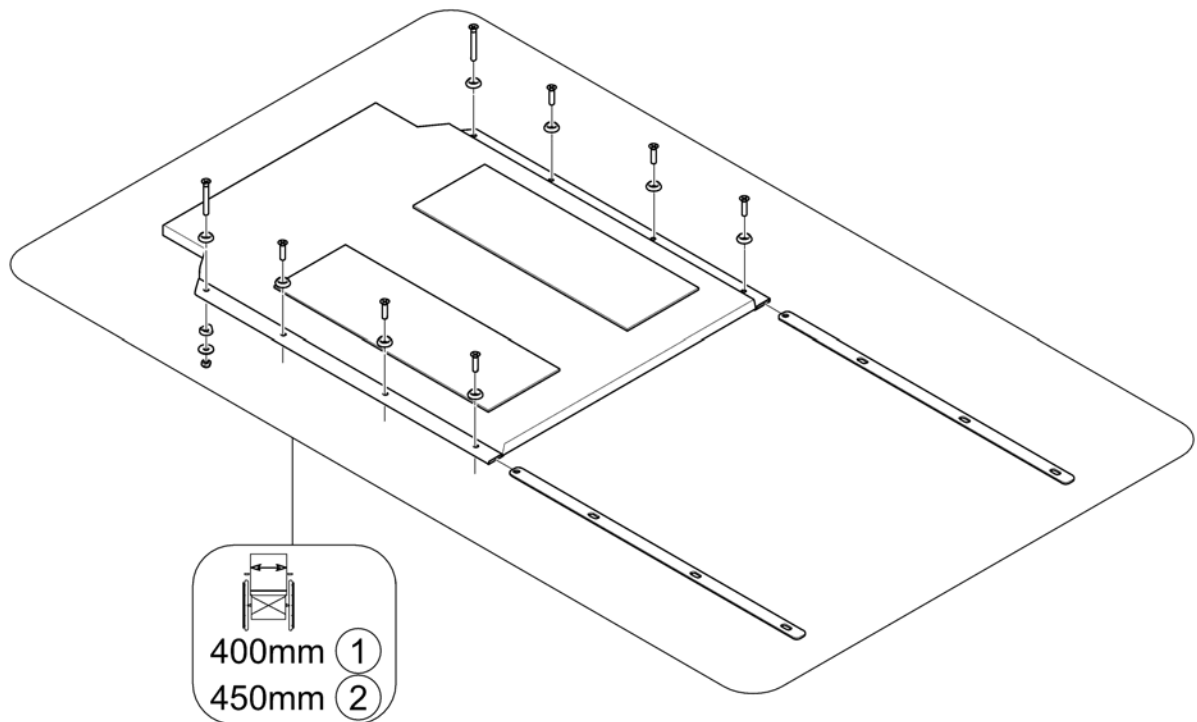
| Pos. | Part number | Description | Valid from → until | Qty |
|------|-------------|------------------------------------|--------------------|-----|
| 1 | SP1580325 | Seat Frame 400mm <i>[0361]</i> | | 1 |
| 2 | SP1580326 | Seat Frame 450mm <i>[0345]</i> | | 1 |
| 3 | SP1580328 | Seat Frame 500mm <i>[0350]</i> | | 1 |
| 4 | SP1577082 | Seat Support back | | 1 |
| 5 | SP1578006 | Mounting Hardware Legrest fixation | | 1 |

Seat Frame 01.08.14 =>

1580227 iso



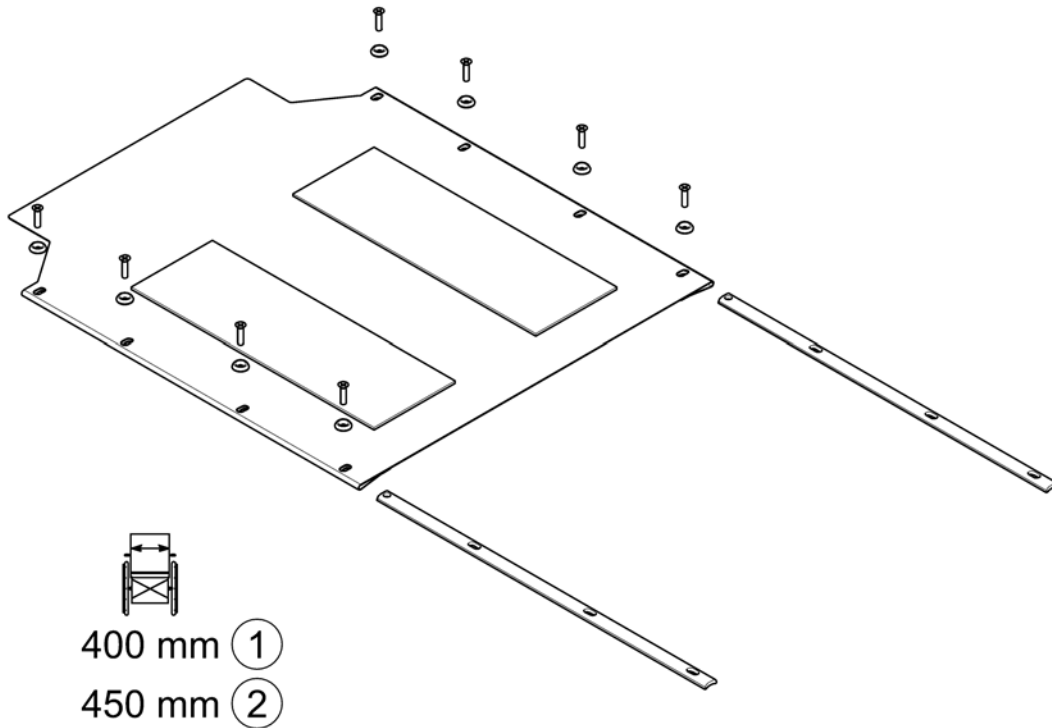
| Pos. | Part number | Description | Valid from → until | Qty |
|------|-------------|------------------------------------|--------------------|-----|
| 1 | SP1580325 | Seat Frame 400mm <i>[0361]</i> | | 1 |
| 2 | SP1580326 | Seat Frame 450mm <i>[0345]</i> | | 1 |
| 3 | SP1580328 | Seat Frame 500mm <i>[0350]</i> | | 1 |
| 4 | SP1577082 | Seat Support back | | 1 |
| 5 | SP1578006 | Mounting Hardware Legrest fixation | | 1 |



| Pos. | Part number | Description | Valid from → until | Qty |
|------|-------------|----------------------------|--------------------|-----|
| 1 | SP1578022 | Sling Seat 400mm [0361] | | 1 |
| 2 | SP1578051 | Sling Seat 450mm [0345] | | 1 |

Sling Seat

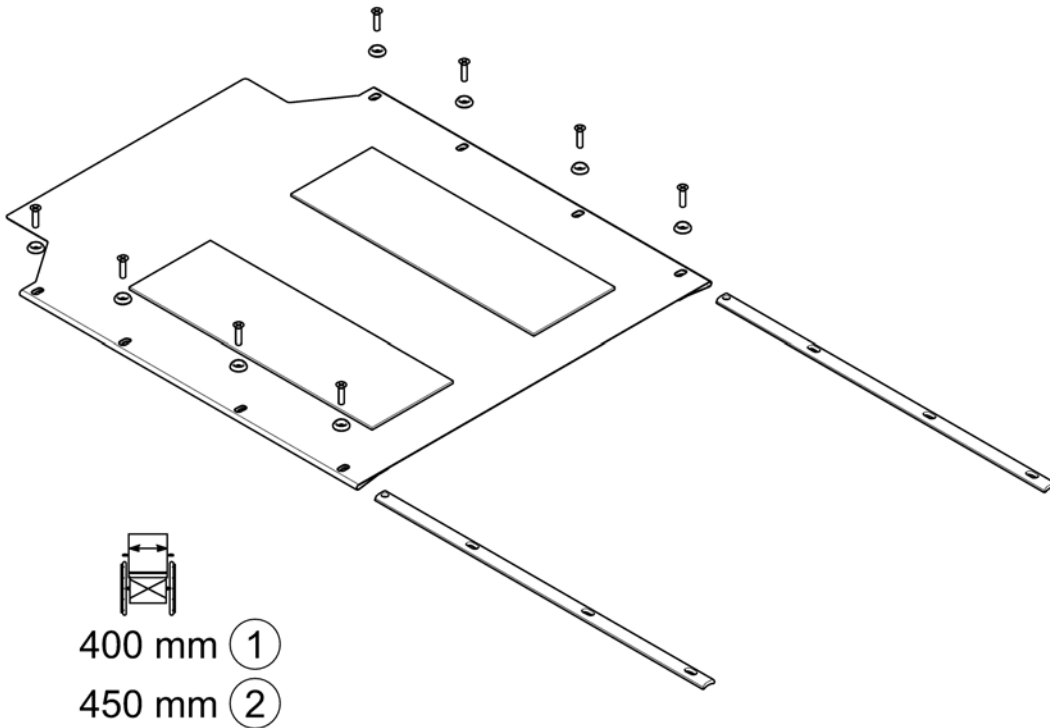
1580286 iso



| Pos. | Part number | Description | Valid from → until | Qty |
|------|-------------|-----------------------------------|--------------------|-----|
| 1 | SP1579521 | Sling Seat 400mm <i>[0361]</i> | | 1 |
| 2 | SP1579522 | Sling Seat 450mm <i>[0345]</i> | | 1 |

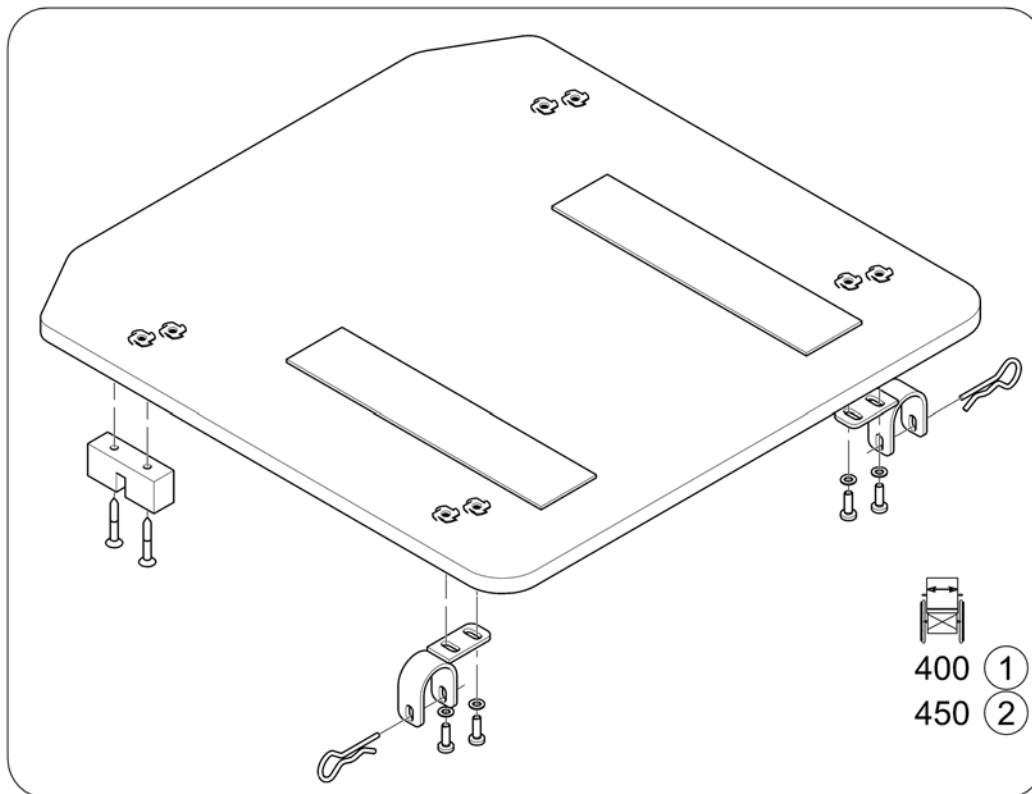
Sling Seat 01.08.14 =>

1580286 iso



| Pos. | Part number | Description | Valid from → until | Qty |
|------|-------------|-----------------------------------|--------------------|-----|
| 1 | SP1579521 | Sling Seat 400mm <i>[0361]</i> | | 1 |
| 2 | SP1579522 | Sling Seat 450mm <i>[0345]</i> | | 1 |

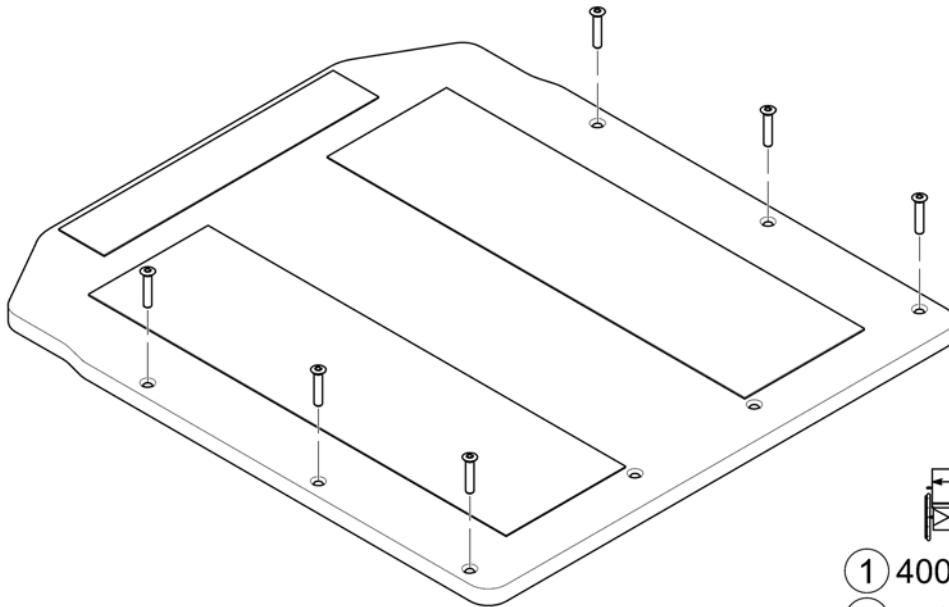
Seat Board => 31.07.14



| Pos. | Part number | Description | Valid from → until | Qty |
|------|-------------|-----------------------------------|--------------------|-----|
| 1 | SP1573102 | Seat Board 400mm <i>[0361]</i> | | 1 |
| 2 | SP1573096 | Seat Board 450mm <i>[0345]</i> | | 1 |

Seat Board

1580289 iso

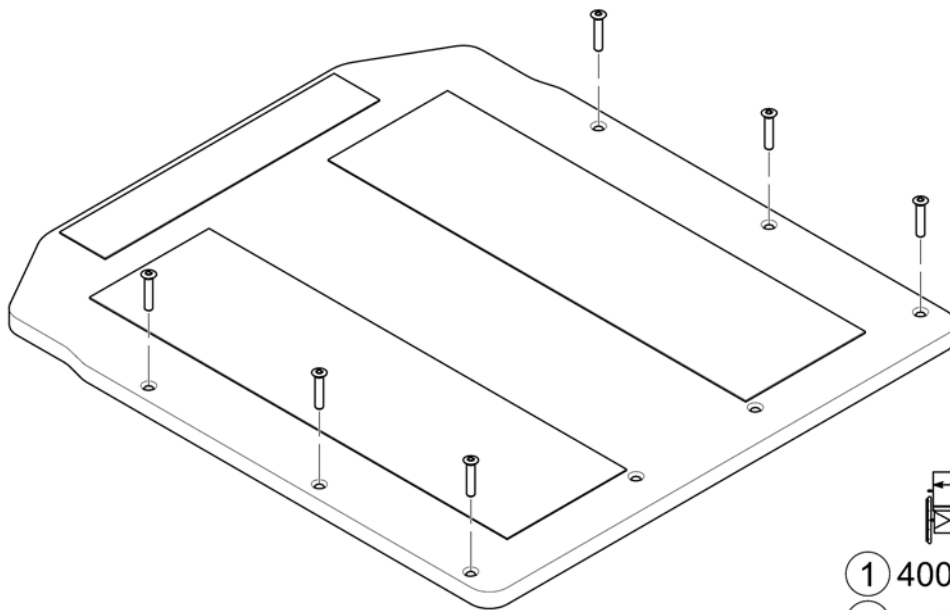


- ① 400 mm
- ② 450 mm
- ③ 500 mm

| Pos. | Part number | Description | Valid from → until | Qty |
|------|-------------|-----------------------------------|--------------------|-----|
| 1 | SP1579895 | Seat Board 400mm <i>[0361]</i> | | 1 |
| 2 | SP1579896 | Seat Board 450mm <i>[0345]</i> | | 1 |
| 3 | SP1579897 | Seat Board 500mm <i>[0350]</i> | | 1 |

Seat Board 01.08.14 =>

1580289 iso

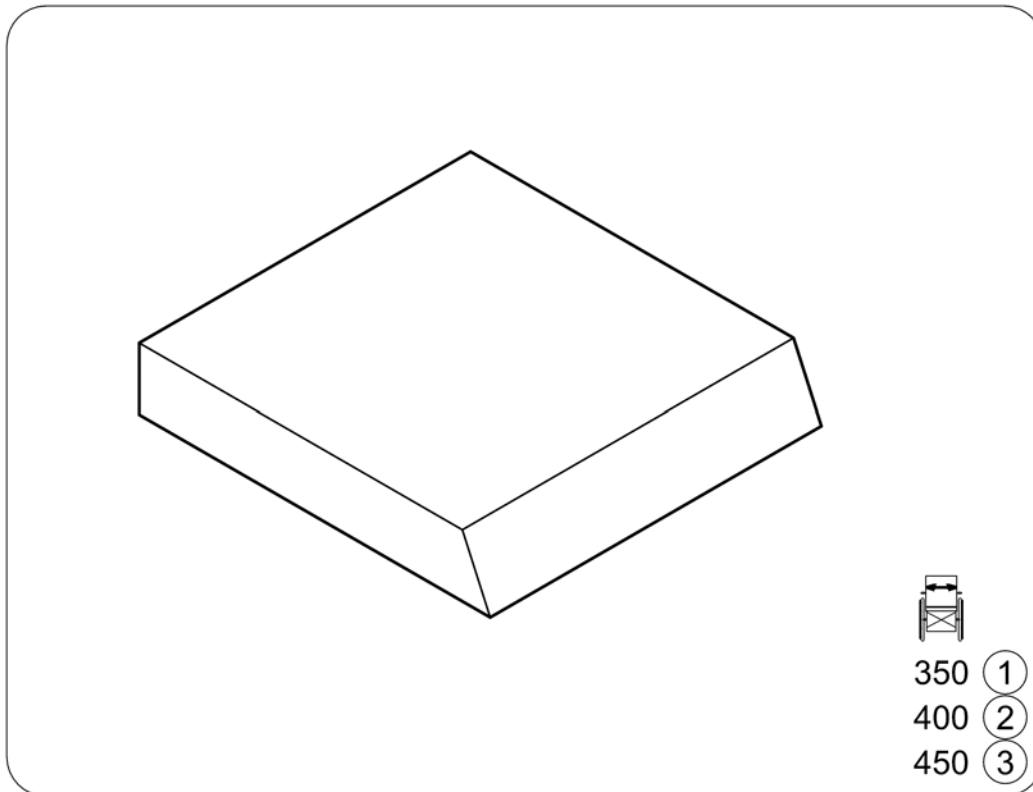


- ① 400 mm
- ② 450 mm
- ③ 500 mm

| Pos. | Part number | Description | Valid from → until | Qty |
|------|-------------|-----------------------------------|--------------------|-----|
| 1 | SP1579895 | Seat Board 400mm <i>[0361]</i> | | 1 |
| 2 | SP1579896 | Seat Board 450mm <i>[0345]</i> | | 1 |
| 3 | SP1579897 | Seat Board 500mm <i>[0350]</i> | | 1 |

Seat Cushion => 31.07.14

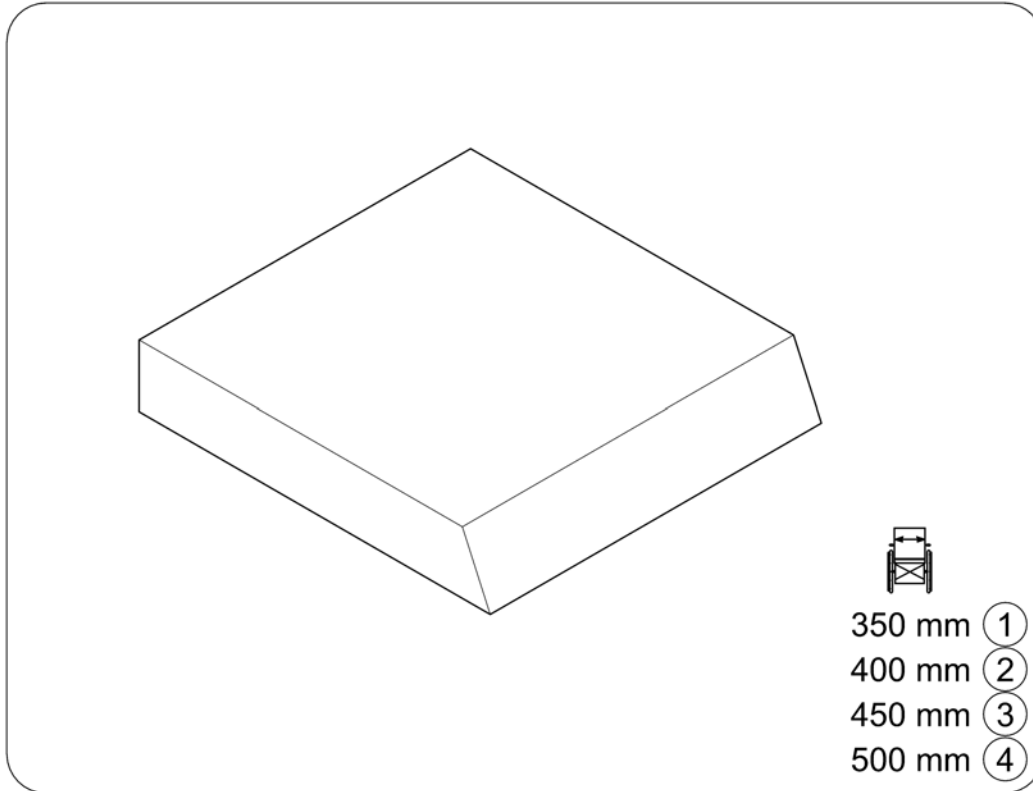
1577094.00



| Pos. | Part number | Description | Valid from → until | Qty |
|------|--------------|---|--------------------|-----|
| 1 | 1433353-0207 | Seat Cushion 350mm Width <i>[0368]</i> | | 1 |
| 2 | 1433354-0207 | Seat Cushion 400mm Width <i>[0361]</i> | | 1 |
| 3 | 1433355-0207 | Seat Cushion 450mm Width <i>[0345]</i> | | 1 |

Seat Cushion

1580290.00

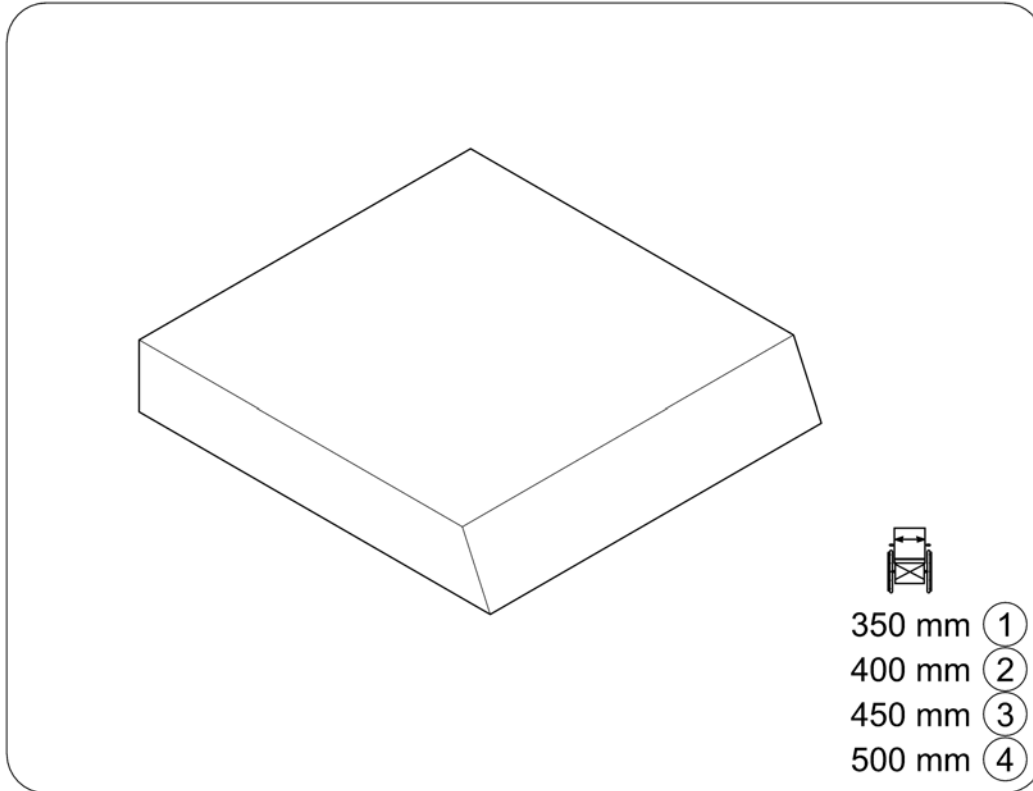


- 350 mm ①
- 400 mm ②
- 450 mm ③
- 500 mm ④

| Pos. | Part number | Description | Valid from → until | Qty |
|------|--------------|---|--------------------|-----|
| 1 | 1433353-0207 | Seat Cushion 350mm Width <i>[0368]</i> | | 1 |
| 2 | 1433354-0207 | Seat Cushion 400mm Width <i>[0361]</i> | | 1 |
| 3 | 1433355-0207 | Seat Cushion 450mm Width <i>[0345]</i> | | 1 |
| 4 | 1433356-0207 | Seat Cushion 500mm Width <i>[0350]</i> | | 1 |

Seat Cushion 01.08.14 =>

1580290.00

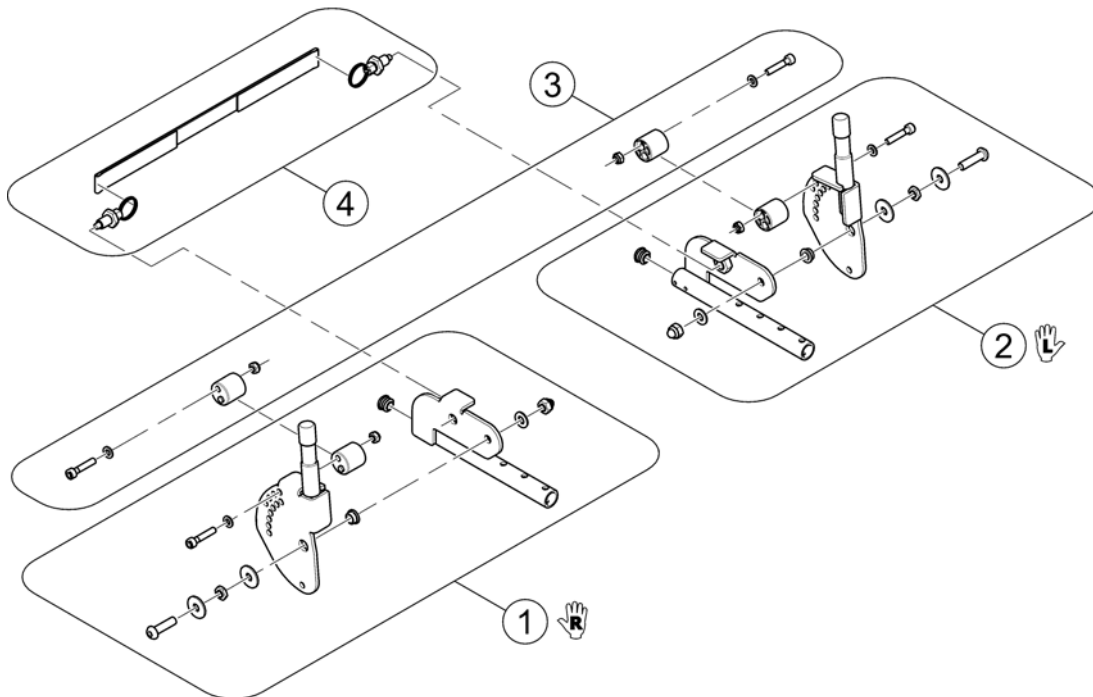


- 350 mm (1)
- 400 mm (2)
- 450 mm (3)
- 500 mm (4)

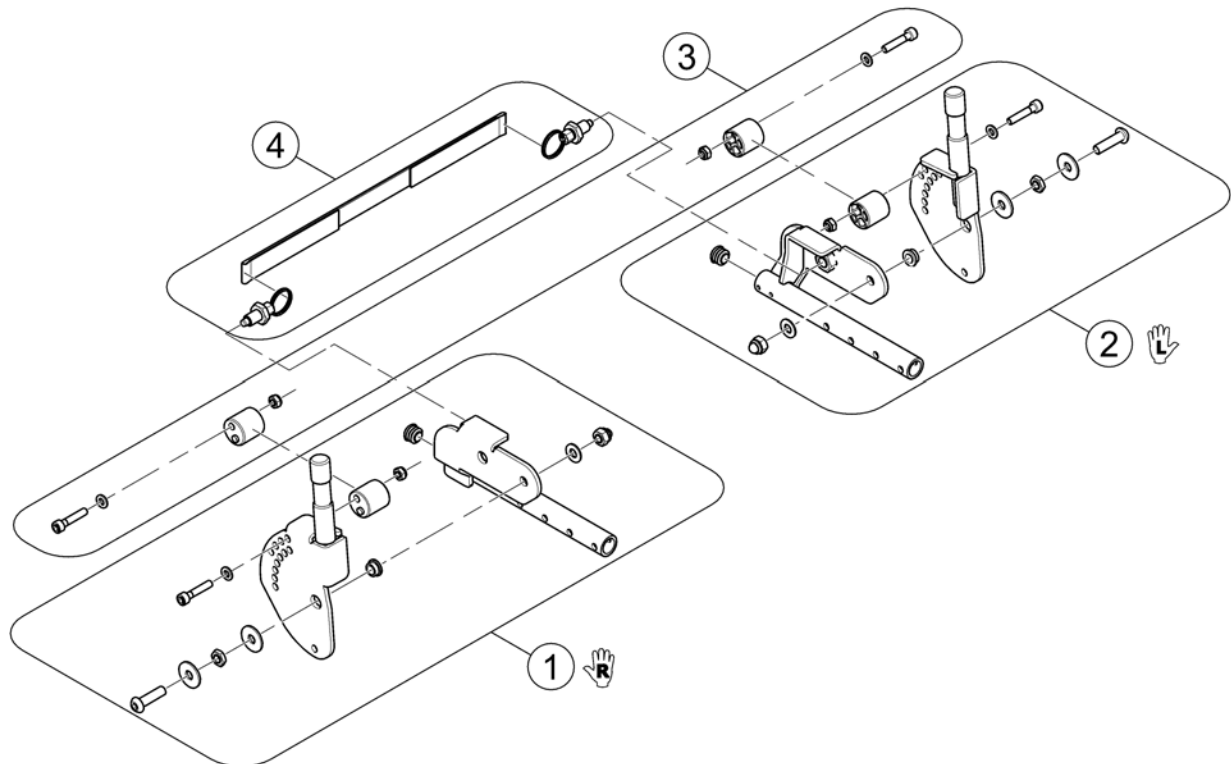
| Pos. | Part number | Description | Valid from → until | Qty |
|------|--------------|---|--------------------|-----|
| 1 | 1433353-0207 | Seat Cushion 350mm Width <i>[0368]</i> | | 1 |
| 2 | 1433354-0207 | Seat Cushion 400mm Width <i>[0361]</i> | | 1 |
| 3 | 1433355-0207 | Seat Cushion 450mm Width <i>[0345]</i> | | 1 |
| 4 | 1433356-0207 | Seat Cushion 500mm Width <i>[0350]</i> | | 1 |

Backrest Support/Recliner => 31.07.14

1577867.iso



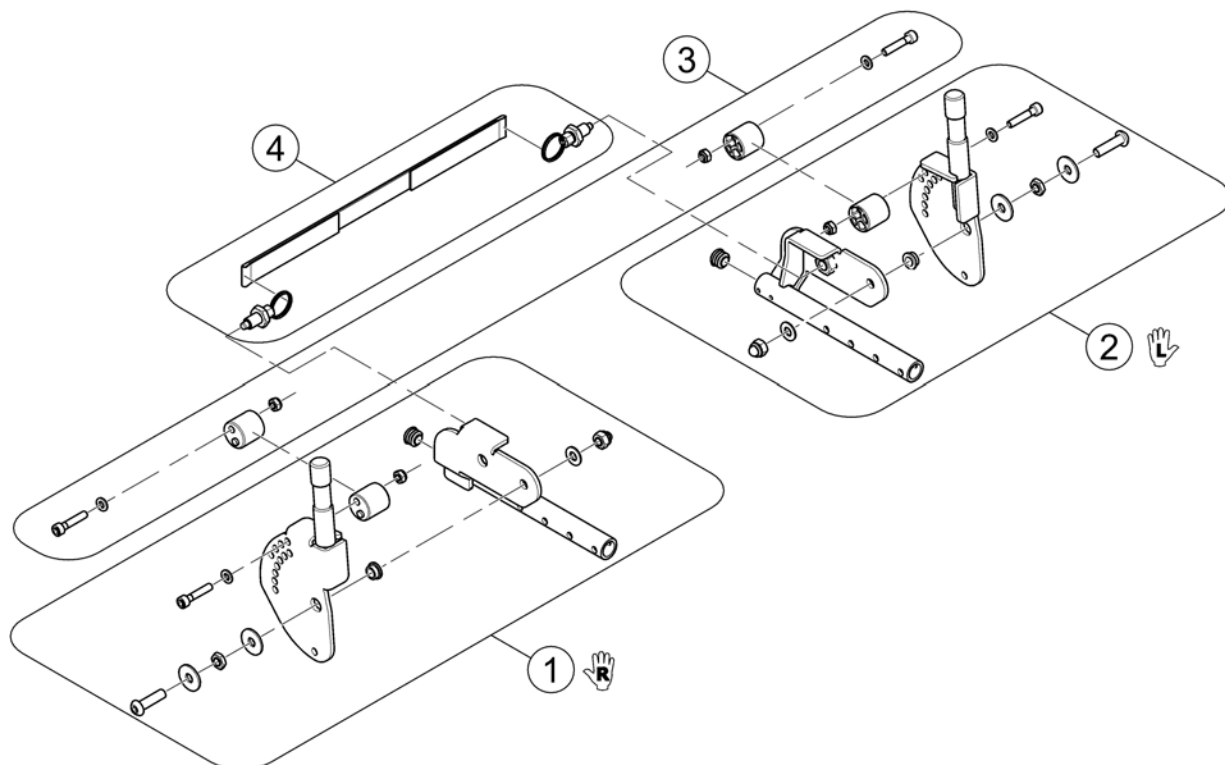
| Pos. | Part number | Description | Valid from → until | Qty |
|------|-------------|---------------------|--------------------|-----|
| 1 | SP1578052 | Backrest Support RH | | 1 |
| 2 | SP1578110 | Backrest Support LH | | 1 |
| 3 | SP1577084 | Backrest Stopper | | 1 |
| 4 | SP1578112 | Pull Strap Backrest | | 1 |



| Pos. | Part number | Description | Valid from → until | Qty |
|------|-------------|---------------------|--------------------|-----|
| 1 | SP1580386 | Backrest Support RH | | 1 |
| 2 | SP1580385 | Backrest Support LH | | 1 |
| 3 | SP1577084 | Backrest Stopper | | 1 |
| 4 | SP1578112 | Pull Strap Backrest | | 1 |

Backrest Support/Recliner 01.08.14 =>

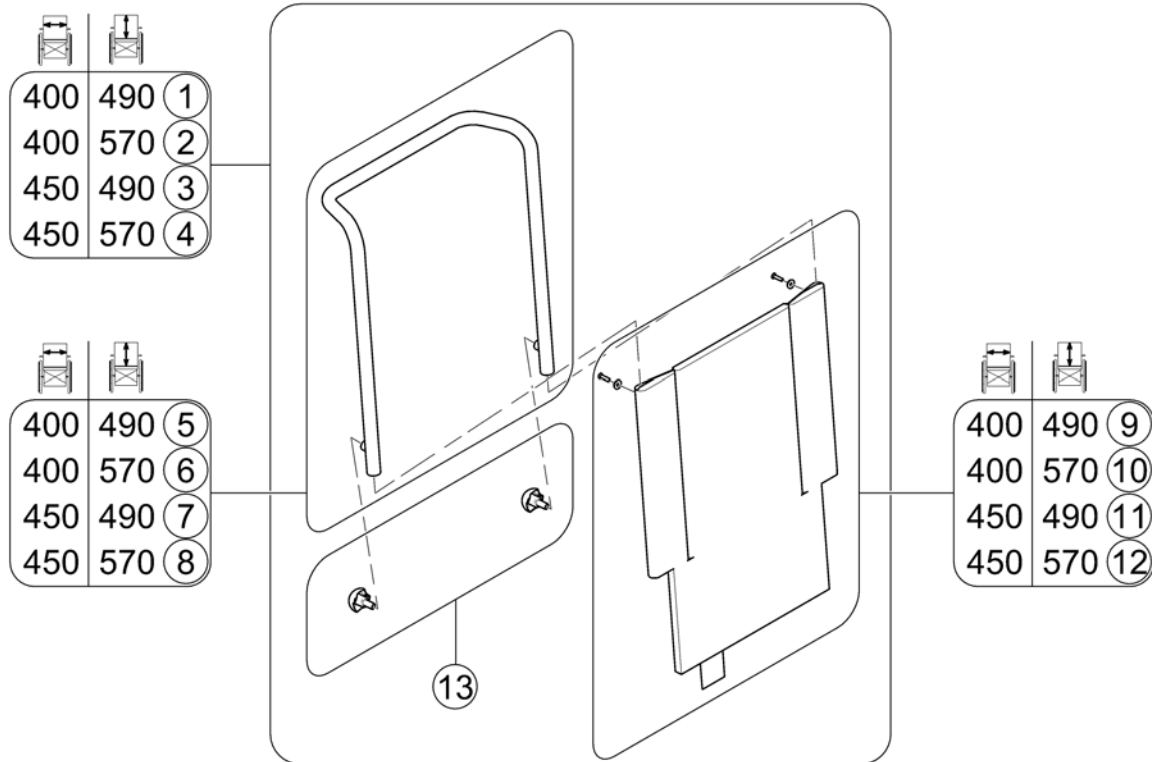
1580291.iss



| Pos. | Part number | Description | Valid from → until | Qty |
|------|-------------|---------------------|--------------------|-----|
| 1 | SP1580386 | Backrest Support RH | | 1 |
| 2 | SP1580385 | Backrest Support LH | | 1 |
| 3 | SP1577084 | Backrest Stopper | | 1 |
| 4 | SP1578112 | Pull Strap Backrest | | 1 |

Backrest - Sling Upholstery

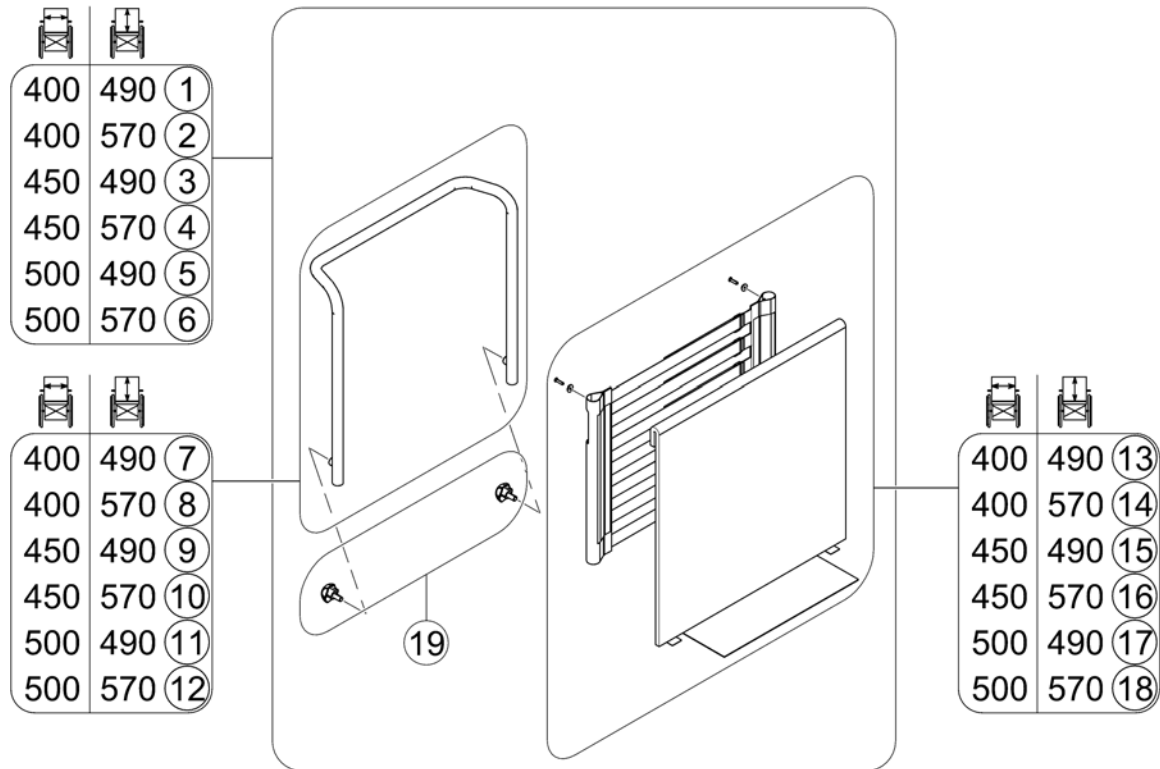
1577898 iso



| Pos. | Part number | Description | Valid from → until | Qty |
|------|-------------|---|--------------------|-----|
| 1 | SP1571081 | Backrest cpl. Sling Upholstery - SW400mm BH490mm <i>[0361][0449]</i> | | 1 |
| 2 | SP1571111 | Backrest cpl. Sling Upholstery - SW400mm BH570mm <i>[0361][0457]</i> | | 1 |
| 3 | SP1571082 | Backrest cpl. Sling Upholstery - SW450mm BH490mm <i>[0345][0449]</i> | | 1 |
| 4 | SP1571110 | Backrest cpl. Sling Upholstery - SW450mm BH570mm <i>[0345][0457]</i> | | 1 |
| 5 | SP1567143 | Backrest Frame - SW400mm BH490mm <i>[0361][0449]</i> | | 1 |
| 6 | SP1571113 | Backrest Frame - SW400mm BH570mm <i>[0361][0457]</i> | | 1 |
| 7 | SP1566912 | Backrest Frame - SW450mm BH490mm <i>[0345][0449]</i> | | 1 |
| 8 | SP1571112 | Backrest Frame - SW450mm BH570mm <i>[0345][0457]</i> | | 1 |
| 9 | SP1578164 | Sling Upholstery - SW400mm BH490mm <i>[0361][0449]</i> | | 1 |
| 10 | SP1578165 | Sling Upholstery - SW400mm BH570mm <i>[0361][0457]</i> | | 1 |
| 11 | SP1578166 | Sling Upholstery - SW450mm BH490mm <i>[0345][0449]</i> | | 1 |
| 12 | SP1578167 | Sling Upholstery - SW450mm BH570mm <i>[0345][0457]</i> | | 1 |
| 13 | SP1578113 | Handles M10x20 | | 1 |

Backrest - Tension adjustable

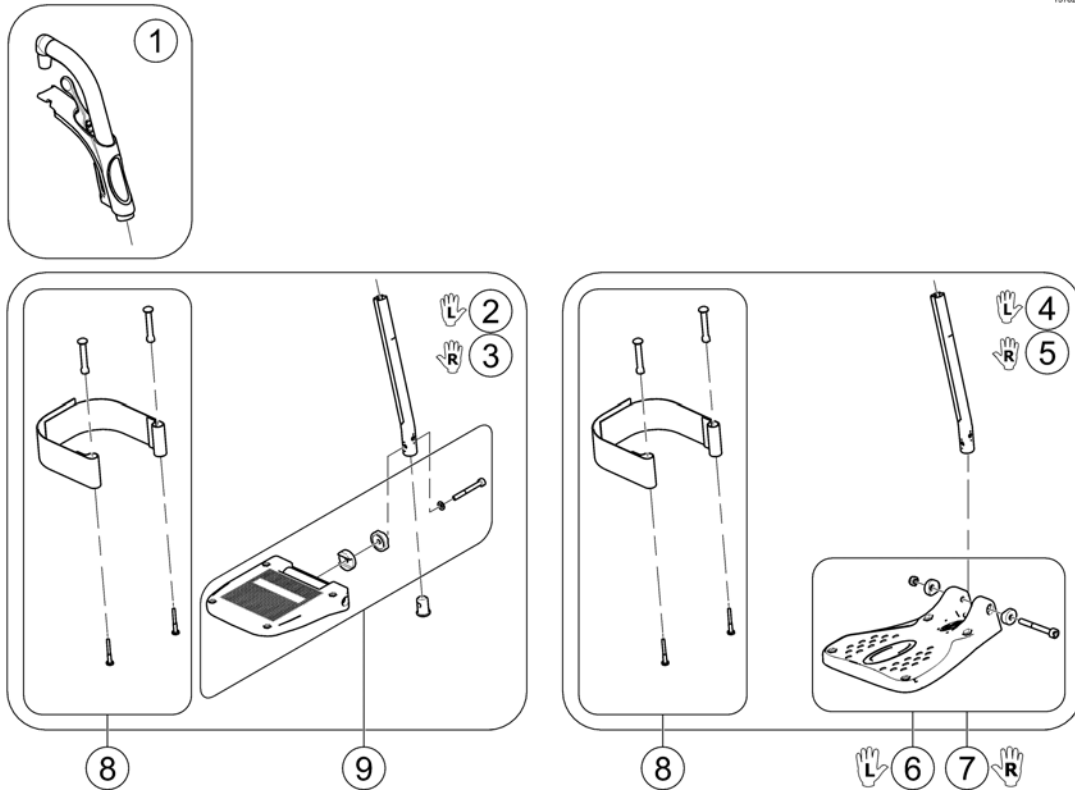
1580292.00



| Pos. | Part number | Description | Valid from → until | Qty |
|------|-------------|---|--------------------|-----|
| 1 | SP1581070 | Backrest cpl. Tension adjustable - SW400mm BH490mm | 2014-08-01 → | 1 |
| 2 | SP1581071 | Backrest cpl. Tension adjustable - SW400mm BH570mm | 2014-08-01 → | 1 |
| 3 | SP1581072 | Backrest cpl. Tension adjustable - SW450mm BH490mm | 2014-08-01 → | 1 |
| 4 | SP1581073 | Backrest cpl. Tension adjustable - SW450mm BH570mm | 2014-08-01 → | 1 |
| 5 | SP1577340 | Backrest cpl. Tension adjustable - SW500mm BH490mm <i>[0350][0449]</i> | | 1 |
| 6 | SP1577342 | Backrest cpl. Tension adjustable - SW500mm BH570mm <i>[0350][0457]</i> | | 1 |
| 7 | SP1567143 | Backrest Frame - SW400mm BH490mm | 2014-08-01 → | 1 |
| 8 | SP1571113 | Backrest Frame - SW400mm BH570mm | 2014-08-01 → | 1 |
| 9 | SP1566912 | Backrest Frame - SW450mm BH490mm | 2014-08-01 → | 1 |
| 10 | SP1571112 | Backrest Frame - SW450mm BH570mm | 2014-08-01 → | 1 |
| 11 | SP1577339 | Backrest Frame - SW500mm BH490mm <i>[0350][0449]</i> | | 1 |
| 12 | SP1577341 | Backrest Frame - SW500mm BH570mm <i>[0350][0457]</i> | | 1 |
| 13 | SP1583784 | Sling, Tension adjustable - SW400mm BH490mm | 2014-08-01 → | 1 |
| 14 | SP1583805 | Sling, Tension adjustable - SW400mm BH570mm | 2014-08-01 → | 1 |
| 15 | SP1583807 | Sling, Tension adjustable - SW450mm BH490mm | 2014-08-01 → | 1 |
| 16 | SP1583806 | Sling, Tension adjustable - SW450mm BH570mm | 2014-08-01 → | 1 |
| 17 | SP1580387 | Sling, Tension adjustable - SW500mm BH490mm <i>[0350][0449]</i> | | 1 |
| 18 | SP1580388 | Sling, Tension adjustable - SW500mm BH570mm <i>[0350][0457]</i> | | 1 |
| 19 | SP1578113 | Handles M10x20 | | 1 |

Hangers Standard 80° (Aluminium) with Footplates

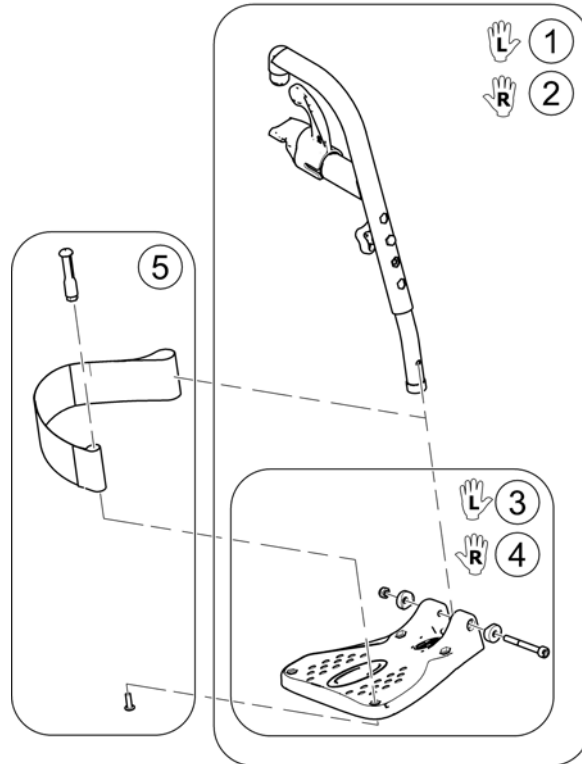
1578232.00



| Pos. | Part number | Description | Valid from → until | Qty |
|------|-------------|--|--------------------|-----|
| 1 | SP1493055 | Hanger 80°, Fixed | | 1 |
| 2 | SP1531741 | Footplate LH angle and depth adjustable with Support Tube [0511/0513] | | 1 |
| 3 | SP1531742 | Footplate RH angle and depth adjustable with Support Tube [0508/0513] | | 1 |
| 4 | SP1537943 | Footplate LH fixed angle with Support Tube, cpl.38-40,5cm [0505/0512] | | 1 |
| 5 | SP1537941 | Footplate RH fixed angle with Support Tube, cpl.38-40,5cm [0502/0512] | | 1 |
| 6 | SP1529643 | Footplate LH | | 1 |
| 7 | SP1529642 | Footplate RH | | 1 |
| 8 | SP1442467 | Heel Strap cpl. | | 1 |
| 9 | 1483819 | Footplate | | 1 |

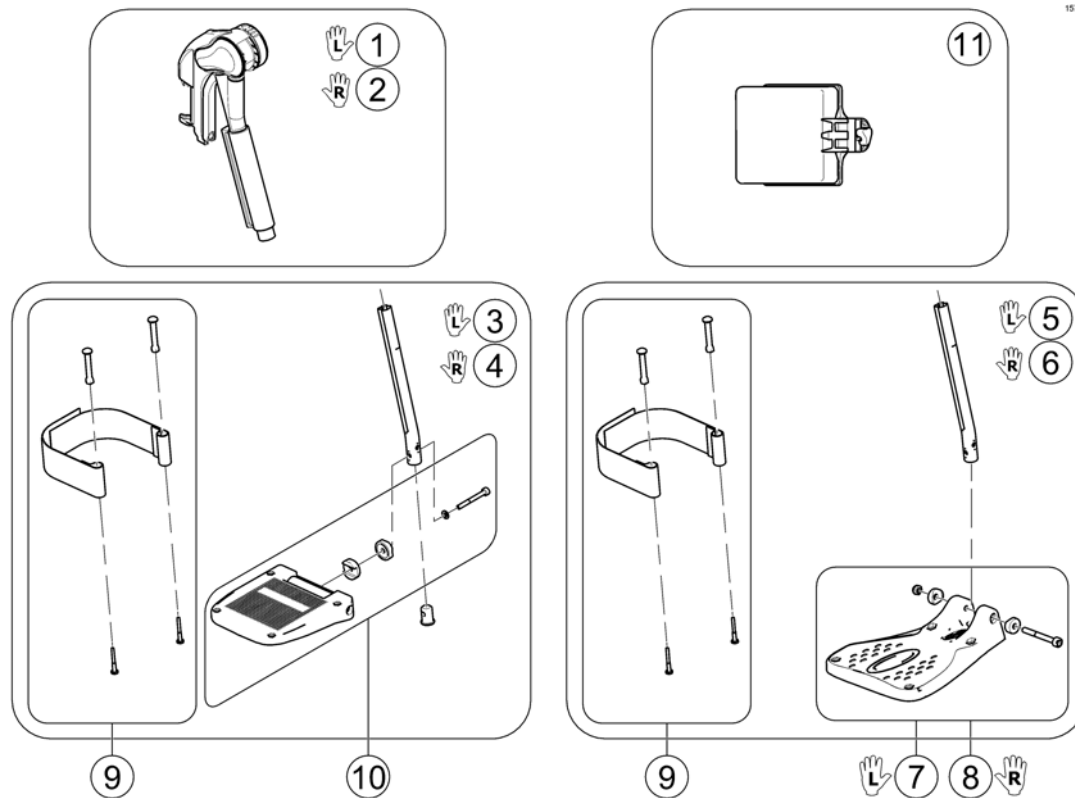
Hangers 80° swing in/swing out (steel) with Footplates

1578231.00



| Pos. | Part number | Description | Valid from → until | Qty |
|------|-------------|-----------------------|--------------------|-----|
| 1 | SP1567420 | Hanger 80° LH (steel) | | 1 |
| 2 | SP1567421 | Hanger 90° RH (steel) | | 1 |
| 3 | SP1529643 | Footplate LH | | 1 |
| 4 | SP1529642 | Footplate RH | | 1 |
| 5 | SP1577854 | Heel Strap Kit | | 1 |

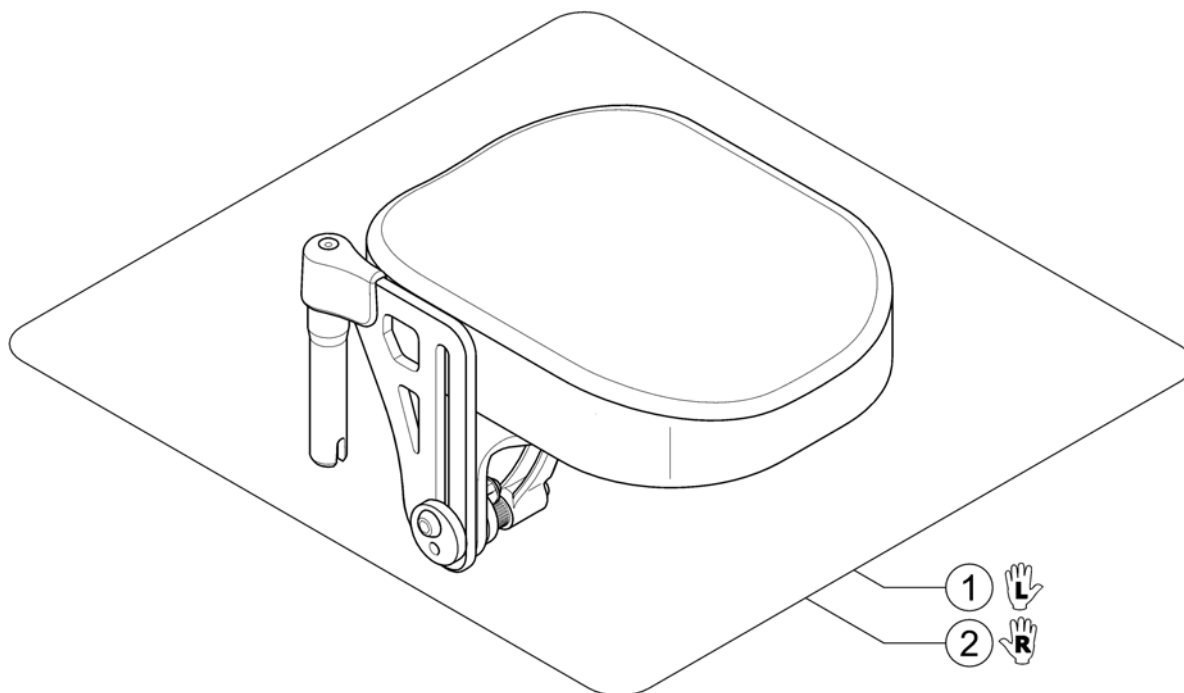
Legrest Manual Elevating with Footplates



| Pos. | Part number | Description | Valid from → until | Qty |
|------|-------------|---|--------------------|-----|
| 1 | 1508945 | Lh elevating legrest | | 1 |
| 2 | 1508948 | Rh elevating legrest | | 1 |
| 3 | SP1531741 | Footplate LH angle and depth adjustable with Support Tube <i>[0511/0513]</i> | | 1 |
| 4 | SP1531742 | Footplate RH angle and depth adjustable with Support Tube <i>[0508/0513]</i> | | 1 |
| 5 | SP1537943 | Footplate LH fixed angle with Support Tube, cpl.38-40,5cm <i>[0505/0512]</i> | | 1 |
| 6 | SP1537941 | Footplate RH fixed angle with Support Tube, cpl.38-40,5cm <i>[0502/0512]</i> | | 1 |
| 7 | SP1529643 | Footplate LH | | 1 |
| 8 | SP1529642 | Footplate RH | | 1 |
| 9 | SP1442467 | Heel Strap cpl. | | 1 |
| 10 | 1483819 | Footplate | | 1 |
| 11 | 1518531 | Calfpad 16 Zoll, cpl. | | 1 |

Amputee Support

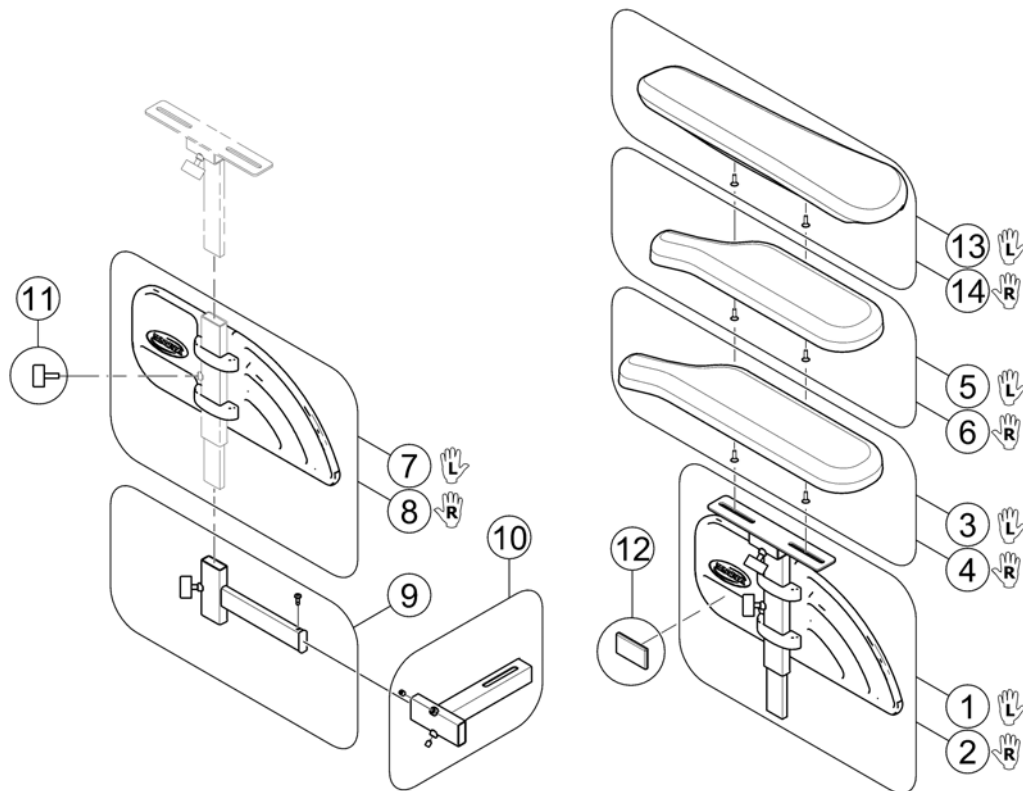
1578234.iso



| Pos. | Part number | Description | Valid from → until | Qty |
|------|-------------|------------------------------|--------------------|-----|
| 1 | 1442991 | Lh Amputee Legrest [0555] | | 1 |
| 2 | 1442990 | Rh Amputee Legrest [0554] | | 1 |

T-Armrest

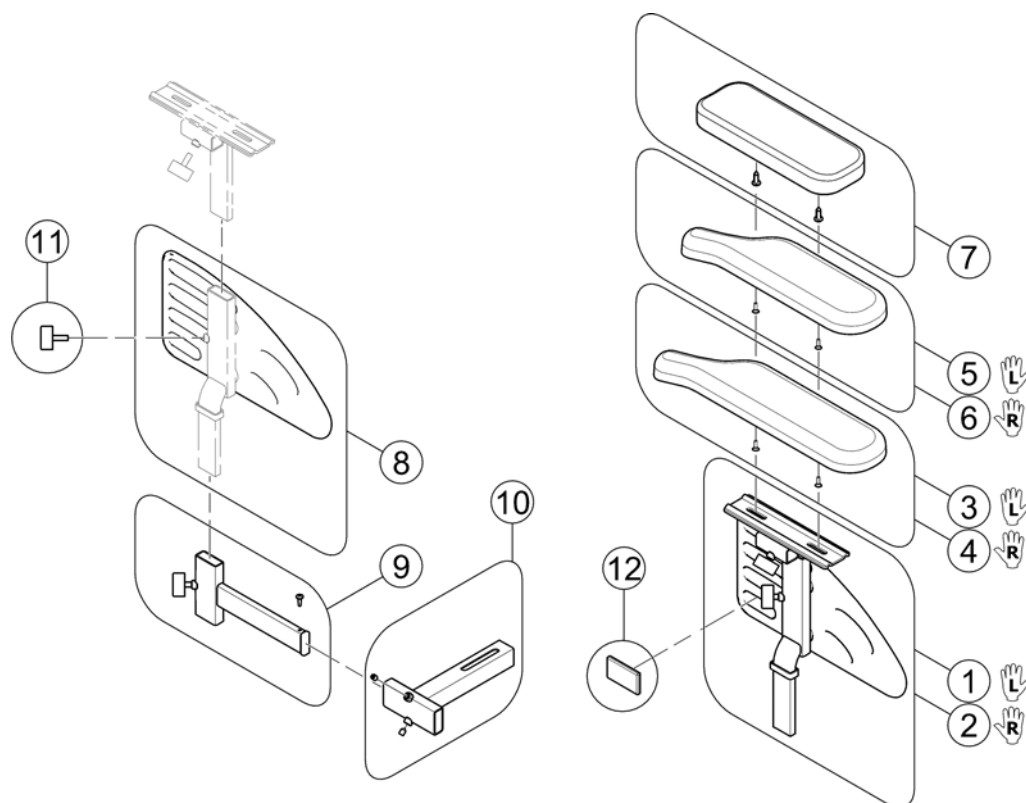
1580384.iso



| Pos. | Part number | Description | Valid from → until | Qty |
|------|-------------|--|--------------------|-----|
| 1 | SP1578114 | Siderest LH (for Ergonomic Armpad) | | 1 |
| 2 | SP1578115 | Siderest RH (for Ergonomic Armpad) | | 1 |
| 3 | SP1528846 | Armpad, Extended (375mm), LH [0649] | | 1 |
| 4 | SP1528845 | Armpad, Extended (375mm), RH [0649] | | 1 |
| 5 | SP1443004 | Armpad, Standard (325mm), LH [0647] | | 1 |
| 6 | SP1449043 | Armpad, Standard (325mm), RH [0647] | | 1 |
| 7 | SP1572940 | Skirt Guard LH | | 1 |
| 8 | SP1572948 | Skirt Guard RH | | 1 |
| 9 | SP1570317 | Depth adjustment for siderest LH/RH | | 1 |
| 10 | SP1570316 | Insert for siderest LH/RH | | 1 |
| 11 | L10024 | Wing knobs M6x16 | | 1 |
| 12 | SPP31298 | Reflector, yellow | | 1 |
| 13 | SP1571589 | Armpad, Ergonomic, LH [0650] | | 1 |
| 14 | SP1571588 | Armpad, Ergonomic, RH [0650] | | 1 |

Inrigged Armrest

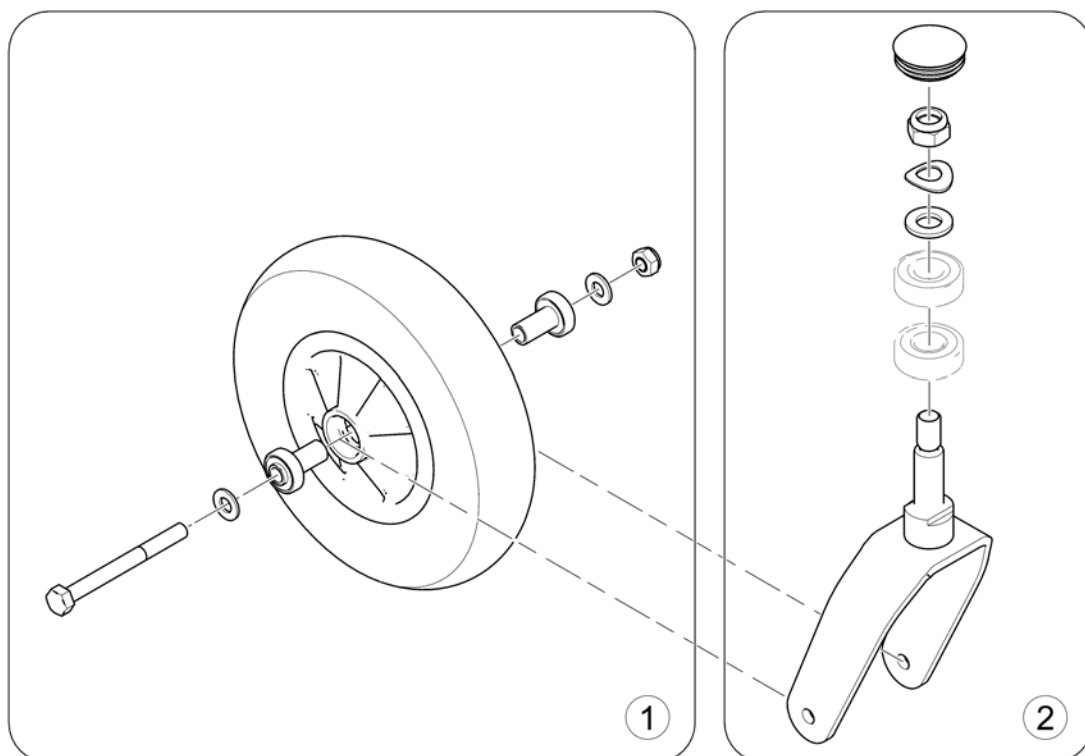
1577925.00



| Pos. | Part number | Description | Valid from → until | Qty |
|------|-------------|-------------------------------------|--------------------|-----|
| 1 | SP1578116 | Inrigged Armrest LH | | 1 |
| 2 | SP1578117 | Inrigged Armrest RH | | 1 |
| 3 | SP1528846 | Armpad, Extended (375mm), LH | | 1 |
| 4 | SP1528845 | Armpad, Extended (375mm), RH | | 1 |
| 5 | SP1443004 | Armpad, Standard (325mm), LH | | 1 |
| 6 | SP1449043 | Armpad, Standard (325mm), RH | | 1 |
| 7 | SP1578118 | Armpad, short (200mm) LH/RH | | 1 |
| 8 | SP1578119 | Skirt Guard LH/RH | | 1 |
| 9 | SP1570317 | Depth adjustment for siderest LH/RH | | 1 |
| 10 | SP1570316 | Insert for siderest LH/RH | | 1 |
| 11 | L10024 | Wing knobs M6x16 | | 1 |
| 12 | SPP31298 | Reflector, yellow | | 1 |

Castor (black rim) with Fork

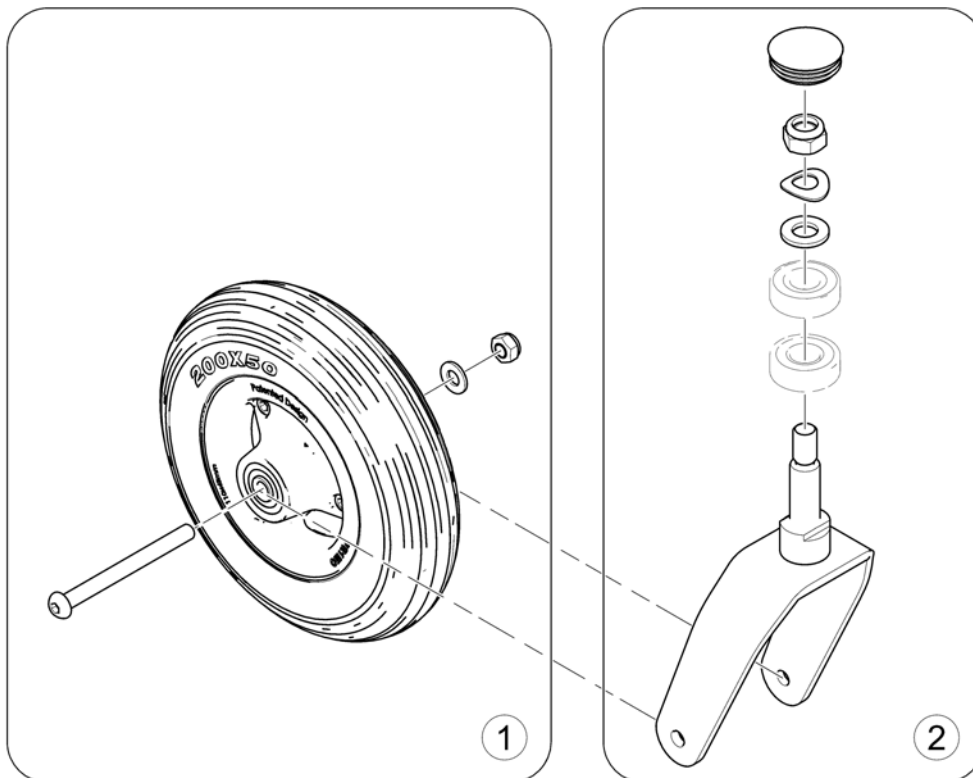
1578238 iso



| Pos. | Part number | Description | Valid from → until | Qty |
|------|-------------|-------------------------------|--------------------|-----|
| 1 | SP1578146 | Castor 200x50mm PU, black rim | | 1 |
| 2 | SP1578170 | Fork narrow, cpl. | | 1 |

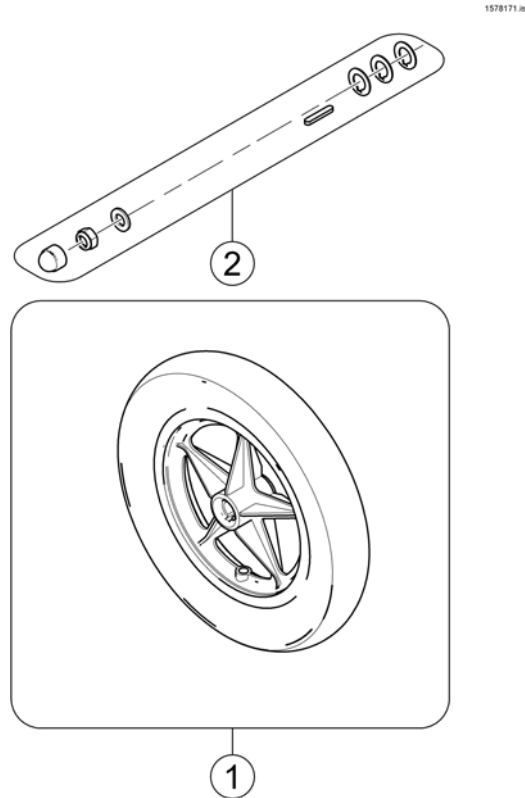
Castor (silver rim) with Fork

1577949.iso



| Pos. | Part number | Description | Valid from → until | Qty |
|------|-------------|--|--------------------|-----|
| 1 | SP1578172 | Castor 200x50mm, silver rim, solid inlay | | 1 |
| 2 | SP1578173 | Fork wide, cpl. | | 1 |

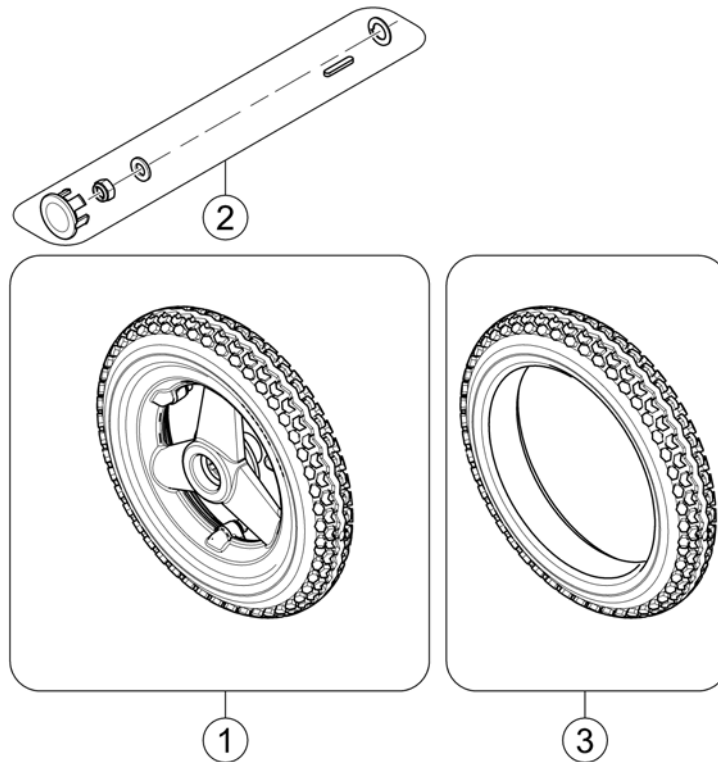
Drive Wheel (black rim, plastic)



| Pos. | Part number | Description | Valid from → until | Qty |
|------|-------------|--|--------------------|-----|
| 1 | SP1582006 | Wheel 12.5" x 2.25", puncture proof, black plastic rim | → 2014-11-16 | 1 |
| 1 | SP1073935 | Wheel 12.5" x 2.25", puncture proof, black plastic rim | 2014-11-17 → | 1 |
| 2 | SP1578175 | Rear Wheel Mounting Hardware | | 1 |

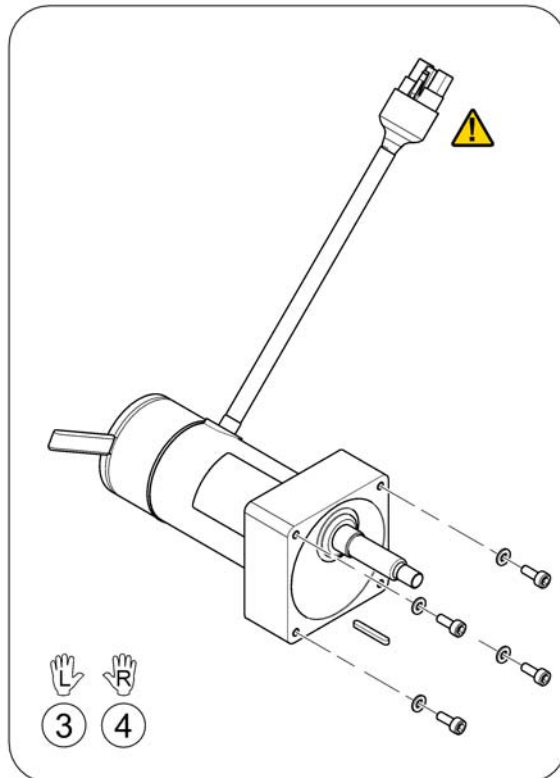
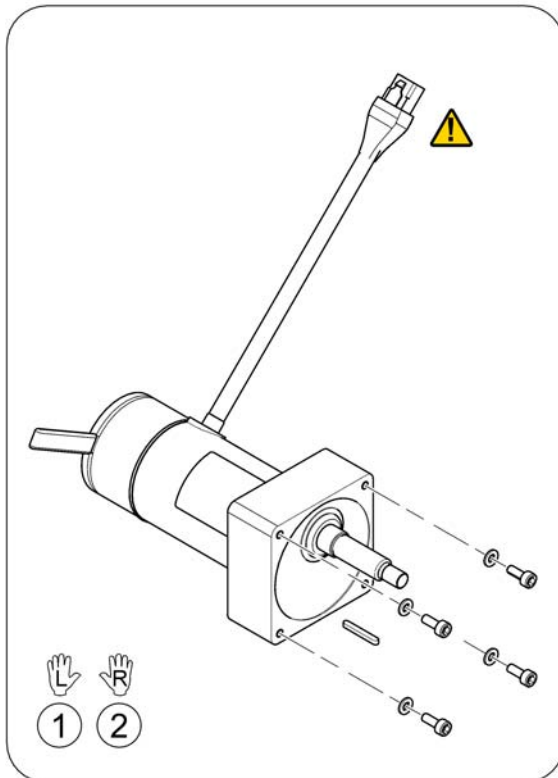
Drive Wheel (silver rim, aluminium)

1577950.iso



| Pos. | Part number | Description | Valid from → until | Qty |
|------|-------------|--|--------------------|-----|
| 1 | SP1576191 | Rear Wheel 12.5" x 2.25", puncture proof, Aluminium Rim silver | | 1 |
| 2 | SP1578174 | Rear Wheel Mounting Hardware | | 1 |
| 3 | 23009262 | Tire 12.5" x 2.25" Puncture Proof | | 1 |

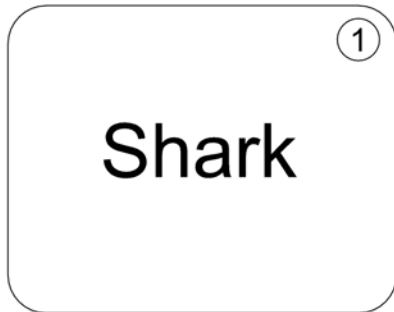
1573952.00



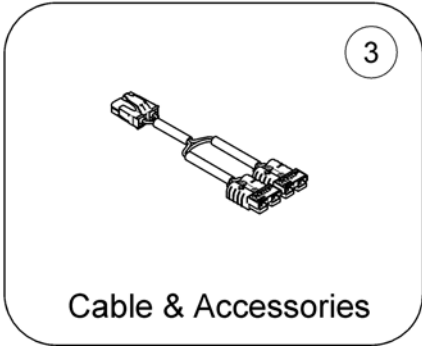
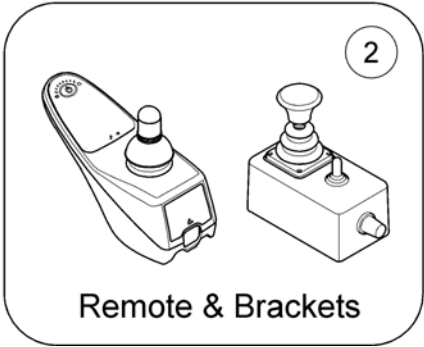
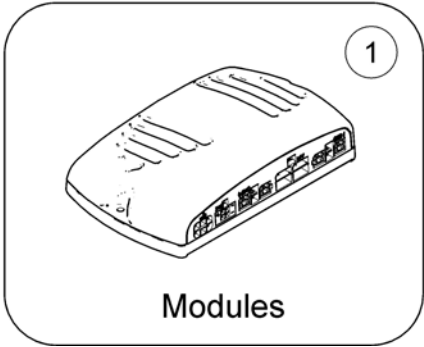
| Pos. | Part number | Description | Valid from → until | Qty |
|------|-------------|---------------------------|--------------------|-----|
| 1 | SP1574377 | Motor cpl. 6km/h LH Shark | | 1 |
| 2 | SP1574378 | Motor cpl. 6km/h RH Shark | | 1 |
| 3 | SP1574379 | Motor cpl. 6km/h LH VR2 | | 1 |
| 4 | SP1574380 | Motor cpl. 6km/h RH VR2 | | 1 |

Electronic

SPCFOX10.kso



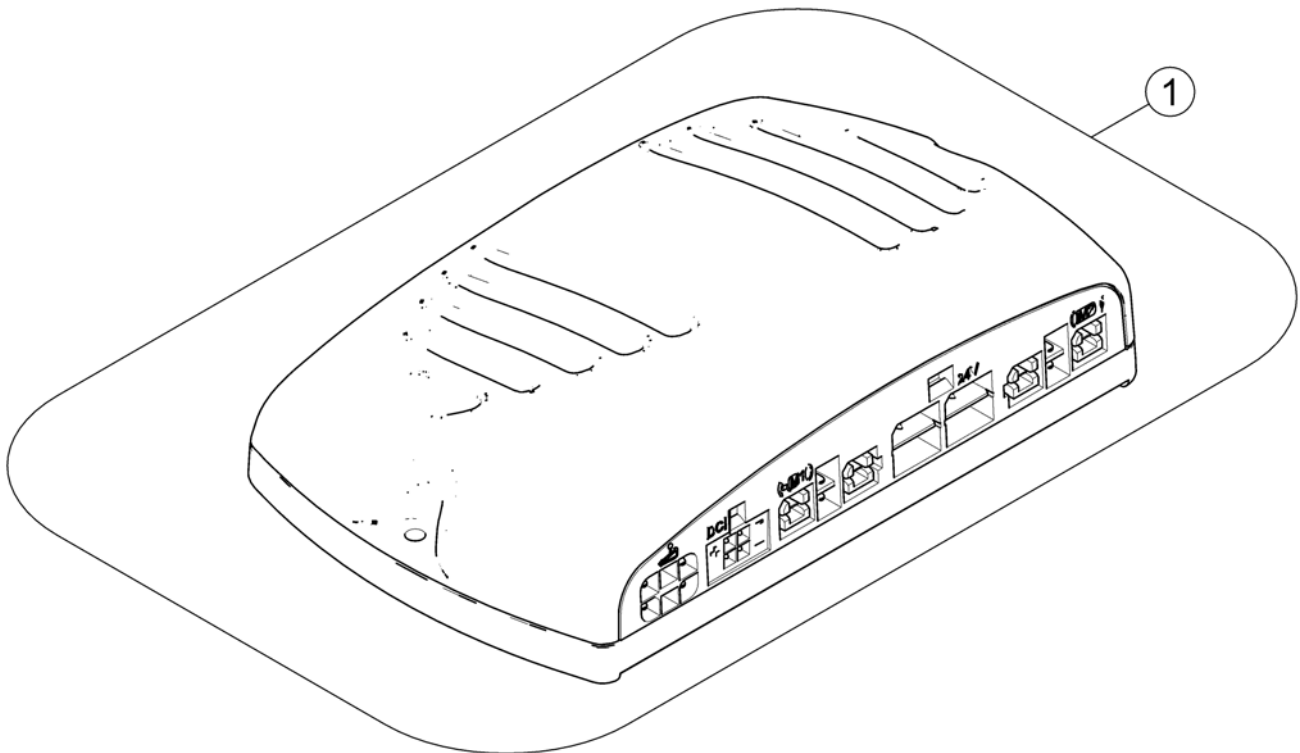
| Pos. | Part number | Description | Valid from → until | Qty |
|------|-------------|------------------|--------------------|-----|
| 1 | - | Shark Electronic | | 1 |
| 2 | - | VR2 Electronic | | 1 |



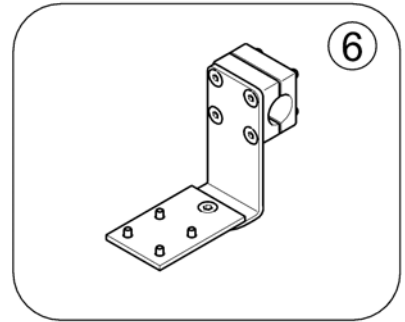
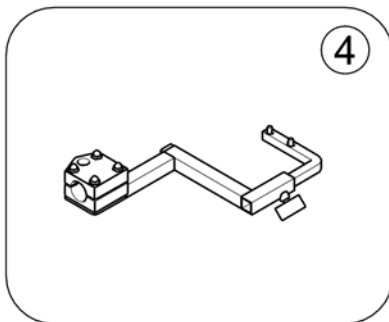
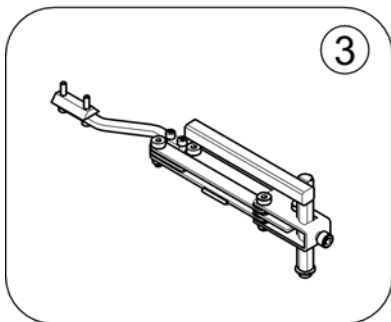
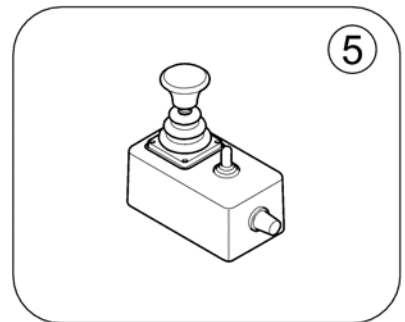
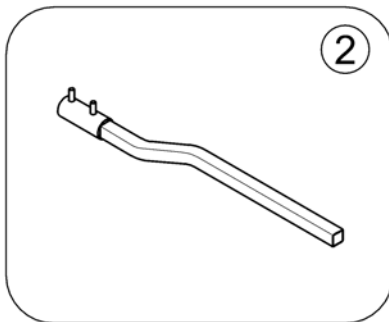
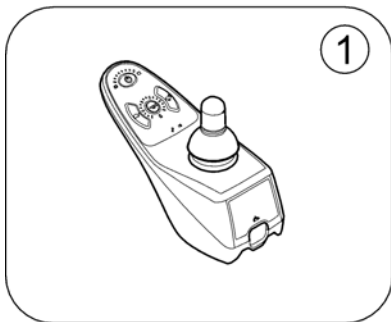
| Pos. | Part number | Description | Valid from → until | Qty |
|------|-------------|---------------------------|--------------------|-----|
| 1 | - | Shark Electronic Modules | | 1 |
| 2 | - | Shark Remote & Brackets | | 1 |
| 3 | - | Shark Cable & Accessories | | 1 |

Shark Electronic Modules

1577972.iso



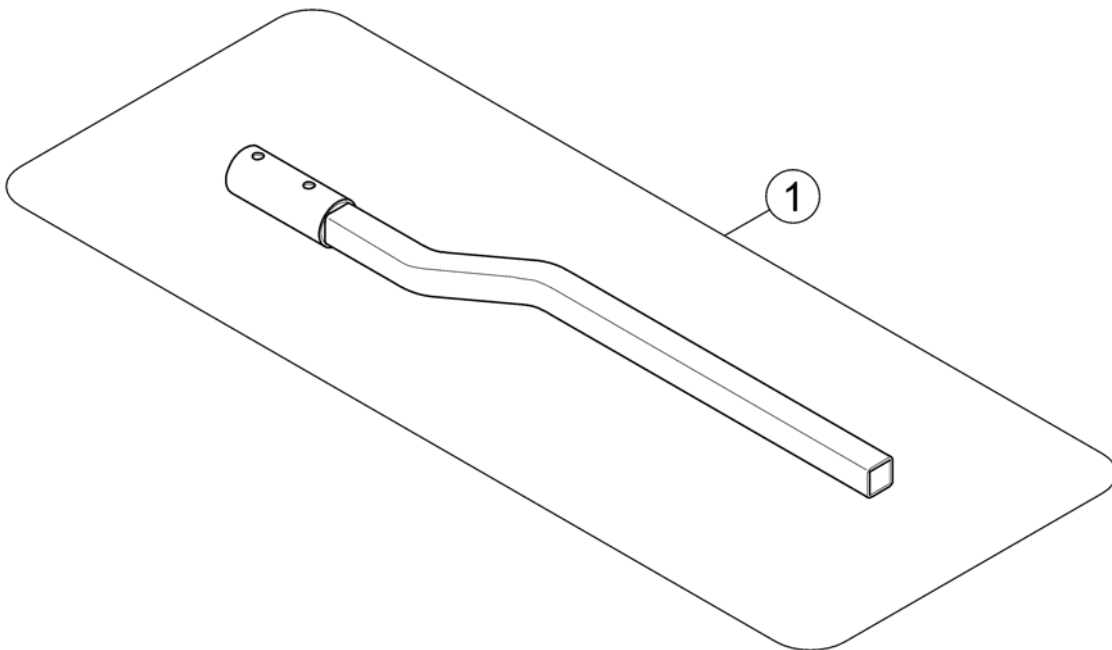
| Pos. | Part number | Description | Valid from → until | Qty |
|------|-------------|---|--------------------|-----|
| 1 | 1433332 | Powermodule, Shark, 75A, drive only, DK-PMB01 | | 1 |



| Pos. | Part number | Description | Valid from → until | Qty |
|------|-------------|---|--------------------|-----|
| 1 | 1492567 | Remote DK-REM D01, Shark2 (Drive only) [1801/1802] | | 1 |
| 2 | - | Remote Bracket Standard [1207/1208] | | 1 |
| 3 | - | Remote Bracket Swing away & height adjust. [1707/1708] | | 1 |
| 4 | - | Remote Bracket Attendant [1208/1209] | | 1 |
| 5 | 1444717 | Shark Dual Control, switchable [1891/1892] | | 1 |
| 6 | - | Remote Bracket Dual Control | | 1 |

Remote Bracket Standard

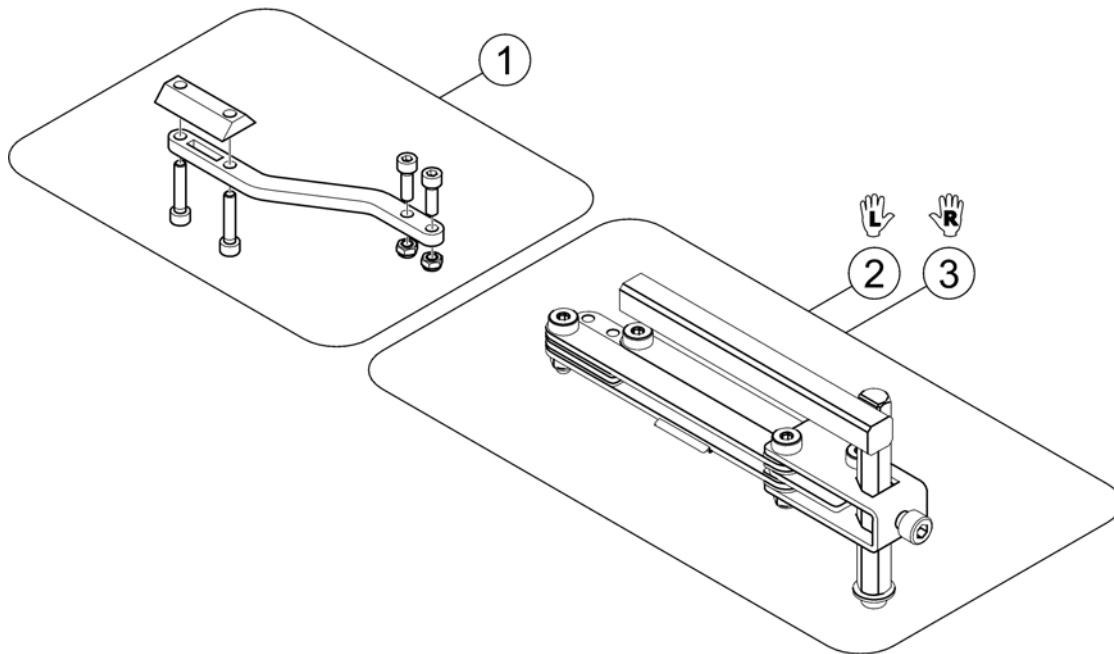
1560594.iso



| Pos. | Part number | Description | Valid from → until | Qty |
|------|--------------|-------------------------|--------------------|-----|
| 1 | 1433384-0216 | Remote Bracket Standard | | 1 |

Remote Bracket Swing away & height adjust.

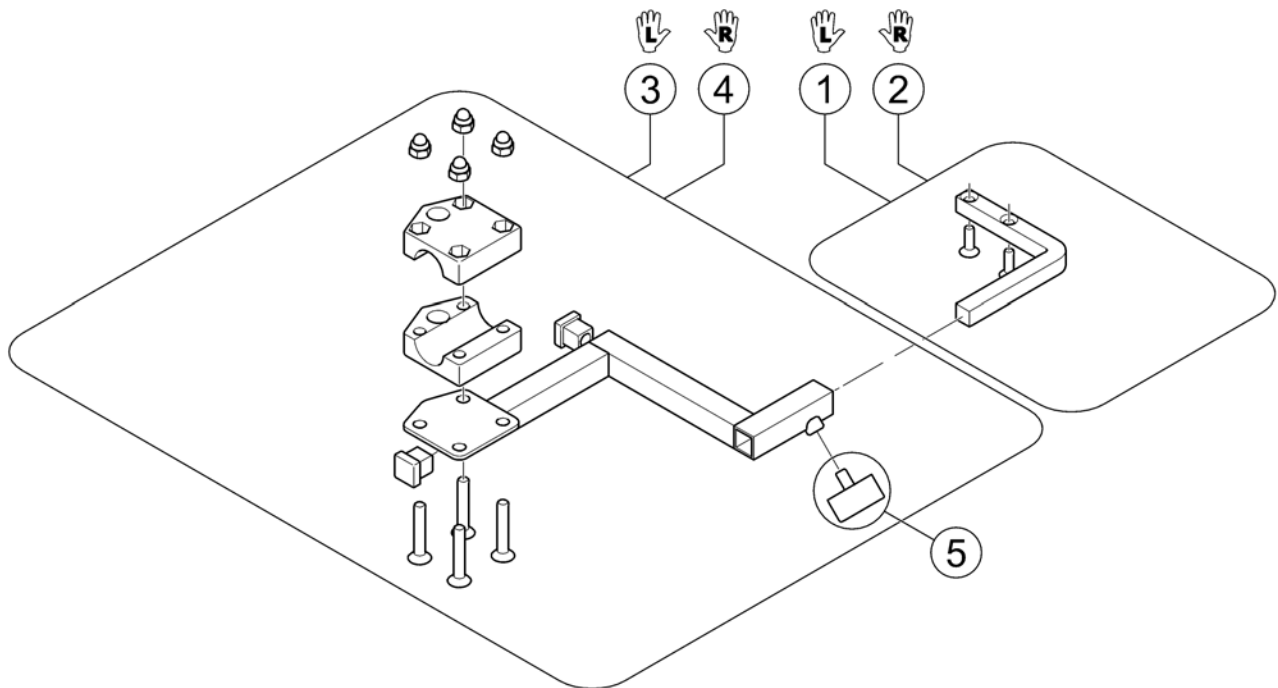
1559857.iso



| Pos. | Part number | Description | Valid from → until | Qty |
|------|-------------|--|--------------------|-----|
| 1 | SP1536180 | Support for Remote Bracket, height adjustable & swing away | | 1 |
| 2 | SP1496249 | Remote bracket, height adjustable & swing away, LH | | 1 |
| 3 | SP1496248 | Remote bracket, height adjustable & swing away, RH | | 1 |

Remote Bracket Attendant

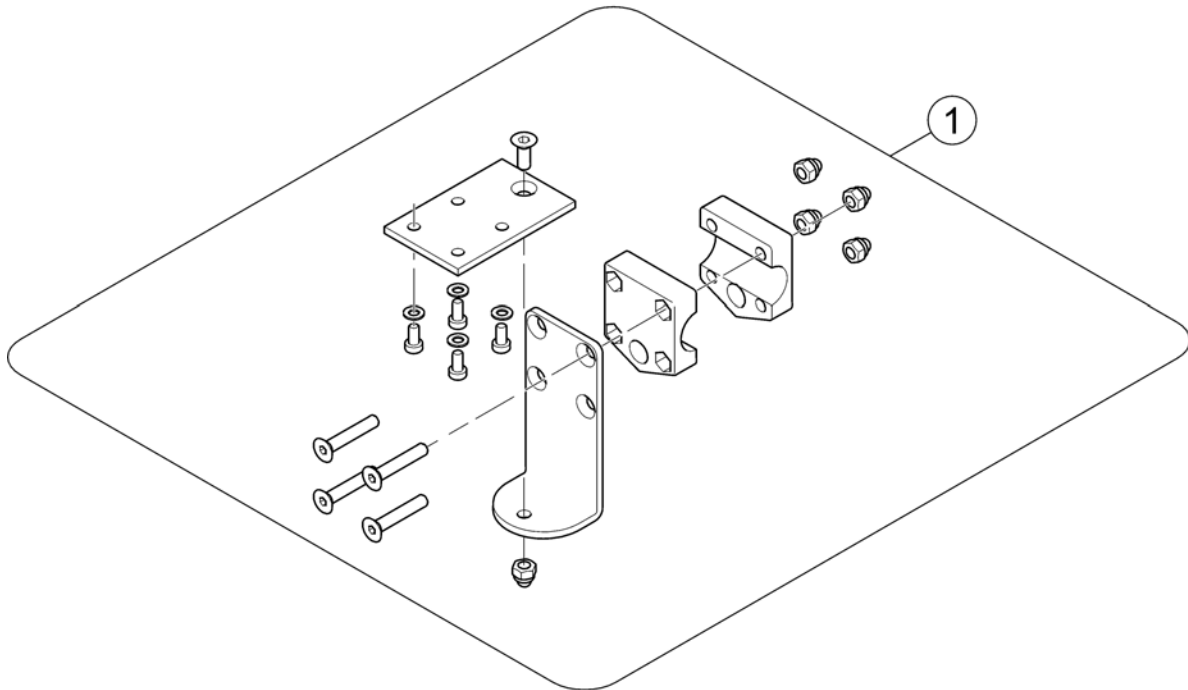
1560837.00



| Pos. | Part number | Description | Valid from → until | Qty |
|------|-------------|----------------------------------|--------------------|-----|
| 1 | 1422806 | Remote Support LH | | 1 |
| 2 | 1422810 | Remote Support RH | | 1 |
| 3 | SP1422937 | Bracket for attendant control LH | | 1 |
| 4 | SP1422936 | Bracket for attendant control RH | | 1 |
| 5 | L31001 | Wing ScREW M6X10 | | 1 |

Remote Bracket Dual Control

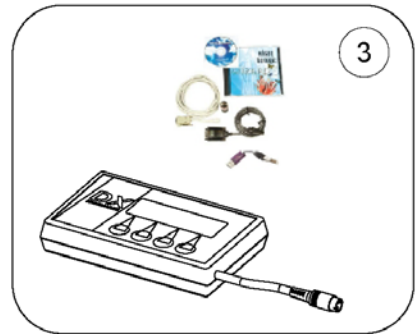
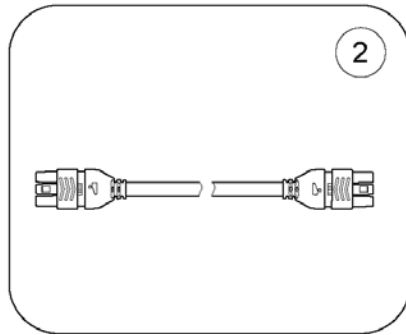
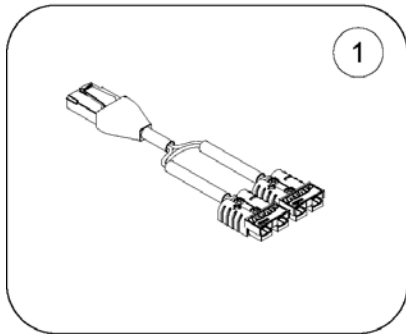
1560883.iso



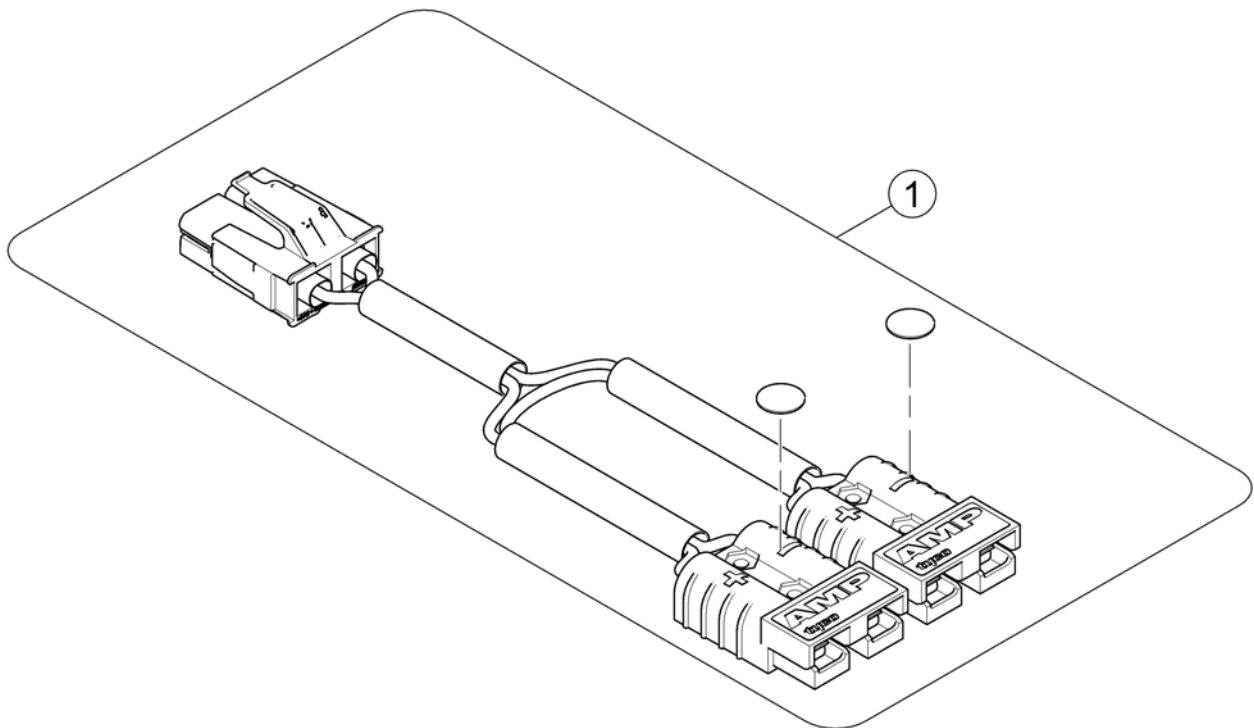
| Pos. | Part number | Description | Valid from → until | Qty |
|------|-------------|--|--------------------|-----|
| 1 | 1450307 | Remote Bracket Attendent Control Shark | | 1 |

Shark Cable & Accessories

1577874.190



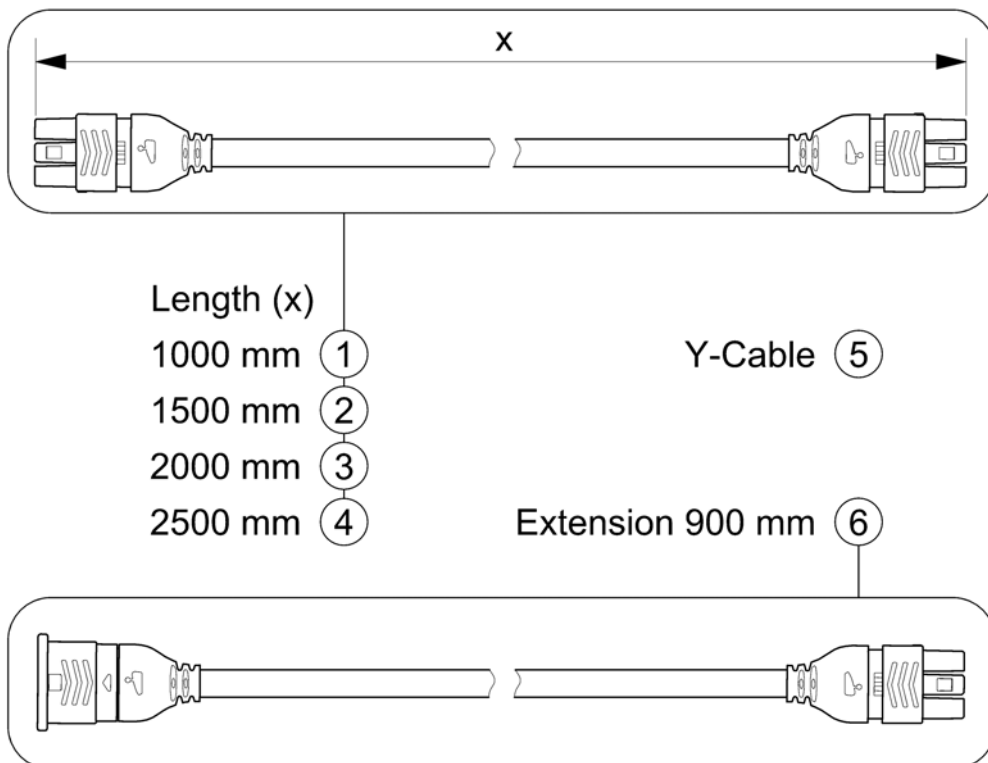
| Pos. | Part number | Description | Valid from → until | Qty |
|------|-------------|------------------|--------------------|-----|
| 1 | - | Cable Shark | | 1 |
| 2 | - | Bus-Cables Shark | | 1 |
| 3 | - | Programming Kits | | 1 |



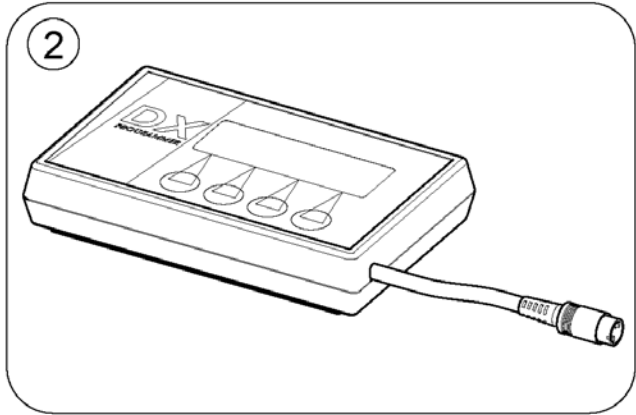
| Pos. | Part number | Description | Valid from → until | Qty |
|------|-------------|---------------------------------|--------------------|-----|
| 1 | SP1568363 | Powermodul - Batterieable Shark | | 1 |

Bus-Cables Shark

SHARKBUSKABEL.00



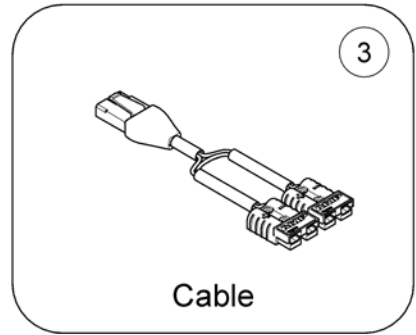
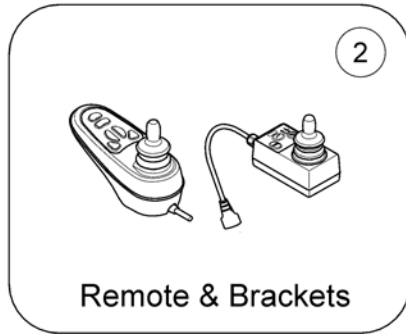
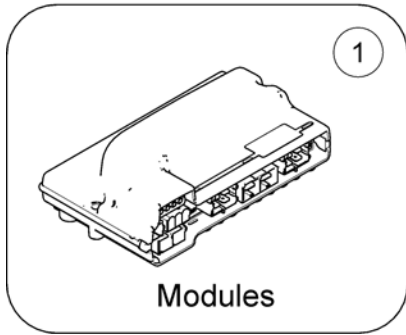
| Pos. | Part number | Description | Valid from → until | Qty |
|------|-------------|-----------------------------|--------------------|-----|
| 1 | 1448922 | Buscable Shark 1000mm | | 1 |
| 2 | 1450313 | Buscable Shark 1500mm | | 1 |
| 3 | 1484911 | Buscable Shark 2000mm | | 1 |
| 4 | SP1510073 | Buscable Shark 2500mm | | 1 |
| 5 | 1450314 | Y-Cable | | 1 |
| 6 | 1116404 | Extension Cable Shark 900mm | | 1 |



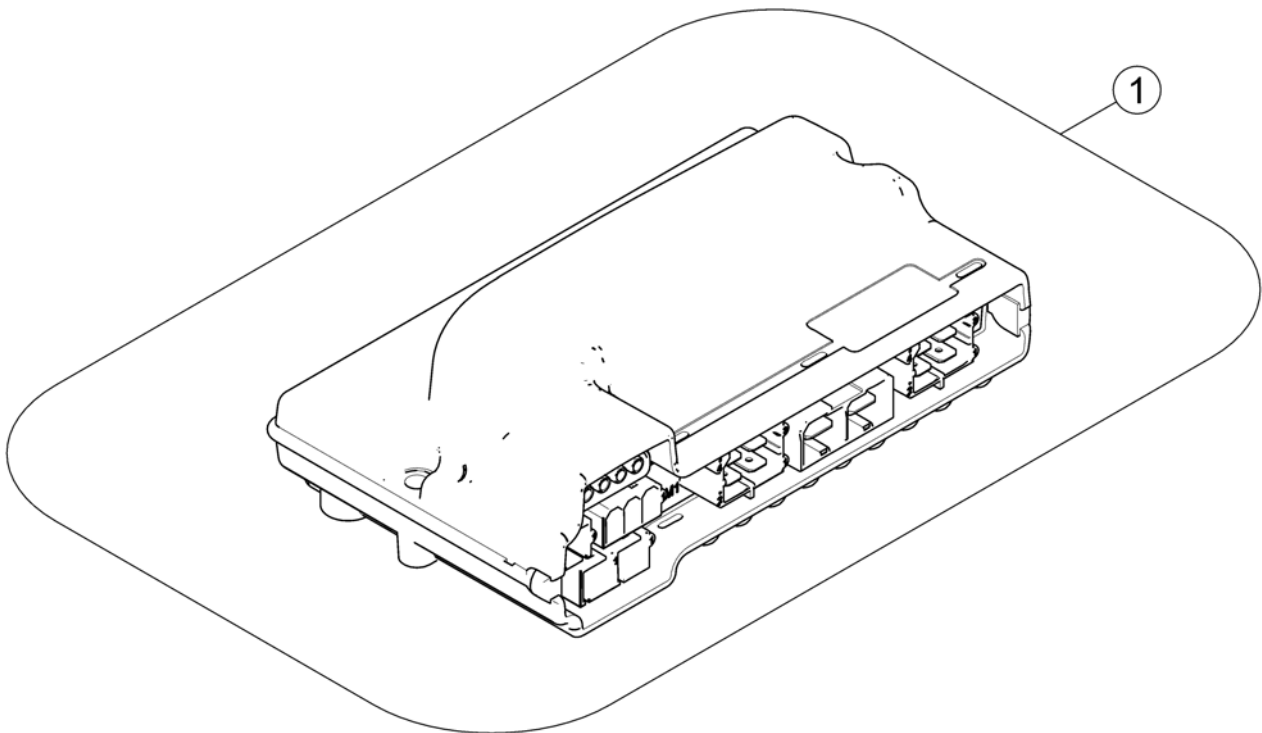
| Pos. | Part number | Description | Valid from → until | Qty |
|------|-------------|---|--------------------|-----|
| 1 | 1449280 | USW wizard dongle kit, EDL-USW, cpl. | | 1 |
| 2 | 6001450 | Hand Programmer, Instrucions In French, German, Spanish | | 1 |
| | SP1441551 | Programming Adapter Shark DK-ADAPT (necessary to program Shark) | | 1 |

VR2 Electronic

1577971.iso



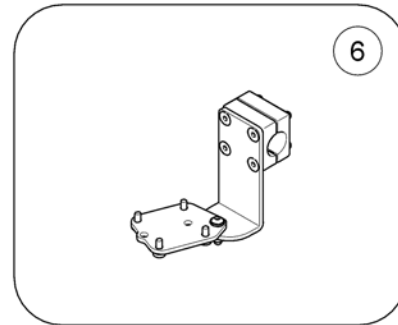
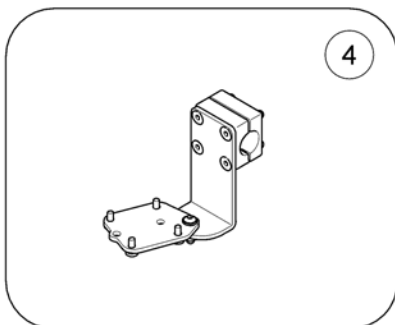
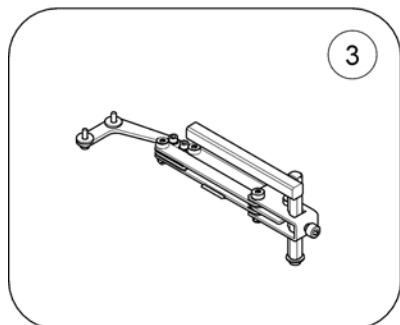
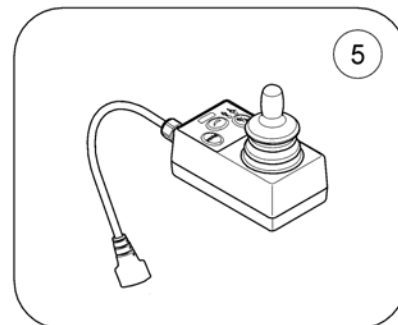
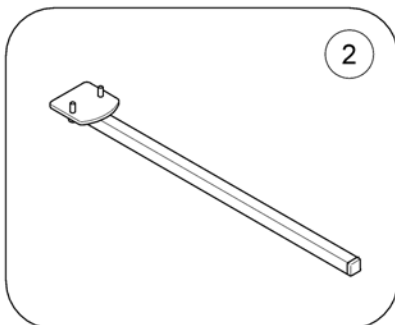
| Pos. | Part number | Description | Valid from → until | Qty |
|------|-------------|------------------------|--------------------|-----|
| 1 | - | VR2 Electronic Modules | | 1 |
| 2 | - | VR2 Remote & Brackets | | 1 |
| 3 | - | VR2 Cable | | 1 |



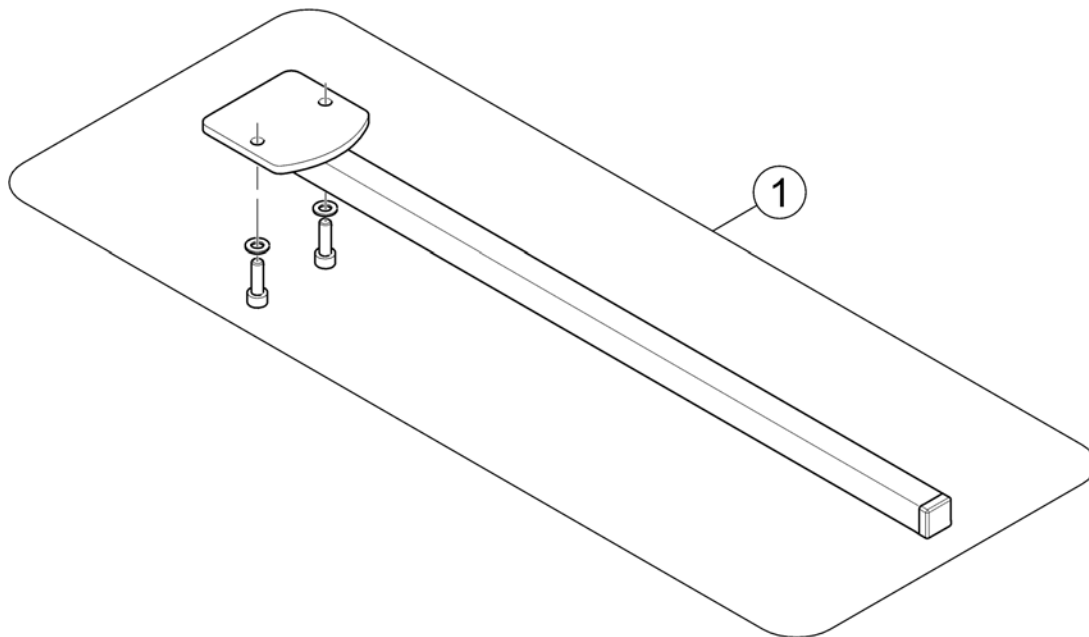
| Pos. | Part number | Description | Valid from → until | Qty |
|------|-------------|---|--------------------|-----|
| 1 | SP1504056 | Powermodule, VR2, 60A, only drive, VR2 60 | | 1 |

VR2 Remote & Brackets

1578300.iso



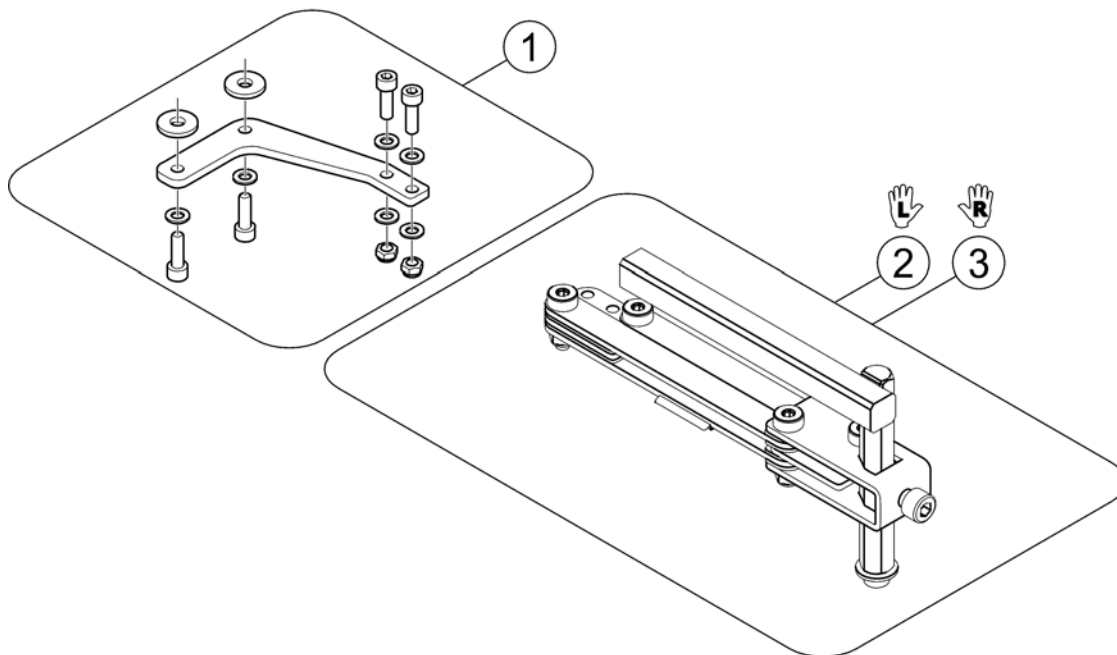
| Pos. | Part number | Description | Valid from → until | Qty |
|------|-------------|---|--------------------|-----|
| 1 | SP1504057 | VR2 Remote (Drive only) <i>[1551/1553] - replacement for SP1510130</i> | | 1 |
| 2 | - | Remote Bracket Standard <i>[1551&1207/1208]</i> | | 1 |
| 3 | - | Remote Bracket Swing away & height adjust. <i>[1551&1707/1708]</i> | | 1 |
| 4 | - | Remote Bracket Attendant <i>[1553&1207/1208]</i> | | 1 |
| 5 | SP1531736 | Remote Dual Control (incl. Y-cable) <i>[1597/1598]</i> | | 1 |
| 6 | - | Remote Bracket Dual Control <i>[1597/1598]</i> | | 1 |



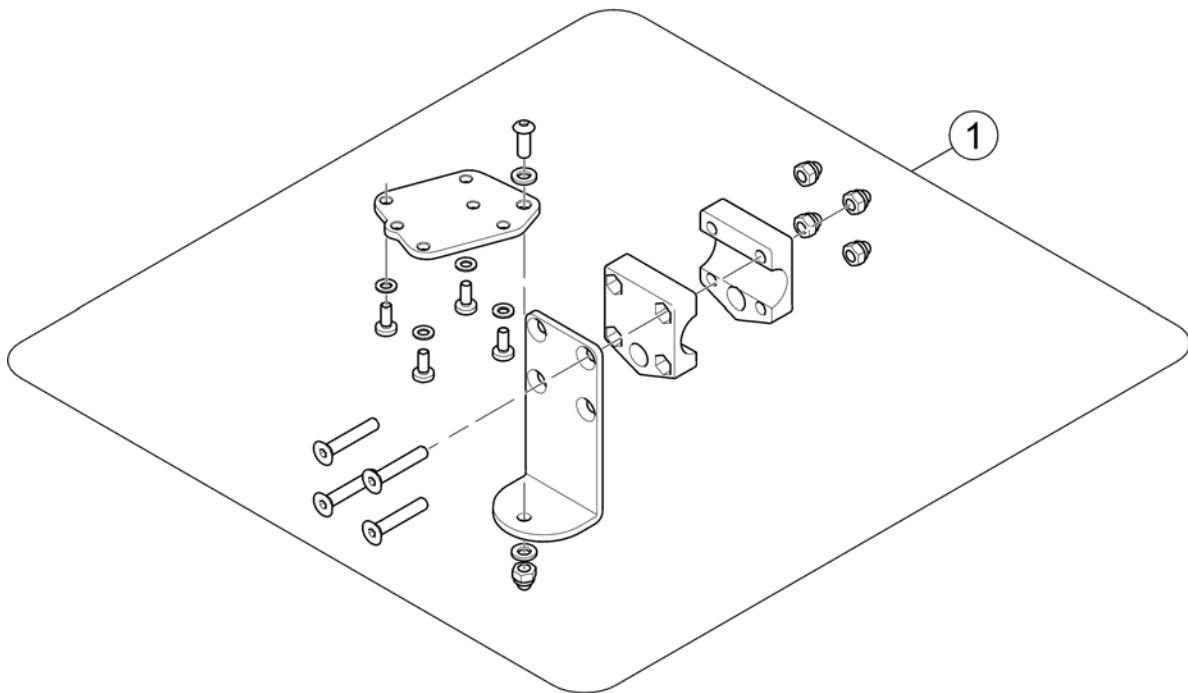
| Pos. | Part number | Description | Valid from → until | Qty |
|------|-------------|----------------|--------------------|-----|
| 1 | SP1527190 | Remote Bracket | | 1 |

Remote Bracket Swing away & height adjust.

1560572.iso



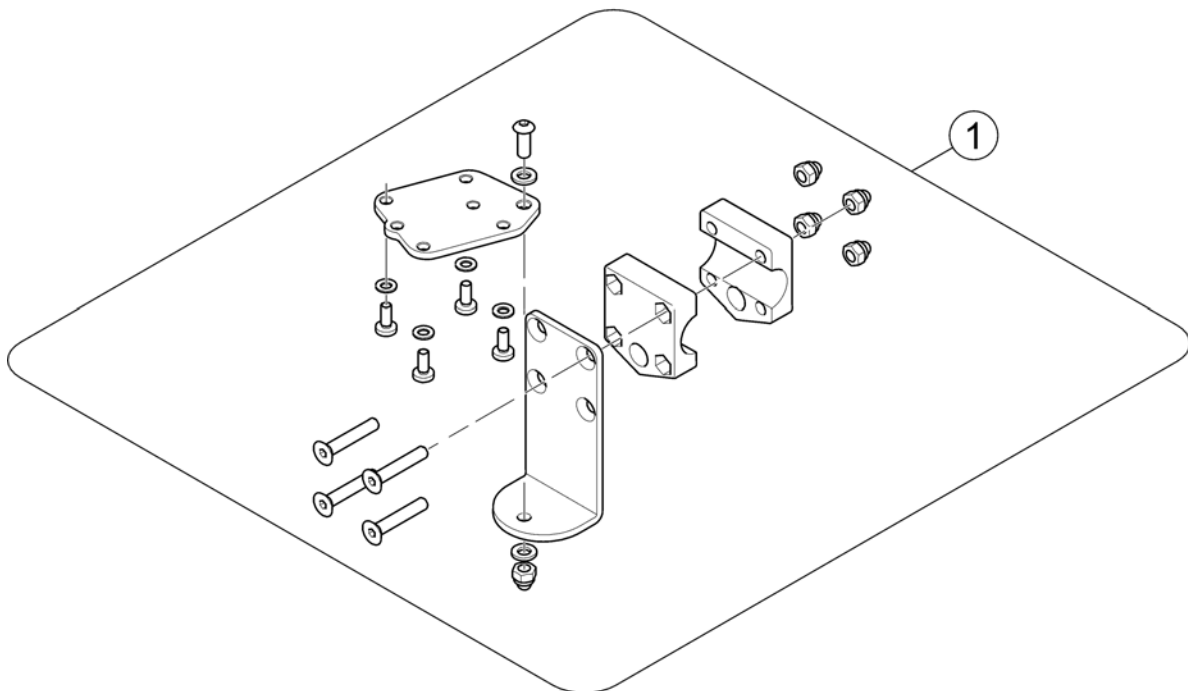
| Pos. | Part number | Description | Valid from → until | Qty |
|------|-------------|---|--------------------|-----|
| 1 | SP1528313 | Remote Support for Bracket height adjustable and swing away | | 1 |
| 2 | SP1496249 | Remote bracket, height adjustable & swing away, LH | | 1 |
| 3 | SP1496248 | Remote bracket, height adjustable & swing away, RH | | 1 |



| Pos. | Part number | Description | Valid from → until | Qty |
|------|-------------|----------------|--------------------|-----|
| 1 | SP1531713 | Remote Bracket | | 1 |

Remote Bracket Dual Control

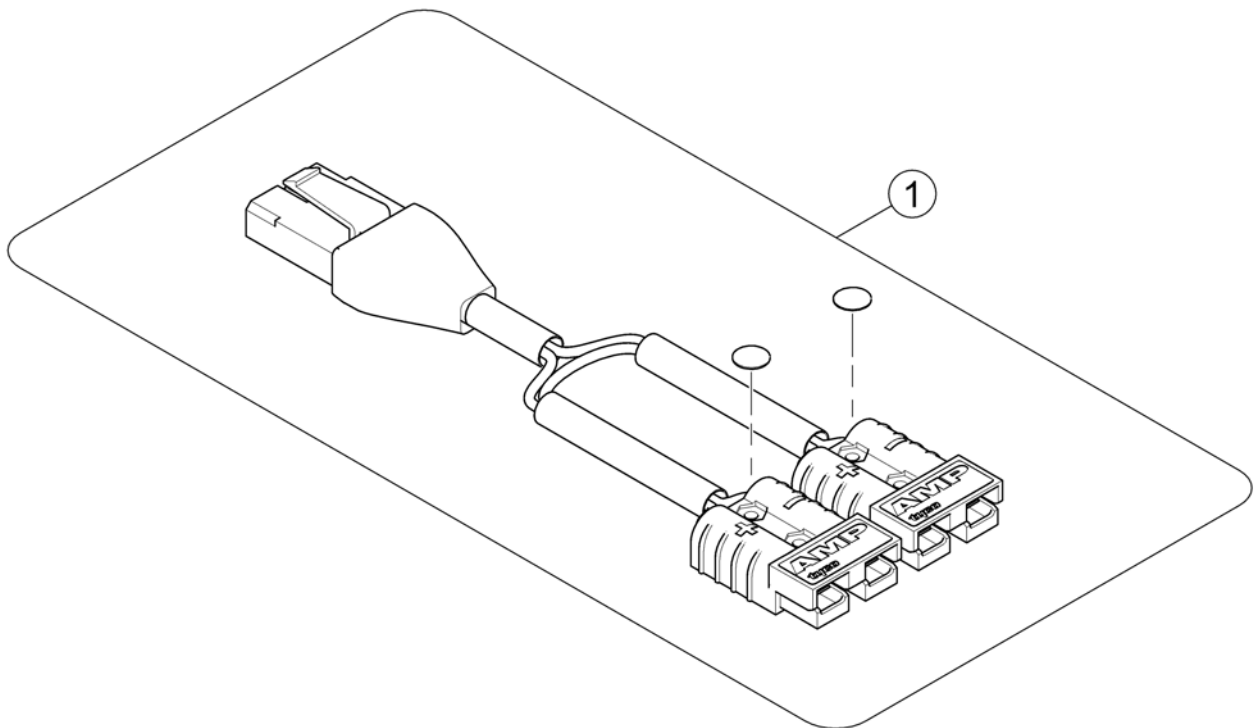
1561352.iso



| Pos. | Part number | Description | Valid from → until | Qty |
|------|-------------|----------------|--------------------|-----|
| 1 | SP1531713 | Remote Bracket | | 1 |

VR2 Cable

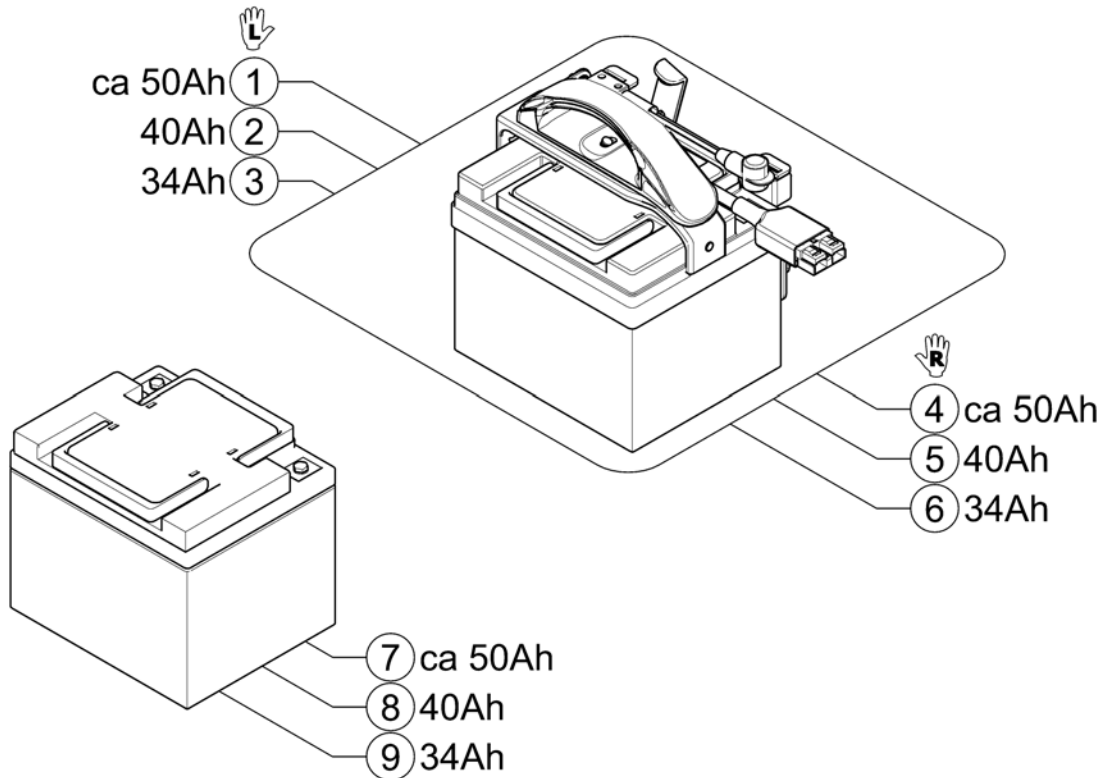
1578301iso



| Pos. | Part number | Description | Valid from → until | Qty |
|------|-------------|---------------------------------|--------------------|-----|
| 1 | SP1574029 | Powermodul - Batterie Cable VR2 | | 1 |

Battery

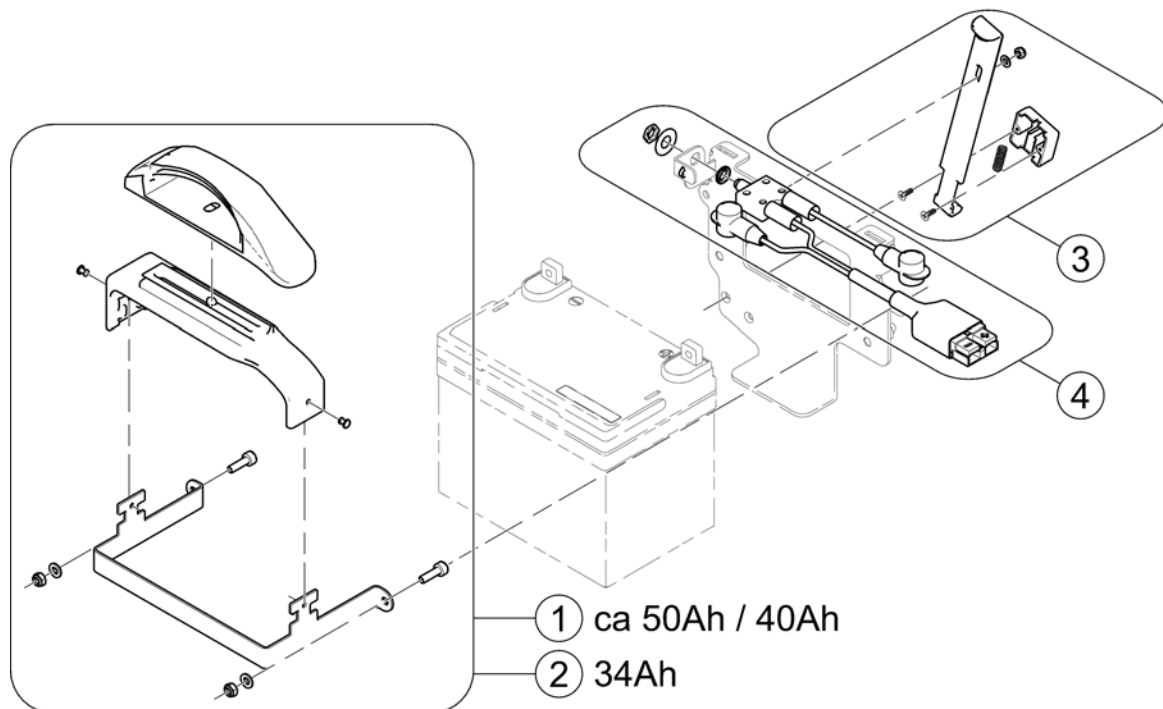
1578176.00



| Pos. | Part number | Description | Valid from → until | Qty |
|------|-------------|--|--------------------|-----|
| 1 | SP1578177 | Batteriebox cpl. ca. 50Ah LH [1248] | | 1 |
| 2 | SP1578193 | Batteriebox cpl. 40Ah LH [1255] | | 1 |
| 3 | SP1578194 | Batteriebox cpl. 34Ah LH [1486] | | 1 |
| 4 | SP1578195 | Batteriebox cpl. ca. 50Ah RH [1248] | | 1 |
| 5 | SP1578196 | Batteriebox cpl. 40Ah RH [1255] | | 1 |
| 6 | SP1578197 | Batteriebox cpl. 34Ah RH [1486] | | 1 |
| 7 | SP1522107 | Battery, 12V/50Ah C20, AGM [1248] | | 1 |
| 8 | PG50988 | Battery, 12V/40Ah C20, GEL [1255] | | 1 |
| 9 | SP1521459 | Battery, 12V/34Ah C20, AGM [1486] | | 1 |

Battery Accessories

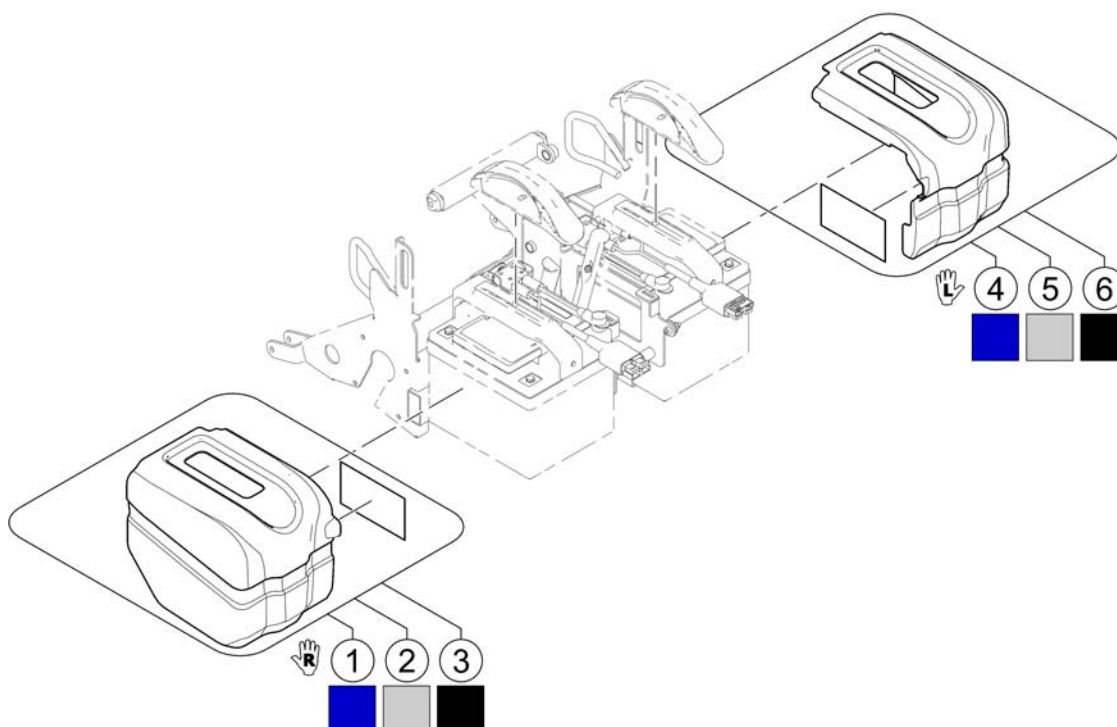
1578199.iso



| Pos. | Part number | Description | Valid from → until | Qty |
|------|-------------|---|--------------------|-----|
| 1 | SP1578199 | Batterie bracket for Batterie ca. 50Ah / 40Ah | | 1 |
| 2 | SP1578200 | Batterie bracket for Batterie 34 Ah | | 1 |
| 3 | SP1578201 | Locking mechanism | | 1 |
| 4 | SP1578202 | Circuit Breaker Battery Cable | | 1 |

Battery Cover

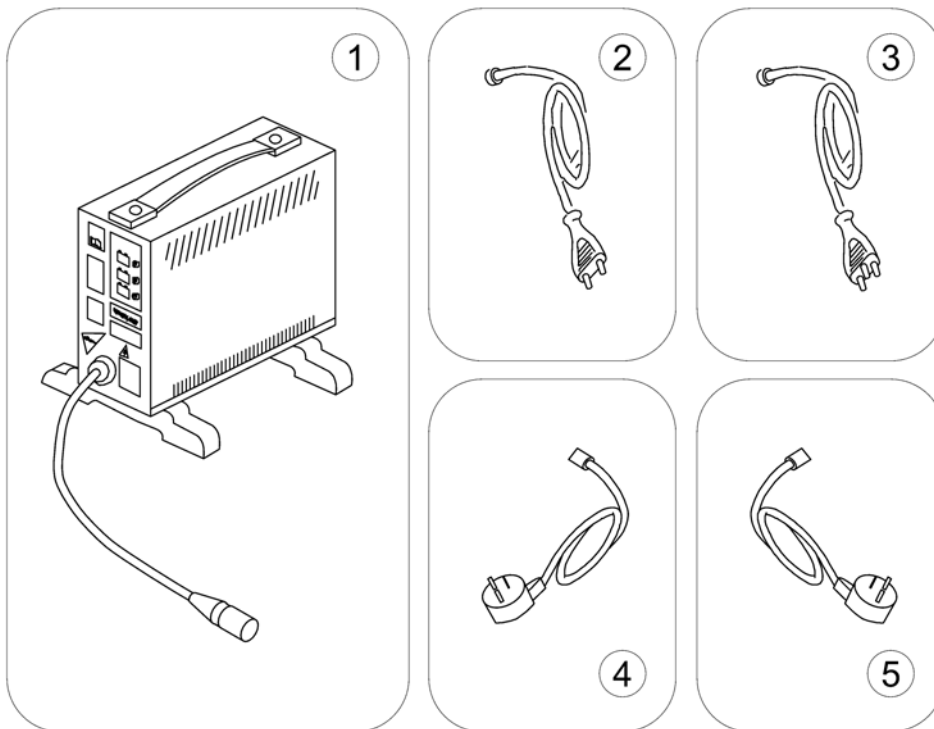
1578203 iso



| Pos. | Part number | Description | Valid from → until | Qty |
|------|-------------|---|--------------------|-----|
| 1 | SP1578216 | Battery Cover RH Pearl Night Blue [0201] | | 1 |
| 2 | SP1578229 | Battery Cover RH Metallic Silver [0233] | | 1 |
| 3 | SP1578227 | Battery Cover RH Silky Matt Black [0228] | | 1 |
| 4 | SP1578215 | Battery Cover LH Pearl Night Blue [0201] | | 1 |
| 5 | SP1578228 | Battery Cover LH Metallic silver [0233] | | 1 |
| 6 | SP1578220 | Battery Cover LH Silky Matt Black [0228] | | 1 |

Charger

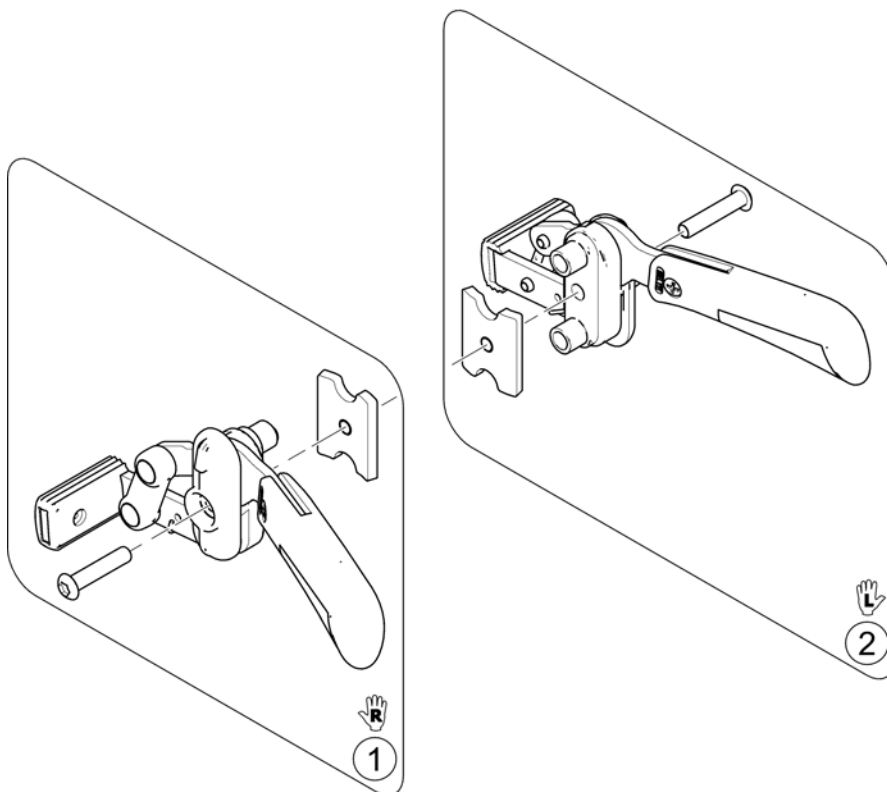
1577962.iso



| Pos. | Part number | Description | Valid from → until | Qty |
|------|-------------|--|--------------------|-----|
| 1 | SPP51981 | Charger 8A for Batteries up to 73Ah (without power cord) | | 1 |
| 2 | P21079 | Power Cord, Continental Shockproof Plug | | 1 |
| 3 | 1443841 | Power Cord, Swiss | | 1 |
| 4 | P21080 | Power Cord, UK | | 1 |
| 5 | SP1553849 | Power Cord, Israel | | 1 |

Wheel Locks

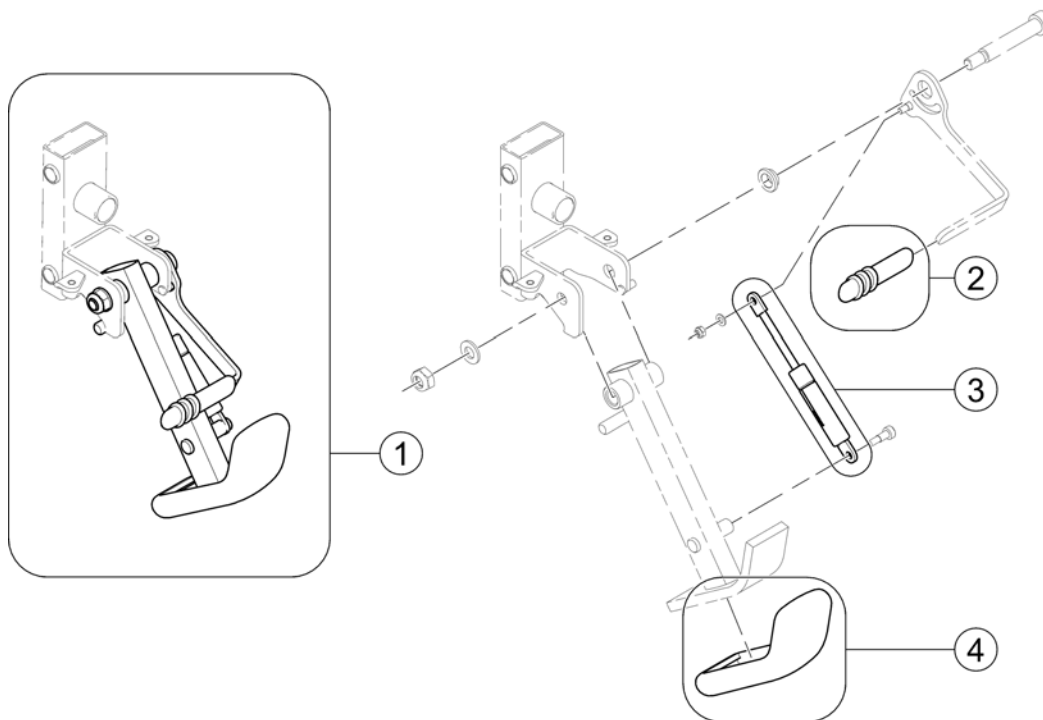
157597.00



| Pos. | Part number | Description | Valid from → until | Qty |
|------|-------------|-----------------------------|--------------------|-----|
| 1 | SP1567848 | Manual Wheel Locks Lever RH | | 1 |
| 2 | SP1567849 | Manual Wheel Locks Lever LH | | 1 |

Kerbrider

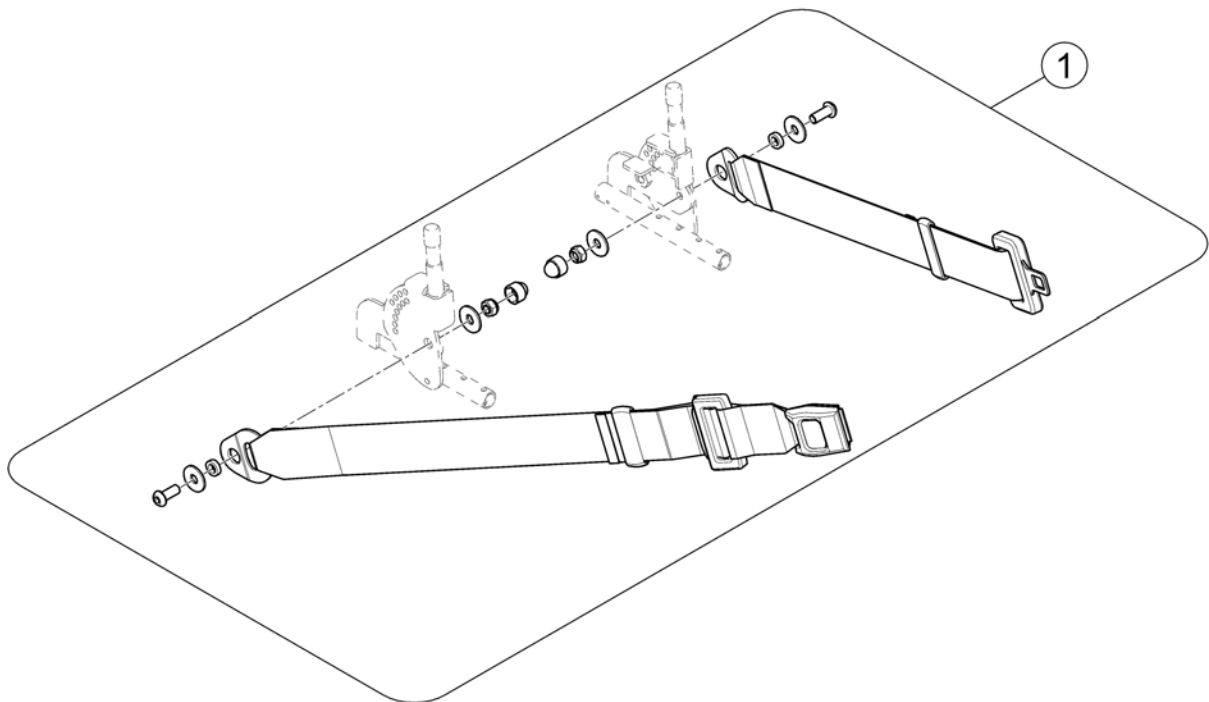
1577967.iso



| Pos. | Part number | Description | Valid from → until | Qty |
|------|-------------|------------------------|--------------------|-----|
| 1 | SP1563176 | Kerbrider, cpl. | | 1 |
| 2 | SP1101725 | Cap, Declutching Lever | | 1 |
| 3 | SP1559722 | Gas Spring | | 1 |
| 4 | B11037B | Rubber Foot | | 1 |

Lap Belt

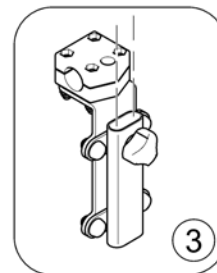
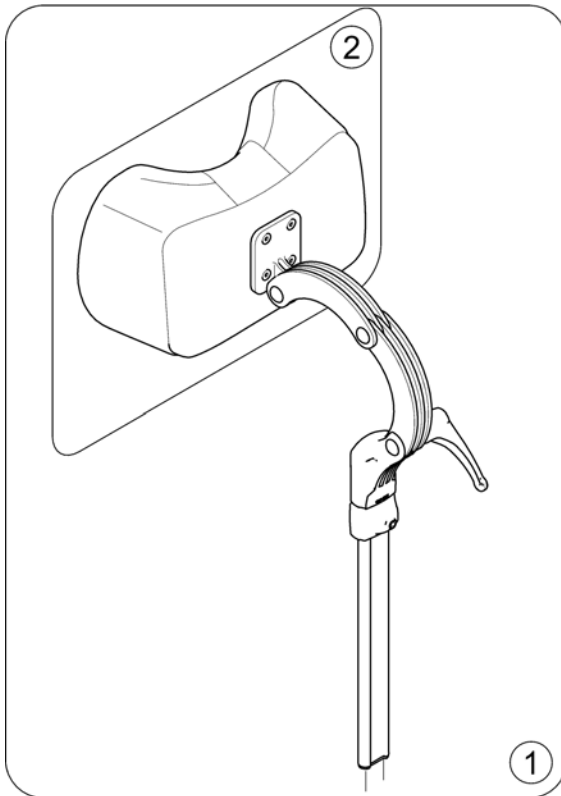
1578237.000



| Pos. | Part number | Description | Valid from → until | Qty |
|------|-------------|----------------|--------------------|-----|
| 1 | 1422845 | Lap Belt, cpl. | | 1 |

Neckrest

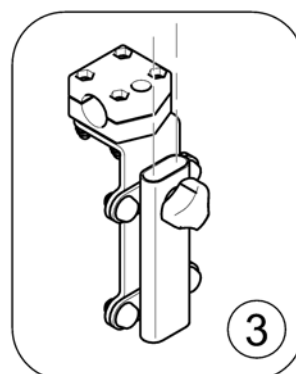
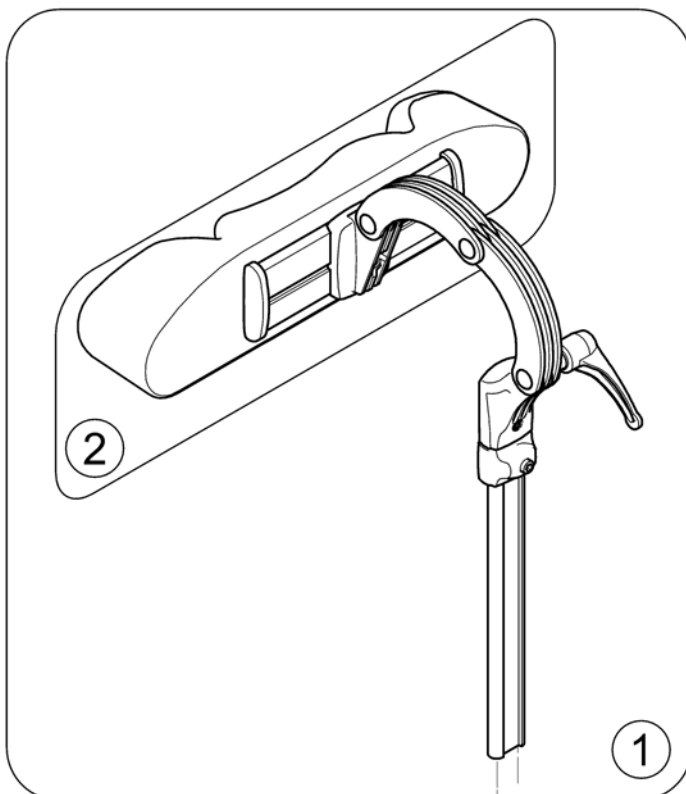
1578307.iss



| Pos. | Part number | Description | Valid from → until | Qty |
|------|-------------|------------------------------|--------------------|-----|
| 1 | SP1527050 | Neckrest, depth adjustable | | 1 |
| 2 | 1440903 | Headrest Pad Comfort Dartex | | 1 |
| 3 | SP1422914 | Head-/Neckrest Bracket, cpl. | | 1 |

Headrest Sidewise Adjustable

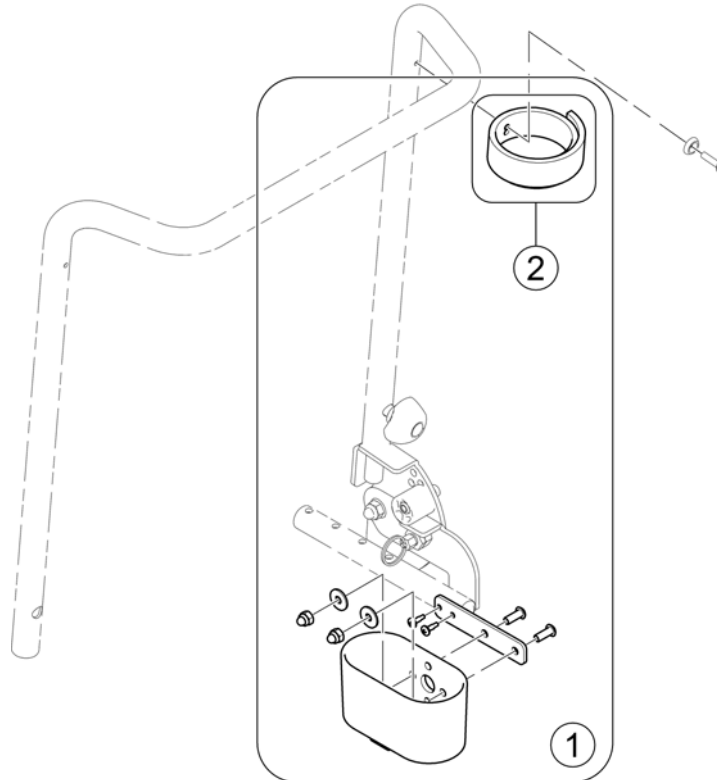
1577152.iso



| Pos. | Part number | Description | Valid from → until | Qty |
|------|--------------|---|--------------------|-----|
| 1 | SP1530119 | Headrest, sidewise adjustable, cpl. - Dartex TR26 | | 1 |
| 2 | 5252230-TR23 | Headrest Pad Comfort, dartex grey (TR23) | | 1 |
| 3 | SP1422914 | Head-/Neckrest Bracket, cpl. | | 1 |

Caneholder

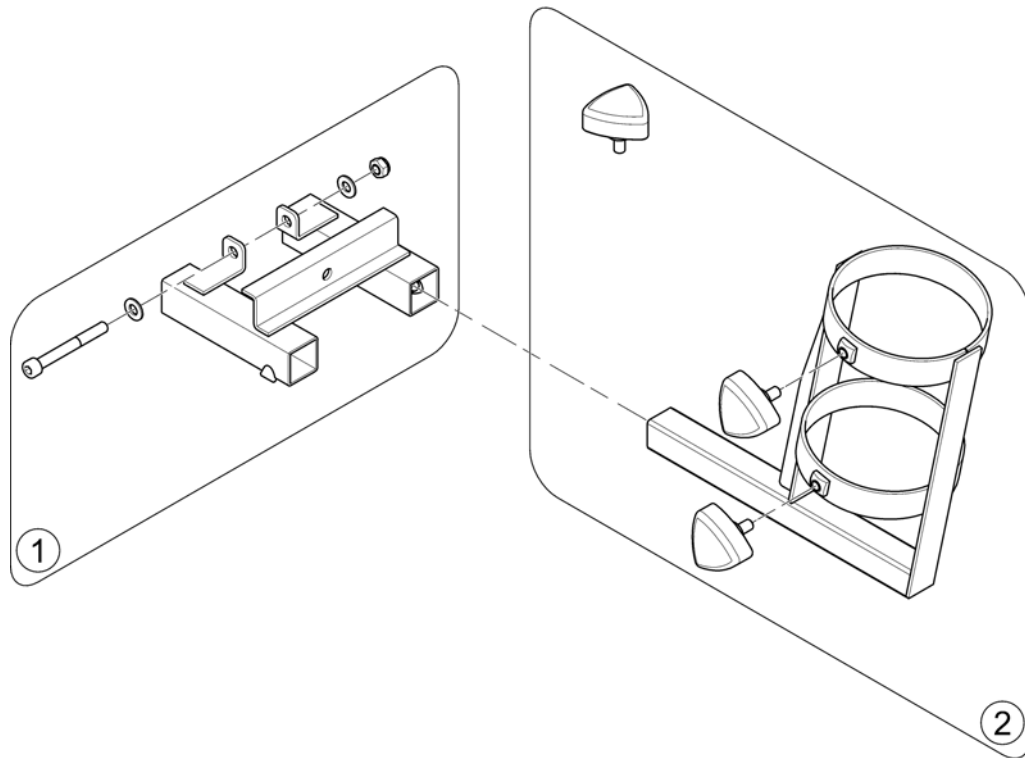
1577960.iso



| Pos. | Part number | Description | Valid from → until | Qty |
|------|-------------|---------------------|--------------------|-----|
| 1 | SP1570387 | Caneholder | | 1 |
| 2 | SP1420493 | Belt for caneholder | | 1 |

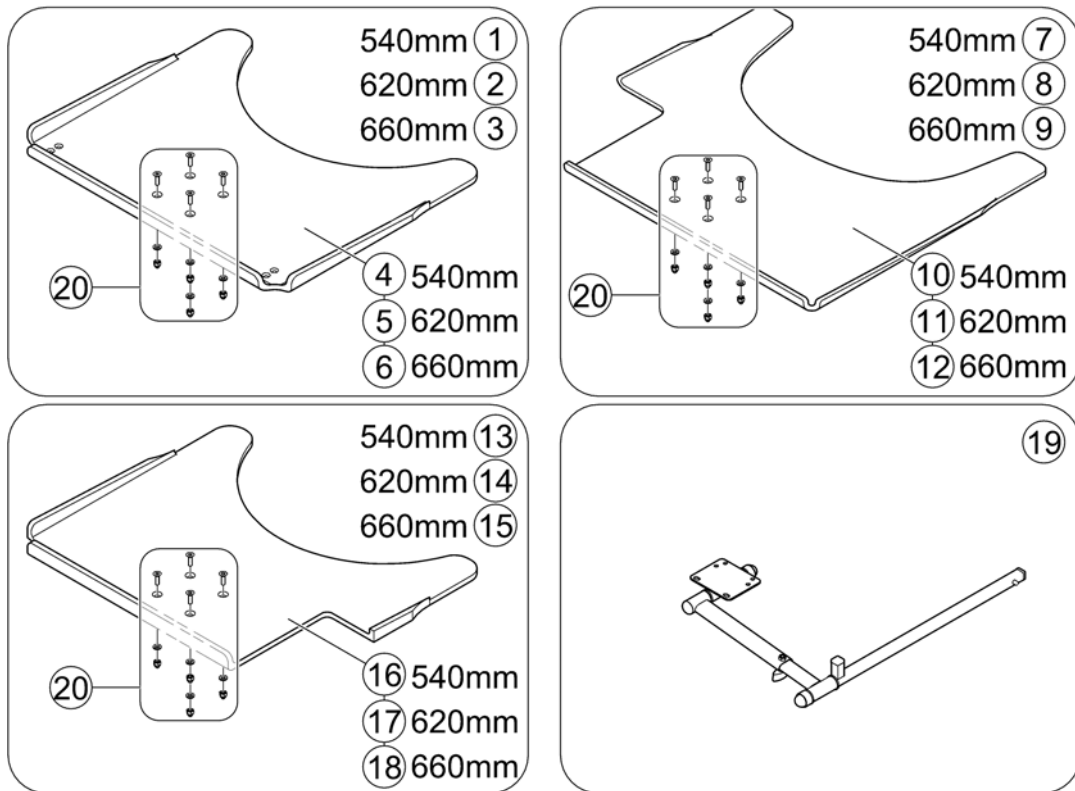
Oxygen Bottle Holder

1577998.iso



| Pos. | Part number | Description | Valid from → until | Qty |
|------|-------------|----------------------------|--------------------|-----|
| 1 | SP1573337 | Adapter for Accessories | | 1 |
| 2 | SP1572971 | Oxygen Bottle Holder, cpl. | | 1 |

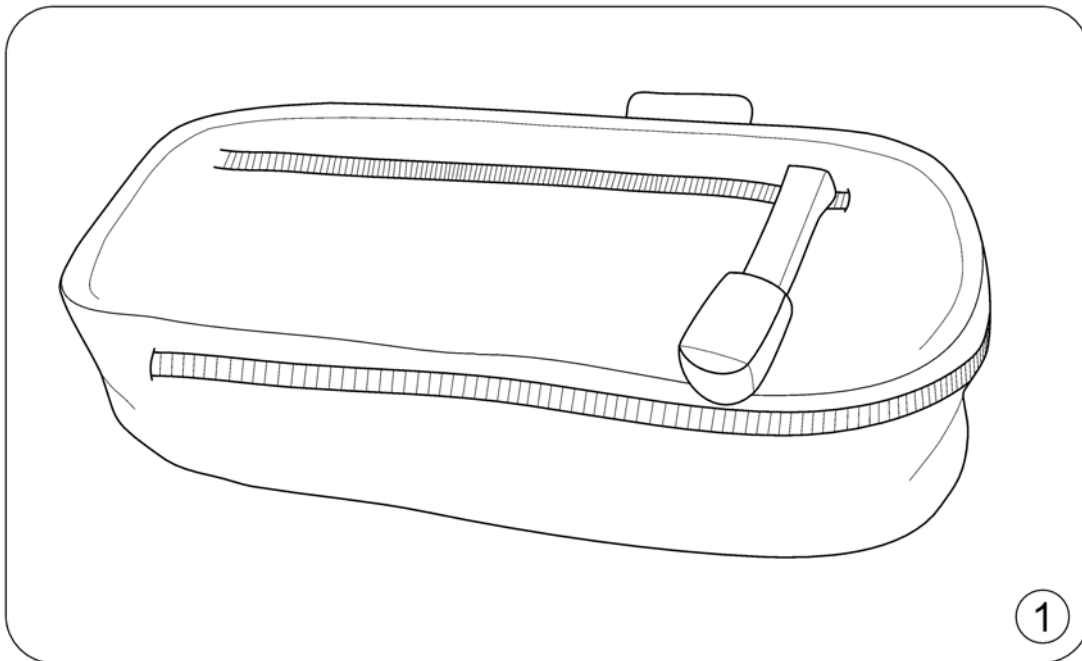
Trays



| Pos. | Part number | Description | Valid from → until | Qty |
|------|-------------|--|--------------------|-----|
| 1 | SP1548198 | Swing-Out Tray, 540mm, Seatwidth 330mm to 430mm, no Cutout, cpl. with holder | | 1 |
| 2 | SP1548201 | Swing-Out Tray, 620mm, Seatwidth 380mm to 480mm, no Cutout, cpl. with holder | | 1 |
| 3 | SP1422954 | Swing-Out Tray, 660mm, Seatwidth 430mm to 530mm, no Cutout, cpl. with holder | | 1 |
| 4 | SP1535050 | Tray table, 540mm, no Cutout | | 1 |
| 5 | SP1535010 | Tray table, 620mm, no Cutout | | 1 |
| 6 | SP1535011 | Tray table, 660mm, no Cutout | | 1 |
| 7 | SP1548138 | Swing-Out Tray, 540mm, Seatwidth 330mm to 430mm, Cutout RH, cpl. with holder | | 1 |
| 8 | SP1548199 | Swing-Out Tray, 620mm, Seatwidth 380mm to 480mm, Cutout RH, cpl. with holder | | 1 |
| 9 | SP1422953 | Swing-Out Tray, 660mm, Seatwidth 430mm to 530mm, Cutout RH, cpl. with holder | | 1 |
| 10 | SP1535051 | Tray table, 540mm, Cutout RH | | 1 |
| 11 | SP1535012 | Tray table, 620mm, Cutout RH | | 1 |
| 12 | SP1535049 | Tray table, 660mm, Cutout RH | | 1 |
| 13 | SP1548197 | Swing-Out Tray, 540mm, Seatwidth 330mm to 430mm, Cutout LH, cpl. with holder | | 1 |
| 14 | SP1548200 | Swing-Out Tray, 620mm, Seatwidth 380mm to 480mm, Cutout LH, cpl. with holder | | 1 |
| 15 | SP1422952 | Swing-Out Tray, 660mm, Seatwidth 430mm to 530mm, Cutout LH, cpl. with holder | | 1 |
| 16 | SP1535009 | Tray table, 540mm, Cutout LH | | 1 |
| 17 | SP1534974 | Tray table, 620mm, Cutout LH | | 1 |
| 18 | SP1534975 | Tray table, 660mm, Cutout LH | | 1 |
| 19 | SPZ177011 | Tray Support Fixing Kit cpl. SW 380/505 mm | | 1 |
| 20 | Z177025 | Fastening-Kit Tray | | 1 |

KLICKfix® bag

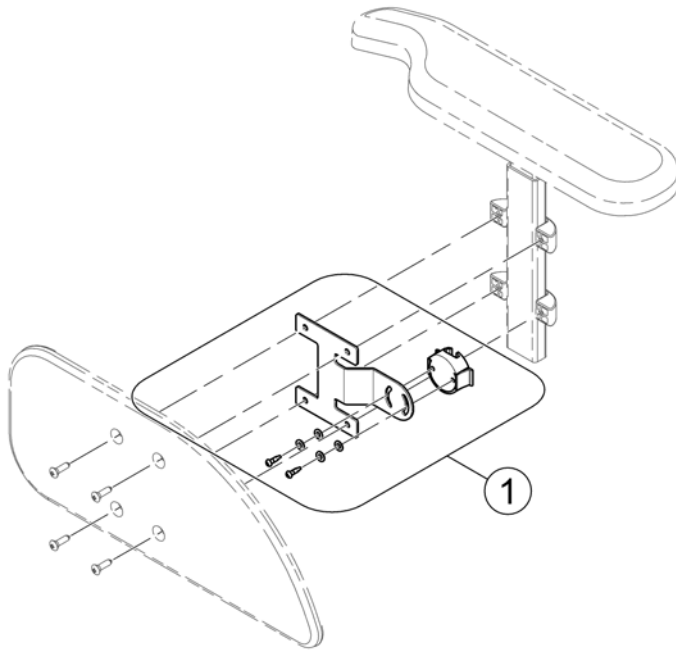
1562500 iso



| Pos. | Part number | Description | Valid from → until | Qty |
|------|-------------|---------------|--------------------|-----|
| 1 | SP1557532 | KLICKfix® bag | | 1 |

KLICKfix® bracket for T-Armrest

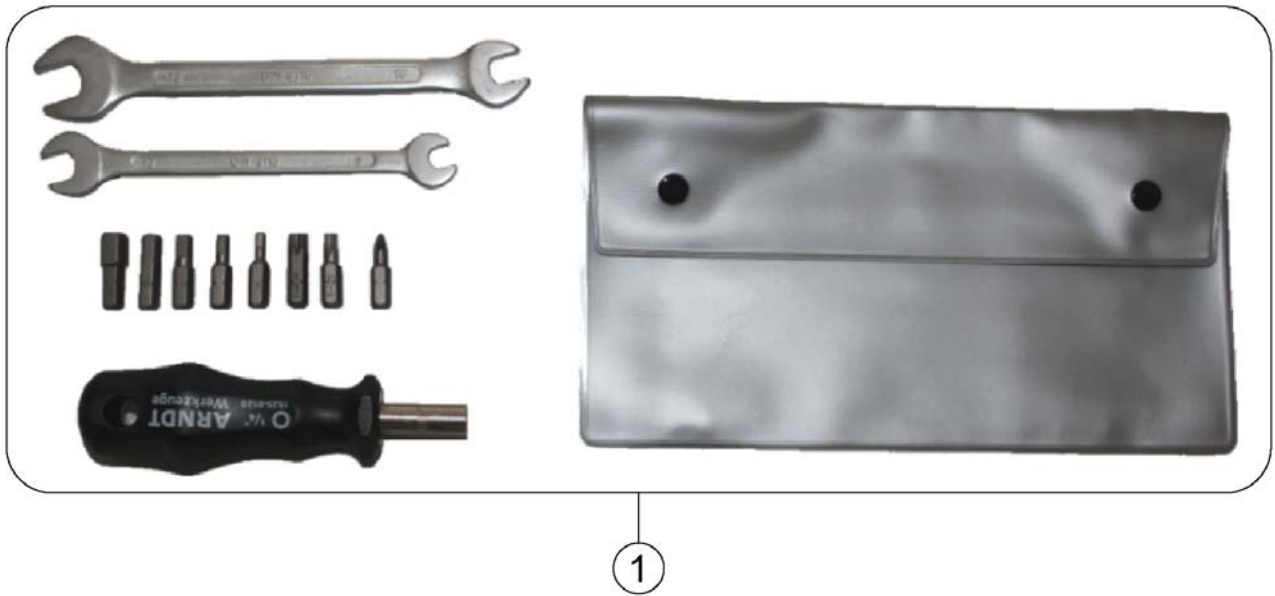
1571871 iso



| Pos. | Part number | Description | Valid from → until | Qty |
|------|-------------|-------------------|--------------------|-----|
| 1 | SP1571678 | KLICKfix® bracket | | 1 |

Toolkit

1567260.110



| Pos. | Part number | Description | Valid from → until | Qty |
|------|-------------|------------------|--------------------|-----|
| 1 | SP1422868 | Toolkit with bag | | 1 |



Yes, you can.®



Belgium & Luxemburg:

Invacare nv, Autobaan 22, B-8210 Loppem
Tel: (32) (0)50 83 10 10, Fax: (32) (0)50 83 10 11
belgium@invacare.com / www.invacare.be

Denmark:

Invacare A/S, Sdr. Ringvej 37, DK-2605 Brøndby
Tel: (45) (0)36 90 00 00, Fax: (45) (0)36 90 00 01
denmark@invacare.com / www.invacare.dk

Deutschland:

Invacare Aquatec GmbH, Alemannenstraße 10, D-88316 Isny
Tel: (49) (0)75 62 7 00 0, Fax: (49) (0)75 62 7 00 66
info@invacare-aquatec.com / www.invacare-aquatec.de

European Distributor Organisation:

Invacare, Kleiststraße 49, D-32457 Porta Westfalica
Tel: (49) (0)57 31 754 540, Fax: (49) (0)57 31 754 541
edo@invacare.com / www.invacare.eu.com

España:

Invacare SA, c/Areny s/n, Polígon Industrial de Celrà, E-17460 Celrà (Girona)
Tel: (34) (0)972 49 32 00, Fax: (34) (0)972 49 32 20
contactsp@invacare.com / www.invacare.es

France:

Invacare Poirier SAS, Route de St Roch, F-37230 Fondettes
Tel: (33) (0)2 47 62 64 66, Fax: (33) (0)2 47 42 12 24
contactfr@invacare.com / www.invacare.fr

Ireland:

Invacare Ireland Ltd, Unit 5 Seatown Business Campus, Seatown Road, Swords, County Dublin - Ireland
Tel: (353) 1 810 7084, Fax: (353) 1 810 7085
ireland@invacare.com / www.invacare.ie

Italia:

Invacare Mecc San s.r.l., Via dei Pini 62, I-36016 Thiene (VI)
Tel: (39) 0445 38 00 59, Fax: (39) 0445 38 00 34
italia@invacare.com / www.invacare.it

Nederland:

Invacare BV, Celsiusstraat 46, NL-6716 BZ Ede
Tel: (31) (0)318 695 757, Fax: (31) (0)318 695 758
nederland@invacare.com, csede@invacare.com / www.invacare.nl

Norge:

Invacare AS, Grensesvingen 9, Postboks 6230, Etterstad, N-0603 Oslo
Tel: (47) (0)22 57 95 00, Fax: (47) (0)22 57 95 01
norway@invacare.com, island@invacare.com / www.invacare.no

Österreich:

Invacare Austria GmbH, Herzog Odilostrasse 101, A-5310 Mondsee
Tel: (43) 6232 5535 0, Fax: (43) 6232 5535 4
info-austria@invacare.com / www.invacare.at

Portugal:

Invacare Lda, Rua Estrada Velha, 949, P-4465-784 Leça do Balio
Tel: (351) (0)225 1059 46/47, Fax: (351) (0)225 1057 39
portugal@invacare.com / www.invacare.pt

Sverige & Suomi:

Invacare AB, Fagerstagatan 9, S-163 91 Spånga
Tel: (46) (0)8 761 70 90, Fax: (46) (0)8 761 81 08
sweden@invacare.com, finland@invacare.com / www.invacare.se

Switzerland:

Invacare AG, Benkenstrasse 260, CH-4108 Witterswil
Tel: (41) (0)61 487 70 80, Fax: (41) (0)61 487 70 81
switzerland@invacare.com / www.invacare.ch

United Kingdom:

Invacare Limited, Pencoed Technology Park, Pencoed, Bridgend CF35 5AQ
Switchboard Tel: (44) (0)1656 776200, Fax: (44) (0)1656 776201
Customer services Tel: (44) (0)1656 776222, Fax: (44) (0)1656 776220
uk@invacare.com / www.invacare.co.uk