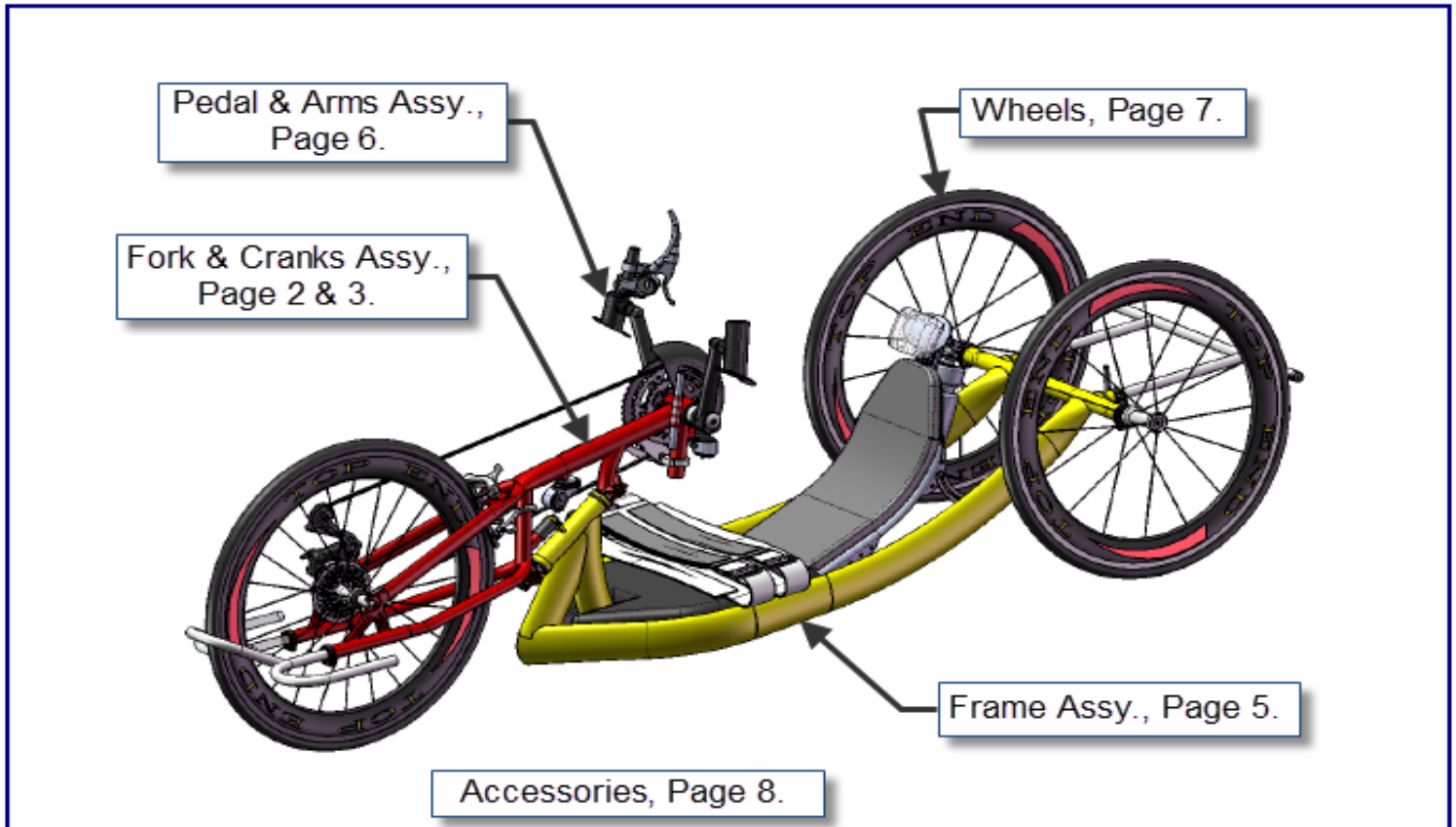




Sports and Recreation Products
4501 63rd Circle North
Pinellas Park, FL 33781
(800) 532-8677 (727) 522-8677
Fax: (727) 522-1007
www.topendwheelchair.com

Invacare Top End Parts Catalog Force RX



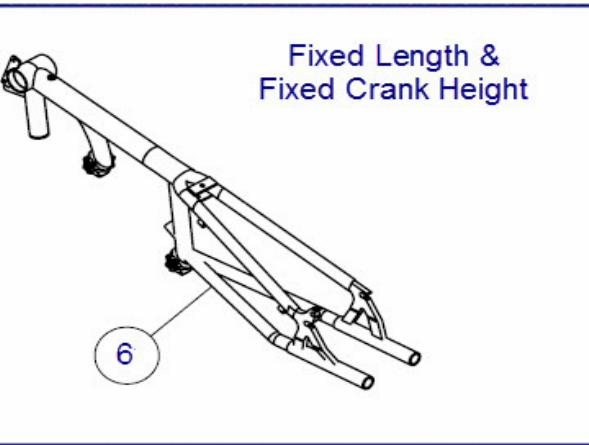
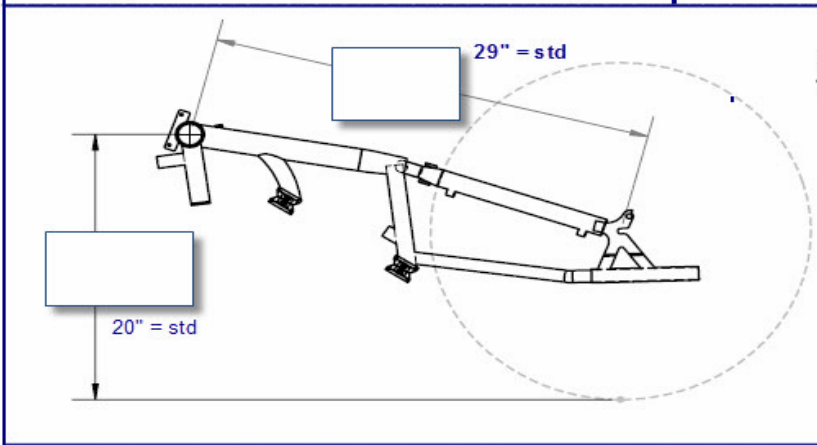
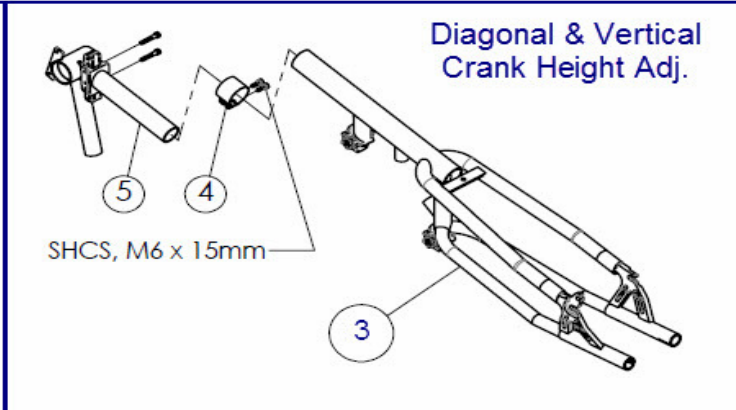
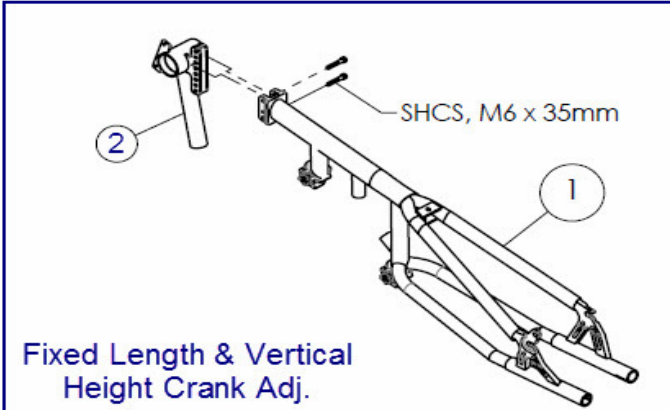


Force RX: Fork/Cranks Assembly

Date:	PO# / Customer#	Ship to <input type="checkbox"/> Customer <input type="checkbox"/> Provider	
Provider: _____	Account # _____	Customer: _____	Top End Sales Order: _____
Phone: _____	Fax: _____	Phone: _____	Serial #: _____

ITEM	PART NUMBER	PER BIKE	DESCRIPTION	QTY.	
1	1166337	1	Brake Caliper Set (Front & Rear) Torq Lite Road II		PR
	1156686	2	Brake Caliper, Cane Creek SL with Titanium Hardware		EA
	1156720	1	Disc Brake Caliper		EA
	1156768	1	Disc Brake Rotor for Standard Wheel Only		EA
	1166232	1	Disc Brake Rotor for Corima Wheel Only		EA
	1156769	1	Disc Brake Replacement Pads		PR
2	1153311	1	Bottom Bracket Spindle Assy. (includes spindle, 2 star nuts) <input type="checkbox"/> 6-3/4" <input type="checkbox"/> 7-1/4" <input type="checkbox"/> Other		EA
3	1166481	2	Lever for Parking Brake/Friction Shiftert Lever		EA
4	1139810	2	Clamp, 1" Footrest Single Screw		EA
	1153042	2	Handcycle Leg Support (3/4") w/ Strap <input type="checkbox"/> 3-3/4" Wide <input type="checkbox"/> 4-3/4" Wide <input type="checkbox"/> Right <input type="checkbox"/> Left		EA
5	1153155	2	Footrest Strap 2" Padded		EA
6	1166514	1	Crank Spacer Assy., (Includes 2 Spacers) <input type="checkbox"/> Cable Driven Derailleur <input type="checkbox"/> Manual Derailleur		EA
7	1166332	1	SRAM XX 10 Speed Front Derailleur		EA
	1156681	1	SRAM X.O. Derailleur (Front Wheel)		EA
8	1146014	1	Cable and Housing, for Parking Brake		EA
	1146015	1	Cable and Housing, for Hand Brake		EA
	1146016	1	Cable and Housing for Shifter (indicate shifter type)		EA
9	1166230	1	Fork Mount, Shifter Double (Include 2 plastic clamps and 2 plugs)		EA
10	1166229	1	Fork Mount, Shifter Single (Include 2 plastic clamps and 1 plug)		EA
11	1166330	1	Shifter Lever Red Right, 10 speed		EA
	1166513	1	In line Adjuster to Shifter cable		EA
12	1166507	2	Plastic Clamps, Fork Mount Shifter Clamp		EA
13	1166527	1	Footrest w/Bumper (3/4") w/ Strap <input type="checkbox"/> 1 w/o Drop, <input type="checkbox"/> 2 w/Drop <input type="checkbox"/> 3-3/4" Wide (std), <input type="checkbox"/> 4-3/4" Wide		EA
14	1139745	1	Manual Derailleur Assembly (incl: (1) derailleur, (1) lever, and hardwares, see Page 3 for Compatibility)		EA
15	1166504	1	Cable Driven Derailleur, Sram XO		EA
16	1166338	1	Chainring Ring Asm, 48-39-24, Black (Separate Spider)		EA
	1166339	1	Chainring Ring Asm, 53-39-28, Black (Separate Spider)		EA
	1166696	1	Top End chainring assembly, 44-34-22T, Compact 110		EA
	1166471	1	24T Chainring, 5x74mm		EA
	1109799	1	28T Chainring, 5x74mm		EA
	1109800	1	39T Chainring, 5x130mm		EA
	1109801	1	48T Chainring ramped, 5x130mm		EA
	1166493	1	53T Chainring ramped, 5x130mm		EA
	1156727	1	Spider 74/130		EA
	1166510	1	Q-ring 39T Chainring, 5x130 mm, Rotor Ring		EA
	1166511	1	Q-ring 53T Chainring, 5x130 mm, Rotor Ring		EA
	1109802	5	Chainring Bolt and Nuts, M8x.75 x 9mm (Outer Rings)		EA
	1109803	4	Chainring Bolt and Spacer, M8x.75 x 15mm (Inner Rings)		EA
	1166334	1	Hollow Pin Chain, 10 Speed		EA
17	1166662	1	Chainring Guard, Carbon		EA
18	1166698	1	Fork Mounted Shifter, Tube		EA
19	1166333	1	Mounting Clamp for SRAM Shifter XX 10 Speed		EA
20	1166503	1	SRAM Shifter XX 10 Speed, (Mounting Clamp not Included)		EA
21	1166340	1	Brake Lever		EA
22	1166543	2	Cable spring, handcycle		EA
23	1145951	2	Cap, Spindle (With SHCS, M6 x 15mm)		EA
24	1127921	4	Crank Bearing, 30 x 42 x 7		EA
25	1166515	1	Cable Guide, Rubber Tube		EA
26	1166280	1	SRM Adapter		EA
27		1	SRM Power Meter		EA
28	1180966	1	Compact Spider Assembly		EA

Date:	PO# / Customer#	Ship to <input type="checkbox"/> Customer <input type="checkbox"/> Provider
Provider:	Account #	Customer:
Phone:	Fax:	Serial #:



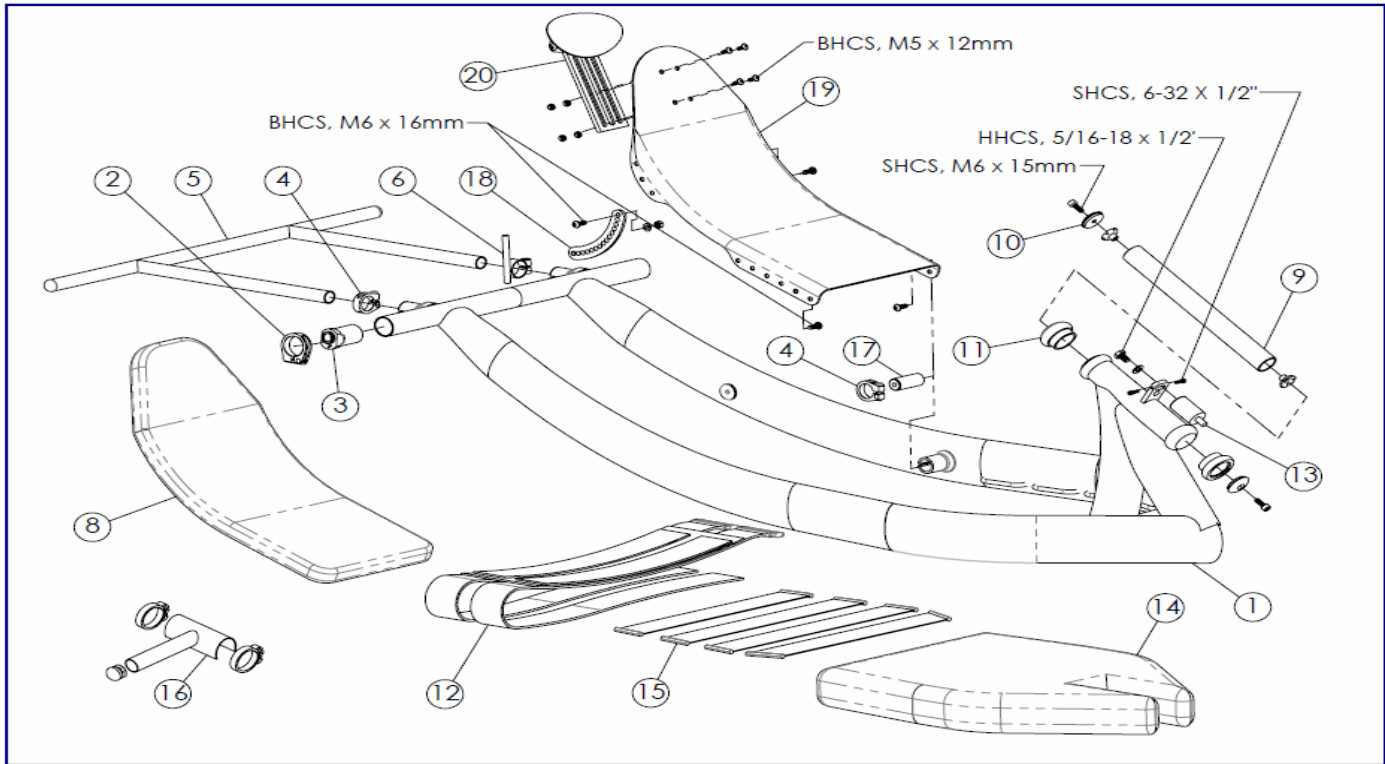
Bottom Bracket	Upper Derailleur	Cable Driven	XLT80, Fork Mounted Shifter	Fork Mounted, Second Brake	Lower Fork Style

ITEM	PART NUMBER	PER BIKE	DESCRIPTION					QTY.	
1	1153309	1	Fixed Length & Vertical Crank Adj., (incl: 2 clamps, 4 bolts & nuts) Color: _____ Serial # _____			XLT80, Fork Mounted Shifter: <input type="checkbox"/> Yes <input type="checkbox"/> No (std)	Fork Mounted, Second Brake: <input type="checkbox"/> Yes (std) <input type="checkbox"/> No	Lower Fork Style: <input type="checkbox"/> Aero (std) <input type="checkbox"/> Wide <input type="checkbox"/> Wide w/Discbrake	EA
2	1153310	1	Crank assembly, vertical adjustment (incl: housing, 6.75in shaft, and hardwares), Upper Derailleur: <input type="checkbox"/> Manual <input type="checkbox"/> Cable Driven						EA
3	1153041	1	Diagonal & Vertical Adj. (incl: 2 clamps, 4 bolts & nuts) Color: _____ Serial # _____			XLT80, Fork Mounted Shifter: <input type="checkbox"/> Yes <input type="checkbox"/> No (std)	Fork Mounted, Second Brake: <input type="checkbox"/> Yes (std) <input type="checkbox"/> No	Lower Fork Style: <input type="checkbox"/> Aero (std) <input type="checkbox"/> Wide <input type="checkbox"/> Wide w/Discbrake	EA
4	1146020	2	Clamp / Cable Guide with hardware (include: 2 bolts)						EA
5	1153055	1	Crank Assy., Diagonal & Vertical Adj. (incl: housing, 6.75in shaft, and hardwares), Upper Derailleur: <input type="checkbox"/> Manual <input type="checkbox"/> Cable Driven						EA
6	1166316	1	Fixed Length & Fixed Crank Height, (incl: 2 clamps, 4 bolts & nuts) Color: _____ Serial # _____	Bottom Bracket: <input type="checkbox"/> TopEnd (std) <input type="checkbox"/> Bicycle	Upper Derailleur: <input type="checkbox"/> Cable Driven (std) <input type="checkbox"/> Manual	XLT80, Fork Mounted Shifter: <input type="checkbox"/> Yes <input type="checkbox"/> No (std)	Fork Mounted, Second Brake: <input type="checkbox"/> Yes (std) <input type="checkbox"/> No	Lower Fork Style: <input type="checkbox"/> Aero (std) <input type="checkbox"/> Wide <input type="checkbox"/> Wide w/Discbrake	EA
	1153104	1	Crank Assy., Diagonal Adj. only (incl: housing, 6.75in shaft, and hardwares),			Upper Derailleur: <input type="checkbox"/> Manual <input type="checkbox"/> Cable Driven			EA
	1153164	2	Clamp, bottom Half Color: _____						EA
	1166231	1	Fork, Disc Brake compatible (wide style, integral welded mount) Color: _____						EA



Force RX: Frame Assembly

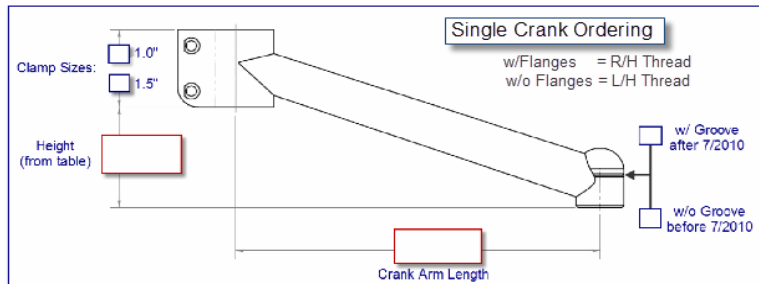
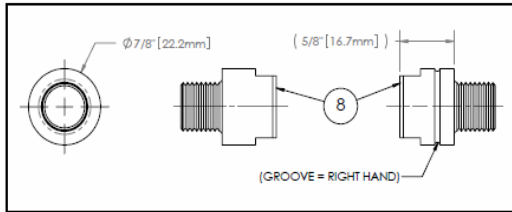
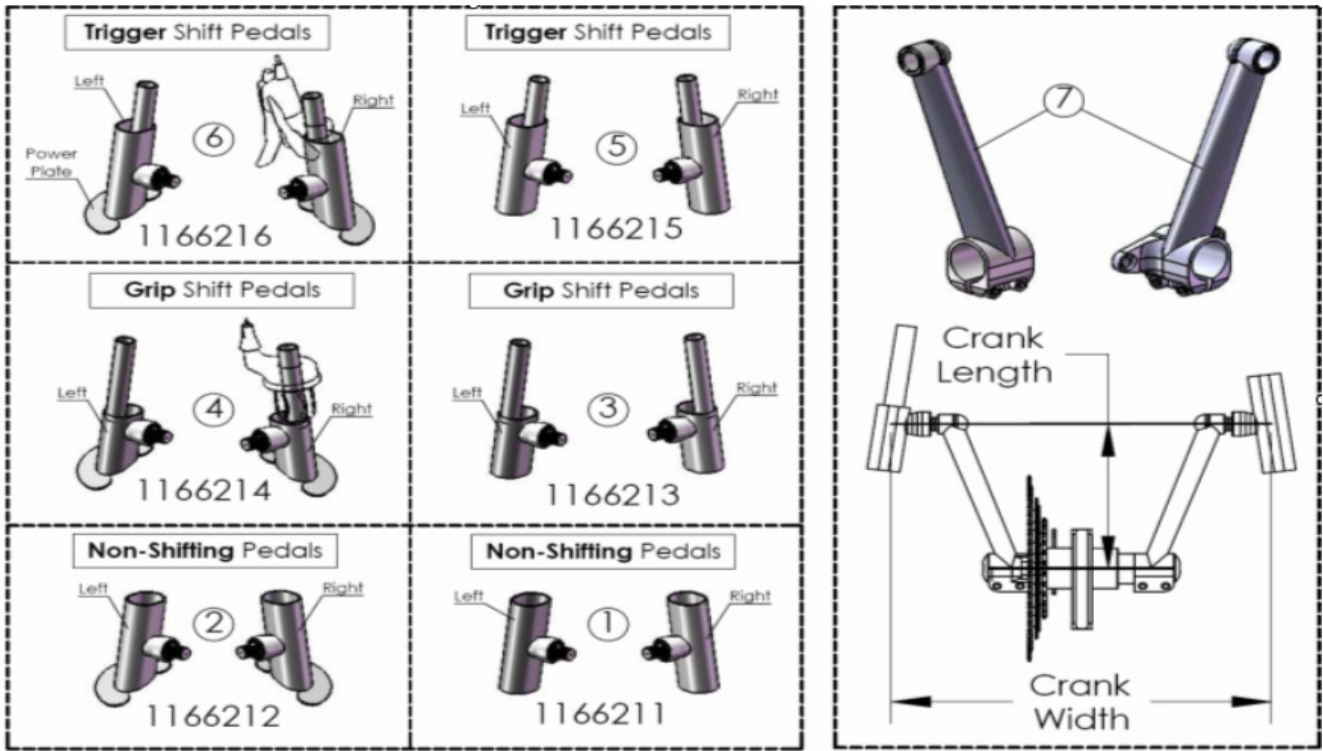
Date:	PO# / Customer#	Ship to <input type="checkbox"/> Customer <input type="checkbox"/> Provider
Provider: _____	Account # _____	Customer: _____
Phone: _____	Fax: _____	Top End Sales Order: _____
		Serial #: _____



ITEM	PART NUMBER	PER BIKE	DESCRIPTION			QTY.
1	1166317	1	RX Frame: <input type="checkbox"/> Carbon Back <input type="checkbox"/> Fixed Back	Force RX Serial # Required:	Page 3 Order form Drawing must be completed.	EA
2	1166473	2	Clamp, Cambertube 1 1/4"			EA
3	1166228	2	Camber Insert, Threaded Axle: <input type="checkbox"/> 0 degree <input type="checkbox"/> 3 degree			EA
4	1139810	1	Clamp, 1" Alloy, single screw			EA
5	1146002	1	Drafting Bumper (includes 2 plugs)			EA
	1139803	2	Plug, 3/4" Black Dome			EA
6	1156741	1	Safety flag holder			EA
7	1166346	1	Headrest Cushion, Black Mesh			EA
8	1166344	1	Back Cushion, Black Mesh (Seat Width: _____)			EA
9	1166512	1	Headset Shaft Assembly (10-3/8" Long) Include 2 Star Nut.			EA
10	1145951	2	Cap, w/Screw M6 x 15 mm			PR
11	1166475	1	Headset, 1-1/8" dia. (Press Fit with item #1166317 Frame)			EA
12	1153156	1	Seat Belt			EA
13	1166397	1	Dampner (Include: BHCS, M8 x 1.25 x 16 mm, SS and Set Screw, M8 x 1.25 x 25mm)			EA
14	1153054	1	Seat Cushion, Black Mesh, (Seat Width: _____)			EA
15	1166348	8	Strap, Cushion Support. (Inside Frame Width Dimemnsion Is Required for each Strap)			EA
16	1166614	1	Bracket, Elbow Shifter Mount Kit, (includes Clamps and Finish Plug) <input type="checkbox"/> Right <input type="checkbox"/> Left			EA
17	1166672	2	Spacer, Carbon Back Mount 2in			EA
18	1153178	2	Link, Crescent Long TE (includes anodizing)			EA
19	1166630	1	Carbon Back, (not available for Fixed Back)			EA
20	1180937	1	Headrest Assy., Carbon Back			EA

Force RX: Pedals and Arms

Date: _____		PO# / Customer# _____		Ship to <input type="checkbox"/> Customer <input type="checkbox"/> Provider	
Provider: _____ Account # _____			Customer: _____		
Phone: _____ Fax: _____			Phone: _____		
				Top End Sales Order: _____	
				Serial #: _____	



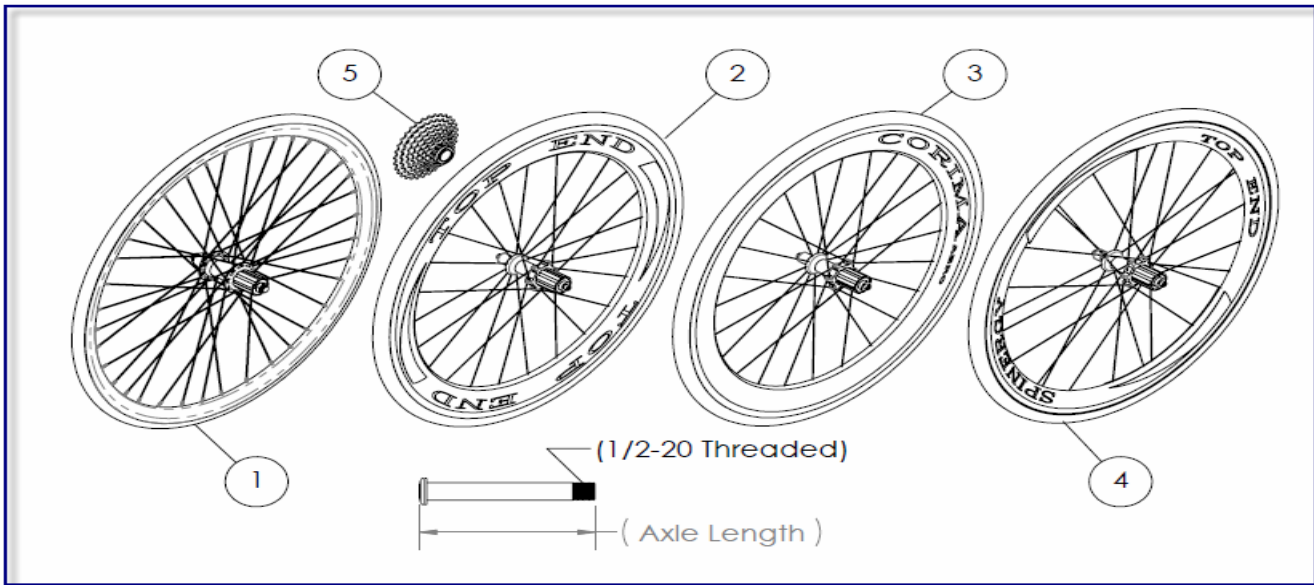
				Pedals and Cranks Assembly			QTY.
ITEM	PART NUMBER	PER BIKE		Pedal Size	Bike Serial #	R or L	
1	1166211	1	Handpedal, Non-Shifting	<input type="checkbox"/> Lg <input type="checkbox"/> Med <input type="checkbox"/> Sm		<input type="checkbox"/> R <input type="checkbox"/> L	EA
2	1166212	1	Handpedal w/ Power Plate, Non-Shifting	<input type="checkbox"/> Lg <input type="checkbox"/> Med <input type="checkbox"/> Sm		<input type="checkbox"/> R <input type="checkbox"/> L	EA
3	1166213	1	Handpedal, Grip Shift	<input type="checkbox"/> Lg <input type="checkbox"/> Med <input type="checkbox"/> Sm		<input type="checkbox"/> R <input type="checkbox"/> L	EA
4	1166214	1	Handpedal w/ Power Plate, Grip Shifting	<input type="checkbox"/> Lg <input type="checkbox"/> Med <input type="checkbox"/> Sm		<input type="checkbox"/> R <input type="checkbox"/> L	EA
5	1166215	1	Handpedal, Trigger Shift	<input type="checkbox"/> Lg <input type="checkbox"/> Med <input type="checkbox"/> Sm		<input type="checkbox"/> R <input type="checkbox"/> L	EA
6	1166216	1	Handpedal w/ Power Plate, Trigger Shift	<input type="checkbox"/> Lg <input type="checkbox"/> Med <input type="checkbox"/> Sm		<input type="checkbox"/> R <input type="checkbox"/> L	EA

			Bike Serial #	Crank Length (mm)	Crank Width (in)			
7	1166217	1	Crank Set, V-Tapper	<input type="checkbox"/> 155 <input type="checkbox"/> 160 <input type="checkbox"/> 165 <input type="checkbox"/> 170 <input type="checkbox"/> 175 <input type="checkbox"/> 180	<input type="checkbox"/> 12 <input type="checkbox"/> 13 <input type="checkbox"/> 14 <input type="checkbox"/> 15 <input type="checkbox"/> 16		PR	
8	1166516	1	Crank Width Extension Set, Adapter (Increases Overall Width by 1-1/4")					PR



Force RX: Wheels Assembly

Date:	PO# / Customer#	Ship to <input type="checkbox"/> Customer <input type="checkbox"/> Provider	
Provider: _____ Account # _____		Customer: _____	Top End Sales Order: _____
Phone: _____ Fax: _____		Phone: _____	Serial #: _____

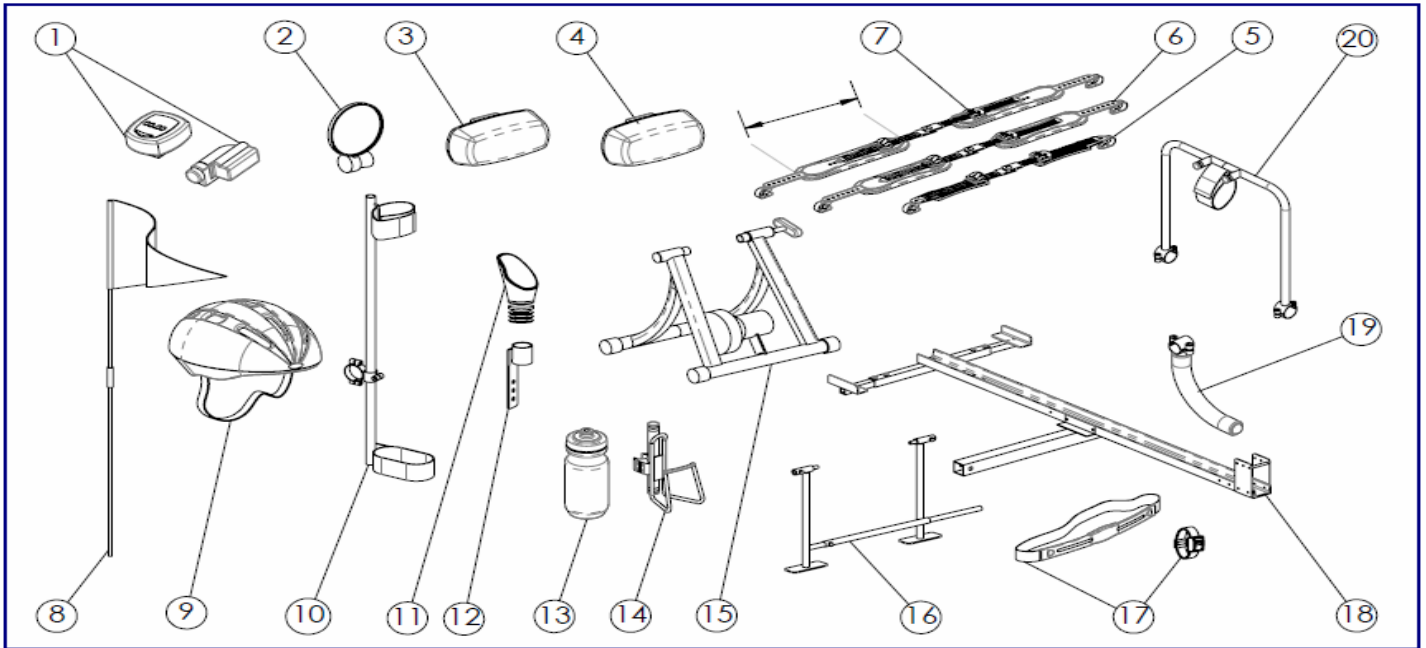


ITEM	PART NUMBER	PER BIKE	DESCRIPTION	QTY.
1	1156776	1	26 In. (571) High Performance Front Wheel (Drive), (Clincher Only) Alex Black Spoke	EA
	1156736	1	26 In. (571) High Performance Front Wheel (Drive), (Clincher Only) Alex Black Spoke, Disk Brake Compatible	EA
	1156778	2	26 In. (571) High Performance Rear Wheel (Non-Drive), (Clincher Only) Alex Black Spoke (Axle Not Included)	EA
	1166462	2	Threaded Axle, Standard Non-Drive (3 1/4") Alex	EA
2	1166260	1	26 In. (571) Top End Carbon Fiber Front Wheel (Drive), Tubular	EA
	1166261	2	26 In. (571) Top End Carbon Fiber Rear Wheel (Non-Drive), Tubular (Axle not included)	EA
	1166246	2	Threaded Axle, Carbon Fiber (3 3/4")	EA
	RACE66	2	26 In. (571) Zipp Carbon Fiber Disc Rear Wheel (Tubular), w/built in Axle.	EA
3	1156724	1	26 In. (571) Corima AERO, Front wheel assembly, (Tubular Only)	EA
	1156771	2	26 In. (571) Corima AERO Front Wheel (Drive), (Tubular Only) Disk Brake Compatible	EA
	1156725	2	26 In. (571) Corima AERO w/threaded axle, Rear wheel assembly, (Tubular Only) Built in Axle	EA
4	1166385	1	26 In. (571) Spinergy Front Wheel (Drive), (Clincher only)	EA
	1166386	2	26 In. (571) Spinergy Rear Wheel (Non-Drive) with Threaded Axle (Clincher only)	EA
5	1166331	1	Cassette, 11-36, 10 Speed (Standard)	EA
	1166505	1	Cassette, 11-28, 10 Speed	EA
	1060149	3	Tire, 26" Hi-Performance Clincher	EA
	1156680	3	Tire, 26" Continental Grand Prix 4000 clincher	EA
	1060160	3	Tube 26" (Hi-Performance), Standard Stem	EA
	1139820	3	Tube 26" (Hi-Performance), Long Stem (Spinergy)	EA
	1061213	3	26 In. Rim Strip	EA
	RACE31	3	Tire, Tubular Tufo Jet Special	EA
	1166472	3	Tire, 26" Continental Sprinter, Tubular	EA



Force RX Accessories

Date: _____	PO# / Customer# _____	Ship to <input type="checkbox"/> Customer <input type="checkbox"/> Provide	
Provider: _____ Account # _____		Customer: _____	Top End Sales Order: _____
Phone: _____ Fax: _____		Phone: _____	Serial #: _____



ITEM	PART NUMBER	PER BIKE	DESCRIPTION	QTY.
1	1056875	1	Cordless Computer	EA
2	1068722	1	Mirror, Footrest Mount	EA
3	1068721	1	Front Safety Light (clear)	EA
4	1060841	1	Rear Safety Light (red)	EA
5	1152963	1	Click Strap Set, 8" (small)	EA
6	1152964	1	Click Strap Set 10" (medium)	EA
7	1152965	1	Click Strap Set 12" (large)	EA
8	1060642	1	Safety flag (not included Flag Holder p/n 1156741)	EA
9	1060639	1	Helmet: <input type="checkbox"/> Small <input type="checkbox"/> Medium <input type="checkbox"/> Large	EA
10	1068723	1	Crutch Holder, Indicated Bike Model and serial #)	EA
11	1153045	1	Mirror, Handle Mount	EA
12	1166628	1	Bracket, Chainguard Mount (include: two Screw, #10-32 x 1/2")	EA
13	1166517	1	Water Bottle	EA
14	1068718	1	Water Bottle, Cage and Hardware (Indicated Bike Model)	PR
15	1116580	1	Indoor Training Roller	EA
	XLT86	1	LeMond Revolution trainer w/power meter	EA
	XLY87	1	LeMond Revolution trainer	EA
16	1109717	1	Alignment Guage	EA
17	1139799	1	Heart Monitor (Chest Strap and Watch)	EA
18	1068771	1	Bike Rack for trailer hitch Receiver Size: <input type="checkbox"/> 1-1/4" (std) <input type="checkbox"/> 2"	EA
19	1166379	1	Support Curve Leg, Kit	EA
20	1068720	1	Tow Bar for wheel chair	EA
	1065268	1	Leg Guard Attachment	EA
	1060798	1	Backpack Hydration System	EA
	1166518	1	Tool and Tire Repair Kit	EA
	RACE4	1	Wheel Bag (fit 3 700c Wheels)	EA
	RACE20	1	Handcycle Travel Bag	EA
	RACE13	1	Top End Racing Jersey, Short Sleeve <input type="checkbox"/> L <input type="checkbox"/> XL	EA
	RACE22	1	T-Shirt with Top End Logo, <input type="checkbox"/> L <input type="checkbox"/> XL	EA