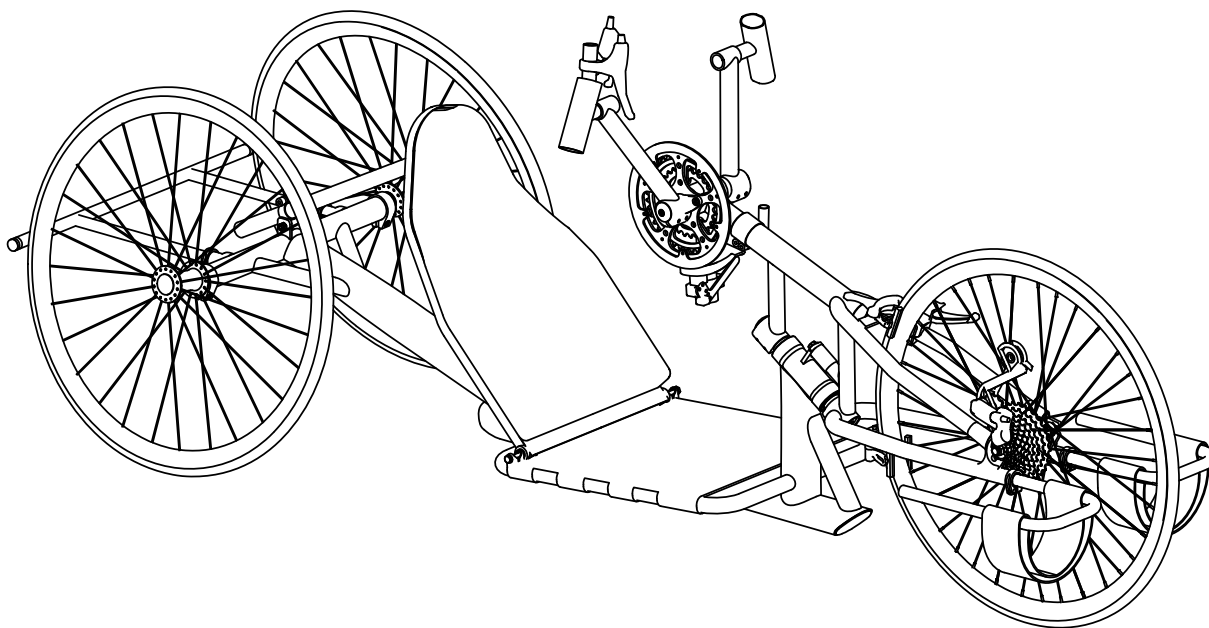




Sports and Recreation Products  
4501 63rd Circle North  
Pinellas Park, FL 33781  
(800) 532-8677 (727) 522-8677  
Fax: (727)522-1007

---

# Invacare Top End Parts Catalog Force





Sports and Recreation Products  
 4501 63rd Circle North  
 Pinellas Park, FL 33781  
 (800) 532-8677 (727) 522-8677  
 Fax: (727)522-1007

# Parts Order Diagram

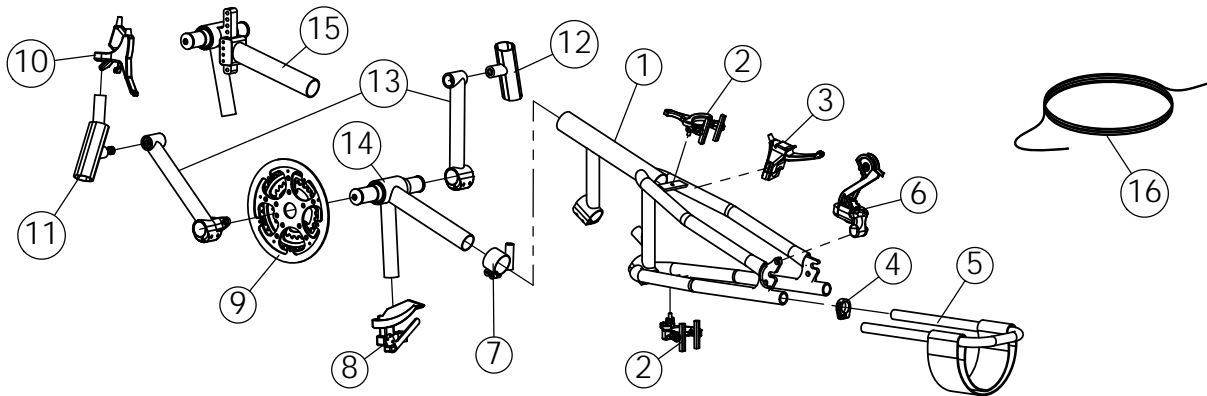
## Force

## Fork Assembly

Date: \_\_\_\_\_ P.O./Customer#: \_\_\_\_\_ Ship to  Customer  Provider Part Tracking#: \_\_\_\_\_ (TOP END Use Only)

<b>Provider</b> _____	<b>Acct#</b> _____
Address _____	Suite _____
City _____	State _____ Zip _____
Work Phone (_____) _____	Fax _____
Cell Phone (_____) _____	
E-mail _____	

<b>Customer</b> _____
Address _____ Apt. _____
City _____ State _____ Zip _____
Home Phone (_____) _____
Cell Phone (_____) _____
E-mail _____



ITEM NO.	PART NUMBER	PER BIKE	DESCRIPTION	ORDER QTY	
1	1145998	1	Fork, Force (includes: (4) bolts)		EA
2	1139809	2	Brake caliper for High-Performance tire, 27 spd		EA
	1153109	1	Brake Caliper, Cane Creek with Titanium Hardware		EA
3	1060291	1	Parking Brake Lever		EA
4	1139810	2	Clamp, 1", Single bolt		EA
5	1146012	2	Handcycle Leg Support (3/4") w/ Strap	<input type="checkbox"/> Right <input type="checkbox"/> Left	EA
6	1054246	1	Front Wheel Derailleur		EA
7	1146020	1	Clamp / Cable Guide with hardware (includes: (2) bolts)		EA
8	1139745	1	Manual Derailleur Assembly (includes: (1) derailleur, (1) lever, and hardware)		EA
9	1127941	1	Chainring Assembly, 48-40-28		EA
	1139806	1	Chainring Assembly, 53-40		EA
10	1116536	1	RapidFire shifter RH, 27SPD		EA
	1156682	1	SRAM Grip Shifter		EA
	1153107	1	SRAM Trigger Shifter		EA
	1156684	1	Brake Lever, Paul Component		EA
11	1127905	1	Handpedal, Right w/ RapidFire mount post	Power Plates: <input type="checkbox"/> Yes <input type="checkbox"/> No	EA
12	1127936	1	Handpedal, (w/o mount post)	Power Plates: <input type="checkbox"/> Yes <input type="checkbox"/> No <input type="checkbox"/> Rt <input type="checkbox"/> Lt	EA
	1127906	1	Handpedal, Left w/ RapidFire mount post	Power Plates: <input type="checkbox"/> Yes <input type="checkbox"/> No	EA
	1109795	4	Bearing, Handpedal (7/8"x3/8"x9/32")		EA
13	1127943	1	V Crank Arm Assembly	Width (mm): <input type="checkbox"/> 170 <input type="checkbox"/> 180 <input type="checkbox"/> 190 <input type="checkbox"/> 200 Length (in): <input type="checkbox"/> 18 <input type="checkbox"/> 20 <input type="checkbox"/> 22	EA
14	1153104	1	Crank Assy, Diagonal Adj. only	Shaft Length: <input type="checkbox"/> 6.75 <input type="checkbox"/> 7.25	EA
15	1153055	1	Crank Assy, Diagonal and Vertical Adj.	Shaft Length: <input type="checkbox"/> 6.75 <input type="checkbox"/> 7.25	EA
	1127921	4	Bearing, Crank		EA
16	1146014	1	Cable and Housing, for Parking Brake		EA
	1146015	1	Cable and Housing, for Hand Brake		EA
	1146016	1	Cable and Housing, for Rapidfire Shifter		EA
	1058198	1	Housing, Shifter		EA
	1156685	1	Chain, Hollow Pin, SRAM (includes 2 packages)		EA



Sports and Recreation Products  
 4501 63rd Circle North  
 Pinellas Park, FL 33781  
 (800) 532-8677 (727) 522-8677  
 Fax: (727)522-1007

# Parts Order Diagram

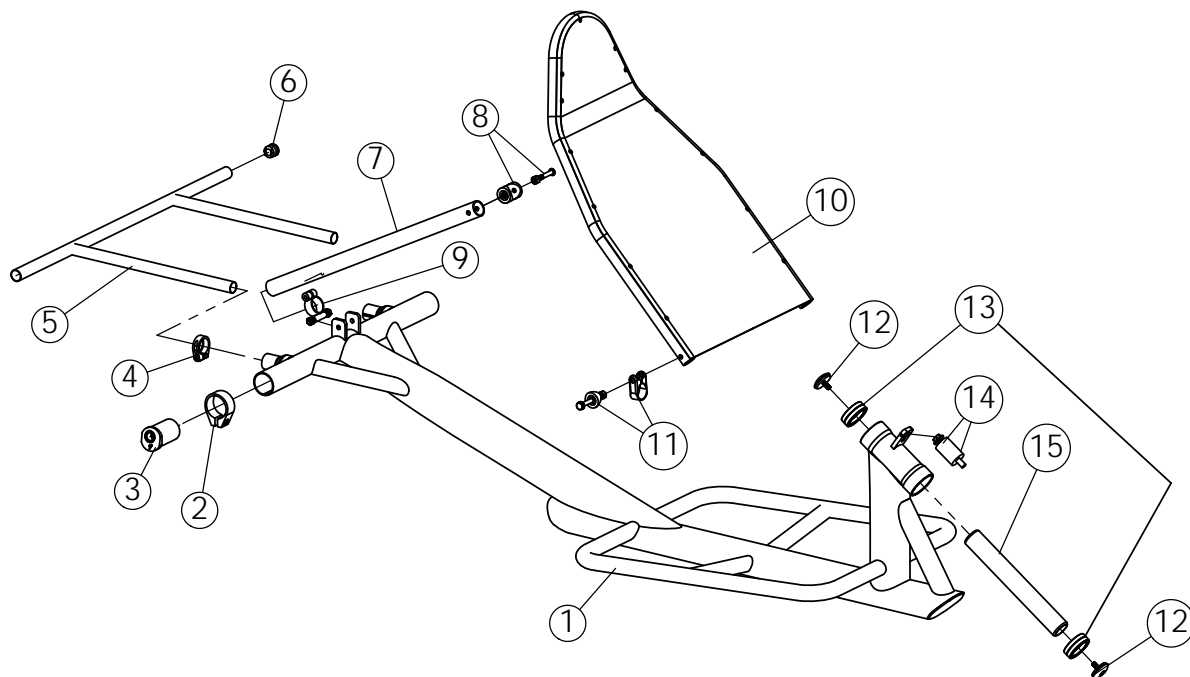
## Force

## Frame Assembly

Date: \_\_\_\_\_ P.O./Customer#: \_\_\_\_\_ Ship to  Customer  Provider Part Tracking#: \_\_\_\_\_  
(TOP END Use Only)

<b>Provider</b> _____	<b>Acct#</b> _____
Address _____	Suite _____
City _____	State _____ Zip _____
Work Phone (_____) _____	Fax _____
Cell Phone (_____) _____	
E-mail _____	

<b>Customer</b> _____
Address _____ Apt. _____
City _____ State _____ Zip _____
Home Phone (_____) _____
Cell Phone (_____) _____
E-mail _____



ITEM NO.	PART NUMBER	PER BIKE	DESCRIPTION			ORDER QTY
1	1146011	1	Frame, Force	Seat Width: <input type="checkbox"/> 14" <input type="checkbox"/> 15" <input type="checkbox"/> 16" <input type="checkbox"/> 17" <input type="checkbox"/> 18"	Wheel Base: <input type="checkbox"/> 60" (std) <input type="checkbox"/> 57"	EA
2	1060882	2	Camber Clamp (with screw)			EA
3	1061179	2	Camber Insert, Threaded Axle <input type="checkbox"/> 3 degree <input type="checkbox"/> 9 degree			EA
	1068760	2	Camber Insert, Quick Release <input type="checkbox"/> 3 degree <input type="checkbox"/> 9 degree			EA
4	1139810	2	Clamp, 1" Alloy, single screw			EA
5	1146002	1	Draft Bumper			EA
6	1139803	2	Plug, 3/4" Black Dome			EA
7	1145958	1	Tube, Adjustable Back Support			EA
8	1146019	1	Hardware, Adj Back Support (includes (2) bolts, (2) nuts, (2) saddle)			EA
9	1153145	1	Pivot Clamp w/ Hardware (incl. (2) bolts, (1) washer, (1) clamp)			EA
10	1145952	1	Backrest, Force	Seat Width: <input type="checkbox"/> 14" <input type="checkbox"/> 15" <input type="checkbox"/> 16" <input type="checkbox"/> 17" <input type="checkbox"/> 18"		EA
11	1146022	1	Hardware, Backrest (includes (2) bolts, (2) nuts, (2) 1" clamps, (2) saddles)			PR
12	1153051	2	Cap and Screw			EA
13	1153108	1	Bearing Kit Fork (includes: 4 bearings)			EA
14	1146018	1	Dampner with hardware			EA
15	1146023	1	Shaft Assembly, Force Headset			EA



Sports and Recreation Products  
 4501 63rd Circle North  
 Pinellas Park, FL 33781  
 (800) 532-8677 (727) 522-8677  
 Fax: (727)522-1007

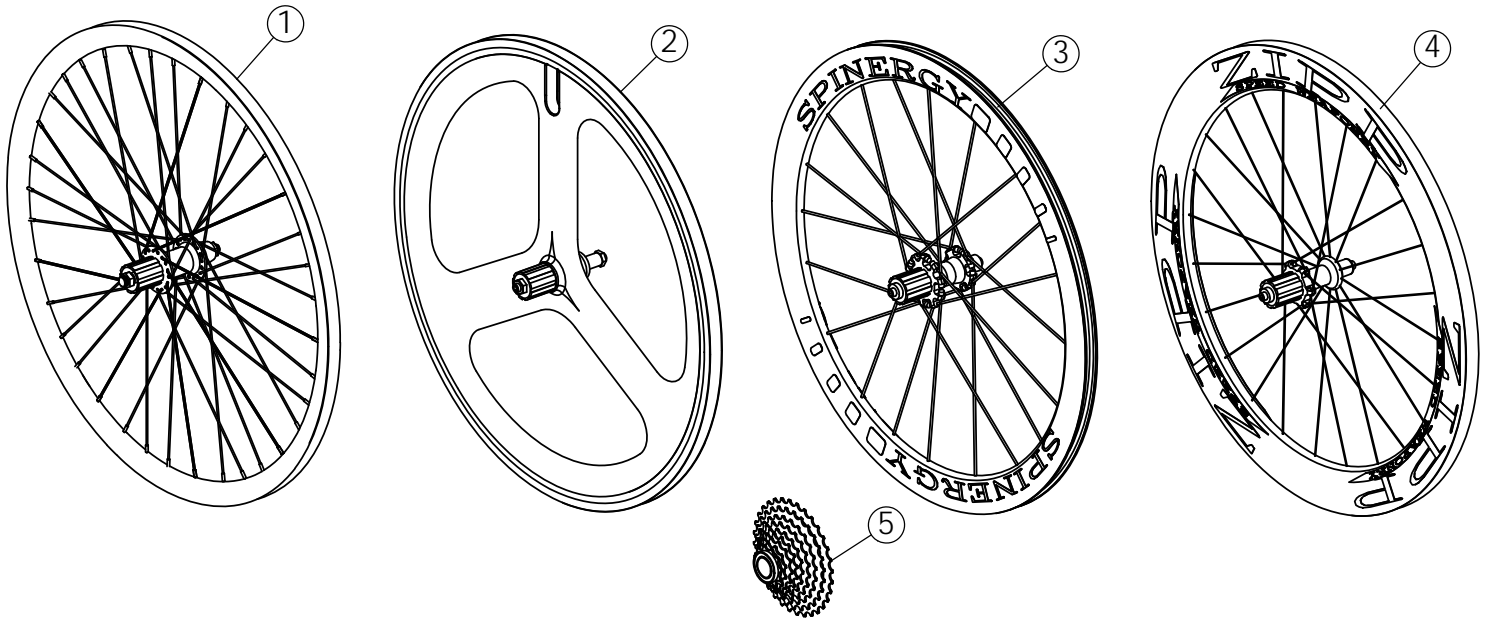
# Parts Order Diagram

## Force Wheels

Date: \_\_\_\_\_ P.O./Customer#: \_\_\_\_\_ Ship to  Customer  Provider Part Tracking#: \_\_\_\_\_  
(TOP END Use Only)

<b>Provider</b> _____	<b>Acct#</b> _____
Address _____	Suite _____
City _____	State _____ Zip _____
Work Phone (_____) _____	Fax _____
Cell Phone (_____) _____	
E-mail _____	

<b>Customer</b> _____
Address _____ Apt. _____
City _____ State _____ Zip _____
Home Phone (_____) _____
Cell Phone (_____) _____
E-mail _____



Item No	Part No	Description	Tire Style	Quantity	
1	1139801	26 In. (571) High Performance Front Wheel (Drive)	Clincher Only		EA
	1059578	26 In. (571) High Performance Rear Wheel (non-Drive, Quick Release Axle (not included)	Clincher Only		EA
	1059573	26 In. (571) High Performance Rear Wheel (Non-Drive), Threaded Axle	Clincher Only		EA
2	1059529	26 In. (571) Tri-Spoke Carbon Fiber Front Wheel (Drive)	<input type="checkbox"/> Tubular <input type="checkbox"/> Clincher		EA
	1060695	26 In. (571) Tri-Spoke Carbon Fiber Rear Wheel (Non-Drive), Threaded Axle	<input type="checkbox"/> Tubular <input type="checkbox"/> Clincher		EA
3	1116584	26 In. (571) Spinergy Front Wheel (Drive)	Clincher Only		EA
	1116583	26 In. (571) Spinergy Rear Wheel (Non-Drive), Threaded Axle	Clincher Only		EA
4	1146009	26 In. (571) 404 Zipp Front Wheel (Drive)	<input type="checkbox"/> Tubular <input type="checkbox"/> Clincher		EA
	1146010	26 In. (571) 404 Zipp Rear Wheel (Non-Drive), Threaded Axle	<input type="checkbox"/> Tubular <input type="checkbox"/> Clincher		EA
5	1054251	27 Speed Cassette Cluster	XXXXXXX		EA
	1153052	SRAM Cassette, 11-32	XXXXXXX		EA
	1153107	SRAM Cassette, 12-26	XXXXXXX		EA
	1060149	Tire 26" (571) Hi-Performance Clincher	XXXXXXX		EA
	1060160	Tube 26" (571) (Hi-Performance), Standard Stem	XXXXXXX		EA
	1139820	Tube 26" (571) (Hi-Performance), Long Stem (Spinergy & Zipp only)	XXXXXXX		EA
	RACE31	Tire, Tubular Tufo Jet Special	XXXXXXX		EA
	1061213	26 In. Rim Strip	XXXXXXX		EA



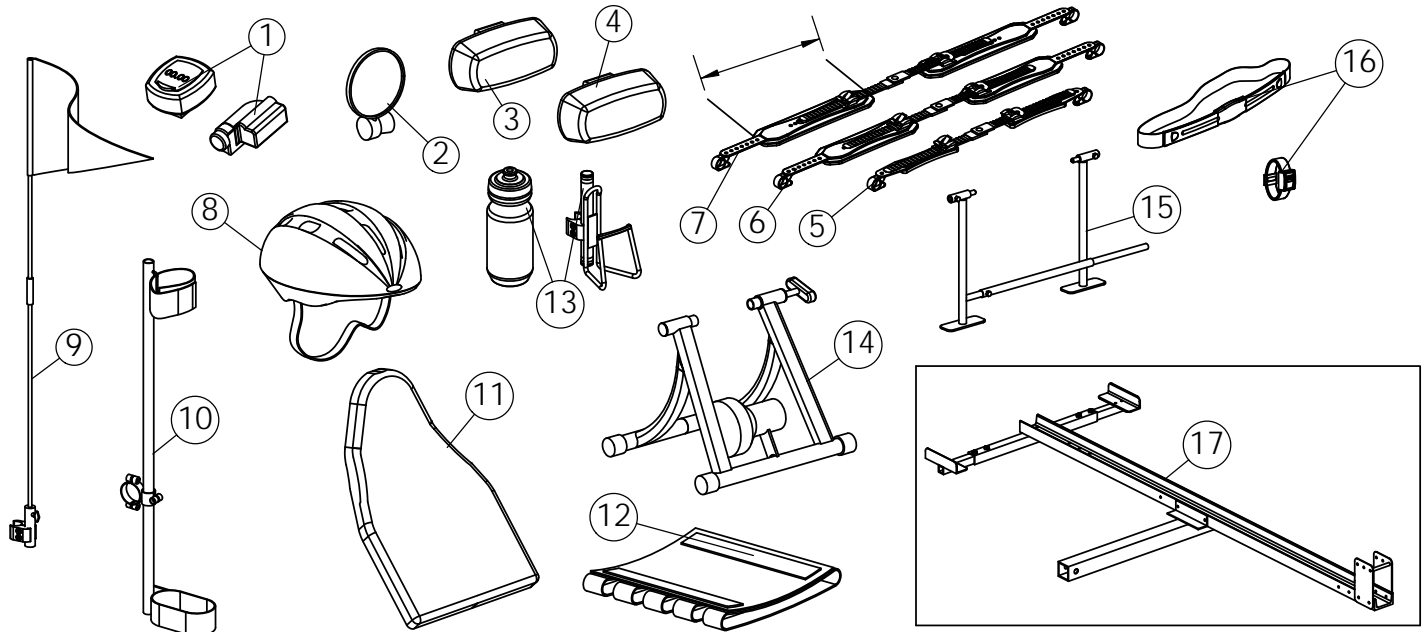
Sports and Recreation Products  
 4501 63rd Circle North  
 Pinellas Park, FL 33781  
 (800) 532-8677 (727) 522-8677  
 Fax: (727)522-1007

# Parts Order Diagram Force Accessories

Date: \_\_\_\_\_ P.O./Customer#: \_\_\_\_\_ Ship to  Customer  Provider Part Tracking#: \_\_\_\_\_  
(TOP END Use Only)

**Provider** \_\_\_\_\_ **Acct#** \_\_\_\_\_  
 Address \_\_\_\_\_ Suite \_\_\_\_\_  
 City \_\_\_\_\_ State \_\_\_\_\_ Zip \_\_\_\_\_  
 Work Phone (\_\_\_\_\_) \_\_\_\_\_ Fax \_\_\_\_\_  
 Cell Phone (\_\_\_\_\_) \_\_\_\_\_  
 E-mail \_\_\_\_\_

**Customer** \_\_\_\_\_  
 Address \_\_\_\_\_ Apt. \_\_\_\_\_  
 City \_\_\_\_\_ State \_\_\_\_\_ Zip \_\_\_\_\_  
 Home Phone (\_\_\_\_\_) \_\_\_\_\_  
 Cell Phone (\_\_\_\_\_) \_\_\_\_\_  
 E-mail \_\_\_\_\_



ITEM NO.	PART NUMBER	PER CHAIR	DESCRIPTION		ORDER QTY	
1	1056875	1	Cordless Computer			EA
2	1068722	1	Mirror			EA
3	1068721	1	Front Safety Light (clear)			EA
4	1060841	1	Front Safety Light (red)			EA
5	1152963	1	Click Strap Set, 8" (small)			EA
6	1152964	1	Click Strap Set 10" (medium)			EA
7	1152965	1	Click Strap Set 12" (large)			EA
8	1060639	1	Helmet <input type="checkbox"/> Small <input type="checkbox"/> Medium <input type="checkbox"/> Large			EA
9	1063516	1	Safety flag with mounting hardware			EA
10	1068723	1	Crutch Holder			EA
11	1146008	1	Back Cushion	Seat Width: <input type="checkbox"/> 14 <input type="checkbox"/> 15 <input type="checkbox"/> 16 <input type="checkbox"/> 17 <input type="checkbox"/> 18 <input type="checkbox"/> Black <input type="checkbox"/> Camouflage		EA
12	1127963	1	Seat Upholstery	Seat Width: <input type="checkbox"/> 14 <input type="checkbox"/> 15 <input type="checkbox"/> 16 <input type="checkbox"/> 17 <input type="checkbox"/> 18 <input type="checkbox"/> Black <input type="checkbox"/> Camouflage		EA
	1054272	1	Seat Cushion	Seat Width: <input type="checkbox"/> 14 <input type="checkbox"/> 15 <input type="checkbox"/> 16 <input type="checkbox"/> 17 <input type="checkbox"/> 18 <input type="checkbox"/> Black <input type="checkbox"/> Camouflage		EA
13	1068718	1	Water Bottle & Cage			EA
14	1116580	1	Indoor Training Roller			EA
15	1109717	1	Alignment Guage			EA
16	1139799	1	Heart Monitor (Chest Strap and Watch)			EA
17	1068771	1	Bike Rack for trailer hitch <input type="checkbox"/> 1-1/4" (std) <input type="checkbox"/> 2"			EA