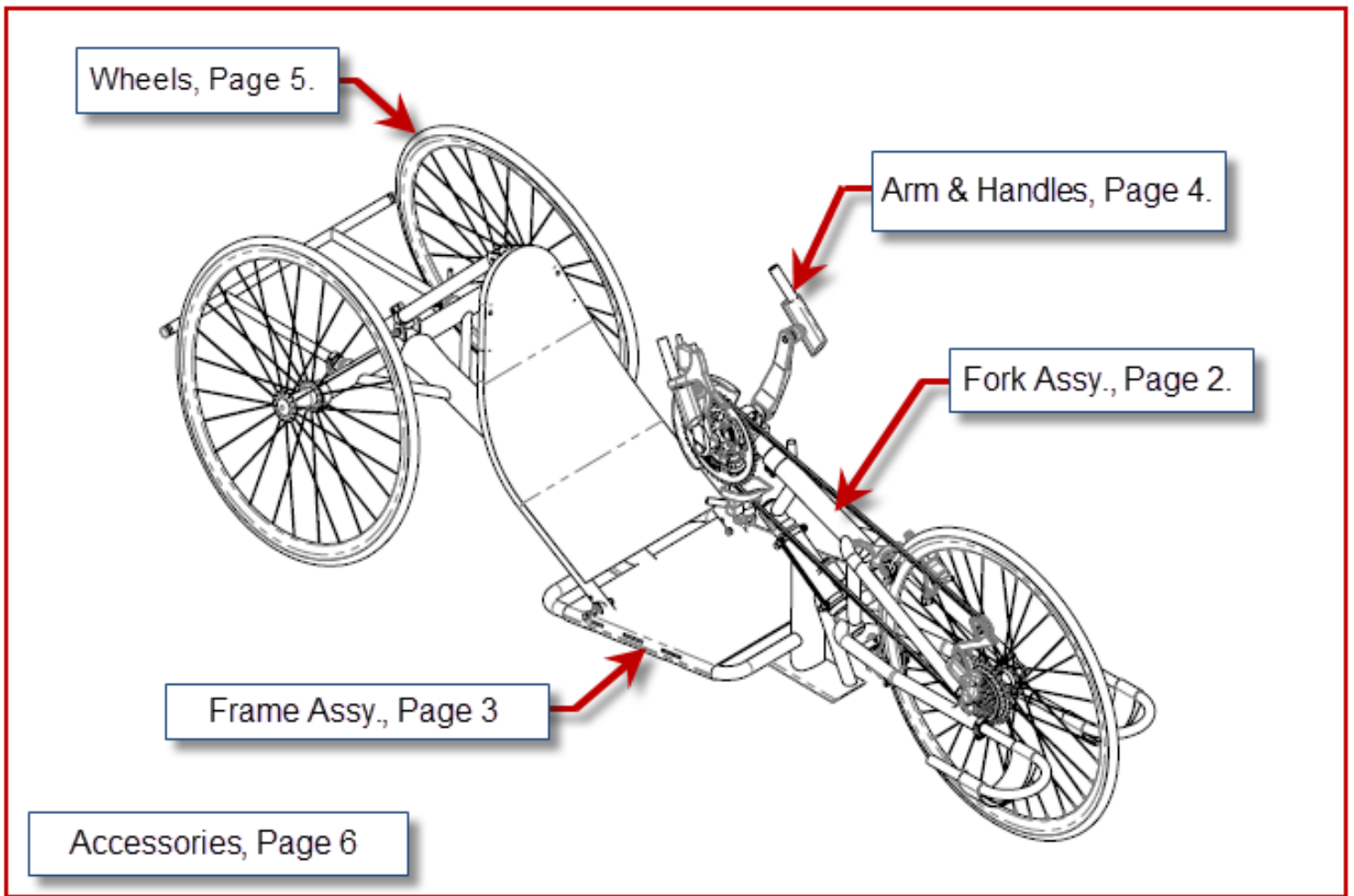




Sports and Recreation Products
4501 63rd Circle North
Pinellas Park, FL 33781
(800) 532-8677 (727) 522-8677
Fax: (727)522-1007

Invacare Top End Parts Catalog Force 2





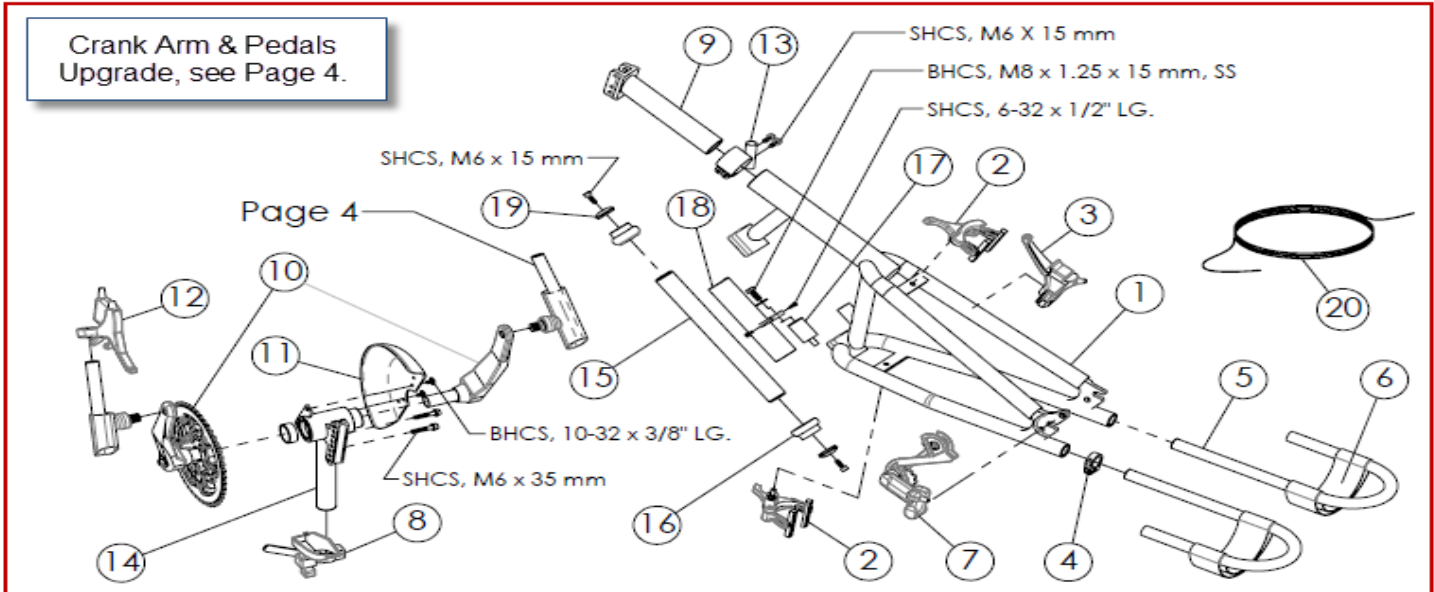
Invacare Top End Sports and Recreation Products

(800) 532-8677 (727) 522-8677 fax: (727) 522-1007

Parts Order Diagram:

Force 2: Fork Assembly

Date:	PO#:	SO#:
Bill To:	Ship To:	
Quote #:	Phone:	Serial #:



ITEM	PART NUMBER	PER BIKE	DESCRIPTION	QTY.	
1	1166391	1	Fork, Force 2 (incl: fork, 4 bolts) -Serial# Required- <input type="checkbox"/> Red <input type="checkbox"/> Blue		EA
2	1127940	2	Brake Caliper for High Performance Tire, 27 Spd, Cane Creek SCR-3		EA
	1166463	2	Replacement Brake Pads for Standard Metal Rim Wheel		PR
	1139823	2	Replacement Brake Pads for Carbon Fiber Rim Wheels		PR
3	1060291	1	Parking Brake Lever		EA
4	1139810	2	Clamp, 1", Single bolt		EA
5	1153042	2	Handcycle Leg Support, (3/4") w/Strap, <input type="checkbox"/> Left <input type="checkbox"/> Right Note: Original-Black, Replacement-Silver		EA
6	1060650	2	XLT Footrest Strap		EA
7	1054246	1	Shimano XT Derailleur (Front Wheel)		EA
8	1139745	1	Manual Derailleur Assembly (incl: derailleur, lever, and hardware)		EA
9	1153228	1	Crank Assembly/Fork connecting Tube		EA
10	1166394	1	Chainring (48-36-26T) and Crank Arm (175mm) Assembly		EA
	1057052	1	Standard Chain, 154 Links, (Ref. to Chainring Assy.)		EA
11	1156773	1	Chainring Guard, Solid		EA
12	1127946	1	RapidFire Shifter/Brake Lever RH, 27 speed		EA
13	1146020	1	1-3/8" Clamp, with Cable Guide		EA
14	1166393	1	Crank Assy., Vertical Adj. only, (Threaded Bottom Bracket)		EA
15	1166395	1	Headset Shaft Assembly (11" Long) Includes 2 Star Nuts		EA
16	1166475	1	Headset, 1-1/8 Bushing and Bearing		EA
17	1166397	1	Dampner (Include: BHCS, M8 x 1.25 x 16 mm, SS and Set Screw, M8 x 1.25 x 25mm)		EA
18	1166396	1	Removable Headset Cover		EA
19	1145951	2	Cap, with Screw M6 x 15 mm		EA
20	1146014	1	Cable and Housing, for Parking Brake		EA
	1146015	1	Cable and Housing, for Hand Brake		EA
	1146016	1	Cable and Housing for Shifter (Indicate Shifter Type)		EA



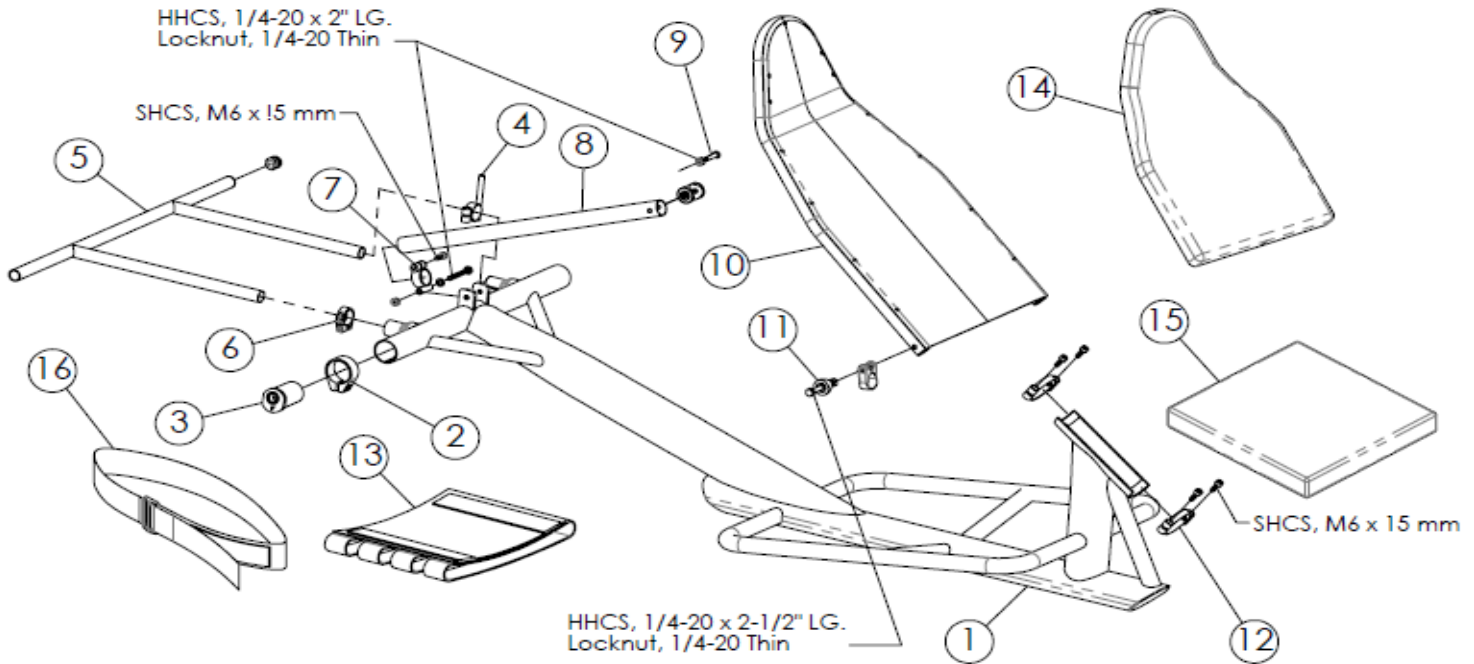
Invacare Top End Sports and Recreation Products

(800) 532-8677 (727) 522-8677 fax: (727) 522-1007

Parts Order Diagram:

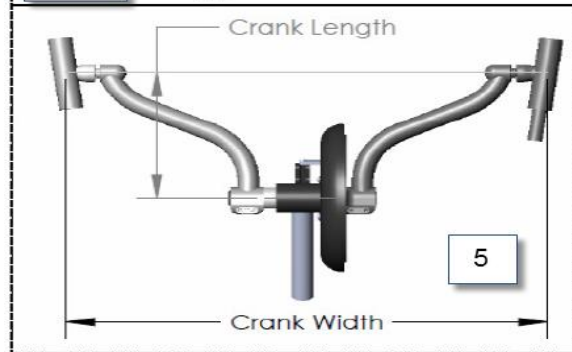
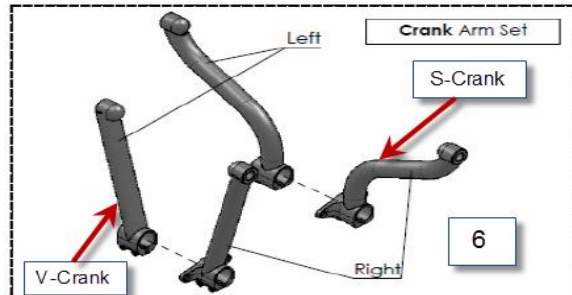
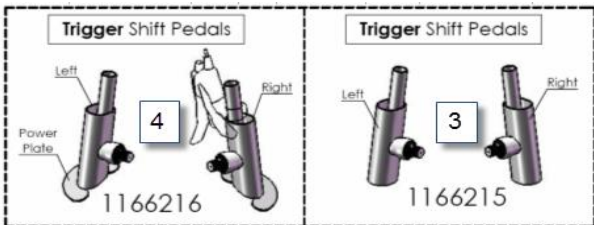
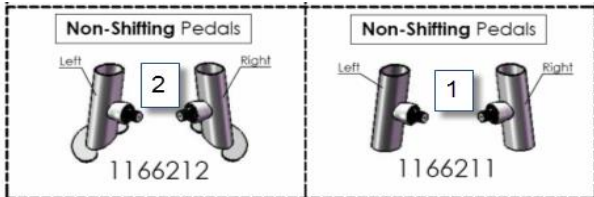
Force 2: Frame Assembly

Date:	PO#:	SO#:
Bill To:	Ship To:	
Quote #:	Phone:	Serial #:



ITEM	PART NUMBER	PER BIKE	DESCRIPTION		QTY.	
1	1166390	1	Frame, Force 2	Serial # Required: -Wheel Base, 60" Std	Seat Width: <input type="checkbox"/> 15" Red <input type="checkbox"/> 17" Blue	EA
2	1060882	2	Camber Clamp (with screw)			EA
3	1061179	2	Camber Insert, Threaded Axle, 9 degree			EA
4	1156741	1	Safety flag holder, (will not hold original Flag with orange Pole)			EA
5	1146002	1	Drafting Bumper (includes 2 plugs)			EA
	1139803	2	Plug, 3/4" Black Dome (use with drafting bumper)			EA
6	1139810	1	Clamp, 1" Alloy, single screw			EA
7	1153145	1	Pivot Clamp with hardware (included 2 bolts, 1 nut, 2 Washers)			EA
8	1145958	1	Adjustable Back Support Tube			EA
9	1146019	1	Hardware, Upper Adjustable Back Support Tube			EA
10	1145952	1	Backrest, Force 2	Serial # Required:	Seat Width: 15 or 17 (add)	EA
11	1146022	1	Hardware, Lower Backrest (Set of 2 Assemblies)			PR
12	1166399	2	Removable Headset Clamp			EA
13	1127963	1	Seat Upholstery, Black	Seat Width: <input type="checkbox"/> 15" <input type="checkbox"/> 17"		EA
14	1146008	1	Back Cushion, Black	Seat Width: <input type="checkbox"/> 15" <input type="checkbox"/> 17"		EA
15	1166508	1	Seat Cushion, Black	Seat Width: <input type="checkbox"/> 15" <input type="checkbox"/> 17"		EA
16	1109772	1	Seat Belt	Seat Width: <input type="checkbox"/> 15" <input type="checkbox"/> 17"		EA

	Invacare Top End Sports and Recreation Products		Parts Order Diagram:	
	(800) 532-8677 (727) 522-8677 fax: (727) 522-1007		Force 2: Pedals and Arms	
Date:	PO#:	SO#:		
Bill To:		Ship To:		
Quote #:	Phone:	Serial #:		



ITEM	PART NUMBER	PER BIKE	Pedals and Cranks					QTY.	
			Pedal Size	Bike Serial #	R or L	Dot?			
1	1166211	1	Handpedal, Non-Shifting <input type="checkbox"/> Lg <input type="checkbox"/> Med <input type="checkbox"/> Sm		<input type="checkbox"/> R <input type="checkbox"/> L	Yes		EA	
2	1166212	1	Handpedal w/ Power Plate, Non-Shifting <input type="checkbox"/> Lg <input type="checkbox"/> Med <input type="checkbox"/> Sm		<input type="checkbox"/> R <input type="checkbox"/> L	Yes		EA	
3	1166215	1	Handpedal, Trigger Shift <input type="checkbox"/> Lg <input type="checkbox"/> Med <input type="checkbox"/> Sm		<input type="checkbox"/> R <input type="checkbox"/> L	Yes		EA	
4	1166216	1	Handpedal w/ Power Plate, Trigger Shift <input type="checkbox"/> Lg <input type="checkbox"/> Med <input type="checkbox"/> Sm		<input type="checkbox"/> R <input type="checkbox"/> L	Yes		EA	

Crank Conversion Kits			Bike Serial #	Crank Length (mm)	Crank Width (in)	Chainring	
5	1166392	1	Conversion Kit, V-Style (All parts shown are included)	<input type="checkbox"/> 180 <input type="checkbox"/> 190	<input type="checkbox"/> 20	48-39-24	EA
	1166414	1	Conversion Kit, S-Style (All parts shown are included)	<input type="checkbox"/> 180 <input type="checkbox"/> 190	<input type="checkbox"/> 22 <input type="checkbox"/> 24	48-39-24	EA

Crank Replacement			Bike Serial #	Crank Length (mm)	Crank Width (in)	Groove?		
6	1166282	1	S-Crank Arm, Set	<input type="checkbox"/> 200 <input type="checkbox"/> 210	<input type="checkbox"/> 22 <input type="checkbox"/> 24	Yes	EA	
	1166217	1	V-Crank Arm, Set	<input type="checkbox"/> 180 <input type="checkbox"/> 190	<input type="checkbox"/> 20	Yes	EA	
7	1166516	1	Crank Width Extension Set, Adapter (Increase Overall Width by 1-1/4")					PR



Invacare Top End Sports and Recreation Products

(800) 532-8677 (727) 522-8677 fax: (727) 522-1007

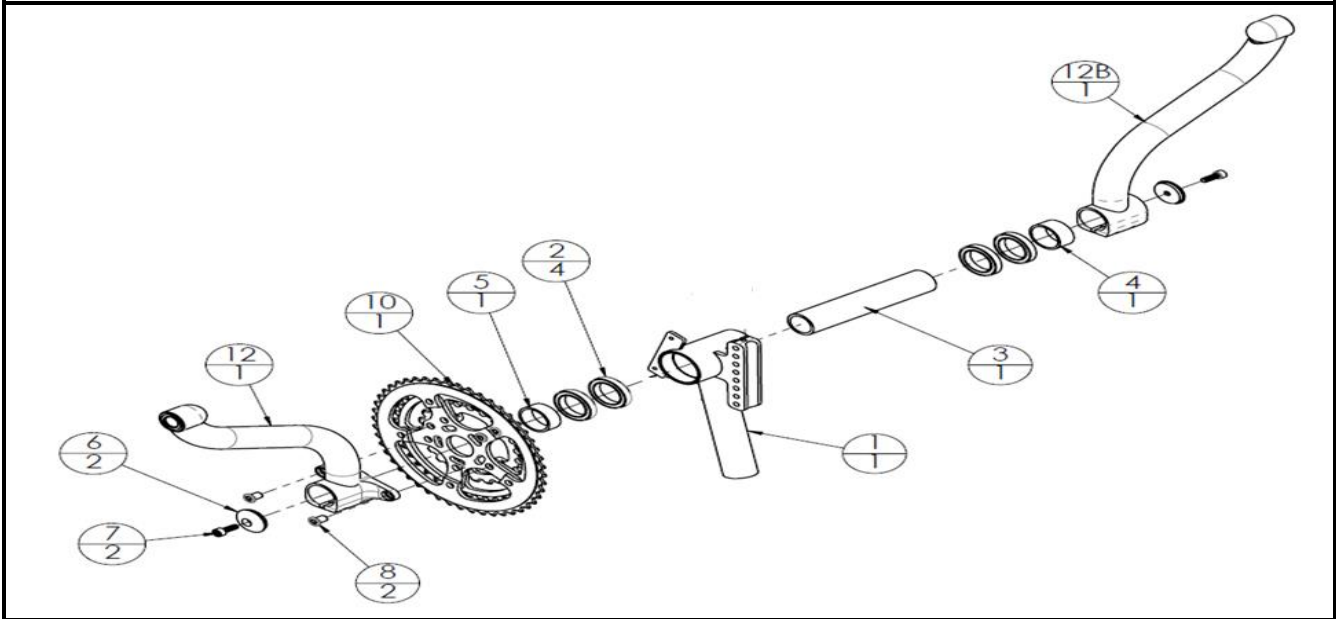
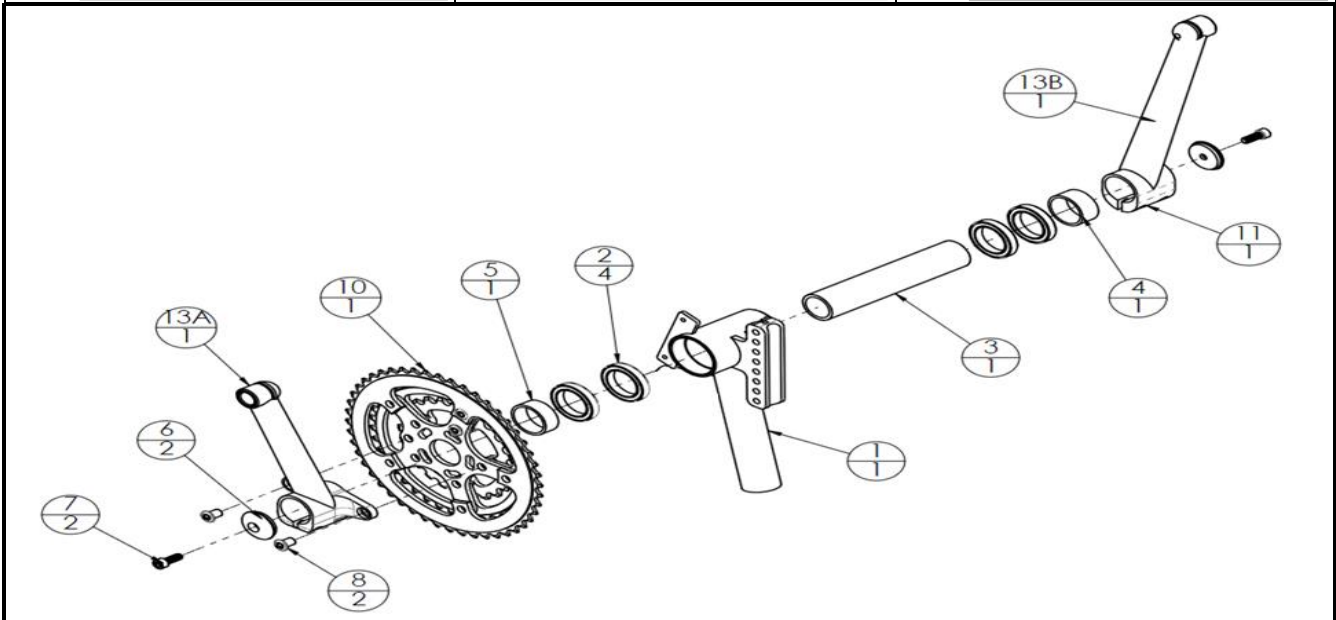
Parts Order Diagram:

Force 2: Top End Cranks

Date: _____ PO#: _____ SO#: _____

Bill To: _____ Ship To: _____

Quote #: _____ Phone: _____ Serial #: _____



ITEM	PART NUMBER	PER BIKE	DESCRIPTION	QTY.	
1	1153310	1	Adjustable Height Crank Housing <input type="checkbox"/> Manual Derailleur <input type="checkbox"/> Cable Driven		EA
2	1127921	4	Crank Bearing, 30 x 42 x 7 mm		EA
3	1054283	1	Spindle, Crank		EA
4	NA	1	Spacer - 3/4, Ultra-Light Crank Set		EA
5	NA	1	Spacer - 5/8, Ultra-Light Crank Set		EA
6	1145951	2	Cap, Headset		EA
7	1139755	2	SHCS, M6 X 16MM LG. SS		EA
8	1063585	2	Chain Ring Bolt, 10mm M8 x 0.75		EA
10	1166338	1	Chain Ring Assembly, 38-39-24		EA
11	1166223	1	Link, Chainring Derailleur		EA
12A	1166282	1	S-Crank, Right Hand		EA
12B	1166282	1	S-Crank, Left Hand		EA
13A	1166217	1	V-Crank Arm, Set Right Hand		EA
13B	1166217	1	V-Crank Arm, Set Left Hand		EA



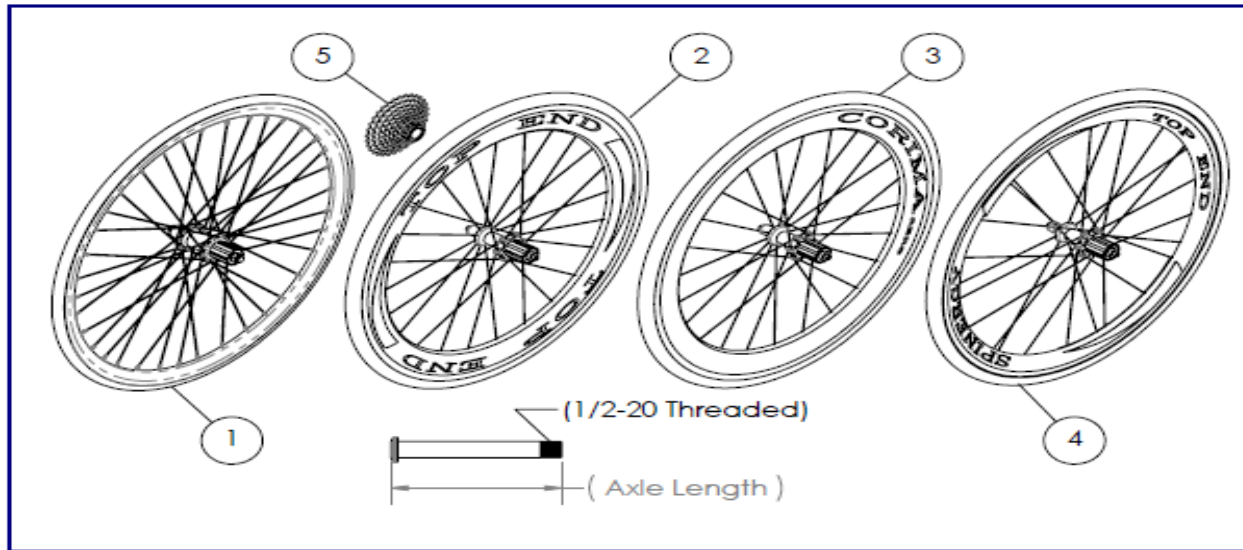
Invacare Top End Sports and Recreation Products

(800) 532-8677 (727) 522-8677 fax: (727) 522-1007

Parts Order Diagram:

Force 2: Wheels

Date:	PO#:	SO#:
Bill To:	Ship To:	
Quote #:	Phone:	Serial #:



ITEM	PART NUMBER	PER BIKE	DESCRIPTION	QTY.	
1	1156776	1	26 In. (571) High Performance Front Wheel (Drive), (Clincher Only) Alex Black Spoke		EA
	1156778	2	26 In. (571) High Performance Rear Wheel (Non-Drive), (Clincher Only) Alex Black Spoke (Axle not Included)		EA
	1166462	2	Threaded Axle, Standard Non-Drive (3.3") Alex		EA
2	1166260	1	26 In. (571) Top End Carbon Fiber Front Wheel (Drive), Tubular		EA
	1166261	2	26 In. (571) Top End Carbon Fiber Rear Wheel (Non-Drive), Tubular (Axle not Included)		EA
	1166246	2	Threaded Axle, Carbon Fiber Non-Drive (4.3")		EA
3	1156724	1	26 In. (571) Corima AERO, Front wheel assembly, (Tubular Only)		EA
	1156725	2	26 In. (571) Corima AERO w/threaded axle, Rear wheel assembly, (Tubular Only) Built in Axle		EA
4	1166385	1	26 In. Spinergys Front Wheel (Drive), Clincher		EA
	1166386	2	26 In. (571) Spinergys Rear Wheel (Non-Drive) w/Threaded Axle, Clincher		EA
5	1156688	1	SRAM Cassette, 11-23		EA
	1156689	1	SRAM Cassette, 11-26		EA
	1156711	1	SRAM Cassette, 11-34 (Standard)		EA
	1060149	3	Tire 26" Hi-Performance Clincher		EA
	1156680	3	Tire, 26" Continental Grand Prix 4000 clincher		EA
	1060160	3	Tube 26" (Hi-Performance), Standard Stem		EA
	1139820	3	Tube 26" (Hi-Performance), Long Stem (Zipp only)		EA
	1061213	3	26 In. Rim Strip		EA
	RACE36	3	Tire, Tubular Tufo S3 Lite (Not Stocked)		EA
	RACE31	3	Tire, Tubular Tufo Jet Special		EA
	1166472	3	Tire, 26" Continental Sprinter, Tubular		EA



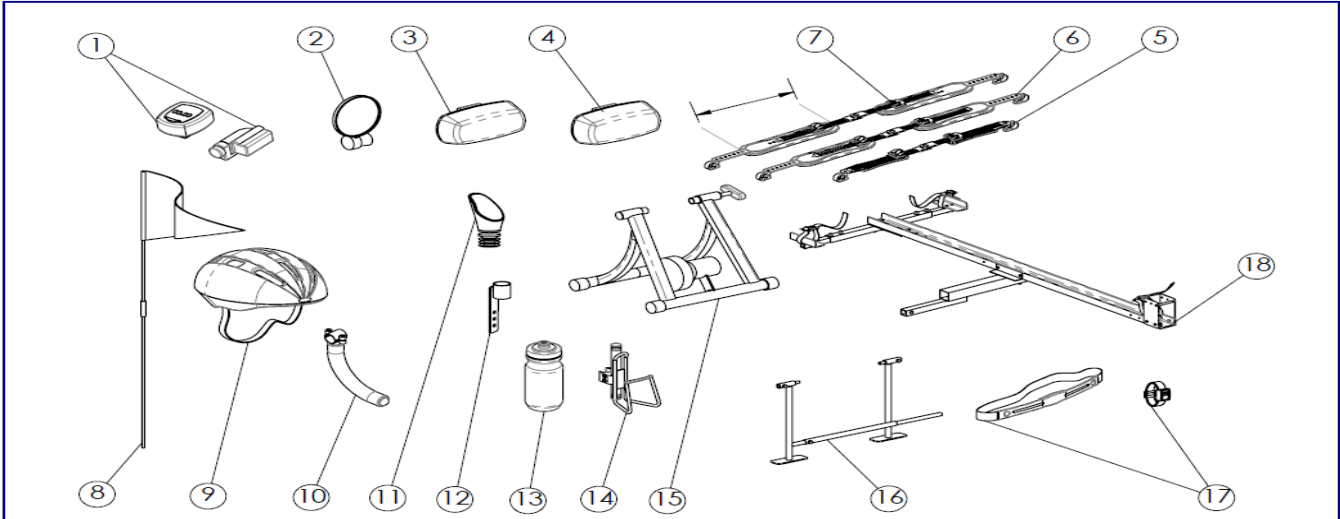
Invacare Top End Sports and Recreation Products

(800) 532-8677 (727) 522-8677 fax: (727) 522-1007

Parts Order Diagram:

Force 2: Accessories

Date:	PO#:	SO#:
Bill To:	Ship To:	
Quote #:	Phone:	Serial #:



ITEM	PART NUMBER	PER BIKE	DESCRIPTION	QTY.	
1	1056875	1	Cordless Computer		EA
2	1068722	1	Mirror, Footrest Mount		EA
3	1068721	1	Front Safety Light (clear)		EA
4	1060841	1	Rear Safety Light (red)		EA
5	1152963	1	Click Strap Set, 8" (small)		EA
6	1152964	1	Click Strap Set 10" (medium)		EA
7	1152965	1	Click Strap Set 12" (large)		EA
8	1060642	1	Safety flag (Does not include Flag Holder p/n 1156741) (NO FIT OEM HLDR)		EA
9	1060639	1	Helmet: <input type="checkbox"/> Small <input type="checkbox"/> Medium <input type="checkbox"/> Large		EA
10	1166379	1	Curve Leg Support Kit		EA
11	1153045	1	Mirror, Handle Mount		EA
12	1166628	1	Mirror Bracket, Chainguard Mount (include: two Screw, #10-32 x 1/2")		EA
13	1166517	1	Water Bottle		EA
14	1068718	1	Water Bottle, Cage and Hardware (Indicated Bike Model)		PR
15	1116580	1	Indoor Training Roller		EA
	XLT86	1	LeMond Revolution trainer w/power meter		EA
	XLT87	1	LeMond Revolution trainer		EA
	1166633	1	Upright Weldment, LeMond Revolution Trainer		EA
	XLT97	1	SportCrafters handcycle mini roller		EA
16	1109717	1	Alignment Guage		EA
17	1139799	1	Heart Monitor (Chest Strap and Watch)		EA
18	1068771	1	Bike Rack for trailer hitch Receiver Size: <input type="checkbox"/> 1-1/4" (std) <input type="checkbox"/> 2"		EA
	1166528	1	Leg Guard Attachment		EA
	1060798	1	Backpack Hydration System		EA
	1166518	1	Tool and Tire Repair Kit		EA
	RACE4	1	Wheel Bag (fit 3 700c Wheels)		EA
	RACE20	1	Handcycle Travel Bag		EA
	RACE13	1	Top End Racing Jersey, Short Sleeve <input type="checkbox"/> Large <input type="checkbox"/> X-Large		EA
	RACE22	1	T-Shirt with Top End Logo, <input type="checkbox"/> Large <input type="checkbox"/> X-Large		EA