

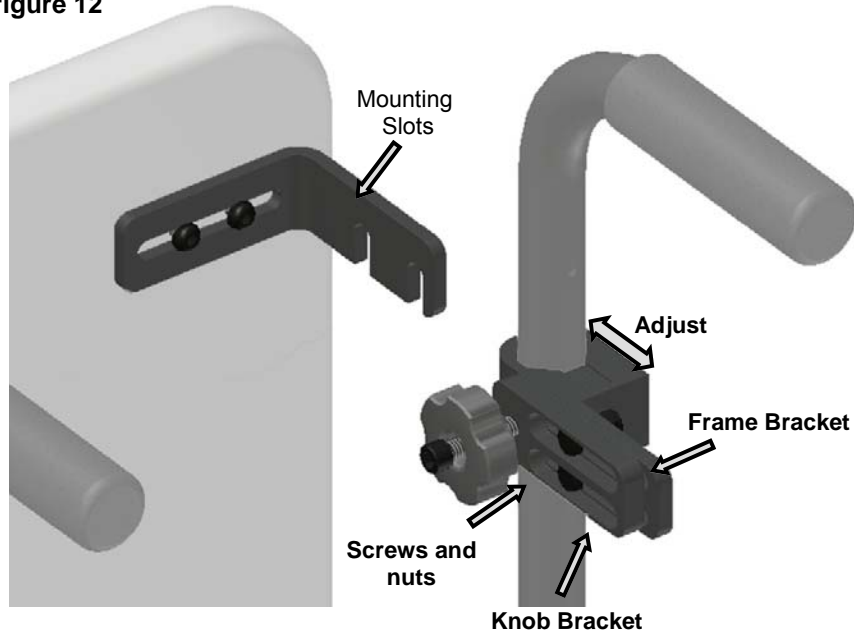
Back Depth and Angle Adjustment

Step 1: To change the back depth and/or angle, loosen the two screws and nuts at each frame bracket (see figure 12).

Step 2: Slide the knob bracket forward or backward to desired depth and/or angle. Tighten all nuts to 75 in-lbs (8.5N).

Note: Additional adjustments can be made by changing from front mount slot to rear mount slot or vice versa.

figure 12



Seating & Positioning Products

EE1/EE2

EE2

EE1

EU Authorized Representative
Medical Devices & QA Services
76, Stockport Road,
Timperly, Cheshire WA15 7SN, UK
www.mdqa.co.uk



This product is
manufactured to comply
with the Medical Device
Directive

EN130-01



Manufactured by:
Freedom Designs,
Inc.
CA 93065 USA

! Read Entire Manual Before Use !

EN130



Introduction

Congratulations on your purchase of Freedom Designs, Inc. Seating and Positioning products. The Freedom Designs Seating products combine state-of-the-art technology with durability and function to meet all of your changing needs. This Operating Manual will provide you with a detailed guide for proper use of our Seating products.

After consulting our Operating Manual, if you feel you have any further questions, please contact one of our authorized dealers.

Again, thank you for purchasing Freedom Designs, Inc. Seating and Positioning Products.

This manual was revised on July 25, 2008.

Reference Phone Numbers

Home Medical Supplier Name _____

Phone # _____

Health Care Agency Name _____

Phone # _____

Doctor Name _____

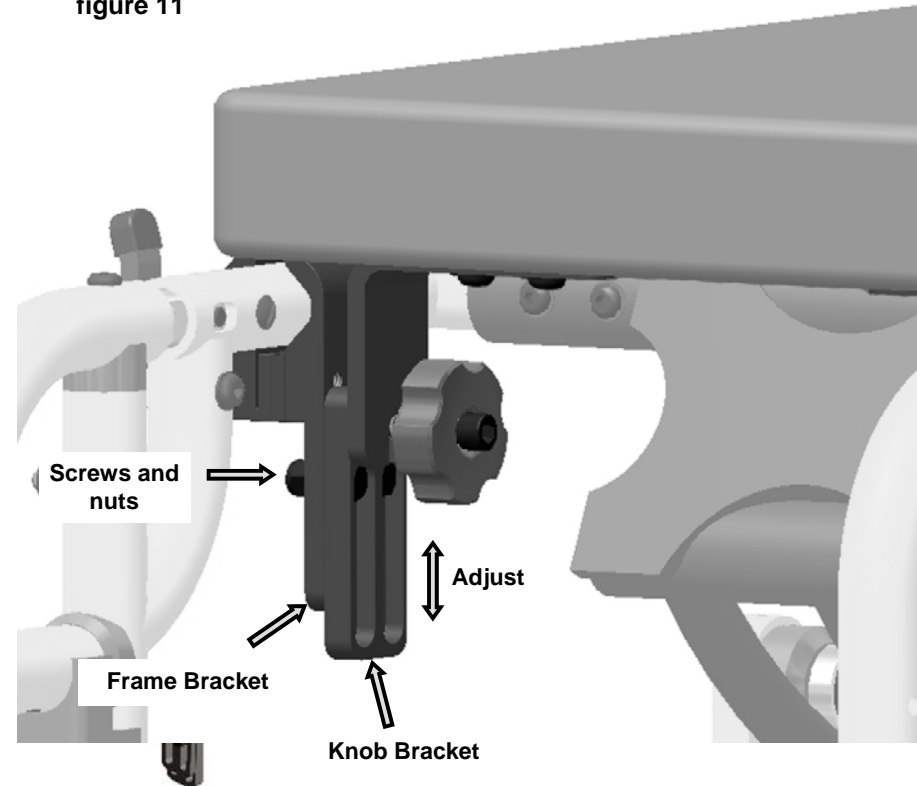
Phone # _____

Seat Height and Angle Adjustment

Step 1: To change the seat height and/or angle, loosen the two screws and nuts at each frame bracket (see figure11).

Step 2: Raise or lower knob bracket to desired height and/or angle. Tighten all nuts to 75 in-lbs (8.5N)

figure 11



Step 4: Tighten EE knobs (turn clockwise) at front of seat as tight as possible (see figure 9).

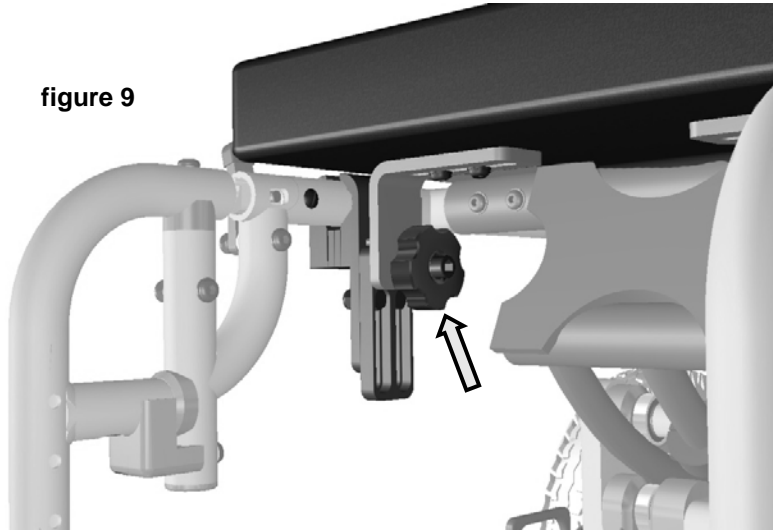


figure 9

Step 5: Tighten EE knobs (turn clockwise) at top of back as tight as possible (see figure 10).

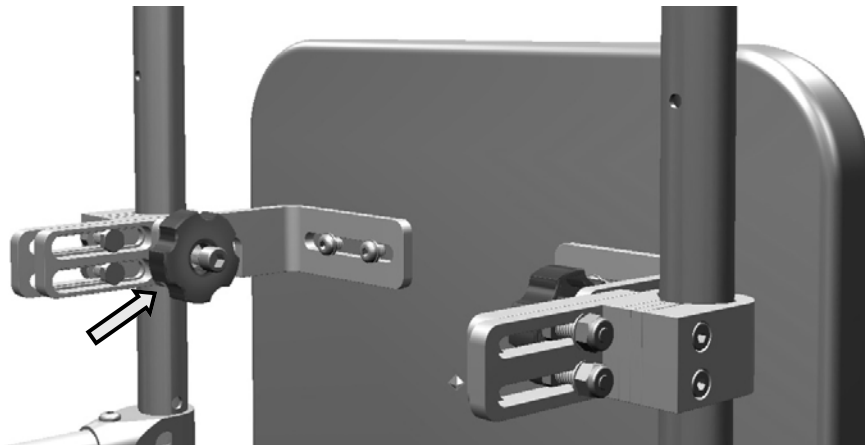


figure 10

Table of Contents

<u>Section</u>	<u>Page No.</u>
Warnings and Cautions, Limitations of Use, Transportation and Training	4
Care & Cleaning, Maintenance, Quality, and Compatibility	5
To Disengage	6
To Mount	8
 Adjustment Instructions	
Seat Height and Angle	11
Back Depth and Angle	12

! WARNING !

Failure to follow all instructions, including tightening all Quick Release Levers and Latches could result in injury to the client and/or damage to the equipment.

! CAUTION !

- Installing a seat and back system on a wheelchair may affect the centre of gravity of the wheelchair and may cause the wheelchair to tip backwards, potentially resulting in injury.
- Always assess for the potential need for anti-tippers (anti-tippers should be in place at all times during use..)

NOTE: Please read the following instructions carefully prior to assembly

This item should be fitted by an experienced clinician or technician. This document contains important information that must be passed on to the user at delivery.

Before assessing for the appropriate positioning of the Backrest, ensure that the user is sitting in an optimum position with their bottom as far back in the seat as possible to assess for appropriate seat depth.

LIMITATIONS OF USE

The EE1 / EE2 seating system is designed to provide the important benefits of seat and back support for a wide variety of users. It is designed to provide simple, comfortable and effective lateral support to help maximise function and increase sitting tolerance.

The seating system is suitable for use on most wheelchairs including reclining wheelchairs, however, please note that when fitted with lateral supports, these will reposition when the backrest is reclined and therefore may affect stability or cause discomfort.

TRANSPORTATION

The EE1 / EE2 is suitable for use in transport when fitted to a wheelchair, and only when the wheelchair it is fitted to, is suitable for use when occupied in transport.

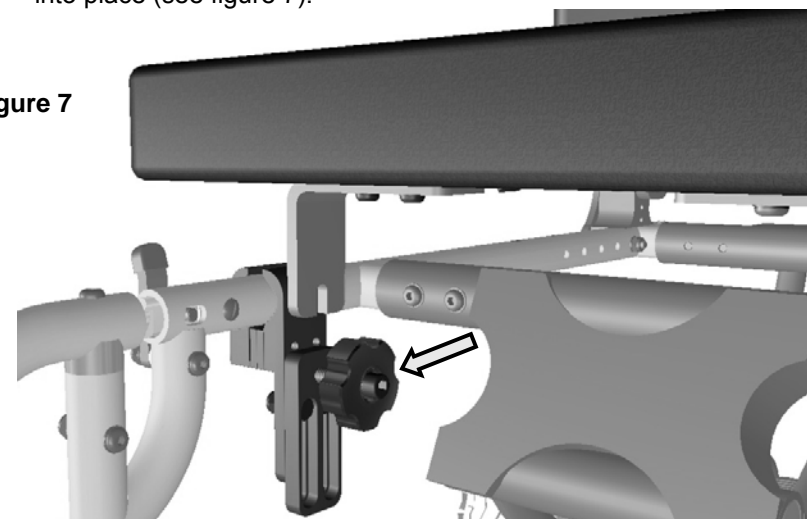
TRAINING

If for any reason you should require additional training regarding the assembly of this hardware, please contact your authorised dealer.

EE1 / EE2

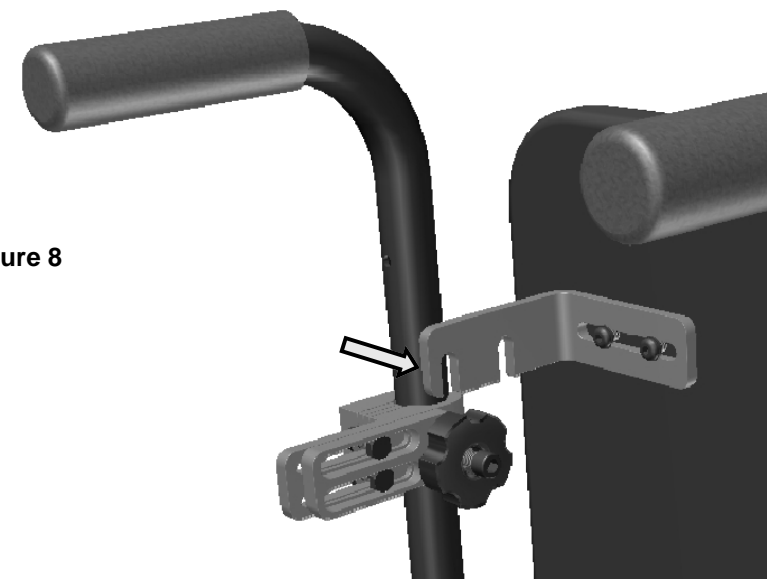
Step 2: Line up seat mount forks with EE seat rail knob clamps and drop into place (see figure 7).

figure 7



Step 3: Line up back mount forks with EE backpost knob clamps and drop into place (see figure 8).

figure 8



To Mount:

Step 1: Make sure the EE knobs are loose at all four points (see figures 5 & 6).

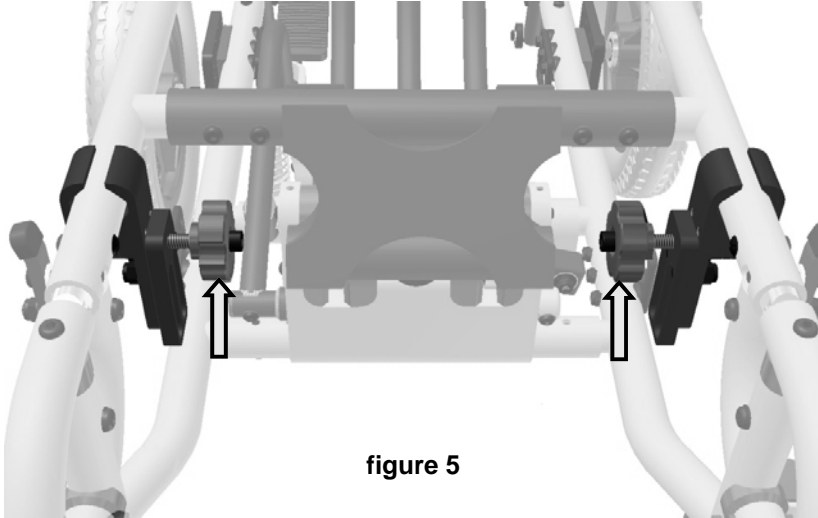


figure 5

There are two EE knobs on the front of the Solid Seat

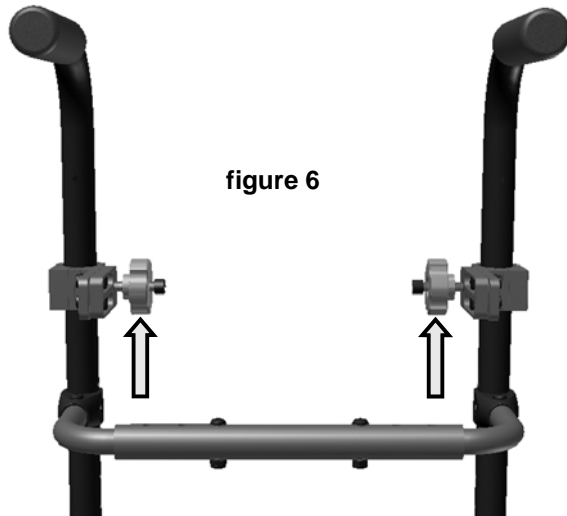


figure 6

There are two EE knobs at the top of the back

CLEANING AND CARE

All Freedom Designs, Inc. Seating and Positioning products leave the factory inspected and adjusted for immediate use. The following care and cleaning instructions will keep your seating and positioning products in optimal condition.

The cover may be cleaned with a neutral detergent and hot water and / or a single use wipe. Alternatively, it may be laundered at 81°C.

Cleaning agents including Alcohols and Phenols should not be used.

The cover should be drip-dried or tumble dried at a temperature not exceeding 130°C before re-fitting to back cushion.

The back hardware may be cleaned with common household cleaners and a soft cloth.

Should the cover become contaminated, please ask your Infection Control Officer for advice. Alternately, contact your authorised dealer for their information on decontamination protocol.

Store in a dry environment.

MAINTENANCE

Before each use:

Undertake visual check for loose screws or worn screws and fittings.

Annually:

Ensure the backrest system is inspected for loose or worn fastenings and that the torque settings are checked by a suitably qualified and competent

QUALITY

In keeping with our policy of continuous improvement, we reserve the right to modify designs without prior notice. All rights reserved.

COMPATIBILITY

Additional positioning devices such as laterals and headrests must be manufactured by Freedom Designs or approved by an authorised dealer.

EE1 / EE2



WARNING

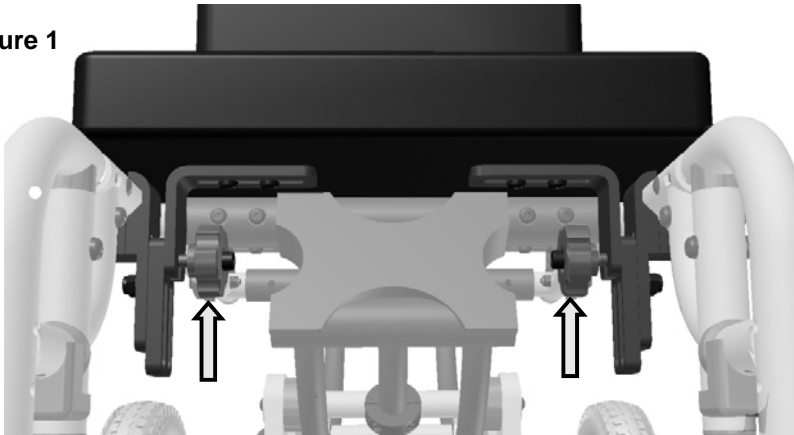


Failure to follow all instructions, including tightening all Quick Release Knobs and Quick Release Latches could result in injury to the client and/or damage to the equipment.

To Disengage:

Step 1: Turn knobs and loosen at all four points. (see figures 1 & 2).

figure 1



There are two EE knobs on the front of the Solid Seat

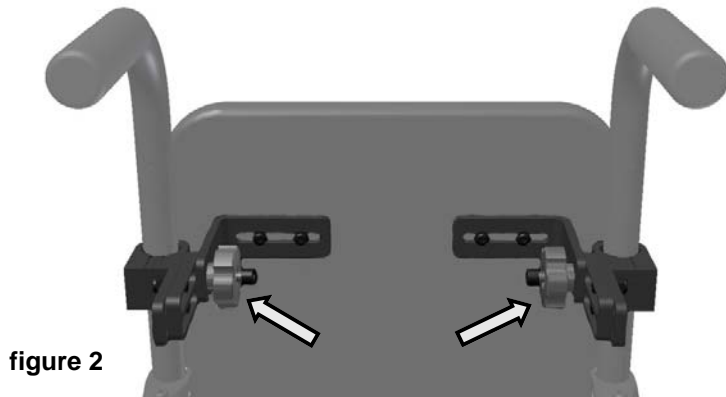


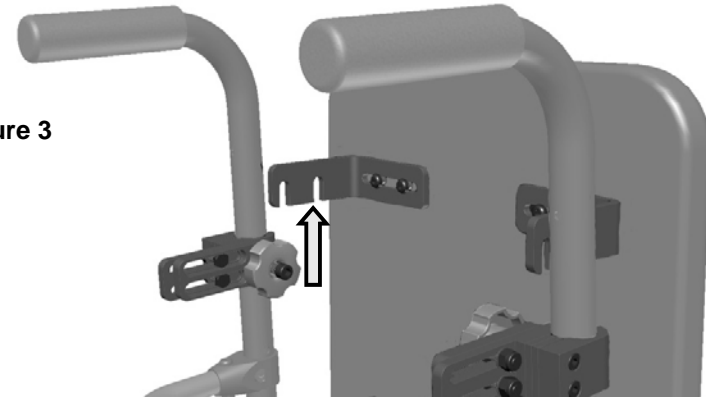
figure 2

There are two EE knobs at the top of the back

EE1 / EE2

Step 2: Lift solid back off of EE knob clamp. (see figure 3).

figure 3



Step 3: Grab front of seat and top of back. Lift unit off of chair. (see figure 4)

figure 4

