

AQUATEC®

Orca

Bath Lifter



The ultimate bathing experience



Yes, you can.

The *Aquatec Orca* family provides **superior quality and durable bath lifters** that are designed to offer **comfort, safety** and reassurance to those most in need of support as they bathe. The **Orca** incorporates increased leg room, **ease of disassembly** and an **ergonomic floating hand control** that contains a **highly efficient, light weight battery**.

- **Impressive weight limit of 140 kg**
- **Orca XL supports users up to 170 kg**
- **Sits lower and further towards the back of the bath**
- **Increased leg room for deeper and more relaxed bathing**
- **Increased height of the backrest adds support whilst upright or reclined**



Comfortable, safe and highly efficient

The *Aquatec Orca* range has been **designed with the user in mind**, giving a comfortable and straightforward bathing experience. Key features include:

- **Reclining backrest**
- **Integrated head support**
- **Quick release hand control**
- **Battery with Sony™ technology**
- **Auto unlock for quick removal from bath**
- **Backrest recline up to 40°**

The reinforced scissor mechanism on the **Orca** range **combines safe lifting with a compact construction** while the minimum seat height of just 60 mm allows plenty of room for a **deeper and more comfortable bath**.

Aquatec Orca XL

A powerful bath lifter with a maximum user weight of 170 kg.



Features and options



Textured seating surface

The **Orca** has a textured surface **allowing use without covers** if desired. The side flaps are hinged flush to the main seating surface and **allow comfortable and safe side transfers**, without entrapment of skin.



Two-piece design

When pushed forward the **Orca's** backrest folds down and automatically unlocks. The backrest and base section **can then be removed from the bath with ease**. The 2 sections fit neatly into one another to **give an extremely compact size for storage**.



Easy to clean

The open, clean-cut design of the **Orca** combines with its smooth surfaces to offer **effortless cleaning**.

Accessories *Aquatec bath lift*



Height-adjustable headrest

For the safe support of the head and neck area. Recommended in conjunction with the special backrest. All parts for the headrest assembly included.

15461 White, for all *Orca*



Please complete the *Orca* dimension sheet.

Custom-built side flaps

Facilitates transfer from the lift.

1471606 Side flap (unit), without cover, for *Orca* / *Orca F* (when retrofitting)



Chest and pelvic belt

Soft, skin friendly material. **1528702** for *Orca*



Stopper/abduction unit

Prevents slipping off the seat surface. Available for all battery-driven bath lifters.

1525932 - Blue (7cm height)



Height adaptors

The *Orca* can be adapted to suit a full range of bath heights. The 2, 4 or 6cm height adaptors can be quickly fitted to the bath lift base.

15170 Height adapter 2 cm (4 pcs.) incl. conversion kit

14694 Height adapter 2 cm (4 pcs) Extension kit without conversion kit



Side flap deflectors

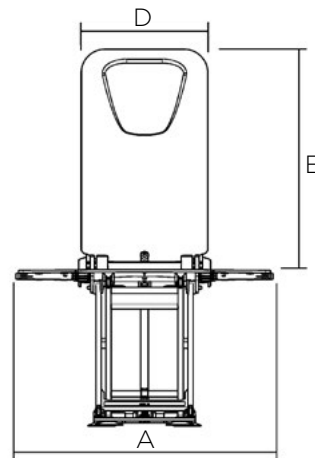
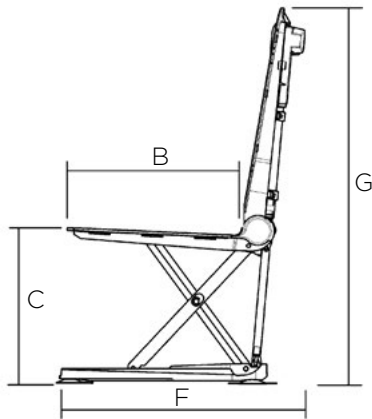
To be used for hand grips in the bathtub. The side flap deflector can also be shortened when required.

15309 for all battery driven bath lifts (1 piece)

Technical data

For more comprehensive pre-sales information about this product, including the product's user manual, please see your local Invacare website.

Dimensions	Aquatec Orca	Aquatec Orca XL
Seat width without side flaps	375 mm	375 mm
Seat width with side flaps	715 mm* (A)	715 mm (A)
Seat depth	590 mm (B)	590 mm (B)
Seat height max.	420 mm (C)	420 mm (C)
Seat height min.	60 mm	60 mm
Width of backrest	360 mm (D)	360 mm (D)
Height of backrest	665 mm (E)	665 mm (E)
Total depth (backrest upright)	650 mm (F)	650 mm (F)
Total depth (backrest reclined)	920 mm	920 mm
Total height with backrest	1075 mm (G)	1075 mm (G)
Base area	580 x 295 mm	580 x 295 mm
Cover thickness	3 mm	3 mm
More info		
Total weight without hand control	10,8 kg	11,6 kg
Total weight without battery pack	-	-
Weight, seat	6,6 kg	7,4 kg
Weight, backrest	4,2 kg	4,2 kg
Weight, hand control	0.4 kg	0.4 kg
Weight, battery pack	-	-
Load capacity	140 kg	170 kg
Backrest can be reclined by up to	40°	40°
Colour	White	White



T: +44 1656 776222
 uk@invacare.com
 www.invacare.co.uk
 www.invacare.ie

Invacare UK & Ireland
 Unit 4 Pencoed Technology
 Park
 Bridgend CF35 5AQ



Yes, you can.®

