



Yes, you can.®



COMPATIBILITY CATALOGUE 2010



Confidence in posture solutions

Indholdsfortegnelse

➤ Hvordan bruger du kataloget	3
➤ Produktpræsentation	
Produktoversigt	4
Størrelser og tilpasning	5
Farver	7
➤ Fælles dele	
Kompatibilitetsliste over "fælles dele"	8
Armlæn	12
Rygge	16
Sædepuder	20
Benstøtter og fodplader	22
Forhjul	26
Drivhjul	29
Andet	33
➤ Individuelle dele	
Rea® Azalea ®	35
Rea® Bellis ™	45
Rea® Focus ™	51
Rea® Spirea ² ®	57
Rea® Spirea ³ ®	61
Invacare® XLT ™	65

Indledning

Kompleksiteten i vore produkter er steget gennem årene og det kan være svært at bevare overblikket over vores brede produktportefølje. Vi ønsker at sænke kompleksiteten i vores produktportefølje og derved gøre det nemmere for vores kunder. Vi har på samme måde bemærket, at vi ofte bliver spurgt til, hvilket tilbehør der kan bruges på hvilke kørestole og hvilke dele som kan tages fra én kørestol og bruges på en anden, altså hvor er vores produktportefølje kompatibel? (dvs. dele som passer på to eller flere kørestole)

Derfor har vi nu valgt, at introducere dette kompatibilitetskatalog. Formålet med kataloget er at beskrive vores produktportefølje samt at give et overblik over kompatibiliteten på vores nuværende komfortstole; Rea® **Azalea**_™ og Rea® **Bellis**_™ vores medium aktive kørestole; Rea® **Focus**_™ og Rea® **Spirea**²_™ og vores nye aktive kørestol **Invacare**® **XLT**.

Sådan bruger du kataloget:

Produkt præsentation

Her finder du en præsentation af alle Invacare® Rea's kørestole samt **Invacare**® **XLT**, som er produceret til det danske marked.

Fælles dele

Kapitlet indeholder en kompatibilitetsliste som er opbygget over hele produktporteføljen således, at der nemt kan skabes overblik over hvilke dele som passer på hvilke kørestole samt hvilke dele der er kompatible med hinanden.

Alle kompatible dele er beskrevet med artikelnummer og billede i det følgende kapitel.

Individuelle dele

Dette kapital indeholder en kort præsentation af alle kørestolene efterfulgt af en beskrivelse, som viser, hvorledes de enkelte stole er blevet målt.

Du vil ligeledes finde en tabel over sædehøjder samt en præsentation af alle de dele, som kun passer på en bestemt kørestol, dvs. som ikke er kompatible med resten af produktporteføljen.

Product Overview



Rea **Azalea**



Rea **Azalea Base**



Rea **Bellis**

Wheelchair version		Self propelling	Transit version.	Tilttable seat	Max user weight kg	Angle adj. frame	Reclining backrest	Angle adj backrest
Rea Azalea / Azalea Max	Passive wheelchair with adaptable seating	x	x	x	135 / 180	-	x	-
Rea Bellis / Bellis 150	Passive wheelchair with adaptable seating	x	x	x	125 / 150	-	x	-
Rea Azalea Base		x	x	x	135	-	-	x
Rea Focus + Focus 150	Medium active wheelchair with extensive adjustability	x	-	-	125 / 150	x	x / -	x
Rea Spirea² / Spirea² T	Medium active wheelchair with basic adjustments	x	x	-	125	x	-	-
Rea Spirea³	Medium active wheelchair with extensive adjustability	x	-	-	125 / 135*	x	-	x
Invacare XLT_m	Medium active wheelchair with extensive adjustability	x	-	-	135	x	-	x



Rea **Focus**



Rea **Spirea**



Rea **Spirea³**



Invacare **XLT_m**

Størrelse og tilpasning

All sizes. For specific information, see under each product chapter, "Individual Parts"

Seat widths in cm

Azalea®	Bellis™	Focus™	Spirea ^{2/3} ®	XLT.
+0/+5/+10 cm adj.	± 2 cm adj.	+ 2,5 cm adj.		
				35,5
34	41	38	38	38
39	46	43	40,5	40,5
44	51	48	43	43
49		53	45,5	45,5
55**			48	48
61**			50,5	50,5 *

** Azalea Max

* XLT Swing

Seat depths in cm

Azalea®	Bellis™	Focus™	Spirea ^{2/3} ®	XLT.
+ 7 cm adj.	+ 12 cm adj.	+ 7,5 cm adj.	- 5 cm adj.	- 4 cm adj.
38	42	Low 37,5	40	40
43		High 42,5	45	45
50				50
53**				
60*				

** Azalea Max

Possible seat heights in cm

Azalea®	Bellis™	Focus™	Spirea ^{2/3} ®	XLT.
40 / 45 / 50	36 – 48,5	Low 36,5 – 49	38 – 50,5	Swing 38 – 52
		High 41,5 – 54		75/90 40 - 52

Backrest heights in cm

	Azalea®	Bellis™	Focus™	Spirea ^{2/3} ®	XLT.
Backrestplate	61 + 7,5 + 5	60 + 7,5 + 5			
Tension adjustable	56	55			
Angle adjustable			38 – 46	35–39/40–48*	30 – 49
Fixed				38 – 46 ***	20 – 35
Reclining			61		
Biangular			40,5 – 50,5		

* Spirea³

** Azalea Base backrest poles, height 55cm

*** Spirea²

Backrest angles

	Azalea™	Bellis™	Focus™	Spirea ^{2/3} ®	XLT.
Backrest reclining	0° – 30°	0° – 30°	0 – 30°		
Backrest Angle adj.	0° – 30° (Base)		- 6° – + 13°	0° / ± 12°	±10°
Biangular Lower			- 6° – + 13°		
Biangular Upper			± 25°		

Størrelse og tilpasning





Seat angle					
	Azalea[®]	Bellis[™]	Focus[™]	Spirea^{2/3[®]}	XLT.
Tilttable	- 1° – + 20° / 25°	- 1° – + 15°			
Adjustable			0 – + 6°	0 – + 6°	0 – + 14°

Legrests length in cm					
Seat footplate (without seat cushion). Max seat depth					
	Azalea[®]	Bellis[™]	Focus[™]	Spirea^{2/3[®]}	XLT.
Fixed hangers and footplates 80° with short tube	30 – 42	32 – 44	32 – 44	32 – 44	29 – 41 *
Fixed hangers and footplates 80° with long tube	39 – 51	41 – 53	41 – 53	41 – 53	39 – 51 *
Fixed hangers and footplates 90° with short tube	29 – 41	29 – 41	34 – 46		28 – 36 *
Fixed hangers and footplates 90° with long tube	40 – 52	40 – 52	45 – 57		40 – 49 *
Angle adjustable hanger and footplates					
With short tube	30 – 42	32 – 44	32 – 44	32 – 44	29 – 41 *
With long tube	39 – 51	41 – 53	41 – 53	41 – 53	40 – 55 *
Central legrest	26 – 53	26 – 53			
Legrest amputee	25	25	25-32	25-33	25-31 *
Plaster legrest			57-73	62-78	
Fotbow, short					38 – 40 ** 36 – 38 ***
Fotbow, long					41 – 48 ** 39 – 45 ***
Footrest One piece, short tube					29-41 **
Footrest One piece, long tube					40-51 **

* XLT Swing

** XLT 75°

*** XLT 90°

All Colours Upholstery						
Colour	Colour code	Azalea®	Bellis™	Focus™	Spirea ^{2/3} ®	XLT™
 Grey Dartex	TR23	x	x	x	-	-
 Grey Plush	TR32	x	x	x	x	-
 Black Jemina	TR18	-	-	x	x	x
 Black Nylon	TR 33	-	-	-	-	x

All Colours Frame						
Colour	Colour code	Azalea®	Bellis™	Focus™	Spirea ^{2/3} ®	XLT™
 Pearl Grey	0515	x	x	x	x	x
 Anthracite Black	0514	-	-	x	-	x



Kompatibilitetsliste over „Fælles dele“

Backrest type	Azalea®	Bellis™	Focus™	Spirea ^{2/3} ®	XLT.
Backrest plate	x*	x	i	-	-
Laguna backrest plate	-	-	i	-	-
Foldable backrest	-	-	-	-	x
Velcro adjustable biangular	-	-	i	-	-
Velcro adjustable	x	x	x	i	x
Sling upholstery	-	-	i	i	-
Rigid back (Special)					x

* Not for Azalea® Max

Backrest Cover and Cushion Type	Azalea®	Bellis™	Focus™	Spirea ^{2/3} ®	XLT.
Cover Thin	x*	x	x	-	-
Cover Lateral	x	x	-	-	-
Mistral 2	x*	x	x	-	-
Laguna	x	x	x	-	-
Passad 2	x*	x	-	-	-
Shoulder High	x*	x	-	-	-

* Not for Azalea® Max

Backrest options/ pushhandles	Azalea®	Bellis™	Focus™	Spirea ^{2/3} ®	XLT.
Backrest bar	-	-	x	x	-
Push bar	x	x	-	-	-
Pushhandles fixed	-	-	i	i	i
Pushhandles external long grip	-	-	x	x	i
Pushhandles external short grip	-	-	x	x	i
Pushhandles external +10 cm	-	-	x	x	-
Push handles braced	x	x	-	-	-
Push handles height adjustable	-	-	-	-	i

Seat type	Azalea®	Bellis™	Focus™	Spirea ^{2/3} ®	XLT.
Firm seat, depth adjustable	i	i	i	-	-
Sliding seat	i	-	-	-	-
Sling seat	-	-	-	x	x
Velcro adjustable seat	-	-	-	x	x

Seat Cushions	Azalea®	Bellis™	Focus™	Spirea ^{2/3} ®	XLT.
Flo-Shape	x	x	-	-	-
Standard flat	-	-	x	x	x
Mistral 2 layer	-	-	i	-	-
Inlay cushion	-	i	i	-	-

Legrests / Hangers	Azalea®	Bellis™	Spirea ^{2/3} ®	XLT.
Central legrest, incl calf pad, footrest and attachment	x*	x	-	-
Hanger angle adjustable incl calf support	x	x	x	x
Hanger fixed 80 deg	x*	x	x	x
Hanger fixed 90 deg	x*	x	-	x
Legrest amputee	x*	x	x	i
Plaster legrest	-	-	x	-
Legrest attachment fixed	i	-	i	i
Legrest attachment width adjustable	i	i	-	-

* Not for Azalea® Max

Kompatibilitetsliste over „Fælles dele“

Footrests	Azalea®	Bellis™	Focus™	Spirea ^{2/3} ®	XLT™
Footrest one piece	x*	-	x	x	i
Fixed footplate	x*	x	x	x	x
Adjustable footplate angle/depth	x	x	x	x	x
Adjustable footplate angle	x*	-	-	-	x
Footbow rigid (XLT 75/90)	-	-	-	-	i
Footrest high mounted (XLT 75/90)	-	-	-	-	i

* Not for Azalea® Max

Armrest Attachment	Azalea®	Bellis™	Focus™	Spirea ^{2/3} ®	XLT™
Detachable	x	x	i	x	i
Flip up	-	i	i	i	i

Side support/Armrest lower part	Azalea®	Bellis™	Focus™	Spirea ^{2/3} ®	XLT™
Height adjustable, detachable	x	x	x	x	-
Height adjustable, detachable Rio	-	-	x	x	x
Height adjustable, flip up	-	i	-	-	x
Sideguard	-	-	-	-	i
Mudguard	-	-	-	-	i
Armrest padded	x	-	-	-	-

Armrest Pads	Azalea®	Bellis™	Focus™	Spirea ^{2/3} ®	XLT™
Short Narrow	-	x	x	x	x
Long Narrow	-	x	x	x	x
Long Narrow padded	-	-	-	-	-
Long wide padded	x*	-	-	-	-
Long narrow Nice	-	i	-	-	-
Long wide Nice	i	-	-	-	-
Long wide	-	-	x	-	-
Nice low	-	i	-	-	-
Height adjustable Standard (Duck tail)	i	-	-	-	-
Hemiplegics wide	-	-	x	x	-
Hemiplegics narrow	x	x	-	-	x

*= Only for Azalea Assist

Seating options	Azalea®	Bellis™	Focus™	Spirea ^{2/3} ®	XLT™
Abduction cushion in Dartex	x	x	-	-	-
Incontinence cover for seatcushion	x	x	-	-	-

Backrest Options Type	Azalea®	Bellis™	Focus™	Spirea ^{2/3} ®	XLT™
Neckrest depth adjustable	x	x	x	x	i
Headrest with cheek support	x	x	-	-	i
Headrest depth / width adjustable	x	x	x	x	i
Headrest / Neckrest cover	x	x	x	x	-
Trunk support multi adjustable with standard arm	x*	x	-	-	-
Trunk support multi adjustable with extended arm	x*	x	-	-	-
Trunk support with standard arm	x*	x	i	-	-
Trunk support with extended arm	x*	x	-	-	-
Trunk support, swing away	x*	x	-	-	-
Trunk support multi adjustable swing away	x*	x	-	-	-
Lumber support cushion	x	x	-	-	-
Wedges	x	x	x	-	x

* Not for Azalea® Max

Kompatibilitetsliste over „Fælles dele“

Legrest / Footrest Options Type	Azalea®	Bellis™	Focus™	Spirea ^{2/3} ®	XLT™
Heel straps	x	x	x	x	x
Calf pads	x	x	x*	x*	x*
Calf straps	-	-	x	-	x
Footplate extender	x**	x	x	x	-

** Not for Azalea® Max

* Thinner pad

Armrest Options Type	Azalea®	Bellis™	Focus™	Spirea ^{2/3} ®	XLT™
Hemiplegics	x*	x	x	x	x
Side support cover	x	x	-	-	-
Cushion to sidesupport	x	x	-	-	-

* Not for Azalea® Max

Castor Attachment Type	Azalea®	Bellis™	Focus™	Spirea ^{2/3} ®	XLT™
Chassis extender	i	-	-	-	-
Castor attachment fixed	x	x	i	i	i
Castor attachment quick release	-	i	-	-	-

Front Castors	Azalea®	Bellis™	Focus™	Spirea ^{2/3} ®	XLT™
75 x 24 medium hard	-	-	-	-	x
100 x 27 medium hard	-	-	-	-	x
125 x 27 medium hard	-	x	x	x	x
140 x 37 soft	x	x	x	x	x
150 x 27 medium hard	x*	x	x	x	x
150 x 30 soft	x*	x	x	x	x
150 x 32 pneumatic	-	x	x	x	x
180 x 40 pneumatic	-	x	x	x	x
180 x 40 soft	-	x	x	x	x
200 x 27 medium hard	x	x	x	x	-
200 x 30 soft	x*	x	x	x	-
200 x 32 pneumatic	x*	x	x	x	-
200 x 45 medium hard	x	x	x	x	-
200 x 50 pneumatic	-	x	x	x	-

* Not for Azalea® Max

Rear Wheel Axel	Azalea®	Bellis™	Focus™	Spirea ^{2/3} ®	XLT™
QR	x	x	x	x	x
Camber	-	-	i	i Spirea ³	i

Rear Wheels Size/Type	Azalea®	Bellis™	Focus™	Spirea ^{2/3} ®	XLT™
16"	x	x	-	x*	-
20"	-	x	x	x	-
22"	x	x	x	x	x
24"	x	x	x	x	x
24" basic	x***	-	-	x**	-
25"	-	-	-	-	x
26"	-	-	-	-	x

*** Not for Azalea® Max

* Spirea ** Spirea³

Tyre Type	Azalea®	Bellis™	Focus™	Spirea ^{2/3} ®	XLT™
Tyres pneumatic non marking	x*	x	x	x	x
Tyres pneumatic profiled	x*	x	x	x	x
Tyres solid	x	x	x	x	x
Tyres puncture proof	x*	x	x	x	x
Tyres low profile	x*	x	x	x	x/i
Tyres low profile Black Marathon Evol.	-	-	-	-	x

* Not for Azalea® Max

Kompatibilitetsliste over „Fælles dele“

Handrim Type	Azalea®	Bellis™	Focus™	Spirea ^{2/3} ®	XLT™
Handrim aluminium	x	x	x	x	x
Handrim stainless	x*/**	x*	x*	x*	x
Handrim plastic coated	x**	x	x	x	x
Handrim foam coated	x*/**	x*	x*	x*	x
Handrim black grip	x*/**	x*	x*	x*	x

** Not for Azalea® Max

* Not available as std from 1:st of April 2010

Castor Spokeguard	Azalea®	Bellis™	Focus™	Spirea ^{2/3} ®	XLT™
Spokeguard Frost	x	x	x	x	x

Safety	Azalea®	Bellis™	Focus™	Spirea ^{2/3} ®	XLT™
Standard brakes (Malta)	i	i	x	x	i
Brake lever extension	-	-	x	x	x
One arm brake	-	x	x	x	x
Assistant operated drum brake 22" / 24"	x	x	x	x	x
Assistant operated drum brake 16"	x	x	-	x*	-
Pelvic belt	x	x	x	x	x
Reflectors kit (wheels and chassis)	x	x	x	x	x
Auto lock armrest	x	x	x	x	x
Anti tip device	i	x	x	x	i

* Spirea²

Accessories	Azalea®	Bellis™	Focus™	Spirea ^{2/3} ®	XLT™
Table tray fixed	x	x	x	x	x
Table tray swing away	x*	-	-	-	-
Pump	x	x	x	x	x
Cane holder	i	i	i	i	i

* Not for Azalea® Max

x	Same part
-	Not existing
i	Exists on individual product level

For the parts that are the same, see under next chapter for more info, for those parts that are individual for one wheelchair, see under specific product chapter

Detachable armrests



Height adjustable, light, Rio



Height adjustable, long side plate

Flip-up armrests



Height adjustable for:
Rea® **Focus**™ and Rea® **Spirea^{2/3}**®

Armrests to the different wheelchair models*

Description	Azalea®	Bellis™	Focus™	Spirea ^{2/3} ®	XLT™
Height adjustable, Rio	-	-	x**	x	x
Height adjustable, long side plate	x	x	x	x	x
Height adjustable flip up	-	i	x**	x	x

* Note that all front attachments for all armrest attachments have the same insert. That means that all armrests could be inserted in all attachments. However we recommend using of the original version for the respective wheelchair product as stated below.

** Not for **Focus™ 150**.

Armrest attachments

Description	Azalea®	Bellis™	Focus™	Spirea ^{2/3} ®	XLT™
Detachable	5106289		1431721	1434680	-
Flip-up, front	-	i			-
Flip-up, rear	-	i	i	1435492	i

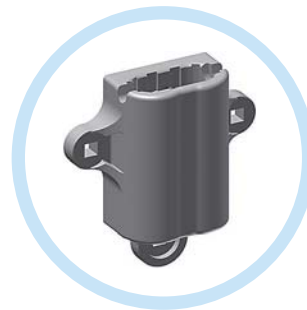
* Rear attachment to Flip up is always included in the chassie



Detachable and Flip-up
Rea® **Spirea^{2/3}®**



Detachable and Flip-up
Rea® **Focus™**



Detachable Rea® **Bellis™**

Armrest pads including poles

I435616	Short narrow left
I435615	Short narrow right
I435618	Long narrow left
I435617	Long narrow right
I518702	"Ducktail" pad left
I518701	"Ducktail" pad right
I445787	Cushion for side support left
I445786	Cushion for side support right
I415453	Side support Cover Dartex
I493220	Hemiplegics armrest left
I493219	Hemiplegics armrest right



Short narrow



Long narrow



"Ducktail" pad



Cushion for side support
2 cm thick



Side support Cover:



Hemiplegics

Armrest, lower part

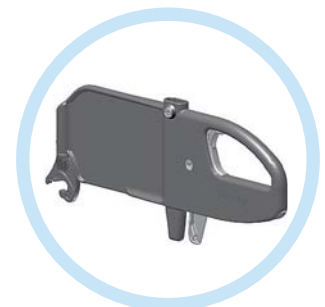
Art.no.		Azalea®	Bellis™	Focus™	Spirea ^{2/3} ®	XLT.
I415521	Height adjustable, longside plate left	x	x	x	x	x
I415520	Height adjustable, longside plate right	x	x	x	x	x
I435614	Height adjustable Flip up left	—	—	x	x	x
I435613	Height adjustable Flip up right	—	—	x	x	x



Height adjustable, cpl.
light weight, Rio



Height adjustable
lower part



Height adjustable, lower part
Flip up

Armrests pads including poles

Description	Art.no.	
	Left	Right
Height adjustable Standard (Duck tail)	1451563	1451562
Long Wide	1427169	1427170
Padded	1492547	



Ducktail



Long wide



Padded

What armrest pad fits to what armrest

Description	Short narrow	Long narrow	Long shaped	Duck tail
Height adjustable, short side plate Rio	x	x	-	-
Height adjustable, long side plate	-	-	x	x
Height adjustable, flip up Bellis™	-	-	x	-
Height adjustable, flip up Spirea^{2/3}® / Focus™	-	-	-	-

Armrest Rio cpl

Description	Art.no.	Azalea®	Bellis™	Focus™	Spirea ^{2/3} ®	XLT™
Height adjustable short pad left	1435461	-	-	x	x	x
Height adjustable short pad right	1435460	-	-	x	x	x
Height adjustable long pad left	1435487	-	-	x	x	x
Height adjustable long pad right	1435486	-	-	x	x	x

Armrest Flip-up, Height adjustable cpl

Description	Art.no.	Azalea®	Bellis™	Focus™	Spirea ^{2/3} ®	XLT™
Height adjustable short pad left	1435459	-	-	x	x	x
Height adjustable short pad right	1435458	-	-	x	x	x
Height adjustable long pad left	1435489	-	-	x	x	x
Height adjustable long pad right	1435488	-	-	x	x	x

Armrest, Height adjustable cpl

Description	Azalea®	Bellis™	Focus™	Spirea ^{2/3} ®	XLT™
Height adjustable "ducktail" pad left	1517368 *				-
Height adjustable "ducktail" pad right	1517367 *				-

* Not for Azalea® Max

Backrests



Backrest plate with extension



Tension adjustable backrest



Velcro adjustable for biangular backrest angle

Backrest types and versions

Description	Azalea®	Bellis™	Focus™	Spirea ^{2/3} ®	XLT.
Backrest plate for reclining backrest	x	x	i	-	-
Backrest tension adjustable for backrest cushion Passad 2 and Laguna	x	x	-	-	-
Tension adjustable backrest for reclining backrest	x	x	-	-	-
Sling or Velcro adjustable for fixed backrest angle*	-	-	x	i	-
Sling or Velcro adjustable for adjustable backrest angle**	-	-	x	x	-
Velcro adjustable for biangular backrest angle	-	-	i	-	-
Velcro tension adjustable, fixed height, infinitely variable, angle adjustable, foldable and click in backrest	-	-	-	-	x
Velcro tension adjustable, fixed height, infinitely variable, angle adjustable, foldable and click in backrest	-	-	-	-	x

* = Not for Spirea³ ** = Only for Spirea³ *** = Not for Azalea® Max

Backrest extension

Description	Art.no.	Azalea®	Bellis™	Focus™	Spirea ^{2/3} ®
Extender backrest	1440147	39	41	—	—
Extender backrest	1440148	44	46	—	—
Extender backrest	1440149	49	51	—	—

Backrests cushions to fit below seat width							
Description	Art.no			Azalea®	Bellis™	Focus™	Spirea ²¹³ ®
Mistral 2	Dartex	Grey Plush	Jemima				
small	1431668	1431669		39 ***		38	
medium	1424651	1435404		44 ***	41	43	
large	1424652	1435405		49 ***	46	48	
x-large	1424653	1435406			51	53	
Laguna fixed shape							
Minor	1508972	1510660		34			
xx-small	1439937						
x-small	1427118	1435796		39 ***		38 ****	
small	1427119	1435797		44 ***	41	43 ****	
medium	1427120	1435798		49 ***	46	48 ****	
large					51		
Azalea Max	1525073	1525074		55			
Azalea Max	1525075	1525076		61			
Passad 2							
x-small	1429271			39 ***			
small	1424647	1444329		44 ***	41		
medium	1424649	1444330		49 ***	46		
large	1429278	1444331			51		
Shoulder high							
small	1444275			39 ***			
medium	1444276			44 ***	41		
large	1444277			49 ***	46		
x-large	1444278				51		
Backrest cover Thin							
xx-small		5106739-TR32	5106739-TR18			38	38
x-small		5106740-TR32	5106740-TR18	39*		40,5	40,5
small		5106741-TR32	5106741-TR18	44*	41*	43	43
medium		5106742-TR32	5106742-TR18			45,5	45,5
large		1435742	1435523			48	48
x-large		5106743-TR32	5106743-TR18	49*	46*		
xx-large		1435743	1435524		51	53	
Backrest cover Lateral							
x-small	1508865	1444344		39			
small	1508866	1444345		44	41		
medium	1508867	1444346		49	46		
large	1508868	1444347			51		
Azalea Max	1526459	1526573		55			
Azalea Max	1526424	1526572		61			

* Includes velcro adapter 1435619 ** Not plush *** For +5 cm and +10 cm width, see individual parts **** For Focus see individual parts For XLT, see individual parts



What backrest cover and cushion fit what backrest base?

	Mistral 2	Laguna	Passad 2	Backrest cover
Backrestplate without extension	x	—	—	—
Backrestplate with extension	—	x	x	—
Plate Laguna	—	x	—	—
Velcro adjustable for fixed backrest angle	x	—	—	x
Velcro adjustable for adjustable backrest angle	x	—	—	x
Velcro adjustable for biangular backrest angle	—	—	—	x
Tension adjustable for reclining backrest	x	x	x	x

Backrest bar/Push handles

Description	Art.no.	Azalea®	Bellis™	Focus™	Spirea ^{2/3} ®
Backrest bar	5106399-C9005	-	-	38	38
	5221696-C9005	-	-	40,5	40,5
	5106331-C9005	-	-	43	43
	5106190-C9005	-	-	45,5	45,5
	1435484-9005	-	-	48	48
	5106191-C9005	-	-	50,5	50,5
	1435490-9005	-	-	53 Focus 150	-
Push handles rear mounted + attachment long grip	1434743	-	-	x	x
Push handles rear mounted + attachment short grip	1445825	-	-	x	x
Push handles rear mounted + attachment +10 cm	1445821	-	-	x	-
Push bar	1444350	39	-	-	-
	5255136	44	41	-	-
	5255137	49	46	-	-
	5253158	-	51	-	-
High Push bar	1524533	55	-	-	-
	1424529	61	-	-	-
Push handles braced	1508953-0509	34	-	-	-
	1420007-0008	39	-	-	-
	1420008-0008	44	41	-	-
	1420009-0008	49	46	-	-
	1420010-0008	-	51	-	-
	1523947	55	-	-	-
	1523946	61	-	-	-



Backrest bar



Push handles



Push bar



Pushhandles braced

Neck- and Headrests

Description	Art.no
Neckrest depth adjustable	1508848
Headrest depth / width adjustable	1420161
Headrest with cheek support	1446560

Cover Neck- and Headrests

Description	Art.no.
Headrest cover	1518516
Neckrest cover	1518517



Neckrest, depth adjustable



Headrest depth / width adjustable



Headrest with cheek support



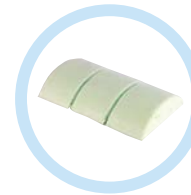
Cover for headrest

What neck-and headrest fit to what backrest base?

	Backrest Plate	Backrest Tension Adjustable	Backrest Plate Laguna	Velcro	Shaped Backrest
Neckrest depth adjustable	x	x	x	x	x
Headrest with cheeksupport	x	x	x	x	x
Headrest depth/width adjustable	x	x	x	x	x

Lumbar support cushion

Art.no.	Backrest options	Azalea®	Bellis™	Focus™	XLT™
5252527	Lumbar support cushion	x	x	-	-
1435491	Wedges	x	x	x	x



Lumbar support cushion

Trunk support

Description	Art.no		Azalea®	Bellis™	Focus™	XLT™
	Left	Right				
Trunk support Multi adjustable with standard arm	1448692	1448693	x*	x	-	-
Trunk support Multi adjustable with extended arm	1484447	1484448	x*	x	-	-
Trunk support swingaway	1448697	1448698	x*	x	-	-
Trunk support swingaway	1497859	1497854	-	-	-	-
Trunk support with standard arm	1445798		x*	x	x	-
Trunk support Multi adjustable swing away	1530457	1530456	x*	x	-	-
	1530500	1530482	-	-	-	-
	1530502	1530501	-	-	-	x
Trunk support with extended arm	1492608	1492609	x*	x	-	-

* Not for Azalea® Max



Trunk support Multi functional



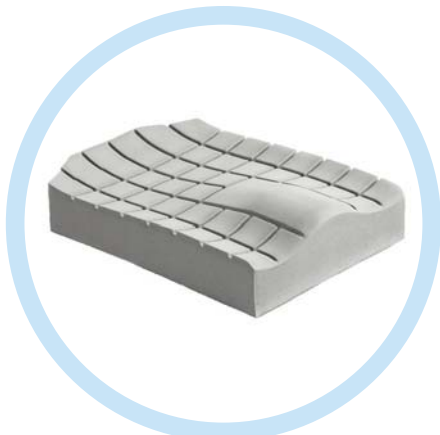
Trunk support swingway



Trunk support



Trunk support with extended arm

Seat cushions


Flo Shape



Standard flat

Seat cushions to fit below seat width

		Art.no.		Azalea®	Bellis™	Focus™	Spirea^{2/3}®	XLT.
		Jemima	Dartex	Grey Plush				
Flo Shape		1509920	1508976	34				
		1508053	1508054	39 **				
		1508055	1508056					
		1508055	1508056	44 **	41			
		1508057	1508058					
		1508057	1508058	49 **	46			
		1508057	1508058					
		1508059	1508060		51			
Standard seat cushion seat depth 40 cm	5104255-TR18		5104317-TR32					35,5*
	5104317-TR18		5103179-TR32			38	38	38*
	5103179-TR18		5104262-TR32				40,5	40,5*
	5104262-TR18		5103180-TR32			43	43	43*
	5103180-TR18		5226509-TR32				45,5	45,5*
	5226509-TR18		5104269-TR32			48	48	48*
	5104269-TR18		5104319-TR32				50,5	50,5*
Standard seat cushion seat depth 45 cm	5104257-TR18		5104259-TR32					35,5*
	5104319-TR18		5104264-TR32			38	38	38*
	5104259-TR18		5104266-TR32				40,5	40,5*
	5104264-TR18		5226510-TR32			43	43	43*
	5104266-TR18		5104271-TR32				45,5	45,5*
	5226510-TR18		1435445			48	48	48*
	5104271-TR18						50,5	50,5*
Standard seat cushion seat depth 50 cm	1435429					53		
	1512809							35,5*
	1495830							38*
	1495831							40,5*
	1495832							43*
	1495833							45,5*
	1495834							48*
1495835							50,5*	

* = Not in plush

** For +5 cm and +10 cm width, see individual parts

Seat cushions to the different wheelchair models

Description	Azalea [®]	Bellis [™]	Focus [™]	Spirea ^{2/3} [®]	XLT
Flo-Shape	x	x	-	-	-
Standard, flat	-	-	x	x	x

Seat cushion Flo-Shape

Description	Grey Dartex	Grey Plush	Azalea [®] **	Bellis [™]
Seat cushion Flo-Shape	1509920	1508976	34 *	
	1508053	1508054	39 *	
	1508055	1508056	44 *	41
	1508057	1508058	49 *	46
	1508059	1508060		51

* For +5 cm and +10 cm width, see individual parts

Seating options

Description	Art.no.	Azalea [®] **	Bellis [™]
Abduction cushion in Dartex			1444172
Incontinence seat cover			
Minor	1510636	34	-
Small	5253078-TR26	39*	-
Medium	5253079-TR26	44*	41
Large	5253080-TR26	49*	46
X-Large	5253617-TR26	-	51

* For +5 cm and +10 cm width, see individual parts

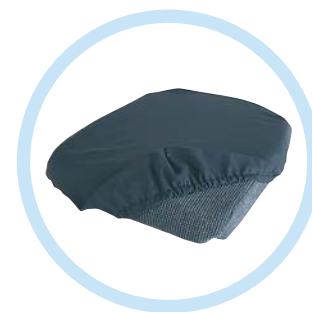
** For Azalea Max, see individual sheet



Abduction cushion **Bellis**[™]



Abduction cushion



Incontinence seat cover

Benstøtte og fodplade

Legrests and Footrests



Fixed legrests



Angle adjustable legrests

Hangers to fit to wheelchair

Description	Art.no.	Azalea [®]	Bellis [™]	Focus [™]	Spirea ^{2/3} [®]	XLT.
Fixed 80°	1493055-0509	x	x	x	x	x**
Fixed 90°	1443056-0509	x	x	x	-	x*
Angle adjustable left	1508945	-	-	x	x	x*
Angle adjustable right	1508948	-	-	x	x	x*
Angle adjustable left	1513007	x	x	-	-	-
Angle adjustable right	1513006	x	x	-	-	-

* Only for XLT Swing

** Only for XLT Swing, also available in chassie colour, see individual parts



Fixed hanger 80°



Fixed hanger 90°



Angle adjustable hanger

Benstøtte og fodplade

Footrests to fit seat width in cm

Description	Art.no.				Width				
	Left		Right		Azalea®	Bellis™	Focus™	Spirea ^{2/3} ®	XLT.
	Short	Long	Short	Long					
Fixed footrest									
Footrest 19	1428357	1428359	1428358	1428360	***		38 / 40,5	38 / 40,5	38 / 40,5
Footrest 21	1428361	1428363	1428362	1428364	39	41	43 / 45,5	43 / 45,5	43 / 45,5
Footrest 24	1428365	1428367	1428366	1428368	44	46	48 / 50,5	48 / 50,5	48 / 50,5
Footrest 27	1435756	1435659	1435757	1435660	49	51	53		
Footrest 27	1435756	1435659	1435757	1435660		51 *	53 / 55,5*		
Adjustable footrest in depth and angle									
Footrest 12	1485430	1485428	1485524	1485429					35,5
Footrest 14	1429159	1429171	1429160	1429172			38 / 40,5	38 / 40,5	38 / 40,5
Footrest 16	1429161	1429173	1429162	1429174					
Footrest 17	1429163	1429175	1429164	1429176	34 / 39		43 / 45,5	43	43 / 45,5
Footrest 18	1429165	1429177	1429166	1426178	44	41			
Footrest 19	1429167	1429179	1429168	1429180	49		48	48	48
Footrest 20	1429169	1429181	1429170	1429182		46 / 51	50,5	50,5	50,5
Footrest 20	1440036	1440038	1440037	1440039		51*	53 / 55,5*		
Adjustable footrests in angle **									
Footrest 19	1492320	1484449	1492321	1484450					
Footrest 21	1484442	1484451	1492322	1484452	34 / 39				
Footrest 24	1484443	1484453	1484444	1484454	44				
Footrest 27	1484445	1484455	1484446	1484456	49 / 54 / 59				
Adjustable footrests in depth and angle to fit 90 hangers **									
Footrest 116	1491369	1491377	1491370	1491378					40,5
Footrest 141	1491371	1492170	1491372	1492263					45,5
Footrest 166	1491375	1492264	1491376	1492265					50,5
Footrest 177	1446130	1446136	1446131	1446137			38 / 40,5		38
Footrest 202	1446132	1446138	1446133	1446139	34 / 39	41	43 / 45,5		43
Footrest 227	1446134	1446140	1446135	1446141	44	46	48* / 50,5		48
Footrest 247	1446159	1446161	1446160	1446162	49	51*			

* Heavy version 150kg

** Not for heavy version 150kg

*** For +5 cm and +10 cm width, see individual parts



Fixed footrest



Depth and angle adj. footrest



Angle adj. footrest



Depth and angle adj. footrest (To fit hanger 90°)

Benstøtte og fodplade

One piece footplate to fit seat width in cm

Description	Art.no.		Width			
	Short	Long	Azalea [®]	Focus [™]	Spirea ^{2/3} [®]	XLT [™]
Adjustable footrests in depth and angle to fit 80 degree hangers **	1496945	1496954		38, 40,5	38	38*
	1496946	1496955			40,5	40,5*
	1496947	1496982		43 / 45,5	43	43*
	1496948	1497004			45,5	45,5*
	1496949	1497005		48 / 50,5	48	48*
	1496953	1497006			50,5	50,5*
	1495821	1495825		53** / 55,5**		
Adjustable footrests in depth and angle to fit 90 degree hangers **	1491247	1493349		38 / 40,5	38	38*
	1491248	1493350			40,5	40,5*
	1493267	1493351		43 / 45,5	43	43*
	1493268	1493358	34, 39		45,5	45,5*
	1493269	1493359		48 / 50,5	48	48*
	1493270	1493377	44		50,5	50,5*
	1495821	1495825	49	53** / 55,5**		53*
1495822	1495826	49				

** Heavy version.

* For XLT Swing

*** For +5 cm and +10 cm width, see individual parts



One piece footplate

Calf support used for angle adjustable legrests and fits in seat width cm

Description	Art.no.		Azalea [®]	Bellis [™]	Focus [™]	Spirea ^{2/3} [®]
	Left	Right				
Calf support 38	1518617				38 / 40,5	38
Calf support 16	1518531				43 / 45,5	40,5 / 43
Calf support 19	1518532				48 / 50,5	45,5 / 48
Calf support 22	1518533				53 / 55,5	50,5
Calf support 16	1516313		34 / 39			
Calf support 19	1516314		44	41		
Calf support 22	1516315		49	46 / 51		
Calf support Azalea [®] Max	1525057	1525058	55 / 61			



Calf support **Azalea**[®], **Assist**[™], **Bellis**[™]



Calf support **Focus**[™], **Spirea**^{2/3}[®], **XLT**[™]



Calf support **Azalea**[®] **Max**

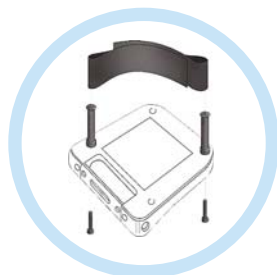
Benstøtte og fodplade

Footplate extender for angle adjustable footplate (Excluding Central footplate)

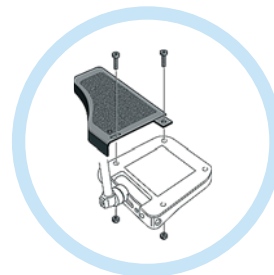
Description	Art.no.		Width				
	Left	Right	Azalea ®	Assist ™	Bellis ™	Focus ™	Spirea^{2/3} ®
Extender 135	5255297	5255296	39	-	-	38	38 / 40,5
Extender 160	5255299	5255298	44 / 49	Fit to all	Fit to all	40,5 / 43, 45,5 / 50,5	43 / 45,5 48 / 50,5

Heel straps Fits all footrests in all sizes (Excluding Central footplate)

Description	Art.no.	Azalea ®	Bellis ™	Focus ™	Spirea^{2/3} ®	XLT ™
Heel straps 40-50	5322013	x	x	x	x	x



Heel strap 40-50



Footplate extender

Legrests, Footrests and others



Central legrest



Legrest amputee



Plaster Legrest

Complete legrests

Description	Art.no.		Azalea ®	Bellis ™	Focus ™	Spirea^{2/3} ®
	Left	Right				
Central legrest	1484821		x			
	1424640			x		
Legrest amputee	1442991	1442990	x	x	x	x
Plaster legrest	1435771	1435770			x	x

For legrest attachment an individual adapter to respective Tilt and Recline wheelchair is needed. One version for Central Hanger and another attachment for the other Hangers. Please read more under the individual Product chapters. Note that in the article number above of Central footplate, the adapter is included

Front castors



100x27 medium hard



125x27 soft



140x37 soft



150x27 medium hard



150x30 soft



150x32 pneumatic



180x40 pneumatic



180x40 soft



200x27 medium hard



200x30 soft



200x32 pneumatic



200x45 medium hard

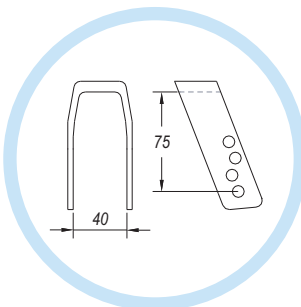


200x50 pneumatic

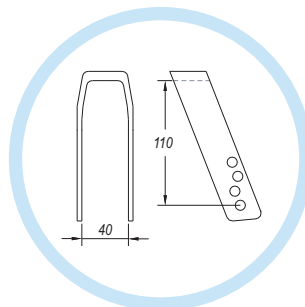
Castor attachments					
	Azalea®	Bellis™	Focus™	Spirea ^{2/3} ®	XLT ₁
Fixed	x	x	i	i	-
Quick release	-	x	-	-	-
Fixed with angleadjustment 0-6°	-	-	x	x	i

Castor forks					
	Azalea®	Bellis™	Focus™	Spirea ^{2/3} ®	XLT ₁
75 mm - narrow	-	-	-	x	i
110 mm - narrow	x	x	x	x	i
110 mm - wide	x	x	x	x	i
150 mm - narrow	x	x	x	x	i
150 mm - wide	x	x	x	x	i

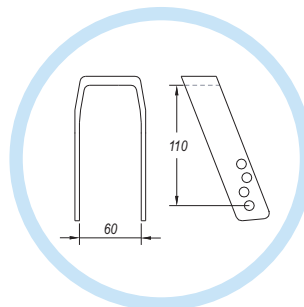
Castor attachment type					
	Azalea®	Bellis™	Focus™	Spirea ^{2/3} ®	XLT ₁
Castor attachment fixed	5254308		i	i	i



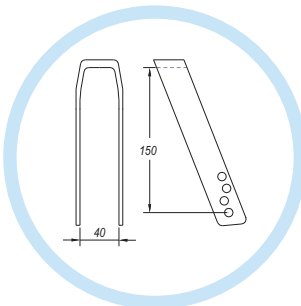
75 - narrow



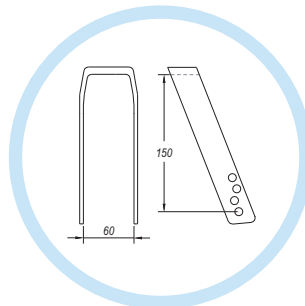
110 - narrow



110 - wide



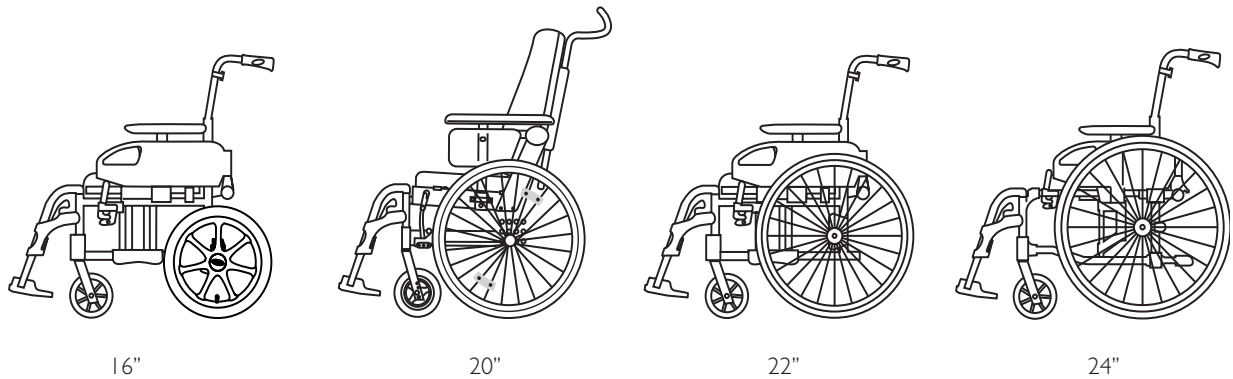
150 - narrow



150 - wide

Article number of castors in combination with forks

Description Castor (Approximate in inch")	Forks	Art.no.	
		Fixed Castor + fork	QR Castor + fork
125 x 27 medium hard (5")	75	5106784	—
	110	5320710	5322102
	150	5320727	5322104
140 x 37 soft (5,5")	110	5322135	5322137
	150	5322136	5322138
150 x 27 medium hard (6")	110	5321788	5322107
	150	5321792	5322109
150 x 30 soft (6")	110	5750808	5750809
	150	5750810	5750811
150 x 32 pneumatic (6")	110	5321788	5322106
	150	5321782	5322108
180 x 40 pneumatic (7")	110	5750789	5750790
	150	5750791	5750792
180 x 40 soft (7")	110	5750784	5750785
	150	5750786	5750787
200 x 27 medium hard (8")	110	5320717	5322112
	150	5320729	5322114
200 x 30 soft (8")	110	5750802	5750803
	150	5750804	5750805
200 x 32 pneumatic (8")	110	5104188	5322111
	150	5750889	5322113
200 x 45 medium hard (8")	110	5322143	5322144
	150	5322147	5322148
200 x 50 pneumatic (8")	110	5322145	5322146
	150	5322149	5322150



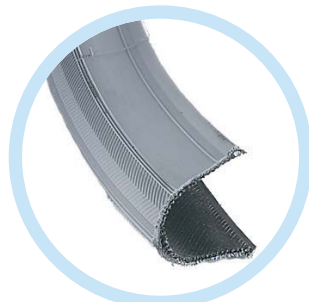
Tyre type and size of rearwheel					
Description	16"	20"	22"	24"	24" basic
Tyres low profile (24 x 1 1/8") *	-	-	-	x	-
Tyres low profile (24 x 1")	-	-	-	x	-
Tyres pneumatic non marking	-	x	x	x	-
Tyres pneumatic profiled	x	x	x	x	x
Tyres solid	x	-	x	x	x
Tyres puncture proof	-	-	x	x	-

- Not compatible with this model

* Not standard on all models from 1:st of April 2010



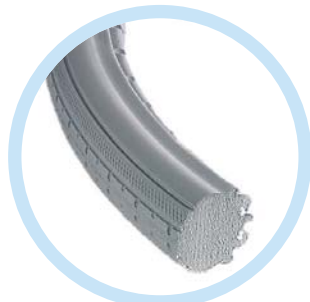
low profile



pneumatic non marking



pneumatic profiled



solid



puncture proof

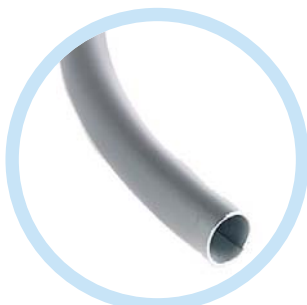
Handrims and size of rearwheel

Description	16"	20"	22"	24"
Handrim aluminium	-	1530271 **	1531579 **	1531577 **
Handrim stainless *	-	-	-	1531305 **
Handrim plastic coated	-	1530272 **	1531580 **	1531578 **
Handrim foam coated *	-	-	-	1531459 **
Handrim black grip *	-	-	-	1531460 **

- Not compatible with this model

* Not standard on all models from 1:st of April 2010

** Available from 1:st of April 2010



Aluminium



Stainless



Plastic coated



Foam coated



Black grip

Article numbers of rearwheels in combination with tyres and handrims (for 16" see next chapter under Drum brakes)

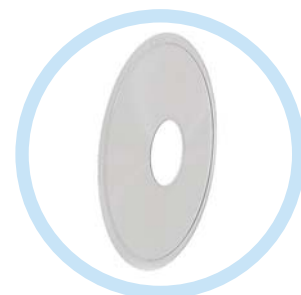
Description	Tyres						
	Rear wheel size	Low profile	Pneumatic non marking	Pneumatic profiled	Solid	Puncture proof	Low profile XLT_v
Aluminium	20"	-	1523885 **	1523944 **	-	-	-
	22"	1524020 **	1523948 **	1523949 **	1524021 **	1524022 **	-
	24"	1524049 **	1524029 **	1524030 **	1524050 **	1524150 **	1530008 **
Aluminium (Basic)	24"	-	-	1492642	1492643	-	-
Stainless *	24"	1531063 **	1530763 **	1530764 **	1530762 **	1531129 **	-
Plastic coated	22"	1524026 **	1524023 **	1524024 **	1524027 **	1524028 **	-
	24"	1524187 **	1524163 **	1524186 **	1524188 **	1524189 **	-
Foam coated *	22"	-	-	-	-	-	-
	24"	1531533 **	1531462 **	1531508 **	1531531 **	1531532 **	-
Black grip *	24"	1531566 **	1531538 **	1531563 **	1531564 **	1531565 **	-

* Not standard on all models from 1:st of April 2010

** Available from 1:st of April 2010

Spoke guards with article numbers

Description	16"	20"	22"	24"	24" basic
Spokeguard Frost	—	5102795	5102800	5102807	5102807



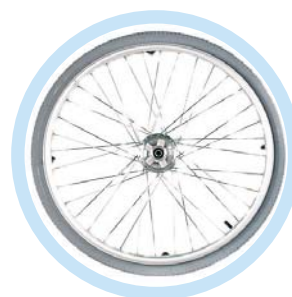
Frost

Article numbers of rearwheels for drum brakes in combination with tyres and handrims ***

Description	Rear wheel size	Tyres			
		Pneumatic non marking	Pneumatic profiled	Solid	Puncture proof
Handrim Aluminium	22"	1524289 **	1524290 **	1524291 **	1524292 **
	24"	1524436 **	1524437 **	1524447 **	1524512 **
Stainless *	22"	-	-	-	-
	24"	1531064 **	1531080 **	1531127 **	1531128 **
Plastic coated	22"	1524337 **	1524361 **	1524388 **	1524435 **
	24"	1524513 **	1524514 **	1524515 **	1524516 **
Black grip *	24"	1531567 **	1531568 **	1531569 **	1531570 **

* Not standard on all models from 1:st of April 2010 ** Available from 1:st of April 2010

*** For complete drum brake kit see Spare part catalogue



Rear wheel for drum brake

Rear wheels for drumbrakes

Description	Azalea [®]	Bellis [™]	Focus [™]	Spirea ^{2/3} [®]	XLT.
Ass.operated drumbrake 22 / 24"	x	x	x	x	x
Ass.operated drumbrake 16"	x	x	-	x*	-

* **Spirea**²



Assistant operated drum
brake 22" / 24"



Assistant operated drum
brake 16"

Brakes incl. Attachment

Art.no.		Description	Azalea®	Bellis™	Focus™	Spirea ^{2/3} ®
Left	Right					
1485423	1485424	Standard brakes	×			
1446041	1444342	Standard brakes				
1415485	1415486	Standard brakes (Malta)				×
5255117	5255124	Standard brakes		×		
5203340	5203340	Brake lever extension			×	×
1492107	1492000	One arm brake				×
1449900	1449899	One arm brake			×	
5255418	5255426	One arm brake		×		
1446121	1446122	User maneuvered brake 16" Bellis		×		
1446119	1446118	User maneuvered brake 16" Assist				
1446111	1446112	User maneuvered brake 16" Spirea 2				×



Standard brakes (Malta)



Brake lever extension



One arm brake

Safety

Description	Azalea®	Bellis™	Focus™	Spirea ^{2/3} ®	XLT™
Pelvic belt		5252276 *		1435769	5252276
Auto lock armrest			5721060		
Anti tip device	1439933	5255306	1435470	5255306	i

i = see individual part

* For Azalea Max see individual part



Pelvic belt



Reflectors kit



Auto lock armrest



Anti tip device

Table Tray

Description	Art.no.	Azalea® **	Bellis™	Focus™	Spirea ^{2/3} ®	XLT.
Table tray fixed small	5206727			38, / 40,5	38 / 40,5	35,5 / 38
Table tray fixed medium	5206726		41	43 / 45,5	43 / 45,5	40,5 / 43
Table tray fixed large	5206725		46	48 / 50,5	48 / 50,5	45,5 - 50,5
Table tray fixed X-large	5207643		51	53*		

* = Focus 150

** For Azalea see individual part



Table tray fixed

Cane holder

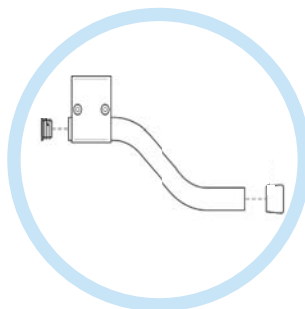
Description	Art.no.				
	Azalea®	Bellis™	Focus™	Spirea ^{2/3} ®	XLT.
Cane holder	5295015		1435764	5104964	5106390

Step tube

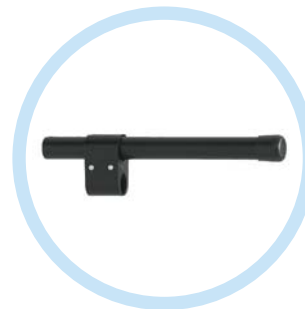
Description	Art.no.				
	Azalea®	Bellis™	Focus™	Spirea ³ ®	XLT.
Step tube	-	-	5103276		1493346



Cane holder



Step tube Focus, Spirea 3



Step tube XLT,



Rea[®] **Azalea[®]** – Individuelle dele

Indhold

> Rea [®] Azalea[®]	35
> Sådan er Rea [®] Azalea[®] målt	37
> Individuelle dele til Rea [®] Azalea[®]	38



Rea® **Azalea**® – Individuelle dele

En let komfortstol med fantastisk siddekomfort og mange muligheder for individuelle tilpasninger

Rea® **Azalea**™ er det naturlige valg til både den lidt aktive bruger og den mere passive bruger. Det komfortable sædesystem giver brugeren mulighed for at ændre siddestillingen, og giver således mest mulig komfort. Dette kombineret med gode køreegenskaber gør **Azalea**™ til det perfekte valg. **Azalea**™ fås også med 16" drivhjul og kaldes Rea® **Azalea**™ Assist



Rea™ **Azalea**®



Rea™ **Azalea**® Minor



Rea™ **Azalea**® Assist



Rea™ **Azalea**® Tall



Rea™ **Azalea**® Base



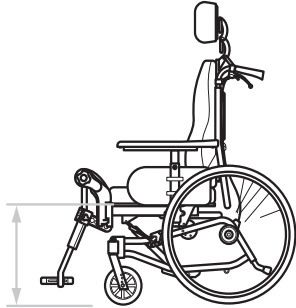
Rea™ **Azalea**® Max



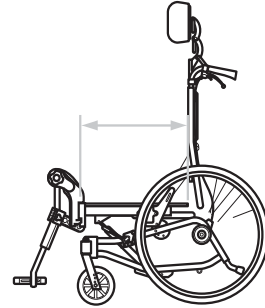
Rea[®] Azalea[®] – Individuelle dele

This is how Rea[®] Azalea[®] has been measured:

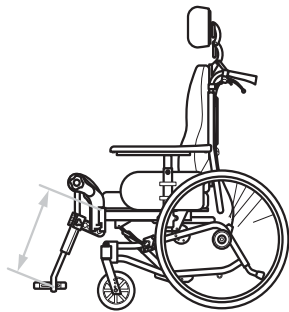
Seat height



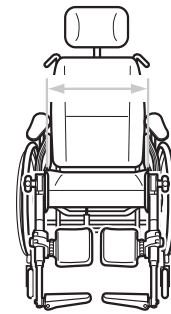
Seat depth



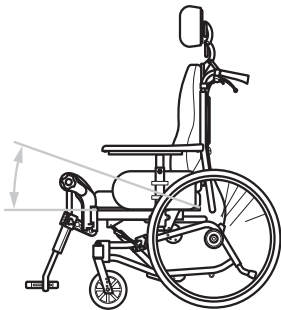
Legrest length



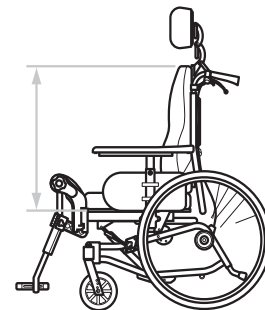
Seat width



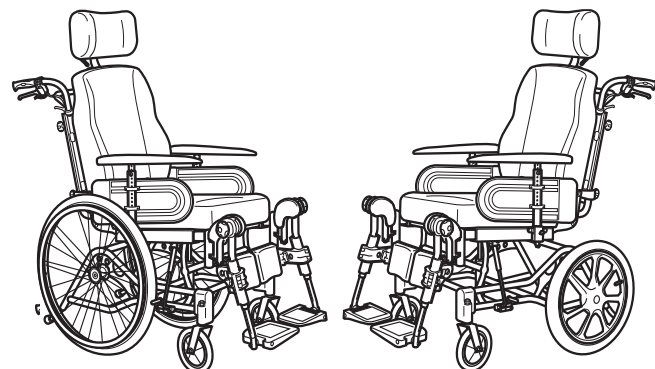
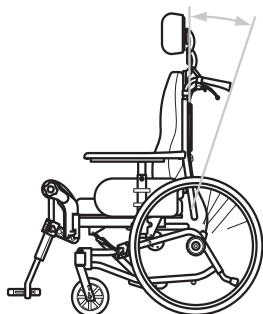
Seat angle



Backrest height



Backrest angle



* As the dimensions are in whole cm steps it might in reality be slightly more or less adding a couple of mm



Rea® Azalea® – Individuelle dele

Sizes	Azalea®	Azalea® 16''	Azalea® Tall	Azalea® Base	Azalea® Minor	Azalea® Max
Seat dimensions						
Seat width	39 / 44 / 49 +5 / 10 cm			34 / 39 / 44 / 49 +5 / 10 cm	34 +5 / 10 cm	55 / 61 +5 / 10 cm
Seat depth	43 - 50		48 - 55	38 - 50	38 - 45	53 - 60
Seat height	40 / 45		50	40 / 45	40 / 45	40 / 45
Cross list for common parts						
Backrest type						
Backrest plate	x	x	x	-	x	-
Velcro adjustable	x	x	x	-	-	i
Backrest tubes reclining	x	x	x	x	x	x
Backrest Cover and Cushion Type						
Cover Thin	x	x	x	-	-	-
Cover Lateral	x	x	x	-	-	x
Mistral 2	x	x	x	-	-	-
Laguna	x	x	x	-	x	x
Passad 2	x	x	x	-	-	-
Shoulder High	x	x	x	-	-	-
Backrest options/ pushhandles						
Push bar	x	x	x	-	-	i
Push handles braced	x	x	x	x	x	i
Seat type						
Firm seat plate, depth adj.	x	x	x	x	x	x
Sliding seat	x	x	x	-	-	-
Wheel base seat	-	-	-	x	-	-
H-bracket	-	-	-	x	-	-
Seat Cushions						
Flo-shape	x	x	x	-	x	-
Max seat cushion	-	-	-	-	-	x
Legrests / Hangers						
Central legrest, incl calf pad, footrest and attachment	x	x	x	x	-	-
Hanger angle adjustable	x	x	x	x	x	x
Hanger fixed 80 deg	x	x	x	x	x	-
Hanger fixed 90 deg	x	x	x	x	-	-
Legrest amputee	x	x	x	x	x	-
Legrest attachment width adj.	x	x	x	x	x	x
Footrests						
Footrest one piece	x	x	x	x	x	i
Fixed footplate	x	x	x	x	x	-
Adjustable footplate angle/ depth	x	x	x	x	x	x
Adjustable footplate angle	x	x	x	x	x	-
Armrest Pads						
Long, wide	-	x	-	-	-	x
Padded	x	x	x	x	x	-
Ducktail	x	x	x	x	x	-



Rea® Azalea® – Individuelle dele

Sizes	Azalea®	Azalea® 16"	Azalea® Tall	Azalea® Base	Azalea® Minor	Azalea® Max
Seating options						
Abduction cushion in Dartex	x	x	x	-	x	-
Incontinence cover for seat-cushion	x	x	x	-	x	x
Backrest options						
Neckrest depth adjustable	x	x	x	x	x	x
Headrest with cheek support	x	x	x	x	x	x
Headrest depth / width adjustable	x	x	x	x	x	x
Trunk support multi adjustable with standard arm	x	x	x	-	x	-
Trunk support multi adjustable with extended arm	x	x	x	-	x	-
Trunk support, detachable with standard arm	x	x	x	-	x	-
Trunk support, detachable with extended arm	x	x	x	-	x	-
Trunk support, swing away	x	x	x	-	x	-
Lumbar support cushion	x	x	x	-	x	x
Wedges	x	x	x	-	x	x
Legrest / Footrest options						
Heel straps	x	x	x	x	x	-
Calf pads	x	x	x	x	x	i
Footplate extender	x	x	x	x	-	-
Armrest options						
Hemiplegics	x	x	x	x	x	-
Side support cover	x	x	x	x	x	x
Cushion to side support	x	x	x	x	x	x
Rear Wheel size / type						
16"	-	x	x	x	x	x
22"	x	-	x	x	x	x
24"	x	-	x	x	x	x
Safety						
X-Harness	-	-	-	-	x	-
Accessories						
Table tray Fixed	x	x	x	x	-	x
Table tray Swing-away	x	x	x	x	x	-



Rea[®] Azalea[®] – Individuelle dele

16" Transit wheels Azalea[®] Max

Description	Azalea [®] Max
16" Solid DB wheels, pair	1525091

Seat type

Description	Art.no.					
Seat width	34	39	44	49	55	61
Sliding seat	-	1484576	1484577	1484578	-	-
Seat plate Azalea[®] Base	1508789	1508790	1508791	1508791	1525083 *	1525082 *
H-bracket Azalea[®] Base	1508908				-	-

* Included in the chassie module



H-bracket

Seat cushion Azalea[®] Max

Description	Seat width	Art.no.	
		Grey Dartex	Grey Plush
Max seat cushion	55	1526311	1526310
	61	1526313	1526312



Max seat cushion

Seat cushion Flo-shape seat width + 5 cm and + 10 cm

Description	Seat width	Art.no.	
		Grey Dartex	Grey Plush
Seat cushion Flo-shape	34 + 5	1509920	1508976
	34 + 10	1509920	1508976
	39 + 5	1508055	1508056
	39 + 10	1508055	1508056
	44 + 5	1508057	1508058
	44 + 10	1508057	1508058
	49 + 5	1508059	1508060
	49 + 10	1508059	1508060

Backrest Velcro adjustable Azalea[®] Max

Description	Azalea [®] Max	
	Seat width	
Backrest Velcro adjustable Azalea[®] Max	55	61
	1526824	1526823



Backrest Velcro adjustable Azalea Max



Rea® **Azalea® – Individuelle dele**

Backrest cushions seat width + 5 cm and + 10 cm			
Description	Azalea®	Art.no.	
	Seat width	Grey Dartex	Grey Plush
Mistral 2	39 + 5	1424651	1435404
	39 + 10	1424651	1435404
	44 + 5	1424652	1435405
	44 + 10	1424652	1435405
	49 + 5	1424653	1435406
	49 + 10	1424653	1435406
Laguna 2 fixed shape	34 + 5	1508972	1510660
	34 + 10	1508972	1510660
	39 + 5	1427119	1435798
	39 + 10	1427119	1435798
	44 + 5	1427120	1444340
	44 + 10	1427120	1444340
	49 + 5	1427121	1444341
	49 + 10	1427121	1444341
Passad 2	39 + 5	1424647	1444329
	39 + 10	1424647	1444329
	44 + 5	1424649	1444330
	44 + 10	1424649	1444330
	49 + 5	1429278	1444331
	49 + 10	1429278	1444331
Shoulder high	39 + 5	1444276	-
	39 + 10	1444276	-
	44 + 5	1444277	-
	44 + 10	1444277	-
	49 + 5	1444278	-
	49 + 10	1444278	-

Backrest bar / Push handles Azalea® Max		
Description	Art.no.	
	Azalea® Max	
	55	61
High Push bar	1524533	1524529
Push handles braced	1523947	1523946



Push handles braced Azalea Max

Seat and Backrest tilt	
Description	Art.no.
	Azalea® Max
Assistant operated seat and backrest tilt	1525088
Electrical operated seat and backrest tilt	1524790



Legrest attachment

Description	Art.no.					
	34	39	44	49	55	61
Legrest attachment width adjustable	1508926-0509	1449888-0509	1449889-0509	1449890-0509	-	-
Legrest attachment width adjustable Azalea[®] Tall	-	1507966-0509	1507967-0509	1507968-0509	-	-
Legrest attachment width adjustable Azalea[®] Max	-	-	-	-	1523725 *	1523745 *

* Included in the chassie module

Legrests/hangers

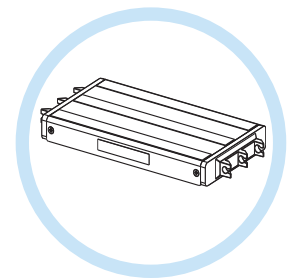
Description	Art.no.	
	Left	Right
Hanger angle adjustable - alu 2008 Azalea[®] Max	1528870	1528871



Hanger angle adjustable - alu 2008
Azalea Max

Footboard converter, cpl

Description	Azalea[®] Max	
	Seat width	Art.no.
Footboard converter, cpl Azalea[®] Max	55	1524731
	55 + 5	1524732
	55 + 10	1524733
	61	1524732
	61 + 5	1524733
	61 + 10	1524734



Footboard converter, cpl

Footrests

Description	Azalea[®] Max		
	Seat width	Short tube	Long tube
Footrest incl. footboard converter, cpl Azalea[®] Max	55	1524977	1524721
	55 + 5	1524978	1524722
	55 + 10	1524979	1524723
	61	1524978	1524722
	61 + 5	1524979	1524723
	61 + 10	1527980	1524724



Footrest incl footboard converter, cpl



Rea® **Azalea®** – Individuelle dele

Armrest attachment

Description	Art.no.
	Azalea® Max
Armrest attachment	1525035

Armrests pads including poles

Description	Art.no.	
	Left	Right
Wide pad, reinforced (Max)	1525067	1525066

Armrest, height adjustable and reinforced, cpl

Description	Art.no.	
	Azalea® Max	
	Left	Right
Height adj and reinforced, wide pad, cpl	1525069	1525068



Armrest Azalea Max

Incontinence seat cover seat width + 5 cm and + 10 cm

Description	Seat width	Art.no.
Minor	34	1510636
Small	39	5253078-TR26
Medium	39 + 5	5253079-TR26
	44	
Large	39 + 10	5253080-TR26
	44 + 5	
	49	
X-Large	44 + 10	5253617-TR26
	49 + 5	
	49 + 10	
Azalea® Max	55	1526617
	61	1526616

Backrest options

Description	Art.no.	
	Left	Right
Trunksupport with arm extended in height	1484447	1484448
Cane holder	5295015	

Chassis extender

Description	Art.no.
Chassis extender	1484535 *

* Not for **Azalea® Minor**



Safety

Description	Art.no.	
	Left	Right
Standard brake	1486411	1486410
User manouvered brake Azalea[®] Max	1524719	1524720
Tyre brake for Azalea Minor (22"+24" wheels)	1513040	
Brake attachment	1491317	
Anti tip device	1439933	
Reflectors kit (wheel and chassi)	5104965	
Reflectors kit Azalea Transport	5254249	
X-Harness cpl (Minor)	1512914	
Pelvic belt Azalea[®] Max	1528872	



X-Harness

Table tray fixed

Description	Art.no.			
	Seat width	Armrest wide pad	Armrest std pad	Armrest padded
Table tray fixed small	39	-	5206737	-
Table tray fixed medium	39	5206726	-	-
	39 + 5	-	5206726	-
	44	-	5206726	-
Table tray fixed large	39 + 10	-	5206725	-
	44	5206725	-	-
	44 + 5	-	5206725	-
	44	5206725	-	-
	44 + 5	-	5206725	-
	49	-	5206725	-
Table tray fixed X-large	39 + 10	5207643	-	-
	44 + 5	5207643	-	-
	44 + 10	5207643	5207643	-
	49	5207643	-	-
	49 + 5	5207643	5207643	-
	49 + 10	-	5207643	-
Table tray fixed Azalea[®] Max	55 - 71	1528869	-	-

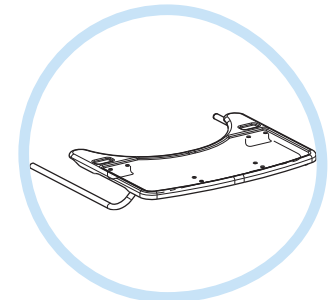



Table tray fixed Azalea Max

Table tray swing-away

Description	Article number	
	Seat width	Article number
Table tray swing-away	34	1509919
	39 - 59	1449217

* Only in combination with armrest wide pad and padded armrest

Content

 Rea™ Bellis™	45
 Sådan er Rea™ Bellis™ målt	47
 Individuelle dele™ Bellis™	48

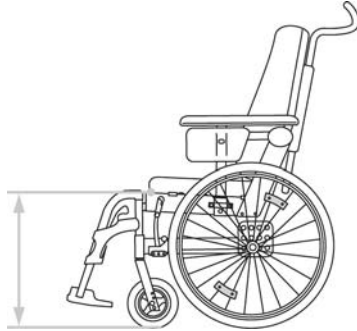
Gennemarbejdede løsninger skaber unikke muligheder

Rea® **Bellis™** har mange gennemarbejdede løsninger og tilbyder dermed et højt komfortniveau kombineret med talrige indstillingsmuligheder og perfekte køreegenskaber. **Bellis™** unikke design fokuserer på, at brugeren skal have det rigtig godt både hvad angår siddekomfort og kørsel.



This is how Rea® Bellis™ has been measured:

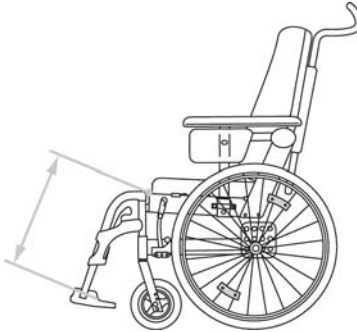
Seat height



Seat depth



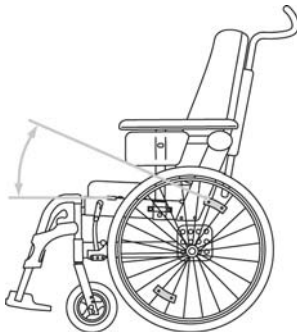
Legrest length



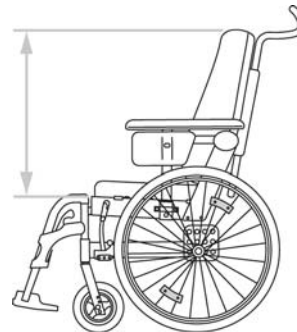
Seat width



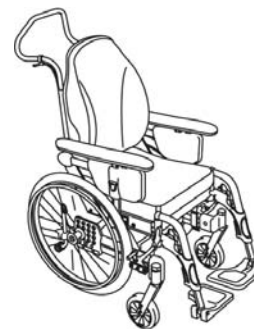
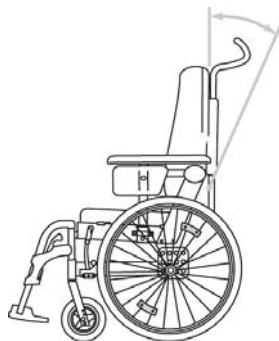
Seat angle



Backrest height



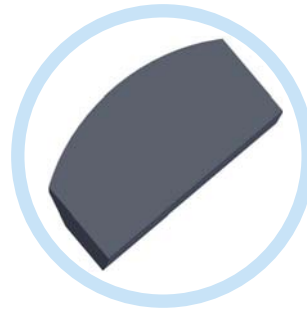
Backrest angle



Individual Accessories to Rea[™] Bellis[™]

Seat cushion

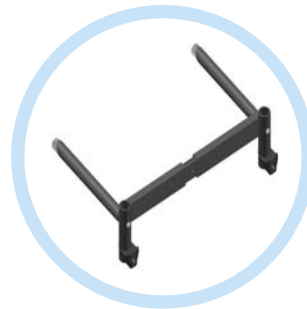
Description	Seat width	Art. no
Inlay cushion	41	5255323-TR26
	46	5255324-TR26
	51	5255325-TR26



Inlay cushion

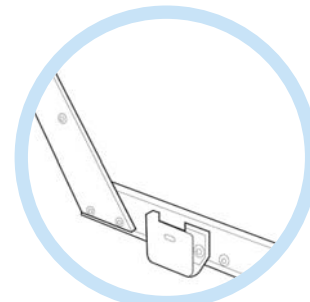
Legrests/ hangers

Description	Seat width	Art. no
Legrest attachment	All widths	1429269-0509



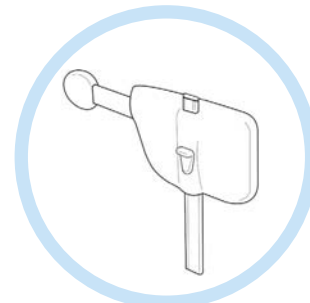
Legrest attachment

Armrest attachment		
	Article number	
	Left	Right
Flip up - rear part	5255466-0515	5255465-0515



Flip up - rear part

Armrests lower part		
	Article number	
	Left	Right
Height adjustable flip up	1439751	1439750



Height adjustable flip up

Armrests pads including pole		
	Article number	
	Left	Right
Long Narrow Nice	1439747	1439746
Long Wide Nice	1439749	1439748
Nice low	1451563	1451562



Long Narrow Nice



Nice Low



Long Wide Nice

Castor attachment type		
Description	Article number	
	Left	Right
Castor attachment quick release	5254254	5254253



Castor attachment fixed



Castor attachment quick release

Safety		
Description	Article number	
	Left	Right
Standard brakes	5255117	5255124
User manouvered tyre brake	1446121	1446122
One arm brake	5255418	5255426
Reflectors kit (wheel and chassi)	5206640	



Standard brakes

Accessories	
Description	Article number
Cane holder	5295015



Cane holder

Indhold

 Rea® Focus™	51
 Sådan er Rea® Focus™ målt	53
 Individuelle dele til Rea® Focus™	54

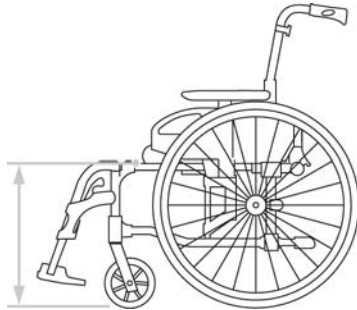
Rea® Focus™, kombinerer god siddestilling med gode køreegenskaber

Rea® Focus™ er en allround kørestol, der kører let og er udviklet til brugere med behov for god siddestøtte. Stolens faste sædeplade understøtter en god, stabil siddestilling, og kombineres nemt med forskellige rygstøttemuligheder for individuel positionering. Focus er en stol af høj teknisk kvalitet, som er let at genbruge, har et lavt servicebehov, er kompatibel med resten af Rea® kørestolene og nem at indstille.

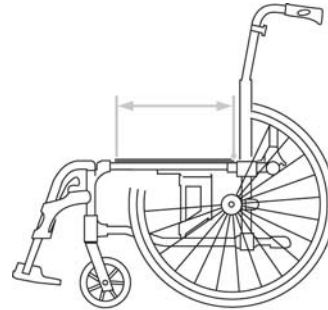


This is how Rea[®] **Focus[™]** has been measured:

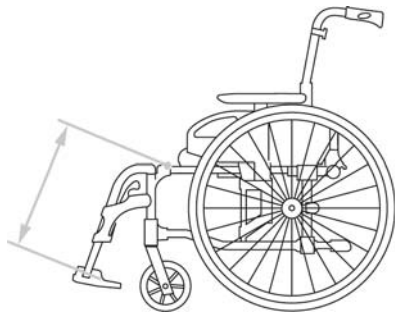
Seat height



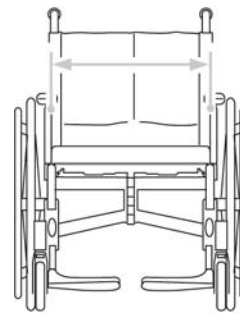
Seat depth



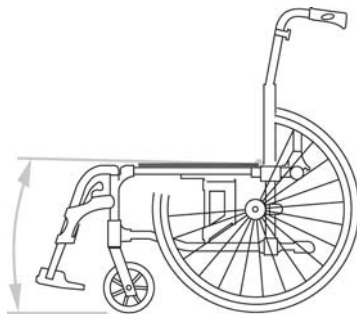
Legrest length



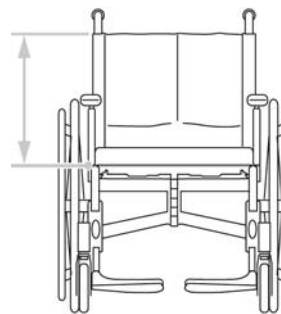
Seat width



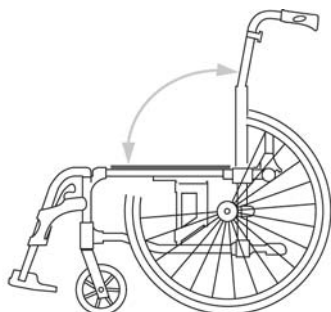
Seat angle



Backrest height



Backrest angle

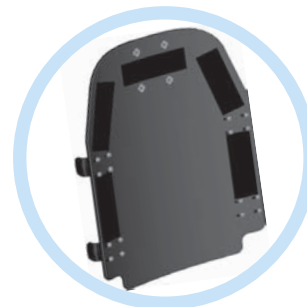


* As the dimensions are in whole cm steps it might in reality mean slightly more or less adding a couple of mm

Individual Accessories to Rea[®] Focus[™]

Backrest and cushion

	Seat width	Art.no
Laguna 2 backrest	38 - 40,5	1508812
Laguna 2 backrest	43 - 45,5	1508813
Laguna 2 backrest	48 - 50,5	1508814



Backrest plate Laguna 2

Backrest upholstery cpl

	Seat width	Art.no	
		Jemima	Grey Plush
Anlge Adjustable and Biangular	38	1435649	1435653
	43	1435650	1435654
	48	1435651	1435655



Angle adjustable



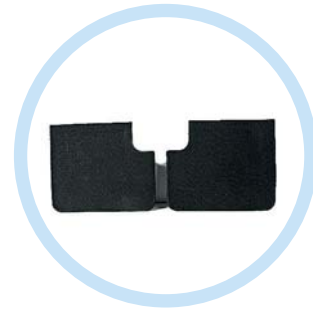
Velcro Biangular

Seatcushions

	Seat depth	Seat width	Art.nr	
			Grey Dartex	Grey Plush
Mistral 2 seat cushion	37,5 - 42,5	38	1434853	1435860
Mistral 2 seat cushion	37,5 - 42,5	40,5 - 43	1435854	1435861
Mistral 2 seat cushion	37,5 - 42,5	45,5 - 48	1435855	1435862
Mistral 2 seat cushion	37,5 - 42,5	50,5	1435859	1435866
Mistral 2 seat cushion	45 - 50	38	1435856	1435863
Mistral 2 seat cushion	45 - 50	40,5 - 43	1435857	1435864
Mistral 2 seat cushion	45 - 50	45,5 - 48	1435858	1435865
Mistral 2 seat cushion	45 - 50	50,5	1435859	1435866

Seating options

Description	Seatwidth	Art.no.
Inlay cushion for seat plate	38	1434768
	43	1434769
	48	1434770
	53	1434771



Inlay cushion

Armrest attachment

Description	Article number	
	Left	Right
Flip up	1431723	



Flip up

Trunk support

Description	Article number	
	Left	Right
Trunk support, small *	5253067-TR23	
Trunk support Swing away **	1527443	1527442

* For reclined backrest without gas spring

** For reclined backrest with gas spring



Trunk support, small

Castor attachment

Description	Article number	
	Left	Right
Castor attachment low, fixed	1434733	
Castor attachment high, height adjustable	1434754	



Attachment low, fixed



Attachment high, fixed



Trunk support, swing away

Rearwheel attachment

	Article number
Camber kit	1435807



Camber kit

Safety

Description	Art.no.	
	Left	Right
One arm brake	1449900	1449899
Parking leg (step tube)	5103276	
Anti tip device	1435470	
Anti tip device swing-away *	1508975	1508974
Brake attachment	5240241	5240240
Reflectors kit (wheel and chassi)	5104965	

* not in combination with drum brakes
not in combination with Focus 150 kg



Anti tip device



Accessories

Description	Art.no.
Cane holder	1435754



Cane holder

Indholdt

 Rea® Spirea² ®	57
 Sådan er Rea® Spirea² ® målt	59
 Individuelle dele til Rea® Spirea² ®	60

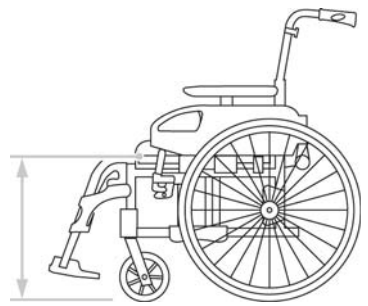
Rea® Spirea² til transport og hyppigt brug

Rea® Spirea² er en foldbar allround letvægtskørestol med indstillingsmuligheder for brugere med god siddende balance og begrænset transportbehov. Spirea² er designet således, at den er let at håndtere i alle henseender for både bruger, hjælper og terapeut. Efter opfordring fra vore kunder har vi gjort Spirea² let at genbruge ved hjælp af høj teknisk kvalitet, lavt servicebehov og lette indstillingsmuligheder.

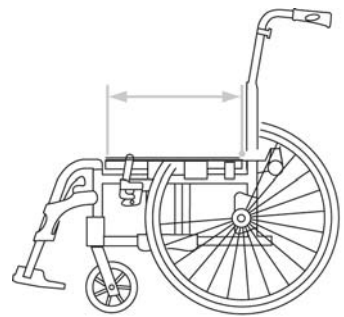


This is how Rea[™] Spirea²[®] has been measured:

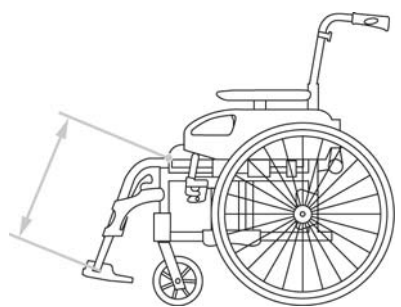
Seat height



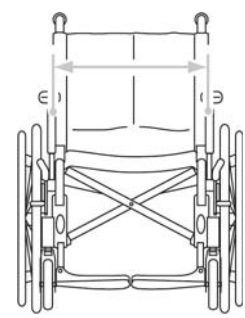
Seat depth



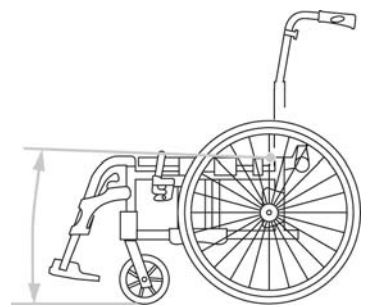
Legrest length



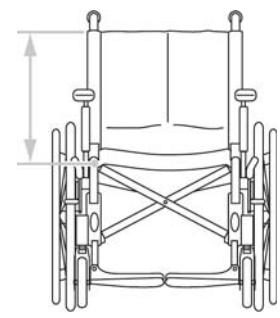
Seat width



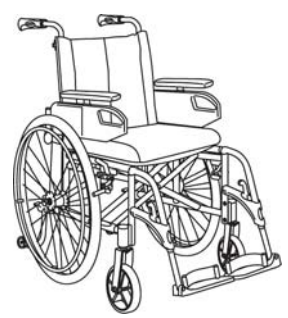
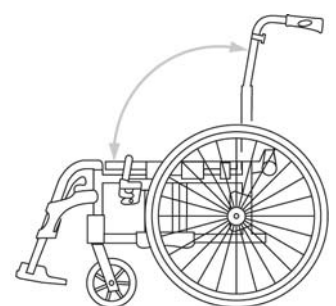
Seat angle



Backrest height



Backrest angle



* As the dimensions are in whole cm steps it might in reality mean slightly more or less adding a couple of mm

Backrest type

Seat width	Article number		
	Sling Jemima	Velcro adjustable Jemima	Grey Plush
38	5104583-TR18	5104433-TR18	5104433-TR32
40,5	5104584-TR18	5104434-TR18	5104434-TR32
43	5104385-TR18	5104435-TR18	5104435-TR32
45,5	5104386-TR18	5104436-TR18	5104436-TR32
48	1495854	1448653	1508784
50,5	5104387-TR18	5104437-TR18	5104437-TR32



Sling Jemima

Seat type

Seat width	Article number			
	Depth adjustable		Velcro adjustable	
	Seat depth 40	Seat depth 45	Seat depth 40	Seat depth 45
38	5106337	5106338	5106448	5106454
40,5	5104005	5106217	5106449	5106455
43	5106339	5106340	5106450	5106456
45,5	5104006	5106218	5106451	5106457
48	1491249	1491250	1485551	1485552
50,5	1431755	1434717	5106452	5106458



Velcro adjustable

Armrest attachment

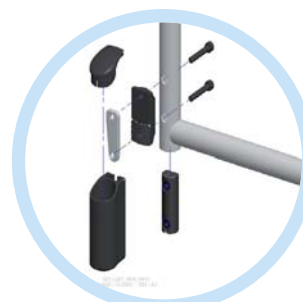
Description	Article number	
	Left	Right
Flip up	1435492	



Depth adjustable seat

Castor attachment

Description	Article number	
	Left	Right
Castor attachment fixed	1521752	



Attachment fixed



Velcro adjustable

Safety

Description	Art.no	
	Left	Right
One arm brake	1492107	1492000
Reflectors kit (wheel and chassi)	5104965	
Reflectors kit transport version	1435760	
Brake attachment	1492299	

Accessories

Description	Article number
Cane holder	5104964



Cane holder

Indhold

 Rea® Spirea³ ®	61
 Sådan er Rea® Spirea³ ® målt	63
 Individuelle dele til Rea® Spirea³ ®	64

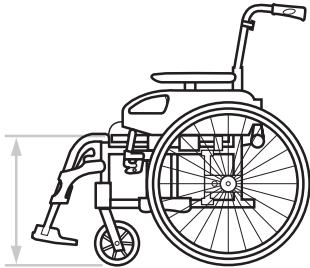
Rea® Spirea³™ til transport og hyppigt brug

Rea® Spirea³ er en foldbar allround letvægtskørestol med indstillingsmuligheder for brugere med god siddende balance og begrænset transportbehov. Spirea³™ er designet således, at den er let at håndtere i alle henseender for både bruger, hjælper og terapeut. Efter opfordring fra vore kunder har vi gjort Spirea³™ let at genbruge ved hjælp af høj teknisk kvalitet, lavt servicebehov og lette indstillingsmuligheder.

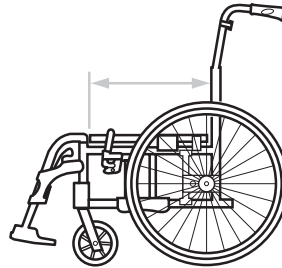


This is how Rea[™] Spirea³[®] has been measured:

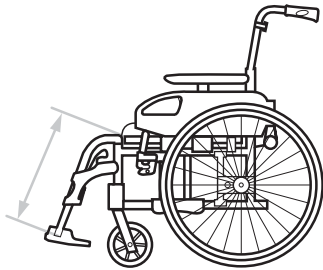
Seat height



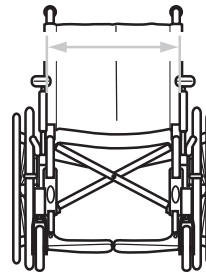
Seat depth



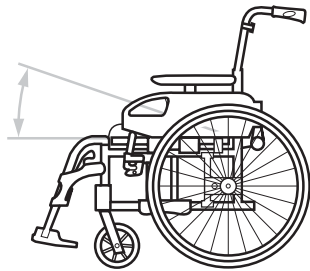
Legrest length



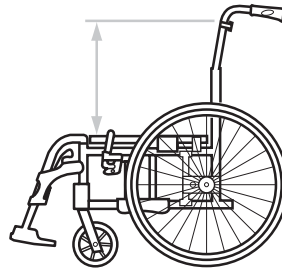
Seat width



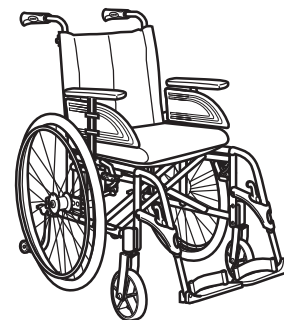
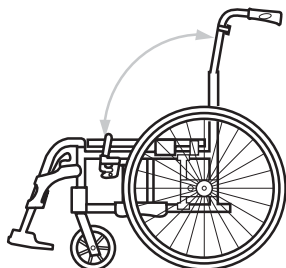
Seat angle



Backrest height



Backrest angle



Backrest type

Seat width	Art.no.	
	Velcro adjustable	
	Jemima	Grey Plush
38	1435649	1435653
40,5	1478559	1478563
43	1435650	1435654
45,5	1478560	1478564
48	1435651	1435655
50,5	1478561	1478565



Velcro adjustable

Seat type

Seat width	Art.no.			
	Depth adjustable		Velcro adjustable	
	Seat depth 40	Seat depth 45	Seat depth 40	Seat depth 45
38	5106337	5106338	5106448	5106454
40,5	5104005	5106217	5106449	5106455
43	5106339	5106340	5106450	5106456
45,5	5104006	5106218	5106451	5106457
48	1491249	1491250	1485551	1485552
50,5	1431755	1434717	5106452	5106458



Depth adjustable seat

Armrest attachment

Description	Art.no.	
	Left	Right
Flip up	1435492	

Castor attachment

Description	Art.no.	
	Left	Right
Castor attachment fixed	1521752	



Attachment fixed

Safety

Description	Art.no.	
	Left	Right
Reflectors kit (wheel and chassis)	5104965	
Brake attachment	1492299	
Anti-tip device swing-away	1513004	

One arm brake

Description	Art.no.	
	Pneumatic	Solid
38	1513044	1513045
40,5	1513044	1513045
43	1513046	1513095
45,5	1513046	1513095
48	1513046	1513095
50,5	1513046	1513095



Cane holder

Accessories

Description	Art.no.
Cane holder	5104964

Indhold

 <i>Invacare® XLT™</i>	65
 Sådan er <i>Invacare® XLT™</i> målt	67
 Individuelle dele til <i>Invacare® XLT™</i>	68

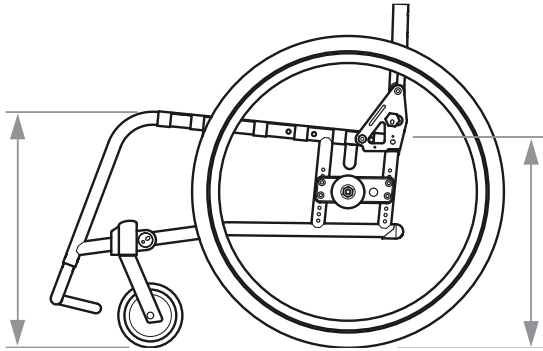
Et aktivt liv med støtte!

Den nye Invacare® fastrammestol er den idelle kørestole til dagligt brug. Stolen er designet til at kunne justeres til brugerens behov, og derfor tilbyder sine brugere en fantastisk støtte, selvstændighed, mobilitet og mulighed for at være aktiv.

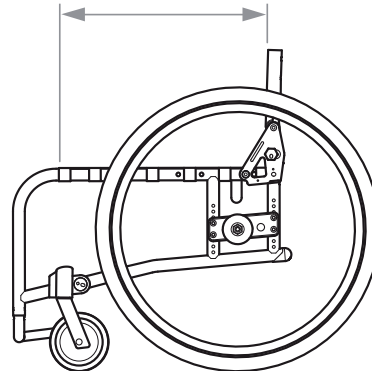


This is how Invacare® XLT. has been measured:

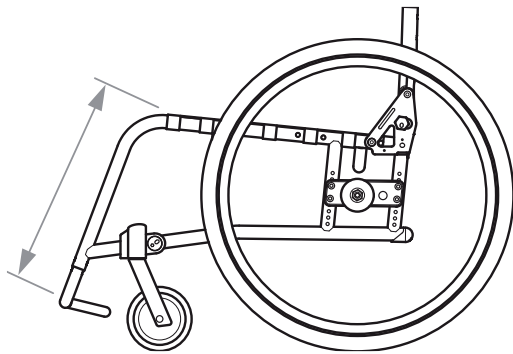
Seat height



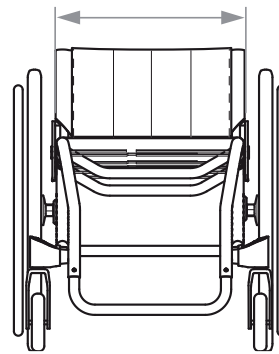
Seat depth



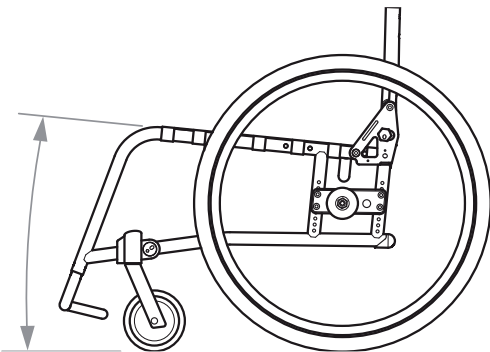
Legrest length



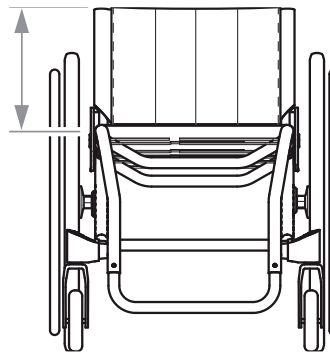
Seat width



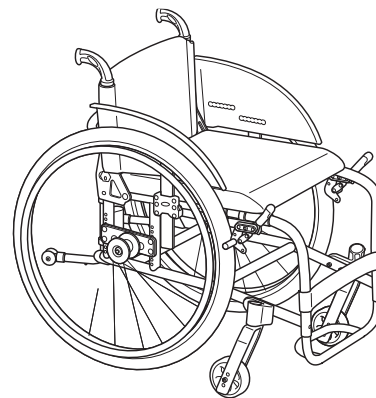
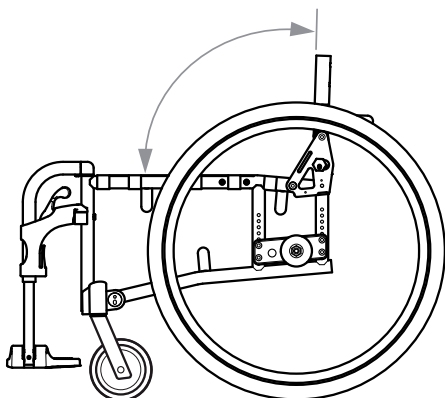
Seat angle



Backrest height



Backrest angle



* As the dimensions are in whole cm steps it might in reality mean slightly more or less adding a couple of mm

Backrest type Velcro, tension adjustable, fixed height

Description	Art.no.							
	Seatwidth							
Fixed backrest height	33 *	35,5	38	40,5	43	45,5	48	50,5*
Fixed backrest height 20 cm	1518650	1508716	1508720	1508724	1508728	1508732	1508736	1508740
Fixed backrest height 25 cm	1518651	1508717	1508721	1508725	1508729	1508733	1508737	1508741
Fixed backrest height 30 cm	1518652	1508718	1508722	1508726	1508730	1508734	1508738	1508742
Fixed backrest height 35 cm	1518653	1508719	1508723	1508727	1508731	1508735	1508739	1508743

* XLT Swing

Backrest upholstery, fixed backrest

Description	Art.no.							
	Seatwidth							
Adjustable backrest height	33 *	35,5	38	40,5	43	45,5	48	50,5*
Fixed backrest height 20 cm	1518668	1512549	1512593	1512606	1512630	1512633	1512654	1512657
Fixed backrest height 25 cm								
Fixed backrest height 30 cm	1518669	1512562	1512604	1512628	1512631	1512634	1512655	1512658
Fixed backrest height 35 cm								

* XLT Swing

Backrest type Velcro, tension adjustable, adjustable height

Description	Art.no.							
	Seatwidth							
Adjustable backrest height	33 *	35,5	38	40,5	43	45,5	48	50,5*
Adj backrest height 30-32 cm	1518654	1508716	1508720	1508724	1508728	1508732	1508736	1508740
Adj backrest height 35-39 cm	1518655	1508717	1508721	1508725	1508729	1508733	1508737	1508741
Adj backrest height 40-44 cm	1518656	1508718	1508722	1508726	1508730	1508734	1508738	1508742
Adj backrest height 45-49 cm	1518657	1508719	1508723	1508727	1508731	1508735	1508739	1508743

* XLT Swing

Backrest upholstery, adjustable backrest

Description	Art.no.							
	Seatwidth							
Adjustable backrest height	33 *	35,5	38	40,5	43	45,5	48	50,5*
Adj backrest height 30-39 cm	1518669	1512562	1512604	1512628	1512631	1512634	1512655	1512658
Adj backrest height 40-49 cm	1518670	1512563	1512605	1512629	1512632	1512653	1512656	1512659

* XLT Swing

Narrow back, fixed height

Description	Art.no.						
	Seatwidth						
Narrow back, velcro tension adj, fixed height, infinitely variable AA, foldable & click in backrest	35,5	38	40,5	43	45,5	48	50,5*
Fixed backrest height 35 cm	1516333	1516334	1516335	1516336	1516337	1516338	1516339

* XLT Swing

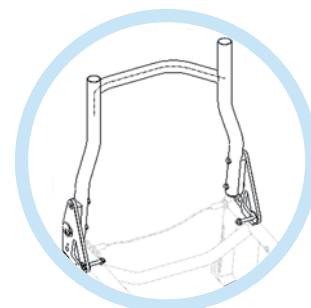
Backrest upholstery, narrow back

Description	Art.no.						
	Seatwidth						
Upholstery narrow back	35,5	38	40,5	43	45,5	48	50,5*
Fixed backrest height 35 cm	1517360	1517361	1517362	1517363	1517364	1517365	1517366

* XLT Swing

Pushhandles

Description	Art.no.
Fixed	1511455
Foldable	1511472
Height adjustable external short grip	1512795
Height adjustable external long grip	1512797
End part backrest when no pushhandles	1511595



Narrow back



Fixed pushhandles



Foldable pushhandles



Height adj. pushhandles

Pushhandles including neckrest or headrest

Description	Art.no.							
	33 *	35,5	38	40,5	43	45,5	48	50,5 *
Seat type seat width	33 *	35,5	38	40,5	43	45,5	48	50,5 *
Height adjustable pushhandles external long grip incl neckrest	1530506	1530510	1512788	1512789	1512790	1512791	1512792	1512793
Height adjustable pushhandles external long grip incl headrest	1530511	1530512	1512782	1512783	1512784	1512785	1512786	1512787
Height adjustable pushhandles external long grip incl headrest with cheek support	1530535	1530536	1512743	1512744	1512745	1512746	1512747	1512748

* XLT Swing

Trunk support

Description	Art.no.	
	left	right
Trunk support	1512867	1512866

One arm drive

Description	Art.no.							
	Seat width							
	35,5	38	40,5	43	45,5	48	50,5*	
Profiled tyres	1512860			1512861			1512862	
Solid tyres	1512863			1512864			1512865	

* XLT Swing

Fixed legrests coloured as the chassie (XLT Swing)

Description	Art.no.
Hangers 80° Pearl Grey	1493055-0515
Hangers 80° Shining Blue	1493055-0507
Hangers 80° Anthracite Black	1493055-0514
Hangers 80° Red	1493055-0501
Hangers 80° Orange (Special)	1493055-0518
Hangers 90° Pearl Grey	1493056-0515
Hangers 90° Shining Blue	1493056-0507
Hangers 90° Anthracite Black	1493056-0514
Hangers 90° Red	1493056-0501
Hangers 90° Orange (Special)	1493056-0518



Fixed legrest

Amputee legrest (XLT Swing)

Description	Art.no.	
	left	right
Amputee legrest	1512727	1512728



Amputee legrest

One piece footrest to fit seat width in cm (XLT 75/90)

Description	Art.no.					
	Seat width					
	35,5	38	40,5	43	45,5	48
Adjustable one piece footrest in depth and angle to fit Active and Dynamic frame	-	1512689	1512690		1512691	

Footrest High to fit seat width in cm (XLT 75/90)

Description	Art.no.					
	Seat width					
	35,5	38	40,5	43	45,5	48
Footrests High to fit Active and Dynamic frame	1512692	1512693	1512694	1512758	1512759	1512760

Footbow rigid to fit seat width in cm (XLT 75/90)

Seat width	Art.no.	
	low	high
35,5	1512671	1512677
38	1512672	1512678
40,5	1512673	1512679
43	1512674	1512680
45,5	1512675	1512681
48	1512676	1512682



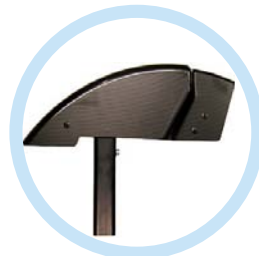
Footbow rigid

Cover for footbow rigid to fit seat width in cm

Seat width	Art.no.
35,5	1512683
38	1512684
40,5	1512685
43	1512686
45,5	1512687
48	1512688

Armrest attachment

Description	Art.no.
Flip-up Rear (pair)	1512697
Rio XLT (pair)	1512696



Mudguard

Armrest to the different wheelchair models

Description	Art.no.	
	left	right
Mudguard high	1512844	1512845
Mudguard low	1512846	1512847
Sideguard	1491238	1491237



Sideguard

Castor attachment type

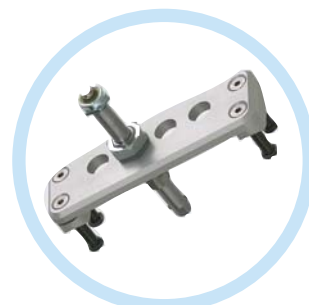
Description	Art.no.	
	Active/Dynamic frame	Swing frame
Castor attachment	1512844	1512845

Article number of castors in combination with forks

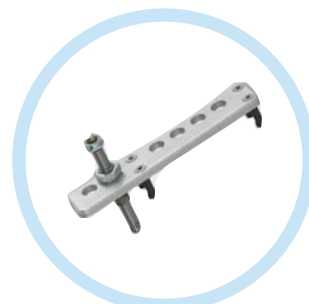
Castor (Approximate in inch)	Forks	Art.no. fixed castor + fork
75x24 soft (3")	75"	1512762
	110"	1512763
	150"	1512764
100x27 medium hard (4")	75"	1512765
	110"	1512766
	150"	1512767
125x27 soft (5")	110"	1512768
	150"	1512769
140x37 soft (5,5")	110"	1512770
	150"	1512771
150x27 medium hard (6")	110"	1512772
	150"	1512773
150x30 soft (6")	110"	1512774
	150"	1512775
150x32 pneumatic (6")	110"	1512776
	150"	1512777
180x40 pneumatic (7")	110"	1512780
	150"	1512781
180x40 soft (7")	110"	1512778
	150"	1512779



Castor cpl



Camber 3 deg



Rearwheel extension

Rearwheel attachment

Description	Art.no.
Rearwheel fixation std 0 degrees	1511869
Camber kit 3 degrees	1511930
Rear wheel extension (behind backrest frame)	1512236
Kit, DB, cpl, pair, incl, attachm.	1512718

Rearwheels 24"

Description	Art.no.
Sporty low profile, aluminium handrim (24 x 1")	1483924
24" Spinergy, low profile (24x1"), black marathon evolution, titanium handrims	1497787
Puma low profile, aluminium handrim (24 x 1")	5750796
Sporty low profile Black Marathon plus evolution, aluminium handrim(24 x 1")	1512822
Black Marathon plus evolution, aluminium handrim (24 x 1")	1512709
Black Marathon plus evolution, stainless handrim(24 x 1")	1512710
Black Marathon plus evolution, plastic coated handrim (24 x 1")	1512711
Black Marathon plus evolution, foam coated handrim(24 x 1")	1512712
Black Marathon plus evolution, black grip handrim (24 x 1")	1512713
Black Marathon plus evolution, no handrim, no clips (24 x 1")	1512714

Rearwheels 24" with std handrims

Description	24"		
	Handrims		
Tyres	Stainless	Foam coated	Black Grip
Low Profile	1531063 *	1531533 *	1531566 *
Pneumatic non marking	1530763 *	1531462 *	1531538 *
Pneumatic profiled	1530764 *	1531508 *	1531563 *
Solid	1530762 *	1531531 *	1531564 *
Puncture proof	1531129 *	1531532 *	1531565 *

* Available from 1:st of April 2010

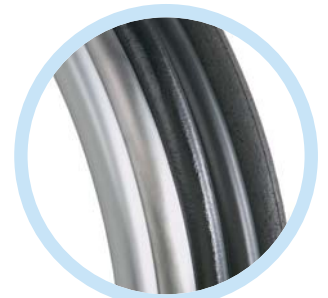


Rearwheels

Rearwheels 24"DB with std handrims

Description	24"		
	Handrims		
Tyres	Stainless	Foam coated	Black Grip
Low Profile	-	-	-
Pneumatic non marking	1531064 *	1531534 *	1531567 *
Pneumatic profiled	1531080 *	1531535 *	1531568 *
Solid	1531127 *	1531536 *	1531569 *
Puncture proof	1531128 *	1531537 *	1531570 *

* Available from 1:st of April 2010



Handrims

Rearwheels 25"

Description	Art.no.
Pneumatic non marking, aluminium handrim (special)	1508583

Rearwheels 26"

Description	Art.no.
Pneumatic non marking, aluminium handrim (special)	1508584

Safety

Description	Art.no.	
	left	right
Standard brake	1512662	
Active brake	1512665	
Performance brake *	1512668	
One arm brake	1512669	1512670
Anti tip device	1512715	1512716
Anti tip device extended	1518488	

* Not for XLT Swing



Standard brake



Active brake



Performance brake

INVACARE® EUROPE:

Belgium & Luxemburg: Invacare nv • Autobaan 22 • 8210 Loppem • www.invacare.be

Danmark: Invacare A/S • Sdr. Ringvej 37 • 2605 Brøndby • www.invacare.dk

Deutschland & Eastern Europe: Invacare Aquatec GmbH • Alemannenstraße 10 • 88316 Isny • www.invacare.de

España: Invacare SA • c/ Areny • s/n Polígon Industrial de Celrà • 17460 Celrà (Girona) • www.invacare.es

European Distributor Organisation: Invacare • Kleiststraße 49 • 32457 Porta Westfalica • www.invacare.eu.com

France & Greece: Invacare Poirier SAS • Route de St Roch • 37230 Fondettes • www.invacare.fr

Ireland: Invacare Ireland • Unit 5 Seatown Business Campus • Seatown Rd • Swords • Dublin • www.invacare.ie

Italia: Invacare Mecc San s.r.l. • Via dei Pini 62 • 36016 Thiene (VI) • www.invacare.it

Nederland: Invacare BV • Celsiusstraat 46 • 6716 BZ Ede • www.invacare.nl

Norge & Iceland: Invacare AS • Grensesvingen 9 • Postboks 6230 Etterstad • 0603 Oslo • www.invacare.no

Österreich: Mobitec Mobilitätshilfen GmbH • Herzog Odilostrasse 101 • 5310 Mondsee • www.mobitec-austria.com

Portugal: Invacare Lda • Rua Estrada Velha, 949 • 4465-784 Leça do Balio • www.invacare.pt

Sverige & Suomi: Invacare AB • Fagerstagatan 9 • P.O. Box 66 • 16391 Spånga • www.invacare.se

Switzerland: Mobitec Rehab AG • Benkenstrasse 260 • 4108 Witterswil • www.mobitec-rehab.ch

United Kingdom: Invacare Ltd • Pencoed Technology park • Pencoed • Bridgend CF35 5HZ • www.invacare.co.uk



Invacare® Danmark • Sdr. Ringvej 37 - 2605 Brøndby - Danmark
www.invacare.dk