

Spare Parts Catalogue

Version: 2015/08/17a EN



Invacare[®] **COMET**



Yes, you can.®

General Information

For any order of spare parts the following information is required:

- Product type*
- Product name & model*
- Serial Number*
- Part-Number*
- Part-Description*

Exploded view drawings and code numbers are not contractual and subject to modification, in relation to Invacare® continuous product improvement policy to meet end users needs.

The reproduction or use of this work, or of any substantial part of this work, in any form or by any electronic, mechanical or other means, including photocopying, scanning and recording, and in any information storage and retrieval system, including electronic transmission, is forbidden without the prior written permission of Invacare® International Sarl.



Yes, you can.®

TABLE OF CONTENTS

Information

Accessory Compatibility	5
User Manuals Comet	6

Chassis

Front frame 3-Wheeler	7
Front shroud 3-Wheeler	8
Front frame 4-Wheeler	9
Front shroud 4-Wheeler	10
Rear frame	11
Rear shroud	12

Seat

Seat & Seat Options	13
Seat & Seat Options	14

Front / Rear Wheel

Front wheel 3-Wheeler	15
Front wheel 4-Wheeler	16
Rear wheel	17
Anti-tipp-wheel	18

Propulsion

Propulsion 10/12.8/15 km/h	19
Motors, Powermodules & Speed Reduction	20
Motors, Powermodules & Speed Reduction	20
Upgrade Kits - Powermodules & Speed Reduction	21
Batteries	22

Brakes

Brakes 3 Wheeler	23
Brakes 4 Wheeler	24

Steering

Steering	25
Drive Electronics Steering Bar	26
Frontfork 3-Wheeler	27
Steering linkage 4-Wheeler	28

Cable and Charger

Chargers	29
Cable	30

Safety Options

Warning Triangle	31
------------------------	----













Yes, you can.®

TABLE OF CONTENTS

Other Options & Accessories

Accessories	32
Accessory Compatibility	5
Rollator bracket	33
Storage box rear bracket	34
Veltop Rain- & Suncover	35

ComComp.dr

					
	û				
	û	û			
	û	û	û		
	ü	û	û	û	
	ü	û	û	ü	ü

Pos.	Part number	Description	Valid from → until	Qty
-	-	For further information please contact your customer service.		1

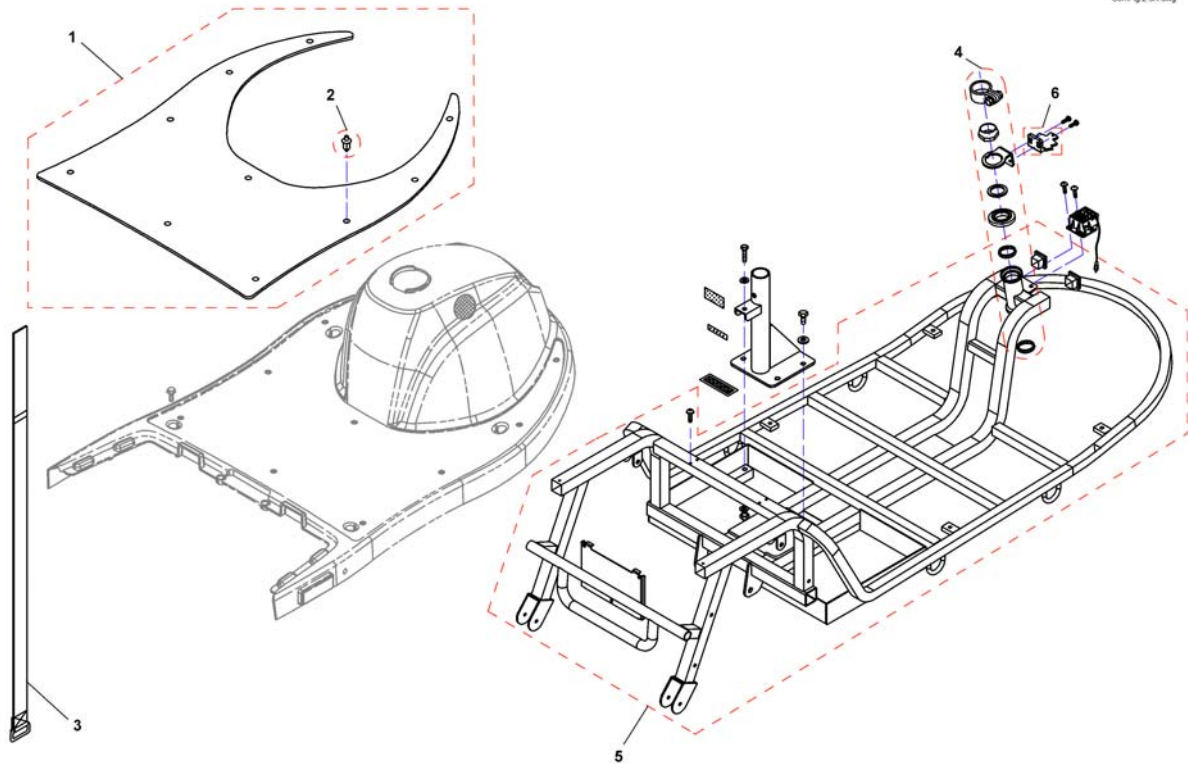
User Manuals Comet

languages.io

BG	Български	FR	Français	NL	Nederlands	SV	Svenska
CS	Čeština	HE	עברית	NO	Norsk	UK	Українська
DA	Dansk	HR	Hrvatski	PL	Polski		
DE	Deutsch	HU	Magyar	PT	Português		
EN	English	IT	Italiano	RU	Русский		
ES	Español	JA	日本語	RO	Română		
ET	Eesti	LV	Latviešu	SK	Slovenčina		
FI	Suomi	LT	Lietuvių	SL	Slovenščina		

Pos.	Part number	Description	Valid from → until	Qty
CZ	1514593	User Manual Comet Czech		1
DA	1514594	User Manual Comet Danish		1
DE	1514596	User Manual Comet German		1
EN	1514597	User Manual Comet English		1
ES	1514598	User Manual Comet Spanish		1
ET	1514599	User Manual Comet Estonian		1
FR	1514600	User Manual Comet French		1
IT	1514601	User Manual Comet Italian		1
LT	1514602	User Manual Comet Lithuanian		1
NL	1514603	User Manual Comet Dutch		1
NO	1514604	User Manual Comet Norwegian		1
PL	1514605	User Manual Comet Polish		1
PT	1514606	User Manual Comet Portuguese		1
SK	1514607	User Manual Comet Slovenian		1
SV	1514608	User Manual Comet Swedish		1
FI	1527700	User Manual Comet Finsk		1
DE	SP1550400	User Manual Country German		1
UK	SP1579822	User Manual Comet UK		1

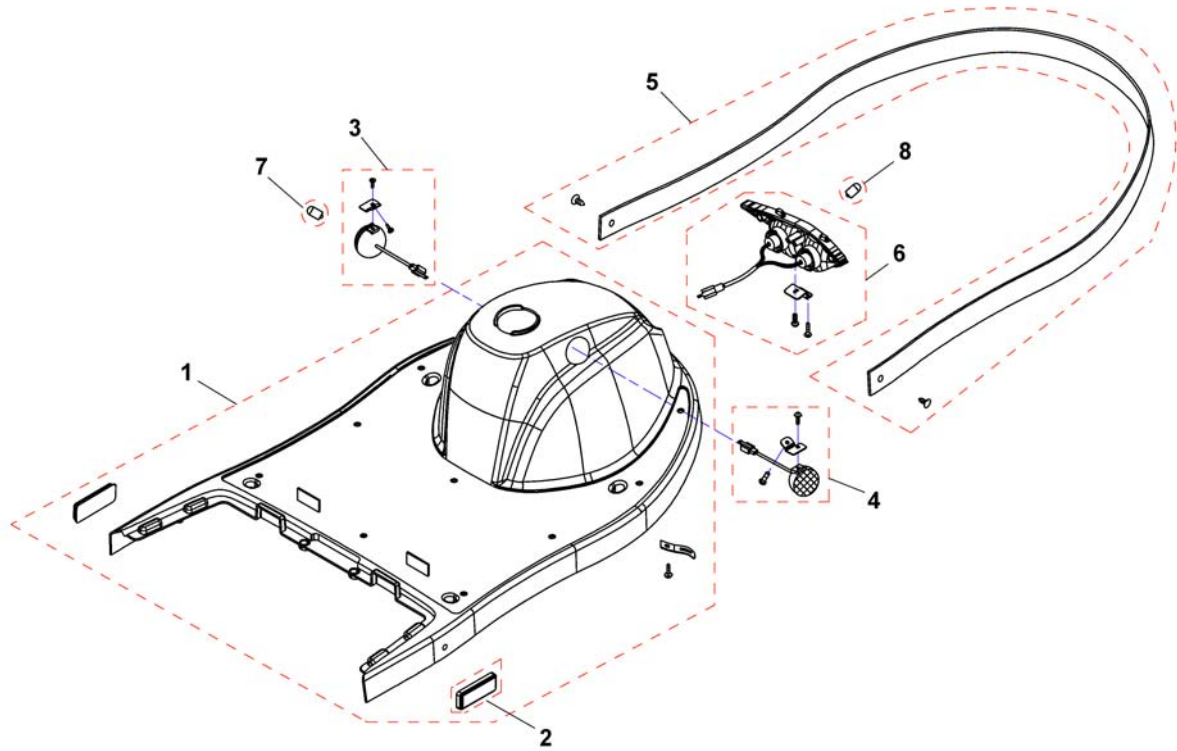
Conf: Fig. 2-3R.dwg



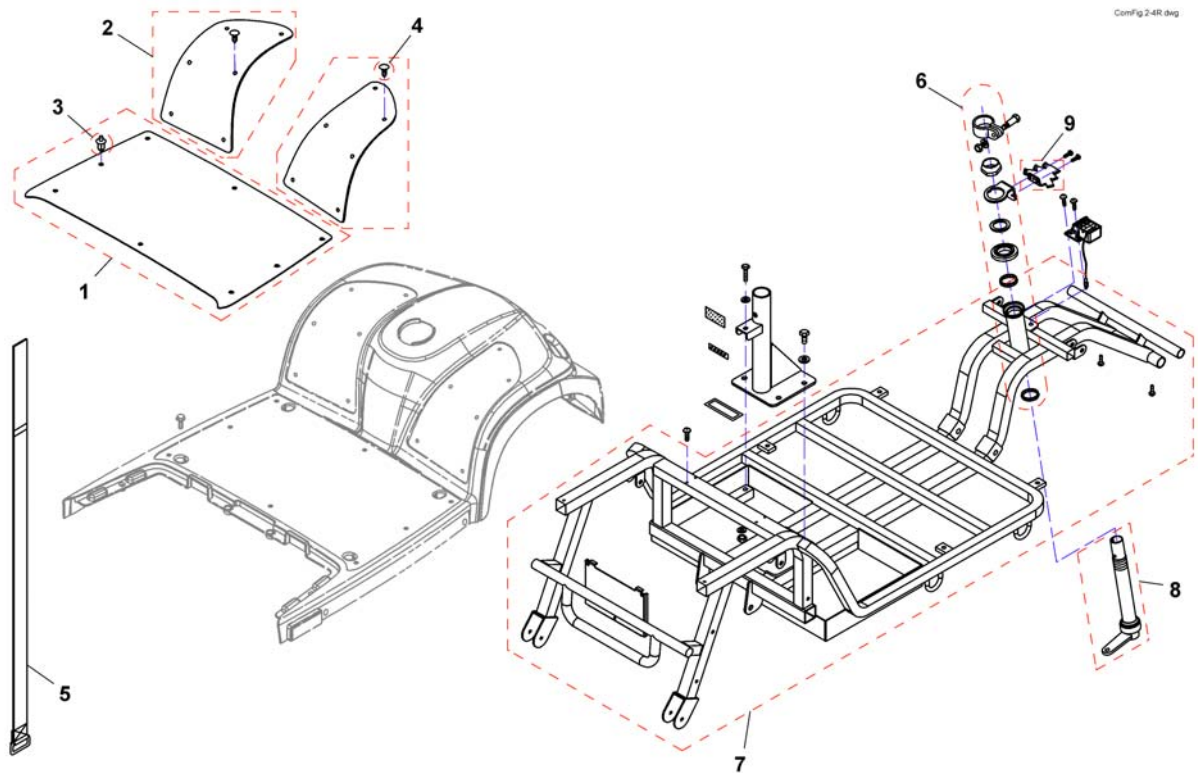
Pos.	Part number	Description	Valid from → until	Qty
1	SP1521765	Pad, Leg Shield		1
2	SP1505476	Push Rivet		1
3	SP1521758	Band, Battery Comp.		1
4	SP1505487	Bearing Kit		1
5	SP1521729	Frame 3-Wheeler		1
6	SP1536164	Trigger limit switch		1

Front shroud 3-Wheeler

ConFig 2-1-3R.dwg

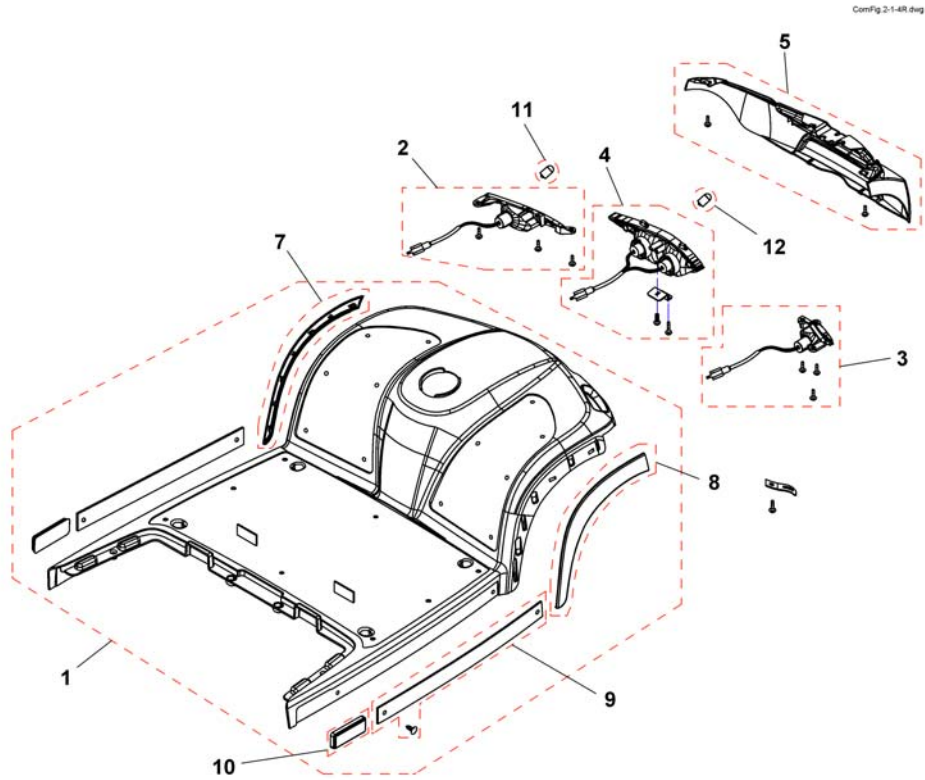


Pos.	Part number	Description	Valid from → until	Qty
-	SP1523450	Touch-up Paint - Moonstone Silver		1
-	SP1523462	Touch-up Paint - Onyx Blue		1
1	SP1521730	Shroud, silver		1
1	SP1521731	Shroud, blue		1
1	SP1559815	Shroud, slate grey		1
2	SP1517331	Reflector		1
3	SP1518016	Turn Signal LH		1
4	SP1518017	Turn Signal RH		1
5	SP1557367	Moulding		1
6	SP1517878	Head Light, compl.	→ 2008-08-18	1
6	SP1527473	Head Light, compl.	2008-08-19 →	1
7	SP1522030	Bulb Turn Signal 24V/10W		1
8	SP1522029	Bulb Head Light 24V/21W	→ 2008-08-18	1
8	SP1527474	Bulb Head Light 12V/15W	2008-08-19 →	1



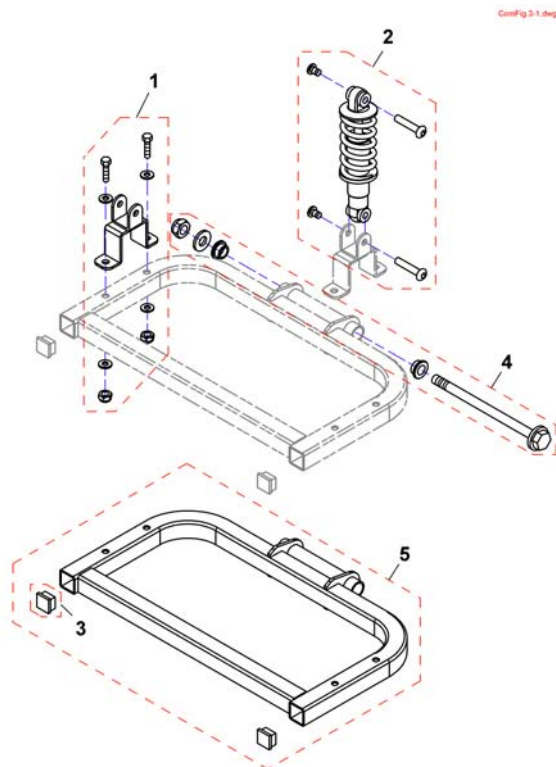
Pos.	Part number	Description	Valid from → until	Qty
1	SP1521755	Pad, Leg Shield		1
2	SP1521756	Pad Front RH/LH		1
3	SP1505476	Push Rivet		1
4	SP1505479	Tree Rivet (6 Pieces)		1
5	SP1521758	Band, Battery Comp.		1
6	SP1505487	Bearing Kit		1
7	SP1521760	Front		1
8	SP1561395	Steering link		1
9	SP1536164	Trigger limit switch		1

Front shroud 4-Wheeler



Pos.	Part number	Description	Valid from → until	Qty
	SP1523450	Touch-up Paint - Moonstone Silver		1
	SP1523462	Touch-up Paint - Onyx Blue		1
	SP1537798	Touch-up Paint - Slate Grey		1
	SP1589181	Touch-up Paint - Ruby Red		1
1	SP1521732	Front Shroud - Moonstone Silver		1
1	SP1521733	Front Shroud - Onyx Blue		1
1	SP1537792	Front Shroud - Slate Grey		1
1	SP1551635	Front Shroud - Ruby Red (GB & DE only)		1
2	SP1517733	Turn Signal LH		1
3	SP1517734	Turn Signal RH		1
4	SP1517878	Head Light, compl.	→ 2008-08-18	1
4	SP1527473	Head Light, compl.	2008-08-19 →	1
5	SP1521762	Cover Bumper Front		1
7	SP1521735	Moulding LH		1
8	SP1521734	Moulding RH		1
9	SP1521754	Moulding		1
10	SP1517331	Reflector		1
11	SP1522030	Bulb Turn Signal 24V/10W		1
12	SP1522029	Bulb Head Light 24V/21W	→ 2008-08-18	1
12	SP1527474	Bulb Head Light 12V/15W	2008-08-19 →	1

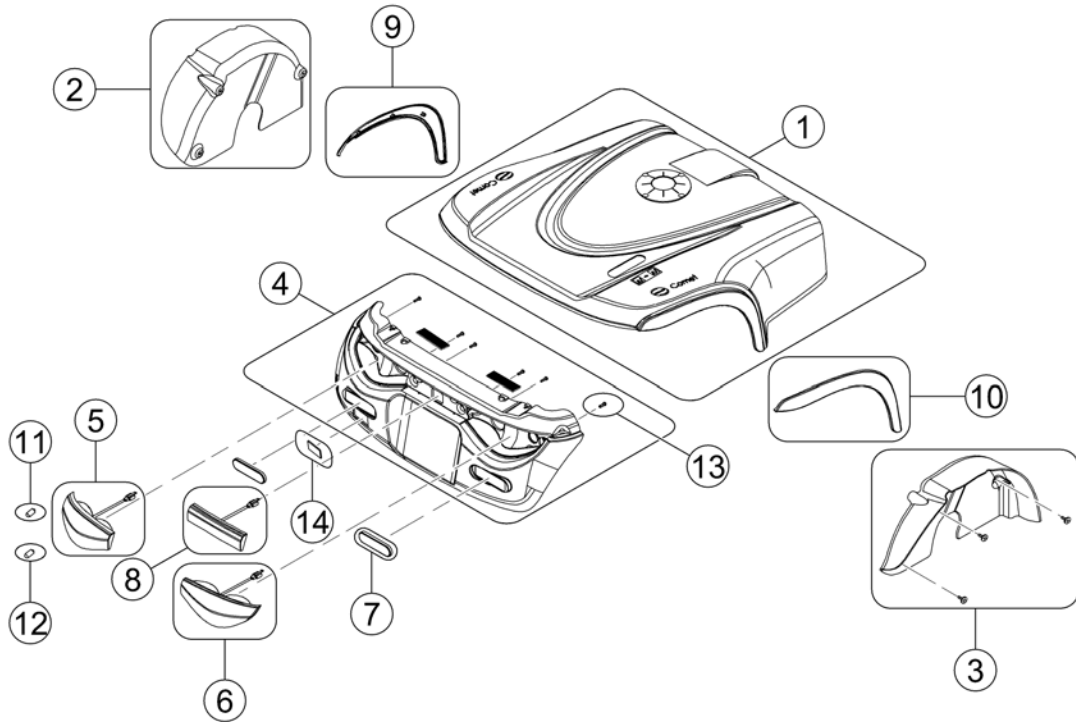
Rear frame



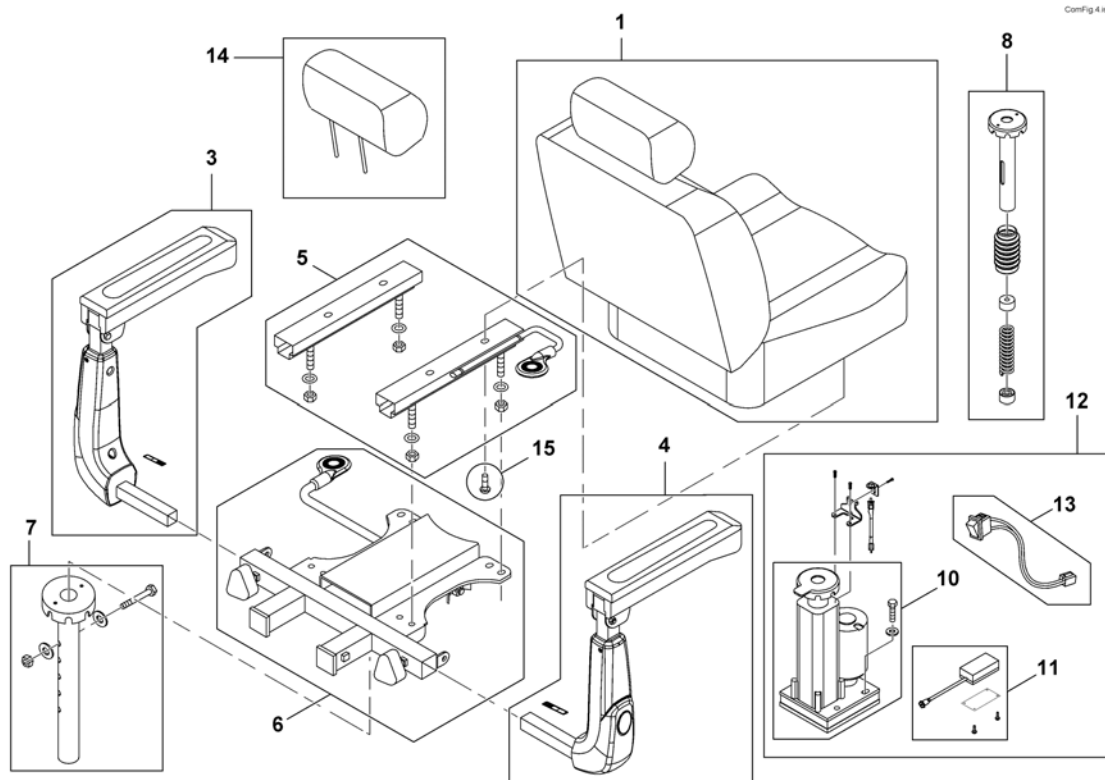
Pos.	Part number	Description	Valid from → until	Qty
1	SP1521888	Holder Differenzial		1
1	SP1533846	Holder Differenzial Comet HD / Alpine		1
2	SP1521886	Shock Absorber (350lbs)		1
2	SP1533847	Shock Absorber Comet HD (165mm, 550lbs)		1
2	SP1533848	Shock Absorber Comet Alpine (150mm, 550lbs)		1
3	SP1521597	plastic cap		1
4	SP1541614	Mounting-kit rear frame		1
5	SP1541615	Rear frame, Comet standard		1
5	SP1541616	Rear frame, Comet HD		1

Rear shroud

Conf. 3.3a

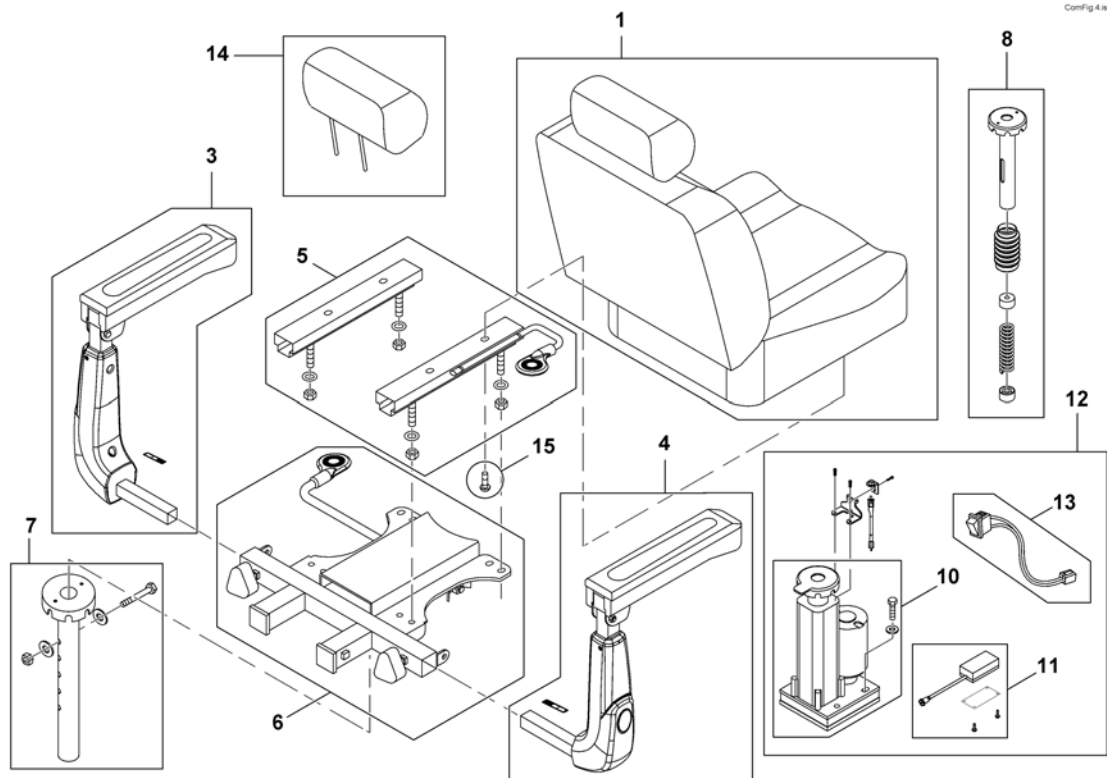


Pos.	Part number	Description	Valid from → until	Qty
1	SP1521837	Rear Shroud - Moonstone Silver		1
1	SP1521838	Rear Shroud - Onyx Blue		1
1	SP1537793	Rear Shroud - Slate Grey (Comet HD)		1
1	SP1537794	Rear Shroud - Slate Grey (Comet Alpine)		1
1	SP1551636	Rear Shroud - Ruby Red (GB & DE only)		1
2	SP1521862	Fender, left		1
3	SP1521839	Fender, right		1
4	SP1521683	Cover Bumper Rear		1
5	SP1518034	Rear Light incl. Turn Signal - LH		1
6	SP1518033	Rear Light incl. Turn Signal - RH		1
7	SP1518036	Reflector-R, E-Mark		2
8	SP1518035	Brake Light, compl.		1
9	SP1521882	Rear Cover, LH		1
10	SP1521883	Rear Cover, RH		1
11	SP1522030	Bulb Turn Signal 24V/10W		2
12	SP1522034	Bulb Rear Light 24V/5W		2
13	1505418	Tapping Screw (4x12)		6
14	SP1521879	Plug, Bumper Rear		1



Pos.	Part number	Description	Valid from → until	Qty
1	SP1586116	Seat 20" Standard, double white stitching		1
1	SP1586113	Seat 22" Standard, double white stitching		1
1	SP1586115	Seat 26" HD, double white stitching		1
3	SP1521689	Armrest LH		1
3	SP1533706	Armrest LH, Comet HD		1
4	SP1521688	Armrest RH		1
4	SP1533707	Armrest RH, Comet HD		1
5	SP1521690	Slide Assembly		1
6	1505533	Seatbracket Assembly Standard		1
6	SP1533708	Seatbracket Assembly Comet HD		1
7	SP1521691	Seatpost		1
8	SP1528986	Seat Suspension Comet 508,5mm up to 100kg <i>not available for Comet HD</i>		1
8	SP1528987	Seat Suspension Comet 533,5mm up to 100kg <i>not available for Comet HD</i>		1
8	SP1528988	Seat Suspension Comet 558,5mm up to 100kg <i>not available for Comet HD</i>		1
8	SP1522459	Seat Suspension Comet 508,5mm up to 160kg		1
8	SP1522460	Seat Suspension Comet 533,5mm up to 160kg		1
8	SP1522461	Seat Suspension Comet 558,5mm up to 160kg		1
10	SP1521979	Lifter		1
11	SP1521986	Controller Seatlifter		1
12	SP1521980	Seat Lifter (120mm Stroke) Kit Comet, cpl. <i>When retrofitting a seatlifter to a scooter => 18/08/08 remember to order the main cable-loom - not available for Comet HD</i>		1
13	SP1522037	Switch Seatlifter		1
14	SP1529380	Headrest		1
15	1505534	Bolt, Slide cpl. (M8x15)		4

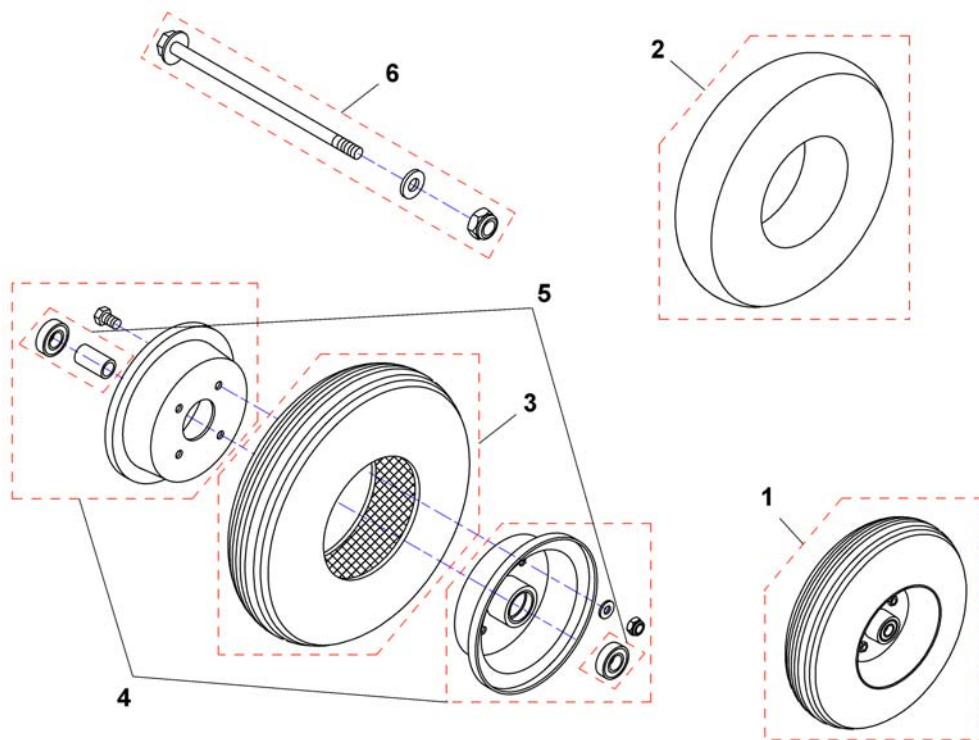
Seat & Seat Options



Pos.	Part number	Description	Valid from → until	Qty
1	SP1521890	Seat 20" Standard		1
1	SP1584887	Seat 20" HD		1
1	SP1533705	Seat 26" HD		1
3	SP1521689	Armrest LH		1
3	SP1533706	Armrest LH, Comet HD		1
4	SP1521688	Armrest RH		1
4	SP1533707	Armrest RH, Comet HD		1
5	SP1521690	Slide Assembly		1
6	1505533	Seatbracket Assembly Standard		1
6	SP1533708	Seatbracket Assembly Comet HD		1
7	SP1521691	Seatpost		1
8	SP1528986	Seat Suspension Comet 508,5mm up to 100kg <i>not available for Comet HD</i>		1
8	SP1528987	Seat Suspension Comet 533,5mm up to 100kg <i>not available for Comet HD</i>		1
8	SP1528988	Seat Suspension Comet 558,5mm up to 100kg <i>not available for Comet HD</i>		1
8	SP1522459	Seat Suspension Comet 508,5mm up to 160kg		1
8	SP1522460	Seat Suspension Comet 533,5mm up to 160kg		1
8	SP1522461	Seat Suspension Comet 558,5mm up to 160kg		1
10	SP1521979	Lifter		1
11	SP1521986	Controller Seatlifter		1
12	SP1521980	Seat Lifter (120mm Stroke) Kit Comet, cpl. <i>When retrofitting a seatlifter to a scooter => 18/08/08 remember to order the main cable-loom - not available for Comet HD</i>		1
13	SP1522037	Switch Seatlifter		1
14	SP1529380	Headrest		1
15	1505534	Bolt, Slide cpl. (M8x15)		4

Front wheel 3-Wheeler

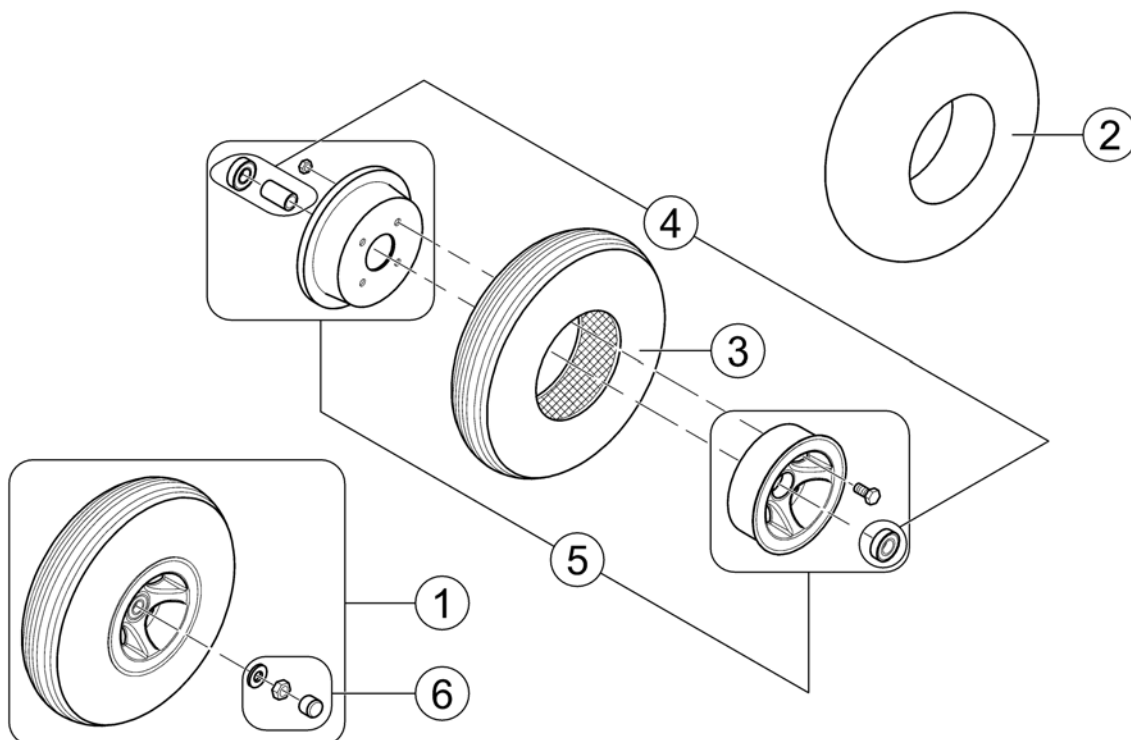
15219865.dwg



Pos.	Part number	Description	Valid from → until	Qty
1	SP1521998	Front Wheel (3W) with tube 13", cpl. - grey		1
1	SP1586117	Front Wheel (3W) with tube 13", cpl. - black		1
2	SP1527714	Tube		1
3	SP1527750	Tyre with tube 13" - grey		1
3	SP1586118	Tyre with tube 13" - black		1
3	SP1543159	Solid Tyre PU 13" - grey		1
3	SP1586119	Solid Tyre PU 13" - black		1
4	SP1527754	Front Wheel (3W) Rim-Kit		1
5	SP1527747	Bearing-Kit		1
6	SP1557458	Front axle, cpl.		1

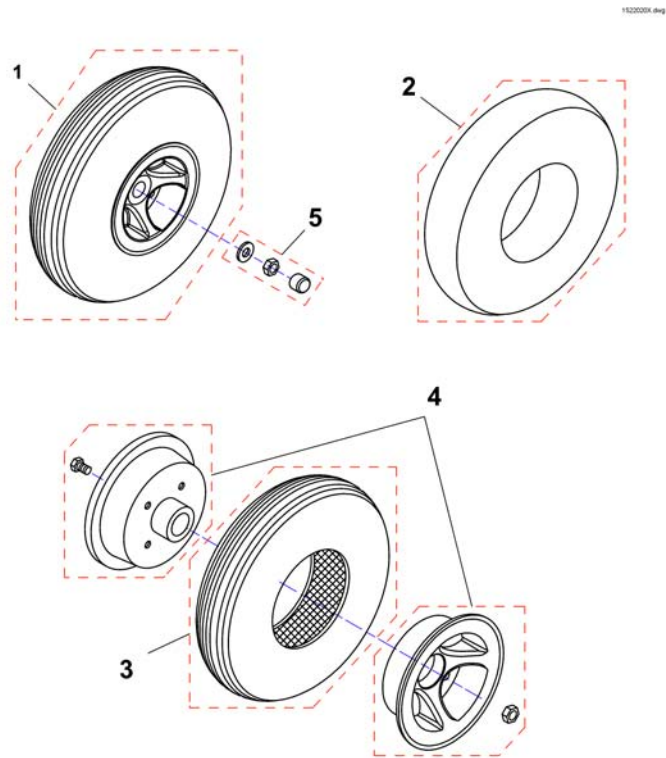
Front wheel 4-Wheeler

1521999X.ilo



Pos.	Part number	Description	Valid from → until	Qty
1	SP1521999	Front Wheel (4W) with tube 13", cpl. - grey		1
1	SP1586120	Front Wheel (4W) with tube 13", cpl. - black		1
2	SP1527714	Tube		1
3	SP1527750	Tyre with tube 13" - grey		1
3	SP1586118	Tyre with tube 13" - black		1
3	SP1543159	Solid Tyre PU 13" - grey		1
3	SP1586119	Solid Tyre PU 13" - black		1
4	SP1527751	Bearing-Kit		1
5	SP1580174	Front Wheel (4W) Rim Kit		1
6	SP1557460	Mounting Kit, Frontwheel		1

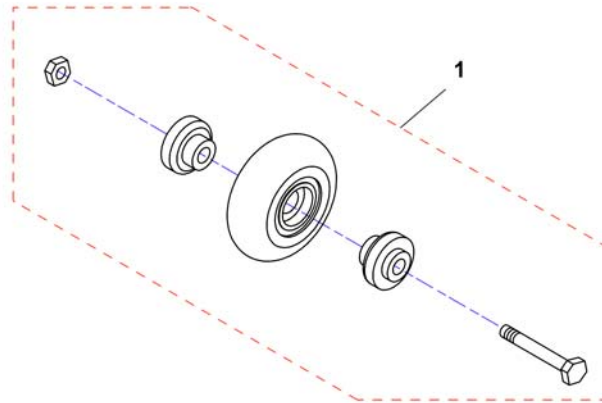
Rear wheel



Pos.	Part number	Description	Valid from → until	Qty
1	SP1522020	Rear Wheel with tube 13", cpl. - grey		1
1	SP1586121	Rear Wheel with tube 13", cpl. - black		1
2	SP1527714	Tube		1
3	SP1527750	Tyre with tube 13" - grey		1
3	SP1586118	Tyre with tube 13" - black		1
3	SP1543159	Solid Tyre PU 13" - grey		1
3	SP1586119	Solid Tyre PU 13" - black		1
4	SP1527749	Rear Wheel Rim-Kit		1
5	SP1557459	Mounting Kit, Rear Wheel		1

Anti-tipp-wheel

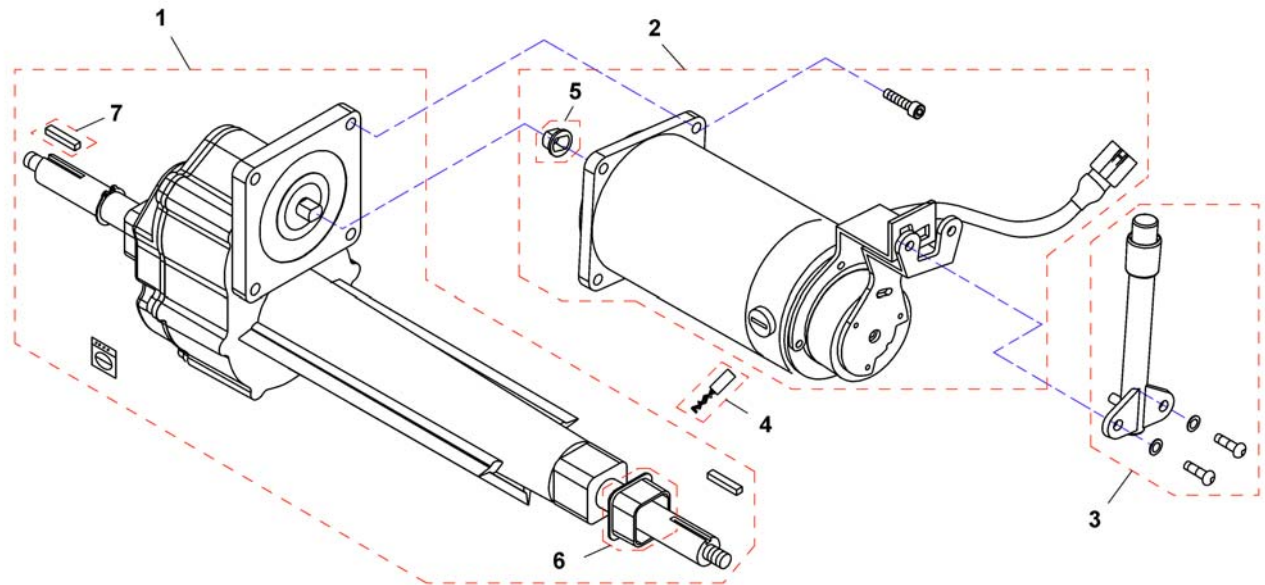
1522021X.dwg



Pos.	Part number	Description	Valid from → until	Qty
1	SP1522021	Wheel, Anti-Tipper		1

Propulsion 10/12.8/15 km/h

ComFig 6.dwg



Pos.	Part number	Description	Valid from → until	Qty
1	SP1522011	Differential 10 km/h		1
1	SP1522013	Differential 12,8 km/h & 15 km/h		1
1	SP1533710	Differenzial Comet HD / Alpine 10km/h		1
2	-	Motors, Powermodules & Speed Reduction		0
3	SP1505672	Disclutching Lever 113,2 mm		1
-	SP1587600	Brush Cap Set		1
4	SP1533853	Carbon Brush Comet HD/Alpine (4 Pieces)		1
-	SP1587601	Brush Cap Set (HD / Alpine)		1
5	1505667	Guide		1
5	SP1533842	Guide Comet HD / Alpine		1
6	SP1533852	Rubber Pad		1
7	1505669	Key 5x30		1
7	SP1553438	Key 5x35 <i>Comet HD/Alpine</i>		1
4	SP1527845	Carbon Brush (4 Pieces)		1

Motors, Powermodules & Speed Reduction

1577207.xls

Name	Wheels	Color	Notice	km/h	Serialnumber	Rhino	Motor	Power-module	Speed Reduction
Comet	3	blue		15	-> 11FRA0049	1	9	25	33
Comet	3	blue		15	11FRA0050 - 11GRA0005	1	9	25	30
Comet	3	blue		15	11GRA0006 ->	2	10	20	30
Comet	3	blue	⊘	15	-> 11FRA0096	1	9	25	33
Comet	3	blue	⊘	15	11FRA0097 - 11GRA0023	1	9	25	30
Comet	3	blue	⊘	15	11GRA0024 ->	2	10	20	30
Comet	3	silver		15	-> 11FRA0045	1	9	25	33
Comet	3	silver		15	11FRA0046 - 11GRA0000	1	9	25	30
Comet	3	silver		15	11GRA0001 ->	2	10	20	30
Comet	4	blue		12,8	-> 11FRB0416	1	9	25	33
Comet	4	blue		12,8	11FRB0417 - 11GRB0122	1	9	25	30
Comet	4	blue		12,8	11GRB0123 ->	2	10	20	30
Comet	4	silver		12,8	-> 11FRB0411	1	9	25	33
Comet	4	silver		12,8	11FRB0412 - 11GRB0115	1	9	25	30
Comet	4	silver		12,8	11GRB0116 ->	2	10	20	30
Comet	4	blue		15	-> 11FRB0376	1	9	25	33
Comet	4	blue		15	11FRB0377 - 11GRB0024	1	9	25	30
Comet	4	blue		15	11GRB0025 ->	2	10	20	30
Comet	4	silver		15	-> 11FRB0391	1	9	25	33
Comet	4	silver		15	11FRB0392 - 11FRB0786	1	9	25	30
Comet	4	silver		15	11FRB0787 ->	2	10	20	30
Comet HD	4	grey		10	-> 11FRB0406	1	11	17/18	32
Comet HD	4	grey		10	11FRB0407 - 11GRB0129	1	11	17/18	28
Comet HD	4	grey		10	11GRB0130 ->	2	12	21	28
Comet Alpine	3	grey	⊘	10	->11FRA0042	1	13	17/18	32
Comet Alpine	3	grey	⊘	10	11FRA0043 - 11GRA0013	1	13	17/18	28
Comet Alpine	3	grey	⊘	10	11GRA0014 ->	2	14	21	28
Comet Alpine	4	grey		10	-> 11FRB0401	1	13	17/18	32
Comet Alpine	4	grey		10	11FRB0402 - 11GRB0020	1	13	17/18	28
Comet Alpine	4	grey		10	11GRB0021 ->	2	14	21	28
Comet Alpine	4	grey	⊘	10	-> 11FRB0299	1	13	17/18	32
Comet Alpine	4	grey	⊘	10	11FRB0300 - 11GRB0025	1	13	17/18	28
Comet Alpine	4	grey	⊘	10	11GRB0026 ->	2	14	21	28

⊘ = without batteries

Pos.	Part number	Description	Valid from → until	Qty
9	SP1522017	Motor 12,8 km/h & 15 km/h, Rhino		1
10	SP1553429	Motor 12,8 km/h & 15 km/h, Rhino2		1
11	SP1533850	Motor 10km/h Comet HD, Rhino		1
12	SP1553426	Motor 10 km/h Comet HD, Rhino2		1
13	SP1533851	Motor 10 km/h Comet Alpine, Rhino		1
14	SP1553427	Motor, 10 km/h Comet Alpine, Rhino2		1
17	-	No longer available.		1
18	-	No longer available.		1
20	SP1553399	Controller, Rhino2, 120A, DS120		1
21	SP1553400	Controller, Rhino2, 160A, DS160		1
25	SP1559396	Upgrade Kit Comet 12,8 & 15km/h Rhino1 - 110A to Rhino2 - 120A		1
-	-	For Mounting the Speed Reduction Switch, the Adjustment Gauge SP1581766 is needed!		0
-	-	Adjustment Gauge, Speed Reduction Switch		1
28	SP1556266	Speed Limit Switch Box 2. Generation, Orion 3 & 4-wheel 6 km/h - Comet/Comet Alpine 3 & 4-wheel 10 km/h & Comet HD 10 km/h		1
30	SP1556282	Speed Limit Switch Box 2. Generation, Orion 3 & 4-wheel 12 km/h - Comet 3 & 4-wheel 12,8 & 15 km/h		1
32	SP1554026	Speed Limit Switch Box Upgrade Kit to 2. Generation, Orion 4-Wheel 10 km/h - Comet/Comet Alpine 3 & 4-Wheel 10 km/h & Comet HD 10 km/h		1
33	SP1554027	Speed Limit Switch Box Upgrade Kit to 2. Generation, Orion 4-Wheel 12 km/h - Comet 3 & 4-Wheel 12,8 & 15 km/h		1

Upgrade Kits - Powermodules & Speed Reduction

RHINOUPGRADE.iss

Upgrade Kit Powermodule - Rhino >>> Rhino2

incl. Controller & Motor Assembly

Orion			Comet		Comet Alpine	Comet HD
6 km/h	10 km/h	12 km/h	12,8 km/h	15 km/h	10 km/h	10 km/h
22	23	24	25		26	27

Upgrade Kit Speed Reduction - Generation 1 >>> Generation 2

	3-Wheel					4-Wheel				
	6 km/h	10 km/h	12 km/h	12,8 km/h	15 km/h	6 km/h	10 km/h	12 km/h	12,8 km/h	15 km/h
Orion	34	35	36	-	-	31	32	33	-	-
Comet	-	32	-	33	33	-	32	-	33	33
Comet HD	-	32	-	-	-	-	32	-	-	-
Comet Alpine	-	32	-	-	-	-	32	-	-	-

Pos.	Part number	Description	Valid from → until	Qty
22	SP1553627	Upgrade Kit Orion 6km/h Rhino - 70A to Rhino2 - 90A		1
23	SP1559360	Upgrade Kit Orion 10km/h Rhino - 110A to Rhino2 - 120A		1
24	SP1559395	Upgrade Kit Orion 12km/h Rhino - 110A to Rhino2 - 120A		1
25	SP1559396	Upgrade Kit Comet 12,8 & 15km/h Rhino1 - 110A to Rhino2 - 120A		1
26	SP1559397	Upgrade Kit Comet Alpine Rhino1 - 160A to Rhino2 - 160A		1
27	SP1559398	Upgrade Kit Comet HD Rhino1 - 160A to Rhino2 - 160A		1
-		For Mounting the Speed Reduction Switch, the Adjustment Gauge SP1581766 is needed!		0
-		Adjustment Gauge, Speed Reduction Switch		1
31	SP1554025	Speed Limit Switch Box Upgrade Kit to 2. Generation, Orion 4-Wheel 6km/h		1
32	SP1554026	Speed Limit Switch Box Upgrade Kit to 2. Generation, Orion 4-Wheel 10 km/h - Comet/Comet Alpine 3 & 4-Wheel 10 km/h & Comet HD 10 km/h		1
33	SP1554027	Speed Limit Switch Box Upgrade Kit to 2. Generation, Orion 4-Wheel 12 km/h - Comet 3 & 4-Wheel 12,8 & 15 km/h		1
34	SP1554028	Speed Limit Switch Box Upgrade Kit to 2. Generation, Orion 3-Wheel 6 km/h		1
35	SP1554029	Speed Limit Switch Box Upgrade Kit to 2. Generation, Orion 3-Wheel 10 km/h		1
36	SP1554030	Speed Limit Switch Box Upgrade Kit to 2. Generation, Orion 3-Wheel 12 km/h		1

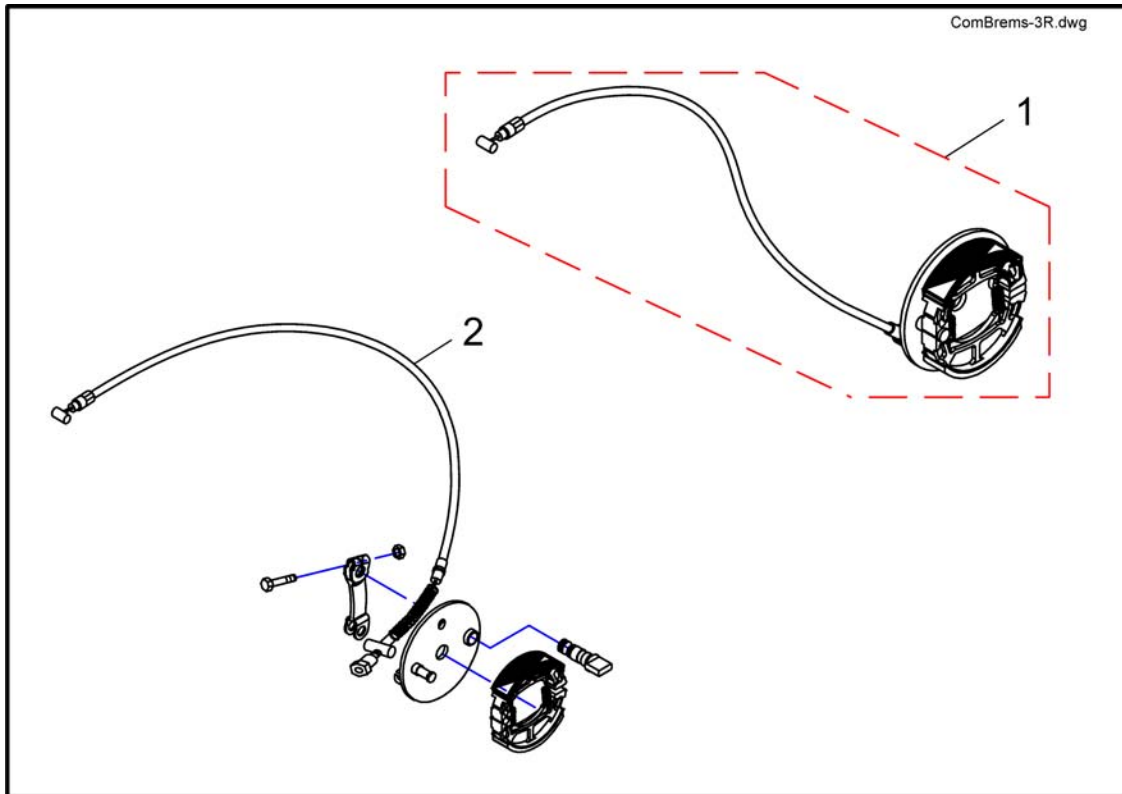
Batteries

	Capacity [Ah]															
	1,2	12	30	31	32	36	38	40	40	50	50	50,9	60	73,6	75	97,6
Bora/SpectraXTR								8		10						
Dragon										10			13			
Dragon Vertic													13			
FDX													13			
G50													13	14		16
Kite													13	14		
Mirage				4				8								
Mistral3				4									12			
P9000XDT					5											
Pronto M41					5											
Pronto M61					5											
Spectra Blitz								8					12			
Spectra Comfort								7								
Spectra Plus								7								
Spectra Seat Riser								7								
Storm3										10			13	14		
Storm3 True Track	1													14		
Storm3 Vertic														14		
Storm4														14		
Storm4 Max														14		
Stream										10			13			
TDX-SP														14		
TDX-SP Narrow													12			
Tiger										10			13			
Topan													13			
Tornado								8								
Typhoon													13			
Typhoon GB	1												13			
Typhoon GB	1												13			
Zephyr	1												13			
Auriga			3					8		10						
Comet														14	15	
Leo						6			9							
Lynx		2														
Meteor														14		
Orion												11				
length [mm]	97	152	197	196	211	196	210	197	198	198	198	238	259	260	260	329
width [mm]	49	99	132	132	132	130	175	168	165	166	165	140	169	171	168	171
height [mm]	51	102	180	183	183	179	175	175	171	176	170	235	178	210	223	238
weight [kg]	0,6	3,9	11,1	10,5	11	12	14,6	14,4	14,2	14	16	17,1	19,3	24,3	26	32,5



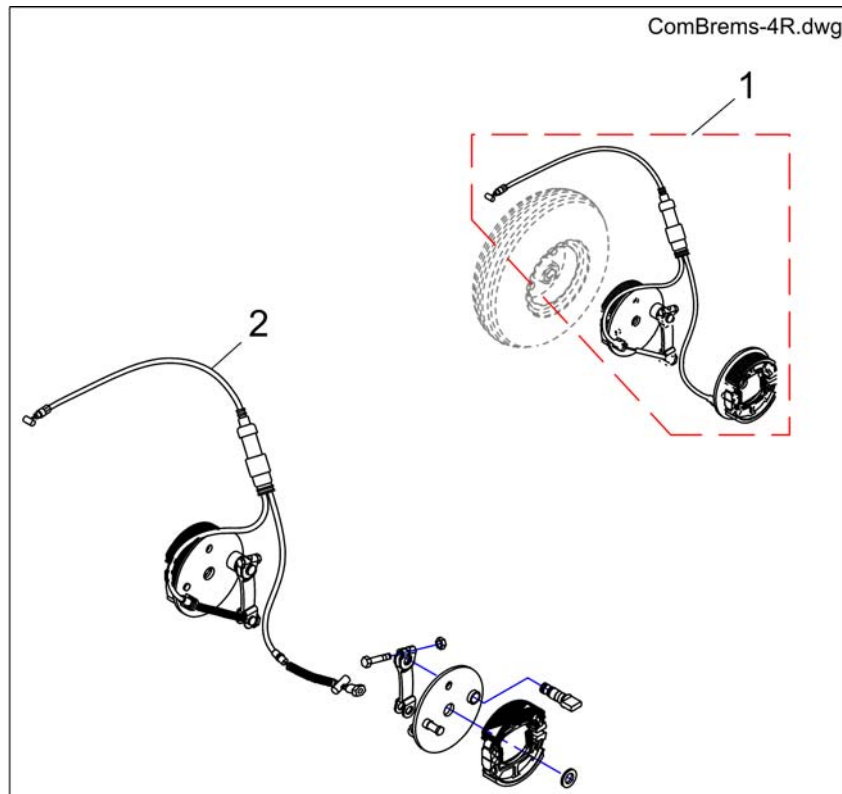
Pos.	Part number	Description	Valid from → until	Qty
i	-	Change batteries only pairwise and from the same type!		1
1	1440386	Battery, 12V/1,2Ah C20, GEL		1
2	SP1506493	Battery 12V/12Ah AGM		1
3	P50021	Battery, 12V/30Ah C20, GEL		1
4	P50029	Battery, 12V/31Ah C20, GEL		1
5	SP1521459	Battery, 12V/34Ah C20, AGM		1
6	1505498	Battery, 12V/36Ah C20, AGM		1
7	P50028	Battery, 12V/38Ah C20, GEL (UK & DK only)		1
8	PG50988	Battery, 12V/40Ah C20, GEL		1
9	SP1550692	Battery, 12V/40Ah C20, AGM		1
10	SP1522107	Battery, 12V/50Ah C20, AGM		1
11	SP1521695	Battery, 12V/50Ah C20 AGM		1
12	PG50989	Battery, 12V/50,9Ah C20, GEL		1
13	1432944	Battery, 12V/60Ah C20, GEL		1
14	P50016	Battery, 12V/73,6 Ah C20, Gel		1
15	SP1522026	Battery, 12V/75Ah C20, AGM		1
16	1478675	Battery, 12V/97,6Ah C20, GEL		1

Brakes 3 Wheeler



Pos.	Part number	Description	Valid from → until	Qty
1	SP1522025	Brake Assembly 3 Wheeler		1
2	SP1518419	Brake Cable 3 Wheeler		1

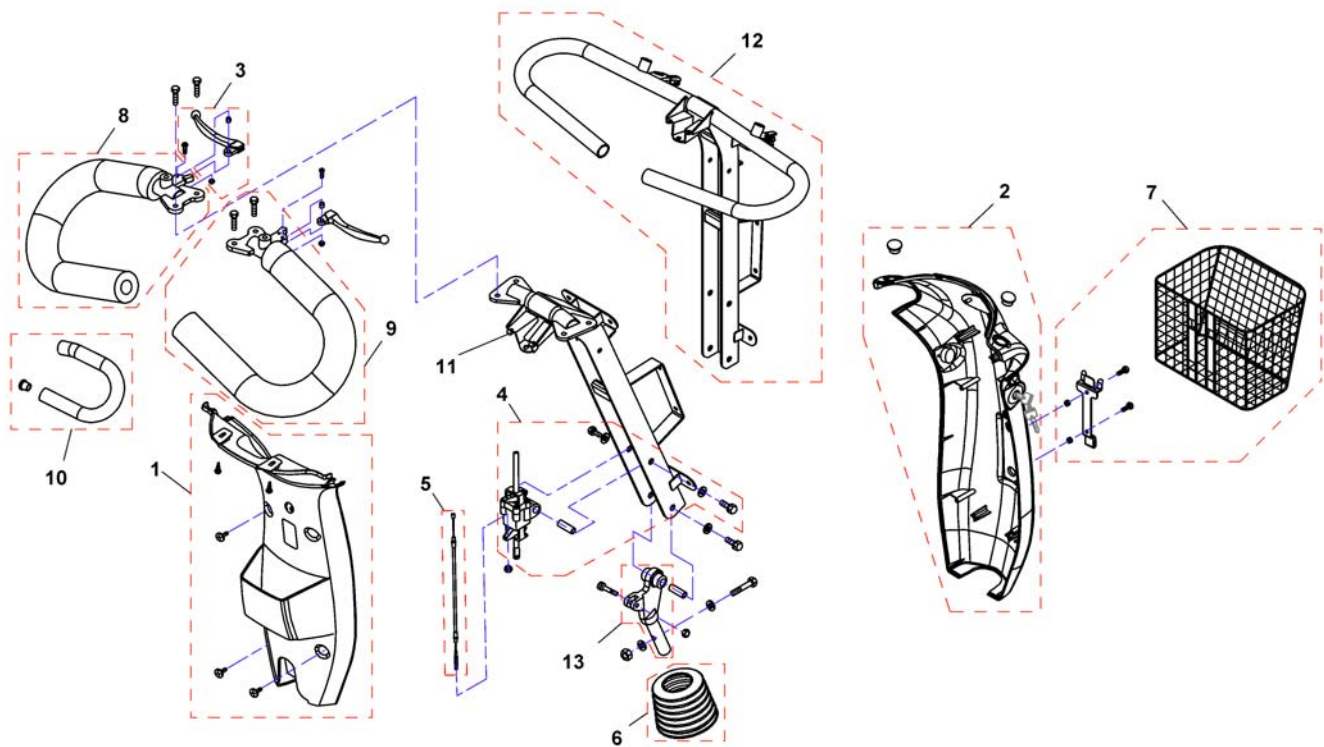
Brakes 4 Wheeler



Pos.	Part number	Description	Valid from → until	Qty
1	SP1521589	Brake Assembly 4 Wheeler		1
2	SP1518422	Brake Cable 4 Wheeler		1

Steering

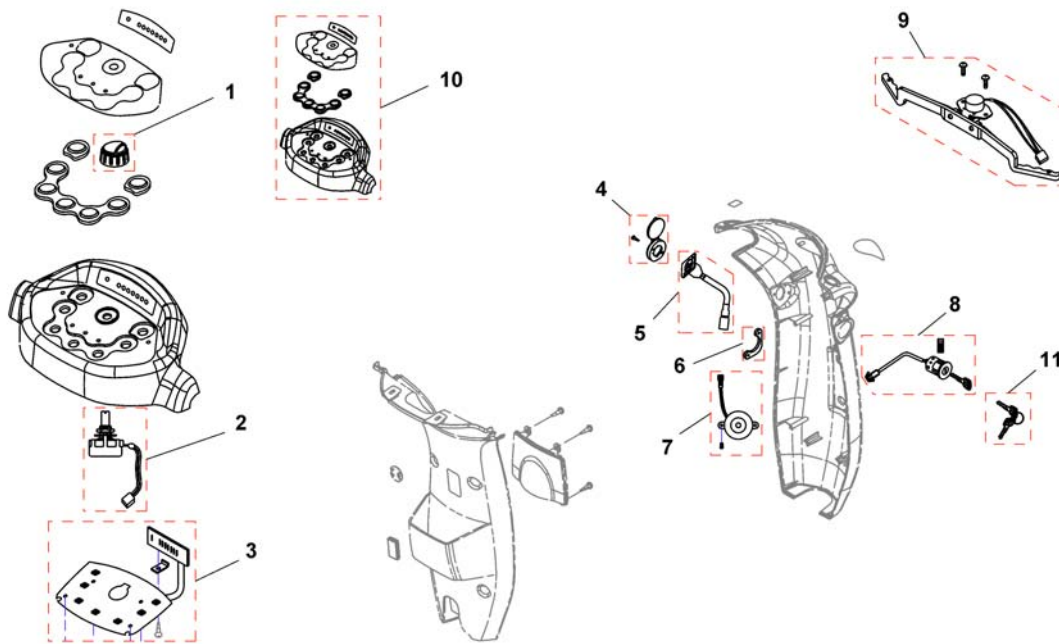
ComFig 1.dwg



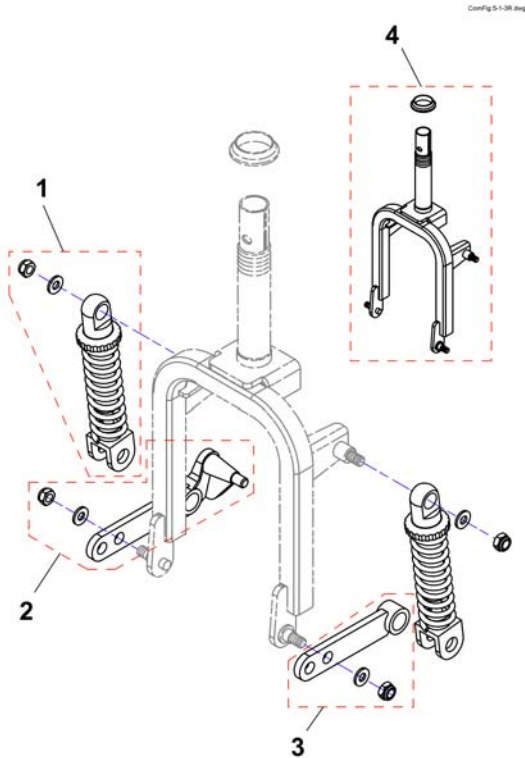
Pos.	Part number	Description	Valid from → until	Qty
1	SP1521725	Rear Cover Steering		1
2	SP1521495	Front Cover Steering, silver		1
2	SP1521727	Front Cover Steering, blue		1
2	SP1537796	Front Cover Steering, slate grey (Comet HD/Alpine)		1
2	SP1551637	Front Cover Steering, red (UK only)		1
3	SP1521578	Regulator Rod RH/LH		1
4	SP1505279	Steering Adjustment		1
5	SP1521583	Cable		1
6	SP1521586	Gaiter		1
7	SP1521584	Basket, Front		1
8	SP1527788	Curved Handlebar, left	→ 2009-02-28	1
8	SP1527828	Ergo Handle Bar LH	2009-03-01 → 2012-01-16	1
9	SP1527789	Curved Handlebar, right	→ 2009-02-28	1
9	SP1527827	Ergo Handle Bar RH	2009-03-01 → 2012-01-16	1
10	SP1527792	Foam cover for handlebar		1
11	SP1541396	Steering unit	→ 2012-01-15	1
12	SP1555848	Steering unit	2012-01-16 →	1
13	1505297	Joint B, Steering Adj Lower		1

Drive Electronics Steering Bar

ComFig.1-1.dwg



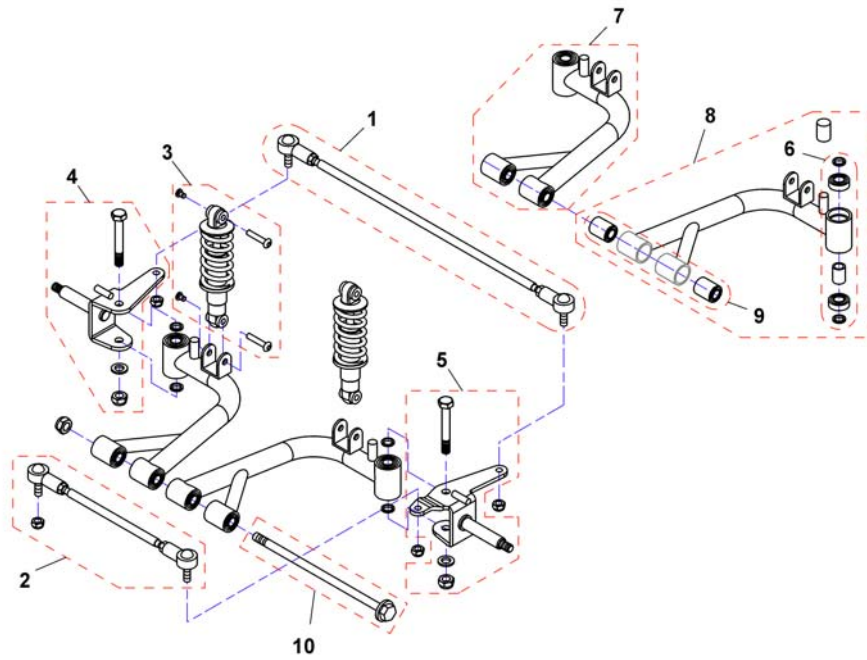
Pos.	Part number	Description	Valid from → until	Qty
1	1505460	Knob, Speed Control		1
2	1505462	Variable Resistor 30KOhm, cpl.		1
3	SP1524542	P.C. Board	→ 2008-08-18	1
3	SP1527395	P.C. Board	2008-08-19 → 2009-05-24	1
3	SP1532909	P.C. Board <i>Serialnumber (Comet 3w xxxxxxxxx =>) (Comet 4w 09ERB0068 =>)</i>	2009-05-25 →	1
4	1523534	Cover, Charger-Inlett		1
5	1523543	Charger-Inlett		1
6	SP1523544	Plate		1
7	1506153	Buzzer, cpl.		1
8	1505451	Key Cylinder (Standard)		1
8	SP1543154	Personal Key Cylinder + 2 Keys		1
9	SP1521575	Starter		1
10	SP1526435	Cover, Upper Steering	→ 2009-05-24	1
10	SP1532908	Cover, Upper Steering <i>Serialnumber (Comet 3w xxxxxxxxx =>) (Comet 4w 09ERB0068 =>)</i>	2009-05-25 →	1
11	SP1530211	Key, set of 2 (Standard)		1



Pos.	Part number	Description	Valid from → until	Qty
1	SP1521990	Shock Absorber front (150lbs)		1
2	SP1521992	Rocker, front LH		1
3	SP1521991	Rocker, front RH		1
4	SP1521989	Wheel Fork		1

Steering linkage 4-Wheeler

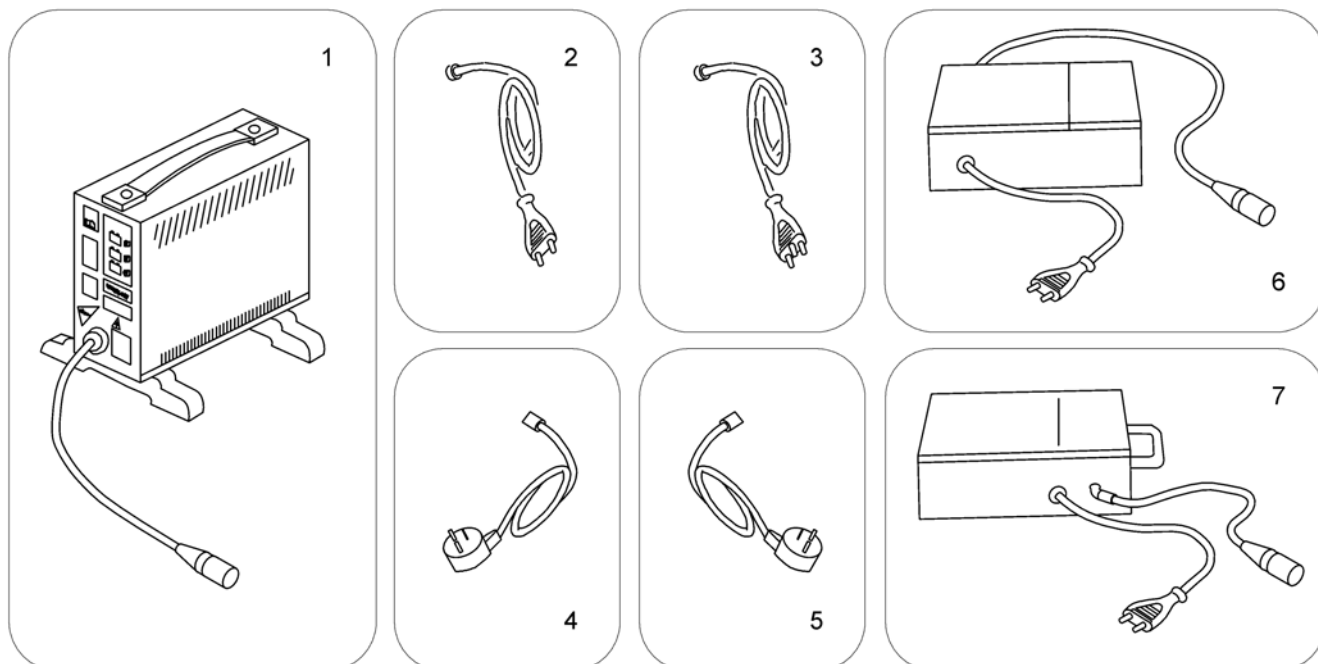
Conf: 5.1-4R.dwg



Pos.	Part number	Description	Valid from → until	Qty
1	SP1518077	Front Rod Assembly		1
2	SP1521994	Track Rod, short		1
3	SP1521995	Shock Absorber front		1
3	SP1533849	Shock Absorber front, Comet HD		1
4	SP1521996	Front Axle LH		1
5	SP1521997	Front Axle RH		1
6	SP1522000	Bearing-Kit		1
7	SP1526394	Wheel Suspension LH		1
8	SP1526393	Wheel Suspension RH		1
9	SP1526349	Slide Bearing		1
10	SP1545459	Bolt M10x215		1

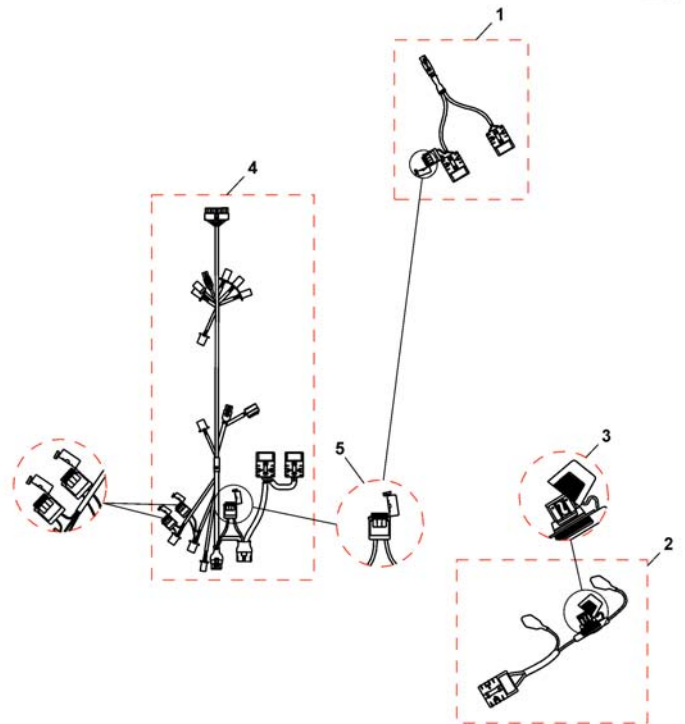
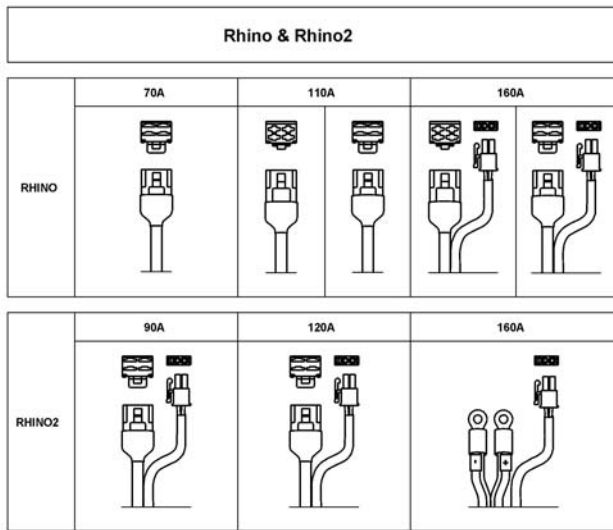
Chargers

1589799.iso



Pos.	Part number	Description	Valid from → until	Qty
1	SPP51981	Charger 8A without Power Cord <i>[1343]</i>		1
2	P21079	Power Cord Continental (Schuko GCB-0401)		1
3	P21080	Power Cord UK (GCB-0403)		1
4	1443841	Power Cord Swiss (black 6A/250V)		1
5	SP1553849	Power Cord Israel (IEC 320 C13 to SI-32)		1
6	SP1545511	Charger 10A incl. Power Cord Continental <i>[1389]</i>		1
7	5813987	Charger 8A (Protectionclass IP54) incl. Power Cord Continental (Sweden only) <i>[1388]</i>		1

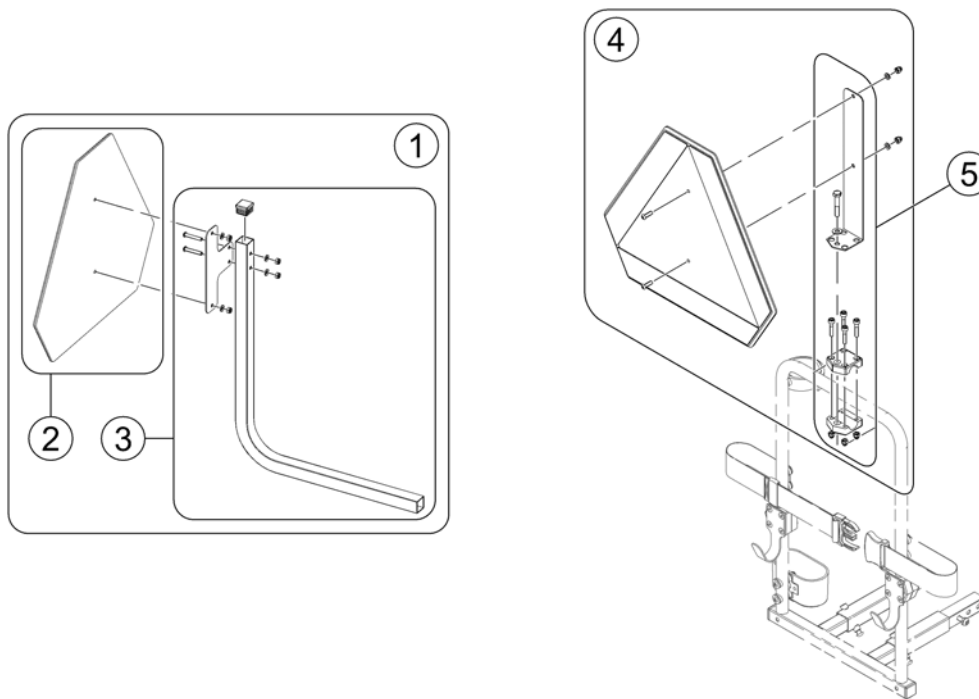
Cable



Pos.	Part number	Description	Valid from → until	Qty
1	SP1521644	Off Board Charging Cable Orion & Comet		1
2	SP1521696	Batterycable		1
2	SP1537917	Batterycable Comet HD/Alpine		1
3	1505500	Fuse (70Amp)		1
3	SP1537918	Fuse (100 Amp) Comet HD/Alpine		1
4	SP1521761	Wire Harness, Rhino	→ 2008-08-18	1
4	SP1527400	Wire Harness, Rhino	2008-08-18 → 2009-05-24	1
		<i>Serialnumber (Comet 3w 08JRA0001) (Comet 4w 08HRB0082)</i>		
4	SP1532911	Wire Harness, Rhino <i>Serialnumber (Comet 3w 10ARA0001 ==>) (Comet 4w 09ERB0068 ==>)</i>	2009-05-25 →	1
4	SP1553401	Wire Harness, 120A, Rhino2		1
4	SP1553402	Wire Harness, 160A, Rhino2		1
5	SP1521577	Fuse 10A		1

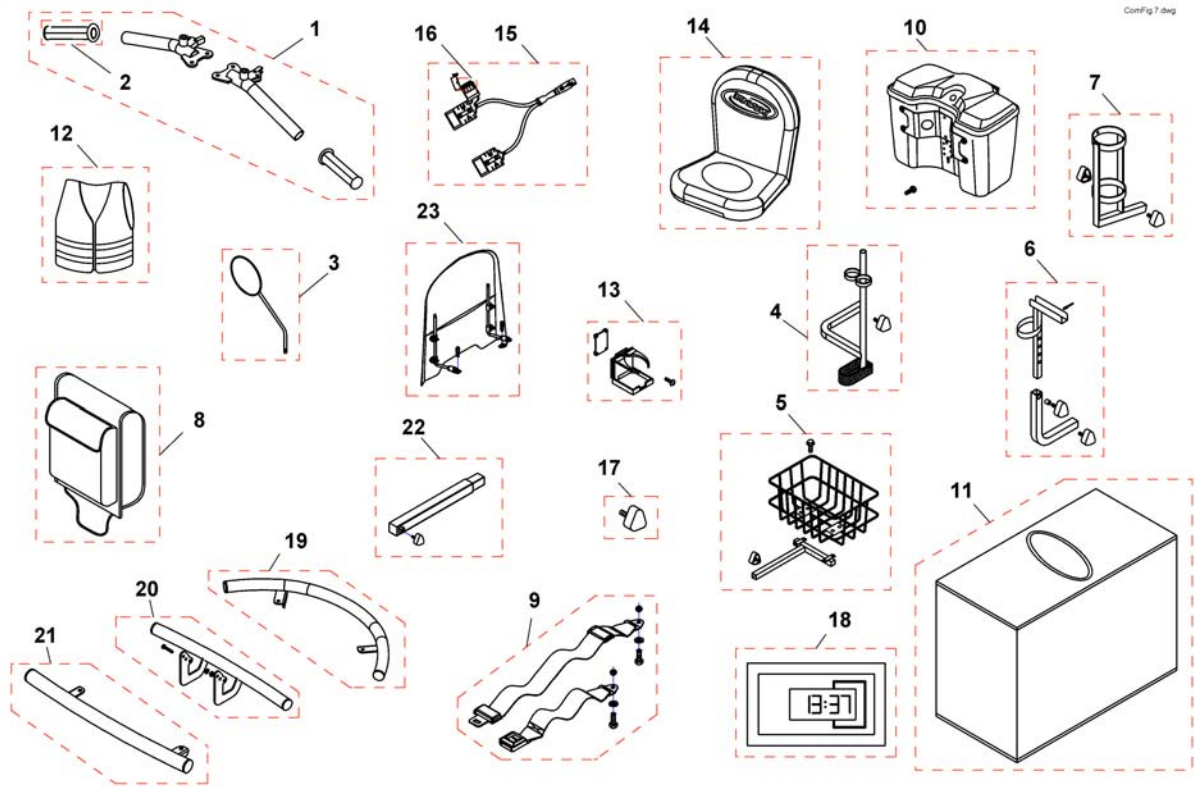
Warning Triangle

OHComFig.8.iso



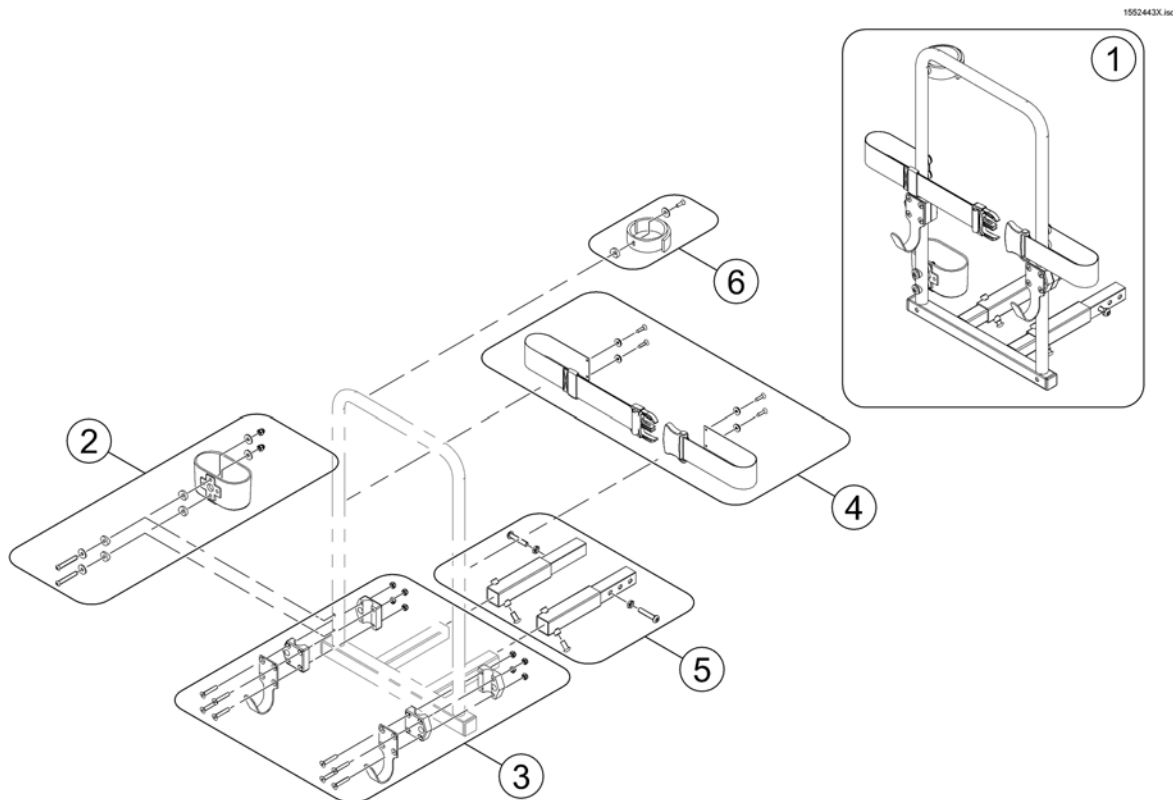
Pos.	Part number	Description	Valid from → until	Qty
1	SP1523648	Warning Triangle Scooter		1
2	1430834	Rear Marking Sign ECE-R 69		1
3	SP1526913	Holder Warning Triangel		1
4	SP1430410	Reflective Sign ECE-R 69, complete		1
5	SP1580671	Bracket, Reflective Sign, cpl.		1

Accessories



Pos.	Part number	Description	Valid from → until	Qty
	1449280	USW wizard dongle kit, EDL-USW, cpl.		1
1	SP1518330	T-Shape Steering Bars	→ 2012-01-15	1
2	1505415	Grip, Handle Bar	→ 2012-01-15	1
3	SP1518241	Rear-view Mirror LH/RH, black		1
4	SP1528274	Crutchholder, cpl. <i>If retrofitting Comet HD, also order SP1541502</i>		1
5	SP1505727	Rear Basket, cpl. <i>If retrofitting Comet HD, also order SP1541502</i>		1
6	SP1505728	Walking Frame Holder, cpl.		1
7	SP1505729	Oxygen Bottle Holder (complete with 3 screws)		1
8	SP1505731	Bag, Seat Rear		1
9	SP1518274	Lap Belt with Auto Lock Comet & Orion		1
10	SP1521595	Lockable Storage Box - silver		1
10	SP1521661	Lockable Storage Box - onyx blue		1
10	SP1537710	Lockable Storage Box Slate Grey		1
10	SP1551408	Lockable Storage Box Velvet Grey		1
10	SP1551638	Lockable Storage Box - ruby red		1
11	SP1518240	Storage Cover Comet & Orion <i>currently not available for Comet HD</i>		1
12	SP1521592	Safety vest		1
13	SP1521594	Can Holder		1
14	SP1521684	Seat Cover Rain & Dirt protection <i>currently not available for Comet HD</i>		1
15	SP1521644	Off Board Charging Cable Orion & Comet		1
16	SP1521577	Fuse 10A		1
17	SP1507005	Star Handle		1
18	SP1571491	Hourcounter		1
19	SP1528297	Front Bumper, 3-Wheeler		1
20	SP1528298	Front Bumper Comet 4w		1
21	SP1528299	Rear Bumper		1
22	SP1541502	Extension Tube Comet HD <i>Comet HD only</i>		1
23	SP1543160	Windscreen		1

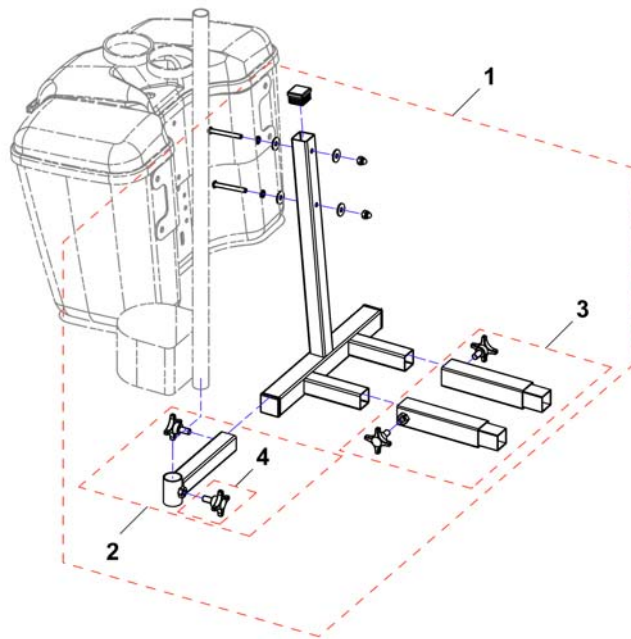
Rollator bracket



Pos.	Part number	Description	Valid from → until	Qty
1	SP1553851	Rollator Holder		1
2	SP1560465	Cane peel, cpl.		1
3	SP1553890	Rollator hooks		1
4	SP1553891	Belt, cpl.		1
5	SP1552594	Extension Tubes Rollator Holder <i>only needed for Orion & Comet</i>		1
6	SP5009551	Belt for Caneholder		1

Storage box rear bracket

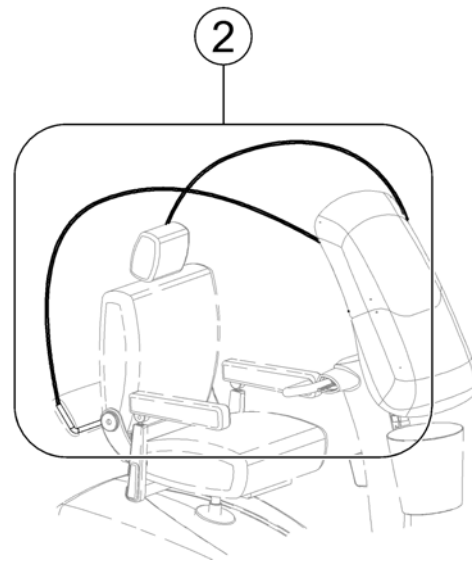
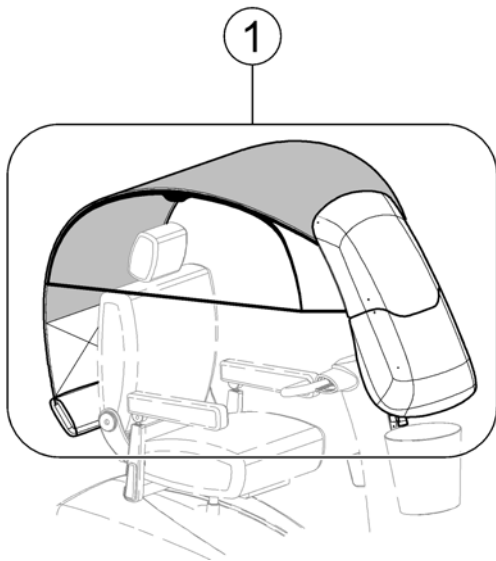
155257x.png



Pos.	Part number	Description	Valid from → until	Qty
1	SP1552537	Rear Bracket for Storage Box		1
2	SP1553854	Crutch holder bracket		1
3	SP1552594	Extension Tubes Rollator Holder <i>only needed for Orion & Comet</i>		1
4	5824117	hand wheel M8x15		1

Veltop Rain- & Suncover

1579512.iso



Pos.	Part number	Description	Valid from → until	Qty
1	SP1572494	Rain- & Suncover, cpl.		1
2	SP1572507	Fiber Rods for Rain- & Suncover		1
-	SP1587493	Rear Holder (KlickFix) <i>not shown</i>		1



Yes, you can.®



Belgium & Luxemburg:

Invacare nv, Autobaan 22, B-8210 Loppem
Tel: (32) (0)50 83 10 10, Fax: (32) (0)50 83 10 11
belgium@invacare.com / www.invacare.be

Denmark:

Invacare A/S, Sdr. Ringvej 37, DK-2605 Brøndby
Tel: (45) (0)36 90 00 00, Fax: (45) (0)36 90 00 01
denmark@invacare.com / www.invacare.dk

Deutschland:

Invacare Aquatec GmbH, Alemannenstraße 10, D-88316 Isny
Tel: (49) (0)75 62 7 00 0, Fax: (49) (0)75 62 7 00 66
info@invacare-aquatec.com / www.invacare-aquatec.de

European Distributor Organisation:

Invacare, Kleiststraße 49, D-32457 Porta Westfalica
Tel: (49) (0)57 31 754 540, Fax: (49) (0)57 31 754 541
edo@invacare.com / www.invacare.eu.com

España:

Invacare SA, c/Areny s/n, Polígon Industrial de Celrà, E-17460 Celrà (Girona)
Tel: (34) (0)972 49 32 00, Fax: (34) (0)972 49 32 20
contactsp@invacare.com / www.invacare.es

France:

Invacare Poirier SAS, Route de St Roch, F-37230 Fondettes
Tel: (33) (0)2 47 62 64 66, Fax: (33) (0)2 47 42 12 24
contactfr@invacare.com / www.invacare.fr

Ireland:

Invacare Ireland Ltd, Unit 5 Seatown Business Campus, Seatown Road, Swords, County Dublin - Ireland
Tel: (353) 1 810 7084, Fax: (353) 1 810 7085
ireland@invacare.com / www.invacare.ie

Italia:

Invacare Mecc San s.r.l., Via dei Pini 62, I-36016 Thiene (VI)
Tel: (39) 0445 38 00 59, Fax: (39) 0445 38 00 34
italia@invacare.com / www.invacare.it

Nederland:

Invacare BV, Celsiusstraat 46, NL-6716 BZ Ede
Tel: (31) (0)318 695 757, Fax: (31) (0)318 695 758
nederland@invacare.com, csede@invacare.com / www.invacare.nl

Norge:

Invacare AS, Grensesvingen 9, Postboks 6230, Etterstad, N-0603 Oslo
Tel: (47) (0)22 57 95 00, Fax: (47) (0)22 57 95 01
norway@invacare.com, island@invacare.com / www.invacare.no

Österreich:

Invacare Austria GmbH, Herzog Odilostrasse 101, A-5310 Mondsee
Tel: (43) 6232 5535 0, Fax: (43) 6232 5535 4
info-austria@invacare.com / www.invacare.at

Portugal:

Invacare Lda, Rua Estrada Velha, 949, P-4465-784 Leça do Balio
Tel: (351) (0)225 1059 46/47, Fax: (351) (0)225 1057 39
portugal@invacare.com / www.invacare.pt

Sverige & Suomi:

Invacare AB, Fagerstagatan 9, S-163 91 Spånga
Tel: (46) (0)8 761 70 90, Fax: (46) (0)8 761 81 08
sweden@invacare.com, finland@invacare.com / www.invacare.se

Switzerland:

Invacare AG, Benkenstrasse 260, CH-4108 Witterswil
Tel: (41) (0)61 487 70 80, Fax: (41) (0)61 487 70 81
switzerland@invacare.com / www.invacare.ch

United Kingdom:

Invacare Limited, Pencoed Technology Park, Pencoed, Bridgend CF35 5AQ
Switchboard Tel: (44) (0)1656 776200, Fax: (44) (0)1656 776201
Customer services Tel: (44) (0)1656 776222, Fax: (44) (0)1656 776220
uk@invacare.com / www.invacare.co.uk