

Invacare® Perfecto₂TM Series

IRC5PO2AW, IRC5PO2VAW

en	HomeFill® System Compatible Oxygen Concentrators with SensO ₂ User Manual	3
da	HomeFill® System Kompatibel iltkoncentratorer med SensO ₂ Brugsanvisning	35
fi	HomeFill® System yhteensopiva Happi keskittimet kanssa SensO ₂ Käyttöohje	67
no	HomeFill® systemet kompatibelte oksygenkonsentratorer med SensO ₂ Bruksanvisning	99
sv	HomeFill® systemet kompatibelt syrgaskoncentrerare med SensO ₂ Bruksanvisning	131

This manual MUST be given to the user of the product.
BEFORE using this product, read this manual and save for future reference.



Yes, you can.®

© 2017 Invacare Corporation

All rights reserved. Republication, duplication or modification in whole or in part is prohibited without prior written permission from Invacare. Trademarks are identified by ™ and ®. All trademarks are owned by or licensed to Invacare Corporation or its subsidiaries unless otherwise noted.

Pine-sol and Lestoil are trademarks of The Clorox Company.

Dawn is a trademark of The Proctor and Gamble Company.

Making Life's Experiences Possible is a registered trademark in the U.S.A.

Contents

This manual **MUST** be given to the user of the product.
BEFORE using this product, read this manual and save for future reference.

I General	4
1.1 Symbols	4
1.2 Intended Use	6
1.3 Description	7
1.4 Contraindications	7
2 Safety	8
2.1 Label Locations	8
2.2 General Guidelines	9
2.3 Radio Frequency Interference	12
3 Components	13
3.1 Component Identification	13
4 Accessories	15
4.1 Optional Accessories	15
5 Setup	16
5.1 Unpacking	16
5.2 Inspection	16
5.3 Storage	16
6 Usage	17
6.1 Introduction	17
6.2 Select a Location	17
6.3 Setting Up the Concentrator	18
6.3.1 Setting Up the Humidifier	18
6.3.2 Turning the Concentrator On	21
6.3.3 Flowrate	22

6.3.4 SensO ₂ Oxygen Purity Indicator	22
6.3.5 Initial Startup of the Concentrator	22
6.3.6 Explanation of Oxygen Purity Indicator Lights	23
6.3.7 Elapsed Time Meter (Hour Meter)	23

7 Maintenance	24
7.1 Cleaning the Cabinet	24
7.2 Cleaning the Cabinet Filter	25
7.3 Humidifier Cleaning and Thermic Disinfection	26
7.4 Cleaning and Disinfection Between Patients	26
7.5 Preventive Maintenance Checklist	27
8 After Use	28
8.1 Recycling Information	28
8.2 Wear and Tear	28
9 Troubleshooting	29
9.1 Troubleshooting	29
10 Technical data	31
10.1 Typical Product Parameters	31

I General

I.1 Symbols

Signal words are used in this manual and apply to hazards or unsafe practices which could result in personal injury or property damage. See the information below for definitions of the signal words.



DANGER!

– Danger indicates an imminently hazardous situation which, if not avoided, will result in death or serious injury.



WARNING!

– Warning indicates a potentially hazardous situation which, if not avoided, could result in death or serious injury.



CAUTION!

– Caution indicates a potentially hazardous situation which, if not avoided, may result in property damage or minor injury or both.



Gives useful tips, recommendations and information for efficient, trouble-free use.

Symbols in Documentation



Read manual



No Smoking



No Open Flame



Class II, Double Insulated



Alternating Current



Type BF equipment



Recycle



DO NOT dispose of in household waste



Electrical Hazard



Keep dry



EC Representative



Manufacturer



Call supplier



This product complies with Directive 93/42/EEC concerning medical devices.

The launch date of this product is stated in the CE declaration of conformity.

For more details about CE marks, refer to Typical Product Parameters.

Symbols on Product





Unit running



Unit not running

O₂ Indicators

Symbol	O ₂ Purity	Indicator Lights (LED)
O ₂	SYSTEM OKAY O ₂ over 85%	GREEN Indicator Light
	O ₂ between 73% to 85%	YELLOW Indicator Light A. YELLOW Solid B. YELLOW Flashing Sensor Failure Call a qualified technician
	SYSTEM FAILURE O ₂ Below 73%	RED Indicator Light Continuous Audible Alarm Sire — GARD™ Compressor Shutdown

1.2 Intended Use

Your oxygen concentrator is intended for individual use by patients with respiratory disorders who require supplemental oxygen. The device is not intended to sustain or support life. The concentrator is intended for use within a home or institutional environment.



DANGER! **Risk of Injury or Death**

This product is to be used as an oxygen supplement and is not intended to be life-supporting or life-sustaining. **ONLY** use this product if the patient is capable of spontaneous breath, able to inhale and exhale without the use of a machine.

- **DO NOT** use in parallel or series with other oxygen concentrators or oxygen therapy devices.



DANGER! **Risk of Injury or Death**

Depending on their medical condition, patients on flow rates greater than 5 l/m may be at an increased risk for serious injury or death in the event of failure.

- **ALWAYS** discuss this increased risk with your health care provider **BEFORE** using this product if you are prescribed a flow rate greater than 5 l/m.



DANGER! **Risk of Injury or Death**

While Invacare strives to produce the best oxygen concentrator in the market today, this oxygen concentrator can fail to produce oxygen due to power failure or device malfunction.

- **ALWAYS** have a backup source of oxygen readily available.
- In the event the concentrator fails to produce oxygen, the concentrator will briefly alarm signaling the patient to switch to their backup source of oxygen. Refer to Troubleshooting for more detail.



WARNING! **Risk of Injury or Damage**

Use of this product outside of the intended use and product parameters has not been tested and may lead to product damage, loss of product function, or personal injury.

- **DO NOT** use this product in any way other than described in the product parameters and intended use sections of this manual.

1.3 Description

The Invacare Perfecto₂ concentrator is used by patients with respiratory disorders who require supplemental oxygen. The device is not intended to sustain or support life.

The oxygen concentration level of the output gas ranges from 87% to 95.6%. The oxygen is delivered to the patient through the use of a nasal cannula.

The Invacare Perfecto₂ concentrator uses a molecular sieve and pressure swing adsorption methodology to produce the oxygen gas output. Ambient air enters the device, is filtered and then compressed. This compressed air is then directed toward one of two nitrogen adsorbing sieve beds.

Concentrated oxygen exits the opposite end of the active sieve bed and is directed into an oxygen reservoir where it is delivered to the patient.

The Invacare Perfecto₂ concentrator is capable of operation by the patient in a home environment or in an institutional environment. Device operates at a nominal 230 VAC/50 Hertz supply.



Both concentrator models (IRC5PO2AW and IRC5PO2VAW) have identical operating parameters with the exception of the product weight and power consumption. Refer to typical product parameters.

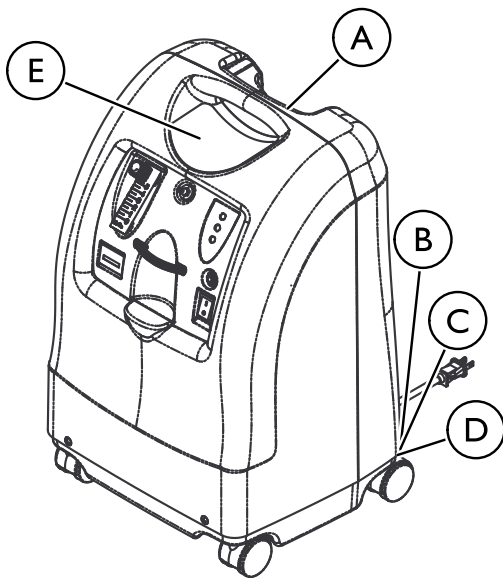
Service information will be available upon request to qualified technical personnel only.

1.4 Contraindications

Invacare is not aware of any contraindications for the Invacare Perfecto₂ Concentrator Series.

2 Safety

2.1 Label Locations



A	Serial number label is located on the resonator intake assembly.
B	Specification Label is located on the back of the concentrator at the base.
C	EU Representative label is located on the base.

D	Phthalate label is located on the base.
E	<div style="border: 1px solid black; border-radius: 15px; padding: 10px; margin-bottom: 10px;"> <p style="text-align: center;">Perfecto₂™</p> <p style="text-align: center;">SEE USER MANUAL OR CONTACT YOUR HOME EQUIPMENT PROVIDER FOR SAFE OPERATING INSTRUCTIONS, ALARMS, AUDIBLE ALERTS AND USE OF ACCESSORIES.</p> <hr/> <p>⚠ DANGER RISK OF FIRE - NO SMOKING, OPEN FLAME OR IGNITION SOURCES</p> <p style="text-align: center;">Keep ALL sources of ignition out of the room in which this product is located and away from areas where oxygen is being delivered. Textiles, oil and other combustibles are easily ignited and burn with great intensity in oxygen enriched air.</p> <p>⚠ DANGER RISK OF ELECTRIC SHOCK DO NOT remove cover. Refer servicing to qualified service personnel.</p> <p style="text-align: center;">HomeFill® Compatible</p> </div> <div style="border: 1px solid black; border-radius: 15px; padding: 10px;"> <p style="text-align: center;">Perfecto₂™ V</p> <p style="text-align: center;">SEE USER MANUAL OR CONTACT YOUR HOME EQUIPMENT PROVIDER FOR SAFE OPERATING INSTRUCTIONS, ALARMS, AUDIBLE ALERTS AND USE OF ACCESSORIES.</p> <hr/> <p>⚠ DANGER RISK OF FIRE - NO SMOKING, OPEN FLAME OR IGNITION SOURCES</p> <p style="text-align: center;">Keep ALL sources of ignition out of the room in which this product is located and away from areas where oxygen is being delivered. Textiles, oil and other combustibles are easily ignited and burn with great intensity in oxygen enriched air.</p> <p>⚠ DANGER RISK OF ELECTRIC SHOCK DO NOT remove cover. Refer servicing to qualified service personnel.</p> <p style="text-align: center;">HomeFill® Compatible</p> </div>

2.2 General Guidelines

In order to ensure the safe installation, assembly and operation of the concentrator these instructions **MUST** be followed.



DANGER!

Risk Of Death, Injury, Or Damage

Improper use of the product may cause death, injury or damage. This section contains important information for the safe operation and use of this product.

- DO NOT use this product or any available optional equipment without first completely reading and understanding these instructions and any additional instructional material such as user manuals, service manuals or instruction sheets supplied with this product or optional equipment.
- If you are unable to understand the warnings, cautions or instructions, contact a healthcare professional, dealer or technical personnel before attempting to use this equipment.
- Check ALL external components and carton for damage. In case of damage, or if the product is not working correctly, contact a technician or Invacare for repair.
- THE INFORMATION IN THIS DOCUMENT IS SUBJECT TO CHANGE WITHOUT NOTICE.



DANGER!

Risk Of Death, Injury, Or Damage From Fire

Textiles, oil or petroleum substances, grease, greasy substances and other combustibles are easily ignited and burn with great intensity in oxygen enriched air and when in contact with oxygen under pressure. To avoid fire, death, injury or damage:

- DO NOT SMOKE while using this device.
- DO NOT near OPEN FLAME or IGNITION SOURCES.
- DO NOT use any lubricants on concentrator unless recommended by Invacare.
- NO SMOKING signs should be prominently displayed.
- Avoid creation of any spark near oxygen equipment. This includes sparks from static electricity created by any type of friction.
- Keep all matches, lighted cigarettes or other sources of ignition out of the room in which this concentrator is located and away from where oxygen is being delivered.
- Keep the oxygen tubing, cord, and concentrator out from under such items as blankets, bed coverings, chair cushions, clothing, and away from heated or hot surfaces including space heaters, stoves, and similar electrical appliances.



CAUTION!

Federal (statutory) law restricts this device sale to or on the order of a medical practitioner licensed by a governmental agency where he/she practices.

- ONLY a licensed medical practitioner may order the purchase or use of this device.



DANGER!

Risk of Death, Injury, from Electric Shock

To reduce the risk of burns, electrocution, death or injury to persons:

- DO NOT disassemble. Refer servicing to qualified service personnel. There are no user serviceable parts.
- Avoid using while bathing. If continuous usage is required by the physician's prescription, the concentrator must be located in another room at least 7ft (2.5m) from the bath.
- DO NOT come in contact with the concentrator while wet.
- DO NOT place or store concentrator where it can drop into water or other liquid.
- DO NOT reach for concentrator that has fallen into water. Unplug IMMEDIATELY.
- DO NOT use frayed or damaged AC adapter cords.



WARNING!

Risk Of Injury Or Damage

- Invacare products are specifically designed and manufactured for use in conjunction with Invacare accessories. Accessories designed by other manufacturers have not been tested by Invacare and are not recommended for use with Invacare products.
- There are many different types of humidifiers, oxygen tubing, cannulas and masks that can be used with this device. You should contact your local home care provider for recommendations on which of these devices will be best for you. They should also give you advice on the proper usage, maintenance, and cleaning.



DANGER!

Risk of Injury or Death

To avoid choking or ingestion of chemicals from airway contamination:

- DO NOT use the concentrator in the presence of pollutants, smoke, fumes, flammable anesthetics, cleaning agents, or chemical vapors.



WARNING!

Risk of Injury or Death

To prevent injury or death from product misuse:

- Closely supervise when this concentrator is used by or near children or physically-challenged individuals.
- Monitor patients using this device who are unable to hear or see alarms or communicate discomfort.



WARNING!

Risk of Injury or Death

To avoid choking and/or strangulation from tubing entanglement:

- Keep children and pets away from nasal cannula and tubing.
- Close supervision is necessary when the nasal cannula is used by or near children and/or disabled persons.



WARNING!

Risk of Injury or Death

To reduce the risk of injury or death from illness:

- Replace the nasal cannula on a regular basis. Check with your equipment provider or physician to determine how often the cannula should be replaced.
- DO NOT share cannulas between patients.

**WARNING!****Risk of Injury**

A change in altitude may affect total oxygen available to you. To prevent oxygen deprivation:

- Consult your physician before traveling to higher or lower altitudes to determine if your flow settings should be changed.

**WARNING!****Risk of Injury or Damage**

To prevent injury or damage from cord misuse:

- DO NOT move or relocate concentrator by pulling on the cord.
- DO NOT use extension cords with AC power adapters provided.
- Properly store and position electrical cords and/or tubing to prevent a tripping hazard.

**WARNING!****Risk of Injury or Damage**

To prevent injury or damage from misuse:

- NEVER leave concentrator unattended when plugged in.
- Make sure concentrator is off when not in use.

**WARNING!****Risk of Injury or Damage**

Invacare oxygen concentrators are specifically designed to minimize routine preventive maintenance. To prevent injury or damage:

- Only professionals of the healthcare field or persons fully conversant with this process such as factory trained personnel should perform preventive maintenance or performance adjustments on the oxygen concentrator, except for tasks described in this manual.
- Users should contact your dealer or Invacare for service.

**CAUTION!****Risk of Damage**

To prevent damage from liquid ingress:

- If the concentrator is not working properly, if it has been dropped or damaged, or dropped into water, call equipment provider/qualified technician for examination and repair.
- NEVER drop or insert any object or liquid into any opening.
- Invacare recommends the concentrator not be used in the rain.

2.3 Radio Frequency Interference



WARNING!

Risk of Injury or Damage

To reduce the risk of injury or product damage from interference with wireless equipment:

- Keep concentrator at least 9.8 ft (3.0 m) away from wireless communication equipment such as wireless home network devices, mobile phones, cordless phones and base stations, walkie-talkies, etc.

This equipment has been tested and found to comply with EMC limits specified by IEC/EN 60601-1-2. These limits are designed to provide a reasonable protection against electromagnetic interference in a typical medical installation.

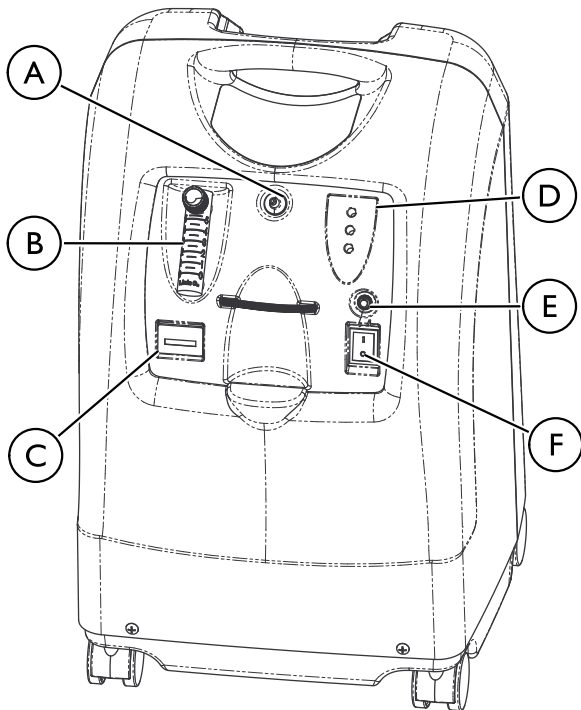
Other devices may experience interference from even the low levels of electromagnetic emissions permitted by the above standards.

To determine if the emissions from the concentrator are causing the interference, turn the concentrator Off. If the interference with the other device(s) stops, then the concentrator is causing the interference. In such rare cases, interference may be reduced or corrected by one of the following measures:

- Reposition, relocate, or increase the separation between the equipment.
- Connect the equipment into an outlet on a circuit different from that to which the other device(s) is connected.

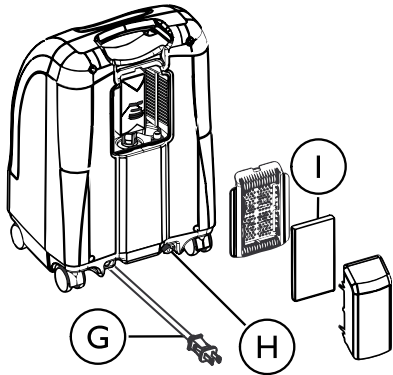
3 Components

3.1 Component Identification



(A)	Oxygen Outlet
(B)	Flowmeter
(C)	Elapsed Time Meter
(D)	Oxygen Purity Indicator Lights/Fault and Power Indicator Lights
(E)	Circuit Breaker
(F)	Power Switch

Rear View



Ⓒ	Power Cord
Ⓗ	HomeFill Outlet Fitting
Ⓘ	Cabinet Filter

i The HomeFill outlet fitting **Ⓗ** is to be used only for filling oxygen cylinders with the HomeFill home oxygen compressor. The outlet fitting does not affect concentrator performance. Refer to the HomeFill user manual for connection and operating instructions.

When not in use, the plug provided with the concentrator should be inserted into the outlet fitting. For more information about the HomeFill, contact your Invacare dealer.

4 Accessories

4.1 Optional Accessories

There are many different types of humidifiers, oxygen tubing, cannulas and masks that can be used with this device. You should contact your local home care provider for recommendations on which of these devices will be best for you. They should also give you advice on the proper usage, maintenance, and cleaning.

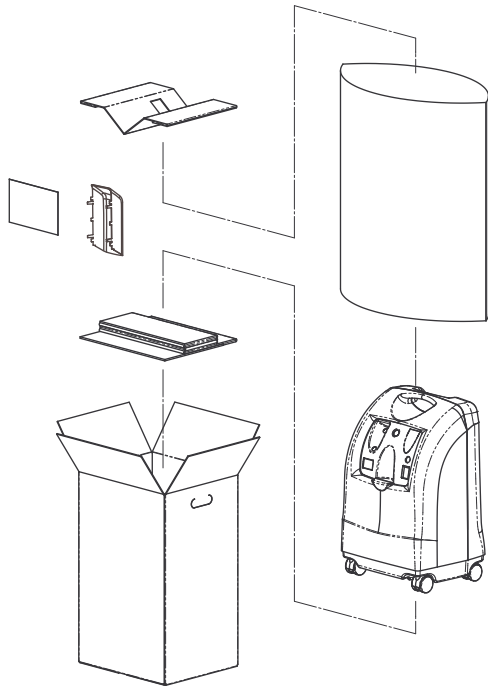
The supply accessories (nasal cannula, mask, tubing, humidifier, etc.) used to deliver oxygen to the patient need to include a means to reduce the propagation of fire in the accessories for the safety of the patient and others. If a commercially available, fire-activated flow stop device is used in the accessories setup, it should be placed as close to the patient as practicable.

The following optional accessories and replacement parts (listed below) are also available:

- Standard Adult Nasal Cannula, 2.1 m (7 feet) - M3120
- Standard Humidifier - Invacare Part #1155719
- PreciseRX™ Pediatric Humidifier/Flowmeter Accessory - IRCPF16AW
- HomeFill home oxygen compressor - IOH200AW
- Humidifier Bottle Holder - M1521
- Oxygen Supply Tubing 2.1 m (7 feet) - MS4107
- Oxygen Supply Tubing 6.3 m (21 feet) - MS4121
- Oxygen Tubing Connector - MS4301

5 Setup

5.1 Unpacking



1. Check for any obvious damage to the carton or its contents. If damage is evident, notify the carrier, or your local dealer.
2. Remove all loose packing from the carton.
3. Carefully remove all the components from the carton.



Unless the oxygen concentrator is to be used **IMMEDIATELY**, leave concentrator in its packaging for storage until use is required.

5.2 Inspection

1. Inspect/examine exterior of the concentrator for nicks, dents, cracks, scratches or other damage.
2. Inspect all components.

5.3 Storage

1. Store the repackaged oxygen concentrator in a dry area. Refer to Typical Product Parameters for storage temperature parameters.
2. **DO NOT** place objects on top of repackaged concentrator.

6 Usage

6.1 Introduction

Your oxygen concentrator is intended for individual use indoors. It is an electronically operated device that separates oxygen from room air. It provides high concentration of oxygen directly to you through a nasal cannula. Clinical studies have documented that oxygen concentrators are therapeutically equivalent to other types of oxygen delivery systems.

Your provider will show you how to use your oxygen concentrator. He/She should be contacted with any questions or problems regarding your oxygen concentrator. This user manual will tell you about your concentrator and will serve as a reference as you use your concentrator.

6.2 Select a Location



WARNING!

Risk of Injury or Damage

To avoid injury or damage from airborne pollutants and/or fumes and for optimal performance:

- Locate and position the concentrator in a well ventilated space so that the air intake and the air exhausts are not obstructed.
- NEVER block the air openings of the concentrator or place it on a soft surface, such as a bed or couch, where the air opening may be blocked.
- Keep the openings free from lint, hair and similar foreign items.
- Keep concentrator at least 12 inches (30,5 cm) away from walls, draperies and furniture.
- Avoid use in presence of pollutants, smoke or fumes, flammable anesthetics, cleaning agents or chemical vapors.
- Place concentrator in a well ventilated area to avoid airborne pollutants and/or fumes.
- DO NOT use in a closet.



WARNING!

Risk of Injury

To avoid injury during therapy:

- The oxygen concentrator **MUST** be placed on a level surface for use.
- DO NOT relocate the oxygen concentrator while in use.

You may select a room in your house where using your oxygen concentrator would be most convenient. Your concentrator can be easily rolled from room to room on its casters.

Your oxygen concentrator will perform best when operated under the conditions outlined in typical product parameters.

Usage in environments other than those described may result in the need for increased equipment maintenance. The air intake of the unit should be located in a well ventilated area to avoid airborne pollutants and/or fumes.

6.3 Setting Up the Concentrator

1. Plug in power cord to an electrical outlet.
2. Connect Humidifier (if so prescribed).

6.3.1 Setting Up the Humidifier



WARNING!

Risk of Injury or Damage

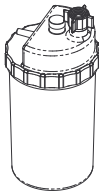
To avoid burns from steam or hot water, inhalation of water and/or water damage to the concentrator:

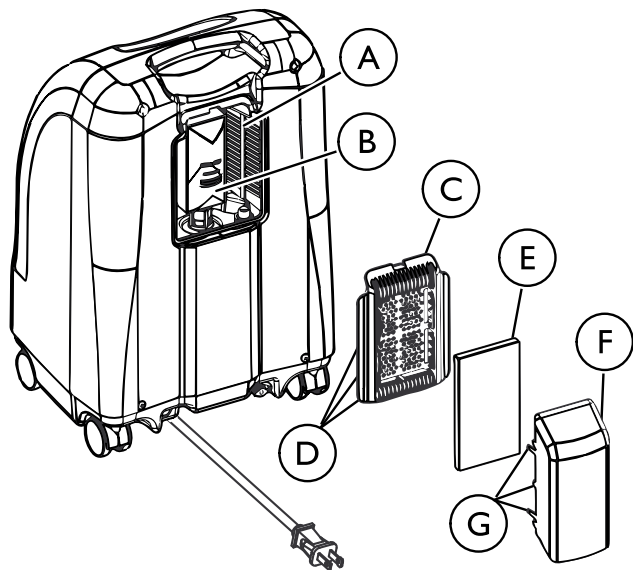
- DO NOT fill humidifier bottle with hot water. Allow boiled water to cool to room temperature before filling.
- DO NOT overfill humidifier.
- Replace the humidifier cap and securely tighten. Confirm that the cap is not cross-threaded on the humidifier bottle.
- DO NOT reverse the oxygen input and output connections. Water from the humidifier bottle will travel through the cannula back to the patient if input and output connections are reversed.
- When using tubing connections longer than 2.1 m (7 feet) in length, position the humidifier as close to the patient as possible to allow for maximum humidification output.

**WARNING!****Risk of Injury or Damage**

Failure to properly install the humidifier bottle or other accessories to the concentrator will impact the flow of oxygen.

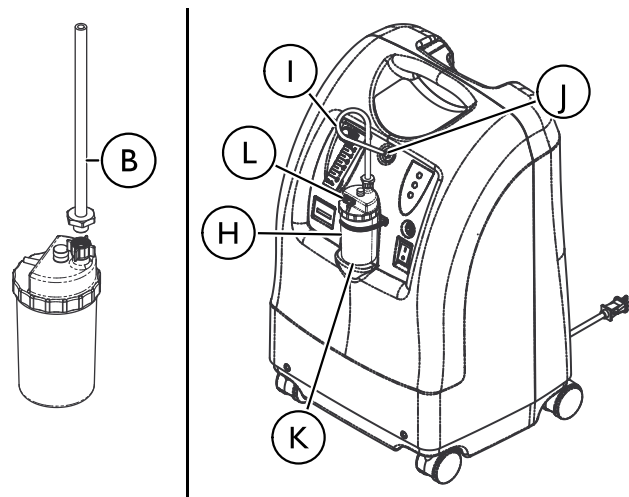
- To check for proper operation of the oxygen concentrator and accessories, place the end of the nasal cannula under the surface of a half-full cup of water and look for the bubbles.
- If there are no bubbles, check all connections (including humidifier bottle and other accessories, if applicable) and repeat. Contact your dealer or service provider immediately if bubbles still do not appear.

Humidifier Bottle with Cap**Humidifier Bottle without Cap**




1. Remove cap from bottle.
2. Fill humidifier with boiled tap water or bottled water to the level indicated by the manufacturer. Boil tap water for approximately 10 minutes and cool to room temperature prior to use.
3. Insert a flathead screwdriver in the plate groove on the top edge of the filter access door © and gently pry the filter access door off.
4. Pull up and remove the humidifier bottle adapter ②.

5. Replace the filter access door and install the air scoop ⑥ onto the filter access door by inserting the six tabs ③ on the air scoop into the six slots ④ on the sides of the filter access door.



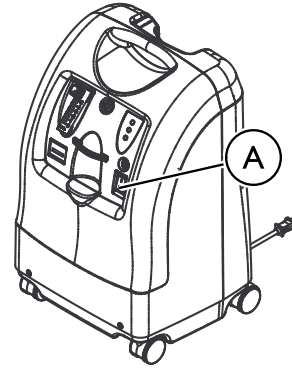
6. Attach the humidifier bottle adapter to the humidifier bottle ④ by turning the wing nut on the humidifier bottle counterclockwise until it is securely fastened.

7. Select the location for the humidifier bottle/adapter assembly:
 - When placing the humidifier bottle in the compartment on the concentrator, attach the humidifier bottle/adapter tube ① to the oxygen outlet connector ① on the concentrator.
 - To position the humidifier bottle in a patient side location, place the humidifier bottle/adapter assembly in the humidifier bottle holder ⑧ (M1521, refer to 4.1 Optional Accessories, page 15) and place on a flat surface as close to the patient as possible. Attach an oxygen tubing connector (MS4301, Refer to 4.1 Optional Accessories, page 15) to the end of the humidifier bottle/adapter tube. Connect one end of the oxygen supply tubing (MS4107 or MS4121, Refer to 4.1 Optional Accessories, page 15) to the free end of the oxygen tubing connector and the opposite end to the oxygen outlet connector on the concentrator.


 When using tubing connections longer than 2.1 m (7 feet) in length, position the humidifier as close to the patient as possible to allow for maximum humidification output.

8. Attach the patients' nasal cannula supply tube to the humidifier bottle outlet ⑨.
9. After assembly, ensure that oxygen is flowing through the nasal cannula.

6.3.2 Turning the Concentrator On



1. Press power switch ⑩ to On position.

 All the panel lights and the audible alarm will come on for one second, indicating that the unit is functioning properly.

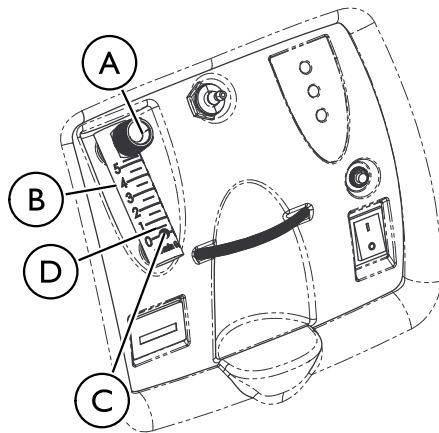
6.3.3 Flowrate



WARNING!
Risk of Injury

To avoid injury from excess oxygen or a deficit of oxygen:

- DO NOT change the L/min setting on the flowmeter unless a change has been prescribed by your physician or therapist.



Do not set the flow above the RED ring. An oxygen flow greater than 5 L/min will decrease the oxygen concentration.

1. Turn the flowrate knob (A) to the setting prescribed by your physician or therapist.



To properly read the flowmeter (B), locate the prescribed flowrate line on the flowmeter. Next, turn the flow knob until the ball (C) rises to the line. Now, center the ball on the L/min line prescribed.

2. If the flowrate on the flowmeter ever falls below 0.5 L/min (D) for more than about one minute, the Potential Obstruction Alert will be triggered. This is a rapid beeping of the audible alarm. Check your tubing or accessories for blocked or kinked tubing or a defective humidifier bottle. After rated flow is restored to between 0.5 L/min and 0.75 L/min, the Potential Obstruction Alert will turn off.



The use of some accessories such as the PreciseRx™ pediatric flowmeter and the HomeFill compressor will deactivate the Potential Obstruction Alert.

6.3.4 SensO₂ Oxygen Purity Indicator

This feature monitors the purity of oxygen generated by the oxygen concentrator. If purity falls below factory preset standards, indicator lights on the control panel will illuminate.

6.3.5 Initial Startup of the Concentrator

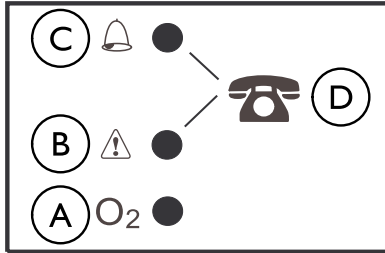


Concentrator may be used during the initial warm-up time (approximately 30 min.) while waiting for the O₂ purity to reach maximum.

When the unit is turned on, the GREEN light will come on (SYSTEM OK/O₂ greater than 85%). After five minutes, the oxygen sensor will

be operating normally and will control the indicator lights depending on oxygen concentration values.

6.3.6 Explanation of Oxygen Purity Indicator Lights



	Light	Symbol	Explanation
(A)	GREEN light	(O ₂)	Normal Operation
(B)	YELLOW light		Immediately call supplier. You may continue to use the concentrator unless instructed otherwise by your supplier. Be certain that backup oxygen is nearby.
(C)	RED light		Total unit shutdown. Immediately switch to backup oxygen supply and call supplier.
(A)(B)	GREEN light with YELLOW light flashing	(O ₂) and	Immediately call supplier. Oxygen sensor is malfunctioning; you may continue to use the concentrator.
(D)	—		Call Supplier

6.3.7 Elapsed Time Meter (Hour Meter)

The hour meter displays the cumulative number of hours the unit has operated. Refer to Component Identification for specific location.

7 Maintenance

7.1 Cleaning the Cabinet



DANGER!

Risk of Injury or Damage

Invacare oxygen concentrators are specifically designed to minimize routine preventive maintenance. To prevent injury or damage:

- Only qualified personnel should perform preventive maintenance on the oxygen concentrator.
- DO NOT remove cabinet.



DANGER!

Risk of Injury or Damage

Liquid will damage the internal components of the concentrator. To avoid damage or injury from electrical shock:

- Turn Off the concentrator and unplug the power cord before cleaning.
- DO NOT allow any cleaning agent to drip inside the air inlet and outlet openings.
- DO NOT spray or apply any cleaning agent directly to the cabinet.
- DO NOT hose down the product.



CAUTION!

Risk of Damage

Harsh chemical agents can damage the concentrator.

To avoid damage:

- DO NOT clean the cabinet or filter with alcohol and alcohol based products (isopropyl alcohol), concentrated chlorine-based products (ethylene chloride), and oil-based products (Pine-Sol®, Lestoil®) or any other harsh chemical agents. Only use mild liquid dish detergent (such as Dawn™).



At a minimum, preventive maintenance **MUST** be performed according to the maintenance record guidelines. In places with high dust or soot levels, maintenance may need to be performed more often. Refer to the Maintenance Checklist.

Periodically clean the concentrator's cabinet as follows:

1. Use a damp cloth, or sponge, with a mild detergent such as Dawn™ dish washing soap to gently clean the exterior case.
2. Allow the concentrator to air dry, or use a dry towel, before operating the concentrator.

7.2 Cleaning the Cabinet Filter



CAUTION!

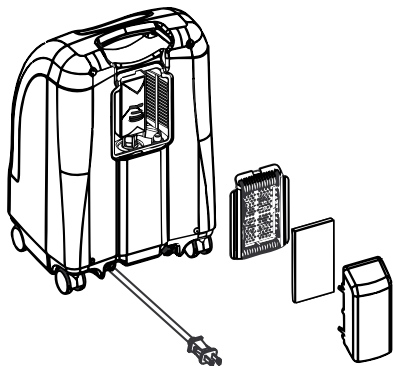
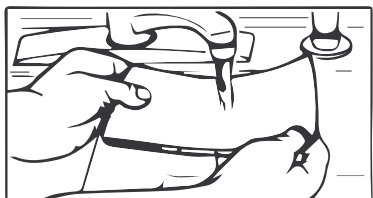
Risk of damage

To avoid damage from clogging:

- DO NOT operate the concentrator without the filter installed.



There is one cabinet filter located on the back of the cabinet.




1. Remove the filter and clean as needed.




Environmental conditions that may require more frequent inspection and cleaning of the filter include, but are not limited to: high dust, air pollutants, etc.

2. Clean the cabinet filter with a vacuum cleaner or wash with a mild liquid dish detergent (such as Dawn™) and water. Rinse thoroughly.
3. Thoroughly dry the filter and inspect for fraying, crumbling, tears and holes. Replace filter if any damage is found.
4. Reinstall the cabinet filter.

7.3 Humidifier Cleaning and Thermic Disinfection

 Clean and disinfect the oxygen humidifier daily to reduce limestone deposits and eliminate possible bacterial contamination. Follow the instructions provided by the manufacturer. If none are provided, follow these steps:

1. Wash humidifier in soapy water and rinse with a solution of ten parts water and one part vinegar.
2. Rinse thoroughly with hot water.
3. Air dry thoroughly.

 To limit bacterial growth, air dry the humidifier thoroughly after cleaning when not in use. Refer to Set Up for use.

7.4 Cleaning and Disinfection Between Patients




WARNING!

Risk of Injury or Damage

To prevent injury from infection or damage to concentrator:

- Only qualified personnel should perform cleaning and disinfection of the oxygen concentrator and accessories between patients.

 Follow these instructions to eliminate possible pathogen exchange between patients due to contamination of components or accessories. Preventive Maintenance should also be performed at this time if necessary.


1. Dispose of and replace all patient side accessories not suitable for multiple patient use, including but not limited to:
 - Nasal Cannula and Tubing
 - Mask
 - Humidifier
2. Perform maintenance procedures described in this manual and items on Preventive Maintenance Checklist
3. Check concentrator for possible external damage or signs that it may require service or repair.
4. Ensure concentrator functions properly and all alarms are in working order.
5. Before repackaging and distribution to new patient, ensure packaging contents contain the concentrator, power cord, air inlet scoop, assembly instructions, humidifier, cannula, labels and user manual.

7.5 Preventive Maintenance Checklist

Model No:

Serial No:

ON EACH INSPECTION							
Record Date of Service							
Record Elapsed Hours on Hour Meter							
Clean Cabinet Filter(s)							
Check Prescribed L/min. Flow Rate							
DURING PREVENTIVE MAINTENANCE SCHEDULE, OR BETWEEN PATIENTS							
UNITS WITH SensO₂ — EVERY 26,280 HOURS							
Check Oxygen Concentration*							
Clean/Replace Cabinet Filter							
Check/Replace Outlet HEPA Filter*							
Check/Replace Compressor Inlet Filter*							
Check Power Loss Alarm							

 26,820 hours are equivalent to usage 24 hours per day, 7 days per week for 3 years.

*To be conducted by provider or qualified service technician. Refer to service manual.

8 After Use

8.1 Recycling Information

This product has been supplied from an environmentally aware manufacturer who complies with the Waste Electrical and Electronic Equipment (WEEE) Directive 2012/19/EU. This product may contain substances that could be harmful to the environment if disposed of in places (landfills) that are not appropriate according to legislation.

Follow local governing ordinances and recycling plans regarding disposal of the concentrator or components normally used in operation. The concentrator does not generate waste or residue in operation.

- DO NOT dispose of the concentrator in the normal waste stream.
- Any accessories not part of the concentrator MUST be handled in accordance with the individual product marking for disposal.
- DO NOT dispose of the internal or supplemental battery packs. Battery packs should be returned to your dealer/provider.

Invacare® is continuously working towards ensuring that the company's impact on the environment, locally and globally, is reduced to a minimum. We comply with the current environmental legislation (e.g. WEEE and RoHS directives). We only use REACH compliant materials and components.

8.2 Wear and Tear

Invacare reserves the right to ask for any item back that has an alleged defect in workmanship. See Warranty that shipped with the product for specific warranty information.

Refer to the User Manual for proper preventative maintenance schedule and use of the product.

This is just a general guideline and does not include items damaged due to abuse and misuse.

Normal wear and tear items and components for this product are listed below.

- All types of filters
- All types of tubing
- All types of batteries, including lead acid/lithium, coin cell (watch type) and gel (6 months)




Sieve is a porous filtering material and is considered a wear item. Some factors that could affect sieve material life include humidity, temperature, particulates, air contaminants, air intake, vibration and other environmental conditions.

9 Troubleshooting


9.1 Troubleshooting

SYMPTOM	PROBABLE CAUSE	SOLUTION
<p>Alarm:</p> <p>Short Beeps, long pause</p> <p>Concentrator not operating, power switch On.</p> <p>Beep...Beep...</p>	<p>Main Power Loss:</p> <ol style="list-style-type: none"> 1. Power cord not plugged in. 2. No power at outlet. 3. Tripped circuit breaker. 	<ol style="list-style-type: none"> 1. Insert plug into outlet. 2. Inspect house circuit breakers or fuses. If problem recurs, use a different outlet. 3. Push/reset circuit breaker. If problem recurs, call service provider.
<p>Alarm:</p> <p>Continuous</p> <p>Concentrator not operating, power switch On.</p> <p>Beep...</p>	<p>System Failure:</p> <ol style="list-style-type: none"> 1. Unit overheating due to blocked air intake. 2. Insufficient power at outlet. 3. Internal repairs required. 	<ol style="list-style-type: none"> 1. <ol style="list-style-type: none"> a. Remove and clean cabinet filters. b. Move oxygen concentrator at least 12 in (30, 5 cm) away from walls, draperies or furniture. 2. DO NOT use extension cords. Move to another electrical outlet or circuit. 3. Call service provider.

SYMPTOM	PROBABLE CAUSE	SOLUTION
<p>Alarm: YELLOW or RED light Illuminated. Alarm: Continuous On RED light * Only applies to IRC5PO2AW & IRC5PO2VAW</p>	<p>System Failure:</p> <ol style="list-style-type: none"> 1. Low oxygen purity.* 2. Kinked or blocked tubing, cannula or humidifier.* 3. Flowmeter set at 0.5 L/min*. 4. Unit overheating due to blocked air intake. 5. Insufficient power at outlet. 6. Internal repairs required. 	<ol style="list-style-type: none"> 1. Clean or Replace filters. 2. Inspect for kinks or blockages. Correct, clean or replace item. Once corrected, turn power Off for 60 seconds and then turn power back On. 3. Check flowmeter is set to 1.0 L/min or more. Refer to Typical Product Parameters. 4. <ol style="list-style-type: none"> a. Remove and clean cabinet filters. b. Move concentrator at least 12 in (30,5 cm) from walls, draperies, and furniture. 5. DO NOT use extension cords. Move to another electrical outlet or circuit. 6. Call Service Provider.
<p>GREEN light with YELLOW Light Flashing.</p>	<ol style="list-style-type: none"> 1. Internal repairs required. 	<ol style="list-style-type: none"> 1. Call Service Provider.
<p>Alarm: Rapid Beep...Beep... Beep...Beep</p>	<p>Potential Obstruction Alert</p> <ol style="list-style-type: none"> 1. Possible internal obstruction in the oxygen path. Kinked or blocked tubing, cannula or humidifier. 2. Flowmeter set at 0.5 L/min. 	<ol style="list-style-type: none"> 1. Inspect for kinks or blockages. Correct, clean or replace item. Once corrected, turn power Off for 60 seconds and then turn power back ON. 2. Flowrates less than 1 L/min are not recommend. <p> The use of the pediatric flowmeter will deactivate the Potential Obstruction Alert.</p>

I0 Technical data

I0.1 Typical Product Parameters

Electrical Requirements:	230 VAC + 10, -15% (253 VAC/195.5 VAC), 50 Hz
Rated Current Input:	1.5 A
Sound Level:	40 dBA max
Altitude:	Up to 6,000 ft (1828 m) above sea level without degradation of concentration levels. Not recommended for use above 6,000 ft (1828 m). Atmospheric pressure range: 101.33 kPa — 81.22 kPa
Oxygen Output Concentration Levels:	87% to 95.6% at 0.5 to 5 L/min 93% ± 3% at 2 L/min  Concentration levels achieved after initial warm-up period (approximately 30 minutes)
Maximum Outlet Pressure:	34.5 kPa ± 3.45 kPa (5 psi ± 0.5 psi)
Low Flow Alarm:	0.5 to 5 L/min (maximum). For flowrates less than 1 L/min, we recommend the use of the Invacare Pediatric Flowmeter Accessory (IRCPF16AW).
Potential Obstruction Alert:	0 L/min to 0.5 L/min The concentrator detects a condition that may indicate a potential obstruction of the output oxygen. Rapid audible beeping alert (this alert is deactivated when accessories are connected). May be associated with flow setting of 0.5 L/min or less.
Power Consumption:	Perfecto ₂ AW - 300 W at 5 L/min, 280 W at 3 L/min Perfecto ₂ VAW - 320 W at 5 L/min

Pressure Relief Mechanism Operational at:	241 kPa ± 24.1 kPa (35 psi ± 3.5 psi)
Change in maximum recommended flow when back pressure of 7kPa is applied:	0.7 L/min
Filters:	Cabinet, Outlet HEPA and Compressor Inlet
Safety System:	Current overload or line surge shutdown High temperature compressor shutdown High Pressure Alarm w/compressor shutdown Low Pressure Alarm w/compressor shutdown Battery Free Power Loss Alarm SensO ₂ Oxygen System Possible Obstruction Alert
Width:	38.1 cm ± 1 cm (15 in ± 3/8 in)
Height:	58.4 cm ± 1 cm (23 in ± 3/8 in)
Depth:	30.5 cm ± 1 cm (12 in ± 3/8 in)
Weight:	Perfecto ₂ AW Models - 20.5 kg ± 1 kg (45 lbs ± 2 lbs) Perfecto ₂ VAW Models - 18.1 kg ± 1 kg (40 lbs ± 2 lbs)
Shipping Weight:	Perfecto ₂ AW Models - 22.7 kg ± 1 kg (50 lbs ± 2 lbs) Perfecto ₂ VAW Models - 20.4 kg ± 1 kg (45 lbs ± 2 lbs)
Operating Ambient Conditions:	10°C - 35°C (50°F - 95°F) at 20-60% relative humidity
Cabinet:	Impact Resistant flame-retardant plastic cabinet that conforms to UL 94-V0
No AP/APG	Not suitable for use in the presence of a flammable anaesthetic mixture

Standards and Regulatory Listing:	IEC/EN60601-1, A1, A2 IEC/EN60601-1-2 IEC/EN61000-3-2 IEC/EN61000-3-3, ISO8359 MDD 93/42/EEC
CE marking model	IRC5PO2AW/IRC5PO2VAW
Electrical:	No extension cords
Placement:	No closer than 30,5 cm (12 in) from any wall, furniture, draperies, or furniture to assure sufficient air flow Avoid deep pile carpets and heaters, radiators or hot air registers Floor location only No confined spaces (Example: No closets)
Tubing:	2 m (7 ft) cannula with a maximum 15 m (50 ft) of Crush-Proof Tubing (DO NOT pinch)
Time of Operation:	Up to 24 hours per day
Recommended Storage and Shipping Temperature:	-29° C to 65° C (-20° F to 150° F) at 15-95% relative humidity
Environment:	Smoke and soot-free No confined spaces (Example: No closets)
Minimum Operating Time:	30 Minutes

Notes

Indholdsfortegnelse

Denne vejledning skal overdrages til slutbrugeren. Før du benytter dette produkt, skal du læse denne vejledning, og du bør opbevare den til senere brug.

I Generelt	36
1.1 Symboler	36
1.2 Tilsigtet brug	38
1.3 Beskrivelse	38
1.4 Kontraindikationer	39
2 Sikkerhed	40
2.1 Placering af mærkater	40
2.2 Generelle retningslinjer	41
2.3 Radiofrekvensinterferens	44
3 Komponenter	45
3.1 Identifikation af komponenter	45
4 Tilbehør	47
4.1 Valgfrit tilbehør	47
5 Udpakning	48
5.1 Udpakning	48
5.2 Inspektion	48
5.3 Opbevaring	48
6 Brug	49
6.1 Indledning	49
6.2 Væg et placeringssted	49
6.3 Opsætning af koncentratoren	50
6.3.1 Opsætning af befugteren	50
6.3.2 Sådan tændes koncentratoren	53
6.3.3 Flowhastighed	54

6.3.4 SensO ₂ -indikatorer for iltrenhed	54
6.3.5 Indledende opstart af koncentratoren	54
6.3.6 Forklaring af iltrenheds-indikatorlamperne	55
6.3.7 Tæller for forløbet tid (timetæller)	55

7 Vedligeholdelse **56**

7.1 Rensning af kabinet	56
7.2 Rensning af kabinetfilter	57
7.3 Rengøring og termisk desinfektion af befugteren	58
7.4 Rengøring og desinfektion mellem patienter	58
7.5 Tjekliste for forebyggende vedligeholdelse	59

8 Efter brug **60**

8.1 Oplysninger om genbrug	60
8.2 Almindeligt slid	60

9 Fejlfinding **61**

9.1 Fejlfinding	61
---------------------------	----

10 Tekniske data **64**

10.1 Typiske produktparametre	64
---	----

I Generelt

I.1 Symboler

I denne vejledning anvendes nedenstående symboler til angivelse af faresituationer eller uhensigtsmæssig anvendelse, som kan medføre person- eller produktskader. Se definitionen på symbolerne i nedenstående tabel.



FARE!

– "Fare" angiver en farlig situation, som, hvis den ikke undgås, vil resultere i dødsfald eller alvorlig kvæstelse.



ADVARSEL!

– "Advarsel" angiver en potentielt farlig situation, som, hvis den ikke undgås, kan resultere i dødsfald eller alvorlig kvæstelse.



FORSIGTIG!

– "Forsigtig" angiver en potentielt farlig situation, som, hvis den ikke undgås, kan resultere i tingskade og/eller mindre kvæstelser.



Giver nyttige tips, anbefalinger og oplysninger, der sikrer en effektiv, problemfri anvendelse.

Symboler i dokumentationen



Læs manualen



rygning forbudt



Ingen åben ild



Klasse II, dobbelt isolering



Vekselstrøm



Type BF-udstyr



Genbrug



MÅ IKKE bortskaffes som almindeligt husholdningsaffald



Elektrisk fare



Skal holdes tør



Forhandler i EU



Producent



Kontakt leverandør



Dette produkt overholder EU-direktivet 93/42/EØF om medicinsk udstyr.

Lanceringsdatoen for dette produkt fremgår af EF-overensstemmelseserklæringen.

Se Typiske produktparametre for at få yderligere oplysninger.

Symboler på produktet





Enhed i drift



Enhed ikke i drift

O₂ Indikatorer

Symbol	O ₂ Renhed	Indikatorlamper (LYSDIODER)
O ₂	SYSTEM OKAY O ₂ over 85%	GRØN indikatorlampe
	O ₂ mellem 73% og 85%	GUL indikatorlampe A. GUL konstant lys B. GUL blinkende sensor Fejl Tilkald en kvalificeret tekniker.
	SYSTEMFEJL O ₂ under 73%	RØD indikatorlampe Vedvarende lydalarm Sieve-GARD nedlukning af kompressor

1.2 Tilsigtet brug

Din iltkoncentrator er beregnet til individuel brug ved patienter med luftvejslidelser, som kræver supplerende ilt. Enheden er ikke beregnet til at opretholde eller understøtte liv. Koncentratoren er beregnet til anvendelse i hjemmet eller på institutioner.



FARE!

RISIKO FOR PERSONSKADE ELLER DØD

Produktet skal bruges som iltsupplement og er ikke beregnet til at skulle holde en patient i live eller fungere som respirator. Brug KUN dette produkt, hvis patienten er i stand til spontan vejrtrækning og er i stand til at ånde ind og ud uden brug af maskinen.

- UNDLAD at bruge apparatet, hvis det er parallelellere serieforbundet med andre iltkoncentratorer eller iltbehandlingsapparater.



FARE!

RISIKO FOR PERSONSKADE ELLER DØD

Afhængig af deres medicinske tilstand kan patienter på flowhastigheder over 5 l/min. have en øget risiko for alvorlig kvæstelse eller død i tilfælde af fejl.

- Du skal ALTID drøfte denne øgede risiko med lægen, INDEN du bruger dette produkt, hvis du får ordineret en flowhastighed på over 5 l/min.



FARE!

RISIKO FOR PERSONSKADE ELLER DØD

Invacare tilstræber at producere den bedste iltkoncentrator, der er på markedet i øjeblikket, men denne iltkoncentrators produktion af ilt kan svigte på grund af strømafbrydelse eller fejlfunktion på apparatet.

- Du skal ALTID have en backup-kilde til O₂ stående klar.
- I tilfælde af, at koncentratoren holder op med at producere ilt, afgiver koncentratoren et kortvarigt alarmsignal til patienten om at skifte til backup-kilden til O₂. Se Fejlfinding for at få flere oplysninger.



ADVARSEL!

RISIKO FOR PERSONSKADE ELLER BESKADIGELSE

Brug af dette produkt ud over den tiltænkte brug og produktparametrene er ikke blevet testet og kan medføre beskadigelse af produktet, tab af produktfunktion eller personskade.

- UNDLAD at bruge dette produkt på anden måde end beskrevet i produktparametrene og afsnittene om tiltænkt brug i denne brugsanvisning.

1.3 Beskrivelse


Invacare Perfecto₂ koncentrator bruges af patienter med luftvejslidelser, som har brug for supplerende ilt. Apparatet er ikke beregnet til at skulle holde en patient i live eller fungere som respirator.

Iltkoncentrationsniveauet i den færdige blanding ligger mellem 87 % og 95,6 %. Iltten tilføres til patienten igennem en iltbrille med næsestykker.

Invacare Perfecto₂ koncentrator bruger en molekylær si og PSA-metoden (Pressure Swing Adsorption) til produktionen af ilt. Luft fra omgivelserne kommer ind i apparatet, hvor den filtreres og herefter komprimeres. Denne komprimerede luft sendes herefter til en af to nitrogenadsorberende molekylære sier.

Koncentreret ilt kommer ud ad den modsatte ende af den aktive si og sendes videre ind i en iltbeholder, hvorfra ilten tilføres til patienten.

Invacare Perfecto₂ koncentrator kan bruges af patienten i hjemmet eller på institutioner. Apparatet kører med en nom. 230 VAC/50 Hz strømforsyning.

 Anvendelsesparametrene er identiske for begge koncentratormodeller (IRC5PO2AW og IRC5PO2VAW) med undtagelse af produktets vægt og strømforbrug. Se Typiske produktparametre.

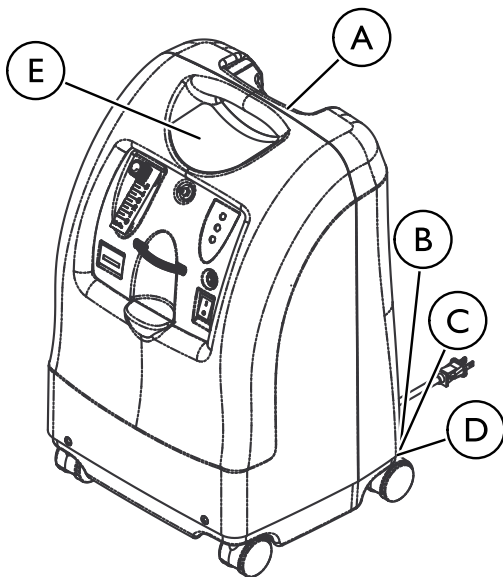
Serviceoplysninger er kun tilgængelige for kvalificeret teknisk personale efter forespørgsel.

1.4 Kontraindikationer

Invacare har ikke kendskab til kontraindikationer vedrørende Invacare Perfecto₂ koncentratorserien.

2 Sikkerhed

2.1 Placering af mærkater



A	Serienummertmærkaten er placeret på resonatorens indsugningssamling.
B	Specifikationsmærkaten er placeret bag på koncentratorens understel.
C	Europæisk forhandlermærkat er placeret på understellet.

D	<p>Ftalatmærkat er placeret på understellet.</p> <div style="border: 1px solid black; border-radius: 20px; padding: 10px; margin-bottom: 10px;"> <p style="text-align: center;">Perfecto₂™</p> <p>SE BRUGSANVISNINGEN, ELLER KONTAKT DIN LEVERANDØR AF UDSTYR TIL HJEMMEPLEJEVEDRØRENDE SIKKERHEDSANVISNINGER, ALARMER, LYDALARMER OG BRUG AF TILBEHØR.</p> <hr/> <p>⚠ FARE BRANDFARE - RYGNING, ÅBEN ILD OG ANTÆNDELSE FORBUDT</p> <p>Hold ALLE antændingskilder ude af det rum, hvor produktet står, og på afstand af det sted, hvor iltten leveres. Tekstiler, olie og andet brandbart materiale antændes let og brænder med stor intensitet i luft, der er beriget med ilt.</p> <p>⚠ FARE FARE FOR ELEKTRISK STØD ☔</p> <p>UNDLAD at afmontere afdækningen. Lad en autoriseret servicetekniker foretage service.</p> <p style="text-align: center;">HomeFill® II Kompatibel</p> </div>
E	<div style="border: 1px solid black; border-radius: 20px; padding: 10px;"> <p style="text-align: center;">Perfecto₂™ V</p> <p>SE BRUGSANVISNINGEN, ELLER KONTAKT DIN LEVERANDØR AF UDSTYR TIL HJEMMEPLEJEVEDRØRENDE SIKKERHEDSANVISNINGER, ALARMER, LYDALARMER OG BRUG AF TILBEHØR.</p> <hr/> <p>⚠ FARE BRANDFARE - RYGNING, ÅBEN ILD OG ANTÆNDELSE FORBUDT</p> <p>Hold ALLE antændingskilder ude af det rum, hvor produktet står, og på afstand af det sted, hvor iltten leveres. Tekstiler, olie og andet brandbart materiale antændes let og brænder med stor intensitet i luft, der er beriget med ilt.</p> <p>⚠ FARE FARE FOR ELEKTRISK STØD ☔</p> <p>UNDLAD at afmontere afdækningen. Lad en autoriseret servicetekniker foretage service.</p> <p style="text-align: center;">HomeFill® II Kompatibel</p> </div>

2.2 Generelle retningslinjer

Denne vejledning SKAL følges for at sikre korrekt og sikker installation, samling og betjening af koncentratoren.



FARE!

Risiko for død, alvorlig kvæstelse eller beskadigelse

Forkert brug af produktet kan medføre død, alvorlig kvæstelse eller beskadigelse. Dette afsnit indeholder vigtige oplysninger vedrørende en sikker betjening og brug af produktet.

- UNDLAD at bruge dette produkt eller nogen former for ekstraudstyr uden først at have læst og forstået denne vejledning og andet instruktionsmateriale, som f.eks. brugsanvisninger, servicemanualer eller instruktionsblade, der leveres sammen med dette produkt eller ekstraudstyret.
- Hvis du ikke kan forstå advarslerne, forsigtighedshenvisningerne eller anvisningerne, bedes du kontakte en behandler, forhandler eller et depot, inden du forsøger at tage produktet i brug.
- Kontrollér ALLE eksterne komponenter og kartoner for skader. Ved beskadigelse eller hvis produktet ikke fungerer korrekt, skal du kontakte en servicetekniker eller Invacare med henblik på reparation.
- OPLYSNINGERNE I DETTE DOKUMENT KAN ÆNDRES UDEN FORUDGÅENDE VARSEL.



FARE!

Risiko for død, alvorlig kvæstelse eller beskadigelse på grund af brand

Tekstiler, olie eller oliestoffer, fedt eller fedtstoffer og andre brændbare stoffer antændes nemt og brænder meget kraftigt i iltberiget luft og ved kontakt med ilt under tryk. Sådan undgås brand, død, alvorlig kvæstelse eller beskadigelse:

- RYGNING ER IKKE TILLADT, mens systemet er i brug.
- MÅ IKKE bruges i nærheden af ÅBEN ILD eller ANTÆNDINGSKILDER.
- UNDLAD at bruge smøremidler på koncentratoren, medmindre dette anbefales af Invacare.
- Der skal være tydelige RYGNING FORBUDT-skilte.
- Undgå dannelse af gnister i nærheden af iltudstyr. Dette omfatter gnister fra statisk elektricitet opstået ved enhver form for friktion.
- Hold alle tændstikker, tændte cigaretter eller andre antændingskilder ude af det rum, hvor koncentratoren er placeret, og på afstand af det sted, hvor ilten leveres.
- Sørg for, at iltslangerne, ledningen og koncentratoren ikke befinder sig under genstande som tæpper, sengetæpper, sædepuder og tøj, og hold dem væk fra opvarmede eller varme overflader, herunder varmeapparater, brændeovne og lignende elektriske apparater.



FORSIGTIG!

Lovgivningen indeholder begrænsende bestemmelser, som gør, at dette udstyr udelukkende må sælges af eller efter henvisning fra en læge, der er licenseret i henhold til den offentlige myndighed, hvor han eller hun praktiserer.

- Dette udstyr må **UDELUKKENDE** købes eller bruges efter henvisning fra en licenseret læge.



FARE!

Risiko for død, alvorlig kvæstelse på grund af elektrisk stød

Sådan reduceres risikoen for forbrændinger, elektriske stød, død eller personskade:

- Må **IKKE** adskilles. Lad en autoriseret servicetekniker foretage service. Der er ingen dele, som brugeren selv kan udføre service på.
- Undlad at bruge koncentratoren under badning. Hvis fortsat brug er nødvendig i henhold til lægeordning, skal koncentratoren placeres i et andet rum mindst 2,5 m fra badet.
- **UNDGÅ** at berøre koncentratoren, hvis du er våd.
- **UNDLAD** at placere eller opbevare koncentratoren et sted, hvor den kan falde ned i vand eller anden væske.
- Ræk **ALDRIG** ud efter en koncentrator, der er faldet ned i vand. Afbryd strømmen **OMGÅENDE**.
- Anvend **ALDRIG** flossede eller beskadigede ledninger til vekselstrømsadapteren.



ADVARSEL!

Risiko for personskade eller beskadigelse

– Invacares produkter er udviklet og fremstillet specifikt til brug sammen med tilbehør fra Invacare. Tilbehør, der er udviklet af andre producenter, er ikke blevet testet af Invacare og kan ikke anbefales til brug sammen med Invacares produkter.

- Der er mange forskellige typer befugtere, iltslanger, iltbriller og masker, som kan anvendes sammen med dette apparat. Kontakt din lokale hjemmesundhedsudbyder for at få rådgivning om, hvilke af disse apparater, der vil være bedst for dig. De bør også rådgive dig om korrekt brug, vedligeholdelse og rengøring.



FARE!

Risiko for personskade eller død

Sådan undgås kvælning eller indtagelse af kemikalier fra forurenede luft:

- **UNDLAD** at bruge koncentratoren på steder med forurenende stoffer, røg, brændbare bedøvelsesmidler, rengøringsmidler eller kemiske dampe.



ADVARSEL!

Risiko for personskade eller død

Sådan undgås personskade eller død ved forkert brug af produktet:

- Hold nøje opsyn, når koncentratoren bruges af eller i nærheden af børn eller handicappede.
- Overvåg brugen af udstyret hos patienter, som ikke kan høre eller se alarmer eller give udtryk for ubehag.

**ADVARSEL!****Skaderisiko eller risiko for dødsfald**

Sådan undgås kvælning på grund af sammenfildrede slanger:

- Sørg for at holde iltbrillen med næsestykke og slangerne uden for børns og dyrs rækkevidde.
- Det er nødvendigt at holde nøje opsyn, når iltbrillen med næsestykke bruges af eller i nærheden af børn og/eller handicappede personer.

**ADVARSEL!****Risiko for personskade eller død**

Sådan reduceres risikoen for personskade eller død på grund af sygdom:

- Udskift iltbrillen med næsestykke regelmæssigt. Spørg din leverandør af udstyret eller din læge om, hvor ofte iltbrillen bør udskiftes.
- Iltbriller må IKKE deles af patienter.

**ADVARSEL!****Risiko for personskade**

Ændringer af højden kan påvirke iltforsyningen. Sådan undgås manglende adgang til ilt:

- Kontakt din læge, før du rejser til højere eller lavere beliggende steder for at få oplyst, om dine flowindstillinger skal ændres.

**ADVARSEL!****Risiko for personskade eller beskadigelse**

Sådan undgås personskade eller beskadigelse ved forkert brug af ledningen:

- UNDLAD at flytte koncentratoren ved at trække i ledningen.
- UNDLAD at bruge forlængerledninger med den medfølgende vekselstrømsadapter.
- Opbevar og placér elektriske ledninger og/eller slanger korrekt for at undgå risikoen for fald.

**ADVARSEL!****Risiko for personskade eller beskadigelse**

Sådan undgås personskade eller beskadigelse ved forkert brug:

- Efterlad ALDRIG koncentratoren uden opsyn, når den er sat i stikkontakten.
- Sørg for, at koncentratoren er slået FRA, når den ikke er i brug.
- Brug ALTID intern eller ekstra batteristrøm ved udendørs brug.



ADVARSEL!

Risiko for personskade eller beskadigelse

Invacare iltkoncentratorer er designet specifikt til at mindske den rutinemæssige forebyggende vedligeholdelse. Sådan undgås personskade eller beskadigelse:

- Forebyggende vedligeholdelse eller indstilling af iltkoncentratoren må kun udføres af professionelt sundhedspersonale eller personer, der er fuldt fortrolige med denne proces, som f.eks. fabriksuddannet personale (undtagen opgaver beskrevet i denne brugsanvisning).
- Brugeren skal kontakte forhandleren eller Invacare for service.



FORSIGTIG!

Risiko for beskadigelse

Sådan undgås beskadigelse på grund af indtrængende væske:

- Hvis koncentratoren ikke virker korrekt, har været tabt eller er blevet beskadiget eller har været tabt i vand, skal du kontakte leverandøren af udstyret eller en uddannet tekniker med henblik på undersøgelse og reparation.
- Sørg for, at der ALDRIG kommer genstande eller væske ind i åbningerne.
- Invacare anbefaler, at koncentratoren ikke bruges i regn.

2.3 Radiofrekvensinterferens



ADVARSEL!

Skaderisiko eller risiko for beskadigelse

Sådan reduceres risikoen for personskade eller beskadigelse af produktet på grund af interferens med trådløst udstyr:

- Hold koncentratoren mindst 3,0 m (9,8 ft) væk fra trådløst kommunikationsudstyr som f.eks. trådløse netværksenheder i hjemmet, mobiltelefoner, trådløse telefoner og deres basestationer, walkie-talkies osv.

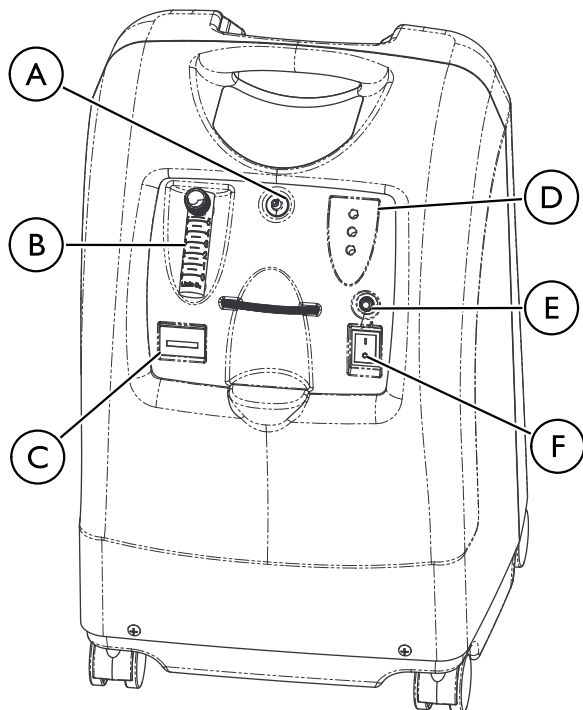
Dette udstyr er testet og fundet i overensstemmelse med de tilladte grænser for elektromagnetisk kompatibilitet i henhold til IEC/EN 60601-1-2. Disse begrænsninger skal sikre en rimelig beskyttelse mod elektromagnetisk interferens i en typisk medicinsk installation.

Ved andre apparater kan der forekomme interferens selv fra de lave niveauer for elektromagnetiske emissioner, der er tilladt i henhold til ovennævnte standarder. For at afgøre, om det er emissionerne fra koncentratoren, der forårsager interferensen, slukkes koncentratoren. Hvis interferensen med det andet udstyr ophører, er det koncentratoren, der er årsag til interferensen. I sådanne sjældne tilfælde kan interferensen reduceres eller afhjælpes på en af følgende måder:

- Placér apparaterne anderledes, flyt dem eller øg afstanden mellem dem.
- Slut udstyret til en anden udgang på et andet kredsløb end det, som den anden enhed/de andre enheder er tilsluttet.

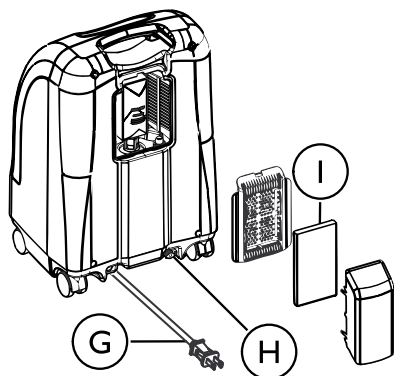
3 Komponenter

3.1 Identifikation af komponenter



(A)	Iltudtag
(B)	Flowmåler
(C)	Tæller for forløbet tid
(D)	Iltrenheds- og fejlindikatorlamper/ Fejl- og strømindikatorlamper
(E)	Kredsløbsafbryder
(F)	Afbryderkontakt

Set bagfra



Ⓒ	Netledning
Ⓗ	HomeFill udtagsbeslag
Ⓘ	Kabinetfilter

i HomeFill udtagsbeslag **Ⓗ** er kun beregnet til at fylde iltflasker ved hjælp af HomeFill iltkompressoren til brug i hjemmet. Udtagsbeslaget påvirker ikke koncentratorens drift. Se brugsanvisningen til HomeFill for tilslutnings- og betjeningsinstruktioner. Proppen, som leveres sammen med koncentratoren, bør sættes i udtagsbeslaget, når det ikke er i brug. Kontakt din Invacare forhandler for at få yderligere oplysninger om HomeFill.

4 Tilbehør

4.1 Valgfrit tilbehør

Der er mange forskellige typer befugtere, iltslanger, iltbriller og masker, som kan anvendes sammen med dette apparat. Kontakt din lokale hjemmesundhedsudbyder for at få rådgivning om, hvilke af disse apparater, der vil være bedst for dig. De bør også rådgive dig om korrekt brug, vedligeholdelse og rengøring.

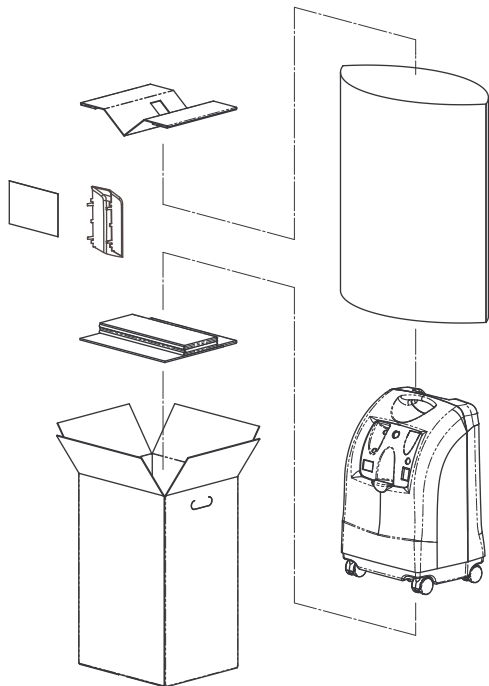
Det tilbehør (iltbrille med næsestykke, maske, slange, befugter osv.), der bruges til at tilføre ilt til patienten, skal inkludere et hjælpemiddel til at reducere spredning af ild i tilbehøret af hensyn til patientens og andre personers sikkerhed. Hvis der anvendes et almindeligt tilgængeligt flowstopapparat, som aktiveres af ild, i tilbehørsopstillingen, skal den placeres så tæt på patienten som praktisk muligt.

Der kan fås følgende valgfrie tilbehørs- og udskiftningsdele (som vist nedenfor):

- Standard voksen iltbrille med næsestykke, 2,1 m (7 ft) - M3120
- Standard befugter - Invacare del #1155719
- PreciseRX™ Pædiatrisk befugter/flowmåler tilbehør - IRCPF16AW
- HomeFill iltkompressor til hjemmebrug - IOH200AW
- Befugterflaskeholder - M1521
- Iltforsyningslange 2,1 m (7 ft) - MS4107
- Iltforsyningslange 6,3 m (21 ft) - MS4121
- Iltslangeudtag - MS4301

5 Udpakning

5.1 Udpakning



1. Kontroller, om der er synlige skader på emballagen eller indholdet. Ret henvendelse til fragtmænd eller Invacare, hvis der er skader.
2. Fjern al løs emballage fra pakken.
3. Udtag forsigtigt alle komponenter fra emballagen.



Medmindre iltkoncentratoren STRAKS skal i brug, opbevares den i den originale emballage, indtil den skal tages i brug.

5.2 Inspektion

1. Efterse/undersøg det udvendige af koncentratoren for hak, buler, revner, ridser eller andre beskadigelser.
2. Undersøg alle komponenter.

5.3 Opbevaring

1. Opbevar den genemballerede iltkoncentrator et tørt sted. Se Typiske produktparametre for at få oplysninger om opbevaringstemperaturparametre.
2. Der må IKKE placeres andre objekter oven på den genemballerede koncentrator.

6 Brug

6.1 Indledning

Din iltkoncentrator er beregnet til personlig brug indendørs. Iltkoncentratoren er beregnet til individuel brug i hjemmet. Det er en elektronisk styret enhed, som udskiller ilt fra luften i rummet. Derved leveres en høj koncentration af ilt direkte gennem en næseslange. Kliniske undersøgelser har dokumenteret, at iltkoncentratorer terapeutisk kan sidestilles med andre typer iltforsyningsystemer.

Din leverandør vil vise, hvordan du bruger iltkoncentratoren. Du kan kontakte leverandøren, hvis du har spørgsmål til eller problemer med iltkoncentratoren. Denne betjeningsvejledning indeholder oplysninger om koncentratoren, og den fungerer som reference i forbindelse med brug af koncentratoren.

6.2 Vælg et placeringssted



ADVARSEL!

Risiko for personskade eller beskadigelse

Følgende skal iagttages for at undgå personskade eller beskadigelse på grund af forurenende stoffer i luften og/eller røg samt for at sikre optimal funktion:

- Placér koncentratoren på et sted med god udluftning, hvor luftind- og -udsugning ikke er blokeret.
- UNDLAD at blokere koncentratorens luftåbninger eller at stille produktet på en blød overflade, som f.eks. en seng eller sofa, hvor luftåbningerne kan blive blokeret.
- Sørg for at fjerne fruller, hår og lignende fra åbningerne.
- Hold koncentratoren mindst 30,5 cm væk fra vægge, gardiner og møbler.
- Undlad at bruge koncentratoren på steder med forurenende stoffer, røg, brændbare bedøvelsesmidler, rengøringsmidler eller kemiske dampe.
- Placér koncentratoren på et sted med god udluftning for at undgå forurenende stoffer i luften og/eller røg.
- Må IKKE anvendes i et skab.



ADVARSEL!

Skaderisiko

Sådan undgås personskader under behandling:

- Iltkoncentratoren SKAL være anbragt på en plan overflade til brug.
- Iltkoncentratoren må IKKE flyttes, mens den er i brug.

Du kan vælge det sted i huset, hvor anvendelse af iltkoncentratoren vil være mest bekvem. Koncentratoren kan nemt ruller fra ét rum til et andet, takket være hjulene.

Iltkoncentratoren vil udføre bedst, når drives under de betingelser, der er skitseret i typiske produkt- parametre.

Anvendelse i andre miljøer end de her beskrevne kan medføre behov for øget vedligeholdelse af udstyret. Luftindsugningen til enheden skal være placeret i et velventileret område, for at undgå luftbårne forureningsstoffer og/eller dampe.

6.3 Opsætning af koncentratoren

1. Sæt netledningen i en stikkontakt.
2. Tilslut befugter (hvis dette er foreskrevet)

6.3.1 Opsætning af befugteren



ADVARSEL!

Risiko for personskade eller beskadigelse

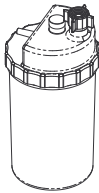
Sådan undgås forbrændinger fra damp eller varmt vand, indånding af vand og/eller vandskade på koncentratoren:

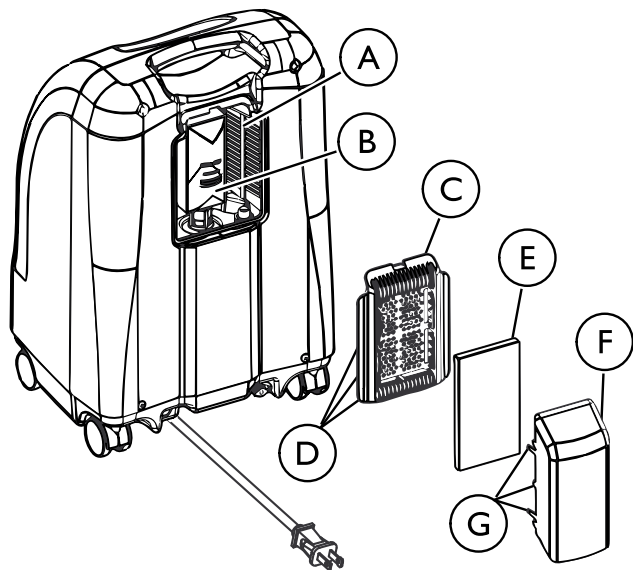
- Befugterflasken MÅ IKKE fyldes med varmt vand. Lad kogt vand køle af til stuetemperatur før påfyldning.
- OVERFYLD IKKE befugteren.
- Sæt låget på befugteren igen, og spænd det godt til. Sørg for, at låget sidder korrekt i gevindet på befugterflasken.
- Der MÅ IKKE byttes rundt på tilslutningerne til indsugning og udtag. Vand fra befugterflasken føres tilbage gennem iltbrillen til patienten, hvis der byttes om på tilslutningerne til indsugning og udtag.
- Når der anvendes slangeforbindelser med en længde på mere end 2,1 m (7 ft), skal befugteren placeres så tæt ved patienten som muligt for at tillade maksimal befugtning.

**ADVARSEL!****Risiko for personskade eller beskadigelse**

Hvis befugterflasken eller andet tilbehør til koncentratoren ikke installeres korrekt, vil det påvirke iltflowet.

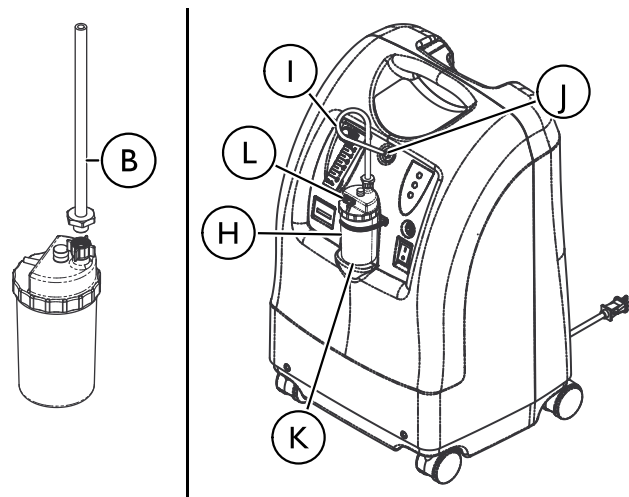
- For at kontrollere, at iltkoncentratoren og tilbehøret fungerer korrekt, skal du placere enden af iltbrillen med næsestykke under vandoverfladen i en kop, der er halvt fyldt op med vand, og se efter bobler.
- Hvis der ikke er nogen bobler, skal du kontrollere alle tilslutninger (herunder også befugterflasken og andet tilbehør, hvis det er relevant) og gentage processen. Kontakt omgående din forhandler eller serviceudbyder, hvis der stadig ikke er nogen bobler.

Befugterflasken med Cap**Befugterflasken uden Cap**



1. Fjern låget fra flasken.
2. Fyld befugterflaske med kogt vand fra hanen eller vand på flaske til det niveau, der er anvist af producenten. Kog vand fra hanen i ca. 10 minutter, og lad det afkøle til stuetemperatur før brug.
3. Indsæt en fladhovedet skruetrækker i rille på den øverste kant af filteradgangsdør, og løft forsigtigt filteradgangsdøren af.
4. Træk den op, og fjern befugterflaskens adapter ②.

5. Udskift filteradgangsdør ③ og monter luftindsugning ④ på filteradgangsdøren ved at isætte de 6 flige ⑤ i luftindsugningen i de 6 huller ⑥ på siderne af filteradgangsdøren.



6. Sæt den på befugteren ved at dreje vingemøtrikken på befugterflasken ④ mod uret, indtil den er sikkert fastgjort.

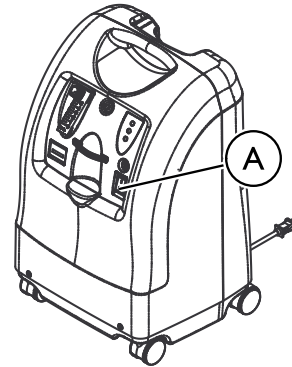
7. Vælg placering af befugterflaske/adaptersamling:

- år befugterflasken placeres i rummet på koncentratoren, skal slangen til befugterflaske/adapter ① fastgøres på iltudtag ① på koncentratoren.
- Placering af befugterflasken ved siden af patienten: Anbring befugterflasken/adaptersamlingen i befugterflaskeholder ② (M1521, se Ekstra tilbehør), og stil den på en vandret flade så tæt ved patienten som muligt. Fastgør et iltslangeudtag (MS4301, se Ekstra tilbehør) på enden af slangen til befugterflasken/adapteren. Forbind den ene ende af iltforsyningsslangen (MS4107 eller MS4121, se Ekstra tilbehør) med den frie ende af iltslangeudtaget og den modsatte ende af iltudtaget på koncentratoren.

i Når der anvendes slangeforbindelser med en længde på mere end 2,1 m (7 ft), skal befugteren placeres så tæt ved patienten som muligt for at tillade maksimal befugtning.

8. Fastgør slangen til patientens iltbrille med næsestykke til befugterflaskeudtag ③.
9. Sørg efter monteringen for, at der kommer ilt ud af kanylen.

6.3.2 Sådan tændes koncentratoren



1. Tryk på tænd/sluk-knap ④ til stillingen Tændt.

i Hele panelet oplyses, og der lyder en alarm i et sekund, hvilket indikerer, at enheden fungerer korrekt.

6.3.3 Flowhastighed

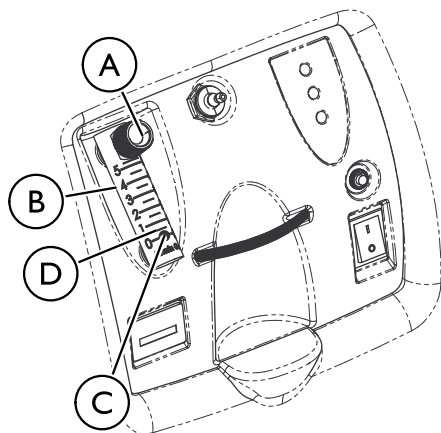


ADVARSEL!

Risiko for personskade

Sådan undgås personskade forårsaget af overskydende eller manglende ilt:

- Der må IKKE ændres på L/min.-indstillingen på flowmåleren, medmindre en ændring er foreskrevet af lægen/den behandlingsansvarlige.



Indstil ikke flowet højere end den RØDE ring. Et iltflow på mere end 5 l/min. vil reducere iltkoncentrationen.

1. Drej flowhastighedsknappen **A** til den indstilling, der er foreskrevet af lægen/den behandlingsansvarlige.



For korrekt aflæsning af flowmåleren **B** skal du finde den foreskrevne flowhastighedslinje på flowmåleren. Drej derefter flowknappen, indtil kuglen hæves til den pågældende linje. Centrér nu kuglen **C** på den foreskrevne L/min.-linje.

2. Hvis flowmængden på flowmåleren falder til under 0,5 l/min **D** l mere end et minut, udløses en "alarm pga. mulig forhindring". Denne består af en række hurtige alarmbip. Kontrollér slangen eller tilbehøret for blokering eller sammenklemning og kontroller, at befugterflasken ikke er defekt. Når det nominelle flow igen ligger på mellem 0,5 l/min og 0,75 l/min, slukker "alarm pga. mulig forhindring".



Brug af nogle former for tilbehør som f.eks. den pædiatriske flowmåler PreciseRx™ og HomeFill-kompressoren deaktiverer "alarm pga. mulig forhindring".

6.3.4 SensO₂-indikatorer for iltrenhed

Denne funktion overvåger renheden af den ilt, der genereres af iltkoncentratoren. Hvis renheden falder til under de forudindstillede fabriksstandarder, tændes indikatorlamper på kontrolpanelet.

6.3.5 Indledende opstart af koncentratoren

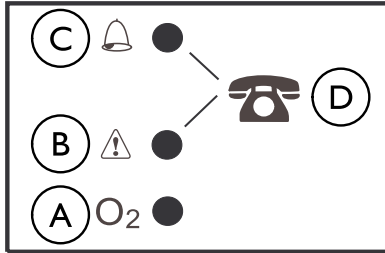






Koncentratoren kan anvendes under den indledende opstarts-opvarmningstid (ca. 30 minutter), mens der ventes på, at O₂-renheden når sit maksimum.

Når enheden er tændt, lyser den GRØNNE lampe (SYSTEM OK/O₂ højere end 85 %). Efter fem minutter vil iltensoren fungere normalt,

og den vil herefter kontrollere indikatorlamperne, afhængigt af iltkoncentrationsværdierne.

6.3.6 Forklaring af iltrenheds-indikatorlamperne



	Lys	Symbol	Forklaring
Ⓐ	GRØNT lys	(O ₂)	normal drift
Ⓑ	GULT lys		Kontakt omgående leverandøren. Du kan fortsætte med at bruge koncentratoren, medmindre leverandøren instruerer dig om andet. Sørg for, at der er backup-ilt i nærheden.
Ⓒ	RØDT lys		Total nedlukning af enheden. Skift omgående til back-iltforsyning, og kontakt leverandøren.
Ⓐ Ⓑ	GRØNT lys med GULT blinkende lys	(O ₂) og 	Kontakt omgående leverandøren. Der er fejl på iltføleren. Du kan fortsætte med at bruge koncentratoren.
Ⓓ	—		Kontakt leverandør

6.3.7 Tæller for forløbet tid (timetæller)

Timetælleren viser det akkumulerede antal driftstimer. Se Identifikation af komponenter for specifikke placering.

7 Vedligeholdelse

7.1 Rensning af kabinnet



FARE!

Risiko for personskade eller beskadigelse

Invacare iltkoncentratorer er designet specifikt til at mindske den rutinemæssige forebyggende vedligeholdelse. Sådan undgås personskade eller beskadigelse:

- Forebyggende vedligeholdelse af iltkoncentratoren må kun udføres af kvalificeret personale.
- Huset MÅ IKKE fjernes.



FARE!

Risiko for personskade eller beskadigelse

Væske beskadiger koncentratorens indvendige komponenter. Sådan undgås beskadigelse eller personskade som følge af elektrisk stød:

- Sluk for koncentratoren, og træk stikket ud inden rengøring.
- Der MÅ IKKE komme rengøringsmiddel ind i luftindsugnings- og udsugningsåbningerne.
- UNDLAD at sprøjte eller påføre rengøringsmiddel direkte på huset.
- UNDLAD at rengøre produktet med vandslange.



FORSIGTIG!

Risiko for beskadigelse

Skrappe kemiske midler kan beskadige koncentratoren. Sådan undgås beskadigelse:

- UNDLAD at rengøre huset, bæretasken eller filteret med alkohol og alkoholbaserede produkter (isopropylalkohol), koncentrerede klorinbaserede produkter (ethylenklorid) og oliebasebaserede produkter (Pine-Sol®, Lestoil®) eller andre skrappe kemiske midler. Brug kun et mildt opvaskemiddel (som f.eks. Dawn™)



Som minimum SKAL forebyggende vedligeholdelse udføres i henhold til retningslinjerne i vedligeholdelsesplanen. På steder, hvor der er meget støv eller sod, kan det være nødvendigt at udføre vedligeholdelse hyppigere.

Rengør huset på koncentratoren med jævne mellemrum på følgende måde:

1. Brug en fugtig klud eller svamp med et mildt rengøringsmiddel, som f.eks. Dawn™ opvaskemiddel, til forsigtigt at rengøre den udvendige kappe.
2. Lad koncentratoren lufttørre, eller tør den med et tørt håndklæde, før den tages i brug.

7.2 Rensning af kabinetfilter



FORSIGTIG!

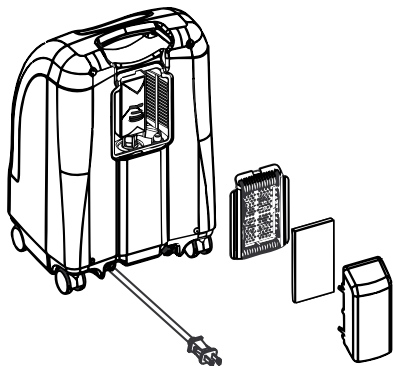
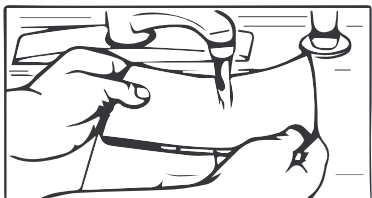
Risiko for beskadigelse

Sådan undgås beskadigelse på grund af tilstopning:

- UNDLAD at bruge koncentratoren, når iltindsugningsfilteret ikke er sat i.



Der er et filter på huset, som er placeret bag på huset.




1. Fjern filteret og rengør efter behov.




Miljømæssige forhold, der kan kræve en hyppigere rengøring af filtrene, omfatter - men er ikke begrænset til: meget støv, rygning, luftforurening, mv.

2. Rengør kabinettet filteret med en støvsuger eller vask med et mildt flydende opvaskemiddel (såsom Dawn™) og vand. Skyl grundigt.
3. Tør filteret grundigt, og kontrollér, om det er flosset, slidt, revnet eller hullet. Udskift filteret, hvis der er nogen som helst form for beskadigelse.
4. Montér husets filter igen.

7.3 Rengøring og termisk desinfektion af befugteren

 Rengør og desinficere iltbefugteren dagligt for at fjerne kalkaflejringer og eventuel forurening med bakterier. Følg de anvisninger, der medfølger fra producenten. Hvis der ikke medfølger anvisninger, skal disse trin følges:

1. Vask befugteren i sæbevand, og skyl med en opløsning af ti dele vand og en del eddike.
2. Skyl grundigt med varmt vand.
3. Lad befugteren lufttørre helt.

 For at begrænse bakterievæksten skal befugteren lufttørres efter rengøringen, når den ikke er i brug. Se Opsætning til brug

7.4 Rengøring og desinfektion mellem patienter




ADVARSEL!

Risiko for personskade eller beskadigelse

Sådan undgås personskade pga. infektion eller beskadigelse af koncentratoren:

- Rengøring og desinfektion af iltkoncentratoren og tilbehøret mellem patienter må kun foretages af uddannet personale.

 Følg disse anvisninger for at udelukke en mulig spredning af sygdomsfremkaldende mikroorganismer fra patient til patient på grund af forurening af komponenter eller tilbehør. Den forebyggende vedligeholdelse skal om nødvendigt også foretages på dette tidspunkt.

1. Bortskaf eller udskift alt patientside-tilbehør, som ikke er egnet til brug af flere patienter, herunder, men ikke begrænset til:
 - Iltbrille med næsestykke og slanger
 - Maske
 - Befugter
2. Gennemfør procedurerne for vedligeholdelse, der er beskrevet i denne manual, og punkterne på tjeklisten for forebyggende vedligeholdelse.
3. Kontroller koncentratoren for udvendige skader eller tegn på, at den kræver eftersyn eller reparation.
4. Sørg for, at koncentratoren fungerer korrekt, og at alle alarmer er i orden.
5. Før nedpakning og udlevering til en ny patient skal det sikres, at kassen indeholder koncentrator, strømledning, luftindsugning, samlevejledning, befugter, iltbrille, mærkater og brugsanvisning.

7.5 Tjekliste for forebyggende vedligeholdelse

Modelnr:

Serienr:

VED HVER INSPEKTION							
Registrer serviceringdatoen							
Registrer timeantallet fra timetælleren							
Rengør filter/filtre på huset							
Kontroller foreskrevet l/min. flowhastighed							
UNDER PLAN FOR FOREBYGGENDE VEDLIGEHOLDELSE, ELLER MELLEMLØST							
Enheder med SensO₂ - HVER 26280 TIMER							
Kontrollér iltkoncentration*							
Rengør/udskift filter/filtre på huset							
Kontrollér/udskift HEPA-udløbsfilter*							
Kontrollér/udskift kompressor-indløbsfilter*							
Kontroller alarm for strømsvigt							



26.820 timer svarer til brug døgnet rundt i 7 dage om ugen i 3 år.

*Skal foretages af leverandøren eller en uddannet servicetekniker. Se servicemanualen.

8 Efter brug

8.1 Oplysninger om genbrug

TDette produkt stammer fra en miljøbevidst leverandør, der overholder kravene i WEEE-direktivet 2012/19/EU om affald af elektrisk og elektronisk udstyr. Dette produkt kan indeholde stoffer, som kan skade miljøet, hvis de bortskaffes på steder (lossepladser), der ikke overholder gældende lovgivning.

Overhold lokale lovbestemmelser og genbrugsplaner vedrørende bortskaffelse af koncentratoren eller komponenter, der normalt anvendes. Koncentratoren genererer ikke affald eller rester under driften.

- UNDLAD at bortskaffe koncentratoren som almindeligt affald.
- Alt tilbehør, der ikke er en del af koncentratoren, SKAL håndteres i overensstemmelse med den individuelle produktmærkning vedrørende bortskaffelse.
- UNDLAD at bortskaffe det interne batteri eller ekstrabatterisæt. Batterisæt skal indleveres hos din forhandler/leverandør.

Invacare® arbejder løbende på at sikre, at virksomhedens påvirkning af miljøet, lokalt og globalt, reduceres til et minimum. Vi overholder den gældende miljølovgivning (f.eks. WEEE- og RoHS-direktiverne). Vi anvender udelukkende materialer og komponenter, der overholder REACH-direktivet.

8.2 Almindeligt slid

Invacare forbeholder sig ret til at bede om returnering af enhver artikel eller komponent, som har en påstået konstruktionsdefekt. Se garantien, som blev leveret sammen med produktet, for at få specifikke garantioplysninger.

Se brugsanvisningen for oplysninger om anvendelse af produktet og plan for forebyggende vedligeholdelse.

Dette er kun en generel vejledning, som ikke omfatter komponenter og udstyr, som beskadiges pga. misbrug eller forkert brug. Brugstiden afhænger af mange faktorer.

Almindelige sliddele for dette produkt fremgår af listen herunder.

- Alle filtertyper
- Alle slangetyper
- Alle batterityper, herunder blysyre-/litium- og knapcellebatterier (bruges bl.a. til ure) og gel (6 måneder)




Sien er i et porøst filtreringsmateriale, og betragtes som en sliddele. Visse faktorer kan påvirke simaterialets levetid, herunder fugtighed, temperatur, partikler, luftforurening, luftindtag, vibration og andre miljøforhold.

9 Fejlfinding

9.1 Fejlfinding


SYMPTOM	MULIG ÅRSAG	LØSNING
<p>Alarm:</p> <p>Kort bip, lang pause</p> <p>Koncentrator fungerer ikke, der er tændt på strømafbryderen.</p> <p>Bip.....Bip.....</p>	<p>Strømfald:</p> <ol style="list-style-type: none"> 1. Netledning IKKE sat i. 2. Ingen strøm i stikkontakt. 3. Udløst automatsikring. 	<ol style="list-style-type: none"> 1. Sæt stikket i en stikkontakt. 2. Kontroller husets sikringer. Brug en anden stikkontakt, hvis problemet vedvarer. 3. Tryk/reset af afbryder. Hvis problemet gentager sig, kontakt serviceudbyderen.
<p>Alarm:</p> <p>Kontinuerlig</p> <p>Koncentrator fungerer ikke, der er tændt på strømafbryderen.</p> <p>Biiiiip....</p>	<p>Systemfejl:</p> <ol style="list-style-type: none"> 1. Enheden overophedet pga. blokeret luftindtag. 2. Ikke strøm nok i stikkontakt. 3. Indvendige reparationer påkrævet 	<ol style="list-style-type: none"> 1. <ol style="list-style-type: none"> a. Aftag og rengør kabinetfiltre. b. Flyt iltkoncentratoren, så den er mindst 30,5 cm fra vægge, forhæng og møbler. 2. BRUG IKKE forlængerledninger. Skift til en anden stikkontakt eller sikringsgruppe. 3. Tilkald en servicetekniker.

SYMPTOM	MULIG ÅRSAG	LØSNING
<p>Alarm: GUL eller RØD lampe tændt. Alarm: Kontinuerligt tændt RØDT lys * Gælder kun for IRC5PO2AW & IRC5PO2VAW</p>	<p>Systemfejl:</p> <ol style="list-style-type: none"> 1. Lav iltrenhed.* 2. Sammenklemt eller blokeret slange, kanyle eller befugter.* 3. Flowmåler indstillet til 0,5 L/min. eller mindre.* 4. Enheden overophedet pga. blokeret luftindtag. 5. Ikke strøm nok i stikkontakt. 6. Indvendige reparationer påkrævet. 	<ol style="list-style-type: none"> 1. Rengør eller udskift filtre. 2. Kontroller, om der er sammenklemning eller blokeringer. Korriger, rengør eller udskift delen. Når korrektion er foretaget, skal apparatet slukkes i 60 sekunder og derefter tændes igen. 3. Kontrollér, at flowmåleren er indstillet til 1,0 l/min. eller højere. Se Typiske produktparametre. 4. <ol style="list-style-type: none"> a. Aftag og rengør kabinetfiltre. b. Flyt koncentratoreren, så den er mindst 30,5 cm fra vægge, forhæng og møbler. 5. BRUG IKKE forlængerledninger. Skift til en anden stikkontakt eller sikringsgruppe. 6. Tilkald en servicetekniker.
<p>GRØNT lys med GULT blinkende lys</p>	<ol style="list-style-type: none"> 1. Indvendige reparationer påkrævet. 	<ol style="list-style-type: none"> 1. Tilkald en servicetekniker.

SYMPTOM	MULIG ÅRSAG	LØSNING
<p>Alarm:</p> <p>HURTIG</p> <p>Bip....Bip...</p> <p>Bip...Bip</p>	<p>"Alarm pga. mulig forhindring":</p> <ol style="list-style-type: none"> 1. Mulig intern forhindring i iltens bane. Sammenklemt eller blokeret slange, kanyle eller befugter. 2. Flowmåler indstillet til 0,5 L/min eller mindre. 	<ol style="list-style-type: none"> 1. Kontroller, om der er sammenklemning eller blokeringer. Korrigér, rengør eller udskift delen. Når korrektion er foretaget, skal strømmen slås FRA i 60 sekunder og derefter slås TIL igen. 2. Indstil atter flowmåleren til den foreskrevne flowhastighed. Flowhastigheder på mindre end 1 L/min anbefales ikke. <p> Brug af den pædiatriske flowmåler deaktiverer "alarm pga. mulig forhindring".</p>

10 Tekniske data

10.1 Typiske produkparametre

Elektriske krav:	230 VAC + 10, -15% (253 VAC/195.5 VAC), 50 Hz
Nominelt strøm-input:	1,5 A
Lydniveau:	40 dBA max
Højde:	Op til 1828 meter over havoverfladen uden mindskelse af koncentrationsniveauer. ANBEFALES IKKE TIL BRUG OVER 1828 METER. Atmosfærisk trykområde: 101,33kPa - 81,22kPa
Iltudtag Koncentrationsniveauer:	87% til 95.6% ved 0.5 til 5 l/min 93% ± 3% ved 2 l/min  Koncentrationsniveauer opnået efter første opvarmingsperiode (ca. 30 minutter)
Maksimalt udgangstryk:	34,5 kPa ± 3,45 kPa (5 psi ± 0,5 psi)
Flowinterval:	0,5 to 5 L/min (maksimalt). Ved gennemstrømningshastigheder mindre end 1 l/min anbefaler vi anvendelse af Invacare pædiatrisk flowmeterekstraudstyr (IRCPF16AW)
"Alarm pga. mulig forhindring":	0 l/min til 0,5 l/min Koncentratoren har fundet et forhold, som kan være tegn på en mulig forhindring af iltproduktionen. Alarm med hurtige bip (denne alarm aktiveres, når tilbehøret tilsluttes). Kan skyldes en flowindstilling på 0,5 l/min eller mindre.
Strømforbrug:	Perfecto ₂ AW - 300 W ved 5 l/min, 280 W ved 3 l/min Perfecto ₂ VAW - 320 W ved 5 l/min

Trykafkastningsmekanisme træder i kraft ved:	241 kPa ± 24,1 kPa (35 psi ± 3,5 psi)
Ændringer i maksimalt anbefalet flow, når tilbagetryk på 7k Pa påtrykkes:	0,7 l/min
Filtre:	Kabinet, udgang HEPA og kompressorindtag.
Sikkerhedssystem:	Overspænding eller strømudfald. Kompressornedlukning pga. høj temperatur. Højt tryk-alarm m/kompressor- nedlukning. Lavt tryk-alarm m/kompressor- nedlukning. Batteriløs strømtabsalarm. SensO ₂ -iltsystem "Alarm pga. mulig forhindring".
Bredde:	38,1 cm ± 1 cm
Højde:	58,4 cm ± 1 cm
Dybde:	30,5 cm ± 1 cm
Vægt:	Perfecto ₂ AW Modeller - 20,5 kg ± 1 kg (45 lbs ± 2 lbs) Perfecto ₂ VAW Modeller - 18,1 kg ± 1 kg (40 lbs ± 2 lbs)
Forsendelsesvægt:	Perfecto ₂ AW Modeller - 22,7 kg ± 1 kg (50 lbs ± 2 lbs) Perfecto ₂ VAW Modeller - 20,4 kg ± 1 kg (45 lbs ± 2 lbs)
Temperatur i driftsrum:	10 °C - 35 °C med en relativ luftfugtighed på 20-60 %.
Kabinet:	Slagfast flammehæmmet plastik- kabinet, som er i overensstemmelse med UL 94-V0.
Intet AP/APG	Ikke egnet til brug i nærheden af brændbare anæstesiblandinger

Standarder og regulatorisk klassifikation:	IEC/EN60601-1, A1, A2 IEC/EN60601-1-2 IEC/EN61000-3-2 IEC/EN61000-3-3, ISO8359 MDD 93/42/EEC, Appendiks I og IX
CE-mærkede modeller:	IRC5PO2AW/IRC5PO2VAW
Elektrisk:	Ingen forlængerledninger.
Placering:	Ikke nærmere end 30,5 cm (12 in) fra vægge, møbler, malerier eller lignende overflader for at sikre tilstrækkeligt luftflow. Undgå tykke gulvtæpper, varmeapparater, radiatorer og varmeriste. Må kun placeres på gulvet. Må ikke bruges i trange rum (f.eks.: ingen skabe).
Slanger:	2,1 m kanyler med maksimalt 15,2 m (50 ft) Crush-Proof slange (MÅ IKKE klemmes).
Driftstid:	Op til 24 timer dagligt.
Anbefalede opbevaringsog forsendelsestemperaturer:	-29 °C til 65 °C ved en relativ luftfugtighed på 15-95 %.
Miljø:	Røg- og sodfrit. Ikke i lukkede rum (eksempel: Ikke i et skab).
Minimums-driftstid:	30 minutter

Sisällysluettelo

Tämä opas on annettava loppukäyttäjälle. Lue tämä opas ENNEN tuotteen käyttöä. Säilytä opas myöhempiä tarvetta varten.

I Yleistä	68
1.1 Symbolit	68
1.2 Käyttötarkoitus	70
1.3 Kuvaus	70
1.4 Vasta-aiheet	71
2 Turvallisuus	72
2.1 Kilpien sijainnit	72
2.2 Yleiset ohjeet	73
2.3 Radiotaajuushäiriö	76
3 Osat	77
3.1 Osien määrittäminen	77
4 Lisätarvikkeet	79
4.1 Valinnaiset lisävarusteet	79
5 Käyttöönotto	80
5.1 Pakkauksen purkaminen	80
5.2 Tarkistus	80
5.3 Varastointi	80
6 Käyttö	81
6.1 Johdanto	81
6.2 Sijainnin valitseminen	81
6.3 Ilmankostuttimen asennus	82
6.3.1 Rikastimen asennus	82
6.3.2 Rikastimen virran kytkeminen	84
6.3.3 Virtausnopeus	85

6.3.4 SensO ₂ hapen puhtauden ilmaisimet	85
6.3.5 Konsentraattorin käynnistys	85
6.3.6 Hapen puhtauden ilmaisinvalojen selitykset	86
6.3.7 Kuluneen ajan mittari (tuntimittari)	86

7 Huolto	87
7.1 Kotelon puhdistaminen	87
7.2 Kotelosuodattimen puhdistaminen	88
7.3 Kostuttimen puhdistaminen ja lämpödesinfointi	89
7.4 Puhdistaminen ja desinfointi potilaiden välillä	89
7.5 Ennaltaehkäisevän huollon tarkistuslista	90
8 Käytön jälkeen	91
8.1 Tietoa kierrätyksestä	91
8.2 kuluminen	91
9 Häiriöiden korjaaminen	92
9.1 Häiriöiden korjaaminen	92
10 Tekniset tiedot	95
10.1 Tyypilliset tuoteparametrit	95

I Yleistä

I.1 Symbolit

Tässä oppaassa käytetään merkkisanoja, jotka viittaavat vaaroihin tai mahdollisesti henkilö- tai omaisuusvahinkoja aiheuttaviin turvattomiin käytäntöihin. Katso seuraavasta taulukosta lisätietoja merkkisanojen määrittelmistä.



VAARA!

– Vaara osoittaa välittömästi vaarallista tilannetta. Jos sitä ei vältetä, se aiheuttaa kuoleman tai vakavan vamman.



VAROITUS!

– Varoitus osoittaa mahdollisesti vaarallista tilannetta. Jos sitä ei vältetä, se saattaa aiheuttaa kuoleman tai vakavan vamman.



HUOMIO!

– Huomautus osoittaa mahdollisesti vaarallista tilannetta. Jos sitä ei vältetä, se saattaa aiheuttaa omaisuusvahingon tai vähäisemmän vamman tai kummatkin.



Antaa hyödyllisiä vinkkejä, suosituksia ja tietoa tehokkaasta ja ongelmattomasta käytöstä.

Dokumenttaation symbolit



Lue käsikirja



Tupakointi kielletty



Suojaa avotulelta



Kaksoiseristetty, luokka II



Vaihtovirta



Tyyppin BF laite



Kierrätettävä



ÄLÄ hävitä tavallisen kotitalousjätteen mukana.



Sähkövaara



Pidä kuivana



EC-edustaja



Valmistaja



Ota yhteys laitetoimittajaan



Tämä tuote täyttää lääkintälaitteita koskevan direktiivin 93/42/ETY vaatimukset.

The launch date of this product is stated in the CE declaration of conformity.

Lisätietoja CE-merkinnöistä saat kohdasta Tyypilliset tuoteparametrit.

Tuotesymbolit





Laite käynnissä



Laite ei käynnissä

O₂-ilmaisimet

Symboli	O ₂ -puhtaus	Ilmaisinvot (LED)
O ₂	JÄRJESTELMÄ KUNNOSSA O ₂ yli 85 %	VIHREÄ ilmaisinvot
	O ₂ välillä 73 % - 85 %	KELTAINEN ilmaisinvot A. KELTAINEN valo palaa B. KELTAINEN valo vilkkuu Virhe Ota yhteyttä valtuutettuun teknikkoon.
	JÄRJESTELMÄVIRHE O ₂ alle 73 %	PUNAINEN ilmaisinvot PUNAINEN ilmaisinvot Jatkuva äänimerkkihälytys Sieve-GARD™ -kompressori Sammutus

1.2 Käyttötarkoitus

Happirikastin on tarkoitettu sellaisten potilaiden yksilölliseen käyttöön, joilla on lisähapetta edellyttäviä hengityssairauksia. Laitetta ei ole tarkoitettu ylläpitämään henkeä tai hoitoelvytykseen.



VAARA!

VAMMAN TAI KUOLEMAN VAARA

Tämä tuote on tarkoitettu käytettäväksi happilisanä eikä sitä ole tarkoitettu elintoimintojen tukemiseen tai säilyttämiseen. Käytä tätä tuotetta VAIN, jos potilas pystyy hengittämään itse ja kykenee hengittämään sisään ja ulos ilman koneen käyttämistä.

- ÄLÄ käytä rinnakkain tai peräkkäin muiden happirikastimien tai happihoitolaitteiden kanssa.



VAARA!

VAMMAN TAI KUOLEMAN VAARA

Potilailla, joilla virtausnopeus on suurempi kuin 5 l/m, saattaa terveydentilansa mukaan olla kohonnut vakavien vammojen tai kuoleman riski laitevirian sattuessa.

- ENNEN tämän tuotteen käyttöä keskustele terveydenhuollon palveluntarjoajasi kanssa tästä kohonneesta riskistä, jos sinulle määrätään virtausnopeus, joka on suurempi kuin 5 l/m.



VAARA!

VAMMAN TAI KUOLEMAN VAARA

Vaikka Invacare pyrkii tuottamaan markkinoiden tämän hetken parhaan happirikastimen, laitteen hapentuotto saattaa silti epäonnistua sähkökatkoksen tai laitevirian takia.

- Pidä AINA varmuuden vuoksi saatavilla toista O₂-lähdettä.
- Jos rikastin ei onnistu tuottamaan happea, se antaa lyhyen varoituksen potilaalle. Silloin potilaan on vaihdettava toiseen O₂-lähteeseen. Katso lisätietoja kohdasta Vianmääritys.



VAROITUS!

VAMMAN TAI VAURION VAARA

Tämän tuotteen käyttöä käyttötarkoituksen ja tuoteparametrien ulkopuolella ei ole testattu, ja se voi johtaa tuotevaurioon, tuotteen toimintojen häviämiseen tai henkilövammaan.

- ÄLÄ käytä tätä tuotetta muuhun kuin tämän oppaan tuoteparametreja ja käyttötarkoitusta koskevissa osissa kuvattuihin käyttötarkoituksiin.

1.3 Kuvaus

Kannettavaa Invacare Perfecto₂ -happirikastinta käytetään potilaille, jotka tarvitsevat hengitysvaikeuksien vuoksi lisähapetta. Laitetta ei ole tarkoitettu elintoimintojen ylläpitämiseen tai tukemiseen.

Ulos tulevan kaasun happipitoisuus vaihtelee 87 prosentista 95,6 prosenttiin. Happi toimitetaan potilaaseen nenäkanyylin kautta.

Kannettava Invacare Perfecto₂ -happirikastin tuottaa happikaasua molekyyliuleulan ja painevaihteluiden adsorptiomenetelmän (PSA-menetelmän) avulla. Laite ottaa ilmaa sisään, suodattaa ja

paineistaa sen. Tämä paineilma kulkee seuraavaksi kohti kahta tyypeä sitovaa seulatyynyä.

Rikastettu happi kulkee aktiivisen seulatyynyn läpi happisäiliöön, josta se annetaan potilaalle.

Potilas pystyy käyttämään kannettavaa Invacare Perfecto₂-rikastinta kotona tai laitoksessa. Laite toimii 230 VAC / 50 Hz -nimellisvirtalähteellä.



Molempien rikastinmallien (IRC5PO2AW ja IRC5PO2VAW) toimintaparametrit ovat samat, lukuun ottamatta tuotteen painoa ja virrankulutusta. Katso kohta Tyypilliset tuoteparametrit.

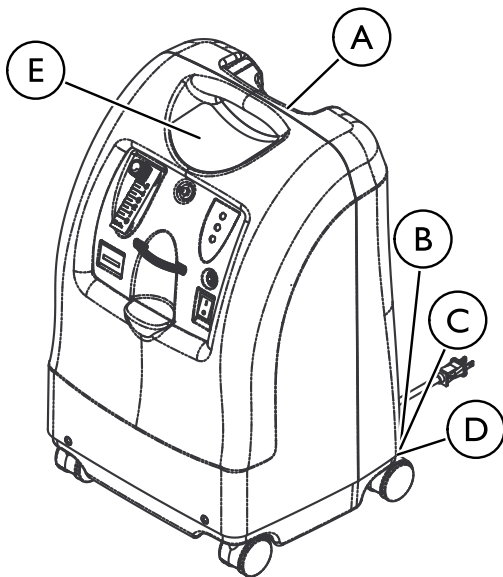
Huoltotiedot saa vain asiantuntevan teknisen henkilöstön käyttöön pyydettyä.

1.4 Vasta-aiheet

Invacaren tiedossa ei ole vasta-aiheita Invacare Perfecto₂-konsentraattorisarjalle.

2 Turvallisuus

2.1 Kilpien sijainnit



A	Sarjanumerokilpi sijaitsee resonaattorin sisäänhengityskokoonpanossa.
B	Määrityskilpi sijaitsee laitteen takapuolen alaosassa.
C	EU:n edustajan kyltti on laitteen alaosassa.

D	<p>Ftalaattikyltti on laitteen alaosassa.</p> <div style="border: 1px solid black; border-radius: 15px; padding: 10px; margin: 10px;"> <p style="text-align: center;">Perfecto₂™</p> <p style="text-align: center;">KATSO TURVALLISUUSOHJEITA SEKÄ LISÄTIETOJA HÄLYTYKSISTÄ, ÄÄNIMERKEISTÄ JA LISÄVARUSTEIDEN KÄYTTÄMISESTÄ KÄYTTÖOP-PAASTA TAI OTA YHTEYTTÄ KOTILAITTEIDESI TOIMITTAJAAN.</p> <hr/> <p>⚠ VAARA ☒ ☒ PALOVAARA – TUPAKOINTI KIELLETTY, AVOTULTA JA SYTTYMISLÄHTEITÄ VÄLTETTÄVÄ</p> <p>Piidi KAIKKI syttymislähteet pois tilasta, jossa tämä tuote on, ja poissa tiloista, joihin syötetään happea. Tekstiilit, öljy ja muut palavat materiaalit syttyvät helposti ja palavat voimakkaasti happrikastetussa ilmassa.</p> <p>⚠ VAARA ☒ SÄHKÖISKUN VAARA ☔</p> <p>Suojasta EI SAA irrottaa. Jätä huoltaminen valtuutetuille ammattihenkilöille.</p> <p style="text-align: center;">HomeFill® II yhteensopiva</p> </div>
E	<div style="border: 1px solid black; border-radius: 15px; padding: 10px; margin: 10px;"> <p style="text-align: center;">Perfecto₂™ V</p> <p style="text-align: center;">KATSO TURVALLISUUSOHJEITA SEKÄ LISÄTIETOJA HÄLYTYKSISTÄ, ÄÄNIMERKEISTÄ JA LISÄVARUSTEIDEN KÄYTTÄMISESTÄ KÄYTTÖOP-PAASTA TAI OTA YHTEYTTÄ KOTILAITTEIDESI TOIMITTAJAAN.</p> <hr/> <p>⚠ VAARA ☒ ☒ PALOVAARA – TUPAKOINTI KIELLETTY, AVOTULTA JA SYTTYMISLÄHTEITÄ VÄLTETTÄVÄ</p> <p>Piidi KAIKKI syttymislähteet pois tilasta, jossa tämä tuote on, ja poissa tiloista, joihin syötetään happea. Tekstiilit, öljy ja muut palavat materiaalit syttyvät helposti ja palavat voimakkaasti happrikastetussa ilmassa.</p> <p>⚠ VAARA ☒ SÄHKÖISKUN VAARA ☔</p> <p>Suojasta EI SAA irrottaa. Jätä huoltaminen valtuutetuille ammattihenkilöille.</p> <p style="text-align: center;">HomeFill® II yhteensopiva</p> </div>

2.2 Yleiset ohjeet

Näitä ohjeita ON NOUDATETTAVA Platinium-rikastimen turvallisen asentamisen, kokoamisen ja toiminnan varmistamiseksi.



VAARA!

Kuoleman, vakavan vamman tai vaurioitumisen vaara

Tämän tuotteen vääränlainen kokoaminen saattaa aiheuttaa kuoleman, vamman tai vahingon. Tässä osassa on tärkeitä tietoja tämän tuotteen turvallisesta toiminnasta ja käytöstä.

- ÄLÄ käytä tätä tuotetta tai siihen saatavilla olevia lisävarusteita, ennen kuin olet lukenut kokonaan ja sisäistänyt nämä ohjeet ja mahdolliset lisäohjeet, kuten käyttöoppaat, huolto-oppaat ja ohjelehtiset, jotka on toimitettu tämän tuotteen tai lisävarusteen mukana.
- Jos et ymmärrä varoituksia, huomautuksia tai ohjeita, ota yhteyttä terveydenhuollon ammattilaiseen, jälleenmyyjään tai tekniseen henkilöstöön ennen laitteen käyttämistä.
- Tarkista KAIKKI ulkoiset osat ja pakkaus vahingoittumisen varalta. Jos havaitset vaurioita tai jos tuote ei toimi oikein, ota yhteyttä korjaajaan tai Invacareen.
- TÄSSÄ ASIAKIRJASSA OLEVAT TIEDOT VOIVAT MUUTTUA ILMAN ENNAKKOILMOITUSTA.



VAARA!

Tulipalosta johtuva kuoleman, vakavan vamman tai vaurioitumisen vaara

Tekstiilit, öljy- tai petroliaineet, rasvat, rasvaiset aineet ja muut palavat aineet syttyvät helposti ja palavat nopeasti hapettuneessa ilmassa ja ollessaan kosketuksissa paineistettuun happeen. Tulipalon, kuoleman, vakavan vamman tai vaurioitumisen välttämiseksi.

- ÄLÄ tupakoi, kun käytät tätä laitetta.
- ÄLÄ käytä AVOTULEN tai SYTTYMISLÄHTEIDEN lähellä.
- ÄLÄ käytä rikastimessa voiteluaineita ilman Invacaren suositusta.
- TUPAKOINTI KIELLETTY -merkkien on oltava kunnolla näkyvillä.
- Happilaitteen lähellä ei saa aiheuttaa kipinää. Tämä koskee myös kaiken kitkan aiheuttamasta staattisesta sähköstä johtuvia kipinöitä.
- Pidä kaikki tulitikut, palavat savukkeet ja muut syttymislähteet poissa huoneesta, jossa rikastin on, ja loitolla hapen toimituspaikasta.
- Älä pidä happiletkuja, -johtoa ja -rikastinta peitteiden, huopien, istuintyynyjen ja vaatteiden kaltaisten esineiden alla ja pidä ne loitolla kuumennetuista tai kuumista pinnoista, muun muassa tilanlämmittimistä, helloista ja vastaavista sähkölaitteista.



HUOMIO!

Yhdysvaltain liittovaltion lain mukaan tätä laitetta saa myydä vain kyseisen valtion viraston valtuuttama lääkäri tai hänen määräyksestään.

- VAIN luvan saanut lääkäri voi määrätä tämän laitteen hankkimisesta tai käytöstä.



VAARA!

Sähköiskusta johtuvan kuoleman ja vamman vaara

Henkilöille aiheutuvien palovammojen, sähköiskujen, kuoleman tai vamman välttäminen:

- ÄLÄ pura. Ota huoltoa varten yhteyttä pätevään huoltohenkilöstöön. Ei käyttäjän huollettavissa olevia osia.
- Älä käytä kylpemisen aikana. Jos lääkärin määräys edellyttää jatkuvaa käyttöä, rikastin on sijoitettava toiseen huoneeseen vähintään 2,5 metrin (7 jalkaa) päähän kylvystä.
- ÄLÄ kosketa rikastinta märkinä.
- ÄLÄ sijoita tai säilytä rikastinta paikassa, josta se voi tippua veteen tai muuhun nesteeseen.
- ÄLÄ kurota kohti veteen tippunutta rikastinta. Irrota virtajohto VÄLITTÖMÄSTI.
- ÄLÄ käytä kuluneita tai vahingoittuneita vaihtovirtasovittimen johtoja.



VAROITUS!

Vamman tai vaurioitumisen vaara

- Invacare-tuotteet on suunniteltu ja valmistettu käytettäväksi erityisesti Invacare-lisävarusteiden kanssa. Invacare ei ole testannut muiden valmistajien lisävarusteita eikä niitä suositella käytettäväksi Invacare-tuotteiden kanssa.
- Tämän laitteen kanssa voi käyttää monenlaisia ilmankostuttimia, happiletkuja, kanyyleja ja maskeja. Ota yhteyttä omaan kotihoidon palveluntarjoajaasi, jotta saat suosituksia juuri sinulle sopivien laitteiden käyttöön. Sieltä saat myös neuvoja laitteen käytöstä, huollosta ja puhdistamisesta.



VAARA!

Vamman tai kuoleman vaara

Tukehtumisen tai kemikaalien nielemisen ilmateihin välttäminen:

- ÄLÄ käytä rikastinta saastuttavien aineiden, savun, höyryjen, syttyvien anestesia-aineiden, puhdistusaineiden tai kemiallisten höyryjen lähellä.



VAROITUS!

Vamman tai kuoleman vaara

Tuotteen väärinkäytöstä johtuvan vamman tai kuoleman estäminen:

- Seuraa tarkasti, kun rikastinta käyttää lapsi tai liikuntarajoitteinen henkilö tai sitä käytetään tällaisten henkilöiden lähellä.
- Valvo tätä laitetta käyttäviä potilaita, jotka eivät pysty kuulemaan tai näkemään hälytyksiä tai ilmoittamaan epämukavuudesta.

**VAROITUS!****Vamman tai kuoleman vaara**

Letkujen tarttumisesta johtuvan tukehtumisen ja/tai kuristumisen välttäminen:

- Pidä lapset ja lemmikit loitolla nenäkanyylista ja letkuista.
- Tiivis valvonta on välttämätöntä, jos nenäkanyyliä käyttävät lapset tai henkilöt, joiden fyysiset, aistinvaraiset tai henkiset kyvyt ovat heikentyneet tai joilla ei ole kokemusta ja tietoa laitteen käyttämisestä, tai sitä käytetään lähellä kyseisiä henkilöitä.

**VAROITUS!****Vamman tai vaurion vaara**

Johdon virheellisestä käytöstä johtuvan vamman tai vaurion ehkäiseminen:

- ÄLÄ siirrä tai muuta rikastimen paikkaa johdosta vetämällä.
- ÄLÄ käytä jatkojohtoja, joissa on vaihtovirtasovittimet.
- Säilytä ja sijoita sähköjohdot ja/tai letkut asianmukaisesti kaatumisvaaran estämiseksi.

**VAROITUS!****Vamman tai kuoleman vaa**

Sairaudesta johtuvan vamman tai kuoleman vaaran vähentäminen:

- Vaihda nenäkanyyli säännöllisesti. Pyydä laitetoimittajaasi tai lääkäriäsi määrittämään, miten usein kanyyli on vaihdettava.
- ÄLÄ käytä samoja kanyyleja eri potilaille.

**VAROITUS!****Vamman tai vaurion vaara**

Virheellisestä käytöstä johtuvan vamman tai vaurion estäminen:

- ÄLÄ jätä rikastinta valvomatta, kun siihen on kytketty virta.
- Varmista, että rikastimessa ei ole virtaa, kun sitä ei käytetä.
- Laitetta ON KÄYTETTÄVÄ ulkona vain sisä- ja lisäakulla.

**VAROITUS!****Loukkaantumiswaara**

Korkeuden muutokset saattavat vaikuttaa käytettävissä olevaan kokonaishappeen. Hapenpuutteen estäminen:

- Ota yhteyttä lääkäriin ennen matkustamista korkeammalle tai matalammalle, jotta voidaan määrittää, pitääkö virtausasetuksia muuttaa.



VAROITUS!

Vamman tai vaurion vaara

Invacaren happirikastimet on erityisesti suunniteltu sellaiseksi, että rutiinihuoltoa tarvitaan mahdollisimman vähän. Vamman tai vaurion estäminen:

- Ainoastaan terveydenhuoltoalan ammattihenkilöt tai tähän prosessiin täysin perehtyneet henkilöt, kuten tehtaan kouluttamat henkilöt, saavat suorittaa happirikastimen ennaltaehkäisevän huollon tai tehosaätöjä, lukuun ottamatta tässä oppaassa kuvattuja tehtäviä.
- Käyttäjien on otettava huollon osalta yhteyttä jälleenmyyjään tai Invacareen.



HUOMIO!

Vaurioitumisen vaara

Nesteen sisäänpääsemisestä johtuvan vaurion estäminen:

- Jos rikastin ei toimi kunnolla, se on tippunut tai vahingoittunut tai tippunut veteen, pyydä laitetoimittajaa tai pätevää huoltohenkilöä tutkimaan ja korjaamaan se.
- ÄLÄ pudota esineitä tai nestettä mihinkään aukkoon.
- Invacare suosittelee, että rikastinta ei käytetä sateessa.

2.3 Radiotaajuushäiriö



VAROITUS!

Vamman tai vaurion vaara

Vähennä langattomien laitteiden häiriöistä johtuvien vammojen tai tuotevaurioiden vaaraa seuraavalla tavalla:

- Pidä rikastin vähintään 3,0 metrin (9,8 jalan) etäisyydellä langattomista viestintälaitteista, kuten langattomista kotiverkon laitteista, matkapuhelimista, langattomista puhelimista ja tukiasemista ja radiopuhelimista.

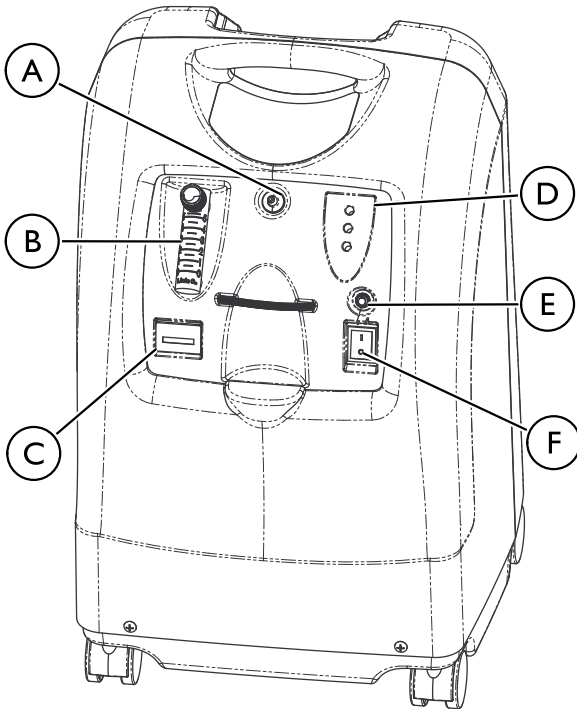
Nämä laitteet on testattu ja niiden on havaittu noudattavan standardissa IEC/EN 60601-1-2 määritettyjä sähkömagneettisen yhteensopivuuden rajoja. Rajat on määritetty tarjoamaan kohtuullinen suoja sähkömagneettiselta häiriöltä tyypillisessä sairaanhoitoympäristössä.

Muissa laitteissa saattaa ilmetä häiriötä jopa edellä mainitussa standardissa sallittujen sähkömagneettisten päästöjen matalilla tasoilla. Selvitä, aiheuttaako rikastin häiriötä, katkaisemalla rikastimen virta. Jos toiseen laitteeseen (toisiin laitteisiin) kohdistuva häiriö loppuu, rikastin aiheuttaa häiriön. Tällaisissa harvinaisissa tapauksissa häiriötä voi vähentää tai korjata jollakin seuraavista toimenpiteistä:

- Laitteiden asettelu uudelleen, uudelleensijoittaminen tai laitteiden välisen etäisyyden lisääminen.
- Liitä laite toisen virtapiiriin pistorasiaan kuin mihin muut laitteet on liitetty.

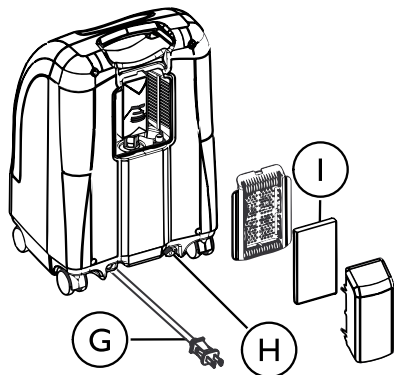
3 Osat

3.1 Osien määrittäminen



(A)	Happilähtö
(B)	Virtausmittari
(C)	Kuluneen ajan mittari
(D)	Hapen puhtauden ja vikailmaisinvälöt /vika- ja virtailmaisinvälöt
(E)	Varokekatkaisija
(F)	Virtakytkin

Näkymä takaa



Ⓒ	Virtajohto
Ⓗ	HomeFill-ulostulon sovitus
Ⓘ	Kotelosuodatin

i HomeFill-ulostulon sovitus I on tarkoitettu käytettäväksi vain happisäiliöiden täyttämiseen kotona käytettävän HomeFill-happikompressorin kanssa. Ulostulon sovitus ei vaikuta rikastimen toimintaan. Katso liittämisen- ja käyttöohjeet HomeFill-käyttöoppaasta. Silloin kun rikastimen mukana tullut tulppa ei ole käytössä, se on sijoitettava ulostulon sovitukseen. Saat lisätietoja HomeFillistä ottamalla yhteyttä Invacareen.

4 Lisätarvikkeet

4.1 Valinnaiset lisävarusteet

Tämän laitteen kanssa voi käyttää monenlaisia ilmankostuttimia, happiletkuja, kanyyleja ja maskeja. Ota yhteyttä omaan kotihoidon palveluntarjoajaasi, jotta saat suosituksia juuri sinulle sopivien laitteiden käyttöön. Sieltä saat myös neuvoja laitteen käytöstä, huollosta ja puhdistamisesta.

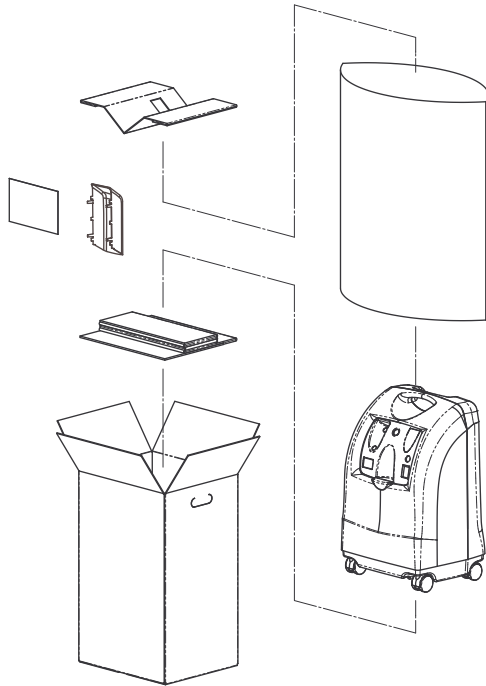
Lisävarusteiden (nenäkanyyli, maski, letkut, ilmankosteutin yms.), joita käytetään kuljettamaan happea potilaalle, on oltava sellaisia, että ne vähentävät tulen leviämistä laitteen osasta toiseen. Näin varmistetaan sekä potilaan että muiden ihmisten turvallisuus. Jos lisävarusteena käytetään myös yleisesti saatavilla olevaa, tulesta aktivoituvaa virtauskatkaisinta, sen tulisi sijaita laitteistossa mahdollisimman lähellä potilasta.

Myös seuraavat valinnaiset lisävarusteet ja varaosat ovat saatavilla (luettelo alla):


- tavallinen aikuisen nenäkanyyli, 2,1 m (7 jalkaa) - M3120
- vakiokostutin - Invacare-osanumero 1155719
- lisäosana pediatriinen PreciseRX™ -kostutin/virtausmittari - IRCPF16AW
- kotona käytettävä HomeFill-happikompressorin - IOH200AW
- kostutinpullon pidike - M1521
- hapen syöttöletku 2,1 m (7 jalkaa) - MS4107
- hapen syöttöletku 6,3 m (21 jalkaa) - MS4121
- happiletkun liitin - MS4301

5 Käyttöönotto

5.1 Pakkauksen purkaminen



1. Tarkista pakkaus ja sen sisältö näkyvien vaurioiden varalta. Jos vaurio on selkeä, ilmoita siitä kuljetusliikkeelle tai paikalliselle jälleenmyyjällesi.
2. Poista kaikki irtonaiset pakkausmateriaalit pakkauksesta.
3. Poista kaikki laitteen osat varovaisesti pakkauksesta.

 Ellei happirikastinta käytetä **VÄLITTÖMÄSTI**, säilytä rikastin pakkauksessaan, kunnes rikastinta on käytettävä.

5.2 Tarkistus

1. Tarkista/tutki konsentraattorin ulkopuolelta lommot, murtumat, naarmut ja muut vauriot.
2. Tarkista kaikki osat.

5.3 Varastointi

1. Varastoi uudelleenpakattu happikonsentraattori kuivaan paikkaan. Säilytyslämpötilaparametrit ovat kohdassa Tyypilliset tuoteparametrit.
2. **ÄLÄ** aseta muita esineitä uudelleenpakatun konsentraattorin päälle.

6 Käyttö

6.1 Johdanto

Happirikastin on tarkoitettu henkilökohtaiseen käyttöön sisätiloissa. Se on sähkökäyttöinen laite, joka erottaa hapen huoneilmasta. Laite johtaa käyttäjälle suuren happipitoisuuden omaavaa ilmaa nenäkanyylilla. Kliiniset tutkimukset ovat osoittaneet, että happikonsentraattorit vastaavat hoitokäytössä muita hapenantojärjestelmiä.

Laitetoimittaja opastaa sinua happikonsentraattorin käytössä. Ota yhteyttä laitetoimittajaan, jos sinulla on kysyttävää tai ongelmia happikonsentraattorin suhteen. Tämä käyttöohje antaa sinulle tietoja konsentraattorista ja voit käyttää sitä viitemateriaalina konsentraattorin käytössä.

6.2 Sijainnin valitseminen



VAROITUS!

Vamman tai vaurion vaara

Ilmassa liikkuvista saastuttavista aineista ja/tai savusta johtuvan vamman tai vaurion välttäminen ja optimaalisen suorituskyvyn takaaminen:

- Sijoita rikastin hyvin tuuletettuun paikkaan siten, että ilmanotolle ja ilmanpoistolle ei ole esteitä.
- Rikastimen ilma-aukkoja EI saa tukkia eikä tuotetta saa asettaa pehmeälle pinnalle, kuten vuoteelle tai sohvalle, jossa ilma-aukot saattavat tukkeutua.
- Pidä aukot puhtaina nöyhdästä, karvoista ja vastaavista.
- Pidä rikastin vähintään 30,5 cm:n (12 tuuman) päässä seinistä, kankaista ja huonekaluista.
- ÄLÄ käytä rikastinta saastuttavien aineiden, savun, höyryjen, syttyvien anestesia-aineiden, puhdistusaineiden tai kemiallisten höyryjen lähellä.
- Sijoita rikastin hyvin tuuletetulle alueelle ilmassa liikkuvien saastuttavien aineiden ja/tai savujen välttämiseksi.
- EI SAA käyttää kaapissa.



VAROITUS!

Loukkaantumisvaara

Vammojen välttäminen hoidon aikana:

- Happirikastin ON asetettava käyttöä varten tasaiselle pinnalle.
- ÄLÄ siirrä happirikastinta käytön aikana.

Voit valita huoneen, jossa happikonsentraattorin käyttö on kätevinä. Konsentraattori voidaan helposti siirtää huoneesta toiseen sen pyörien avulla.

Happirikastin toimii tehokkaimmin, kun sitä käytetään olosuhteissa, jotka on määritetty alla olevassa taulukossa.

Laitteen käyttö muissa kuin kuvailuissa olosuhteissa voi lisätä laitteen huoltotarvetta. Laitteen ilmanottoaukon tulee olla hyvän ilmanvaihdon omaavalla alueella, jotta vältetään ilmaaasteilta ja/tai savuilta ja käryiltä.

6.3 Ilmankostuttimen asennus

1. Kytke virtajohto sähköpistorasiaan.
2. Kostuttimen kytkeminen (jos määrätty)

6.3.1 Rikastimen asennus



VAROITUS!

Vamman tai vaurion vaara

Höyryn tai kuuman veden aiheuttamien palovammojen, veden sisäänhengittämisen ja/tai rikastimen vesivahingon välttämiseksi

- ÄLÄ täytä kostutinpulloa kuumalla vedellä Anna keitetyn veden jäähtyä huoneenlämpötilaan ennen täyttöä.
- ÄLÄ ylitäytä kostutinta.
- Kiinnitä kostuttimen suojuks tiukasti. Varmista, että suojuksen ja kostutinpullon kierteet osuvat kohdalleen.
- ÄLÄ vaihda hapen sisääntulon ja ulostulon paikkaa keskenään. Kostutinpullon vesi kulkee kanyylin kautta takaisin potilaille, jos sisääntulon ja ulostulon paikat on vaihdettu.
- Käytettäessä liitântäletkuja, joiden pituus on yli 2,1 m (7 jalkaa), varmista paras teho asettamalla kostutin mahdollisimman lähelle potilasta.

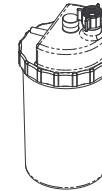


VAROITUS!

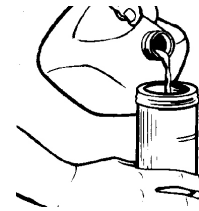
Vamman tai vaurion vaara

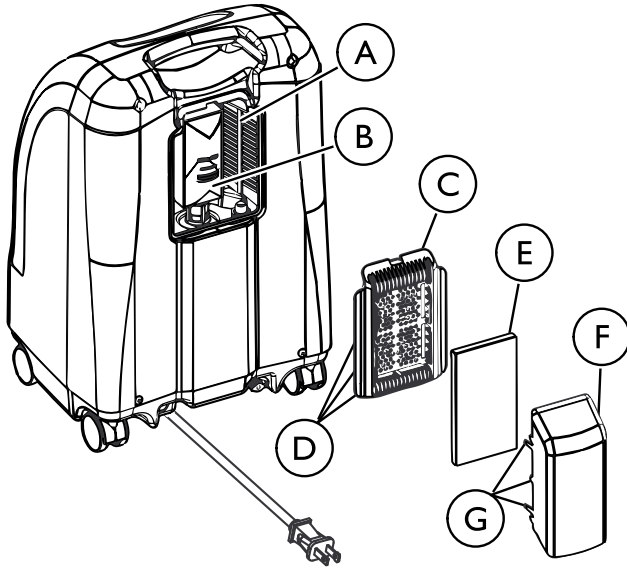
- Jos kostutinpullo tai muut lisävarusteet on asennettu rikastimeen väärin, hapenkulku hankaloituu.
- Tarkista happirikastimen ja lisävarusteiden toimivuus upottamalla nenäkanyylin pää puolillaan olevaan vesilasiin ja tarkkaile tuleeko kanyylista kuplia.
 - Jos kuplia ei muodostu, tarkista kaikki liitännät (mukaan lukien kostutinpullo ja muut lisävarusteet, jos käytössä) ja kokeile uudelleen. Ota välittömästi yhteys myyjään tai palveluntarjoajaan, jos kuplia ei vielä näy.

Ilmankostutin Pullo Cap



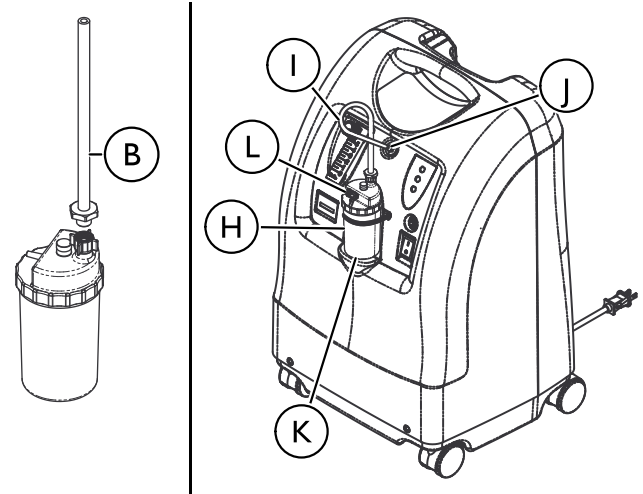
Ilmankostutin Bottle ilman Cap





1. Irrota pullon suojus.
2. Täytä kostutinpullo keitetyllä hanavedellä tai pullovedellä valmistajan ilmoittamaan tasoon asti. Keitä hanavettä noin 10 minuuttia ja jäähdytä se huoneenlämpötilaan ennen käyttöä.
3. Aseta talttapäinen ruuvimeisseli levyraan A suodatinluukun yläreunassa ja irrota suodatinluukku varovaisesti.
4. Nouse ylös ja irrota ilmentostuttimen pullon sovitin B.


5. Korvaa suodattimen luukku C ja asenna ilmanotto-laite F suodattimen luukkuun laittamalla kuusi nastaa G ilmanotto-laitteen kuuteen aukkoon D suodattimen luukun sivuilla.



6. Kytke sovitin kostuttimeen H kääntämällä kostutinpullon siipimutteria vastapäivään, kunnes se on tiukasti kiinni.

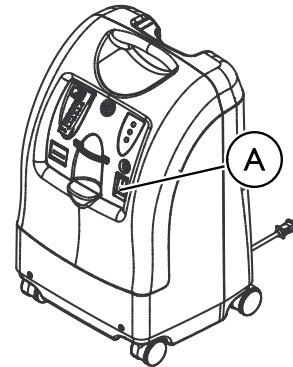
7. Valitse kostutinpullo-/sovitinkokoonpanon sijainti:

- Kun kostutinpulloa asetetaan rikastimen lokeroon, liitä kostutinpullon/-sovitin letku ① rikastimen hapen ulostuloliittimeen ①.
- Sijoita kostutinpullo potilaan läheisyyteen asettamalla kostutinpullo/-sovitinkokoonpano kostutinpullon pidikkeeseen ② (M1521, katso Valinnaiset lisävarusteet) ja aseta se tasaiselle pinnalle mahdollisimman lähelle potilasta. Liitä happiletkun liitin (MS4301, katso Valinnaiset lisävarusteet) kostutinpullon/-sovitin putken päähän. Liitä hapen syöttöletkun toinen pää (MS4107 tai MS4121, katso Valinnaiset lisävarusteet) happiletkun liittimen vapaaseen päähän ja vastakkainen pää rikastimen hapen ulostuloliittimeen.


 Käytettäessä liitäntäletkuja, joiden pituus on yli 2,1 m (7 jalkaa), varmista paras teho asettamalla kostutin mahdollisimman lähelle potilasta.

8. Liitä potilaan nenäkanyylin syöttöletku kostutinpullon ulostuloon ①.
9. Varmista kokoamisen jälkeen, että kanyylin läpi virtaa happea.

6.3.2 Rikastimen virran kytkeminen



1. Paina virtakytkin ③ On-asentoon.

 Paneelin kaikki valot syttyvät hetkeksi ja kuulet äänimerkin, joka kertoo laitteen toimivan asianmukaisesti.

6.3.3 Virtausnopeus

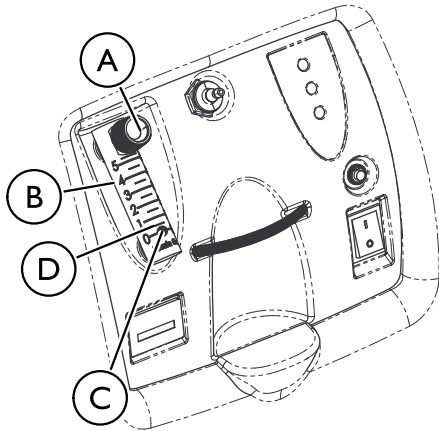


VAROITUS!

Loukkaantumisvaara

Jotta vältät vammat, jotka johtuvat liiasta tai liian vähäisestä hapestä

– ÄLÄ muuta virtausmittarin l/min-asetusta ilman lääkärin määräystä.



Älä aseta virtausta PUNAISEN renkaan yli. Happivirtaus, joka on enemmän kuin 5 l/min, vähentää happipitoisuutta.

1. Käännä virtausnopeuden **A** nuppi lääkärin määräämään asetukseen.



Virtausmittarin **B** oikea lukeminen vaatii määrätyn virtausnopeuden paikallistamista virtausmittarissa. Käännä sitten virtausnuppia kunnes pallo **C** nousee kyseiselle tasolle. Keskistä sitten pallo määrätylle l/min-viivalle.

2. Jos virtausmittarin virtausnopeus putoaa alle 0,5 l/aan/min **D** yli yhden minuutin ajaksi, se käynnistää hälytyksen mahdollisesta tukoksesta. Tämä ilmenee äänimerkin nopeana toistumisena. Tarkista letkut ja lisävarusteet tukkeutuneen tai taittuneen letkun ja viallisen kostutinpullon varalta. Kun nimellinen virtaus on palautunut välille 0,5–0,75 l/min, hälytys mahdollisesta tukoksesta sammuu.



Joidenkin lisävarusteiden käyttö, kuten lasten PreciseRx™ -virtausmittarin tai HomeFill-kompressorin käyttö, poistaa mahdollinen tukos -hälytyksen käytöstä.

6.3.4 SensO₂ hapen puhtauden ilmaisimet

Tämä toiminto valvoo happikonsentraattorin toimittaman hapen puhtautta. Jos puhtaus laskee tehdasmääritetyn tason alle, ohjauspaneelin ilmaisinvälöt syttyvät.

6.3.5 Konsentraattorin käynnistyksen

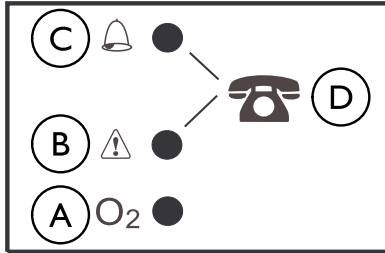


Konsentraattoria voidaan käyttää käynnistyksen lämpiämisaajan aikana (noin 30 minuuttia) odottaessa, että O₂-puhtaus saavuttaa enimmäisarvon.

Kun laite käynnistetään, VIHREÄ valo syttyy (JÄRJESTELMÄ OK/O₂-pitoisuus yli 85 %). Viiden minuutin kuluttua happianturi

toimii normaalisti ja ohjaa ilmaisinvaloja laitteen happipitoisuusarvojen mukaisesti.

6.3.6 Hapen puhtauden ilmaisinvalojen selitykset



	Valo	Symboli	Selitys
Ⓐ	VIHREÄ valo	(O ₂)	Normaali toiminta
Ⓑ	KELTAINEN valo		Ota heti yhteys myyjään. Voit jatkaa rikastimen käyttöä, ellei myyjä erikseen sitä kiellä. Varmista, että vaihtoehtoinen happilähde on helposti saatavilla.
Ⓒ	PUNAINEN valo		Laitteen täydellinen sammuminen. Vaihda heti vaihtoehtoiseen happilähteeseen ja ota yhteys myyjään.
ⒶⒷ	VIHREÄ valo ja vilkkuva KELTAINEN valo.	(O ₂) and	Ota heti yhteys myyjään. Happisensorissa on toimintavika; voit jatkaa rikastimen käyttöä.
Ⓓ	—		Ota yhteys myyjään.

6.3.7 Kuluneen ajan mittari (tuntimittari)

Tuntimittari kertoo laitteen käyttötuntien kumulatiivisen lukumäärän. Katso Osat varten tiettyyn paikkaan.

7 Huolto

7.1 Kotelon puhdistaminen



VAARA!

Vamman tai vaurion vaara

Invacaren happirikastimet on erityisesti suunniteltu sellaiseksi, että rutiinihuoltoa tarvitaan mahdollisimman vähän. Vamman tai vaurion estäminen:

- Vain asiantunteva henkilöstö saa tehdä happirikastimelle ennaltaehkäiseviä huoltotöitä.
- Koteloa EI SAA irrottaa.



VAARA!

Vamman tai vaurion vaara

Neste vahingoittaa rikastimen sisäosia. Sähköiskusta johtuvan vamman tai vaurion välttäminen:

- Katkaise rikastimen virta ja irrota virtajohto ennen puhdistamista.
- ÄLÄ anna puhdistusaineen valua ilma sisääntulo- ja ulostuloaukkoihin.
- ÄLÄ suihkuta tai levitä puhdistusainetta suoraan koteloon.
- ÄLÄ kastele tuotetta letkulla.



HUOMIO!

Vaurioitumisriski

Voimakkaat kemikaalit voivat vahingoittaa rikastinta. Vahingoittumisen välttäminen:

- ÄLÄ puhdista koteloa, kantokassia tai suodatinta alkoholilla tai alkoholipohjaisilla tuotteilla (isopropyylialkoholi), tiivistetyillä klooripohjaisilla tuotteilla (etyleenikloridi) tai öljypohjaisilla tuotteilla (Pine-Sol[®], Lestoil[®]) tai muilla voimakkailla kemikaaleilla. Käytä vain mietoa astianpesuainetta (esim. Dawn[™]).



Vähintäänkin, ennaltaehkäisevän huollon saa suorittaa mukaisesti huoltokirja ohjeita. Paikoissa, joissa suuri pölyä tai nokea tasoja, huolto ehkä suoritettava useammin.

Puhdista määrääjain rikastimen kotelo seuraavasti:

1. Puhdista ulkokotelo varovasti kostealla liinalla tai sienellä ja miedolla pesuaineella, kuten Dawn[™] -astianpesuaineella.
2. Anna rikastimen kuivua ilmassa tai käytä kuivaa pyyhettä, ennen kuin käytät rikastinta.

7.2 Kotelosuodattimen puhdistaminen



HUOMIO!

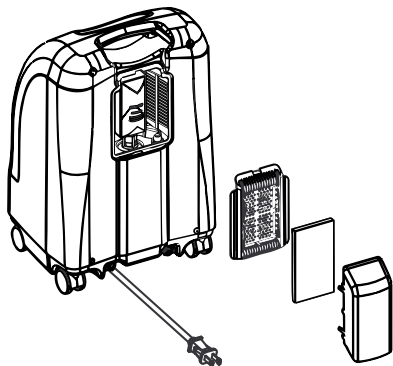
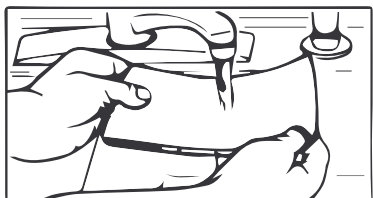
Vaurioitumisriski

Tukkeutumisesta johtuvan vaurion välttäminen:

- ÄLÄ käytä rikastinta, ellei ilmanotto-suodatinta ole asennettu.



Kotelon takana on yksi kotelosuodatin.




1. Poista suodatin ja puhdista se tarvittaessa




Käyttöympäristön olosuhteet voivat vaatia suodattimien puhdistamista useammin. Tällaisia olosuhteita ovat mm: huomattava pöly, tupakointi, ilmansaasteet, jne.

2. Puhdista kaappi suodatin pölynimurilla tai pese miedolla lautasen pesuaineella (kuten Dawn™) ja vettä. Huuhdella läpikotaisin.
3. Kuivaa suodatin perusteellisesti ja tarkista, onko siinä rispaantumista, murtumista, kulumista tai reikiä. Vaihda suodatin, jos se on vaurioitunut.
4. Asenna kotelosuodatin uudelleen.

7.3 Kostuttimen puhdistaminen ja lämpödesinfiointi

 Puhdista ja desinfioi happikostutin päivittäin, jotta kalkkijänteet poistuvat ja mahdolliset bakteerikontaminaatiot vältetään. Noudata valmistajan toimittamia ohjeita. Jos niitä ei ole, noudata näitä vaiheita:

1. Pese kostutin saippuavedellä ja huuhtele se liuoksella, jossa on kymmenen osaa vettä ja yksi osa etikkaa.
2. Huuhtele huolellisesti kuumalla vedellä.
3. Ilmakuivaa huolellisesti.

 Rajoita bakteerien kasvua ilmakeivämällä kostutin perusteellisesti puhdistuksen jälkeen, kun se ei ole käytössä. Katso lisätietoja käytöstä kohdasta Asennus.

7.4 Puhdistaminen ja desinfiointi potilaiden välillä




VAROITUS!

Vamman tai vaurion vaara

Infektiosta johtuvan vamman ja rikastimen vaurioitumisen ehkäiseminen:

- Vain valtuutettu henkilöstö saa puhdistaa ja desinfioida happirikastimen ja lisävarusteet, kun vaihdetaan potilasta.

 Noudata näitä ohjeita, jotta vältät mahdollisten patogeeneiden siirtymisen potilaasta toiseen osien tai lisävarusteiden kontaminoitumisen vuoksi. Tällöin on myös tarpeen vaatiessa tehtävä ennaltaehkäisevä huolto.

1. Hävitä ja vaihda kaikki potilaan puolen lisävarusteet, jotka eivät sovellu usean potilaan käyttöön, kuten
 - nenäkanyyli ja letkut
 - maski
 - kostutin
2. Noudata tässä käyttöoppaassa kuvattuja huoltomenettelyjä ja ennaltaehkäisevän huollon tarkistuslistaa.
3. Tarkista rikastin mahdollisten ulkoisten vaurioiden tai huoltoa tai korjausta edellyttävien merkkien varalta.
4. Varmista, että rikastin toimii oikein ja kaikki hälytykset ovat kunnossa.
5. Ennen pakkaamista uudelleen ja toimittamista uudelle potilaalle varmista, että pakkauksessa on rikastin, virtajohto, ilmanotin, kokoamisohjeet, kostutin, kanyyli, merkinnät ja käyttöopas.

7.5 Ennaltaehkäisevän huollon tarkistuslista

Mallin numero:

Sarjanumero:

JOKAISILLA TARKISTUSKERRALLA							
Kirjaa huoltopäivä							
Kirjaa tuntimittarin osoittamat tunnit							
Puhdista kotelo-suodatin tai -suodattimet							
Tarkista määrätty virtausnopeus, l/min							
PUHDISTUS- JA HUOLTOTOIMENPITEIDEN AIKANA TAI POTILAIEN VÄLILLÄ							
YKSIKÖT, JOISSA ON SensO₂ — JOKA 26280 TUNTIA							
Tarkista happipitoisuus*							
Kotelo-suodattimien puhdistus/vaihto							
Tarkista/vaihda aukon HEPA-suodatin*							
Tarkista/vaihda kompressorin sisääntulosuodatin*							
Tarkista virtakatkoksen hälytys							



26 820 tuntia vastaa ympärivuorokautista käyttöä joka päivä kolmen vuoden ajan.

*Palveluntarjoajan tai valtuutetun huoltoteknikon suoritettava. Katso huolto-oppaasta.

8 Käytön jälkeen

8.1 Tietoa kierrätyksestä

Tämän tuotteen toimittava ympäristön huomioon ottava valmistaja, joka noudattaa toiminnassaan sähkö- ja elektroniikkaromua koskevaa WEEE-direktiiviä 2012/19/EU. Tämä tuote saattaa sisältää aineita, jotka voivat vahingoittaa ympäristöä, jos ne hävitetään paikoissa (kaatopaikoilla), jotka eivät ole lainsäädännön mukaan asianmukaisia.

Noudata paikallishallinnon määräyksiä ja kierrätysohjeita rikastimen tai sen toiminnassa tavallisesti käytettävien osien hävittämisen osalta. Rikastin ei tuota käytettäessä jätettä tai jämiä.

- ÄLÄ hävitä rikastinta tavallisen kotitalousjätteen mukana.
- Kaikki lisävarusteet, jotka eivät ole osa rikastinta, ON KÄSITELTÄVÄ hävittämistä koskevan yksilöllisen tuotemerkinnän mukaan.
- ÄLÄ hävitä sisä- tai lisäakkuja. Akut on palautettava jälleenmyyjälle/palveluntarjoajalle.

Invacare® pyrkii jatkuvasti varmistamaan, että yrityksen ympäristövaikutus on sekä paikallisesti että maailmanlaajuisesti mahdollisimman pieni. Noudatamme nykyistä ympäristölainsäädäntöä (esim. WEEE- ja RoHS-direktiivit). Käytämme vain REACH-järjestelmän mukaisia materiaaleja ja osia.

8.2 kuluminen

Invacare pidättää oikeuden pyytää takaisin mikä tahansa tuote, jossa on väitetty olevan valmistusvirhe. Tarkemmat takuutiedot löydät tuotteen kanssa toimitetusta takuusta.

Tarkemmat tiedot ennaltaehkäisevän huollon aikataulusta ja tuotteen käytöstä löydät Käyttöoppaasta.

Tämä on vain yleinen ohje, joka ei sisällä väärinkäytöksistä johtuvia vahinkoja.

Tavalliset kulumiselle alttiit osat ja komponentit tässä tuotteessa on lueteltu seuraavassa.

- kaikki suodattimet
- kaikki letkut
- kaikki akut, mukaan lukien lyijy-/litium-, geeli- ja nappiakut (6 kuukautta).




Seula on huokoista suodatinmateriaalia ja lasketaan kuluvaksi osaksi. Tekijät, jotka voivat muun muassa vaikuttaa seulan materiaalin käyttöikään, ovat kosteus, lämpötila, hiukkaset, ilmansaasteet, ilman otto, värähtely ja muut ympäristötekijät.

9 Häiriöiden korjaaminen

9.1 Häiriöiden korjaaminen


OIRE	TODENNÄKÖINEN SYY	RATKAISU
<p>Hälytys:</p> <p>Lyhyet äänimerkit, pitkä väli</p> <p>Konsentraattori ei toimi, virtakytkin päällä-asennossa.</p> <p>Piip.....Piip.....</p>	<p>Päävirtakatko:</p> <ol style="list-style-type: none"> 1. Virtajohto EI OLE kytketty pistorasiaan. 2. Pistorasiaan ei tule virtaa. 3. Lauennut varokatkaisija. 	<ol style="list-style-type: none"> 1. Kytke pistoke pistorasiaan. 2. Tarkista talon varokatkaisijat ja sulakkeet. Jos ongelma jatkuu, kokeile toista pistorasiaa. 3. Paina katkaisinta / nollaa katkaisin. Jos ongelma toistuu, soita palveluntarjoajalle.
<p>Hälytys:</p> <p>Jatkuva</p> <p>Konsentraattori ei toimi, virtakytkin päällä-asennossa.</p> <p>Beeeeeeep....</p>	<p>Järjestelmävirhe:</p> <ol style="list-style-type: none"> 1. Laite kuumenee liikaa tukkeutuneen ilmanottoa ukon takia. 2. Pistorasiaan ei tule riittävästi virtaa. 3. Laite vaatii sisäosien korjausta. 	<ol style="list-style-type: none"> 1. <ol style="list-style-type: none"> a. Irrota ja puhdista kotelosuodattimet. b. Siirrä happikonsentraattori vähintään 30,5 cm:n päähän seinistä, verhoista ja huonekaluista. 2. ÄLÄ käytä jatkojohtoa. Vaihda toiseen sähköpistorasiaan tai piiriin. 3. Ota yhteyttä laitetoimittajaan.

OIRE	TODENNÄKÖINEN SYY	RATKAISU
<p>Hälytys: KELTAINEN tai PUNAINEN valo palaa. Hälytys: Jatkuvasti palava PUNAINEN valo * Koskee vain IRC5PO2AW & IRC5PO2VAW</p>	<p>Järjestelmävirhe:</p> <ol style="list-style-type: none"> 1. Alhainen hapen puhtaus.* 2. Mutkalla oleva tai tukkeutunut letku, kanyyli tai kostutin.* 3. Virtausmittarin asetus 0,5 l/min tai alle.* 4. Laite kuumenee liikaa tukkeutuneen ilmanottoa ukon takia. 5. Pistorasiaan ei tule riittävästi virtaa. 6. Laite vaatii sisäosien korjausta. 	<ol style="list-style-type: none"> 1. Puhdista tai vaihda suodattimet. 2. Tarkista mutkien tai tukkeutumien varalta. Korjaa, puhdista tai vaihda. Kun ongelma on ratkaistu, SAMMUTA virta 60 sekunnin ajaksi ja KÄYNNISTÄ laite sitten uudelleen. 3. Tarkista, että virtausmittari on asetettu vähintään 1,0 litraan/min. Katso kohta Tyypilliset tuoteparametrit. 4. <ol style="list-style-type: none"> a. Irrota ja puhdista kotelosuodattimet. b. Siirrä konsentraattori vähintään 30,5 cm:n päähän seinistä, verhoista ja huonekaluista. 5. ÄLÄ käytä jatkojohtoa. Vaihda toiseen sähköpistorasiaan tai piiriin. 6. Ota yhteyttä laitetoimittajaan.
<p>VIHREÄ valo ja vilkkuva KELTAINEN valo.</p>	<ol style="list-style-type: none"> 1. Laite vaatii sisäosien korjausta. 	<ol style="list-style-type: none"> 1. Ota yhteyttä laitetoimittajaan.

OIRE	TODENNÄKÖINEN SYY	RATKAISU
<p>Hälytys:</p> <p>NOPEA</p> <p>Piip....Piip...</p> <p>Piip...Piip</p>	<p>Hälytys mahdollisesta tukoksesta</p> <ol style="list-style-type: none"> 1. Mahdollinen sisäinen tukos happireitillä. Mutkalla oleva tai tukkeutunut letku, kanyyli tai kostutin. 2. Virtausmittarin asetus 0,5 l/min tai alle. 	<ol style="list-style-type: none"> 1. Tarkista mutkien tai tukkeutumien varalta. Korjaa, puhdista tai vaihda. Kun ongelma on ratkaistu, SAMMUTA virta 60 sekunnin ajaksi ja KÄYNNISTÄ laite sitten uudelleen. 2. Nollaa virtausmittari takaisin määrättyyn virtausnopeuteen. Alle 1 l/min virtausnopeuksia ei suositella. <p> Lasten virtausmittarin käyttö poistaa mahdollinen tukos -hälytyksen käytöstä.</p>

I0 Tekniset tiedot

I0.1 Tyypilliset tuoteparametrit

Sähkövaatimukset:	230 VAC + 10, -15% (253 VAC/195.5 VAC), 50 Hz
Nimellisvirtatulo:	1.5 A
Melutaso:	40 dBA max
Korkeus:	Korkeintaan 1828 metriä merenpinnan yläpuolella ilman pitoisuustason laskemista. EI SUOSITELLA KÄYTETTÄVÄKSI YLI 1828 metriä merenpinnan yläpuolella Ilmanpaine alue: 101.33 kPa — 81.22 kPa
Happilähtö Pitoisuustasot:	87% että 95.6% @ 0.5 että 5 l/min 93% ± 3% @ 2 l/min  Rikastustasot, jotka saavutetaan alkulämmitysjakson jälkeen (kesto noin 30 minuuttia)
Suurin lähtöpaine:	34.5 kPa ± 3.45 kPa (5 psi ± 0.5 psi)
Virtausnopeus:	0.5 - 5 l/min (maksimi) Suosittelemme käytettäväksi Invacaren lasten virtausmittaria IRCPF16AW virtausnopeuksille, jotka ovat alle 1 l/min
Hälytys mahdollisesta tukoksesta:	0 l/min että 0.5 l/min Happirikastin havaitsee tilan, joka voi olla merkki mahdollisesta tukoksesta happiletkussa. Nopea äänimerkki (tämä hälytys siirtyy pois käytöstä, kun lisävarusteet liitetään) voi liittyä virtausasetukseen 0,5 l/min tai pienempään.
Virrankulutus:	Perfecto ₂ AW - 300 W @ 5 l/min, 280 W @ 3 l/min Perfecto ₂ VAW - 320 W @ 5 l/min

Paineenalennusmekanismi toimii:	24 l kPa ± 24.1 kPa (35 psi ± 3.5 psi)
Muutos suurimmassa suositellussa virtauksessa 7k Pa vastapaineella: 0,7 l/min:	0.7 l/min
Suodattimet:	Kotelo, lähdön HEPA ja kompressoritulo.
Turvajärjestelmä:	Ylivirta- tai virtapiikkikatkaus. Liian kuumen kompressorin sammutus. Korkeapainehälytys ja kompressorin sammutus. Matalapainehälytys ja kompressorin sammutus. Akuton virtakatkohälytys. SensO ₂ -happijärjestelmän hälytys mahdollisesta tukoksesta.
Leveys:	38.1 cm ± 1 cm (15 in ± 3/8 in)
Korkeus:	58.4 cm ± 1 cm (23 in ± 3/8 in)
Syvyys:	30.5 cm ± 1 cm (12 in ± 3/8 in)
Paino:	Perfecto ₂ AW mallit - 20.5 kg ± 1 kg (45 lbs ± 2 lbs) Perfecto ₂ VAW mallit - 18.1 kg ± 1 kg (40 lbs ± 2 lbs)
Kuljetuspaino:	Perfecto ₂ AW mallit - 22.7 kg ± 1 kg (50 lbs ± 2 lbs) Perfecto ₂ VAW mallit - 20.4 kg ± 1 kg (45 lbs ± 2 lbs)
Käyttöolosuhteet:	10°C - 35°C (50°F - 95°F) suhteellinen kosteus 20–60%
Kotelo:	Iskunkestävä, palamatonta muovia oleva kotelo, joka on UL 94-V0 -standardin mukainen.
Ei AP/APG	Ei saa käyttää syttyvien anestesiaseosten läheisyydessä

Standardien ja säädösten luettelo:	IEC/EN60601-1, A1, A2 IEC/EN60601-1-2 IEC/EN61000-3-2 IEC/EN61000-3-3, ISO8359 MDD 93/42/EEC, Liitteet I ja IX
CE-merkityt mallit:	IRC5PO2AW/IRC5PO2VAW
Sähkövirta:	Ei jatkojohtoja.
Sijainti:	Vähintään 30,5 cm:n (12 tuuman) päässä seinistä, huonekaluista, verhoista tai muista vastaavista pinnoista, jotta voidaan varmistaa riittävä ilman kierto. Vältä paksuja mattoja, lämmittimiä, pattereita ja lämmitysritilöitä. Sijoitettava lattialle. Ei umpinaisia tiloja (esim: ei kaappeja).
Letkut:	2,1 metrin kanyyli ja enintään 15,2 metrin rutistuksenkestävä letku (ÄLÄ purista)
Käyttöaika:	24 tuntia päivässä.
Suosittelut varastointi- ja kuljetuslämpötila:	-29 - 65 °C 15-95 %:n suhteellisessa kosteudessa.
Käyttöympäristö:	Savuton ja noeton. Ei saa käyttää suljetuissa tiloissa, esimerkiksi komeroissa
Vähimmäiskäyttöaika:	30 minuuttia

Notes

Innholdsfortegnelse

Denne veiledningen skal overleveres til sluttbrukeren. Les denne veiledningen FØR du bruker produktet, og behold den for fremtidig referanse.

1 Generell informasjon	100
1.1 Symboler	100
1.2 Bruksområde	102
1.3 Beskrivelse	102
1.4 Kontraindikasjoner	103
2 Sikkerhet	104
2.1 Plassering av etiketter	104
2.2 Generell veiledning	105
2.3 Høyfrekvent støy	108
3 Komponenter	109
3.1 Identifisering av komponenter	109
4 Tilbehør	111
4.1 Valgfritt tilbehør	111
5 Montering	112
5.1 Utpakking	112
5.2 Inspeksjon	112
5.3 Oppbevaring	112
6 Bruk	113
6.1 Innledning	113
6.2 Finn et sted	113
6.3 Montere og klargjøre konsentratoren	114
6.3.1 Klargjøre fukteren	114
6.3.2 Slå på konsentratoren	116
6.3.3 Strømningshastighet	117

6.3.4 SensO ₂ indikatorer for oksygenrenhet	117
6.3.5 Første gangs oppstart av konsentratoren	117
6.3.6 Forklaring av Indikatorlampene for oksygenrenhet	118
6.3.7 Måler for medgått tid (timesmåler)	118

7 Vedlikehold	119
7.1 Rengjøring av kabinettet	119
7.2 Rengjøring av kabinettfilteret	120
7.3 Rengjøring og varmedesinfeksjon av fukteren	121
7.4 Rengjøring og desinfeksjon mellom pasienter	121
7.5 Sjekkliste for forebyggende vedlikehold	122
8 Etter bruk	123
8.1 Informasjon om gjenvinning	123
8.2 Naturlig slitasje	123
9 Problemløsning	124
9.1 Problemløsning	124
10 Tekniske data	127
10.1 Typiske produktparametre	127

I Generell informasjon

I.1 Symboler

I denne brukerveiledningen brukes bestemte symboler for å angi risiko eller utrygge fremgangsmåter som kan resultere i personskade eller skade på eiendom. I tabellen nedenfor finner du forklaringer av disse symbolene.



FARE!

– FARE! Angir en situasjon med overhengende fare som, hvis man ikke unngår den, vil føre til død eller alvorlig personskade.



ADVARSEL!

– ADVARSEL! Angir en potensielt risikofylt situasjon som, hvis man ikke unngår den, kan føre til død eller alvorlig personskade.



FORSIKTIG!

– FORSIKTIG! Angir en potensielt risikofylt situasjon som, hvis man ikke unngår den, kan føre til skade på materiell, mindre personskade eller begge deler.



Gir nyttige tips, anbefalinger og opplysninger når det gjelder effektiv og problemfri bruk.

Symboler i dokumentasjon



Lese manualen



Røyking forbudt



Ingen åpen flamme



Klasse II, dobbeltisolert



Vekselstrøm



Utstyr Type BF



Skal gjenvinnes



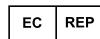
Kast IKKE produktet som vanlig husholdningsavfall



Fare for elektrisk støt



Skal holdes tørr



Forhandler i EU



Produsent



Kontakt leverandøren



Dette produktet er i samsvar med EU-direktivet 93/42/EØF om medisinsk utstyr.

Lanseringsdatoen for dette produktet er oppgitt i CE-samsvarserklæringen.

Hvis du vil ha flere detaljer om CE-merker, kan du se Vanlige produktparametere.

Symboler på produktet





Enhet i drift



Les veiledningen

O₂-indikatorer

Symbol	O ₂ -renhet	INDIKATORLAMPER (LED)
O ₂	SYSTEMET OK O ₂ over 85%	GRØNN indikatorlampe
	O ₂ mellom 73 % og 85 %	GUL indikatorlampe A. GUL fast B. GUL blinkende sensor Svikt Ta kontakt med kvalifisert servicepersonale.
	SYSTEMSVIKT O ₂ nedenfor 73 %	RØD indikatorlampe Vedvarende lydalarm Sieve-GARD™ kompressor Avstengning

1.2 Bruksområde

Oksygenkonsentratoren er beregnet på å brukes av enkeltpasienter med åndedrettssykdommer som trenger ekstra oksygentilførsel. Apparatet er ikke beregnet på pasienter som trenger livsoppretholdende eller livsstøttende behandling.



FARE!

FARE FOR PERSONSKADE ELLER DØD

Produktet skal brukes til å gi ekstra oksygentilførsel og skal ikke være livsstøttende eller livsoppretholdende. Produktet skal KUN brukes dersom pasienten kan puste på egen hånd, det vil si puste inn og ut uten bruk av en maskin.

- Produktet må IKKE kobles i parallell eller serie med andre oksygenkonsentratorer eller oksygenbehandlingsapparater.



FARE!

FARE FOR PERSONSKADE ELLER DØD

Avhengig av den medisinske tilstanden, kan det hende at pasienter med flow over 5 l/m har høyere risiko for alvorlig personskade eller død i tilfelle feil.

- Diskuter ALLTID denne økte risikoen med helseleverandøren din FØR du bruker dette produktet, eller hvis du får foreskrevet en flow på over 5 l/m.



FARE!

FARE FOR PERSONSKADE ELLER DØD

Invacare streber etter å produsere den beste oksygenkonsentratoren på markedet i dag, men denne oksygenkonsentratoren kan likevel svikte når det gjelder å produsere oksygen, i tilfelle strømbrytning eller funksjonssvikt.

- Du må ALLTID ha en reservetilførsel til O₂ lett tilgjengelig.
- I tilfelle oksygenkonsentratoren mislykkes i å produsere oksygen, utløses det en kort alarm på konsentratoren for å signalere til pasienten at han eller hun bør bytte til reserve-O₂-kilden. Se Problemløsning hvis du vil ha flere detaljer.



ADVARSEL!

FARE FOR PERSONSKADE ELLER SKADE PÅ UTSTYR

Bruk av produktet til andre formål og med andre produktparametre har ikke blitt testet og kan føre til skade på produktet, tap av produktfunksjoner eller personskade.

- Bruk IKKE produktet på annen måte enn det som er beskrevet i delene om beregnet bruk og produktparametre i denne bruksanvisningen.

1.3 Beskrivelse


Invacare Perfecto₂-konsentratoren brukes av pasienter med respirasjonssykdommer som trenger ekstra oksygentilførsel. Apparatet er ikke ment for pasienter som trenger livsoppretholdende eller livsstøttende behandling.

Oksygenkonsentrasjonsnivået i den leverte gassen veksler fra 87 til 95,6 %. Oksygenet leveres til pasienten gjennom et nesekateter.

Invacare Perfecto₂-konsentratoren bruker en molekylsil og trykksvingningsadsorpsjon til å fremstille oksygen. Luft fra omgivelsene kommer inn i apparatet, filtreres, og deretter komprimeres den. Denne komprimerte luften (trykkluften) rettes deretter mot én av to silbunner for nitrogenadsorpsjon.

Konsentrert oksygen strømmes ut av enden på den aktive silbunnen og ledes inn i en oksygenbeholder, der den tilføres pasienten.

Invacare Perfecto₂-konsentratoren kan brukes av pasienter hjemme eller på institusjoner. Apparatet brukes med en strømforsyning med en merkespenning på 230 V vekselstrøm / 50 Hertz.

 Begge konsentratormodellene (IRC5PO2AW og IRC5PO2VAW) har identiske driftsparametere, med unntak av produktets vekt og strømforbruk. Se Vanlige produktparametere.

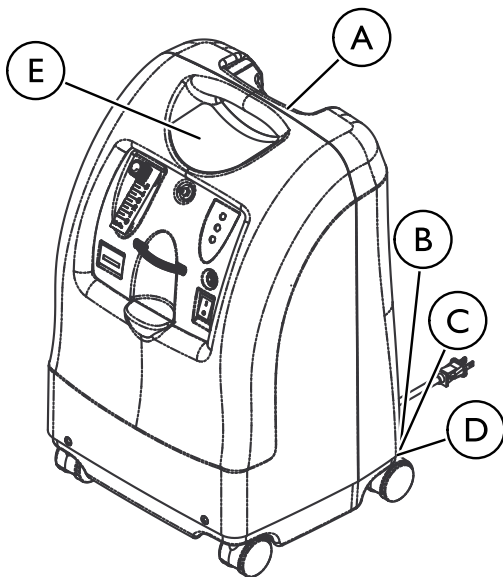
Serviceinformasjon er tilgjengelig på forespørsel bare for kvalifisert teknisk personell.

1.4 Kontraindikasjoner

Invacare er ikke kjent med kontraindikasjoner for konsentratorserien Invacare Perfecto₂.

2 Sikkerhet

2.1 Plassering av etiketter



A	Serienummeret er plassert på resonatorinntaksdelen.
B	Etiketten med spesifikasjonene er plassert nederst på baksiden av konsentratoren.
C	Etikett for forhandler i EU er plassert på undersiden.

D	Etikett med informasjon om fjalat er plassert på undersiden.
E	<div style="border: 1px solid black; border-radius: 15px; padding: 10px; margin-bottom: 10px;"> <p style="text-align: center;">Perfecto₂™</p> <p style="text-align: center;">INFORMASJON OM ALARMER, LYDSIGNALER OG TRYGG BRUK AV UTSTYR OG TILBEHØR FINNER DU I BRUKSANVISNINGEN, ELLER DU KAN KONTAKTE LEVERANDØREN AV HJEMMEPLEIUTSTYR.</p> <hr/> <p>FARE BRANNFARE – RØYKING OG BRUK AV ÅPEN ILD ELLER ANDRE TENNKILDER ER FORBUDT</p> <p>Hold ALLE tennkilder borte fra rommet som dette produktet befinner seg i, og borte fra områder hvor det blir gitt oksygen. Tekstiler, olje og andre brennbare materialer blir lettantennelige og brenner kraftig i oksygenrik luft.</p> <p>FARE FARE FOR ELEKTRISK STØT</p> <p>IKKE fjern dekselet. Overlat vedlikehold og reparasjoner til kvalifisert servicepersonell.</p> <p style="text-align: right;">HomeFill® II Kompatibel</p> </div> <div style="border: 1px solid black; border-radius: 15px; padding: 10px;"> <p style="text-align: center;">Perfecto₂™ V</p> <p style="text-align: center;">INFORMASJON OM ALARMER, LYDSIGNALER OG TRYGG BRUK AV UTSTYR OG TILBEHØR FINNER DU I BRUKSANVISNINGEN, ELLER DU KAN KONTAKTE LEVERANDØREN AV HJEMMEPLEIUTSTYR.</p> <hr/> <p>FARE BRANNFARE – RØYKING OG BRUK AV ÅPEN ILD ELLER ANDRE TENNKILDER ER FORBUDT</p> <p>Hold ALLE tennkilder borte fra rommet som dette produktet befinner seg i, og borte fra områder hvor det blir gitt oksygen. Tekstiler, olje og andre brennbare materialer blir lettantennelige og brenner kraftig i oksygenrik luft.</p> <p>FARE FARE FOR ELEKTRISK STØT</p> <p>IKKE fjern dekselet. Overlat vedlikehold og reparasjoner til kvalifisert servicepersonell.</p> <p style="text-align: right;">HomeFill® II Kompatibel</p> </div>

2.2 Generell veiledning

For å sikre at konsentratoren installeres, settes opp og betjenes på en sikker måte, MÅ denne veiledningen følges.



FARE!

Fare for død, personskade eller skade på utstyr

Feil bruk av produktet kan føre til død eller skade på personer eller utstyr. Denne delen inneholder viktig informasjon om hvordan du bruker produktet på en trygg måte.

- Du må IKKE bruke dette produktet eller tilgjengelig tilleggsutstyr uten først å ha lest og forstått denne veiledningen og eventuelle andre instruksjoner, for eksempel bruksanvisninger, servicehåndbøker eller instruksjonsark som følger med dette produktet eller tilleggsutstyret.
- Hvis du har problemer med å forstå advarslene, forsiktighetsmeldingene eller instruksjonene, ta kontakt med kvalifisert helsepersonell, en forhandler eller teknisk personell før du bruker dette utstyret.
- Kontroller ALLE utvendige deler og emballasje med tanke på skade. Kontakt en tekniker eller Invacare dersom noe er skadet eller produktet ikke fungerer som det skal, slik at det kan bli reparert.
- INFORMASJONEN I DETTE DOKUMENTET KAN ENDRES UTEN VARSEL.



FARE!

Fare for død, personskade eller skade på utstyr på grunn av brann

Tekstiler, olje- eller petroleumsholdige stoffer, fett, fettholdige stoffer og andre brennbare stoffer er lettantennelige og brenner kraftig i oksygenrik luft og når de kommer i kontakt med oksygen under trykk. Unngå brann, død, personskade eller skade på utstyr:

- IKKE RØYK når du bruker dette utstyret.
- IKKE bruk produktet nær ÅPEN ILD eller TENNKILDER.
- IKKE bruk smøremidler på konsentratoren med mindre det er anbefalt av Invacare.
- RØYKING FORBUDT-skilt bør være plassert godt synlig.
- Unngå gnistdannelse nær oksygenutstyr. Dette innbefatter gnister fra statisk elektrisitet dannet ved friksjon.
- Hold alle fyrstikker, tente sigaretter og andre antenneskilder borte fra rommet som konsentratoren befinner seg i, og borte fra området hvor det blir gitt oksygen.
- Oksygenlanger, ledninger og konsentratoren selv må aldri dekkes til av tepper, sengetøy, stolputer eller klær og må holdes borte fra varme overflater, inkludert ovner, komfyrer og lignende elektriske apparater.



FORSIKTIG!

Føderal lovgivning fastsetter at dette utstyret skal selges av eller etter foreskrivning av offentlig autorisert helsepersonell.

- KUN autorisert helsepersonell kan foreskrive kjøp eller bruk av dette utstyret.



FARE!

Fare for død eller personskade på grunn av elektrisk støt

Reduser faren for forbrenninger, elektrisk støt, død eller personskade:

- Produktet MÅ IKKE demonteres. Overlat vedlikehold og reparasjoner til kvalifisert servicepersonell. Produktet inneholder ingen deler som brukeren kan utføre service på.
- Unngå å bruke konsentratoren mens du bader. Hvis legen har foreskrevet kontinuerlig bruk, må konsentratoren plasseres i et annet rom minst 2,5 m fra badekaret.
- IKKE berør konsentratoren når du er våt.
- IKKE plasser eller oppbevar konsentratoren på et sted hvor den kan falle i vann eller annen væske.
- IKKE ta i en konsentrator som har falt i vann. Koble fra produktet ØYEBLIKKEG.
- IKKE bruk frynsede eller skadede ledninger på vekselstrømsadapteren.



ADVARSEL!

Fare for personskade eller skade på utstyr

- Produktene fra Invacare er utviklet og produsert spesielt for bruk sammen med ekstrautstyr fra Invacare. Ekstrautstyr fra andre produsenter er ikke testet av Invacare og er ikke anbefalt for bruk sammen med produkter fra Invacare.
- Det finnes mange ulike typer fuktere, oksygenlanger, kanyler og masker som kan brukes sammen med dette apparatet. Du bør kontakte den lokale leverandøren av utstyr til hjemmebruk for å få anbefalinger om hvilke av disse apparatene som er best for deg. Leverandøren kan også gi deg råd om riktig bruk, vedlikehold og rengjøring.



FARE!

Fare for personskade eller død

Unngå kvelning eller inntak av kjemikalier på grunn av forurensninger i luftveiene:

- IKKE bruk konsentratoren i nærheten av forurensende stoffer, røyk, damp, lett antenkelige anestesimidler, rengjøringsmidler eller kjemiske gasser.



ADVARSEL!

Fare for personskade eller død

Unngå personskade eller død som skyldes feil bruk av produktet:

- Før nøye tilsyn når konsentratoren brukes av eller i nærheten av barn eller personer med funksjonsnedsettelse.
- Overvåk pasienter som bruker dette apparatet, når de ikke kan høre eller se alarmer eller uttrykke ubehag.

**ADVARSEL!****Risiko for personskade eller død**

Unngå kvelning på grunn av innvikling i slangen:

- Hold barn og kjæledyr borte fra nesekanylen og slangen.
- Bruk av nesekanyle hos eller i nærheten av barn eller personer med funksjonsnedsettelse krever nøye tilsyn.

**ADVARSEL!****Fare for personskade eller død**

Reduser faren for personskade eller død på grunn av sykdom:

- Bytt nesekateteret regelmessig. Snakk med utstyrsleverandøren eller legen for å bestemme hvor ofte kateteret bør byttes ut.
- IKKE bruk det samme kateteret på flere pasienter.

**ADVARSEL!****Fare for personskade**

Endringer i høyde kan påvirke den totale oksygenmengden som er tilgjengelig for deg. Unngå oksygenmangel:

- Snakk med legen din før du reiser til områder som ligger høyere eller lavere, for å avgjøre om flowinnstillingene bør endres.

**ADVARSEL!****Fare for personskade eller skade på utstyr**

Unngå personskade eller skade på utstyr som skyldes feil håndtering av ledninger:

- IKKE flytt på konsentratoren ved å trekke i ledningen.
- IKKE bruk forlengelsesledninger på vekselstrømsadaptere som følger med.
- Oppbevar og plasser elektriske ledninger og slanger på riktig måte for å unngå snublefare.

**ADVARSEL!****Fare for personskade eller skade på utstyr**

Unngå personskade eller skade på utstyr som skyldes feil bruk:

- La ALDRI konsentratoren stå uten tilsyn når den er koblet til strøm.
- Pass på at konsentratoren er slått av når den ikke er i bruk.
- Når oksygenkonsentratoren brukes utendørs, må dette KUN gjøres med strøm fra det interne batteriet eller tilleggsbatteriet.



ADVARSEL!

Fare for personskade eller skade på utstyr

Invacares oksygenkonsentratorer er konstruert slik at de skal kreve så lite regelmessig forebyggende vedlikehold som mulig. Unngå personskade eller skade på utstyr:

- Bare kvalifisert helsepersonell eller personer som har fullstendig oversikt over denne prosessen, for eksempel personell med fabrikkopplæring, skal utføre forebyggende vedlikehold eller justere ytelsen til oksygenkonsentratoren, med unntak av oppgavene som er beskrevet i denne bruksanvisningen.
- Brukere bør kontakte en forhandler eller Invacare for å bestille service.



FORSIKTIG!

Fare for skade på utstyr

Unngå skade på grunn av væskeinntrenging:

- Dersom konsentratoren ikke fungerer skikkelig eller har falt i gulvet, i vann eller har fått skader på annen måte, må du kontakte leverandøren eller en kvalifisert tekniker for undersøkelse og reparasjon.
- Du må ALDRI miste eller føre noen gjenstander eller væske inn i noen av åpningene.
- Invacare anbefaler at konsentratoren ikke brukes i regnvær.

2.3 Høyfrekvent støy



ADVARSEL!

Risiko for personskade eller skade på utstyr

Reduser faren for personskade eller skade på produktet som følge av interferens med trådløst utstyr:

- Hold konsentratoren minst 3,0 m (9,8 fot) unna trådløst kommunikasjonsutstyr, for eksempel enheter for trådløse hjemmenettverk, mobiltelefoner, trådløse telefoner og basestasjoner, walkietalkier, osv.

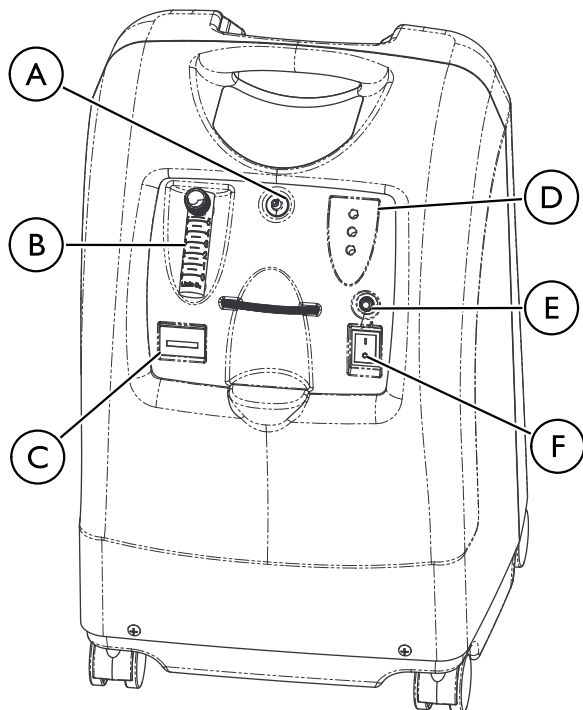
Dette utstyret har blitt testet og funnet i samsvar med EMC-grensene som er angitt i IEC/EN 60601-1-2. Disse grensene er fastsatt for å gi en rimelig grad av beskyttelse mot elektromagnetisk interferens i typiske medisinske installasjoner.

Andre apparater kan oppleve interferens selv ved de svake nivåene av elektromagnetisk stråling som er tillatt i samsvar med standardene nevnt ovenfor. Du kan finne ut om det er støy fra konsentratoren som forårsaker interferens, ved å slå av konsentratoren. Dersom interferensen på det andre apparatet slutter, er det konsentratoren som forårsaker interferensen. I slike sjeldne tilfeller kan du redusere eller korrigere interferens på en av følgende måter:

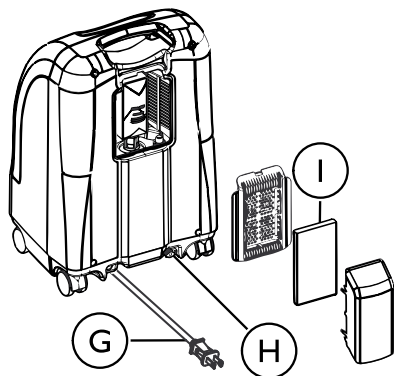
- Snu eller flytt apparatene, eller øk avstanden mellom dem.
- Koble apparatene til uttak som tilhører ulike kretser.

3 Komponenter

3.1 Identifisering av komponenter



(A)	Oksygenuttak
(B)	Strømmåler
(C)	Måler for medgått tid
(D)	Indikasjonslamper for oksygenrenhet og feilfunksjoner /Indikasjonslamper for feil og spenning
(E)	Kretsbyter
(F)	Spenningsbryter

Sett bakfra

Ⓒ	Nettspenningskabel
Ⓗ	HomeFill-uttaksdel
Ⓘ	Kabinettfilter

i HomeFill-uttaksdelen Ⓗ skal bare brukes til å fylle på oksygenylindere med HomeFill-oksygenkompressoren for hjemmebruk. Uttaksdelen virker ikke inn på konsentratorens ytelse. Anvisninger for bruk og tilkobling finner du i bruksanvisningen for HomeFill. Når den ikke er i bruk, skal pluggen som følger med konsentratoren, være satt i uttaksdelen. Hvis du vil ha mer informasjon om HomeFill, kan du kontakte Invacare-forhandleren din.

4 Tilbehør

4.1 Valgfritt tilbehør

Det finnes mange ulike typer fuktere, oksygenlanger, kanyler og masker som kan brukes sammen med dette apparatet. Du bør kontakte den lokale leverandøren av utstyr til hjemmebruk for å få anbefalinger om hvilke av disse apparatene som er best for deg. Leverandøren kan også gi deg råd om riktig bruk, vedlikehold og rengjøring.

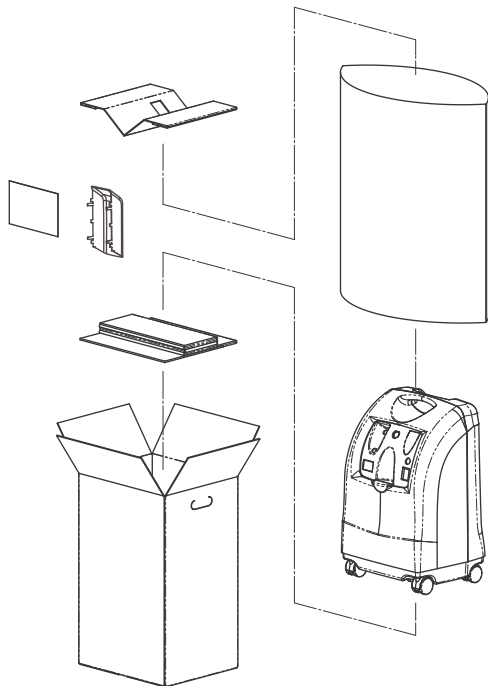
Tilbehøret (nesekanyle, maske, slanger, fukter, osv.) som brukes for å tilføre oksygen til pasienten, må ha en måte å redusere brannspredning i tilbehøret på for pasientens og andres sikkerhet. Hvis et kommersielt tilgjengelig apparat som stopper flow hvis det oppstår brann, brukes sammen med tilbehøret, skal det plasseres så nært pasienten som praktisk mulig.

Følgende valgfrie tilbehørs- og reservedeler (som vist nedenfor) er også tilgjengelig:


- standard nesekanyle for voksen, 2,1 m (7 fot) – M3120
- standard fukter – Invacare-denummer 1155719
- PreciseRX™ pediatrik fukter/flowmeter – IRCPF16AW
- HomeFill-oksygenkompressor for hjemmebruk – IOH200AW
- holder for fukterflaske – M1521
- oksygenlange, 2,1 m (7 fot) – MS4107
- oksygenlange, 6,3 m (21 fot) – MS4121
- oksygenlangekontakt – MS4301

5 Montering

5.1 Utpakking



1. Sjekk om det er åpenbare skader på kartongen eller dens innhold. Hvis skaden er tydelig, gi beskjed til transportøren, eller din lokale forhandler.
2. Alt løst pakningsmateriale tas ut av kartongen.
3. Ta forsiktig alle delene ut av kartongen.

 Med mindre oksygenkonsentratoren skal brukes ØYEBLIKKEG, bør den oppbevares i emballasjen inntil den skal tas i bruk.

5.2 Inspeksjon

1. Kontroller at det ikke er hakk, bulker, sprekker, riper eller annen skade på konsentratorens overflate.
2. Inspiser alle delene.

5.3 Oppbevaring

1. Når oksygenkonsentratoren er pakket inn på nytt skal den lagres tørt. Se Vanlige produktparametere for å få informasjon om parametere for oppbevaringstemperatur.
2. Andre gjenstander SKAL IKKE settes oppå den gjeninnpakkede konsentratoren.

6 Bruk

6.1 Innledning

Oksygenkonsentratoren er ment for bruk innendørs av én person. Det er elektronisk betjent apparat som utskiller oksygen fra luften i rommet. Det tilfører oksygen i høy konsentrasjon direkte til deg via nesekanylen. Det er dokumentert gjennom kliniske studier at oksygenkonsentratorer er behandlingsmessig likeverdige med andre typer av utstyr for tilførsel av oksygen.

Leverandøren kan vise deg hvordan du bruker oksygenkonsentratoren du har. Du bør kontakte leverandøren dersom du har spørsmål eller problemer som gjelder oksygenkonsentratoren. Denne brukerhåndboken kan gi informasjon om konsentratoren og fungerer som henvisningsmateriale når du bruker konsentratoren.

6.2 Finn et sted



ADVARSEL!

Fare for personskade eller skade på utstyr

Unngå personskade eller skade på utstyr på grunn av luftbåren forurensning og/eller damp, og oppnå optimal ytelse:

- Plasser konsentratoren på et sted med god ventilasjon slik at luftinntak og luftutblåsning ikke dekkes til.
- Blokker ALDRI luftåpningene på konsentratoren, og sett den aldri på et mykt underlag som en seng eller sofa, hvor luftåpningene kan bli blokkert.
- Hold åpningene frie for lo, hår og liknende.
- Plasser konsentratoren med minst 30,5 cm avstand til vegger, gardiner og møbler.
- Ikke bruk konsentratoren i nærheten av forurensende stoffer, røyk eller damp, lett antenkelige anestesimidler, rengjøringsmidler eller kjemiske gasser.
- Plasser konsentratoren på et sted med god ventilasjon for å unngå luftbåren forurensning og/eller damp.
- SKAL IKKE brukes i skap.



ADVARSEL!

Risiko for personskade

Slik unngår du skade under behandling:

- Oksygenkonsentratoren MÅ plasseres på et jevnt underlag før bruk.
- IKKE flytt oksygenkonsentratoren mens den er i bruk.

Du kan velge et rom i huset hvor det passer best å bruke oksygenkonsentratoren. Konsentratoren går på hjul og kan enkelt trilles fra rom til rom.

Oksygenkonsentratoren vil fungere best under de forholdene som er beskrevet i tabellen nedenfor.

Bruk under andre forhold enn det som er beskrevet kan gjøre det nødvendig med hyppigere vedlikehold av utstyret. Luftinntaket til enheten bør være i et godt ventilert område slik at luftbåren forurensning og/eller røyk unngås.

6.3 Montere og klargjøre konsentratoren

1. Sett støpselet inn i en elektrisk stikk-kontakt.
2. Kople til luftfukteren (hvis dette er forskrevet)

6.3.1 Klargjøre fukteren



ADVARSEL!

Fare for personskade eller skade på utstyr

Pass på følgende for å unngå forbrenninger fra damp eller varmt vann, inhalering av vann og/eller vannskade på konsentratoren:

- IKKE fyll fukterflasken med varmt vann. La kokt vann kjøle seg ned til romtemperatur før du fyller det på.
- Luftfukteren **MÅ IKKE** fylles opp for mye.
- Sett på hetten på fukteren igjen, og stram godt. Kontroller at hetten ikke er skrudd på skjevt på fukterflasken.
- Du må IKKE bytte om på oksygeninntaks- og uttakskontaktene. Vann fra fukterflasken vil passere gjennom kanylen tilbake til pasienten hvis inntaks- og uttakskontaktene byttes om på.
- Ved bruk av slangetilkoblinger på mer enn 2,1 m (7 fot) skal fukteren plasseres så nær pasienten som mulig for å gi maksimal effekt.



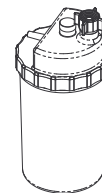
ADVARSEL!

Fare for personskade eller skade på utstyr

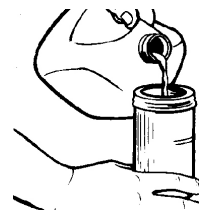
Hvis fukterflasken eller annet tilbehør til konsentratoren ikke installeres på riktig måte, kommer det til å påvirke oksygenflowen.

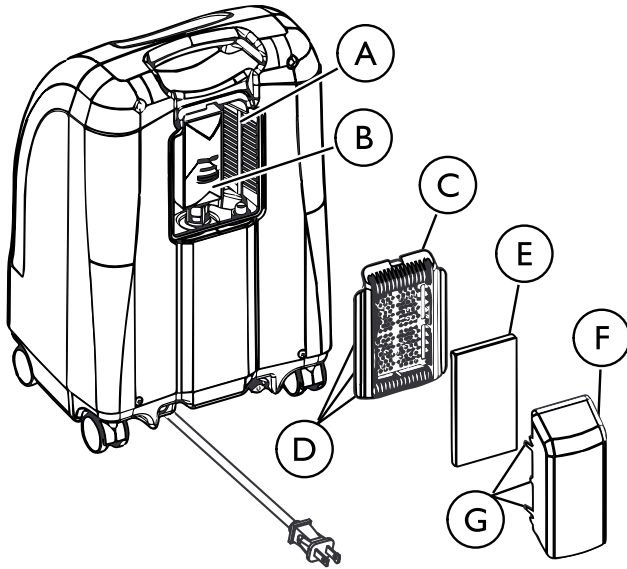
- Du må kontrollere at oksygenkonsentratoren og tilbehøret fungerer som det skal, ved å plassere enden av nesekanylen oppi en halvfull kopp med vann og se om vannet bobler.
- Hvis du ikke ser noen bobler, kontrollerer du alle tilkoblingene (inkludert fukterflasken og eventuelt annet tilbehør) og prøver på nytt. Kontakt forhandleren eller tjenesteleverandøren straks hvis det fortsatt ikke kommer bobler.

Fukterflasken med Cap



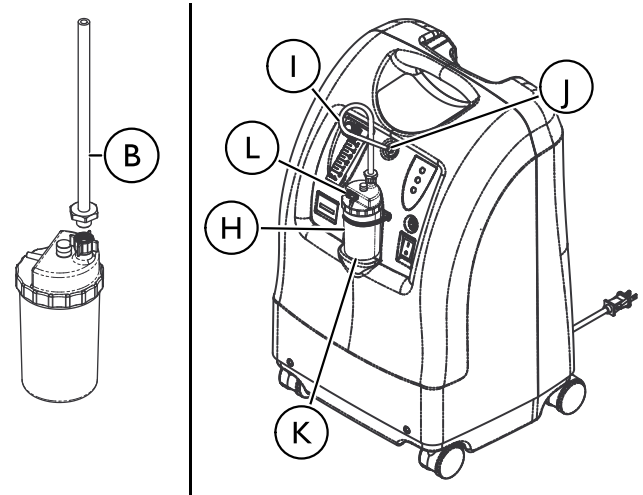
Fukterflasken uten Cap





1. Ta hetten av flasken.
2. Fyll fukterflasken A med kokt vann fra kran eller med vann fra flaske opp til nivået som er anvist av produsenten. Kok kranvann i omtrent 10 minutter, og kjøøl det ned til romtemperatur før bruk.
3. Sett en flathodet skrutrekker inn i platesporet på den øvre kanten av filterdøren C, og press forsiktig opp filterdøren.
4. Trekk opp og fjern fukterflaskeadapteren B (ved siden av inntaksfilteret).


5. Sett filterdøren på plass igjen, og installer luftinntaket F i filterdøren ved å sette de seks klaffene G på luftinntaket inn i de seks sporene D på siden av filterdøren.



6. Sett den på luftfukeren H ved å vri vingemutteren på luftfukeren mot utviseren til den sitter godt fast.

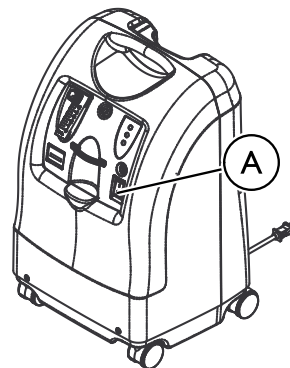
7. Velg plassering av fukterflasken/adapteren:

- Når fukterflasken plasseres i rommet på konsentratoren, skal fukterflasken/adapterslangen ① festes til oksygenuttaket ① på konsentratoren.
- Ved plassering av fukterflasken ved siden av pasienten skal fukterflasken/adapteren settes i fukterflaskeholderen ② (M1521, se Valgfritt tilbehør) og plasseres på et jevnt underlag så nær pasienten som mulig. Fest en oksygenlangekontakt (MS4301, se Valgfritt tilbehør) til enden på fukterflasken/adapterslangen. Koble den ene enden av oksygenlangen (MS4107 eller MS4121, se Valgfritt tilbehør) til den ledige enden av oksygenlangekontakten, og koble den andre enden til oksygenuttaket på konsentratoren.


 Ved bruk av slangetilkoblinger på mer enn 2,1 m (7 fot) skal fukteren plasseres så nær pasienten som mulig for å gi maksimal effekt.

8. Fest nesekanyleslangen til uttaket på fukterflasken ③.
9. Etter at det er satt sammen må det påses at oksygenet strømmer fritt gjennom kanylen.

6.3.2 Slå på konsentratoren



1. Sett strømbryteren ④ i på-stilling.

 Alle lysene på panelet og lydalarmeren settes på i et sekund, som tegn på at enheten fungerer som den skal.

6.3.3 Strømningshastighet

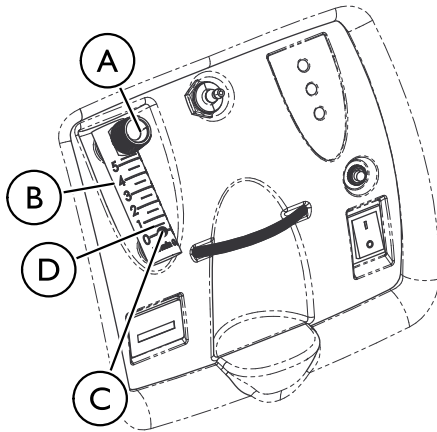


ADVARSEL!

Fare for personskade

Slik gjør du for å unngå skader som skyldes for mye oksygen eller mangel på oksygen:

- Innstillingen i l/min som strømningsmåleren står på skal IKKE endres hvis det ikke er forskrevet av legen eller terapeuten.



Ikke angi flow til over den RØDE ringen. En oksygenflow på mer enn 5 l/min reduserer oksygenkonsentrasjonen.

1. Sett bryteren **A** for strømningshastigheten på den innstillingen som legen eller terapeuten har forskrevet.



Finn streken som tilsvarer forskrevet strømningshastighet på måleren **B** for å få en riktig avlesning av måleren. Deretter skrur bryteren opp til ballen **C** stiger opp til streken. Nå skal ballen sentreres på streken for den forskrevne innstillingen i l/min.

2. Dersom gjennomstrømningshastigheten som gjennomstrømningsmåleren viser, faller under 0,5 L/min **D** i mer enn ca. ett minutt, utløses alarmen om mulig blokkering. Dette er et hurtig pipesignal fra lydalarmeren. Kontroller at slanger eller tilbehør ikke har knekk eller er blokkert eller at ikke luftfukterflasken er defekt. Etter at gjennomstrømningen gjenopprettes til mellom 0,5 L/min og 0,75 L/min, slås alarmen om mulig blokkering av.



Bruk av utstyr som PreciseRx™ pediatrik gjennomstrømningsmåler og HomeFill-kompressor vil føre til at alarmen om mulig blokkering deaktiveres.

6.3.4 SensO₂ indikatorer for oksygenrenhet

Denne funksjonaliteten overvåker hvor rent oksygen det er som genereres i oksygenkonsentratoren. Hvis renheten synker under fabrikkens forhåndsstilte nivåer, vil indikatorlamper tennes på kontrollpanelet.

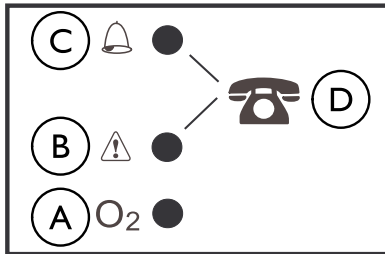
6.3.5 Første gangs oppstart av konsentratoren



Konsentratoren kan brukes under oppvarmingstiden for første gangs bruk (ca. 30 min), mens den venter på at renheten i O₂ kommer opp på maksimalt nivå.

Når enheten er slått på, vil det GRØNNE lyset tennes (SYSTEM OK/O₂ høyere enn 85 %). Etter fem minutter vil oksygensensoren fungere normalt og styre indikatorlampene i henhold til verdiene for oksygenkonsentrasjonen.

6.3.6 Forklaring av Indikatorlampene for oksygenrenhet



	Lampe	Symbol	Forklaring
Ⓐ	GRØNN lampe	(O ₂)	Normal drift
Ⓑ	GUL lampe		Ring leverandøren umiddelbart. You may continue to use the concentrator unless instructed otherwise by your supplier. Be certain that backup oxygen is nearby.
Ⓒ	RØD lampe		Enheden slås helt av. Bytt til reserveoksygentilførsel, og ring leverandøren.
ⒶⒷ	GRØNN lampe lyser og GUL lampe blinker	(O ₂) and	Ring leverandøren umiddelbart. Oksygensensoren fungerer ikke. Du kan fortsette å bruke konsentratoren.
Ⓓ	—		Kontakt leverandøren

6.3.7 Måler for medgått tid (timesmåler)

Timesmåleren viser det kumulerte antall timer som enheten har vært i bruk. Referere til Identifikasjon av komponenter for en bestemt plassering.

7 Vedlikehold

7.1 Rengjøring av kabinettet



FARE!

Fare for personskade eller skade på utstyr

Invacares oksygenkonsentratorer er konstruert slik at de skal kreve så lite regelmessig forebyggende vedlikehold som mulig. Slik unngår du personskade eller skade på utstyr:

- Bare kvalifisert personell skal utføre forebyggende vedlikehold på oksygenkonsentratoren.
- IKKE fjern kabinettet.



FARE!

Fare for personskade eller skade på utstyr

Væske vil skade de innvendige komponentene på konsentratoren. Unngå skade på utstyr og personskade på grunn av elektrisk støt:

- Slå av konsentratoren, og koble fra strømledningen før rengjøring.
- IKKE la det trenge inn noen form for rengjøringsmiddel i åpningene på luftinntak og -utganger.
- IKKE spray eller påfør rengjøringsmidler direkte på kabinettet.
- IKKE skyll apparatet med slange.



FORSIKTIG!

Fare for skade på utstyr

Sterke kjemiske stoffer kan skade konsentratoren. Unngå skade på utstyret:

- IKKE rengjør kabinett, bærebag eller filter med alkohol eller alkoholbaserte produkter (isopropylalkohol), konsentrerte klorbaserte produkter (etylenklorid), oljebaserte produkter (Pine-Sol[®], Lestoil[®]) eller andre sterke kjemiske stoffer. Bruk kun et mildt oppvaskmiddel (f.eks. Dawn[™]).



Forebyggende vedlikehold MÅ minst utføres i samsvar med veiledningen for vedlikeholdsloggen. På steder med mye støv eller sot vil det kunne være behov for hyppigere vedlikehold. Se sjekklisten for vedlikehold.

Rengjør konsentratorens kabinett regelmessig på følgende måte:

1. Bruk en fuktig klut eller en svamp med et mildt oppvaskmiddel, f.eks. Dawn[™], til å rengjøre utsiden av kabinettet forsiktig.
2. La konsentratoren lufttørke, eller bruk et tørt håndkle, før du tar i bruk konsentratoren.

7.2 Rengjøring av kabinettfilteret



FORSIKTIG!

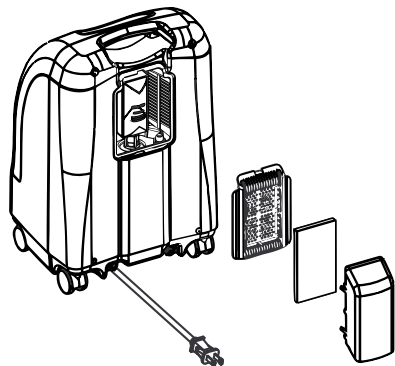
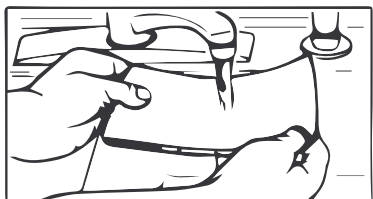
Fare for skade på utstyr


Unngå skade på grunn av tilstopping:

- IKKE bruk konsentratoren uten at luftinntaksfilteret står i.




Det er ett kabinettfilter på baksiden av kabinettet.




1. Fjern filteret og rengjør det som nødvendig.
 -  Miljøforhold som tilsier hyppigere rengjøring av filtrene kan for eksempel være: høy konsentrasjon av støv, røyking, luftforurensning osv.
2. Rengjøre kabinettet filteret med en støvsuger eller vask med en mild flytende oppvaskmiddel (som Dawn™) og vann. Rens grundig.
3. Tørk filteret godt, og se etter slitasje, oppsmuldring, rifter og hull. Bytt ut filteret hvis du finner noen skade.
4. Sett på plass kabinettfilteret igjen.

7.3 Rengjøring og varmedesinfeksjon av fukteren

 Rengjør og desinfiser oksygenfukteren daglig for å redusere kalkavsetning og hindre bakteriekontaminasjon. Følg produsentens instruksjoner. Hvis det ikke foreligger slike instruksjoner, gjør du følgende:

1. Vask fukteren i såpevann, og skyll den med en løsning som består av ti deler vann og én del eddik.
2. Rengjør grundig med varmt vann.
3. La den lufttørke grundig.

 Reduser bakterievekst ved å lufttørke fukteren grundig etter rengjøring når den ikke brukes. Se avsnittet om klargjøring for bruk.

7.4 Rengjøring og desinfeksjon mellom pasienter




ADVARSEL!

Fare for personskade eller skade på utstyr

Slik unngår du personskade fra infeksjon eller skade på konsentratoren:

- Bare kvalifisert personell skal rengjøre og desinfisere oksygenkonsentratoren og tilbehøret mellom bruk på pasienter.

 Følg disse instruksjonene for å hindre utveksling av patogener mellom pasienter som følge av kontaminering av komponenter eller tilbehør. Forebyggende vedlikehold skal også utføres ved behov.

1. Kasser og skift ut alt pasienttilbehør som ikke er egnet for bruk av flere pasienter, blant annet:
 - nesekanylen og den tilhørende slangen
 - masken
 - fukteren
2. Utfør vedlikeholdsprosedyrene som er beskrevet i denne bruksanvisningen, og punktene i sjekklisten for forebyggende vedlikehold.
3. Kontroller at konsentratoren ikke har utvendig skade eller tegn til andre ting som krever service eller reparasjon.
4. Kontroller at konsentratoren virker som den skal, og at alle alarmer fungerer.
5. Kontroller at pakken inneholder konsentratoren, strømledningen, luftinntaket, monteringsanvisningen, fukteren, kanylen, etikettene og bruksanvisningen, før den sendes til en ny pasient.

7.5 Sjekkliste for forebyggende vedlikehold

Modell Nr:

Serienummer:

VED HVER INSPEKSJON							
Servicedato loggføres							
Medgåtte timer ifølge timemåleren loggføres							
Rengjøre kabinettfilteret/-filtrene							
Kontroller angitt strømhastighet l /min							
ÅRLIG, VED FOREBYGGENDE VEDLIKEHOLD ELLER MELLOM PASIENTER							
ENHETER MED SensO₂ — HVER 26 280 timer							
Kontrollere oksygenkonsentrasjon*							
Rengjøre / bytte ut kabinettfilteret/-filtrene							
Rengjøre / bytte ut HEPA-utgangsfiler*							
Rengjøre / bytte ut inntaksfilteret på kompressoren*							
Kontroller alarmen for spenningsutfall							



26 820 timer svarer til bruk 24 timer per dag, 7 dager per uke i 3 år.

*Skal utføres av leverandøren eller av en servicetekniker. Se servicehåndboken.

8 Etter bruk

8.1 Informasjon om gjenvinning

TDette produktet er levert av en miljøbevisst produsent som oppfyller kravene i direktiv 2012/19/EF om avfall fra elektrisk og elektronisk utstyr (WEEE). Produktet kan inneholde stoffer som kan skade miljøet dersom produktet blir kastet på steder (fyllplasser) som ikke er i samsvar med lover og forskrifter.

Følg lokale forskrifter og planer ved avfallshåndtering av konsentratoren eller komponenter som normalt brukes sammen med konsentratoren. Konsentratoren danner ikke avfall eller rester under bruk.

- Kast IKKE konsentratoren som vanlig avfall.
- Alt tilbehør som ikke er en del av konsentratoren, MÅ håndteres i samsvar med det enkelte utstyrets produktmerking for avfallshåndtering.
- IKKE kast det interne batteriet eller tilleggsbatterier. Batterier bør leveres til forhandleren/leverandøren.

Invacare® arbeider kontinuerlig for å sikre at selskapets miljøpåvirkning, lokalt og globalt, reduseres til et minimum. Vi overholder gjeldende miljølovgivning (f.eks. WEEE- og RoHS-direktivene). Vi bruker kun materialer og komponenter som samsvarer med REACH-forskriftene.

8.2 Naturlig slitasje

Invacare forbeholder seg retten til å tilbaketrekke enhver vare som har en påstått defekt eller mangel når det gjelder utførelse. Se garantien som fulgte med produktet, for å få spesifikk garantiinformasjon.

Se bruksanvisningen for å få informasjon om riktig plan for forebyggende vedlikehold og bruk av produktet.

1195658-A

Dette er bare en generell retningslinje og omfatter ikke varer som har blitt skadet som følge av feil bruk eller misbruk.

Du finner en liste nedenfor med deler og komponenter med normal slitasje for dette produktet.

- alle typer filtre
- alle typer slanger
- alle typer batterier, inkludert blybatterier/litumbatterier, knappcellebatterier (typisk til klokker) og gelbatterier (6 måneder)




Silen består av et porøst filtreringsmateriale og regnes som et forbruksprodukt. Noen faktorer som kan påvirke levetiden til materialet i silen, er blant annet fuktighet, temperatur, partikkelstoffer, luftforurensning, luftinntak, vibrasjon og andre miljøforhold.

9 Problemløsning

9.1 Problemløsning


SYMPTOM	SANNSYNLIG ÅRSAK	LØSNING
<p>Alarm:</p> <p>Korte pipetoner, lang pause</p> <p>Konsentratoren virker ikke, spenningsbryteren står PÅ.</p> <p>Pip.....Pip.....</p>	<p>Nettspenningsutfall:</p> <ol style="list-style-type: none"> 1. Spenningskabelen er ikke satt i. 2. Ikke spenning i stikk-kontakten. 3. Utkoplet automatsikring. 	<ol style="list-style-type: none"> 1. Sett støpselet inn i stikk-kontakten. 2. Inspiser automatsikringer eller sikringer i huset. Hvis problemet gjentar seg bør det brukes en annen stikk-kontakt. 3. Skift / trykk inn sikringen. Hvis problemet oppstår på nytt, må du ringe tjenesteleverandøren.
<p>Alarm:</p> <p>Kontinuerlig</p> <p>Konsentratoren virker ikke, spenningsbryteren står PÅ.</p> <p>Piiiiiiiiip.....</p>	<p>Systemsvikt:</p> <ol style="list-style-type: none"> 1. Enheten overopphetet på grunn av blokkert luftinntak. 2. For lavt spenningsnivå i stikk-kontakten. 3. Nødvendig med reparasjoner i det elektriske anlegget 	<ol style="list-style-type: none"> 1. <ol style="list-style-type: none"> a. Ta ut og rengjør kabinettfiltrene. b. Flytt oksygenkonsentratoren minst 30,5 cm vekk fra 2. Skjøteledninger skal IKKE brukes. Bytt til en annen stikk-kontakt eller en annen strømkurs. 3. Ta kontakt med strømleverandøren.

SYMPTOM	SANNSYNLIG ÅRSAK	LØSNING
<p>Alarm:</p> <p>GUL eller RØD lampe er tent.</p> <p>Alarm: Kontinuerlig ved RØD lampe</p> <p>* Gjelder bare IRC5PO2AW & IRC5PO2VAW</p>	<p>Systemsvikt:</p> <ol style="list-style-type: none"> 1. Lav oksygenrenhet.* 2. Slangen, kanylen eller luftfukteren har en knekk eller er blokkert.* 3. Strømningsmåleren er innstilt på 0,5 l/min eller lavere.* 4. Enheten overopphetet på grunn av blokkert luftinntak. 5. For lavt spenningsnivå i stikk-kontakten. 6. Nødvendig med reparasjoner i det elektriske anlegget. 	<ol style="list-style-type: none"> 1. Rengjør eller bytt ut filterne. 2. Se etter at det ikke er knekk eller blokkeringer. Korrigjer dette, rengjør eller bytt ut delen. Etter korreksjon slås spenningen AV i 60 sekunder, deretter slås spenningen PÅ igjen. 3. Kontroller at flowmeteret er satt til 1,0 l/min eller mer. Se Vanlige produktparametere. 4. <ol style="list-style-type: none"> a. Ta ut og rengjør kabinettfilterne. b. Flytt konsentratoren minst 30,5 cm vekk fra vegger, gardiner eller møbler. 5. Skjøteledninger skal IKKE brukes. Bytt til en annen stikk-kontakt eller en annen strømkurs. 6. Ta kontakt med strømleverandøren.
<p>GRØNN lampe lyser og GUL lampe blinker.</p>	<ol style="list-style-type: none"> 1. Nødvendig med reparasjoner i det elektriske anlegget. 	<ol style="list-style-type: none"> 1. Ta kontakt med strømleverandøren.

SYMPTOM	SANNSYNLIG ÅRSÅK	LØSNING
<p>Alarm:</p> <p>HURTIG</p> <p>Pip.....Pip...</p> <p>Pip....Pip</p>	<p>Alarm om mulig blokkering:</p> <ol style="list-style-type: none"> 1. Mulig innvendig blokkering av oksygentilførselen. Slangen, kanylen eller luftfukteren har en knekk eller er blokkert. 2. Strømningsmåleren er innstilt på 0,5 l/min eller lavere. 	<ol style="list-style-type: none"> 1. Se etter at det ikke er knekk eller blokkeringer. Korrigjer dette, rengjør eller bytt ut delen. Etter korreksjon slås spenningen AV i 60 sekunder, deretter slås spenningen PÅ igjen. 2. Nullstill strømningsmåleren til forskreven strømningshastighet. Strømningshastigheter lavere enn 1 l/min anbefales ikke. <p> Ved bruk av den pедиатriske gjennomstrømningsmåleren deaktiveres alarmen om mulig blokkering.</p>

10 Tekniske data

10.1 Typiske produktparametre

Elektriske krav:	230 VAC + 10, -15% (253 VAC/195.5 VAC), 50 Hz
Angitt strøminngang:	1,5 A
Lydnivå:	40 dBA max
Høyde over havet:	Opp til 1 828 meter over havet uten at konsentrasjonsnivåene reduseres. IKKE ANBEFALT FOR BRUK VED STØRRE HØYDE OVER HAVET ENN 1 828 METER Atmosfærisk trykkområde: 101,33 kPa — 81,22 kPa
Oksygenuttak Konsentrasjonsnivåer:	87% til 95.6% ved 0.5 til 5 l/min 93% ± 3% ved 2 l/min  Konsentrasjonsnivåer etter første oppvarmingsperiode (ca. 30 minutter)
Maksimalt utgangstrykk:	34,5 kPa ± 3,45 kPa (5 psi ± 0,5 psi)
Strømningsområde:	0,5 til 5 L/min (maksimum). For strømningshastigheter mindre enn 1 l/min, anbefaler vi bruk av Invacare pediatrik strømningsmåler tilbehør (IRCPF16AW).
Alarm om mulig blokkering:	0 l/min til 0.5 l/min Konsentratoren registrerer en mulig blokkering av oksygentilførselen. Raskt pulserende lydsignal (denne alarmeren deaktiveres når utstyr kobles til). Kan knyttes til en gjennomstrømningsinnstilling på 0,5 L/min eller mindre.
Strømforbruk:	Perfecto ₂ AW - 300 W @ 5 l/min, 280 W @ 3 l/min Perfecto ₂ VAW - 320 W @ 5 l/min

Trykkutløsningsmekanismen fungerer ved:	24 l kPa ± 24,1 kPa (35 psi ± 3,5 psi)
Endring i maksimal anbefalt strømningshastighet når et tilbaketrykk på 7k Pa settes på:	0,7 l/min
Filtre:	Kabinett, HEPA uttak og kompressorinntak.
Sikkerhetssystem:	Strømoverbelastning eller avstengning etter spenningstopp på linjen. Avstengning ved høy temperatur i kompressor. Alarm for høyt trykk m/kompressor avstengning. Alarm for lavt trykk m/kompressor avstengning. Alarm for spenningsutfall uten batteri. Alarm om mulig blokkering av SensO ₂ -oksygensystemet. SensO ₂
Bredde:	38,1 cm ± 1 cm (15 in ± 3/8 in)
Høyde:	58,4 cm ± 1 cm (23 in ± 3/8 in)
Dybde:	30,5 cm ± 1 cm (12 in ± 3/8 in)
Vekt:	Perfecto ₂ AW modeller - 20,5 kg ± 1 kg (45 lbs ± 2 lbs) Perfecto ₂ VAW modeller - 18,1 kg ± 1 kg (40 lbs ± 2 lbs)
Fraktvekt:	Perfecto ₂ AW Modeller - 22,7 kg ± 1 kg (50 lbs ± 2 lbs) Perfecto ₂ VAW Modeller - 20,4 kg ± 1 kg (45 lbs ± 2 lbs)
Betjening ved omgivende Temperatur:	10 °C - 35 °C ved 20-60 % relativ luftfuktighet.
Kabinett:	Slagfast flammehemmende plast kabinett i samsvar med UL 94-V0.
Ingen AP/APG	Ikke behørig for bruk i tilstedeværelse av en brannfarlig bedøvelsesblanding

Standarder og regelverk:	IEC/EN60601-1, A1, A2 IEC/EN60601-1-2 IEC/EN61000-3-2 IEC/EN61000-3-3, ISO8359 MDD 93/42/EEC, vedlegg I og IX
CE-merkede modeller	IRC5PO2AW/IRC5PO2VAW
Elektrisk:	Skjøteledninger skal ikke brukes.
Plassering:	Ikke nærmere enn 30,5 cm (12 tommer) fra vegger, møbler, gardiner og lignende for å sikre tilstrekkelig luftgjennomstrømning. Unngå å plassere utstyret ved dype filttepper, ovner, radiatorer eller varmeregulatorer. Skal bare plasseres på gulvet. Må ikke plasseres i trange rom (eksempel: skap).
Slanger:	2,1 m kanyle med maksimalt 15,2 m uknuselig slange (MÅ IKKE klemmes).
Brukstid:	Opptil 24 timer i døgnet.
Anbefalt temperatur ved lagring og frakt:	-29 °C til 65 °C ved 15-95 % relativ fuktighet.
Miljø:	Fri for røyk og sot Ikke innesperrete områder (Eksempel: Ingen garderobeskap)
Minste brukstid:	30 minutter

Notes

Innehållsförteckning

Denna handbok MÅSTE levereras till slutanvändaren. INNAN produkten används, läs handboken och spara den för framtida referens.

I Generellt	132
1.1 Symboler	132
1.2 Avsedd användning	134
1.3 Beskrivning	134
1.4 Kontraindikationer	135
2 Säkerhet	136
2.1 Placering av märkplåtar	136
2.2 Allmänna riktlinjer	137
2.3 Radiofrekvensinterferens	140
3 Funktioner	141
3.1 Identifiering av komponenterna	141
4 Tillbehör	143
4.1 Extra tillbehör	143
5 Inställningar	144
5.1 Packa upp	144
5.2 Inspektion	144
5.3 Förvaring	144
6 Användande	145
6.1 Introduktion	145
6.2 Välj en plats	145
6.3 Montera koncentratorn	146
6.3.1 Montera befuktaren	146
6.3.2 Starta koncentratorn	148
6.3.3 Flödes hastighet	149
6.3.4 SensO ₂ Indikatorlampor för renheten i syret	149
6.3.5 Initial startprocedur för koncentratorn	149

6.3.6 Förklaring till indikatorlamporna för syrgasens renhet	150
6.3.7 Tidräknare (timmätare)	150

7 Underhåll	151
7.1 Rengöring av höljet	151
7.2 Rengöra skåpfilter	152
7.3 Rengöra och värmedesinficera befuktaren	153
7.4 Rengöra och desinficera mellan patienter	153
7.5 Checklista för förebyggande underhåll	154
8 Återanvändning	155
8.1 Återvinningsinformation	155
8.2 Slitage	155
9 Felsökning	156
9.1 Felsökning	156
10 Teknisk data	159
10.1 Vanliga produktparametrar	159

I Generellt

I.1 Symboler

I den här bruksanvisningen används symboler och signalord som gäller risker eller osäker användning som kan orsaka skada på person eller egendom. Se följande tabell för definitioner av symbolerna och signalorden.



FARA!

– ”Fara” informerar om en riskfylld situation som leder till allvarlig skada eller dödsfall om den inte undviks.



VARNING!

– ”Varning” informerar om en riskfylld situation som kan leda till allvarlig skada eller dödsfall om den inte undviks.



FÖRSIKTIGT!

– ”Försiktigt” informerar om en riskfylld situation som kan leda till skada på egendom, lindrig personskada eller bådadera om den inte undviks.



Ger användbara råd, rekommendationer och information för en effektiv och problemfri användning.

Symboler i dokumentationen



Läs manual



Ingen rökning



Ingen öppen låga



Klass II, dubbelisolerad



Växelström



Klass BF-utrustning



Återvinn



Får INTE slängas i hushållsavfallet



elektrisk fara



Håll torr



EG-representant



Tillverkare



Ring leverantör



Den här produkten uppfyller kraven i direktiv 93/42/EEG om medicintekniska produkter.

Lanseringsdatum för den här produkten anges i EG-försäkran om överensstämmelse.

Mer information om CE-märkning finns under Typiska produktparametrar.

Symboler på produkten





Enheten påslagen



Enheten avstängd

O₂-indikator

Symbol	O ₂ -renhet	Indikatorlampor (LED)
O ₂	SYSTEM OK O ₂ över 85 %	GRÖN indikatorlampa
	O ₂ Mellan 73 % och 85 %	GUL indikatorlampa A. Fast GULT ljus B. Blinkande GULT ljus, sensor- fel Kontakta kvalificerad tekniker.
	SYSTEMFEL O ₂ under 73 %	RÖD indikatorlampa Ihållande ljudlarm, Sieve-GARD™ -kompressor- avstängning

1.2 Avsedd användning

Syrgaskoncentratoren är avsedd för individuellt bruk hos patienter med respiratoriska sjukdomar som behöver extra syrgas. Den är inte avsedd att användas för livsuppehållande eller livräddande ändamål.



FARA!

RISK FÖR PERSONSKADOR ELLER DÖDSFALL

Produkten är avsedd att användas som ett syrgastillskott och inte som livsuppehållande eller livräddande utrustning. Använd ENDAST produkten om patienten klarar av spontana andetag och kan andas in och ut utan att använda en maskin.

- ANVÄND INTE produkten parallellt eller tillsammans med andra oxygenkoncentratorer eller annan syrgasterapiutrustning.



FARA!

RISK FÖR PERSONSKADOR ELLER DÖDSFALL

Patienter som står på flödes hastigheter över 5 l/m kan löpa större risk för allvarlig skada vid ett eventuellt funktionsfel, beroende på deras respektive medicinska tillstånd.

- Diskutera ALLTID denna ökade risk med vårdpersonalen INNAN du använder den här produkten om du har ordinerats en flödes hastighet som är högre än 5 l/m.



FARA!

RISK FÖR PERSON- ELLER SAKSKADOR

Även om Invacare strävar efter att erbjuda marknadens bästa syrgaskoncentrator så kan strömavbrott eller funktionsfel göra att den här syrgaskoncentratoren inte producerar någon syrgas.

- Ha ALLTID en alternativ syrgaskälla nära till hands.
- Om koncentratoren inte kan producera syrgas avger den ett larm som uppmanar patienten att byta till alternativ syrgaskälla. Mer information finns i avsnittet Felsökning.



VARNING!

RISK FÖR PERSON- ELLER SAKSKADOR

Användning av produkten utanför avsett användningsområde och avsedda produktparametrar har inte testats och kan leda till produktskada, förlust av produktfunktion eller personskada.

- ANVÄND INTE produkten på något annat sätt än vad som beskrivs i avsnitten om produktparametrar och avsedd användning i den här bruksanvisningen.

1.3 Beskrivning

Koncentratoren Invacare Perfecto₂ är avsedd för patienter med respiratoriska sjukdomar som behöver extra syre. Den är inte avsedd att användas för livsuppehållande eller livräddande ändamål.

Oxygenkoncentrationsnivån i utgångsgasen varierar från 87 % till 95,6 %. Oxygenet ges till patienten genom användning av en näskanyl.

Koncentratoren Invacare Perfecto₂ använder sig av molekylsiktning och PSA-metoden för att producera den syrgas som matas ut. Luft från omgivningen sugas in i apparaten, filtreras och komprimeras. Den

komprimerade luften leds sedan till en av två kväveadsorberande siktbäddar.

Koncentrerad syrgas kommer ut i andra änden av den aktiva siktbädden och leds in i en syrgasbehållare där den tillförs till patienten.

Koncentratoren Invacare Perfecto₂ kan användas av patienten i hemmet eller i vårdmiljö. Apparaten drivs med en nominell strömförbrukning på 230 VAC/50 Hertz.



Båda koncentratormodellerna (IRC5PO2AW och IRC5PO2VAW) har exakt samma driftparametrar. Den enda skillnaden är produkternas vikt och strömförbrukning. Se Typiska produktparametrar.

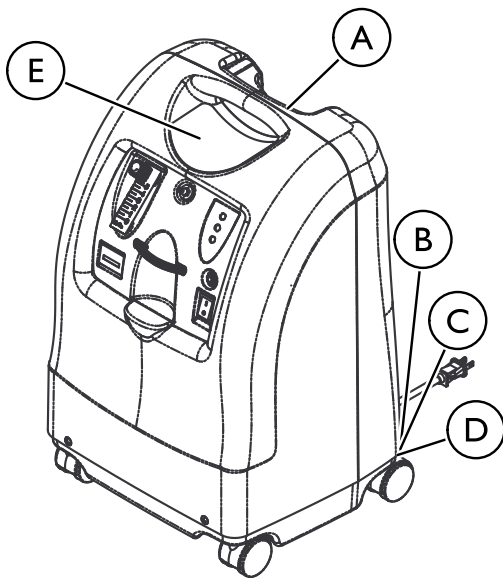
Serviceinformation tillhandahålls på begäran, dock endast till behöriga tekniker.

1.4 Kontraindikationer

Invacare känner inte till några kontraindikationer för Invacare Perfecto₂ Concentrator-serien.

2 Säkerhet

2.1 Placering av märkplåtar



A	Serienummerplåten finns på enheten med resonator/intag.
B	Specifikationsplåten sitter längst ner på koncentratorns baksida.
C	Märkning om EU-representant finns på underredet.

D	<p>Märkning om ftalater finns på underredet.</p> <div style="border: 1px solid black; border-radius: 15px; padding: 10px; margin: 10px;"> <p style="text-align: center;">Perfecto₂™</p> <p style="text-align: center;">SE BRUKSANVISNINGEN ELLER KONTAKTA DIN LEVERANTÖR AV HEMVÅRDSUTRUSTNING FÖR INSTRUKTIONER OM SÄKER ANVÄNDNING, LARM, LJUDSIGNALER OCH ANVÄNDNING AV TILLBEHÖR.</p> <hr/> <p>⚠ FARA BRANDRISK – INGEN RÖKNING OCH INGA ÖPPNA LÅGOR ELLER ANTÄNDNINGSKÄLLOR</p> <p>INGA antändningskällor får finnas i det rum där produkten är placerad eller i närheten av de områden där syrgasbehandling ges. I syreberikad luft kan textilier, olja och andra lättantändliga material lätt antändas och brinna kraftigt.</p> <p>⚠ FARA RISK FÖR ELEKTRISKA STÖTAR </p> <p>Ta INTE bort kåpan. Vänd dig till utbildad servicepersonal för service.</p> <p style="text-align: right;">HomeFill® II Kompatibilitet</p> </div>
E	<div style="border: 1px solid black; border-radius: 15px; padding: 10px; margin: 10px;"> <p style="text-align: center;">Perfecto₂™ V</p> <p style="text-align: center;">SE BRUKSANVISNINGEN ELLER KONTAKTA DIN LEVERANTÖR AV HEMVÅRDSUTRUSTNING FÖR INSTRUKTIONER OM SÄKER ANVÄNDNING, LARM, LJUDSIGNALER OCH ANVÄNDNING AV TILLBEHÖR.</p> <hr/> <p>⚠ FARA BRANDRISK – INGEN RÖKNING OCH INGA ÖPPNA LÅGOR ELLER ANTÄNDNINGSKÄLLOR</p> <p>INGA antändningskällor får finnas i det rum där produkten är placerad eller i närheten av de områden där syrgasbehandling ges. I syreberikad luft kan textilier, olja och andra lättantändliga material lätt antändas och brinna kraftigt.</p> <p>⚠ FARA RISK FÖR ELEKTRISKA STÖTAR </p> <p>Ta INTE bort kåpan. Vänd dig till utbildad servicepersonal för service.</p> <p style="text-align: right;">HomeFill® II Kompatibilitet</p> </div>

2.2 Allmänna riktlinjer

För att säkerställa att koncentratorn installeras, monteras och drivs på ett säkert sätt **MÅSTE** nedanstående instruktioner följas.



FARA!

Risk för dödsfall, skada eller sakskada

Felaktig användning av den här produkten kan orsaka dödsfall, personskada eller sakskada. Det här avsnittet innehåller viktig information om säker drift och användning av den här produkten.

- Använd **INTE** den här produkten eller någon tillvalsutrustning innan du helt och hållet har läst och förstått dessa instruktioner och eventuellt ytterligare instruktionsmaterial, såsom bruksanvisningar, servicehandböcker eller instruktionsblad som medföljer produkten eller tillvalsutrustningen.
- Om du inte kan förstå varningarna eller instruktionerna ska du kontakta hälso- eller sjukvårdspersonal, återförsäljaren eller teknisk personal innan du använder utrustningen.
- Kontrollera **ALLA** externa komponenter och förpackningen för att säkerställa att inget är skadat. Om någon komponent är skadad eller produkten inte fungerar som den ska kontaktar du en tekniker eller Invacare för reparation.
- **INFORMATIONEN I DET HÄR DOKUMENTET KAN ÄNDRAS UTAN FÖREGÅENDE MEDDELANDE.**



FARA!

Risk för dödsfall, skada eller skada från brand

Textiler, olje- eller petroleumämnen, fett, feta ämnen och andra brännbara ämnen antänds lätt och brinner med stor intensitet i syrgasberikad luft och vid kontakt med syre under tryck. Så här undviker du brand, dödsfall, person- eller sakskada:

- **RÖKNING ÄR FÖRBJUDEN** vid användning av den här enheten.
- Använd **INTE** nära **INGA ÖPPNA LÅGOR** eller **ANTÄNDNINGSKÄLLOR**.
- Använd **INGA** smörjmedel på koncentratorn, såvida det inte rekommenderas av Invacare.
- Skyltar med texten **RÖKNING FÖRBJUDEN** ska vara väl synliga.
- Hindra uppkomsten av gnistor nära syrgasutrustning. Detta omfattar gnistor från statisk elektricitet som skapas genom friktion.
- Inga tändstickor, tända cigaretter eller andra antändningskällor får finnas i det rum där koncentratorn är placerad eller i närheten av där syrgasbehandling ges.
- Håll syrgasslangar, sladdar och koncentratorn på avstånd från föremål som filter, sängöverkast, stolsdynor och kläder samt på avstånd från uppvärmda eller heta ytor, exempelvis värmeelement, kaminer och liknande elektriska apparater.



FÖRSIKTIGT!

Försäljning och uthyrning av den här enheten får enligt lag endast utföras av eller på ordination av en läkare som legitimerats av en statlig myndighet där han eller hon utövar sitt yrke.

- ENDAST en legitimerad läkare kan beordra köp eller användning av denna enhet.



FARA!

Risk för dödsfall, skador från elektrisk stöt

Så här minskar du risken för brännskador, elstötar, dödsfall eller personskada:

- Ta INTE isär enheten. Vänd dig till utbildad servicepersonal för service. Inga delar som kan underhållas av användaren.
- Undvik användning när du badar. Om kontinuerlig användning krävs enligt läkares ordination måste koncentratorn placeras i ett annat rum minst 2,5 m från badet.
- Vidrör INTE koncentratorn om du är blöt.
- Placera eller förvara INTE koncentratorn där det finns risk för att den kan trilla ned i vatten eller annan vätska.
- Sträck dig INTE efter en koncentrator som har trillat i vattnet. Dra OMEDELBART ut kontakten.
- Strömkablar som är slitna eller skadade får inte användas.



VARNING!

Risk för personskador eller produktskador

- Invacares produkter är särskilt utformade och tillverkade för att användas med tillbehör från Invacare. Tillbehör från andra tillverkare har inte testats av Invacare, och vi rekommenderar inte att sådana används tillsammans med Invacare-produkter.
- Det finns många olika typer av befuktare, syrgasslangar, kanyler och masker som kan användas tillsammans med den här apparaten. Rådgör med vårdpersonalen/hjälpmedelscentralen om vilken utrustning som passar bäst för dig. De ska också ge dig anvisningar om korrekt användning, underhåll och rengöring.



FARA!

Risk för personskador eller dödsfall

Så här undviker du kvävning eller intag av kemikalier från luftburna föroreningar:

- Använd INTE koncentratorn i närvaro av föroreningar, rök, ångor, brandfarliga anestetika, rengöringsmedel eller kemiska ångor.



VARNING!

Risk för personskador eller dödsfall

Så här undviker du personskador eller dödsfall som orsakas av felaktig användning av produkten:

- Övervaka noggrant när koncentratorn används av eller i närheten av barn eller rörelsehindrade personer.
- Övervaka patienter som använder enheten och som inte kan höra eller se larm eller kommunicera obehag.

**VARNING!****Risk för personskador eller dödsfall**

Så här gör du för att undvika att någon kvävs och/eller stryps av slangarna:

- Håll barn och husdjur borta från näskanylen och slangarna.
- Noggrann övervakning krävs när näskanylen används av eller i närheten av barn och/eller personer med funktionsnedsättningar.

**VARNING!****Risk för personskador eller dödsfall**

Så här minskar du risken för personskada eller dödsfall av sjukdom:

- Byt näskanylen regelbundet. Kontrollera med återförsäljare eller läkare för att avgöra hur ofta kanylen bör bytas ut.
- Använd INTE samma kanyl på mer än en patient.

**VARNING!****Risk för personskador**

En höjdförändring kan påverka den totala tillgängliga mängden syre. Så här undviker syrebrist:

- Rådgör med din läkare innan du reser till platser på högre eller lägre höjder för att avgöra om dina flödesinställningar bör ändras.

**VARNING!****Risk för person- eller sakskador**

Så här undviker du personskador eller skada som orsakas av felaktig kabelanvändning:

- Flytta INTE eller omlacera inte koncentratorn genom att dra i kabeln.
- Använd INTE förlängningsladdar med de AC-strömadaptrar som tillhandahålls.
- Förvara och placera kablar och/eller sladdar korrekt för att förhindra att någon snubblar.

**VARNING!****Risk för person- eller sakskador**

Så här undviker du personskador eller skada som orsakas av felaktig användning:

- Lämna ALDRIG koncentratorn utan uppsikt när den är inkopplad.
- Kontrollera att koncentratorn är avstängd när den inte används.
- Om koncentratorn ska användas utomhus MÅSTE den drivas av det interna batteriet eller extrabatteriet.



VARNING!

Risk för person- eller sakskador

Invacares oxygenkoncentratorer är särskilt utformad för att minimera de förebyggande underhållsrutinerna. Så här undviker du person- eller sakskador:

- Endast yrkesverksamma inom hälsovårdsområdet eller personer som är helt insatta i denna process, såsom fabriksutbildad personal, bör utföra förebyggande underhåll eller prestandajusteringar på oxygenkoncentratorn, med undantag för uppgifter som beskrivs i den här bruksanvisningen.
- Kontakta din leverantör eller hjälpmedelscentral för service.



FÖRSIKTIGT!

Risk för produktskada

Så här undviker du skada som orsakas av inträngande vätska:

- Om koncentratorn inte fungerar som den ska, om den har tappats eller skadats eller om den har ramlat ned i vatten ringer du utrustningsleverantören/en kvalificerad tekniker för att få den undersökt och reparerad.
- **INGA** föremål eller vätska får tappas ned eller stoppas in i någon öppning.
- Invacare rekommenderar inte att koncentratorn används i regn.

2.3 Radiofrekvensinterferens



VARNING!

Risk för personskador eller produktskador

Så här minskar du risken för personskador eller produktskador pga störningar från trådlös utrustning:

- Håll koncentratorn på minst 3 meters (9,8 fot) avstånd från trådlös kommunikationsutrustning som enheter för trådlösa hemmanätverk, mobiltelefoner, sladdlösa telefoner och basstationer, walkie-talkies osv.

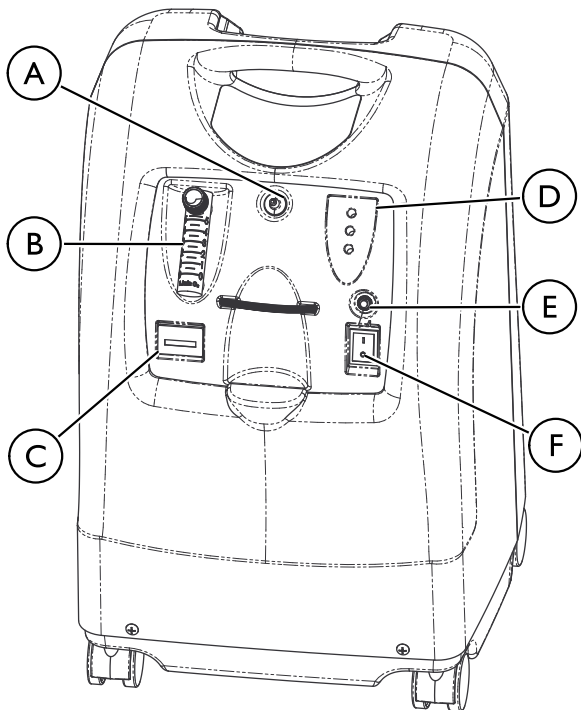
Den här utrustningen har testats och befunnits överensstämma med EMC-gränsvärdena som anges i IEC/EN 60601-1-2. Dessa gränsvärden har bestämts för att ge rimligt skydd mot elektromagnetiska störningar i en typisk medicinsk installation.

Andra enheter kan störas även av de lägsta nivåerna av elektromagnetisk strålning som tillåts av ovannämnda standarder. För att avgöra om det är strålningen från koncentratorn som orsakar störningen ska du stänga av koncentratorn. Om störningen av driften av de andra enheterna upphör är det koncentratorn som orsakar störningen. I sådana sällsynta fall kan störningen minskas eller åtgärdas på något av följande sätt:

- Vrid, flytta eller öka avståndet mellan utrustningen.
- Anslut utrustningen till en kontakt på en annan krets än den som de andra enheterna är anslutna till.

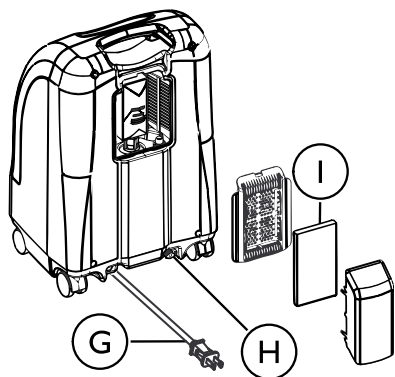
3 Funktioner

3.1 Identifiering av komponenterna



(A)	Syrgasutlopp
(B)	Flödesmätare
(C)	Tidräknare
(D)	Indikatorlampor för syrets renhetsgrad och feltillstånd /feloch strömindikatorlampor
(E)	Överspänningsskydd
(F)	Strömbrytare

Bakåtsikt



Ⓒ	Nätkabel
Ⓗ	Uttag för HomeFill
Ⓘ	Skåpfilter

i HomeFill-uttaget Ⓗ är endast avsett för att fylla syrgastuber med hjälp av HomeFill-syrgaskompressorn för hemmabruk. Uttaget påverkar inte koncentratorns prestanda. Anvisningar för anslutning och användning finns i bruksanvisningen till HomeFill. När uttaget inte används ska det förslutas med proppen som medföljer koncentratorn. Kontakta din hjälpmedelscentral om du önskar mer information om HomeFill.

4 Tillbehör

4.1 Extra tillbehör

Det finns många olika typer av befuktare, syrgasslangar, kanyler och masker som kan användas tillsammans med den här apparaten. Rådgör med vårdpersonalen/hjälpmiddelscentralen om vilken utrustning som passar bäst för dig. De ska också ge dig anvisningar om korrekt användning, underhåll och rengöring.

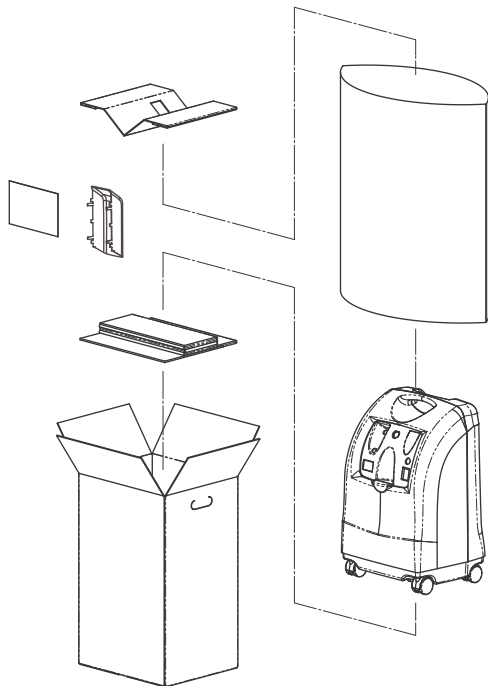
För patientens och andra personers säkerhet måste det finnas ett sätt att förhindra brandspridning i de tillbehör för syrgastillförsel (näskanyl, mask, slangar, befuktare o.s.v.) som används för att ge patienten syrgas. Om en vanlig flödesbrytare som aktiveras vid brand används tillsammans med tillbehören ska den placeras så nära patienten som möjligt.

Följande extra tillbehör och reservdelar (se nedan) finns också tillgängliga:

- Näskanyl vuxen, standardtyp 2,1 m (7 fot) - M3120
- Standardbefuktare – Invacare art.nr I155719
- PreciseRX™ pediatrik befuktare/flödesmätare, tillbehör - IRCPF16AW
- HomeFill syrgaskompressor för hemmabruk - IOH200AW
- Hållare för befuktarflaska – M1521
- Syrgastillförselslang 2,1 m (7 fot) – MS4107
- Syrgastillförselslang 6,3 m (21 fot) – MS4121
- Syrgasslanganslutning – MS4301

5 Inställningar

5.1 Packa upp



1. Kontrollera om det finns några uppenbara skador på kartongen eller innehållet. Om skadan är uppenbart underrätta transportören eller din lokala återförsäljare.
2. Avlägsna alla lösa emballagedelar från kartongen.
3. Lyft försiktigt upp alla komponenter ur kartongen.



Om syrgaskoncentratorn inte ska användas OMEDELBART ska du lämna koncentratorn i förpackningen för förvaring tills du behöver använda den.

5.2 Inspektion

1. Inspektera/undersök koncentratorn utvändigt för att upptäcka eventuella hack, sprickor, repor eller andra skador.
2. Inspektera alla komponenter.

5.3 Förvaring

1. Förvara den förpackade syrgaskoncentratorn på en torr plats. Information om förvaringstemperatur finns under Typiska produktparametrar.
2. Placera INTE andra föremål ovanpå den förpackade enheten.

6 Användande

6.1 Introduktion

Syrgaskoncentratoren är avsedd för individuellt bruk inomhus. Det är en elektroniskt styrd enhet som separerar syrgas från rumsluften. Den förser dig med höga koncentrationer syrgas via en näskateter. Kliniska studier har visat att behandling med syrgaskoncentratorer är likvärdig andra typer leveranssystem för syrgas.

Din leverantör visar dig hur syrgaskoncentratoren ska användas. Det är också leverantören du bör kontakta om du har frågor eller problem när det gäller syrgaskoncentratoren. Den här användarhandboken innehåller information om koncentratoren och fungerar som referens under användningen.

6.2 Välj en plats



VARNING!

Risk för person- eller saksador

För att undvika person- eller saksador från luftföroreningar och/eller rök och för optimal prestanda:

- Placera den bärbara koncentratoren på en väl ventilerad plats så att luftintaget och luftutflödena inte är blockerade.
- Blockera ALDRIG koncentratorns luftöppningar och placera den aldrig på ett mjukt underlag, t.ex. en säng eller soffa, där luftöppningarna kan blockeras.
- Håll öppningarna fria från ludd, hår och liknande.
- Håll koncentratoren minst 30,5 cm från väggar, gardiner och möbler.
- Använd inte koncentratoren i närvaro av föroreningar, rök eller ångor, brandfarliga anestetika, rengöringsmedel eller kemiska ångor.
- Placera koncentratoren i ett väl ventilerat område för att undvika luftföroreningar och/eller rök.
- Den får INTE användas inuti ett skåp.



VARNING!

Risk för personsador

Så här undviker du personsador under behandling:

- Syrgaskoncentratoren **MÅSTE** placeras på en plan yta när den ska användas.
- Flytta **INTE** på syrgaskoncentratoren när den används.

Välj ett rum i ditt hem som känns som den mest bekväma platsen att använda syrgaskoncentratoren på. Koncentratoren kan enkelt rullas från rum till rum i sin ställning.

Din syrgaskoncentrator fungerar bäst när den drivs enligt de villkor som anges i typiska produktparametrar.

Användning under andra förhållanden än de som beskrivs kan resultera i ett ökat underhållsbehov. Det är viktigt att enhetens luftintag placeras på en plats med god ventilation för att undvika luftburna föroreningar och/eller ångor.

6.3 Montera koncentratorn

1. Anslut nätkabeln till ett eluttag.
2. Anslut befuktaren (om detta är ordinerat)

6.3.1 Montera befuktaren



WARNING!

Risk för person- eller sakskador

Följ nedanstående anvisningar för att undvika brännskador från ånga eller hett vatten, inandning av vatten och/eller vattenskador på koncentratorn:

- Fyll **INTE** befuktarflaskan med varmt vatten. Låt vatten som kokats svalna till rumstemperatur innan du fyller flaskan.
- Överfyll **INTE** befuktaren.
- Sätt tillbaka korken på befuktaren och dra åt ordentligt. Kontrollera att korken på befuktarens flaska inte är felgängad.
- Byt **INTE** plats på ingångs-/utgångsanslutningarna för syrgas. Om du byter plats på anslutningarna kommer vatten från befuktarflaskan att ledas genom kanylen till patienten.
- Om slanganslutningar som är längre än 2,1 m (7 fot) används ska befuktaren placeras så nära patienten som möjligt för maximal befuktning.



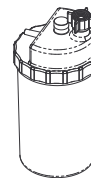
WARNING!

Risk för person- eller sakskador

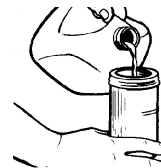
Om befuktarflaskan eller andra tillbehör monteras felaktigt på koncentratorn kommer detta att påverka syrgasflödet.

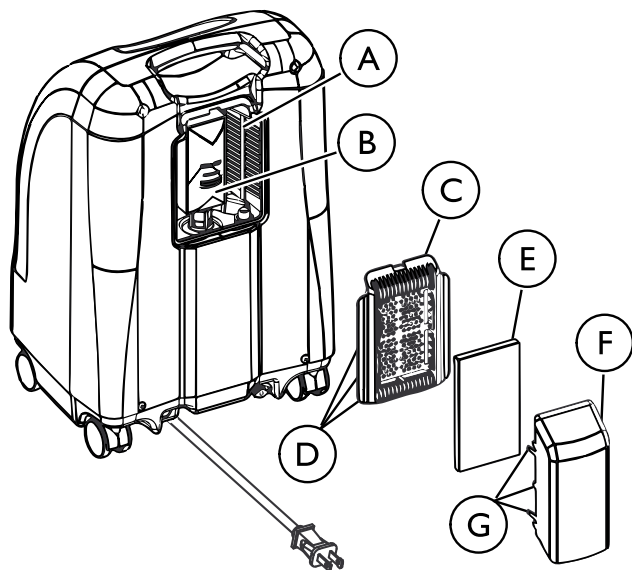
- Du kan kontrollera om syrgaskoncentratorn och dess tillbehör fungerar korrekt genom att placera änden på näskanylen under vattenytan i en halvfull mugg med vatten och se om det kommer bubblor.
- Om det inte kommer några bubblor ska du kontrollera alla anslutningar (inklusive befuktarflaskan och andra tillbehör i förekommande fall) och göra om testet. Kontakta omedelbart leverantören eller vårdpersonalen om det fortfarande inte kommer några bubblor.

Befuktarbehållaren med Cap



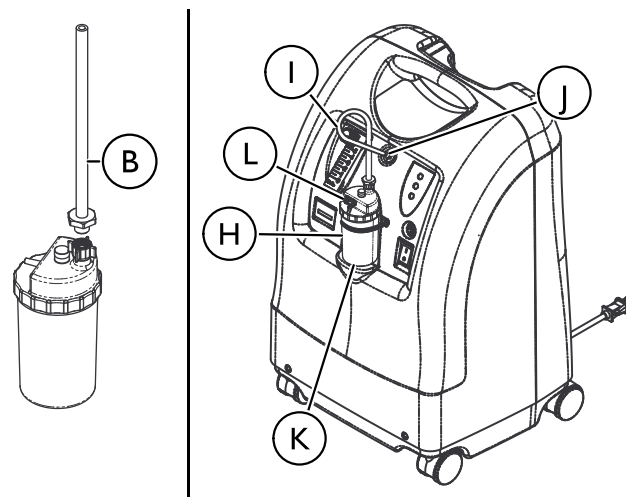
Befuktarbehållaren utan lock





1. Ta bort korken från flaskan.
2. Fyll befuktarflaskan med kranvatten som fått koka eller med flaskvatten till den nivå som markerats av tillverkaren. Koka kranvatten i cirka 10 minuter och låt svalna till rumstemperatur innan du använder det.
3. För in en rak skruvmejsel i skåran på övre kanten av filterluckan © och bänd försiktigt loss filterluckan.
4. Dra upp och ta bort befuktarflaskans adapter ② (bredvid luftintagsfiltret).


5. Sätt tillbaka filterluckan och installera luftbehållaren ④ på filterluckan genom att trycka in de sex flikarna © på luftbehållaren i de sex skårorna ③ på sidorna av filterluckan.



6. Anslut den till befuktaren genom att vrida vingmuttern på befuktarbehållaren ④ moturs tills den sitter stadigt.

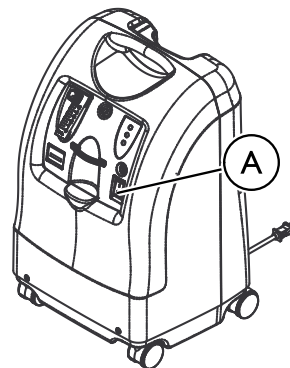
7. Välj var enheten med befuktarflaskan och adaptern ska placeras:

- När befuktarflaskan placeras i facket på koncentratorn ska befuktarflaskans/ adapters slang ① fästas i syrgasutloppsanslutningen ① på koncentratorn.
- Om du vill ha befuktarflaskan bredvid patienten placerar du enheten med befuktarflaskan/adaptren i hållaren för befuktarflaskan ② (M1521, se Tillval och tillbehör) och ställer den på en plan yta så nära patienten som möjligt. Fäst en syrgasslanganslutning (MS4301, se Tillval och tillbehör) i änden av befuktarflaskans/adapters slang. Fäst ena änden av syrgastillförselslangen (MS4107 eller MS4121, se Tillval och tillbehör) i den fria änden av syrgasslanganslutningen och den andra änden i syrgasutloppsanslutningen på koncentratorn.


 Om slanganslutningar som är längre än 2,1 m (7 fot) används ska befuktaren placeras så nära patienten som möjligt för maximal befuktning.

8. Fäst tillförselslangen för patientens näskanyl i befuktarflaskans utlopp ④.
9. När monteringen är klar ska du kontrollera att syrgasen strömmar via kanylen.

6.3.2 Starta koncentratorn



1. Tryck strömbrytaren ⑤ till läget På.

 Alla indikatorlampor tänds och larmet aktiveras under en sekund för att tala om att enheten fungerar som den ska.

6.3.3 Flödes hastighet

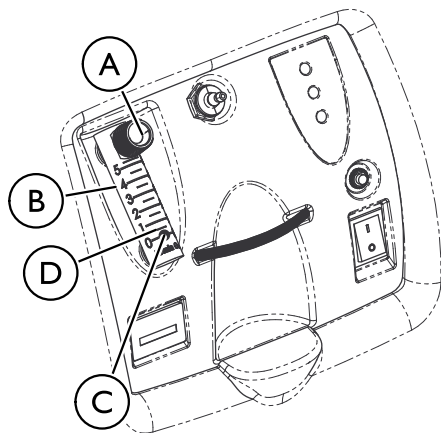


VARNING!

Risk för personskador

Följ dessa anvisningar för att undvika skador till följd av för mycket eller för lite syre:

- Ändra **INTE** inställningen för L/min. på flödesmätaren såvida din läkare inte har ordinerat en sådan ändring.



Flödet får inte ställas in högre än den RÖDA ringen. Om flödes hastigheten överstiger 5 l/min minskar syrekonzentrationen.

1. Vrid ratten för flödes hastighet **A** till den inställning som läkaren ordinerat.



För att kunna avläsa flödesmätaren **B** korrekt börjar du med att lokalisera linjen för den ordinerade flödes hastigheten på mätaren. Vrid sedan på ratten tills kulan stiger **C** upp till linjen. Nu placeras du kulan mitt på den ordinerade L/min-linjen.

2. Om flödes hastigheten på flödesmätaren sjunker under 0,5 l/min **D** I mer än en minut aktiveras larmet om eventuell tilltäppning. Det är ett ljudlarm som består av snabba pipsignaler. Kontrollera att slangar och tillbehör inte är tilltäppta eller veckade och att befuktarbehållaren inte är skadad. När flödes hastigheten återigen ligger mellan 0,5 l/min och 0,75 l/min stängs larmet om eventuell tilltäppning av.



När vissa tillbehör används, t.ex. den pediatrika flödesmätaren PreciseRx™ eller kompressorn HomeFill, inaktiveras larmet om eventuell tilltäppning.

6.3.4 SensO₂ Indikatorlampor för renheten i syret

Denna kontrollfunktion övervakar renheten i syret som genereras av syrgaskonzentratorn. Om renheten sjunker under de förinställda nivåerna tänds indikatorlampor på kontrollpanelen.

6.3.5 Initial startprocedur för koncentratorn

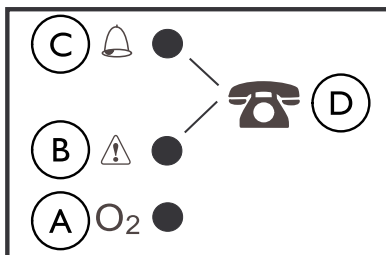


Konzentratorn kan användas under den initiala uppvärmningen (cirka 30 min.) fram tills O₂-renheten når sin maxnivå.

När enheten startas tänds den GRÖNA lampan (SYSTEM OK/O₂ högre än 85 %). Efter fem minuter fungerar syrgassensorn

normalt och kontrollerar indikatorlamporna beroende på syrgaskoncentrationsvärden.

6.3.6 Förklaring till indikatorlamporna för syrgasens renhet



	Lampa	Symbol	Förklaring
Ⓐ	GRÖN lampa	(O ₂)	Normal drift
Ⓑ	GUL lampa		Kontakta leverantören omedelbart. Du kan fortsätta att använda koncentratorn om inte leverantören säger något annat. Se till att det finns en syrgaskälla i reserv nära till hands.
Ⓒ	RÖD lampa		Enheten har slutat fungera. Byt omedelbart till alternativ syrgaskälla och kontakta leverantören.
Ⓐ/Ⓑ	GRÖN lampa och GUL blinkande lampa	(O ₂) och	Kontakta leverantören omedelbart. Fel på syrgassensorn. Du kan fortsätta att använda koncentratorn.
Ⓓ	—		Kontakta leverantör

6.3.7 Tidräknare (timmätare)

Tidräknaren visar det kumulativa antalet timmar som enheten har varit i drift. Se Komponentidentifiering för specifik plats.

7 Underhåll

7.1 Rengöring av höljet



FARA!

Risk för person- eller sakskador

Invacares syrgaskoncentratorer är särskilt utformade för att minimera de förebyggande underhållsrutinerna. Så här undviker du person- och produktskador:

- Endast behörig personal får utföra förebyggande underhåll på syrgaskoncentratorn.
- Ta INTE bort höljet.



FARA!

Risk för person- eller sakskador

Vätska skadar koncentratorns inre komponenter. Så här undviker du sak- eller personsador som orsakas av elektrisk stöt:

- Stäng av koncentratorn och dra ut strömkabeln innan koncentratorn rengörs.
- Låt INTE rengöringsmedel droppa in i luftinlopps- eller luftutloppsöppningar.
- Spraya eller applicera INTE rengöringsmedel direkt på höljet.
- Spola INTE produkten.



FÖRSIKTIGT!

Risk för skador på produkten

Hårda kemiska rengöringsmedel kan skada koncentratorn. Så här undviker du skador på koncentratorn:

- Rengör INTE höljet, bärvaskan eller filtret med alkohol eller alkoholbaserade produkter (isopropylalkohol), koncentrerade klorbaserade produkter (etylenklorid) och oljebaserade produkter (Pine-Sol[®], Lestoil[®]) eller andra starka kemiska medel. Använd endast mild flytande rengöringsmedel (som Dawn[™]).



Det förebyggande underhållet **MÅSTE** minst ske i enlighet med de intervaller som anges i protokollet för förebyggande underhåll. På platser med höga koncentrationer av damm eller sot kan det dock bli nödvändigt med tätare underhåll. Se checklisten för underhåll.

Rengör regelbundet koncentratorns hölje på följande sätt:

1. Använd en fuktig trasa eller svamp med ett mildt rengöringsmedel (exempelvis Dawn[™]) och rengör försiktigt höljets utsida.
2. Låt koncentratorn lufttorka eller torka den med en torr handduk innan du använder koncentratorn.

7.2 Rengöra skåpfilter



FÖRSIKTIGT!

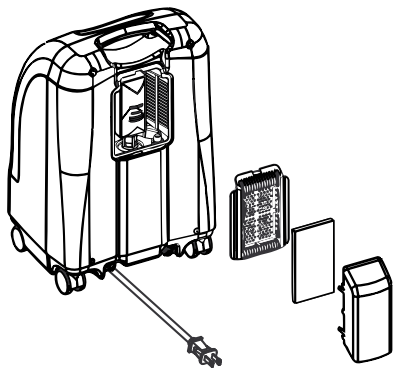
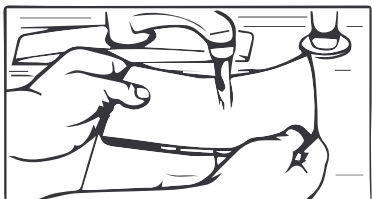
Risk för skador på produkten

Så här undviker du att filtret sätts igen:

- Använd INTE koncentratorn utan att ha luftintagsfiltret installerat.



Det finns ett filter på höljets baksida.



1. Rengör filtret om nödvändigt.



Miljöförhållanden som kräver tätare rengöring av filtren kan vara, men är inte begränsat till, höga halter av damm, rök och luftföroreningar.

2. Rengör skåpet filtret med en dammsugare eller tvätta med en mild flytande diskmedel (såsom Dawn™) och vatten. Skölj noga.
3. Torka filtret ordentligt och kontrollera att det inte har blivit slitet, gått sönder eller har fått revor eller hål. Byt ut filtret om du hittar någon skada.
4. Sätt tillbaka filtret.

7.3 Rengöra och värmedesinficera befuktaren



Rengör och desinficera syrgasbefuktaren dagligen för att minska kalkavlagringarna och för att bli av med eventuell bakteriekontaminering. Följ tillverkarens anvisningar. Om sådana saknas följer du dessa steg:

1. Tvätta befuktaren i tvålvatten och skölj med en lösning bestående av tio delar vatten och en del ättika.
2. Skölj ordentligt med varmt vatten.
3. Låt lufttorka ordentligt.



När befuktaren inte används bör du låta den lufttorka ordentligt efter rengöring så att bakterietillväxten begränsas. Se anvisningarna för montering.

7.4 Rengöra och desinficera mellan patienter



VARNING!

Risk för person- eller sakskador

Följ dessa anvisningar för att undvika infektioner och skada på koncentratorn:

- Endast behörig personal får utföra rengöring och desinfektion av syrgaskoncentratorn och dess tillbehör mellan patienter.



Följ dessa anvisningar för att utesluta eventuell patogen överföring på grund av kontaminerade komponenter eller tillbehör. Förebyggande underhåll ska vid behov utföras i detta skede.

1. Kassera och byt ut alla patienttillbehör som inte lämpar sig för att användas av flera patienter, inklusive men inte begränsat till följande:
 - Näskanyl och slangar
 - Mask
 - Befuktare
2. Utför de underhållsrutiner som beskrivs i den här bruksanvisningen samt alla punkter i checklistan för förebyggande underhåll.
3. Kontrollera koncentratorn beträffande eventuell extern skada eller tecken på att service eller reparation krävs.
4. Säkerställ att koncentratorn fungerar som den ska och att alla larm fungerar.
5. Innan koncentratorn packas in för att överlämnas till en ny patient ska du kontrollera att innehållet omfattar koncentrator, strömkabel, luftintagsbehållare, monteringsinstruktioner, befuktare, kanyl, etiketter och bruksanvisning.manual.

7.5 Checklista för förebyggande underhåll

Modellnr:

Serienr:

VID VARJE INSPEKTION							
Ange servicedatum							
Ange antal timmar som flörflutit på tidräknaren							
Rengör filtret/filtren på höljet							
Kontrollera den ordinerade flödes hastigheten l/min							
ÅRLIGEN, VID DET FÖREBYGGÅNDE UNDERHÅLLET ELLER MELLAN PATIENTER							
ENHETER MED SensO₂ — VAR 26 280 TIMMAR							
Kontrollera syrekonzentrationen*							
Rengör/byt ut filtret/filtren på höljet							
Kontrollera/Byt ut HEPA-utloppsfiltrat*							
Kontrollera/Byt ut kompressorns inloppsfilter*							
Kontrollera syrgaskonzentrationen							



26 820 timmar motsvarar användning dygnet runt hela veckan i 3 år.

*Ska utföras av leverantören eller behörig servicetekniker. Se servicemanualen.

8 Återanvändning

8.1 Återvinningsinformation

Den här produkten levereras av en miljömedveten tillverkare som uppfyller direktiv 2012/19/EU om avfall som utgörs av eller innehåller elektriska eller elektroniska produkter (WEEE). Produkten kan innehålla ämnen som kan vara skadliga för miljön om den slängs på platser (deponier) som inte är lämpliga enligt lagstiftningen.

Följ gällande lokala bestämmelser och återvinningsplaner för kassering av koncentratorn eller sådana komponenter som normalt används tillsammans med den. Koncentratorn ger inte upphov till något avfall eller några restprodukter vid drift.

- Koncentratorn får **INTE** slängas i vanligt hushållsavfall.
- Alla tillbehör som inte utgör någon del av koncentratorn **MÅSTE** hanteras i enlighet med den separata märkning gällande kassering som finns på dem.
- Intern batteripack och reservbatteripack får **INTE** kasseras. Batteripack ska returneras till återförsäljaren/leverantören.

Invacare® arbetar ständigt för att se till att företaget påverkar lokal och global miljö så lite som möjligt. Vi följer gällande miljölagstiftning (t.ex. WEEE- och RoHS-direktiven). Vi använder endast material och komponenter som följer REACH-direktivet.

8.2 Slitage

Invacare förbehåller sig rätten att återkalla alla komponenter som har något påstått fabriksfel. Specifik garantiinformation finns i garantin som medföljer produkten.

Anvisningar om korrekta intervall för förebyggande underhåll samt användning av produkten finns i bruksanvisningen.

Detta är enbart en allmän vägledning och omfattar inte komponenter som skadats på grund av missbruk eller våld. Livslängden påverkas av många faktorer.

Nedan finns en lista över de produktkomponenter som utgör slitagedelar.

- Alla typer av filter
- Alla typer av slangar
- Alla typer av batterier, inklusive bly/litium, knappcells batterier (klocktyp) och gel (6 månader)




Sikten består av ett poröst filtermaterial och betraktas som en slitagedel. Faktorer som kan påverka siktmaterialens livslängd är bland annat luftfuktighet, temperatur, partiklar, luftföroreningar, luftintag, vibrationer och andra miljöförhållanden.

9 Felsökning

9.1 Felsökning


SYM TOM	TROLIG ORSAK	LÖSNING
<p>Larm:</p> <p>Korta pip, lång paus</p> <p>Koncentratoren fungerar inte, strömbrytaren påslagen.</p> <p>Pip.....pip.....</p>	<p>Större energiförlust:</p> <ol style="list-style-type: none"> 1. Nätkabel INTE ansluten. 2. Ingen nätström. 3. Överspänningsskyddet aktiverat. 	<ol style="list-style-type: none"> 1. Anslut nätkabeln. 2. Kontrollera lokalernas överspänningsskydd eller säkringar. Om problemet upprepas kan du försöka med ett annan vägguttag. 3. Tryck in/återställ effektbrytaren. Kontakta serviceleverantören om problemet kvarstår.
<p>Larm:</p> <p>Ihållande</p> <p>Koncentratoren fungerar inte, strömbrytaren påslagen.</p> <p>Piiiiiiiiip...</p>	<p>Systemfel:</p> <ol style="list-style-type: none"> 1. Enheten överhettad p.g.a. blockerat luftintag. 2. Otillräcklig uteffekt. 3. Invändig reparation krävs. 	<ol style="list-style-type: none"> 1. <ol style="list-style-type: none"> a. Ta bort och rengör skåpfiltren. b. Flytta syrgaskoncentratoren minst 30,5 cm från väggar, draperier eller möbler. 2. Använd INTE förlängningssladdar. Byt till ett annat eluttag eller strömkrets. 3. Kontakta teknisk service.

SYMPTOM	TROLIG ORSAK	LÖSNING
<p>Alarm:</p> <p>GUL eller RÖD lampa tänds.</p> <p>Larm: Kontinuerligt på RÖD lampa</p> <p>* Gäller enbart IRC5PO2AW & IRC5PO2VAW</p>	<p>Systemfel:</p> <ol style="list-style-type: none"> 1. Låg nivå på syrgasens renhet.* 2. Böjd eller tilltäppt slang, kanyl eller befuktare.* 3. Flödesmätaren inställd på 0,5 L/min eller lägre.* 4. Enheten överhettad p.g.a. blockerat luftintag. 5. Otillräcklig uteffekt. 6. Invändig reparation krävs. 	<ol style="list-style-type: none"> 1. Rengör eller byt ut filtren. 2. Inspektera avseende veck eller blockeringar. Korrigerar, rengör eller byt ut efter behov. När dessa åtgärder är vidtagna stänger du av enheten i 60 sekunder och slår sedan på strömbrytaren igen. 3. Kontrollera att flödesmätaren är inställd på minst 1,0 l/min. Se Typiska produktparametrar. 4. <ol style="list-style-type: none"> a. Ta bort och rengör skåpfiltren. b. Flytta koncentratorn minst 30,5 cm från väggar, draperier eller möbler. 5. Använd INTE förlängningssladdar. Byt till ett annat eluttag eller strömkrets. 6. Kontakta teknisk service.
<p>GRÖN lampa och GUL blinkande lampa.</p>	<ol style="list-style-type: none"> 1. Invändig reparation krävs. 	<ol style="list-style-type: none"> 1. Kontakta teknisk service.

SYMPTOM	TROLIG ORSAK	LÖSNING
<p>Larm:</p> <p>SNABBT</p> <p>Pip....pip...</p> <p>pip...pip</p>	<p>Larm om eventuell tilltäppning:</p> <ol style="list-style-type: none"> 1. Eventuell inre tilltäppning i syrgasens flödesväg. Böjd eller tilltäppt slang, kanyl eller befuktare. 2. Flödesmätaren inställd på 0,5 l/min eller lägre. 	<ol style="list-style-type: none"> 1. Inspektera avseende veck eller blockeringar. Korrigera, rengör eller byt ut efter behov. När dessa åtgärder är vidtagna stänger du av enheten i 60 sekunder och slår sedan på strömbrytaren igen. 2. Ställ in flödesmätaren på ordinerad flödes hastighet. Lägre flödes hastigheter än 1 l/min rekommenderas inte. <p> Om den pediatri ska flödesmätaren används inaktiveras larmet om eventuell tilltäppning.</p>

I0 Teknisk data

I0.1 Vanliga produktparametrar

Elektriska krav:	230 VAC + 10, -15% (253 VAC/195.5 VAC), 50 Hz
Beräknad inström:	1,5 A
Ljudnivå:	40 dBA max
Höjd över havet:	Upp till 1 828 meter över havsnivån utan att koncentrationnivåerna minskar. ENHETEN REKOMMENDERAS INTE FÖR ANVÄNDNING OVANFÖR 1 828 meter Intervall för atmosfäriskt tryck: 101,33–81,22 kPa
Syrgasutflöde Koncentrationsnivåer:	87% till 95.6% vid 0,5 till 5 l/min 93% ± 3% vid 2 l/min  Koncentrationsnivåerna har uppnåtts efter en initial uppvärmningsperiod (cirka 30 minuter)
Maximalt utloppstryck:	34,5 kPa ± 3,45 kPa
Flödes hastighet:	0,5 till 5 l/min (max). För flödes hastigheter mindre än 1 l/min. rekommenderar vi att Invacare Pediatric Flowmeter Accessory (IRCPF16AW) används
Larm om eventuell tilltäppning:	0 l/min till 0.5 l/min Koncentratoren upptäcker ett tillstånd som kan bero på eventuell tilltäppning i syrgasutmatningen. Snabbt pipande varningssignal (larmet inaktiveras när tillbehör ansluts). Kan bero på en inställd flödes hastighet på högst 0,5 l/min.
Strömförbrukning:	Perfecto ₂ AW - 300 W @ 5 l/min, 280 W @ 3 l/min Perfecto ₂ VAW - 320 W @ 5 l/min

Specifikationer för säkerhetsventilmekanismen:	24 l kPa ± 24, l kPa
Förändring i maximalt rekommenderat flöde när ett insugningstryck på 7 kPa tillämpas:	0,7 l/min
Filter:	Skåp, HEPA-utlopp och kompressorinlopp.
Säkerhetssystem:	Avstängning på grund av strömöverbelastning. Kompressoravstängning p.g.a. höga temperaturer. Högtryckslarm med kompressoravstängning. Lågtryckslarm med kompressoravstängning. Batterifritt larm för energiförlust. SensO ₂ -syrgassystemet - larm om eventuell tilltäppning.
Bredd:	38, l cm ± l cm
Höjd:	58,4 cm ± l cm
Djup:	30,5 cm ± l cm
Vikt:	Perfecto ₂ AW modeller - 20,5 kg ± l kg Perfecto ₂ VAW modeller - 18, l kg ± l kg
Transportvikt:	Perfecto ₂ AW modeller - 22,7 kg ± l kg Perfecto ₂ VAW modeller - 20,4 kg ± l kg
Omgivande driftstemperatur:	10 °C–35 °C vid 20–60 % relativ luftfuktighet.
Skåp:	Slagtåligt, flamskyddat plastskåp som uppfyller UL 94-V0.
Ej AP/APG:	Ej lämplig för användning tillsammans med brandfarliga anestetiska mixturer

Standarder och bestämmelser:	IEC/EN60601-1, A1, A2 IEC/EN60601-1-2 IEC/EN61000-3-2 IEC/EN61000-3-3, ISO8359 MDD 93/42/EEC, Annex I och IX
CE-märkta modeller:	IRC5PO2AW/IRC5PO2VAW
Elektricitet:	Inga förlängningssladdar.
Placering:	Minst 30,5 cm (12 tum) från väggar, möbler, draperier eller liknande ytor för att garantera tillräckligt luftflöde. Undvik ryamattor och liknande samt element, andra värmekällor och varmluftsventiler. Får endast placeras på golvet. Inga trånga utrymmen (till exempel garderober).
Slangar:	2,1 m kanyl med maximalt 15,2 m krossäker slang (Får EJ klämmas)
Driftslängd:	Upp till 24 timmar per dag.
Rekommenderad förvarings- och transporttemperatur:	-29 °C–65 °C vid 15–95 % relativ luftfuktighet
Miljö:	Inga begränsade utrymmen (t.ex. garderober)
Minsta drifttid:	30 Minuter

Customer Service and Warranty Information

Terms and conditions of the warranty are part of the general terms and conditions particular to the individual countries in which this product is sold.

KUNDESERVICE OG GARANTIOPLYSNINGER

Garantivilkårene og -betingelserne er en del af de generelle vilkår og betingelser, som gælder specielt for de enkelte lande, hvor dette produkt sælges.

ASIAKASPALVELU- JA TAKUUTIEDOT

Takuuehdot ovat osa yleisiä maakohtaisia ehtoja maissa, joissa tätä tuotetta myydään.

INFORMASJON OM KUNDESERVICE OG GARANTI

Garantivilkårene er inkludert i de generelle vilkårene som gjelder i hvert land hvor dette produktet markedsføres.

INFORMATION OM KUNDSERVICE OCH GARANTI

Garantivillkoren ingår i de allmänna villkor som gäller för de olika länder där produkten säljs.

Belgium & Luxemburg: Invacare nv, Autobaan 22, B-8210 Loppem • Tel: (32) (0) 50 83 10 10 • Fax: (32) (0) 50 83 10 11 • belgium@invacare.com • www.invacare.be

Danmark: Invacare A/S, Sdr. Ringvej 37, DK-2605 Brøndby • Tel: (45) (0)36 90 00 00 • Fax: (45) (0)36 90 00 01 • denmark@invacare.com • www.invacare.dk

Deutschland: Invacare GmbH, Alemannenstraße 10, D-88316 Isny • Tel: (49) (0)75 62 7 00 0 • Fax: (49) (0)75 62 7 00 66 • kontakt@invacare.com • www.invacare.de

Eastern Europe, Middle East & CIS: Invacare EU Export • Kleiststraße 49 • D-32457 Porta Westfalica • Germany • Tel: (49) 5731 754540 • Fax: (49) 5731 754541 • webinfo-eu-export@invacare.com • www.invacare-eu-export.com

España: Invacare SA, c/Areny s/n, Polígon Industrial de Celrà, E-17460 Celrà (Girona) • Tel: (34) (0)972 49 32 00 • Fax: (34) (0)972 49 32 20 • contactsp@invacare.com • www.invacare.es

France: Invacare Poirier SAS, Route de St Roch, F-37230 Fondettes • Tel: (33) (0)2 47 62 64 66 • Fax: (33) (0)2 47 42 12 24 • contactfr@invacare.com • www.invacare.fr

Ireland: Invacare Ireland Ltd, Unit 5 Seatown Business Campus • Seatown Road, Swords, County Dublin – Ireland • Tel: (353) 1 810 7084 • Fax: (353) 1 810 7085 • ireland@invacare.com • www.invacare.ie

Italia: Invacare Mecc San s.r.l., Via dei Pini 62, I-36016 Thiene (VI) • Tel: (39) 0445 38 00 59 • Fax: (39) 0445 38 00 34 • italia@invacare.com • www.invacare.it

Nederland: Invacare AE, Galvanistraat 14–3, NL–6716 BZ Ede • Tel: (31) (0)318 695 757 • Fax: (31) (0)318 695 758 • nederland@invacare.com • csede@invacare.com • www.invacare.nl

Norge: Invacare AS, Grensesvingen 9, Postboks 6230, Etterstad, N-0603 Oslo • Tel: (47) (0)22 57 95 00 • Fax: (47) (0)22 57 95 01 • norway@invacare.com • island@invacare.com • www.invacare.no

Österreich: Invacare Austria GmbH, Herzog Odilostrasse 101, A-5310 Mondsee • Tel: (43) 6232 5535 0 • Fax: (43) 6232 5535 4 • info@invacare-austria.com • www.invacare.at

Portugal: Invacare Lda • Rua Estrada Velha, 949, P-4465-784 Leça do Balio • Tel: (351) (0)225 1059 46/47 • Fax: (351) (0)225 1057 39 • portugal@invacare.com • www.invacare.pt

Sverige: Invacare AB • Fagerstagatan 9 • S-163 53 Spånga • Tel: (46) (0)8 761 70 90 • Fax: (46) (0)8 761 81 08 • sweden@invacare.com • www.invacare.se

Suomi: Camp Mobility • Patamäenkatu 5, 33900 Tampere • Tel: 09-350 76 310 • info@campmobility.fi • www.campmobility.fi

Schweiz/Suisse/Svizzera: Invacare AG • Benkenstrasse 260 • CH-4108 Witterswil • Tel.: (41) (0)61 487 70 80 • Fax.: (41) (0)61 487 70 81 • switzerland@invacare.com • www.invacare.ch

United Kingdom: Invacare Limited, Pencoed Technology Park, Pencoed, Bridgend CF35 5HZ • Tel: (44) (0) 1656 776222 • Fax: (44) (0) 1656 776220 • UK@invacare.com • www.invacare.co.uk

Invacare Corporation

USA
One Invacare Way
Elyria, Ohio USA
44035
440-329-6000
800-333-6900
Technical Services
440-329-6593
800-832-4707
www.invacare.com



Manufacturer:
Invacare Corporation
2101 E. Lake Mary Blvd.
Sanford, FL USA 32773
407-321-5630



Invacare Deutschland GmbH
Kleiststraße 49
D-32457 Porta Westfalica
Germany
Tel: (49) (0) 5731 754 0
Fax: (49) (0) 5731 754 52191



1195658-A

2017-04-18



Making Life's Experiences Possible®



Yes, you can.®