

# *Spare Parts Catalogue*

---

Version: 2015/09/10a EN



**Invacare® Birdie™**



**Yes, you can.®**

## **General Information**

*For any order of spare parts the following information is required:*

- Product type*
- Product name & model*
- Serial Number*
- Part-Number*
- Part-Description*

*Exploded view drawings and code numbers are not contractual and subject to modification, in relation to Invacare® continuous product improvement policy to meet end users needs.*

*The reproduction or use of this work, or of any substantial part of this work, in any form or by any electronic, mechanical or other means, including photocopying, scanning and recording, and in any information storage and retrieval system, including electronic transmission, is forbidden without the prior written permission of Invacare® International Sarl.*



Yes, you can.®

## TABLE OF CONTENTS

---

### Colour specifications

Steel and plastic colours .....	5
Wood types .....	6

### Base and legs

Base with manual leg spread, Birdie and Birdie Compact .....	7
Pedal mechanism assembly .....	8
Pedals with rubber pads .....	9
Ø75 mm front castors, Colson .....	10
Ø100 mm front castors, Tente .....	11
Ø75 mm rear castors with brake, for manual leg spread, Colson .....	12
Ø100 mm rear castors with brake, for manual leg spread, Tente .....	13
Leg assembly .....	14
Base with electrical leg spread, Birdie / Birdie Plus .....	15
Motor for elec. leg spread, Birdie .....	16
Motor for elec. leg spread, Birdie Plus .....	17
Ø75 mm front castors, Colson .....	10
Ø100 mm front castors, Tente .....	11
Ø75 mm rear castors with brake, for elec. leg spread, Colson .....	18
Ø100 mm rear castors with brake, for elec. leg spread, Tente .....	19
Ø125 mm rear castors with brake, for elec. leg spread, Tente .....	20
Leg assembly .....	14

### Electrical parts

Control units .....	21
Motor for jib .....	22
Motor for elec. leg spread, Birdie .....	16
Motor for elec. leg spread, Birdie Plus .....	17
Hand controls for Birdie .....	23

### Mast and jib

Mast/jib assembly .....	24
Control units .....	21
Motor for jib .....	22

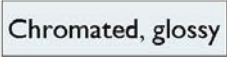

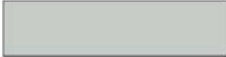

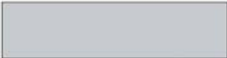
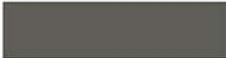


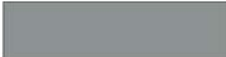
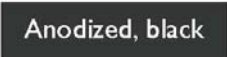


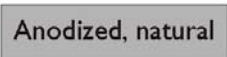







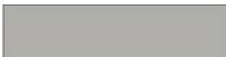



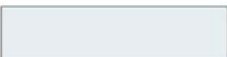
### Spreader bars

Spreader bar 2 points (450/550 mm) .....	26
Spreader bar 4 points (450/550 mm) .....	27

### Accessories



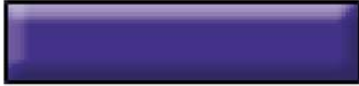


Scale Attachment .....	28
------------------------	----



 0001	 0153	 7035
 0002	 0154	 7039
 0003	 1015	 7042
 0004	 3004	 7046
 0005	 5002	 8016
 0011	 7012	 9005
 0150	 7016	 9006
 0151	 7032	 9010
 0152	<p>NB: Colours are for reference only                  Not all colours are available for all products</p>	

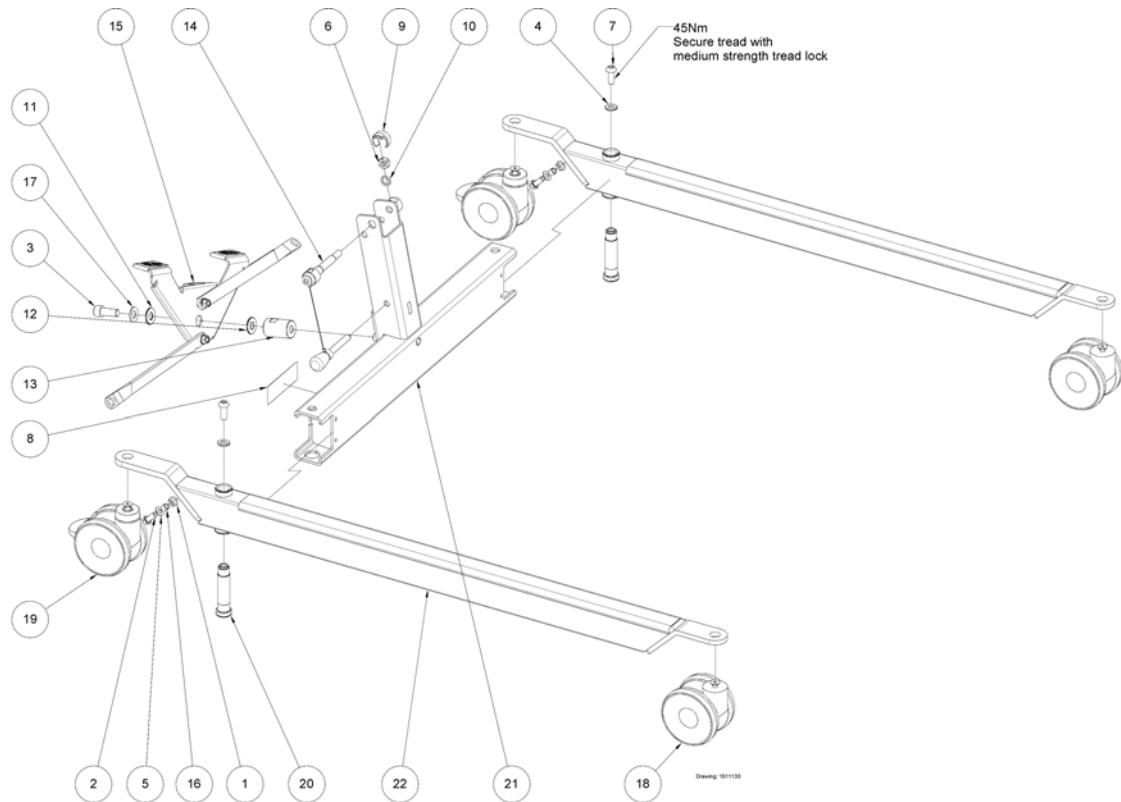
Pos.	Part number	Description	Valid from → until	Qty
-		Not for separate sale - please contact Invacare		1

## Wood types

 Beech	0101		0112
 Cherry	0102		0113
 Mahogany	0103		0114
 Light beech	0105		0115
	0110		0116
	0111		0117

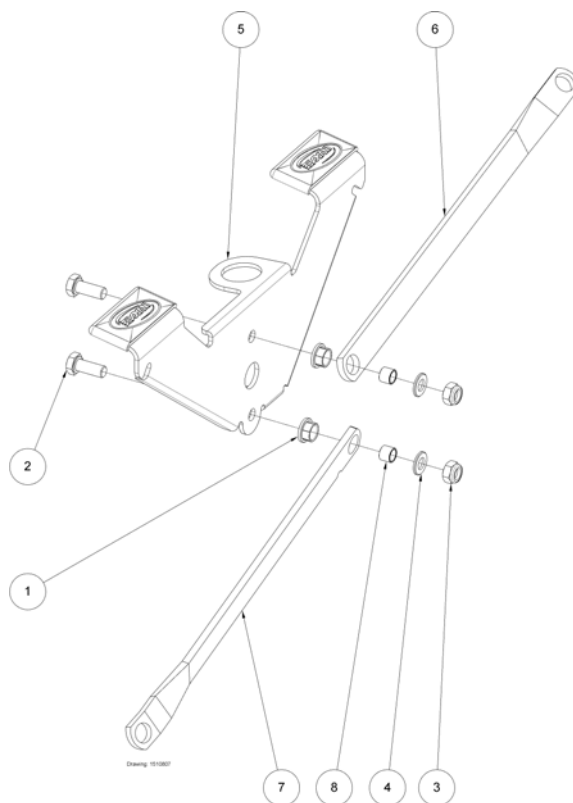
Pos.	Part number	Description	Valid from → until	Qty
-		Not for separate sale - please contact Invacare		1

## Base with manual leg spread, Birdie and Birdie Compact



Pos.	Part number	Description	Valid from → until	Qty
1	SP420625-7035	Bearing bushing Ø10,2/Ø12,9/Ø16,5x5,7 RAL 7035		2
2	803004	Screw M8x20		2
3	803066	Screw Chc M12x30 mm self locking		1
4	SP803847	Washer ISO7090 M10 zn		2
5	804200	Washer ISO7090 M08 zn		2
6	806651	Lock nut M10		1
7	817264	Screw M10x25 St. 10.9		2
8	1424016	Identification label 35x97 (silver polyester)		1
9	1509369-7012	Nut clips on Base Birdie/Birdie Compact (1 pcs per hoist)		1
10	1510029	Washer Ø17/Ø12,5x3 stainless		1
11	1510215	Washer Ø28/Ø12x2 brass		1
12	1510216	Washer Ø18/Ø12x3 brass		1
13	1510217-7012	Pedal axle for Birdie, Ø30/M12x46, RAL 7012		1
14	1510506	Handle kit for mast/base assembly, Birdie		1
15	-	Pedal mechanism assembly		1
16	1514737	Bushing Ø10/Ø8x8 stainless		2
17	1514849	Washer, spring, Ø25/Ø12,2x1,5		1
18	-	Ø75 mm front castors, Colson		2
18	-	Ø100 mm front castors, Tente		2
19	-	Ø75 mm rear castors with brake, for manual leg spread, Colson		2
19	-	Ø100 mm rear castors with brake, for manual leg spread, Tente		2
20	1526963	Bolt M10 special		2
21	1528042-7012	Base for Birdie Compact, RAL 7012		1
21	1528043-7012	Base for Birdie, RAL 7012		1
22	-	Leg assembly		2
23	SP1545308-7012	Padded insert plastic		1

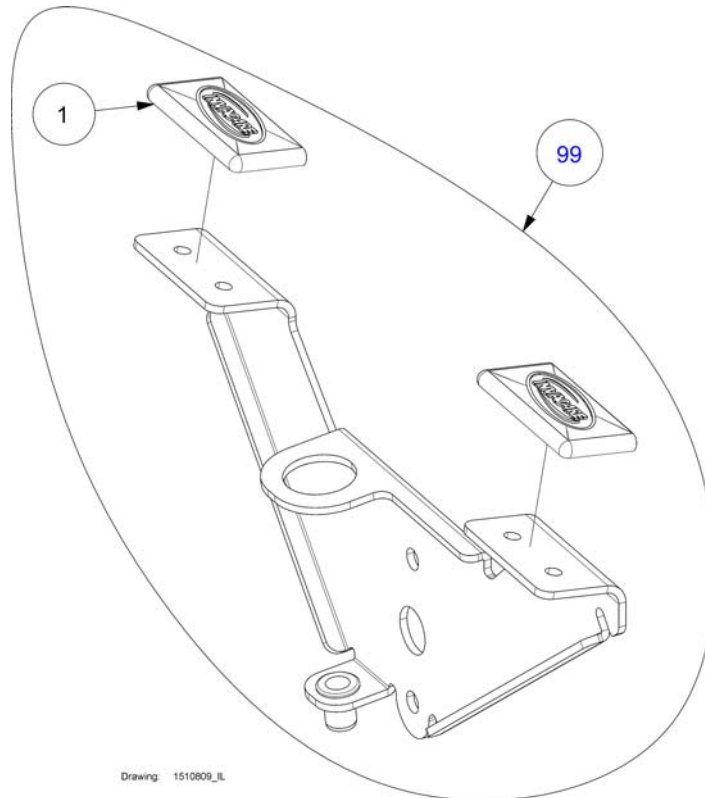
## Pedal mechanism assembly



Pos.	Part number	Description	Valid from → until	Qty
1	SP420625-7035	Bearing bushing Ø10,2/Ø12,9/Ø16,5x5,7 RAL 7035		2
2	803004	Screw M8x20		2
3	803927	Locknut M8 Z HFC 840 DIN 985-8		2
4	804200	Washer ISO7090 M08 zn		2
5	-	Pedals with rubber pads		1
6	1511880-7012	Connecting rod for legs, left, Birdie compact		1
6	1511881-7012	Connecting rod for legs, left, Birdie, RAL 7012		1
7	1511854-7012	Connecting rod for legs, right, Birdie Compact, RAL 7012		1
7	1511882-7012	Connecting rod for legs, right, Birdie, RAL 7012		1
8	1514737	Bushing Ø10/Ø8x8 stainless		2

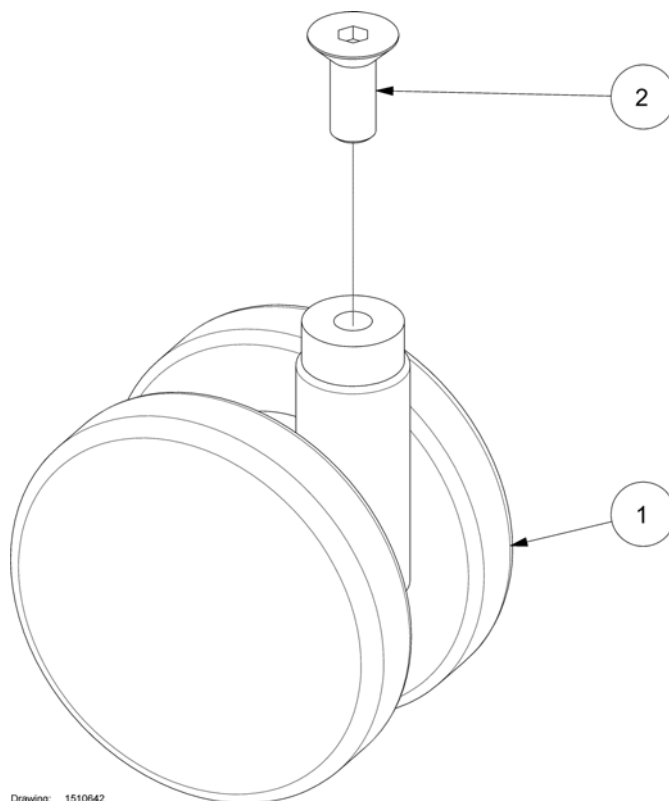


## Pedals with rubber pads



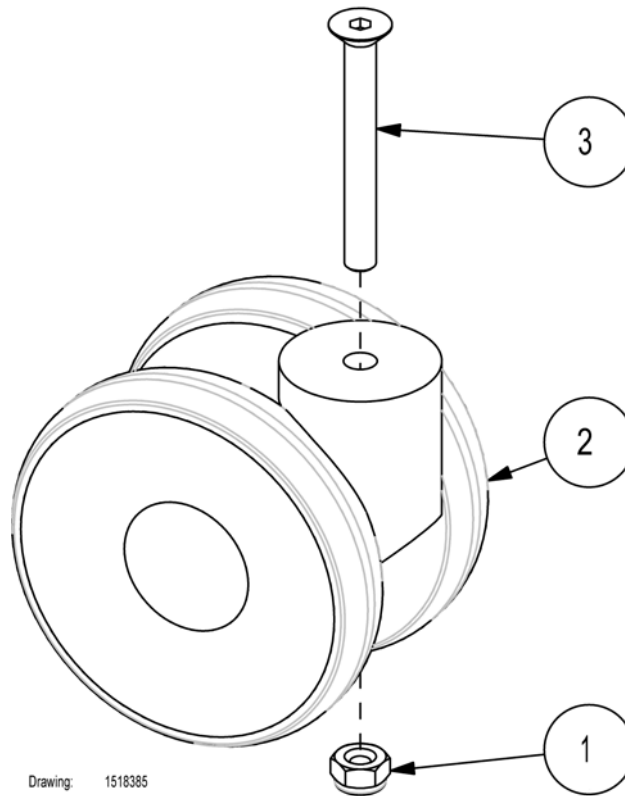
Pos.	Part number	Description	Valid from → until	Qty
1	SP1509450-7012	Pedal ferrule - Birdie/Birdie Compact with manuel leg opening (2 pcs per hoist)		2
99	1510809-7012	Pedals with rubber pads, RAL 7012		1

## Ø75 mm front castors, Colson



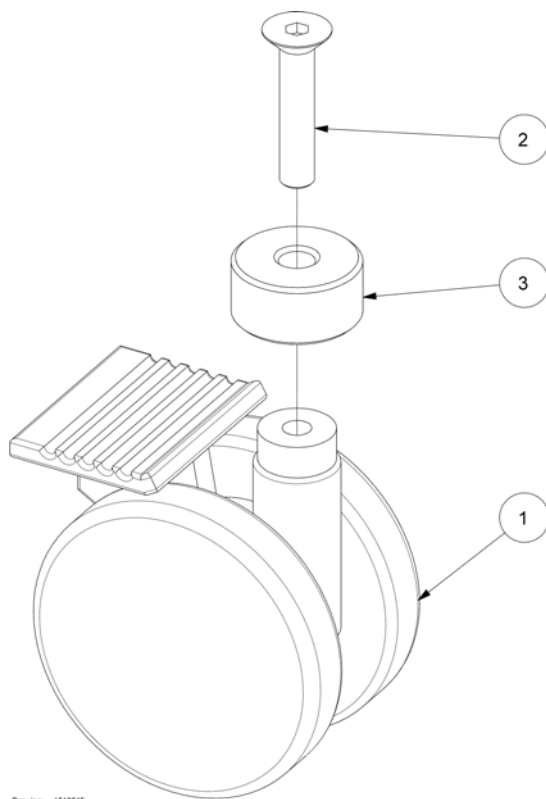
Pos.	Part number	Description	Valid from → until	Qty
1	SP1426519	Castor 75mm for Birdie/Birdie-Compact Colson Twin Tech		1
2	SP1426737	Screw M8x20 St. 10.9 ISO 10642		1

## Ø100 mm front castors, Tente



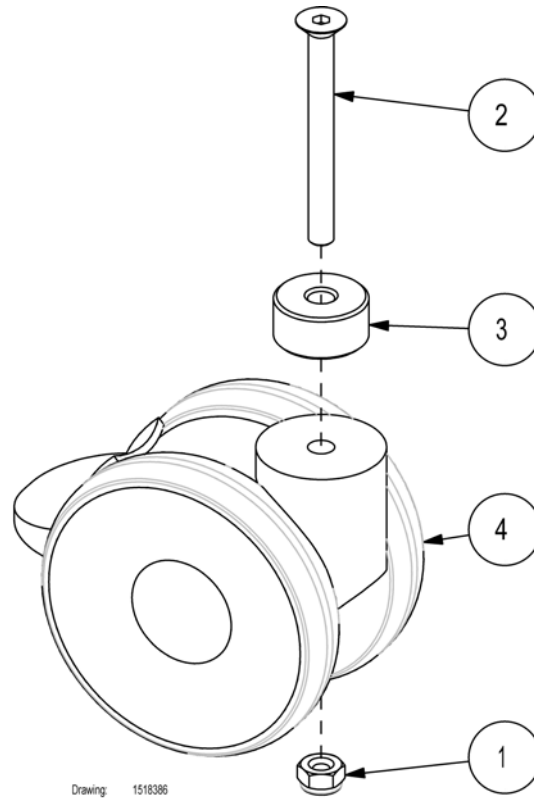
Pos.	Part number	Description	Valid from → until	Qty
1	803927	Locknut M8 Z HFC 840 DIN 985-8		1
2	1511489	Castor front 100mm for Birdie		1
3	1518383	Screw M8x70 St. 10.9 ISO 10642		1

## Ø75 mm rear castors with brake, for manual leg spread, Colson



Pos.	Part number	Description	Valid from → until	Qty
1	1423369	Castor 75mm w brake for Birdie/Birdie-Compa Colson Twin Tech		1
2	1509735	Screw M8x40 St. 10.9 ISO 10642		1
3	1523115-7012	Bushing Ø40/Ø8x15 RAL 7012 <i>1523115-7012 has replaced 1509744-7012</i>	2009-01-01 →	1

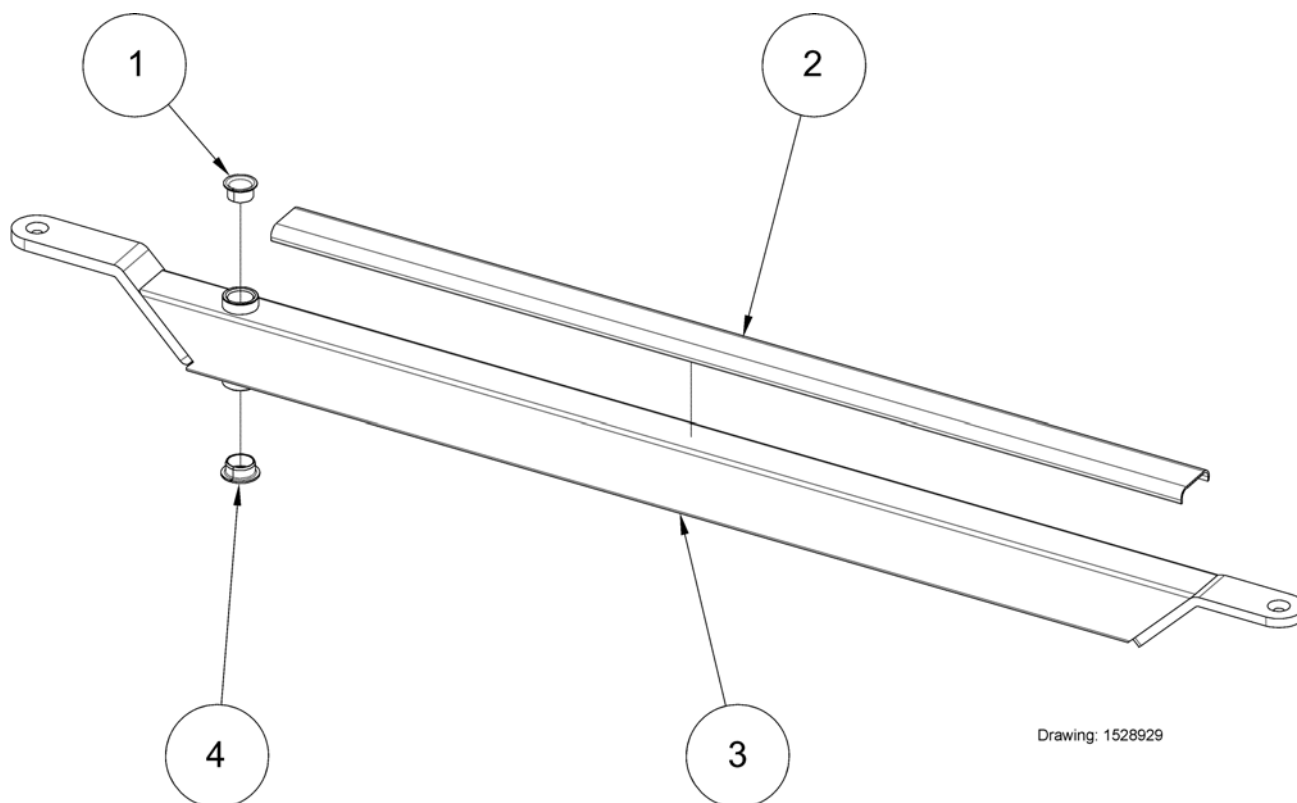
## Ø100 mm rear castors with brake, for manual leg spread, Tente



Drawing: 1518386

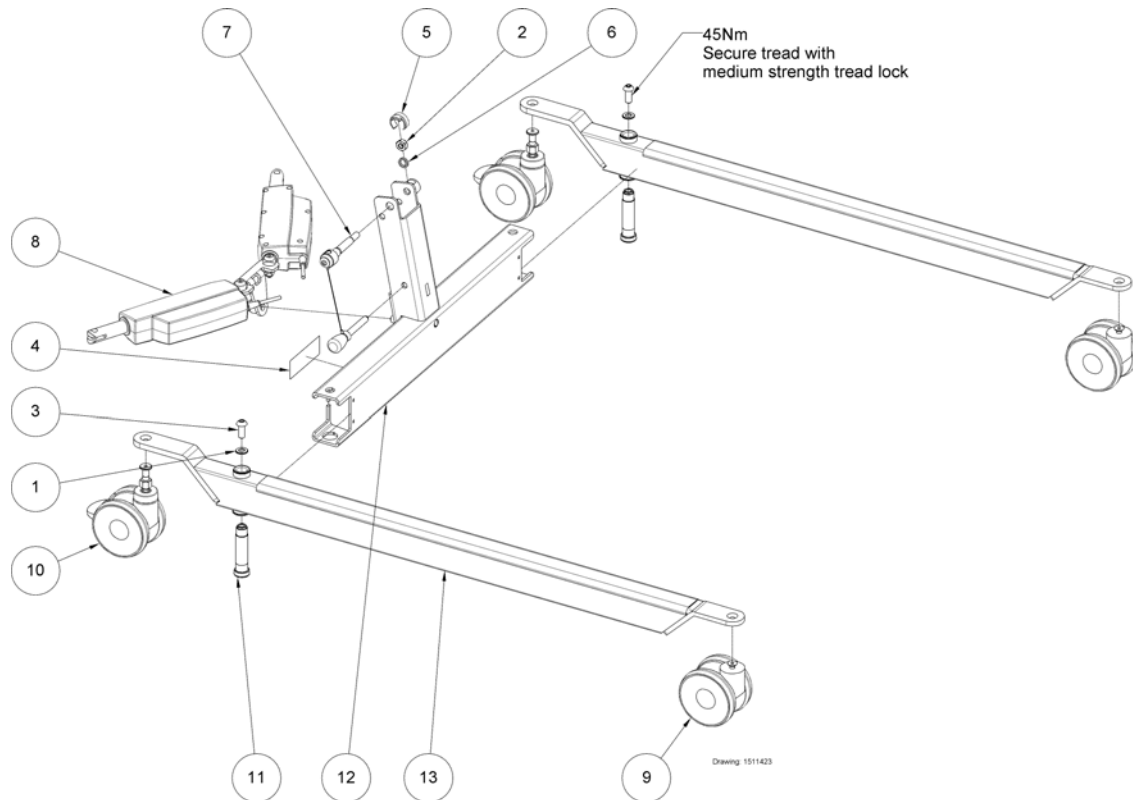
Pos.	Part number	Description	Valid from → until	Qty
1	803927	Locknut M8 Z HFC 840 DIN 985-8		1
2	1509733	Screw M8x80 St. 10.9 ISO 10642		1
3	1523115-7012	Bushing Ø40/Ø8x15 RAL 7012 <i>1523115-7012 has replaced 1509744-7012</i>	2009-01-01 →	1
4	SP1511582	100 mm, back, Birdie		1

## Leg assembly



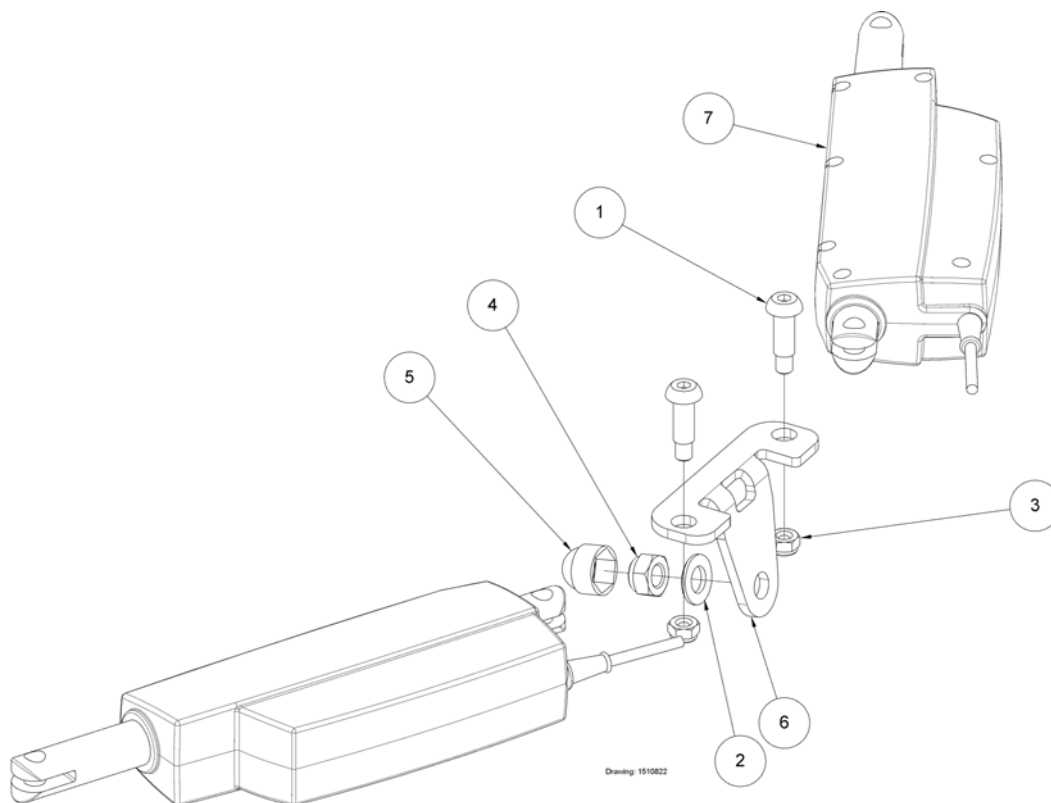
Pos.	Part number	Description	Valid from → until	Qty
1	1441496	Ø18 PTFE bearing		1
2	1511080-7012	Protective rail with tape, Birdie Compact, RAL 7012		1
2	1511104-7012	Plastic covers for legs - Birdie (2 pcs per hoist)		1
3	1527595-7012	Leg, Birdie Compact, RAL 7012		1
3	1527632-7012	Leg, Birdie, RAL 7012		1
3	SP1527634-7012	Leg, Birdie Plus, RAL 7012		1
4	1528776	Ø20 PTFE bearing		1

## Base with electrical leg spread, Birdie / Birdie Plus



Pos.	Part number	Description	Valid from → until	Qty
1	SP803847	Washer ISO7090 M10 zn		2
2	806651	Lock nut M10		1
3	817264	Screw M10x25 St. 10.9		2
4	1424016	Identification label 35x97 (silver polyester)		1
5	1509369-7012	Nut clips on Base Birdie/Birdie Compact (1 pcs per hoist)		1
6	1510029	Washer Ø17/Ø12,5x3 stainless		1
7	1510506	Handle kit for mast/base assembly, Birdie		1
8	-	Motor for elec. leg spread, Birdie		1
8	-	Motor for elec. leg spread, Birdie Plus		1
9	-	Ø75 mm front castors, Colson		2
9	-	Ø100 mm front castors, Tente		2
10	-	Ø75 mm rear castors with brake, for elec. leg spread, Colson		2
10	-	Ø100 mm rear castors with brake, for elec. leg spread, Tente		2
10	-	Ø125 mm rear castors with brake, for elec. leg spread, Tente		2
11	1526963	Bolt M10 special		2
12	1528043-7012	Base for Birdie, RAL 7012		1
12	SP1528044-7012	Base for Birdie Plus, RAL 7012		1
13	-	Leg assembly		2
14	SP1545308-7012	Padded insert plastic		1

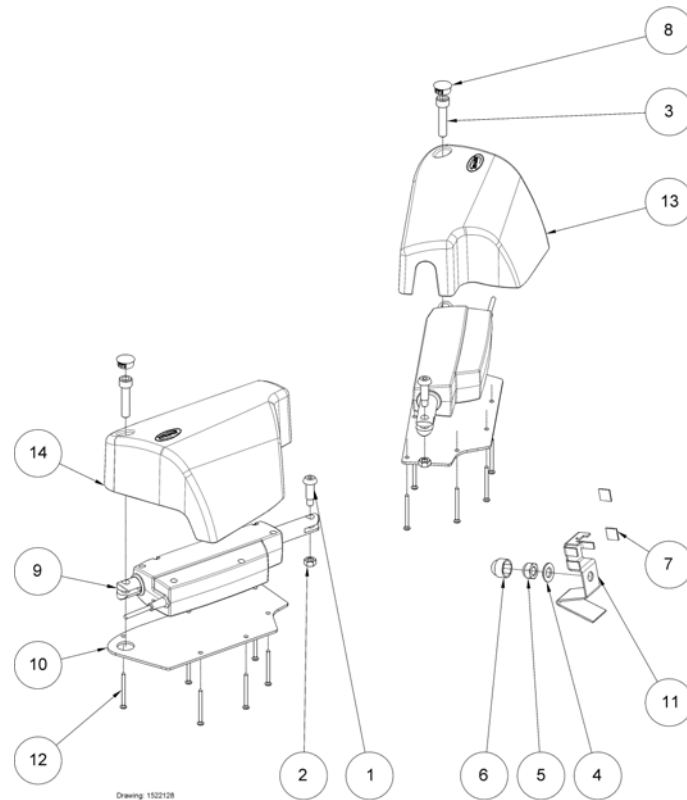
# Motor for elec. leg spread, Birdie



Pos.	Part number	Description	Valid from → until	Qty
1	420623	screws/pillar/bolt for Invacare SB750 <i>Screw and nut has replaced clevis pin and pin</i>	2007-10-01 →	2
2	SP803273	Washer ISO7090 M12		1
3	803927	Locknut M8 Z HFC 840 DIN 985-8 <i>Screw and nut has replaced clevis pin and pin</i>	2007-10-01 →	2
4	804481	Locknut M12		1
5	814390-7012	Nut protector M12, RAL 7012		1
6	1510353-7012	Bracket for elec. leg motor, Birdie, RAL 7012		1
7	SP1510478-9005	Actuator 24v, 2 x LA12, electrical leg Birdie (1 pcs per hoist)		1
7	SP1527962-9005	Actuator 24v, 2 x LA12, electrical leg Birdie JumboCare (1 pcs per hoist)		1



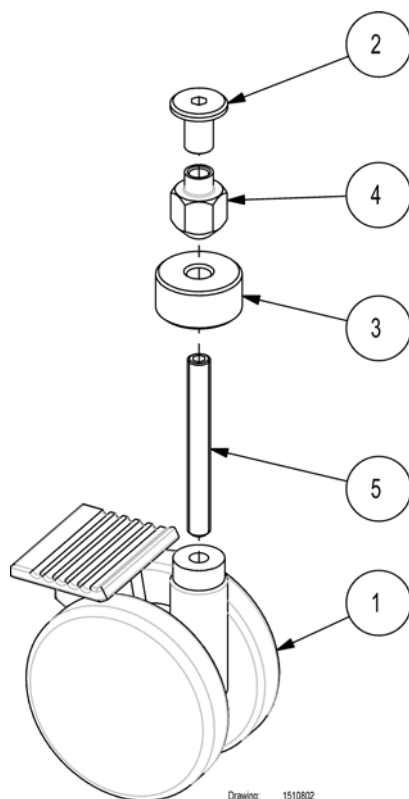
## Motor for elec. leg spread, Birdie Plus



Drawing: 1522128

Pos.	Part number	Description	Valid from → until	Qty
1	420623	screws/pillar/bolt for Invacare SB750		2
2	802729	Nut M8 for SB750		2
4	SP803273	Washer ISO7090 M12		1
5	804481	Locknut M12		1
6	814390-7012	Nut protector M12, RAL 7012		1
7	SP1426680	Cable clips 4,6x4,1		2
8	SP1510761	Cap Ø20		2
9	SP1522132-9005	Motor kit with cable, for leg spread, Birdie Plus, RAL 9005		1
10	SP1522192-7032	Cover bottom plate for leg spread motor, r/l		2
11	SP1523101-7012	Bracket/Cover steel		1
12	SP1523107	Screw chipboard Ø5x60 PH, PZ2		12
13	SP1523806-7012	Cover for leg spread motor, left		1
14	SP1524060-7012	Cover for leg spread motor, right		1

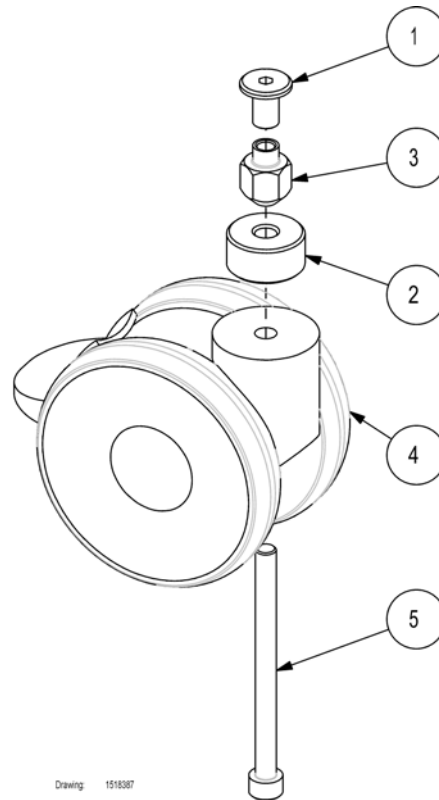
## Ø75 mm rear castors with brake, for elec. leg spread, Colson



Drawing: 1510802

Pos.	Part number	Description	Valid from → until	Qty
1	1423369	Castor 75mm w brake for Birdie/Birdie-Compa Colson Twin Tech		1
2	1509737	Nut, furniture M8x16, Ø20/Ø10		1
3	1523115-7012	Bushing Ø40/Ø8x15 RAL 7012 <i>1523115-7012 has replaced 1509744-7012</i>	2009-01-01 →	1
4	SP1509910-0002	Nut M8, special <i>Replace 1509910-0002</i>		1
5	SP1510562	Screw M8x70 St. 14.9 ISO 4026		1

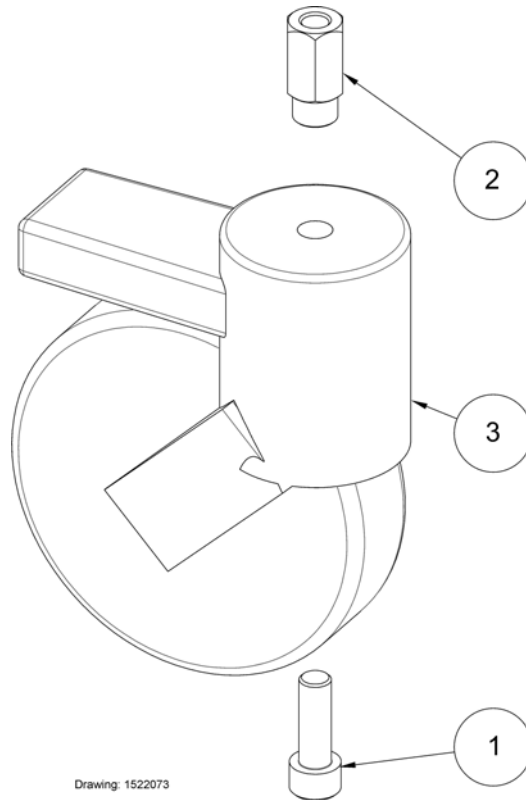
## Ø100 mm rear castors with brake, for elec. leg spread, Tente



Drawing: 1518387

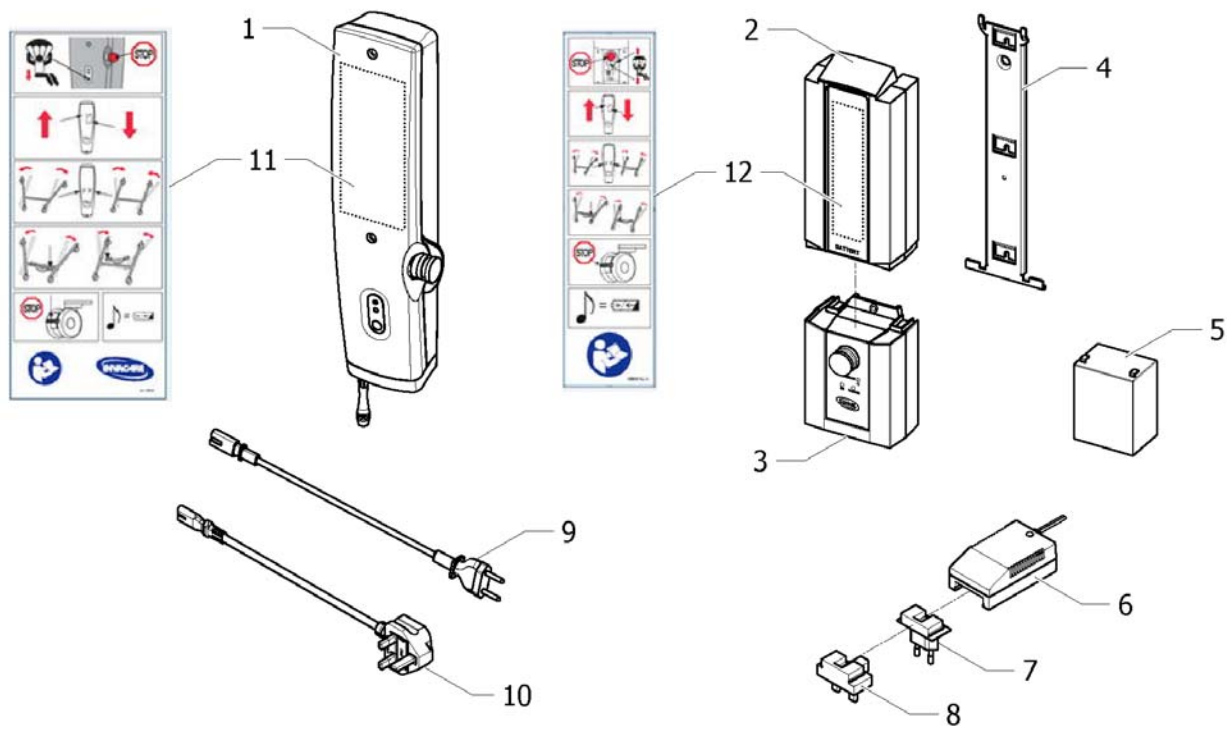
Pos.	Part number	Description	Valid from → until	Qty
1	1509737	Nut, furniture M8x16, Ø20/Ø10		1
2	1523115-7012	Bushing Ø40/Ø8x15 RAL 7012 <i>1523115-7012 has replaced 1509744-7012</i>	2009-01-01 →	1
3	SP1509910-0002	Nut M8, special <i>Replace 1509910-0002</i>		1
4	SP1511582	100 mm, back, Birdie		1
5	SP1518384	Screw M8x100 St. 8.8 ISO 4762 (x2)		1

## Ø125 mm rear castors with brake, for elec. leg spread, Tente



Pos.	Part number	Description	Valid from → until	Qty
1	803057	Screw M10x30 8.8 ISO 4762		1
2	SP1522176-0002	Nut M8, special		1
3	1522221	Castor, Ø125 with brake, Tente Linea		1

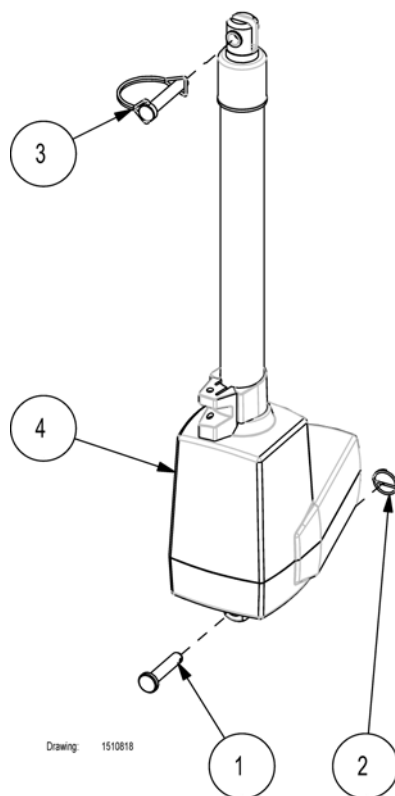
## Control units



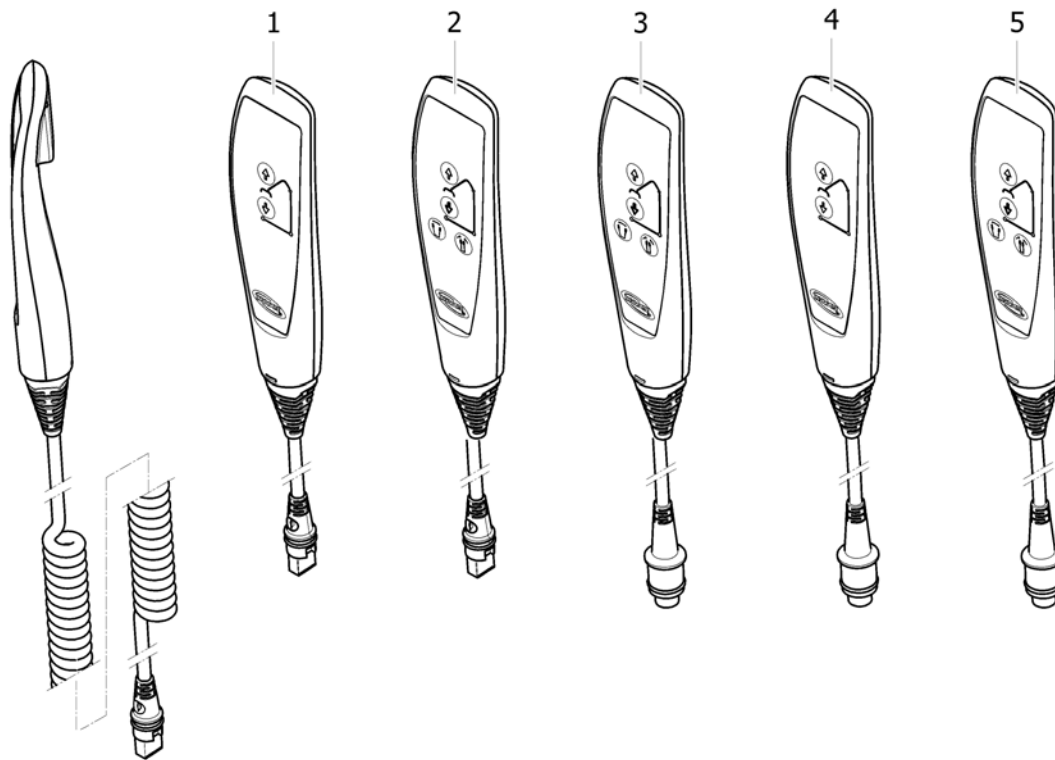
ISPS:1510371

Pos.	Part number	Description	Valid from → until	Qty
1	SP1575044-7035	Control box 1 Channel Home Care Man Leg 150Kg		1
1	SP1575043-7035	Control box 1 Channel Home Care Manual Leg 170Kg		1
1	SP1575046-7035	Control box 1 Channel HomeCare Manual Leg 180Kg		1
1	SP1575047-7035	Control box 2 Channel Home Care Elec Leg 170Kg		1
1	SP1575048-7035	Control box 2 Channel Home Care Elec Leg 180Kg		1
2	SP1514573-7035	Battery c/w housing CBJ control units RAL 7035		1
3	SP1522196-7035	Control unit CBJ1 for elec. leg spread, with Ø6,3 Jack plug, RAL 7035		1
3	SP1574996-7035	Control box 1 Channel Jumbo Care Manual Leg 150Kg		1
3	SP1575023-7035	Control box 1 Channel Jumbo Care Manual Leg 170Kg		1
3	SP1574997-7035	Control box 1 Channel Jumbo Care Manual Leg 180Kg		1
3	SP1575024-7035	Control box 2 Channel Jumbo Care Elec Leg 170Kg		1
3	SP1574998-7035	Control box 2 Channels Jumbo Care Electrical Leg 180Kg		1
4	1514574-0002	Bracket for battery housing and CBJ control units		1
5	SP1420622	Battery 2,9 Ah (1 pcs)		2
6	1514576-9005	Charger CH01 - Birdie/Birdie Compact (1 pcs per hoist), please, order the adaptor		1
7	1514613-9005	EU plug adaptor for charger		1
8	1533127-9005	UK plug adaptor for charger		1
9	SP1511583-7035	Mains cord, EU		1
10	SP1511686-7035	Mains cord, UK		1
11	SP1528280	Label for CBJ2 control unit with elec. leg spread (quick guide)		1
12	SP1511759	Homecare Label		1

## Motor for jib



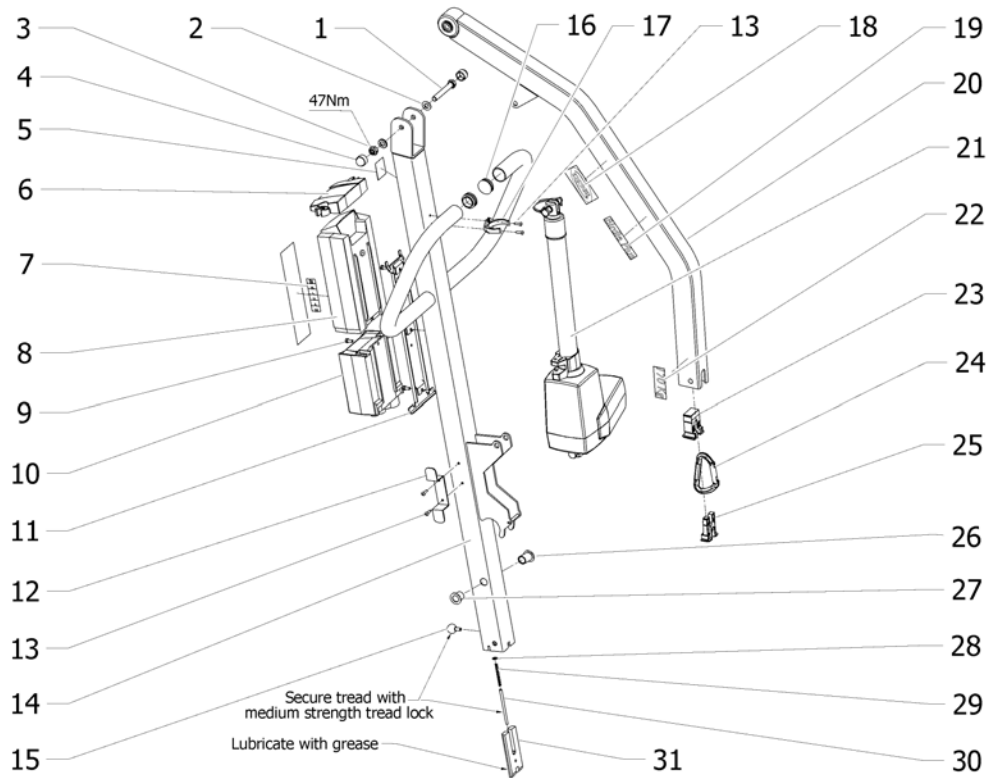
Pos.	Part number	Description	Valid from → until	Qty
1	802719	Steel bolt M10x55 <i>802719 and 806651 replaces SP821244 and 1446265</i>	2008-08-01 →	1
2	806651	Lock nut M10 <i>802719 and 806651 replaces SP821244 and 1446265</i>	2008-08-01 →	1
3	1507121	Shaft locking pin Ø10x50		1
4	SP1510354-7035	Actuator for Birdie Compact 150kg, Fixed battery/control box		1
4	SP1514572-7035	Actuator for Birdie Compact 150kg, Detachable battery/control box	2008-01-01 → 2008-08-01	1
4	SP1510408-7035	Actuator for Birdie 170kg, Fixed battery/control box		1
4	SP1514571-7035	Actuator for Birdie 170kg, Detachable battery/control box		1
4	SP1522289-7035	Elevation motor for Birdie Plus, for CBJ1 control, with Ø6,3 Jack plug, RAL 7035		1



ISPS1518396

Pos.	Part number	Description	Valid from → until	Qty
1	SP1509617	Handcontrol with magnet, 1 Channel Manual for Birdie or Birdie Compact		1
2	SP1509618	Handcontrol with magnet, 2 Channels for Birdie		1
3	SP1522195	Handcontrol with magnet, 2 Channels for Birdie Plus		1
4	SP1574990	Handcontrol with hook, 1 Channel for Birdie or Birdie Compact, Jumbocare		1
5	SP1155872	Handcontrol with hook, 2 Channels Birdie, Jumbocare		1

# Mast/jib assembly



ISPS152129

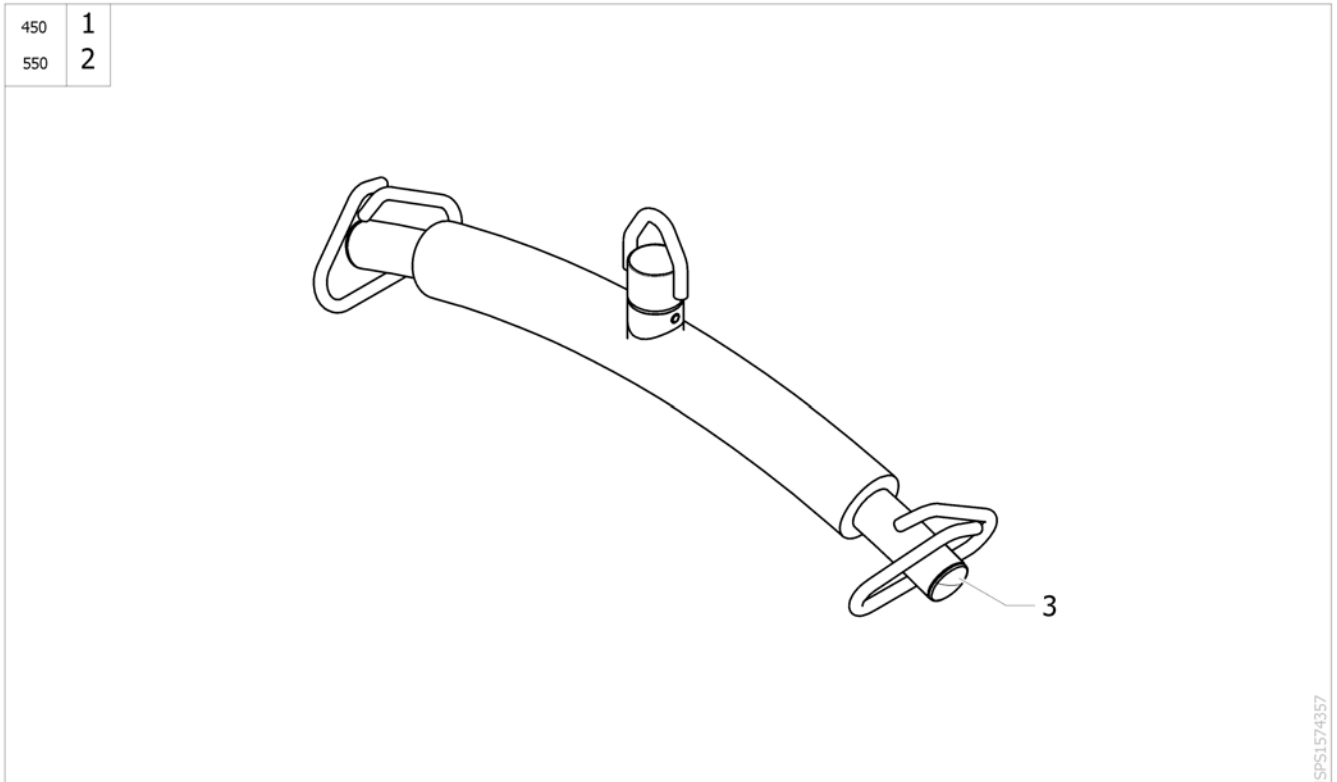
Pos.	Part number	Description	Valid from → until	Qty
1	1509739	Screw M10x70 St. 8.8 ISO 4014		1
2	SP803847	Washer ISO7090 M10 zn		2
3	806651	Lock nut M10		1
4	1426489-7012	Protection for nut M10 RAL 7012		2
5	SP1514228	Label "TUV"		1
6	SP1523789-7035	Lidcover for battery		1
7	1511359	Label with sling sizes		1
8	SP1514573-7035	Battery c/w housing CBJ control units RAL 7035		1
9	SP1509740	Screw M5x70 St. 8.8 ISO 4762 <i>To be used with CBJ Home control units</i>		2
10	-	Control units		1
11	1514574-0002	Bracket for battery housing and CBJ control units		1
12	SP1522201	Cable roll up		1
13	1444036	Rivet, blind, Ø4x14		4
14	1510870-9006	Mast for Birdie, RAL 9006		1
14	1510871-9006	Mast for Birdie Compact, RAL 9006		1
15	1510641-7012	Ball grip lever Ø20/M6x13 RAL 7012		1
16	SP809982-7012	Ferrule SFL 32 - Birdie/Birdie Compact (2 pcs per hoist)		2
17	1509461-7012	Actuator clips for LA34 - Birdie (1 pcs per hoist)		1
17	1509413-7012	Actuator clips for LA31 - Birdie Compact (1 pcs per hoist)		1
18	SP417547	Invacare Logo Label		1
19	SP1509738	Label "Birdie"		2
19	SP1509741	Label "Birdie Compact"		2
19	SP1522202	Label "Birdie Plus"		2
20	1510823-9006	Lifting arm Birdie		1
20	1510869-9006	Jib for Birdie Compact, RAL 9006		1
21	-	Motor for jib		1
22	1509742	Label "150 kg"		2
22	1509743	Label "170 kg"		2
23	1509328-7012	Ferrule 1 on jib Birdie/Birdie Compact (1 pcs per hoist)		1
24	SP1449515	Carabiner for spreader bar Invacare Flamingo/Birdie		1
25	1509329-7012	Ferrule 2 on jib Birdie/Birdie Compact (1 pcs per hoist)		1



**Mast/jib assembly**

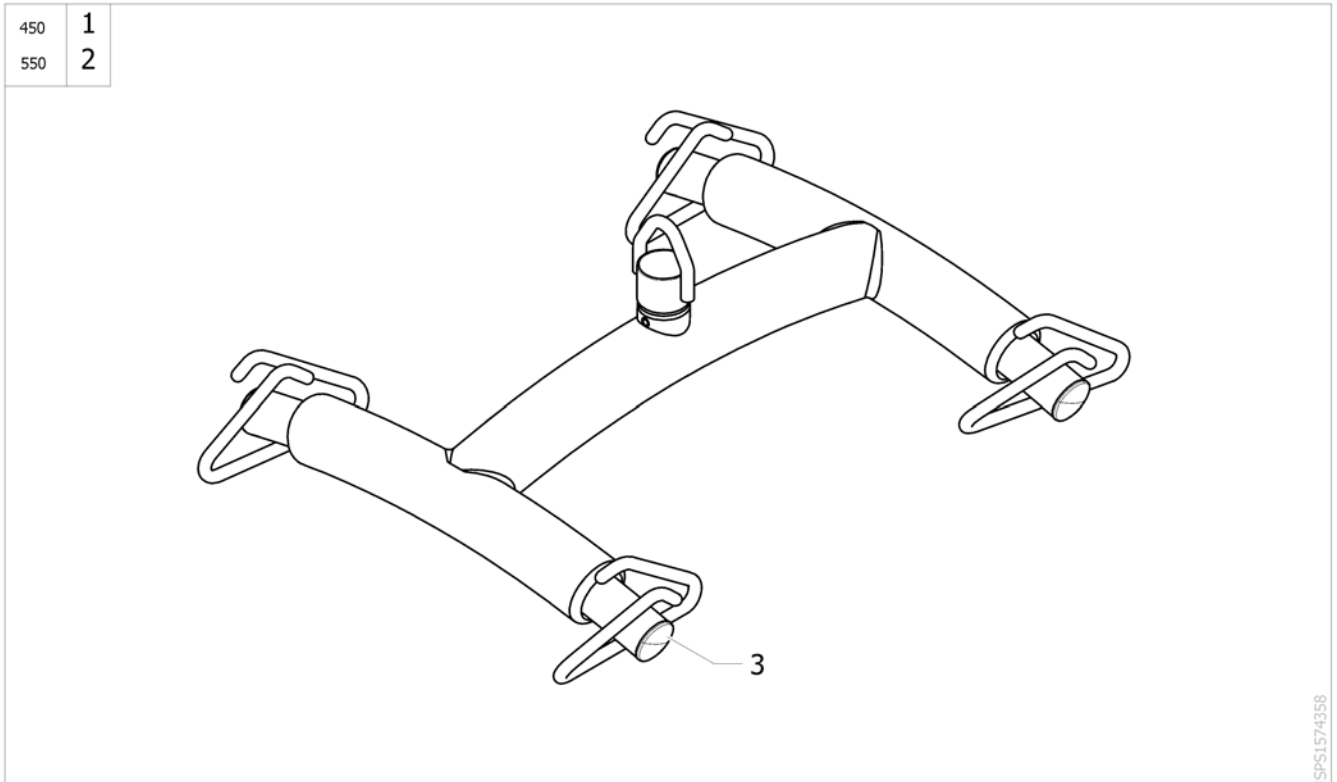
Pos.	Part number	Description	Valid from → until	Qty
26	SP1510213	Bearing Ø18/Ø12x30.5 Mast		1
27	SP1510212	Bearing Ø18/Ø14x21 Mast		1
28	804209	Washer M5 ISO 7090 <i>Replaces POM slide runner 1510210 in previous hois</i>	2008-06-01 →	1
29	1492513	Spring Ø5x0,5x50		1
30	1510158	Pin Ø5xM5x80 stainless		1
31	1510157-0002	Locking pawl for mast/base Birdie		1

## Spreader bar 2 points (450/550 mm)



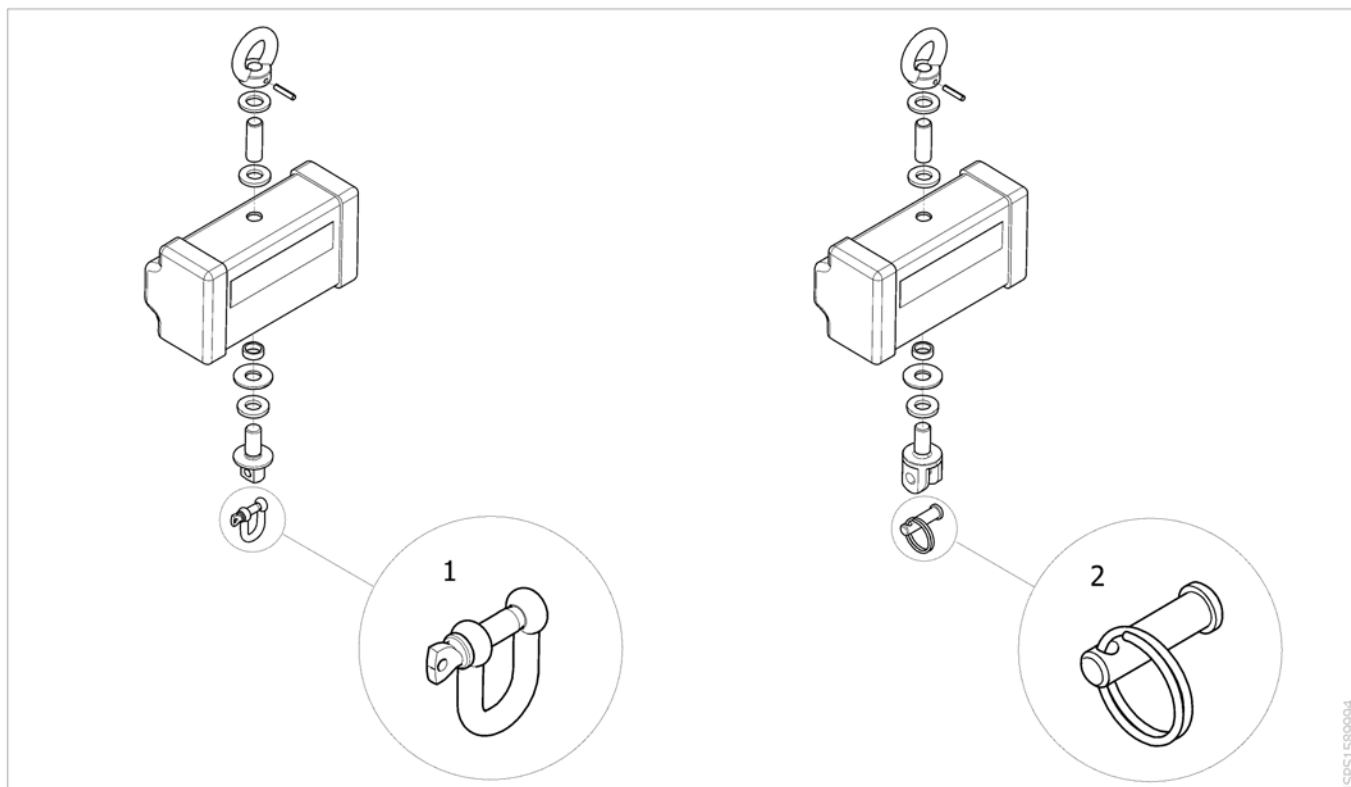
Pos.	Part number	Description	Valid from → until	Qty
1	1526581-0125	Spreader-bar 2pts 450 mm painted		1
2	1526582-0125	Spreader-bar 2pts 550 mm painted		1
3	SP1443855-7012	Ferrule Inside Diameter 30x3 Qty.2 (RAL 7012)		2

## Spreader bar 4 points (450/550 mm)



Pos.	Part number	Description	Valid from → until	Qty
1	1526583-0125	Spreader-bar 4pts 450 mm painted		1
2	1526584-0125	Spreader-bar 4pts 550 mm painted		1
3	SP1443855-7012	Ferrule Inside Diameter 30x3 Qty.2 (RAL 7012)		2

## Scale Attachment



ISPS1589994

Pos.	Part number	Description	Valid from → until	Qty
1	SP1512619	Manil (U Fixture) for Birdie Scale	→ 2015-03-31	1
2	SP1584563	Locking pin + ring for scale attachment	2015-04-01 →	1





Yes, you can.®



---

**Belgium & Luxemburg:**

Invacare nv, Autobaan 22, B-8210 Loppem  
Tel: (32) (0)50 83 10 10, Fax: (32) (0)50 83 10 11  
belgium@invacare.com / www.invacare.be

**Denmark:**

Invacare A/S, Sdr. Ringvej 37, DK-2605 Brøndby  
Tel: (45) (0)36 90 00 00, Fax: (45) (0)36 90 00 01  
denmark@invacare.com / www.invacare.dk

**Deutschland:**

Invacare Aquatec GmbH, Alemannenstraße 10, D-88316 Isny  
Tel: (49) (0)75 62 7 00 0, Fax: (49) (0)75 62 7 00 66  
info@invacare-aquatec.com / www.invacare-aquatec.de

**European Distributor Organisation:**

Invacare, Kleiststraße 49, D-32457 Porta Westfalica  
Tel: (49) (0)57 31 754 540, Fax: (49) (0)57 31 754 541  
edo@invacare.com / www.invacare.eu.com

**España:**

Invacare SA, c/Areny s/n, Polígon Industrial de Celrà, E-17460 Celrà (Girona)  
Tel: (34) (0)972 49 32 00, Fax: (34) (0)972 49 32 20  
contactsp@invacare.com / www.invacare.es

**France:**

Invacare Poirier SAS, Route de St Roch, F-37230 Fondettes  
Tel: (33) (0)2 47 62 64 66, Fax: (33) (0)2 47 42 12 24  
contactfr@invacare.com / www.invacare.fr

**Ireland:**

Invacare Ireland Ltd, Unit 5 Seatown Business Campus, Seatown Road, Swords, County Dublin - Ireland  
Tel: (353) 1 810 7084, Fax: (353) 1 810 7085  
ireland@invacare.com / www.invacare.ie

**Italia:**

Invacare Mecc San s.r.l., Via dei Pini 62, I-36016 Thiene (VI)  
Tel: (39) 0445 38 00 59, Fax: (39) 0445 38 00 34  
italia@invacare.com / www.invacare.it

**Nederland:**

Invacare BV, Celsiusstraat 46, NL-6716 BZ Ede  
Tel: (31) (0)318 695 757, Fax: (31) (0)318 695 758  
nederland@invacare.com, csede@invacare.com / www.invacare.nl

**Norge:**

Invacare AS, Grensesvingen 9, Postboks 6230, Etterstad, N-0603 Oslo  
Tel: (47) (0)22 57 95 00, Fax: (47) (0)22 57 95 01  
norway@invacare.com, island@invacare.com / www.invacare.no

**Österreich:**

Invacare Austria GmbH, Herzog Odilostrasse 101, A-5310 Mondsee  
Tel: (43) 6232 5535 0, Fax: (43) 6232 5535 4  
info-austria@invacare.com / www.invacare.at

**Portugal:**

Invacare Lda, Rua Estrada Velha, 949, P-4465-784 Leça do Balio  
Tel: (351) (0)225 1059 46/47, Fax: (351) (0)225 1057 39  
portugal@invacare.com / www.invacare.pt

**Sverige & Suomi:**

Invacare AB, Fagerstagatan 9, S-163 91 Spånga  
Tel: (46) (0)8 761 70 90, Fax: (46) (0)8 761 81 08  
sweden@invacare.com, finland@invacare.com / www.invacare.se

**Switzerland:**

Invacare AG, Benkenstrasse 260, CH-4108 Witterswil  
Tel: (41) (0)61 487 70 80, Fax: (41) (0)61 487 70 81  
switzerland@invacare.com / www.invacare.ch

**United Kingdom:**

Invacare Limited, Pencoed Technology Park, Pencoed, Bridgend CF35 5AQ  
Switchboard Tel: (44) (0)1656 776200, Fax: (44) (0)1656 776201  
Customer services Tel: (44) (0)1656 776222, Fax: (44) (0)1656 776220  
uk@invacare.com / www.invacare.co.uk