



Simply mobile.

viamobil[®]eco

Push and brake aid



Pushing the
easy way.

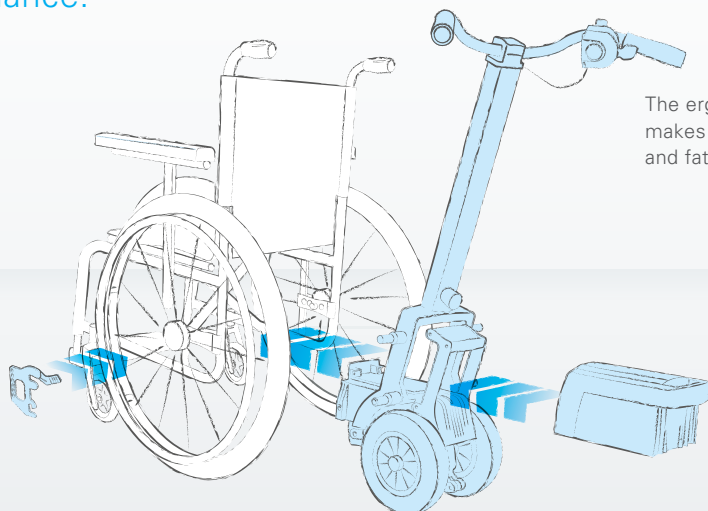


The new easy way to push

Pushing and braking your wheelchair can now be as easy as this. Uphill or downhill, on steep ramps, sloping drives or on longer journeys, viamobil eco, the electric pushing and braking aid for wheelchairs, helps carers with pushing at the times they need it most.

The components of viamobil eco at a glance:

viamobil eco is also a safe partner when travelling downhill, with the automatic braking function providing a big advantage in safety. The intelligent spring system ensures a comfortable and quiet ride, automatically compensating for bumps or dips in the road surface, making sure that the wheel always remains in contact with the ground. These benefits not only relieve the strain on the carer, they enhance the personal freedom of carer and user alike and thereby improve the opportunity for social contact.



The ergonomic **handlebar** with the wide rocker arm makes sure that the viamobil eco is easy to operate and fatigue-free even on longer journeys.

The compact **battery pack** with integrated charger socket easily connects to the drive unit without a plug or cable.

The powerful **motor** can cope with uphill and downhill inclines of up to 10%. Pneumatic suspension ensures the puncture-proof drive wheels maintain perfect contact with the ground and increases comfort.



Back out together again – and so easily!



Everything under control

All functions are controlled using a **hand wheel** with one hand for optimum ease of use.



Thumb control

The **drive lever** on the ergonomically shaped control unit is simply depressed slightly using the thumb to move the wheelchair forwards. This means that even longer walks can be completed without fatigue. The drive lever is lifted up to go into reverse.



Comfortable and safe

The **pneumatic suspension** of viamobil eco smoothes out all bumps and ensures a comfortable ride. It also ensures constant contact pressure with the ground to guarantee safe handling characteristics on both uphill and downhill slopes.

Just simple – the viamobil eco.

Wheelchair pushing can be as easy as this – a fact endorsed by TÜV, an independent organisation which tests quality and reliability. Under the guidance of TÜV, the user friendliness of the viamobil eco was exhaustively tested with the help of users and given the rating 'Simple to operate'.



MADE IN GERMANY

Ideal to transport

In a matter of seconds, viamobil eco dismantles into three handy parts, without tools, and easily fits any car boot or luggage compartment.



Fits your wheelchair

viamobil eco combines with most standard wheelchairs and, thanks to its well designed coupling system, attaches easily to the wheelchair without the need for tools. The wheelchair maintains its complete functionality (e.g. foldability), while comfort and mobility are increased considerably.

Technical data viamobil eco V14

Load capacity:	120 kg (weight of person)**	
Speed:	Infinitely adjustable 1–5,5 km/h	
Range:	12 km*	
Climbing capability:	10 %	
Weight:	Battery pack	5.7 kg
	Drive	10.5 kg
	Control unit	2.0 kg
Max. overall weight:	max. 170 kg** (viamobil eco, wheelchair, wheelchair occupant)	

* Depending on load, terrain, ambient temperature to ISO 7176-4

** Depending on the wheelchair model and the suitability of the attendant restrictions are possible

viamobil eco is an approved medical device. Your medical supplies dealer will happily answer any questions regarding reimbursement.

viamobil eco conforms to Directive 93/42/EEC concerning medical devices and was voluntarily audited by TÜV Süd according to the current version of the product standard EN 12184.

Our claim to quality is your guarantee of safety! Our company is certified to the latest quality management standard (including the respective latest amendments) set out in ISO 13485 for medical devices. With our environmental management system, certified to ISO 14001, we ensure the environmentally compatible manufacture of our products.

