



NEW

Invacare®

Action[®] 3_{NG}

In a class of it's own



The market-leading **Action³_{NG}** is easy to set-up and offers an extensive range of cross-compatible options and accessories to help meet a vast range of different requirements.

Perfectly suited for those who require a more basic wheelchair to those who have progressive and more complex needs. It's smooth ability to transform between configurations makes re-use and refurbishment simple.

- Lightest wheelchair in its field
- Increased stability for a smoother ride
- Improved design for greater support



Light and transportable

Already the lightest wheelchair in its field, the **Action³_{NG}** can be made lighter again by using the optional lightweight castor housing and lightweight wheels, potentially reducing the overall weight by 1.2 kg. Complementing the low transfer weight, the chair also has a foldable backrest, allowing it to be easily folded and dismantled, making it transportable in even the smallest of cars.

Comfort and functionality

The special cross bar folding mechanism, improves stability and makes folding and unfolding even easier. Together with a new release lever – to increase the ease of flipping up the armrests – the **Action³_{NG}** is a great choice for all-round maximum comfort.



Adaptable and modular

Cross-compatible features across the **Action** Family of chairs and accessories mean that each chair is adaptable and modular. Therefore, the **Action³_{NG}** is well equipped to accommodate changes in individual needs over time, simple to refurbish and has access to a wide range of customisation options.

Tailored to fit

A new, increased colour range and an improved backrest cover design bring even more opportunities for individuals to tailor the chair to fit. The new backrest cover overlaps the back canes for added comfort and the backrest now includes a removable lumbar support to give greater support where required.

Features and options



Lightness

With a basic weight from 14.2 kg and a transportation weight of 7.5 kg (without legrests, armrests or rear wheels) the **Action⁵_{NG}** addresses key needs for handling, storage and transportation. In addition, with the new lightweight options, the basic weight can be further reduced to a low 13 kg.



Brake lever

The **Action⁵_{NG}** brake lever is simply folded to allow for easier side transfers.



Length compensating elevating legrest

The elevating legrest offers optimal length compensation with the elevation stepped in 3° / 5° increments (approx.).



Skirt guard

The open zone skirt guard helps easier transfers in and out of the chair.



Flip-back armrest

A redesigned release lever and receiver ensures a smooth 'flip-back' process.



Angle adjustable backrest

The patented, stepless, angle adjustable backrest design has been incorporated from the **Action⁵** which allows for adjustments to be made whilst the individual is sat in the chair.



Amputee support

Height, angle and depth-adjustable, the amputee support is also swingaway.



20 rear wheel positions

Driving performance is enhanced with a choice of 20 rear wheel positions as standard.



Reclining backrest*

A gas spring backrest allows carers to easily adjust the individual's back position in one continuous movement and with raised assistance.



Bi-material cover*

The newly designed backrest cover has been shaped to cover the back canes, providing additional comfort to the individual. The lumbar supporting strap is now more accessible and can be placed where required.



Transit chair

The Transit version offers seat heights of 460, 485 and 510 mm with 12" plastic rear wheels.



Tie-down hook

A brightly coloured hook allows simple and secure fixation in a vehicle.



Front castor

Front castors available in 5", 6" and 8" pneumatic or solid tyre, with various options of tyre width also available.



Headrests

A neckrest, headrest or cheek support are all available, depending on individual's needs. These elements can all be adjusted on the backbrace, changing the height or depth to ensure the most optimum position.

Features and options



Dual handrim propulsion*

Specifically for hemiplegic use and ease of propulsion, this handrim with QR mechanism makes the chair easily foldable.

Backrest types

On top of the fixed backrest (0° or 7°), **Action³_{NG}** offers 4 different types of backrests to suit individual needs:

- ① folding
- ② angle adjustable (-15°/+15°)
- ③ ratchet reclining (0°/30°)
- ④ gas spring reclining (0°/30°)



Cushion Options



Cushion options

Choose from a range of Invacare cushions offering basic comfort, through to HR Foam with Gel Packs for higher risk. Go on-line to find out more at www.invacare.co.uk.



Armrest assortment options

- ① Swing away detachable, ② swing away detachable height-adjustable, ③ removable and height-adjustable RIO, ④ removable height-adjustable and ⑤ hemi.



Anti-tip device

Provides extra safety and comes either fixed (top) or removable (bottom) versions.



Transparent tray

Useful for mealtimes and leisure activities such as reading.



Matrix® backrest

Matrix Elite and **Elite Deep** can be added as an option to provide greater comfort.



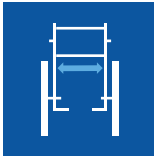






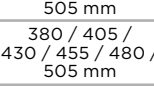
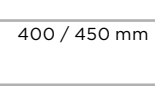
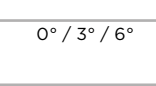
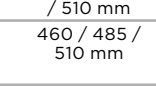
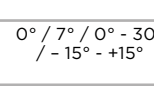
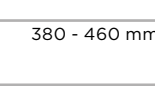
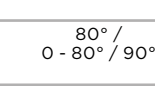
Buckle belt



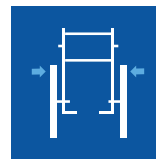




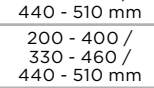
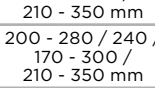
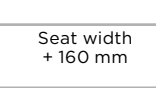

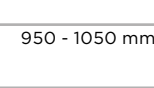
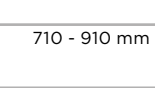
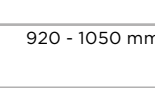
This optional **BodyPoint®** belt brings increased safety whilst seated as well as increased comfort and postural support.




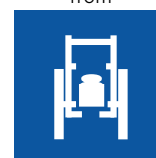

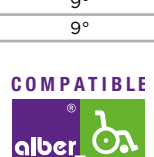

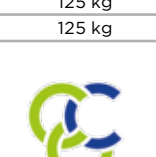
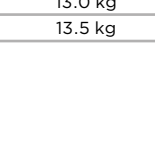
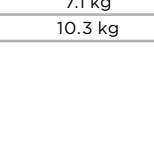
*Action⁴_{NG} shown

Technical data

For more comprehensive information about this product, including the product's user manual, please visit www.invacare.co.uk

	Seat width	Seat depth	Seat angle	Seat height	Backrest angle	Backrest height	Front frame angle
Self Propulsion	 380 / 405 / 430 / 455 / 480 / 505 mm	 400 / 450 / 500 mm	 0° / 3° / 6°	 360 / 385 / 410 / 435 / 460 / 485 / 510 mm	 0° / 7° / 0° - 30° / - 15° - +15°	 325 - 510 mm	 80° / 0 - 80° / 90°
Transit	 380 / 405 / 430 / 455 / 480 / 505 mm	 400 / 450 mm	 0° / 3° / 6°	 460 / 485 / 510 mm	 0° / 7° / 0° - 30° / - 15° - +15°	 380 - 460 mm	 80° / 0 - 80° / 90°

	Length of footrests	Armrest height	Driving unit width	Total width, folded	Total length inc. footrests	Total length without footrests	Total height
Self Propulsion	 200 - 400 / 330 - 460 / 440 - 510 mm	 200 - 280 / 240 / 170 - 300 / 210 - 350 mm	 Seat width + 190 mm	 295 mm	 980 - 1105 mm	 835 - 960 mm	 820 - 1050 mm
Transit	 200 - 400 / 330 - 460 / 440 - 510 mm	 200 - 280 / 240 / 170 - 300 / 210 - 350 mm	 Seat width + 160 mm	 260 mm	 950 - 1050 mm	 710 - 910 mm	 920 - 1050 mm

	Max. safe slope	Radius	Max. user weight	Total weight from	Mass of the heaviest part, from
Self Propulsion	 9°	 870 mm	 125 kg	 13.0 kg	 7.1 kg
Transit	 9°	 870 mm	 125 kg	 13.5 kg	 10.3 kg



Frame colours

Hypnotic Purple



Matt Black



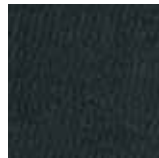
Blue Pop



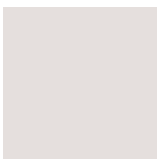
Matt Red



Black Nylon



Pearl White



Water Blue



Electric Green



Anthracite Black



Upholstery

Follow us on social media:



Please notice colours may vary slightly from those displayed above.

Invacare Limited
Pencoed Technology Park - Pencoed
Bridgend CF35 5AQ - United Kingdom
Tel: +44 1 656 776 222
Fax: +44 1656 776 220
E-mail: uk@invacare.com
Sales Order E-mail: ordersuk@invacare.com
www.invacare.co.uk

Invacare Ireland Ltd
Unit 5 - Seatown Business Campus
Seatown Road - SWORDS
County Dublin - Ireland
Tel. +353 1 8107084
Fax +353 1 8107085
Email: Ireland@invacare.com
www.invacare.ie



Yes, you can.®