

# 9000 Topaz™



## Parts Catalog Usage Guide

The information contained in this document is subject to change without notice. This catalog contains service parts for Form No. 00-103. If you have any questions regarding this catalog, please contact one of our Customer Service Representatives.

For Customer Service Support Call:

1-800-333-6900

For Faxed In Orders Call:

1-800-678-4682 or

1-440-366-0709

For Technical Service Call:

1-800-832-4707

Literature Can Be Found at:

[www.invacare.com](http://www.invacare.com) or

1-800-828-6272

### SYMBOL DEFINITION

Throughout this catalog you will notice letters to draw your attention to specific footnotes which are located at the bottom of the page or below specified charts.

Examples:

A,B,C etc. = Special Comments

NOTE: = General information pertaining to that specific page

NLA = No Longer Available

### HARDWARE MEASUREMENTS

The measurements for the hardware will be listed as follows:

Screws, Bolts Diameter X Thread Count/Pitch X Length

Washers Inside Diameter X Outside Diameter X Thickness

Spacers Inside Diameter X Outside Diameter X Length

For your convenience, we have supplied an area for you to list your Invacare Representatives.

Name	Phone Numbers

©2008 Invacare Corporation, Elyria, Ohio. Invacare, the Medallion Design, and Yes, you can. are registered trademarks; Topaz is a registered trademark of Invacare Corporation.

# TABLE of CONTENTS

Description	Page Number
Accessories - I.V. Oxygen Holder - T1496, Oxygen Holder -T1497 .....	58
Accessories - I.V. Rod - Telescoping - T1322 .....	60
Accessories - Push Bar - T1483 .....	62
Accessories, Miscellaneous .....	54
Arms - Adjustable Height .....	20
Arms - Adjustable Height - Bariatric .....	23
Arms - Fixed Height .....	25
Arms - Fixed Height - Bariatric .....	28
Back Canes and Hardware .....	13
Crossbraces and Hardware .....	11
Forks and Hardware .....	30
Frame and Hardware - Bariatric .....	9
Frame Finishes, Packaging, and Upholstery Colors .....	4
Frames and Hardware .....	5
Front Caster and Hardware - 1228HD Semi-Pneumatic .....	33
Front Casters and Hardware - 1228 & 1259 Semi-Pneumatic .....	31
Front Riggings - Calf Pads .....	51
Front Riggings - Footrest Support Assembly - TZ33A .....	45
Front Riggings - Legrest Support Assembly - TZ34A .....	47
Front Riggings - One Piece Footboard .....	52
Front Riggings - Pivot Slide Tube with Footplate .....	49

# TABLE of CONTENTS

Description	Page Number
Rear Wheel and Hardware .....	35
Upholstery - Back and Seat & Hardware .....	15
Wheel Locks - Clamp-On - After 9/1/05 .....	43
Wheel Locks - Disk Style - Between 8/15/03 - 8/31/05 .....	41
Wheel Locks - Push & Pull - Chrome Chairs - Before 9/1/05 .....	37
Wheel Locks - Push & Pull - Color Chairs - Before 9/1/05 .....	39

# Frame Finishes, Packaging, and Upholstery Colors

NOTE: When adjusting or replacing parts, please refer to your Owner's Manual for assistance.

## Upholstery Colors

Part Number	Description
U240	Black Nylon
U67	Black Vinyl
U550	Midnight Blue Vinyl

## Frame Finishes

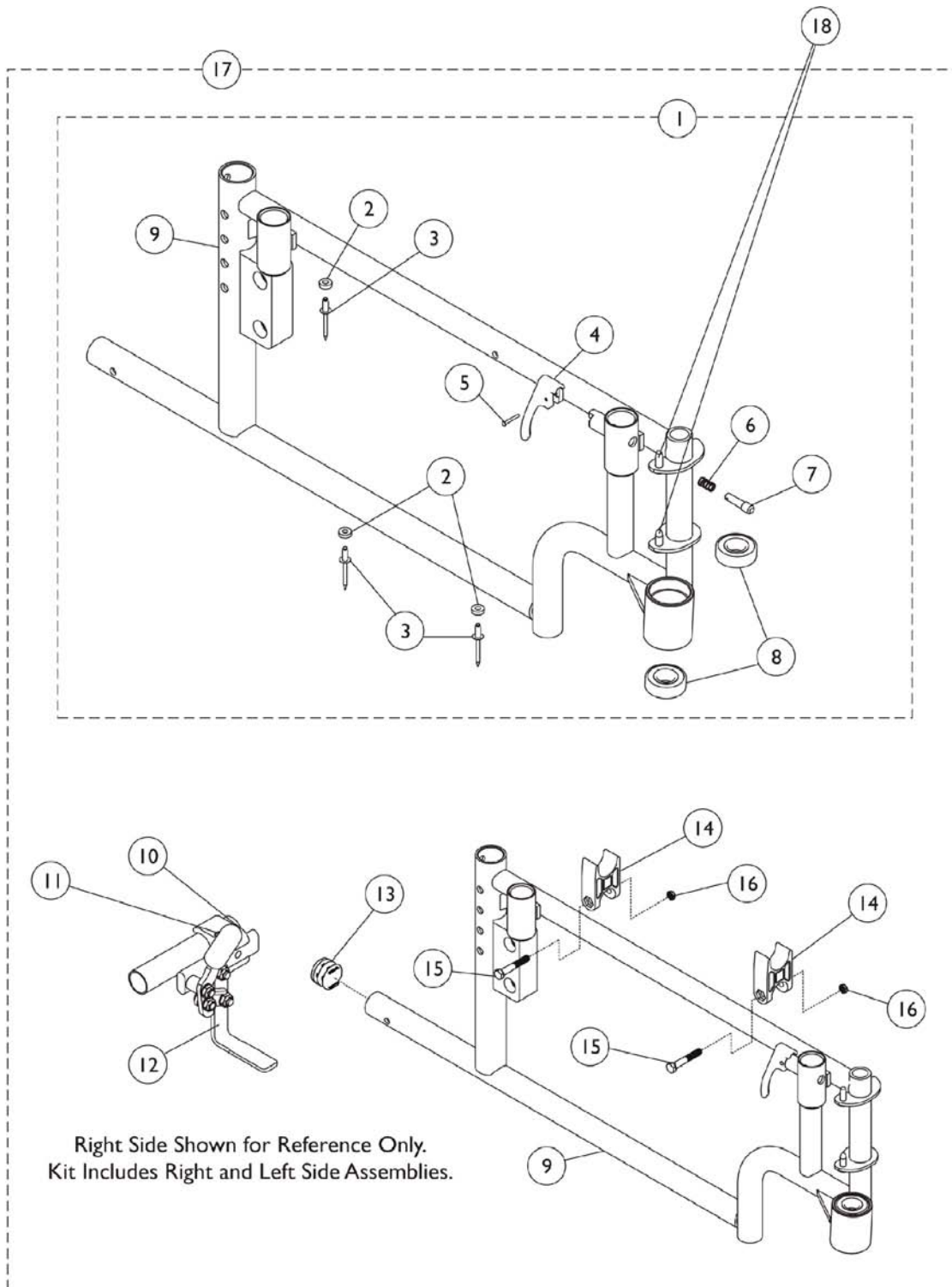
Part Number	Color Description	Touch-Up Paint
15P	Chrome	Not Available See Note(s) A
24P	Wet Black	1031450
62P	Electric Blue	1046320 See Note(s) B
71P	Silver Vein	N/A
104P	Electric Teal	1101316 See Note(s) B

NOTE: A - The chrome finish is no longer available for chairs manufactured after 1/30/01.  
B - The painted finish is no longer available for chairs manufactured after 3/5/01.

## Packaging and Literature

Part Number	Description
1100551	Carton
40131X039	Insert
40131X041	Insert, Top
40131X011	Insert, Top
1102229	Insert, Carton
00077X031	Warranty Card
1100869	Owner's Manual, 9000 Topaz
1102154	Decals

# Frames and Hardware



## Frames and Hardware

Item Number	Note	Part Number	Description	Quantity Per	
				Package	Assembly
1	A,B,C	8881139590	Side Frame Assembly, Color - Right	1	1
2			Washer, Nylon (3/16 x 7/16 x 1/8")	1	3
3			Rivet (3/16 x 7/16")	1	3
4			Handle, Lock, Black - Right	1	1
5			Rivet, Tubular	1	1
6			Spring, Arm Lock	1	1
7			Pin, Locking	1	1
8			Bearing (5/8")	1	2
9			Frame, Side, Color - Right	1	1
1	A,B,C	8881139591	Side Frame Assembly, Color - Left	1	1
2			Washer, Nylon (3/16 x 7/16 x 1/8")	1	3
3			Rivet (3/16 x 7/16")	1	3
4			Handle, Lock, Black - Left	1	1
5			Rivet, Tubular	1	1
6			Spring, Arm Lock	1	1
7			Pin, Locking	1	1
8			Bearing (5/8")	1	2
9			Frame, Side, Color - Left	1	1
17	C,D,E	8881139600	Kit, Frames and Push to Lock Wheel Locks, Color	1	1
2			Washer, Nylon (3/16 x 7/16 x 1/8")	1	6
3			Rivet (3/16 x 7/16")	1	6
4			Handle, Lock, Black - Right	1	1
4			Handle, Lock, Black - Left	1	1
5			Rivet, Tubular	1	1
6			Spring, Arm Lock	1	2
7			Pin, Locking	1	2
8			Bearing (5/8")	1	4
9			Frame, Side, Color - Right	1	1
9			Frame, Side, Color - Left	1	1
10			Clamp, Wheel Lock, Threaded (7/8")	1	2
10			Clamp, Wheel Lock, Non-Threaded (7/8")	1	2
11			Screw, Allen Head (1/4-20 x 1")	1	4
12			Wheel Lock, Hi-Mount, Push to Lock - Right	1	1
12			Wheel Lock, Hi-Mount, Push to Lock - Left	1	1
13			Plug Button, Black (3/4")	1	2
14	H-Block	1	4		
15	Screw, Hex Head (1/4-20 x 1-1/2")	1	4		
16	Locknut (1/4-20)	1	4		
17	C,D,E	8881139601	Kit, Frames and Pull to Lock Wheel Locks, Color	1	1
2			Washer, Nylon (3/16 x 7/16 x 1/8")	1	6
3			Rivet (3/16 x 7/16")	1	6
4			Handle, Lock, Black - Right	1	1
4			Handle, Lock, Black - Left	1	1
5			Rivet, Tubular	1	2

## Frames and Hardware

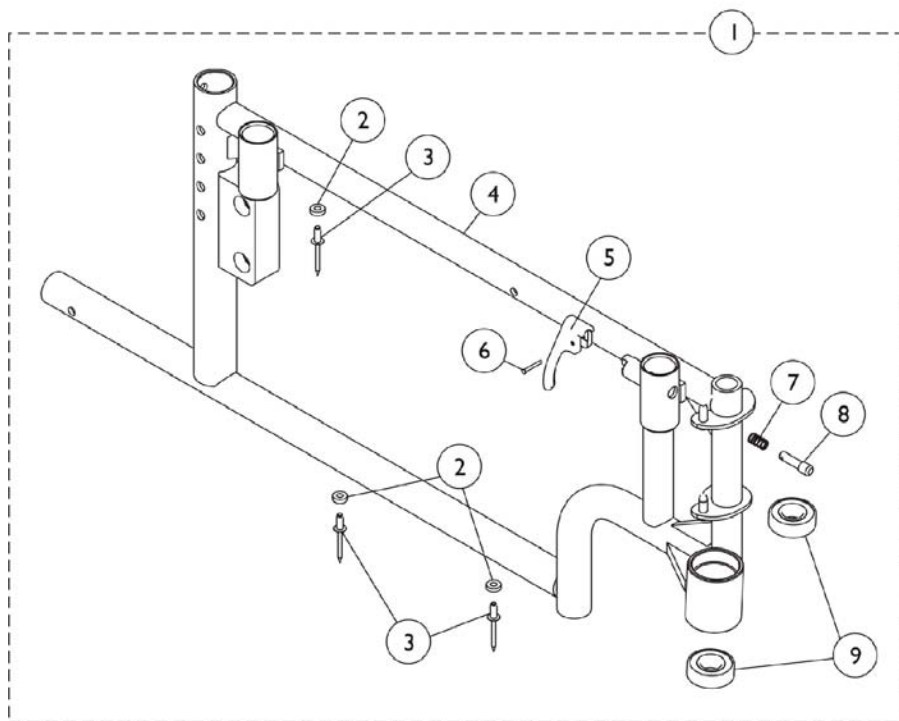
Item Number	Note	Part Number	Description	Quantity Per	
				Package	Assembly
6			Spring, Arm Lock	1	2
7			Pin, Locking	1	2
8			Bearing (5/8")	1	4
9			Frame, Side, Color - Right	1	1
9			Frame, Side, Color - Left	1	1
10			Clamp, Wheel Lock, Threaded (7/8")	1	2
10			Clamp, Wheel Lock, Non-Threaded (7/8")	1	2
11			Screw, Allen Head (1/4-20 x 1")	1	4
12			Wheel Lock, Hi-Mount, Pull to Lock - Right	1	1
12			Wheel Lock, Hi-Mount, Pull to Lock - Left	1	1
13			Plug Button, Black (3/4")	1	2
14			H-Block	1	4
15			Screw, Hex Head (1/4-20 x 1-1/2")	1	4
16			Locknut (1/4-20)	1	4
18		1096781	Hardware Kit, Hinge Replacement	1	1
			Wrench, Allen (3/32")	1	1
			Cap, Threaded	1	4
			Washer, Locking Split (#10)	1	4
			Screw, Regulator (8-32 x 3/8")	1	4
	F,G	1100792	Hardware, Frame	1	1
			Plug Button, Black (3/4")	1	2
			H-Block	1	4
			Screw, Hex Head (1/4-20 x 1-1/2")	1	4
			Locknut (1/4-20)	1	4
	F	8881101479-NL A	Frame w/ Bearings, Rivets & Lock Handles, Color - Right	1	1
	F	8881101480-NL A	Frame w/ Bearings, Rivets & Lock Handles, Color - Left	1	1
	F	1101481-NLA	Frame w/ Bearings, Rivets & Lock Handles, Chrome - Right	1	1
	F	1101482-NLA	Frame w/ Bearings, Rivets & Lock Handles, Chrome - Left	1	1
	H	7100053	Arm Lock Assembly, Black - Right	1	1
			Handle, Lock, Black - Right	1	1
			Rivet, Tubular	1	2
			Pin, Locking	1	2
			Spring, Arm Lock	1	2
	H	7100054	Arm Lock Assembly, Black - Left	1	1
			Handle, Lock, Black - Left	1	1
			Rivet, Tubular	1	2
			Pin, Locking	1	2
			Spring, Arm Lock	1	2



# Frames and Hardware

NOTE: A - Includes items 2-9.  
B - For replacement of chairs with clamp-on style wheel locks only. Any other style wheel lock will need the complete kit including side frames and wheel locks.  
C - Specify frame color when ordering. See category titled, " Frame Finishes, Packaging, and Upholstery Colors."  
D - Includes items 2-16.  
E - Effective 9/1/05, due to style change of side frame and the option of clamp-on wheel locks, side frames will have to be replaced in pairs.  
F - Not shown.  
G - Includes items 13, 14, 15 and 16.  
H - Not shown. Includes items 4-7.

# Bariatric Frame and Hardware

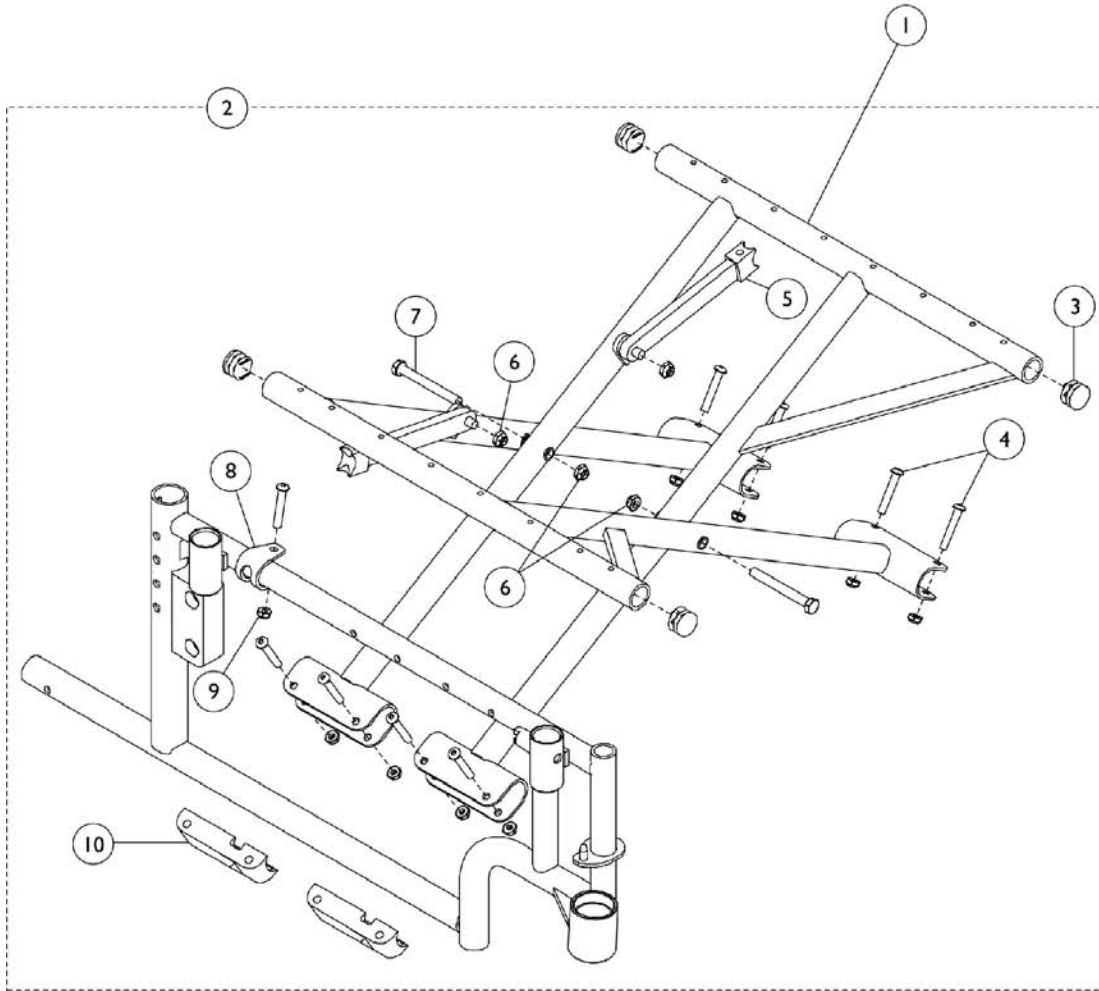


## Bariatric Frame and Hardware

Item Number	Note	Part Number	Description	Quantity Per	
				Package	Assembly
1	A,B	8881140874	Frame Assembly, Side, Color - Right	1	1
2			Washer, Nylon (3/16 x 7/16 x 1/8")	1	3
3			Rivet (3/16 x 7/16")	1	3
4			Frame, Side, Color - Right	1	1
5			Handle, Lock, Black - Right	1	1
6			Rivet, Tubular	1	1
7			Spring, Arm Lock	1	1
8			Pin, Locking	1	1
9			Bearing (5/8")	1	2
1	A,B	8881140875	Frame Assembly, Side, Color - Left	1	1
2			Washer, Nylon (3/16 x 7/16 x 1/8")	1	3
3			Rivet (3/16 x 7/16")	1	3
4			Frame, Side, Color - Left	1	1
5			Handle, Lock, Black - Left	1	1
6			Rivet, Tubular	1	1
7			Pin, Locking	1	1
8			Spring, Arm Lock	1	1
9			Bearing (5/8")	1	2
	C	7100053	Arm Lock Assembly, Black - Right	1	1
			Handle, Lock, Black - Right	1	1
			Rivet, Tubular	1	1
			Pin, Locking	1	1
			Spring, Arm Lock	1	1
	C	7100054	Arm Lock Assembly, Black - Left	1	1
			Handle, Lock, Black - Left	1	1
			Rivet, Tubular	1	2
			Pin, Locking	1	2
			Spring, Arm Lock	1	2

NOTE: A - Includes items 2-9.  
 B - Specify color when ordering. See category titled, "Frame Finishes, Packaging and Upholstery Colors."  
 C - Not shown. Includes items 5-8.

# Crossbraces and Hardware



## Crossbraces and Hardware

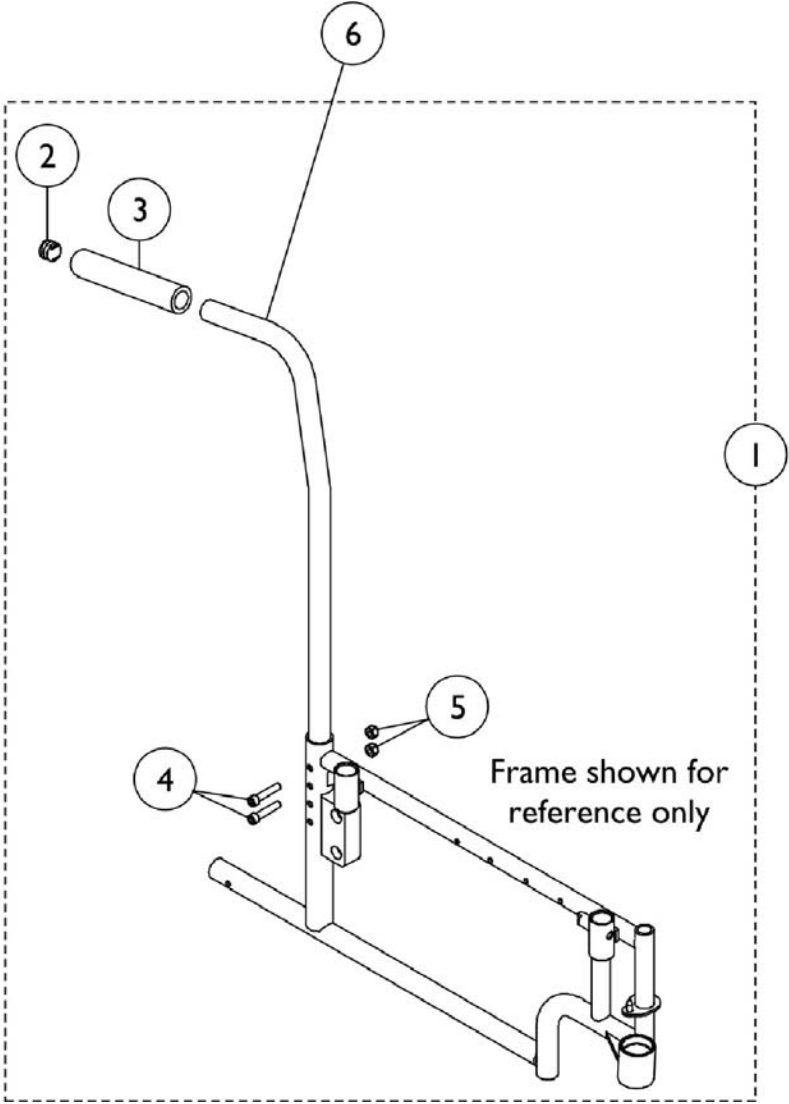
Item Number	Note	Part Number	Description	Quantity Per	
				Package	Assembly
1		See Chart	#1 Crossbraces without Hardware	1	1
2	A	1100791	Hardware, Crossbrace (20" W)	1	1
2	A	1100828	Hardware, Crossbrace (22" W)	1	1
2	A	1100829	Hardware, Crossbrace (24" W)	1	1
2	A	1100830	Hardware, Crossbrace (26" W)	1	1
2	A	1100831	Hardware, Crossbrace (28" W)	1	1
2	A	1100832	Hardware, Crossbrace (30" W)	1	1
3		1027095	Plug Button, Black (7/8")	1	4
4		1008495	Screw, Socket Button Head (1/4-20 x 1-1/2")	1	10
5		1100833	Link, Black (20" W)	1	2
5		1100834	Link, Black (22" W)	1	2
5		1100835	Link, Black (24" W)	1	2
5		1100836	Link, Black (26" W)	1	2
5		1100837	Link, Black (28" W)	1	2
5		1100838	Link, Black (30" W)	1	2
6		60264X001	Locknut (5/16-24)	1	1
7		40317X001	Screw, Hex Head (5/16-24 x 2-3/4")	1	2
8		1012180	Bracket, Pivot, Black	1	2
9		60275X000	Locknut (1/4-20)	1	1
10		1012172	Clamp, Saddle	1	4

NOTE: A - Includes Items 3-10.

### #1 Crossbraces without Hardware

Chair Width:	Side	18" Chair Depth	20" Chair Depth
20"	Right	1098803	1098805
	Left	1098804	1098806
22"	Right	1098834	1098836
	Left	1098835	1098837
24"	Right	1098839	1098841
	Left	1098840	1098842
26"	Right	1098844	1098846
	Left	1098845	1098847
28"	Right	1098849	1098851
	Left	1098850	1098852
30"	Right	1098782	1098790
	Left	1098783	1098791

# Back Canes and Hardware



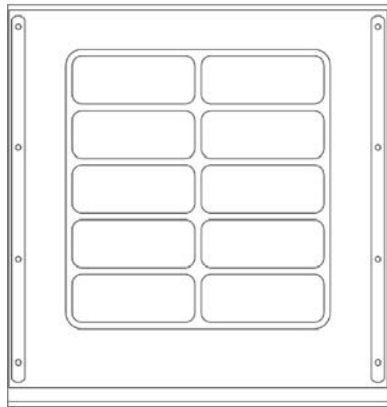
# Back Canes and Hardware

## Back Canes and Hardware

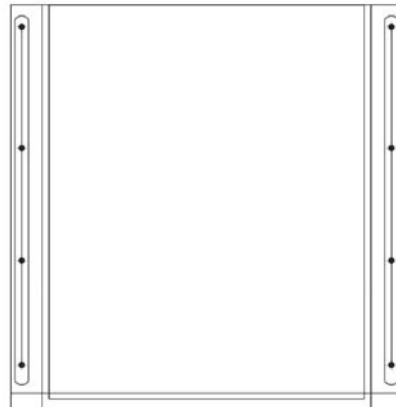
Item Number	Note	Part Number	Description	Quantity Per	
				Package	Assembly
1	A	1100785	Hardware, Back Cane	1	1
2		1027095	Plug Button, Black (7/8")	1	1
3		1032245	Grip, Foam Hand (6-7/8" L)	1	1
4		60290X002	Locknut (5/16-18)	1	2
5		1021344	Screw, Socket Head Cap (5/16-18 x 1-1/2")	1	2
6		1100769	Cane, Back, Black	1	1

NOTE: A - Includes items 2-5.

# Back / Seat Upholstery & Hardware



Back Upholstery - Vinyl



Back Upholstery - Nylon



# Back / Seat Upholstery & Hardware

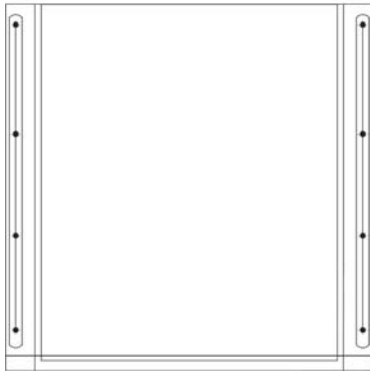
## Back Upholstery

Upholstery Type	20" Chair Width	22" Chair Width	24" Chair Width	26" Chair Width	28" Chair Width	30" Chair Width
Nylon	1101500	1101501	1101502	1101503	1101504	1101505
Expanded Vinyl, Embossed	8881101472 See Note(s) A	8881101473 See Note(s) A	8881101474 See Note(s) A	8881101475 See Note(s) A	8881101476 See Note(s) A	8881101477 See Note(s) A
NOTE: A - Specify upholstery color when ordering. See category titled, "Frame Finishes, Packaging and Upholstery Colors."						

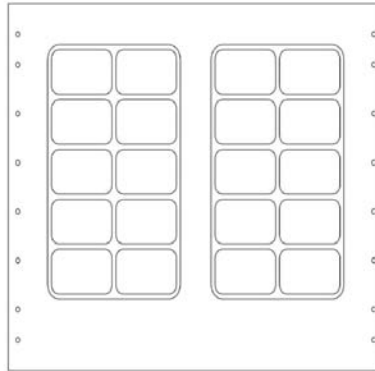
## Back Upholstery Hardware

Part Number	Description
1101446	Back Upholstery Hardware Includes: (18) Washer (1/4 x 3/4 x 3/32") (18) Screws (#12 x 7/8")

# Back / Seat Upholstery & Hardware



Seat Upholstery - Nylon



Seat Upholstery - Vinyl

## Nylon - Seat Upholstery

Depth	20" W	22" W	24" W	26" W	28" W	30" W
18" Depth	1101506	1101507	1101508	1101509	1101510	1102130
20" Depth	1101494	1101495	1101496	1101497	1101498	1101499

## Expanded Vinyl, Embossed - Seat Upholstery

Depth	20" Wide	22" Wide	24" Wide	26" Wide	28" Wide	30" Wide
18" D	8881101434	8881101435	8881101436	8881101437	8881101438	8881101439
	See Note(s) A	See Note(s) A	See Note(s) A	See Note(s) A	See Note(s) A	See Note(s) A
20" D	8881101466	8881101467	8881101468	8881101469	8881101470	8881101471
	See Note(s) A	See Note(s) A	See Note(s) A	See Note(s) A	See Note(s) A	See Note(s) A

# Back / Seat Upholstery & Hardware

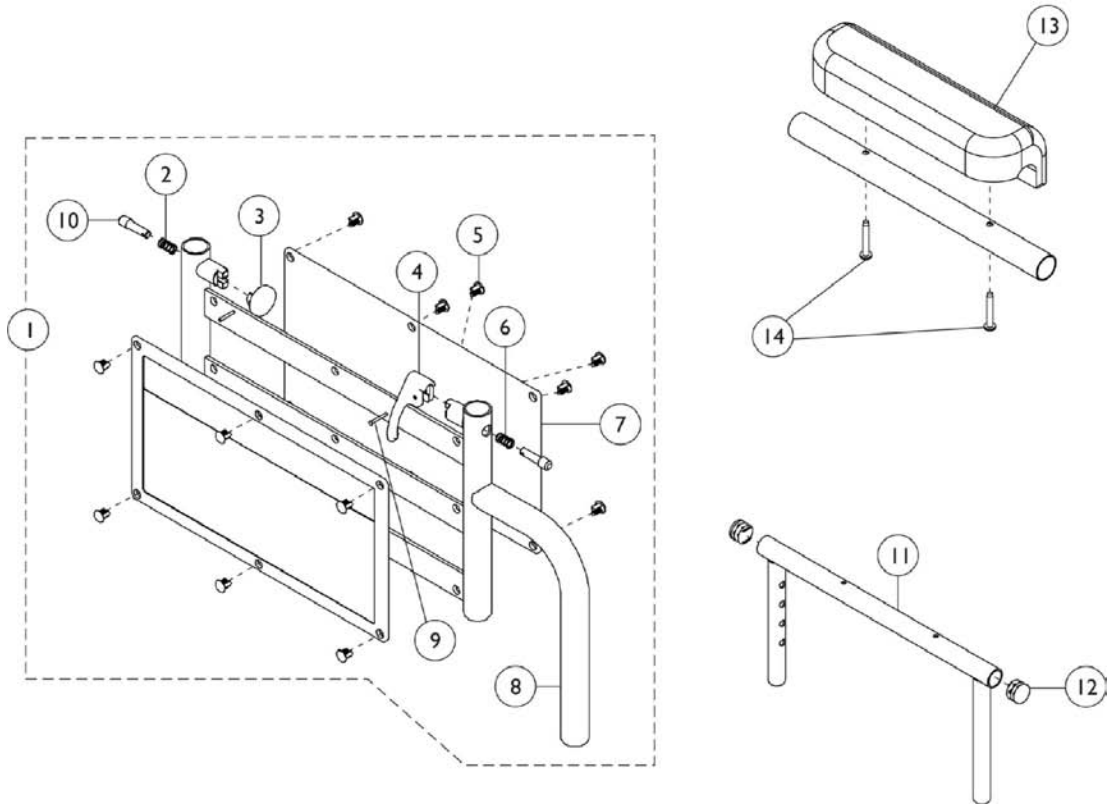
NOTE: A - Specify upholstery color when ordering. See category titled, "Frame Finishes, Packaging and Upholstery Colors."

# Back / Seat Upholstery & Hardware

## Seat Hardware

Part Number	Description	Quantity
1101447	Seat Hardware, 18" Deep Chair	Seat Upholstery Hardware Includes: (16) Washer (1/4 x 3/4 x 3/32") (16) Screws (#12 x 7/8")
1101446	Seat Hardware, 20" Deep Chair	Seat Upholstery Hardware Includes: (18) Washer (1/4 x 3/4 x 3/32") (18) Screws (#12 x 7/8")

# Adjustable Height Arms



## Adjustable Height Arms

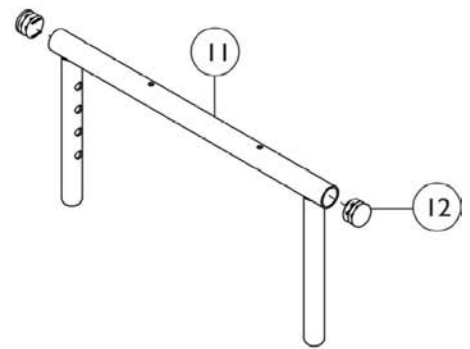
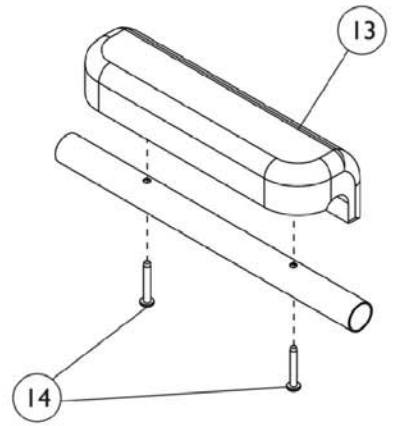
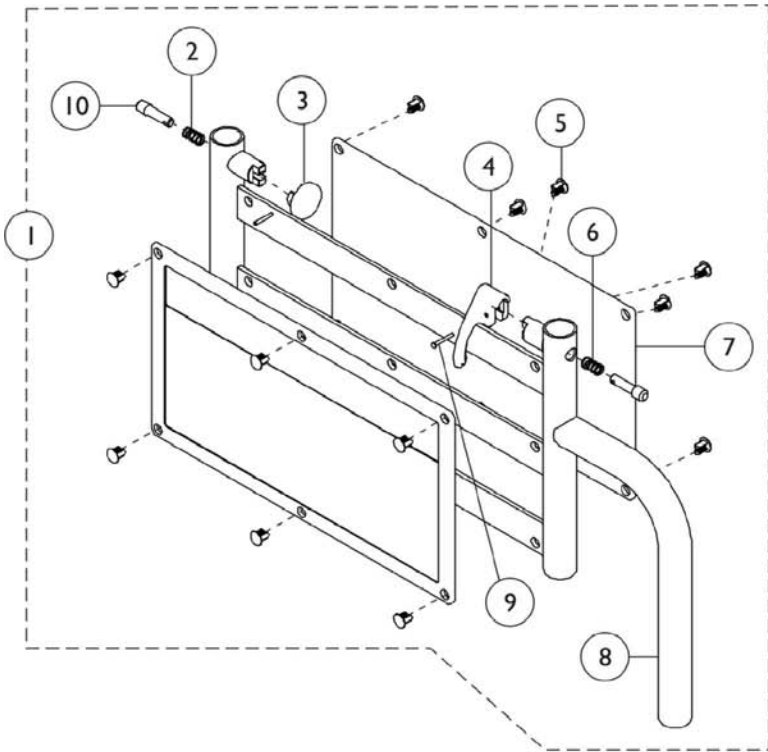
Item Number	Note	Part Number	Description	Quantity Per	
				Package	Assembly
1	A	1136069	Arm Base Assembly, Chrome - Right	1	1
2			Spring, Arm Lock	1	2
3			Lock, Handle Knob	1	1
4			Handle, Lock, Black - Right	1	1
5			Rivet	1	6
6			Pin, Roll (5/64 x 5/8")	1	1
7			Guard, Clothing	1	1
8			Base, Armrest, Chrome - Right/Left	1	1
9			Rivet, Tubular	1	1
10			Pin, Locking	1	2
1	A	1136070	Arm Base Assembly, Chrome - Left	1	1
2			Spring, Arm Lock	1	2
3			Lock, Handle Knob	1	1
4			Handle, Lock, Black - Left	1	1
5			Rivet	1	6
6			Pin, Roll (5/64 x 5/8")	1	1
7			Guard, Clothing	1	1
8			Base, Armrest, Chrome - Right/Left	1	1
9			Rivet, Tubular	1	1
10			Pin, Locking	1	2
1	A,B	8881136071	Arm Base Assembly, Color - Right	1	1
2			Spring, Arm Lock	1	2
3			Lock, Handle Knob	1	1
4			Handle, Lock, Black - Right	1	1
5			Rivet	1	6
6			Pin, Roll (5/64 x 5/8")	1	1
7			Guard, Clothing	1	1
8			Base, Armrest, Color - Right	1	1
9			Rivet, Tubular	1	1
10			Pin, Locking	1	2
1	A,B	8881136072	Arm Base Assembly, Color - Left	1	1
2			Spring, Arm Lock	1	2
3			Lock, Handle Knob	1	1
4			Handle, Lock, Black - Left	1	1
5			Rivet	1	6
6			Pin, Roll (5/64 x 5/8")	1	1
7			Guard, Clothing	1	1
8			Base, Armrest, Color - Right	1	1
9			Rivet, Tubular	1	1
10			Pin, Locking	1	2
11		1101488	Armrest, Adjustable Top with Plug Buttons, Full Length, Chrome	1	1
11		1101490	Armrest, Adjustable Top with Plug Buttons, Desk Length, Chrome	1	1

## Adjustable Height Arms

Item Number	Note	Part Number	Description	Quantity Per	
				Package	Assembly
11		1101489	Armrest, Adjustable Top with Plug Buttons, Full Length, Black	1	1
11		1101491	Armrest, Adjustable Top with Plug Buttons, Desk Length, Black	1	1
12		1027095	Plug Button, Black (7/8")	1	2
13		1110817	Pads, Arm, Desk Length, Urethane Waterfall with Screws, Black (9" L x 2-5/8" W) (Pair)	1	2
13	C	1110818	Pads, Arm, Full Length, Urethane Waterfall with Screws, Black (13" L x 2-5/8" W) (Pair)	1	2
13	C	1117327	Pad, Arm, Desk Length, Urethane Waterfall with Screws, Black (9" L x 2-5/8" W)	1	2
13		1117328	Pad, Arm, Full Length, Urethane Waterfall with Screws, Black (13" L x 2-5/8" W)	1	2
14		1102153-NLA	Hardware, Armpad	1	2
14		1115322	Hardware, Armpad (Pair)	1	2
	D,E	1090768	Kit, Lock Handle w/Rivets (both LT & RT side)	1	1
	F	7100053	Arm Lock Assembly, Black - Right	1	1
			Handle, Lock, Black - Right	1	1
			Rivet, Tubular	1	2
			Pin, Locking	1	2
			Spring, Arm Lock	1	2
	F	7100054	Arm Lock Assembly, Black - Left	1	1
			Handle, Lock, Black - Left	1	1
			Rivet, Tubular	1	2
			Pin, Locking	1	2
			Spring, Arm Lock	1	2

NOTE: A - Includes items 2-10.  
 B - Specify frame color when ordering. See category titled, "Frame Finishes, Packaging, and Upholstery Colors."  
 C - Due to style change, arm pads are now sold in pairs and include hardware.  
 D - Not shown.  
 E - Includes items 4 and 9.  
 F - Not shown. Includes items 4, 6, 9 and 10.

# Adjustable Height Arms - Bariatric



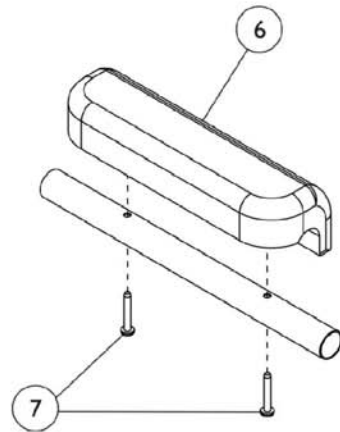
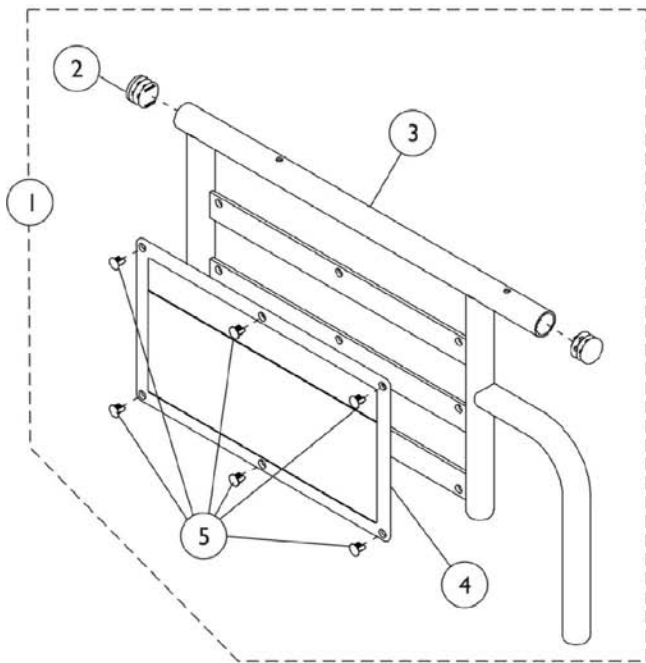


## Adjustable Height Arms - Bariatric

Item Number	Note	Part Number	Description	Quantity Per	
				Package	Assembly
1	A,B	8881140878	Arm Base Assembly, Color - Right	1	1
2			Spring, Arm Lock	1	2
3			Lock, Handle Knob	1	1
4			Handle, Lock, Black - Right	1	1
5			Rivet	1	6
6			Pin, Roll (5/64 x 5/8")	1	1
7			Guard, Clothing	1	1
8			Wldmt, Armrest Base, Color	1	1
9			Rivet, Tubular	1	1
10			Pin, Locking	1	2
1	A,B	8881140879	Arm Base Assembly, Color - Left	1	1
2			Spring, Arm Lock	1	2
3			Lock, Handle Knob	1	1
4			Handle, Lock, Black - Left	1	1
5			Rivet	1	6
6			Pin, Roll (5/64 x 5/8")	1	1
7			Guard, Clothing	1	1
8			Wldmt, Armrest Base, Color	1	1
9			Rivet, Tubular	1	1
10			Pin, Locking	1	2
11		1101489	Armrest, Adjustable Top with Plug Buttons, Full Length, Black	1	1
11		1101491	Armrest, Adjustable Top with Plug Buttons, Desk Length, Black	1	1
12		1027095	Plug Button, Black (7/8")	1	1
13		1117327	Pad, Arm, Desk Length, Urethane Waterfall with Screws, Black (9" L x 2-5/8" W)	1	2
13		1117328	Pad, Arm, Full Length, Urethane Waterfall with Screws, Black (13" L x 2-5/8" W)	1	2
14	C	1115322	Hardware, Armpad (Pair)	1	2
		7100053	Arm Lock Assembly, Black - Right	1	1
			Handle, Lock, Black - Right	1	1
			Rivet, Tubular	1	2
			Pin, Locking	1	2
	C	7100054	Arm Lock Assembly, Black - Left	1	1
			Handle, Lock, Black - Left	1	1
			Rivet, Tubular	1	2
			Pin, Locking	1	2
			Spring, Arm Lock	1	2

NOTE: A - Includes items 2-10.  
 B - Specify color when ordering. See category titled, "Frame Finishes, Packaging and Upholstery Colors."  
 C - Includes items 4, 6, 9 and 10.

# Fixed Height Arms



## Fixed Height Arms

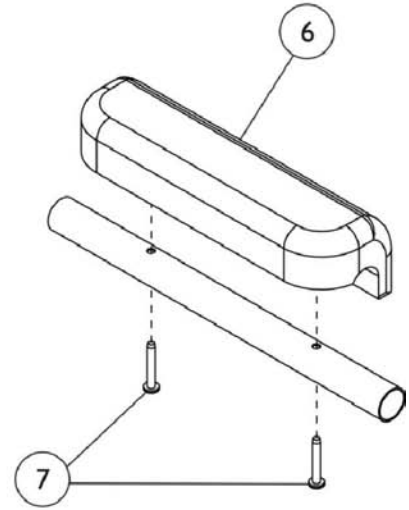
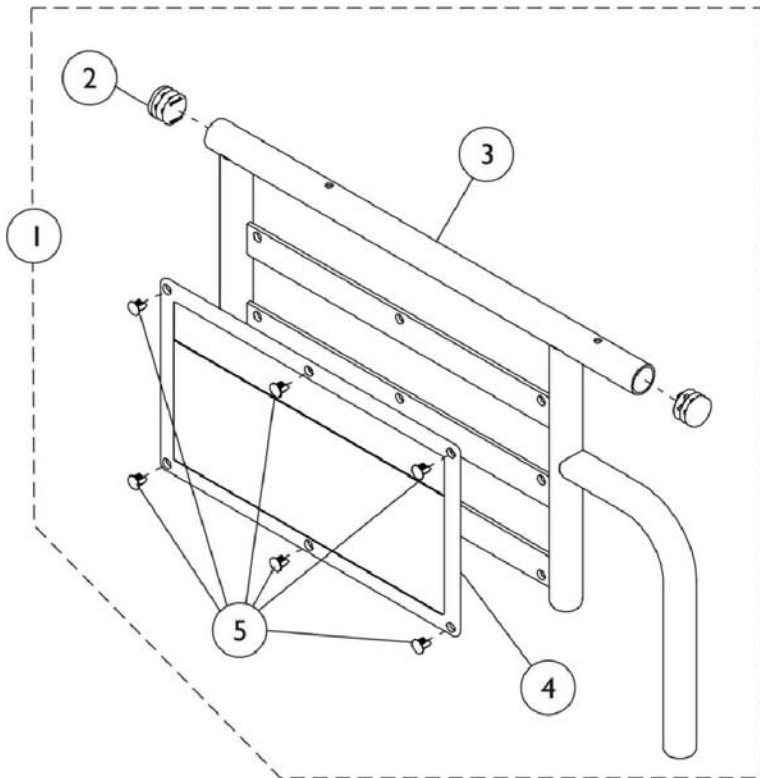
Item Number	Note	Part Number	Description	Quantity Per	
				Package	Assembly
1	A	1136075	Arm Base Assembly, Full Length, Chrome - Right	1	1
2			Plug Button, Black (7/8")	1	2
3			Base, Armrest, Full Length, Chrome - Right/Left	1	1
4			Guard, Clothing	1	1
5			Rivet	1	6
1	A	1136076	Arm Base Assembly, Full Length, Chrome - Left	1	1
2			Plug Button, Black (7/8")	1	2
3			Base, Armrest, Full Length, Chrome - Right/Left	1	1
4			Guard, Clothing	1	1
5			Rivet	1	6
1	A,B	8881136077	Arm Base Assembly, Full Length, Color - Right	1	1
			Plug Button, Black (7/8")	1	2
			Rivet	1	6
			Guard, Clothing	1	1
			Base, Armrest, Full Length, Color - Right/Left	1	1
1	A,B	8881136078	Arm Base Assembly, Full Length, Color - Left	1	1
			Plug Button, Black (7/8")	1	2
			Rivet	1	6
			Guard, Clothing	1	1
			Base, Armrest, Full Length, Color - Right/Left	1	1
1	A	1136079	Arm Base Assembly, Desk Length, Chrome - Right	1	1
2			Plug Button, Black (7/8")	1	2
3			Base, Armrest, Desk Length, Chrome - Right/Left	1	1
4			Guard, Clothing	1	1
5			Rivet	1	6
1	A	1136080	Arm Base Assembly, Desk Length, Chrome - Left	1	1
2			Plug Button, Black (7/8")	1	2
3			Base, Armrest, Desk Length, Chrome - Right/Left	1	1
4			Guard, Clothing	1	1
5			Rivet	1	6
1	A	8881136081	Arm Base Assembly, Desk Length, Color - Right	1	1
2			Plug Button, Black (7/8")	1	2
3			Base, Armrest, Desk Length, Color - Right/Left	1	1
4			Guard, Clothing	1	1
5			Rivet	1	6
1	A	8881136082	Arm Base Assembly, Desk Length, Color - Left	1	1
2			Plug Button, Black (7/8")	1	2
3			Base, Armrest, Desk Length, Color - Right/Left	1	1
4			Guard, Clothing	1	1
5			Rivet	1	6
6	C	1110817	Pads, Arm, Desk Length, Urethane Waterfall with Screws, Black (9" L x 2-5/8" W) (Pair)	2	2
6	C	1110818	Pads, Arm, Full Length, Urethane Waterfall with Screws, Black (13" L x 2-5/8" W) (Pair)	2	2

## Fixed Height Arms

Item Number	Note	Part Number	Description	Quantity Per	
				Package	Assembly
6		1117327	Pad, Arm, Desk Length, Urethane Waterfall with Screws, Black (9" L x 2-5/8" W)	1	1
6		1117328	Pad, Arm, Full Length, Urethane Waterfall with Screws, Black (13" L x 2-5/8" W)	1	1
7		1102153-NLA	Hardware, Armpad	2	1
7		1115322	Hardware, Armpad (Pair)	2	1

NOTE: A - Includes items 2-5.  
 B - Specify frame color when ordering. See category titled, "Frame Finishes, Packaging, and Upholstery Colors."  
 C - Due to style change, arm pads are now sold in pairs and include hardware.

# Fixed Height Arms - Bariatric

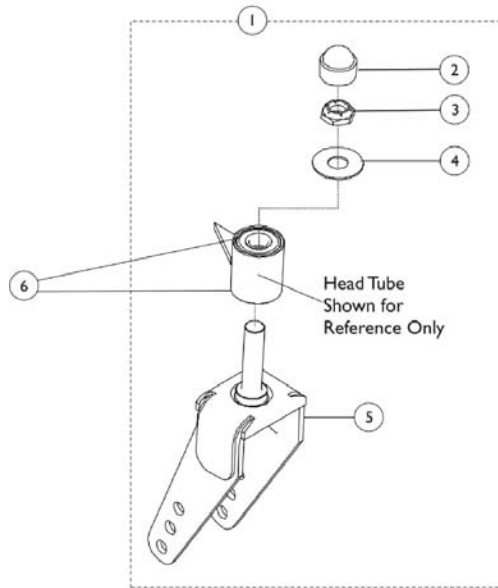


## Fixed Height Arms - Bariatric

Item Number	Note	Part Number	Description	Quantity Per	
				Package	Assembly
1	A,B	8881140892	Arm Base Assembly, Desk Length, Color - Right	1	1
2			Plug Button, Black (7/8")	1	2
3			Base, Armrest, Desk Length, Color - Right/Left	1	1
4			Guard, Clothing	1	1
5			Rivet	1	6
1	A,B	8881140893	Arm Base Assembly, Desk Length, Color - Left	1	1
2			Plug Button, Black (7/8")	1	2
3			Base, Armrest, Desk Length, Color - Right/Left	1	1
4			Guard, Clothing	1	1
5			Rivet	1	6
1	A,B	8881140885	Arm Base Assembly, Full Length, Color - Right	1	1
2			Plug Button, Black (7/8")	1	2
3			Base, Armrest, Full Length, Color	1	1
4			Guard, Clothing	1	1
5			Rivet	1	6
1	A,B	8881140886	Arm Base Assembly, Full Length, Color - Left	1	1
2			Plug Button, Black (7/8")	1	1
3			Base, Armrest, Full Length, Color	1	1
4			Guard, Clothing	1	1
5			Rivet	1	6
6		1117327	Pad, Arm, Desk Length, Urethane Waterfall with Screws, Black (9" L x 2-5/8" W)	1	2
6		1117328	Pad, Arm, Full Length, Urethane Waterfall with Screws, Black (13" L x 2-5/8" W)	1	2
7		1115322	Hardware, Armpad (Pair)	1	1
		7100053	Arm Lock Assembly, Black - Right	1	1
			Handle, Lock, Black - Right	1	1
			Rivet, Tubular	1	2
			Pin, Locking	1	2
			Spring, Arm Lock	1	2
		7100054	Arm Lock Assembly, Black - Left	1	1
			Handle, Lock, Black - Left	1	1
			Rivet, Tubular	1	2
			Pin, Locking	1	2
			Spring, Arm Lock	1	2

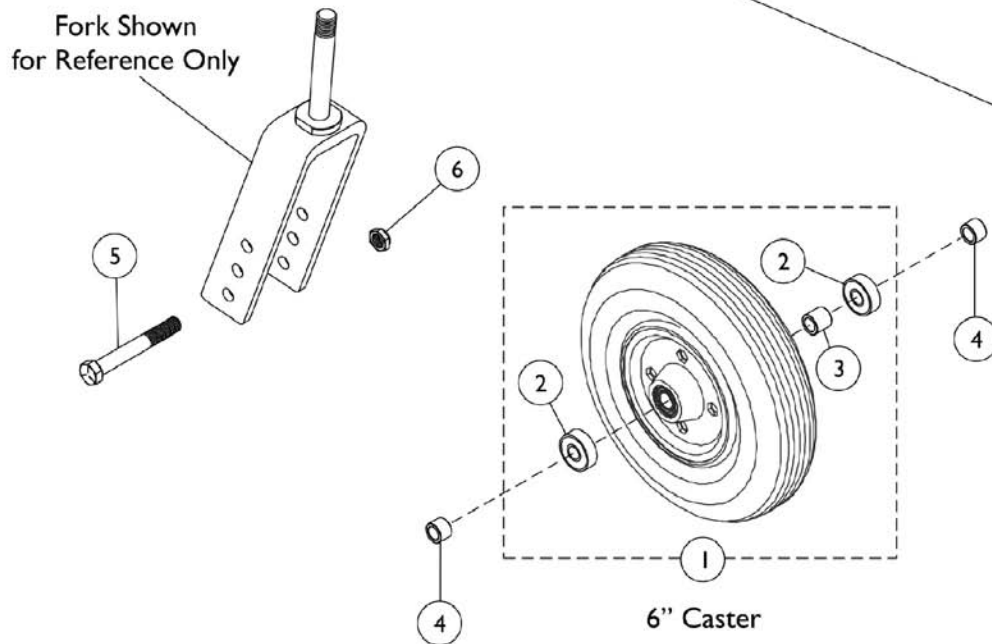
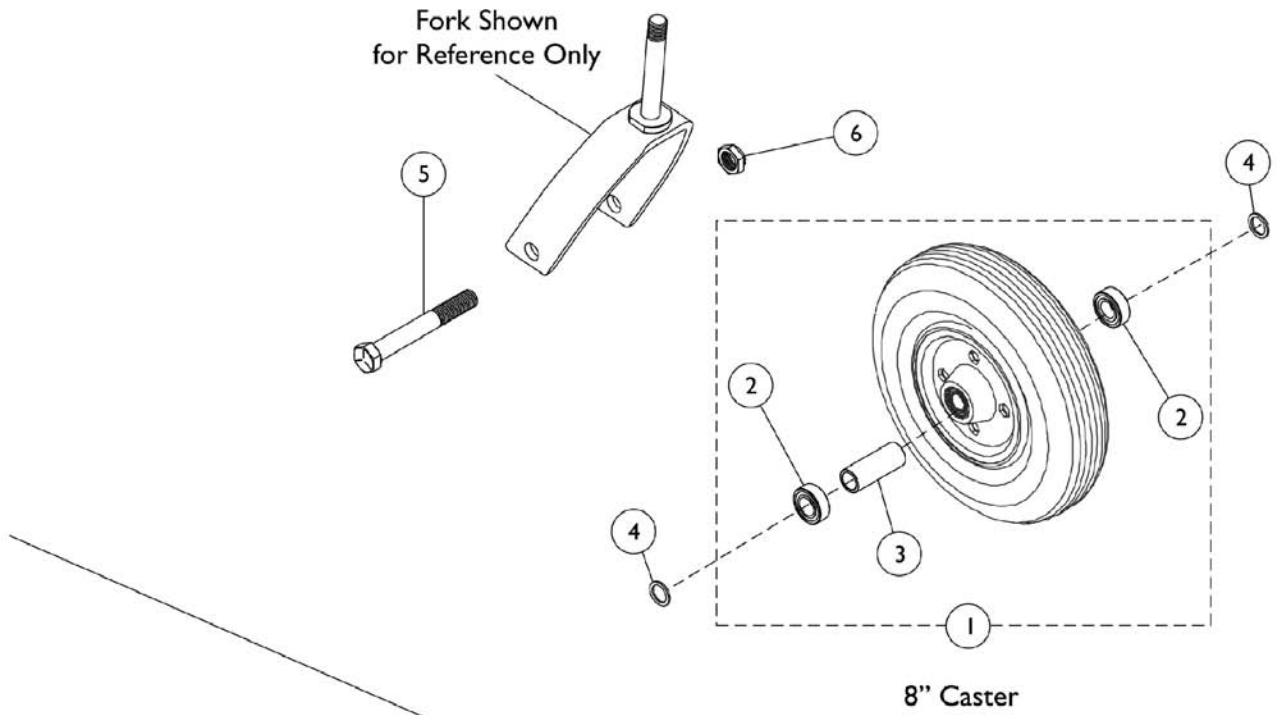
NOTE: A - Includes items 2-5.  
B - Specify color when ordering. See category titled, "Frame Finishes, Packaging and Upholstery Colors."

# Forks and Hardware



Item Number	Note	Part Number	Description	Quantity Per	
				Package	Assembly
1	A	1100810	Fork Assembly (6")	1	1
1	A	1100811	Fork Assembly (8")	1	1
2		1100809	Cap, Headtube	1	1
3		60030X000	Locknut (5/8-18)	1	1
4		1102149	Washer (5/8 x 1-19/32 x 1/16")	1	1
5		1100826	Fork, Black (6")	1	1
5		1100827	Fork, Black (8")	1	1
6	B	40117X006	Bearing (5/8")	1	2
NOTE: A - Includes Items 2-5. B - Includes top and bottom bearings.					

# Front Casters and Hardware





# Front Casters and Hardware

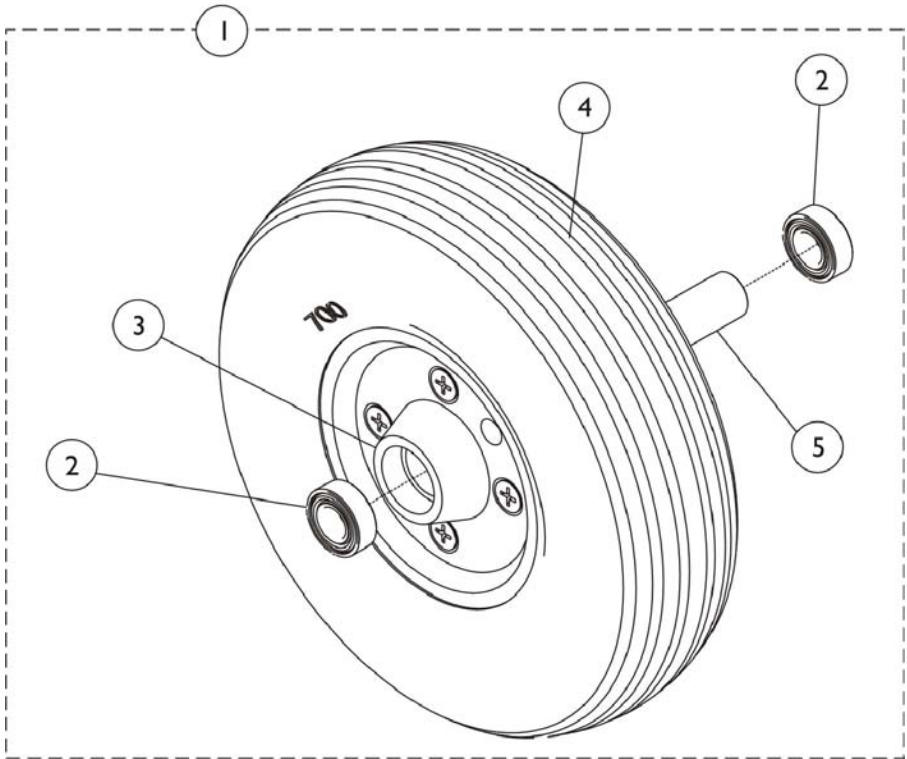
## 1228 Composite Semi-Pneumatic (8 x 1-3/4")

Item Number	Description	Part Number
1	Wheel Assembly - 1 Pair	1071666 See Note(s) A, B
1	Wheel Assembly - 1 Piece	1070811 See Note(s) A, B
1	Wheel Assembly - 1 Piece	1119532 See Note(s) C, A
2	Bearing	1006049
3	Bearing Spacer	1020592
4	Axle Washer	1016032
5	Front Axle	57667P007
6	Lock Axle Nut	20225X000
NOTE: A - Includes tire, tube/insert, bearing and spacer. B - Before 10/26/04. C - After 10/27/04.		

## 1259 Composite Semi-Pneumatic (6 x 2")

Item Number	Description	Part Number
1	Wheel Assembly - 1 Pair	1122066 See Note(s) C, A, B
2	Wheel Assembly - 1 Piece	1072014-NLA See Note(s) B
3	Bearing	1006049
4	Bearing Spacer	1020592
5	Front Axle	57667P007
6	Lock Axle Nut	20225X000
7	Axle Washer	1016032
NOTE: A - Includes tire, tube/insert, bearing, and spacer. B - Due to product improvement and design change #1122066 are sold in pairs and #1072014 is NLA. The deep profile caster has (2) tread grooves w/ round corners instead of (4) tread grooves w/ square corners. C - Chairs manufactured before 10/01/03 should order replacement wheels in pairs due to style change.		

# Front Caster and Hardware - 228HD Semi-Pneumatic

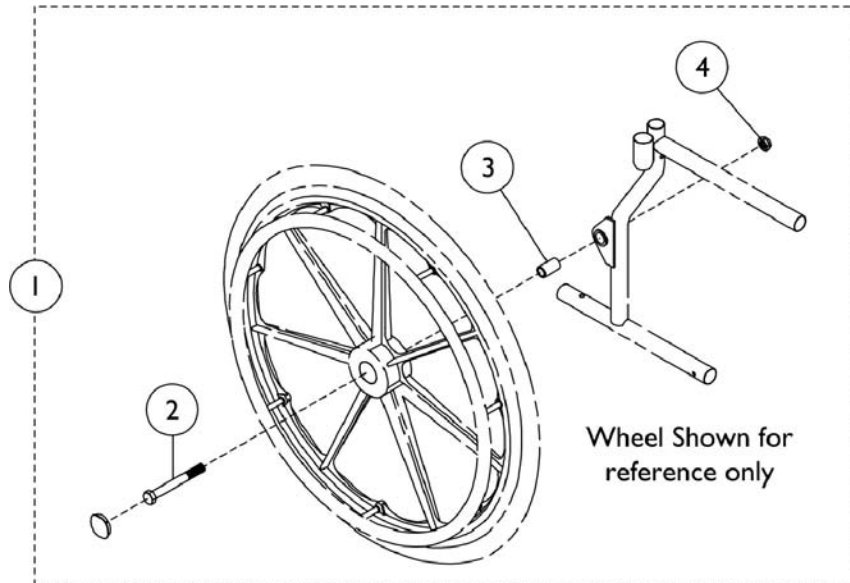


## Front Caster and Hardware - 228HD Semi-Pneumatic

Item Number	Note	Part Number	Description	Quantity Per	
				Package	Assembly
1	A	1133469	Assembly, Wheel, Urethane, Dark Gray (8" x 2")	1	1
2			Bearing (7/16")	1	2
3			Rim with Hardware, 2 Piece	1	1
4			Tire, Urethane, Dark Gray (8" x 2")	1	1
5			Spacer, Bearing (7/16 x 5/8 x 1-3/4")	1	1
	B	1034168	Caster Hardware Kit	1	1
			Screw, Hex Head (7/16-20 x 3-1/4")	1	2
			Washer (15/32 x 5/8 x 3/64")	1	4
			Locknut (7/16-20)	1	2

NOTE: A - Includes items 2-5.  
B - Not shown.

# Rear Wheel and Hardware



# Rear Wheel and Hardware

## Rear Wheel Hardware

Item Number	Note	Part Number	Description	Quantity Per	
				Package	Assembly
1	A,B	1067777	Kit, Rear Wheel Hardware	1	1
1	A,C	1102131	Hardware, Rear Wheel	1	1
2	B	1028554	Screw, Hex Head (5/8-18 x 5")	1	1
2	C	1023474	Bolt, Axle	1	1
3		1079153	Spacer	1	1
4		60030X000	Locknut (5/8-18)	1	1
		See Chart	Rear Wheels	1	1

NOTE: A - Includes Items 2-4.  
 B - Wheel style 5222 - 24" Solid Tire.  
 C - Wheel style 5763 - 20" Pneumatic Flat Free Tire.

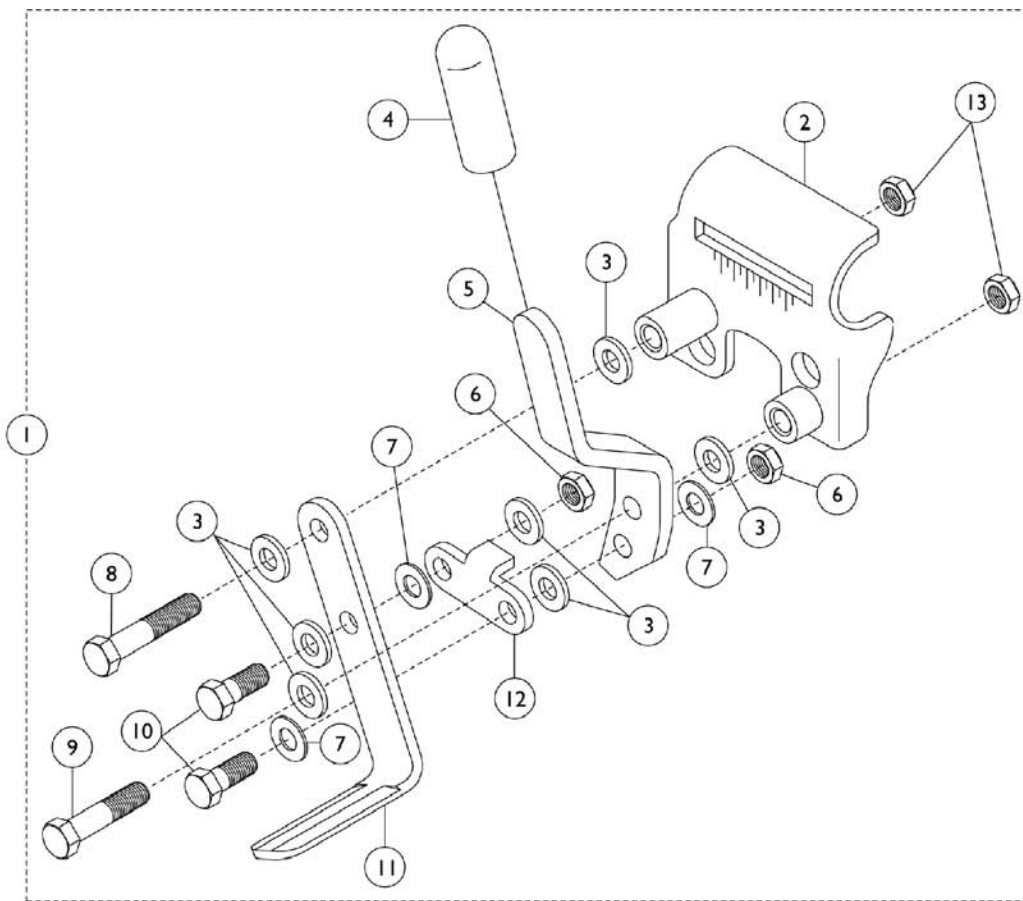
## Rear Wheels

Wheel Style	Wheel Assembly
5763BK - Composite Pneumatic w/ Flat Free Insert (20")	1098816 See Note(s) A
U5222SP - Heavy Duty Spoke Solid Rubber (24")	1123894 See Note(s) C, D, B

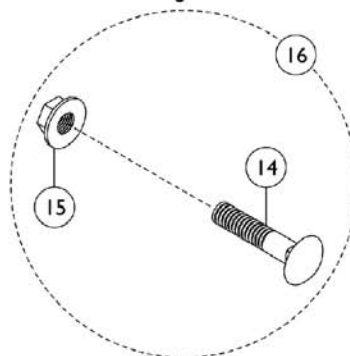
NOTE: A - For 15-1/2" seat to floor height and 6" casters.  
 B - For 17-1/2 or 19-1/2" seat to floor height and 8" casters.  
 C - Sold in pairs due to style change.  
 D - Assembly includes tires, bearings, spacers, handrim and handrim hardware.

# Wheel Locks - Push & Pull

## Chrome Chairs - Before 9/1/05



Attaching Hardware

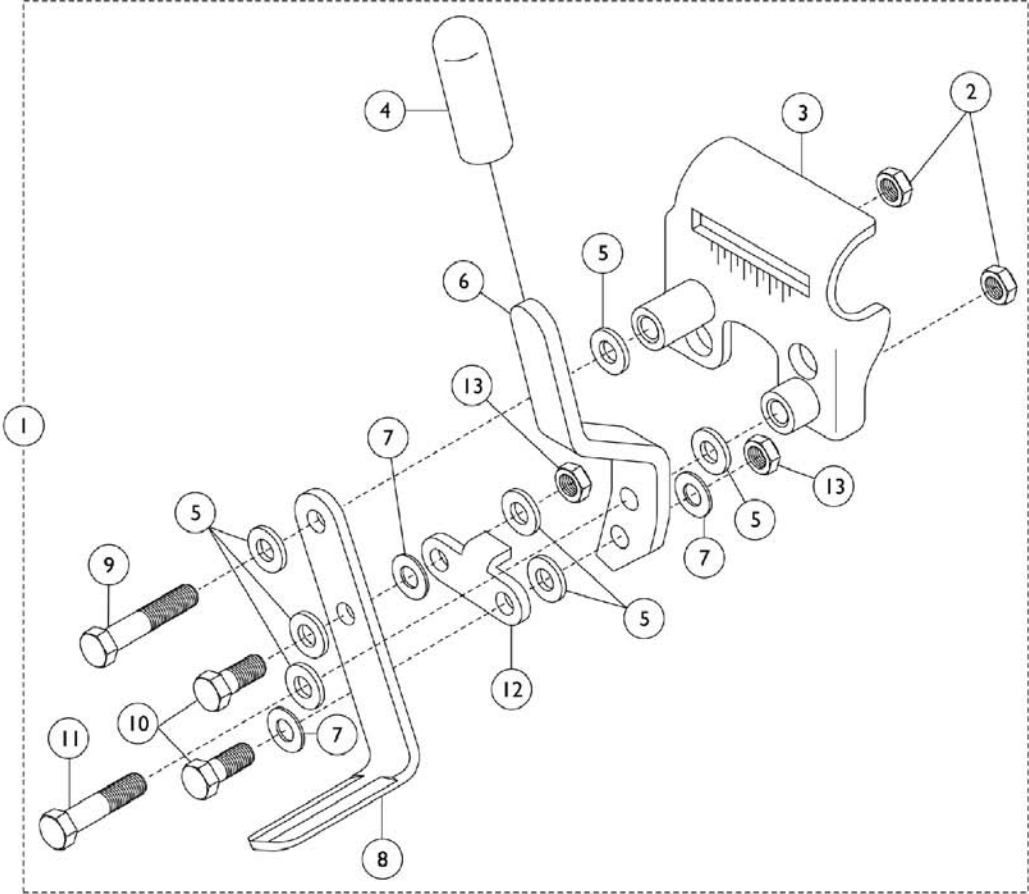


## Wheel Locks - Push & Pull Chrome Chairs - Before 9/1/05

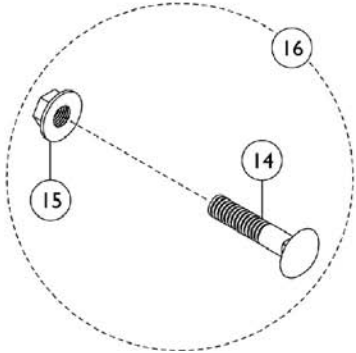
Item Number	Note	Part Number	Description	Quantity Per	
				Package	Assembly
1	C,E	1045853	Wheel Lock Assembly, Adult, Push To Lock - Right	1	1
1	C,E	1045854	Wheel Lock Assembly, Adult, Push To Lock - Left	1	1
1	D,F	1045849	Wheel Lock Assembly, Hemi, Pull to Lock - Right	1	1
1	D,F	1045850	Wheel Lock Assembly, Hemi, Pull to Lock - Left	1	1
2		1045847	Bracket, Mounting, Chrome - Right	1	1
2		1045848	Bracket, Mounting, Chrome - Left	1	1
3		1010398	Washer, Nylon (1/4 x 1/2 x 1/16")	1	7
4		47376X024	Tip, Rubber Wheel Lock Handle, Black	1	1
5	E	1016588	Handle, Push, Adult, Chrome - Right	1	1
5	E	1016589	Handle, Push, Adult, Chrome - Left	1	1
5	F	1016590	Handle, Pull, Hemi, Chrome - Right	1	1
5	F	1016591	Handle, Pull, Hemi, Chrome - Left	1	1
6		60320X000	Locknut (1/4-28)	1	1
7		40157X016	Washer (1/4 x 1/2 x 1/16")	1	1
8		16720X004	Screw, Hex Head (1/4-20 x 1-1/2")	1	1
9		1007017	Screw, Hex Head (1/4-20 x 1-1/4")	1	1
10		60274X012	Screw, Hex Head (1/4-28 x 3/4")	1	2
11		1015443	Shoe	1	1
12		1016592	Link	1	1
13		60275X000	Locknut (1/4-20)	1	1
14		1011479	Bolt, Carriage (1/4-20 x 1-1/4")	1	1
15		16721X000	Locknut (1/4-20)	1	1
16	B	1034165	Hardware, Attaching Kit (Pair)	1	1
			Bolt, Carriage (1/4-20 x 1-1/4")	1	2
			Locknut (1/4-20)	1	2
	A	00078X021	Instruction Sheet	1	1
	A,G	1038599	Wheel Lock Extensions (6") (1 Pair)	1	1
<p>NOTE: A - Not Shown.            B - Includes Items 14-15.            C - Includes Items 2-13.            D - Includes Items 2-13 and 6" Handle Extension.            E - Adult.            F - Hemi/Super Hemi.            G - Includes: Handles, Tips, Cords and Washers.</p>					
NOTE: The chrome finish is no longer available for chairs manufactured after 1/30/01.					

# Wheel Locks - Push & Pull

Color Chairs - Before 9/1/05



Attaching Hardware



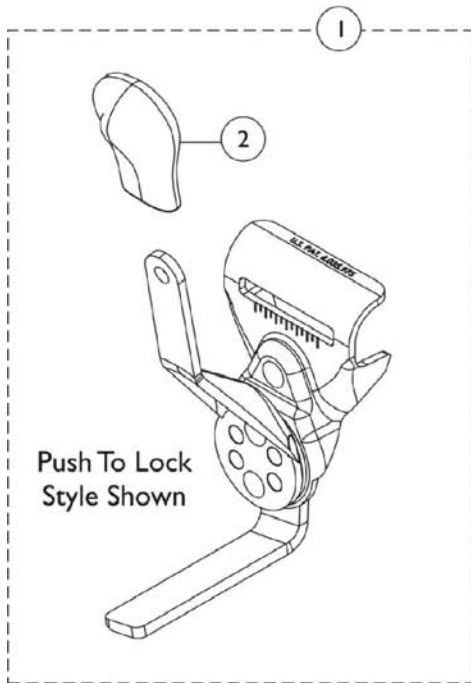
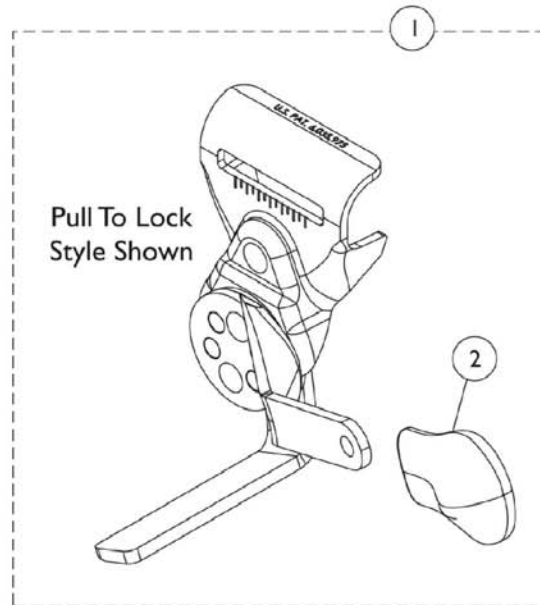
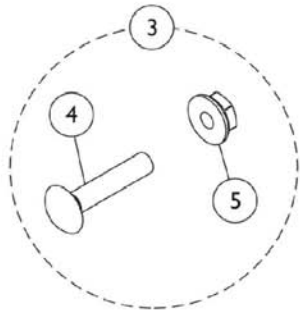


## Wheel Locks - Push & Pull Color Chairs - Before 9/1/05

Item Number	Note	Part Number	Description	Quantity Per	
				Package	Assembly
1	C,F	1101452	Wheel Lock Assembly, Push/Lock (Black) - Right	1	1
1	C,F	1101453	Wheel Lock Assembly, Push/Lock (Black) - Left	1	1
1	D,E	1101454	Wheel Lock Assembly, Pull/Lock (Black) - Right	1	1
1	D,E	1101455	Wheel Lock Assembly, Pull/Lock (Black) - Left	1	1
2		1025195	Locknut (1/4-20)	1	1
3		1053284	Bracket, Mounting, Black - Right	1	1
3		1053285	Bracket, Mounting, Black - Left	1	1
4		47376X024	Tip, Rubber Wheel Lock Handle, Black	1	1
5		1026033	Washer, Nylon (1/4 x 1/2 x 1/16")	1	7
6	E	1031780	Handle, Pull/ Lock, Black - Right	1	1
6	E	1031781	Handle, Pull/ Lock, Black - Left	1	1
6	F	1102134	Handle, Push/ Lock, Black - Right	1	1
6	F	1102135	Handle, Push/ Lock, Black - Left	1	1
7		1026103	Washer, Nylon (1/4 x 1/2 x 1/32")	1	3
8		1102133	Shoe	1	1
9		1030949	Screw, Hex Head (1/4-20 x 1-1/2")	1	1
10		1028687	Screw, Hex Head (1/4-28 x 3/4")	1	2
11		1021406	Screw, Hex Head (1/4-20 x 1-1/4")	1	1
12		1102132	Link	1	1
13		1025765	Locknut (1/4-28)	1	1
14		1021402	Bolt, Carriage (1/4-20 x 2")	1	2
15		1021403	Nut, Hex Flang (1/4-20)	1	1
16	B	1017677	Kit, Hardware, Wheel Lock	1	1
			Bolt, Carriage (1/4-20 x 2")	1	2
			Nut, Hex Flang (1/4-20)	1	2
	A	00078X021	Instruction Sheet	1	1
	A,G	1058899	Handle, Wheel Lock Extension, Black (6")	1	1

NOTE: A - Not Shown.  
B - Includes Items 14-15.  
C - Includes Items 2-13.  
D - Includes Items 2-13 and 6" Handle Extension.  
E - Pull to Lock for Hemi/Super Hemi.  
F - Push to Lock for Adult.  
G - Includes: Handles, Tips, Cords, and Washers.

# Wheel Lock - Disk Style - Between 8/15/03 - 8/31/05

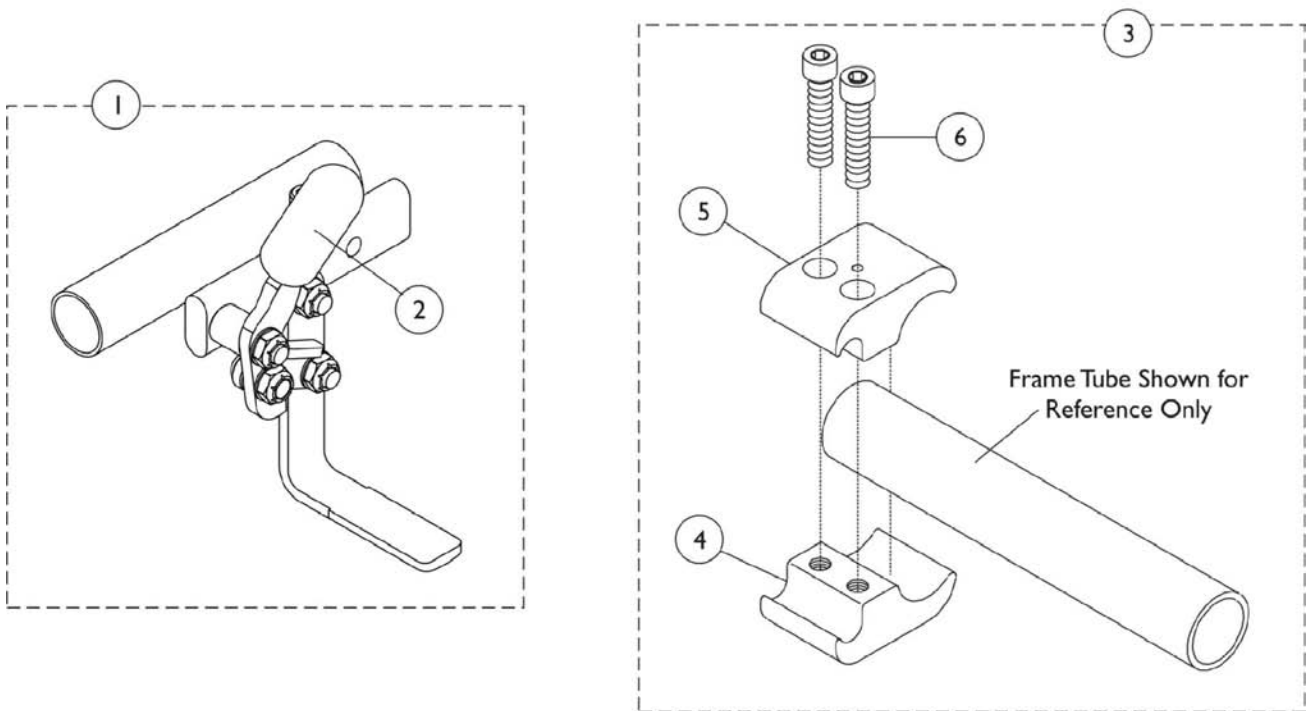


## Wheel Lock - Disk Style - Between 8/15/03 - 8/31/05

Item Number	Note	Part Number	Description	Quantity Per	
				Package	Assembly
1		1110225	Wheel Lock, Push to Lock - Right	1	1
1		1110226	Wheel Lock, Push to Lock - Left	1	1
1		1110227	Wheel Lock, Pull to Lock - Right	1	1
1		1110228	Wheel Lock, Pull to Lock - Left	1	1
2		1110160	Tip, Plastic Wheel Lock Handle, Black	1	1
3	A	1017677	Kit, Hardware, Wheel Lock	1	1
4			Bolt, Carriage (1/4-20 x 2")	1	2
5			Nut, Hex Flang (1/4-20)	1	2
	B	1038599	Wheel Lock Extensions (6") (1 Pair)	1	1
NOTE: A - Includes items 3-4. B - Not shown.					

# Wheel Locks - Clamp-On

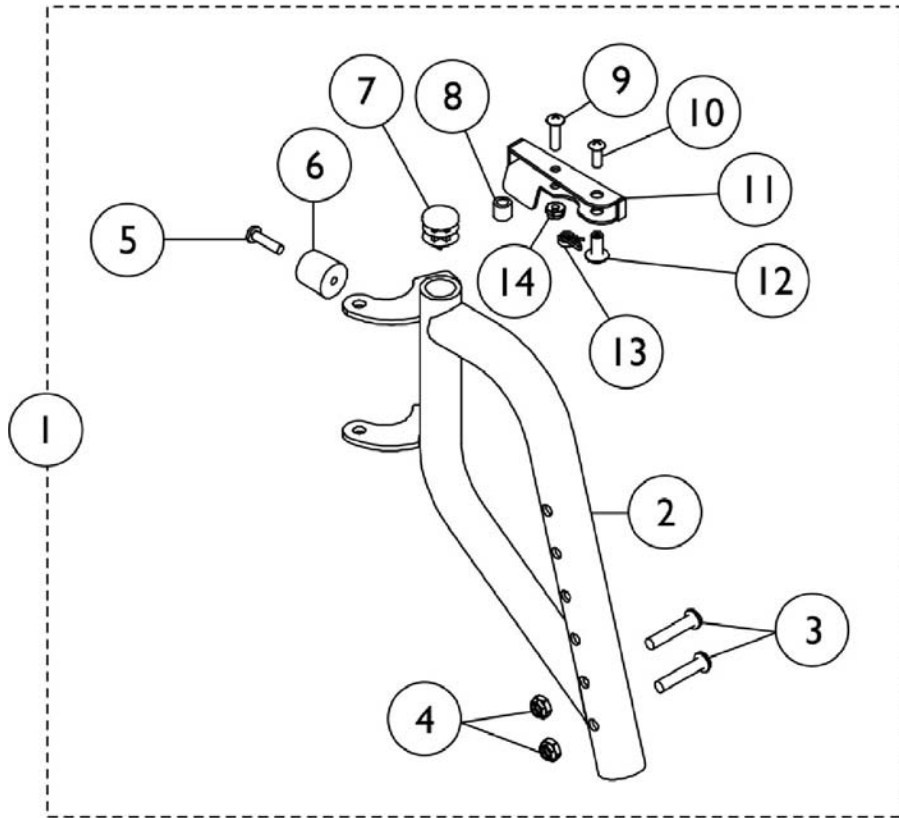
After 9/1/05



## Wheel Locks - Clamp-On After 9/1/05

Item Number	Note	Part Number	Description	Quantity Per	
				Package	Assembly
1		1049539	Wheel Lock, Hi-Mount, Pull to Lock - Right	1	1
1		1049540	Wheel Lock, Hi-Mount, Pull to Lock - Left	1	1
1		1047703	Wheel Lock, Hi-Mount, Push to Lock - Right	1	1
1		1047704	Wheel Lock, Hi-Mount, Push to Lock - Left	1	1
2		47376X024	Tip, Rubber Wheel Lock Handle, Black	1	1
3	A,B	1039343	Kit, Hardware, Clamp Wheel Lock	1	1
4			Clamp, Wheel Lock, Non-Threaded (7/8")	1	2
5			Clamp, Wheel Lock, Threaded (7/8")	1	2
6			Screw, Allen Head (1/4-20 x 1")	1	4
NOTE: A - Includes items 4-6. B - In order to assemble, the non-threaded clamp is above the seat rail or frame and the threaded is below the seat rail or frame.					

# Footrest Support Assembly - TZ33A



## Footrest Support Assembly - TZ33A

Item Number	Note	Part Number	Description	Quantity Per	
				Package	Assembly
1	B	1100846	Footrest Support Assembly, Chrome - Right	1	1
1	B	1100847	Footrest Support Assembly, Chrome - Left	1	1
1	A,B	8881101462	Footrest Support Assembly, Color - Right	1	1
1	A,B	8881101463	Footrest Support Assembly, Color - Left	1	1
2		1100844	Tube, Footrest Support, Chrome - Right	1	1
2		1100845	Tube, Footrest Support, Chrome - Left	1	1
2	A	8881100821	Tube, Footrest Support, Color - Right	1	1
2	A	8881100822	Tube, Footrest Support, Color - Left	1	1
3		1008432	Screw, Socket Button Head (1/4-20 x 1-1/4")	1	2
4		60275X000	Locknut (1/4-20)	1	1
5		1030979	Screw, Phillips Pan Head Tap (#10-32 x 3/4")	1	1
6		1022874	Bumper	1	1
7		1027097	Plug Button, Black (3/4")	1	1
8		47565X057	Bushing (7/32 x 3/8 x 11/32")	1	1
9	D	40163X008	Screw, Phillips Pan Head (#10-32 x 11/16")	1	1
9	C	1025716	Screw, Phillips Pan Head (#10-32 x 11/16")	1	1
10	D	40163X002	Screw, Phillips Round Head (#10-32 x 1/2")	1	1
10	C	1026114	Screw, Phillips Pan Head (#10-32 x 1/2")	1	1
11		1033305	Handle, Release, Chrome - Right	1	1
11		1033306	Handle, Release, Chrome - Left	1	1
11		1031469	Handle, Release, Black - Right	1	1
11		1031470	Handle, Release, Black - Left	1	1
12	D	67005X000	Rivnut (#10-32)	1	1
12	C	1028846	Rivnut (#10-32)	1	1
13	D	1008935	Spring, Release - Right	1	1
13	D	1008936	Spring, Release - Left	1	1
13	C	1028707	Spring, Release - Right	1	1
13	C	1028708	Spring, Release - Left	1	1
14	D	60279X003	Locknut (#10-32)	1	1
14	C	1025735	Locknut (#10-32)	1	1

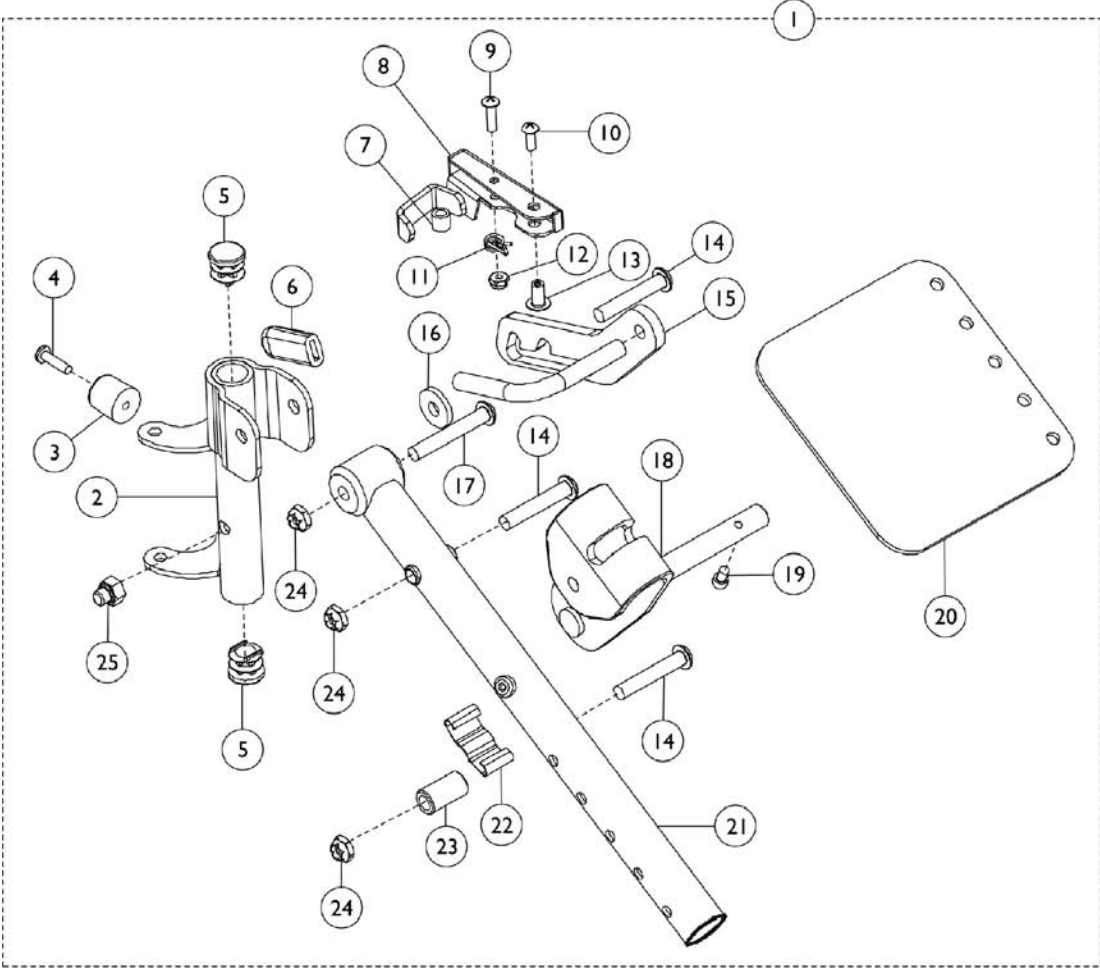
NOTE: A - Specify frame color when ordering. See category titled, "Frame Finishes, Packaging and Upholstery Colors."

B - Includes Items 2-14.

C - Used with Color Frame Finishes.

D - Used with Chrome Frame Finishes.

# Legrest Support Assembly - TZ34A



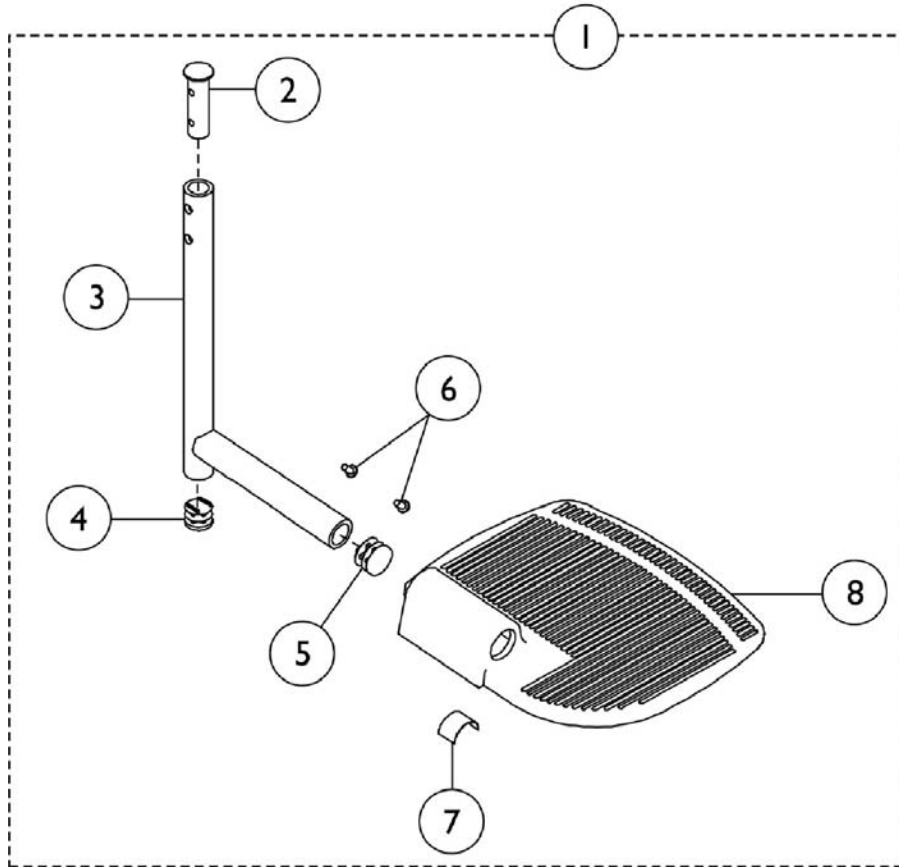


## Legrest Support Assembly - TZ34A

Item Number	Note	Part Number	Description	Quantity Per	
				Package	Assembly
1	B	1102164	Legrest Support Assembly, Chrome - Right	1	1
1	B	1102165	Legrest Support Assembly, Chrome - Left	1	1
2		1100818	Tube, Legrest Support - Right	1	1
2		1100819	Tube, Legrest Support - Left	1	1
3		1022874	Bumper	1	1
4		1030979	Screw, Phillips Pan Head Tap (#10-32 x 3/4")	1	1
5		1027097	Plug Button, Black (3/4")	1	2
6	D	1006490	Tip, Plastic, Black	1	1
7		47565X057	Bushing (7/32 x 3/8 x 11/32")	1	1
8		1101442	Handle, Release, Chrome - Right	1	1
8		1101443	Handle, Release, Chrome - Left	1	1
9		40163X008	Screw, Phillips Pan Head (#10-32 x 11/16")	1	1
10		40163X002	Screw, Phillips Round Head (#10-32 x 1/2")	1	1
11		1008935	Spring, Release - Right	1	1
11		1008936	Spring, Release - Left	1	1
12		60279X003	Locknut (#10-32)	1	1
13		67005X000	Rivnut (#10-32)	1	1
14		1102760	Screw Truss Head (5/16-24 x 1-3/4")	1	3
15		1102761	Lockplate - Right	1	1
15		1102762	Lockplate - Left	1	1
16		1016301	Washer, Nylon (5/16 x 7/8 x 1/8")	1	1
17		1104210	Screw, Slotted Truss Head (5/16-24 x 2")	1	1
18		1102226	Bracket, Calf Pad Mounting, Black	1	1
19		1102759	Screw, Socket Button Head (#10-32 x 3/8")	1	1
20		1100758	Plate, Calf Pad Mounting	1	1
21		1102763	Tube, Elevating Support, Chrome - Right	1	1
21		1102764	Tube, Elevating Support, Chrome - Left	1	1
22		48823X008	Spring, Leaf	1	1
23		1101419	Bushing (5/16-24)	1	1
24		60264X001	Locknut (5/16-24)	1	1
25		1060057	Nut, Cap (5/16-24)	1	1
	A,C	8881091811	Pad, Calf - Right/ Left	1	1
	A,C	1104304	Calf Pad Hardware	1	1

NOTE: A - Not Shown.  
 B - Includes Items 2-25.  
 C - See category titled, "Calf Pads" for drawing illustration.  
 D - Tip must be heat treated in order to install.

# Pivot Slide Tube with Footplate - TZ33A & TZ34A

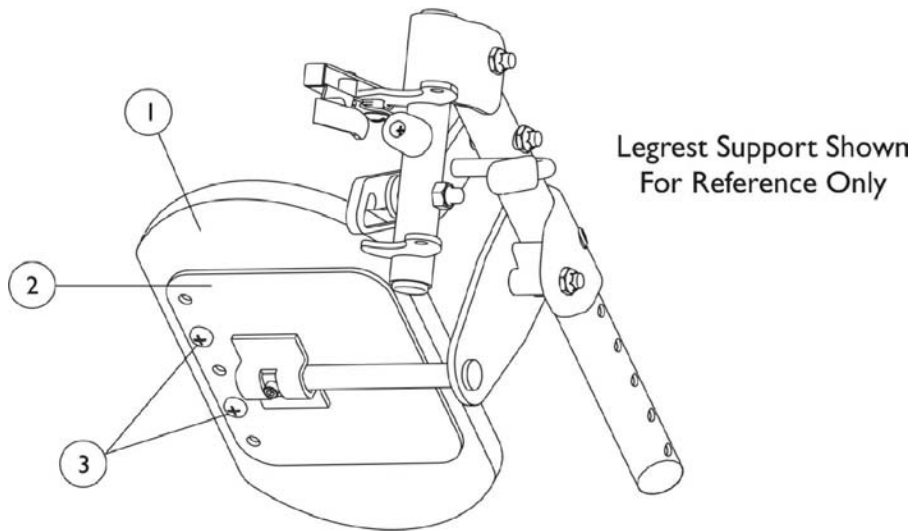


## Pivot Slide Tube with Footplate - TZ33A & TZ34A

Item Number	Note	Part Number	Description	Quantity Per	
				Package	Assembly
1	A	1101440	Pivot/Slide Tube w/ Footplate Assembly, Chrome - Right	1	1
1	A	1101441	Pivot/Slide Tube w/ Footplate Assembly, Chrome - Left	1	1
1	A	8881100824	Pivot/Slide Tube w/ Footplate Assembly, Black - Right	1	1
1	A	8881100825	Pivot/Slide Tube w/ Footplate Assembly, Black - Left	1	1
2		1098801	Insert, Support	1	1
3		1100823	Tube, Pivot/Slide, Black	1	1
3		1101478	Tube, Pivot/ Slide, Chrome	1	1
4		1027097	Plug Button, Black (3/4")	1	1
5		1027095	Plug Button, Black (7/8")	1	1
6		40120X001	Screw, Phillips Pan Head (#8-32 x 3/8")	1	2
7		1036123	Spring, Leaf	1	2
8		1103012	Footplate, Aluminum, Extra Large - Right	1	1
8		1103013	Footplate, Aluminum, Extra Large - Left	1	1

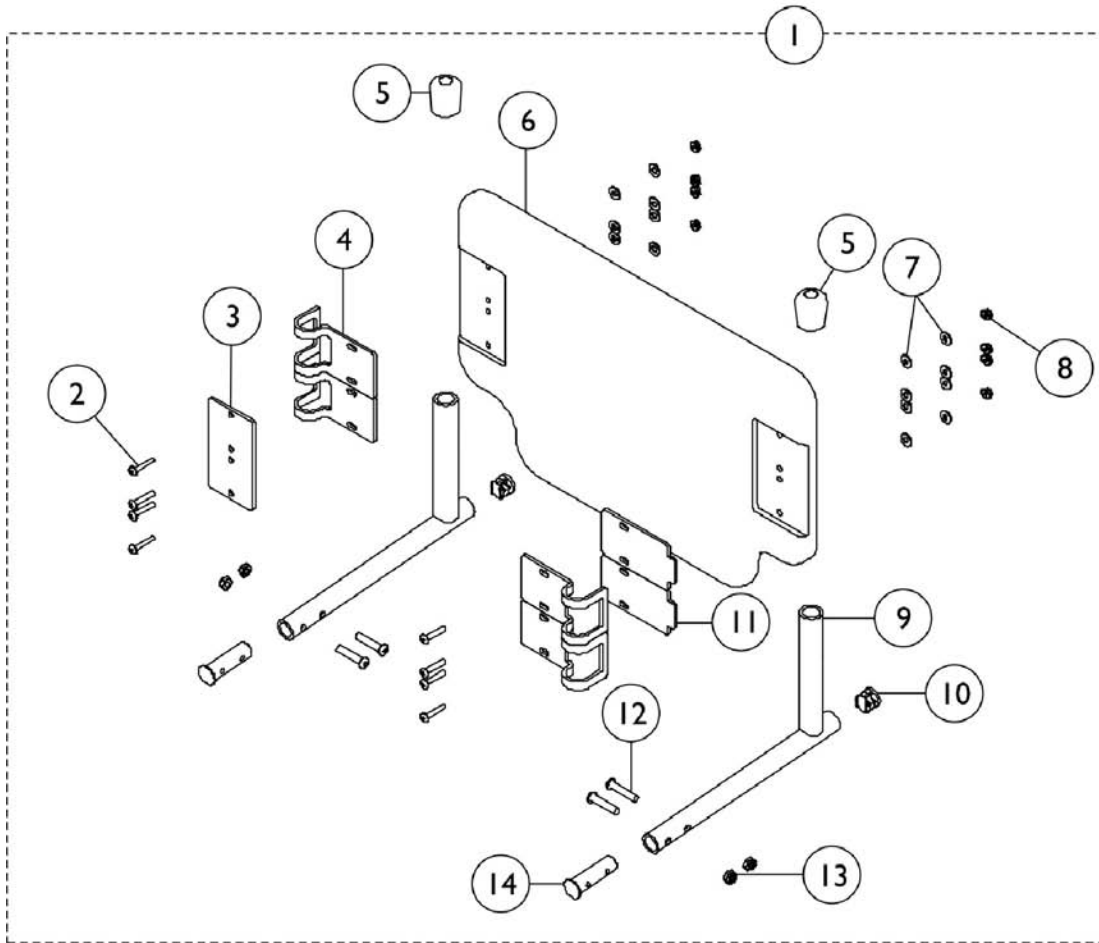
NOTE: A - Includes items 2-8.

# Calf Pads



Item Number	Note	Part Number	Description	Quantity Per	
				Package	Assembly
1		8881091811	Pad, Calf - Right/ Left	1	1
2		1100758	Plate, Calf Pad Mounting	1	1
3		1104304	Calf Pad Hardware	1	1

# One Piece Footboard - T1263



## One Piece Footboard - T1263

Item Number	Note	Part Number	Description	Quantity Per	
				Package	Assembly
1	A	1102205	One Piece Footboard Assembly (20" W)	1	1
1	A	1102206	One Piece Footboard Assembly (22" W)	1	1
1	A	1102207	One Piece Footboard Assembly (24" W)	1	1
1	A	1102208	One Piece Footboard Assembly (26" W)	1	1
1	A	1102209	One Piece Footboard Assembly (28" W)	1	1
1	A	1102210	One Piece Footboard Assembly (30" W)	1	1
2		1005383	Screw, Socket Button Head (#10-32 x 1")	1	8
3		1108599	Plate, Lifter	1	1
4		47352X004	Clamp	1	4
5		1016346	Cap, Tube End (7/8")	1	2
6		1102200	Footboard (20" W)	1	1
6		1102201	Footboard (22" W)	1	1
6		1102202	Footboard (24" W)	1	1
6		1102203	Footboard (26" W)	1	1
6		1102204	Footboard (28" W)	1	1
6		1102138	Footboard (30" W)	1	1
7		1013218	Washer (#10 Flat)	1	16
8		60279X003	Locknut (#10-32)	1	8
9		1101478	Tube, Pivot/ Slide, Chrome	1	2
10		1027097	Plug Button, Black (3/4")	1	2
11		47352X003	Lock, Pad Plate, Legrest	1	2
12		1008432	Screw, Socket Button Head (1/4-20 x 1-1/4")	1	4
13		60275X000	Locknut (1/4-20)	1	4
14		1098801	Insert, Support	1	2
	B	1104905	Instruction Sheet, 1-Piece Footboard	1	1

NOTE: A - Includes Items 2-14, Instruction Sheet and Cartons.  
 B - Not Shown.

# Miscellaneous Accessories

## Crutch & Cane Carrier, Wheel Lock Extension

Part Number	Description	Package Quantity
1034204	1035L - Crutch & Cane Carrier	1
1058899	Wheel Lock Extensions 6"	1
1148705	Non-Folding Device Assembly, 20-30" Wide	1

## T1358 - Rear Anti-Tippers

Part Number	Description	Package Quantity
1104957	Anti-Tippers, (15-1/2" - 17-1/2")	2
1104958	Anti-Tippers, (19-1/2")	2

# Miscellaneous Accessories

## T1515 - Seat Positioning Straps

Part Number	Description	Package Quantity
1104959 See Note(s) A	20" W Auto Position Strap	1
1104960 See Note(s) A	22" W Auto Position Strap	1
1104961 See Note(s) A	24" W Auto Position Strap	1
1104962 See Note(s) A	26" W Auto Position Strap	1
1104963 See Note(s) A	28" W Auto Position Strap	1
1104964 See Note(s) A	30" W Auto Position Strap	1

NOTE: A - Includes an instruction sheet.

## 1337 - Calf Strap

Part Number	Description	Package Quantity
1102745	20" W Calf Strap	1
1102746	22" W Calf Strap	1
1102747	24" W Calf Strap	1
1102748	26" W Calf Strap	1
1102749	28" W Calf Strap	1
1102750	30" W Calf Strap	1



# Miscellaneous Accessories

## 1346 - Heel Loops

Part Number	Description	Package Quantity
1035917	Heel Loop w/o Hardware - Medium (Pair)	2
1035926	Hardware, Heel Loops (Pair)	2

## T1337 - Heel Strap

(For One Piece Footboard)

Part Number	Description	Package Quantity
1102745	20" W Calf Strap	1
1102746	22" W Calf Strap	1
1102747	24" W Calf Strap	1
1102748	26" W Calf Strap	1
1102749	28" W Calf Strap	1
1102750	30" W Calf Strap	1

# Miscellaneous Accessories

## Solid Seat Inserts T9120

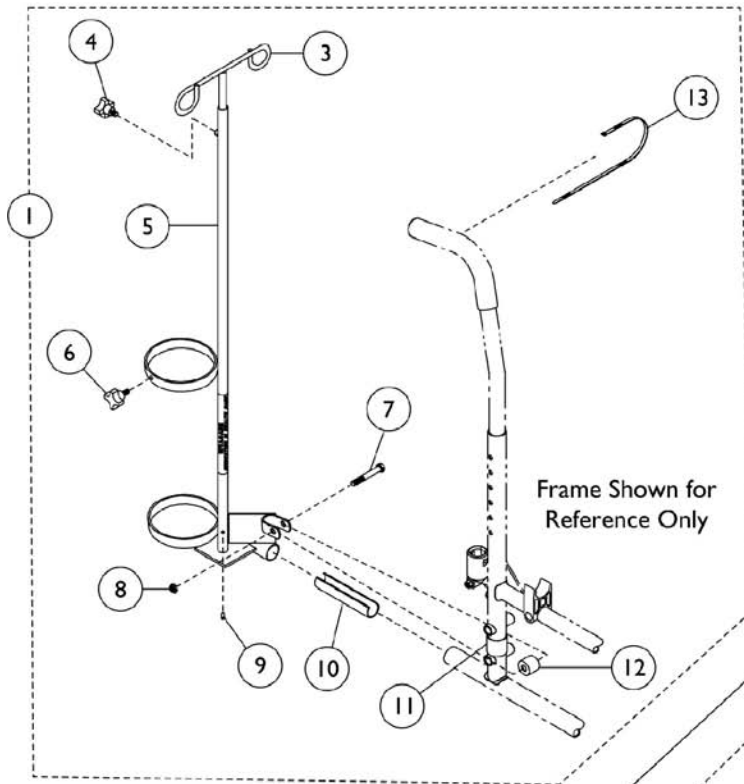
Chair Width x Depth	Upholstery - Black U67 Vinyl Only
20 x 18"	8881102882
22 x 18"	8881102883
24 x 18"	8881102168
26 x 18"	8881102169
28 x 18"	8881102170
30 x 18"	8881102171
20 x 20"	8881102172
22 x 20"	8881102173
24 x 20"	8881102174
26 x 20"	8881102175
28 x 20"	8881102176
30 x 20"	8881102177

## Solid Back Inserts T9130

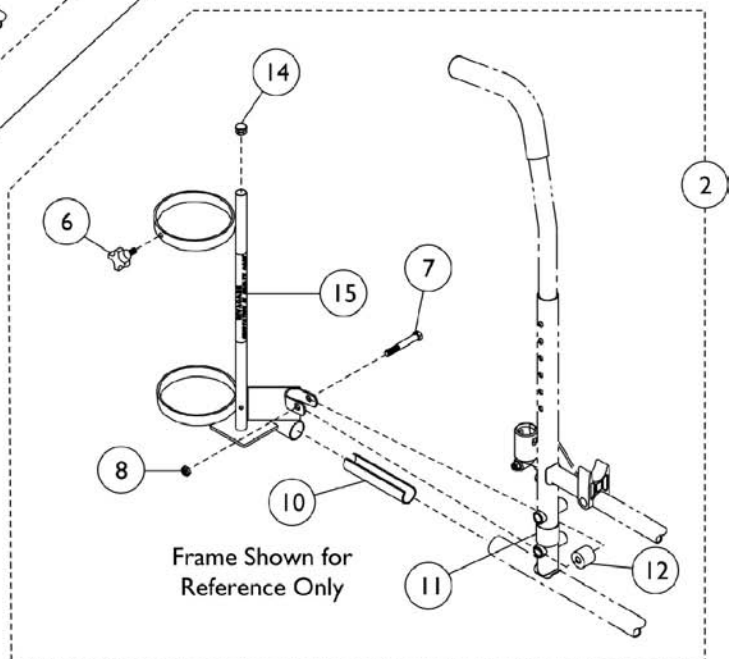
Chair Width	Upholstery - Black U67 Vinyl Only
20" Wide	8881102178
22" Wide	8881102179
24" Wide	8881102180
26" Wide	8881102181
28" Wide	8881102182
30" Wide	8881102183

# I.V. Oxygen Holder - T1496, Oxygen Holder -T1497

## Model T1496



## Model T1497



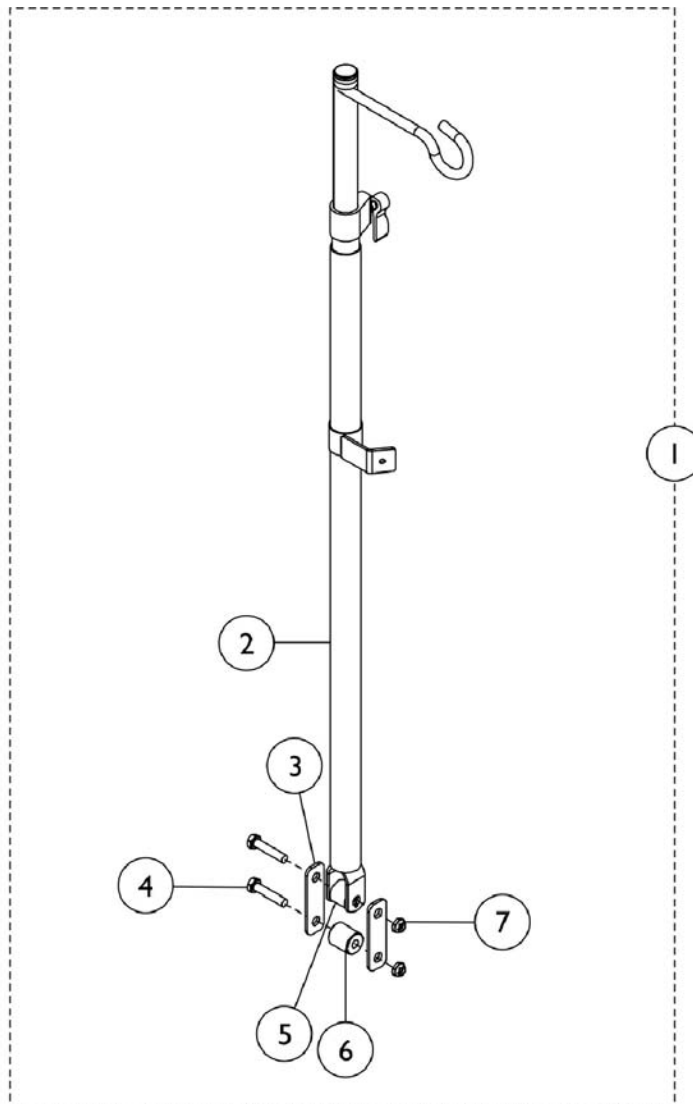
## I.V. Oxygen Holder - T1496, Oxygen Holder -T1497

Item Number	Note	Part Number	Description	Quantity Per	
				Package	Assembly
1	B	1098827	Holder, I.V. Oxygen, T1496	1	1
2	C	1098829	Holder, Oxygen, T1497	1	1
3		1027468	Rod, I.V.	1	1
4		1027683	Knob, Adjustment	1	1
5		1070898	Base, I.V./ Oxygen	1	1
6		1027684	Knob, Clamping, Black	1	1
7		11239X000	Screw, Hex Head (5/16-24 x 1-3/4")	1	1
8		60264X001	Locknut (5/16-24)	1	1
9		1027789	Pin, Roll	1	1
10		1023560	Tube, Insert Guide (3-3/4")	1	1
11		1023618	Tube, Guide	1	1
12		1102577	Spacer, Black (5/16 x 11/16 x 15/16")	1	1
12		1017843	Spacer, Chrome (5/16 x 11/16 x 15/16")	1	1
13		98007X005	Cable Tie (11-1/2" L)	1	1
14		1017672	Plug Button, Grey (1/2")	1	1
15		1070900-NLA	Base, Oxygen Holder	1	1
	A,D	1027931	Instruction Sheet, I.V./Oxygen Holder	1	1
	A,E	1027930	Instruction Sheet, Oxygen Holder	1	1
	A	1095497	Decal, Invacare Logo	1	1

NOTE: A - Not Shown.  
B - Includes Items 1 and 3-12.  
C - Includes Items 4, 6-8, 10-12 and 14-15.  
D - Used with Model T1496.  
E - Used with Model T1497.

# I.V. Rod - Telescoping - T1322

Not for use on Super Hemi Chairs



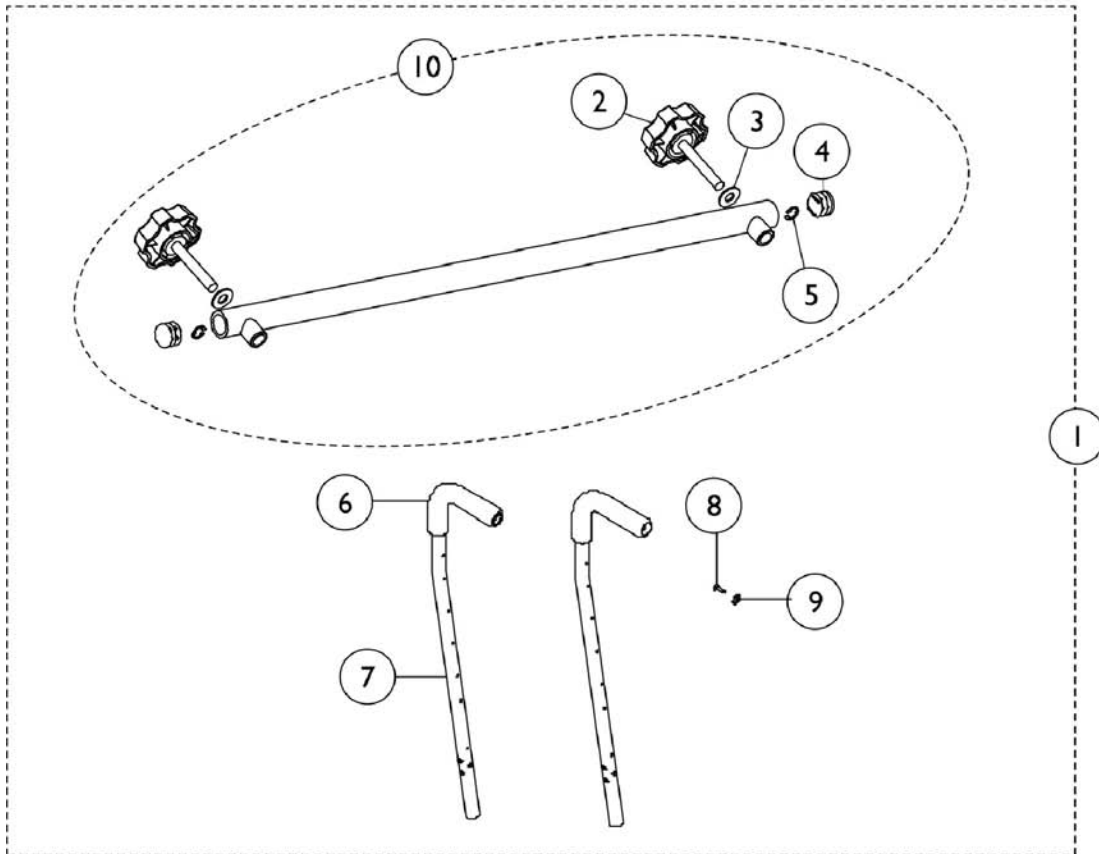
## I.V. Rod - Telescoping - T1322

Not for use on Super Hemi Chairs

Item Number	Note	Part Number	Description	Quantity Per	
				Package	Assembly
1	B	1102945	Rod, I.V. Telescoping	1	1
2		1042127	I.V. Rod and Bracket Assembly	1	1
3		1102765	Plate, Adapter	1	2
4		11239X000	Screw, Hex Head (5/16-24 x 1-3/4")	1	2
5		47324X011	Bushing, Pivot (5/16 x 7/8 x 3/4")	1	1
6		1102931	Spacer Bracket	1	1
7		60264X001	Locknut (5/16-24)	1	1
	A	1104899	Instruction Sheet, I.V. Rod	1	1

NOTE: A - Not Shown.  
B - Includes Items 2-7.

# Push Bar - T1483



## Push Bar - T1483

Item Number	Note	Part Number	Description	Quantity Per	
				Package	Assembly
1	A	1104118	Bar, Push with Back Canes (20" W)	1	1
1	A	1104119	Bar, Push with Back Canes (22" W)	1	1
1	A	1104120	Bar, Push with Back Canes (24" W)	1	1
1	A	1104121	Bar, Push with Back Canes (26" W)	1	1
1	A	1104122	Bar, Push with Back Canes (28" W)	1	1
1	A	1104123	Bar, Push with Back Canes (30" W)	1	1
2		1102297	Knob, Plastic with Stud, Black	1	2
3		1012371	Washer, Nylon (3/8 x 7/8 x 1/16")	1	2
4		1027095	Plug Button, Black (7/8")	1	2
5		1086930	Ring, Retaining (3/8")	1	2
6		1032245	Grip, Foam Hand (6-7/8" L)	1	2
7		1102224	Cane with Insert, Black	1	2
8		1054687	Screw, Sheet Metal (#12 x 7/8")	1	25
9		1025707	Washer (1/4 x 3/4 x 3/32")	1	1
10	B	1102217	Bar, Push with Hardware (20" W)	1	1
10	B	1102218	Bar, Push with Back Canes (22" W)	1	1
10	B	1102219	Bar, Push with Back Canes (24" W)	1	1
10	B	1102220	Bar, Push with Back Canes (26" W)	1	1
10	B	1102221	Bar, Push with Back Canes (28" W)	1	1
10	B	1102222	Bar, Push with Back Canes (30" W)	1	1
	C	1100904	Instruction Sheet	1	1

NOTE: A - This kit is for use on chairs without an existing push bar. The kit includes Items 2-10 and an instruction sheet.  
 B - Includes Items 2-5.  
 C - Not shown.



Invacare Corporation

[www.invacare.com](http://www.invacare.com)



Yes, you can.™

One Invacare Way  
Elyria, Oh USA  
44036-2125  
800-333-6900

Technical Support  
800-832-4707  
Florida Technical Support  
407-321-5630

Customer Service  
800-333-6900

©2008 Invacare Corporation, Elyria, Ohio.  
Invacare, the Medallion Design, and Yes,  
you can. are registered trademarks; Topaz is  
a registered trademark of Invacare  
Corporation. Revised 02/01/07.

Form No. 00-103