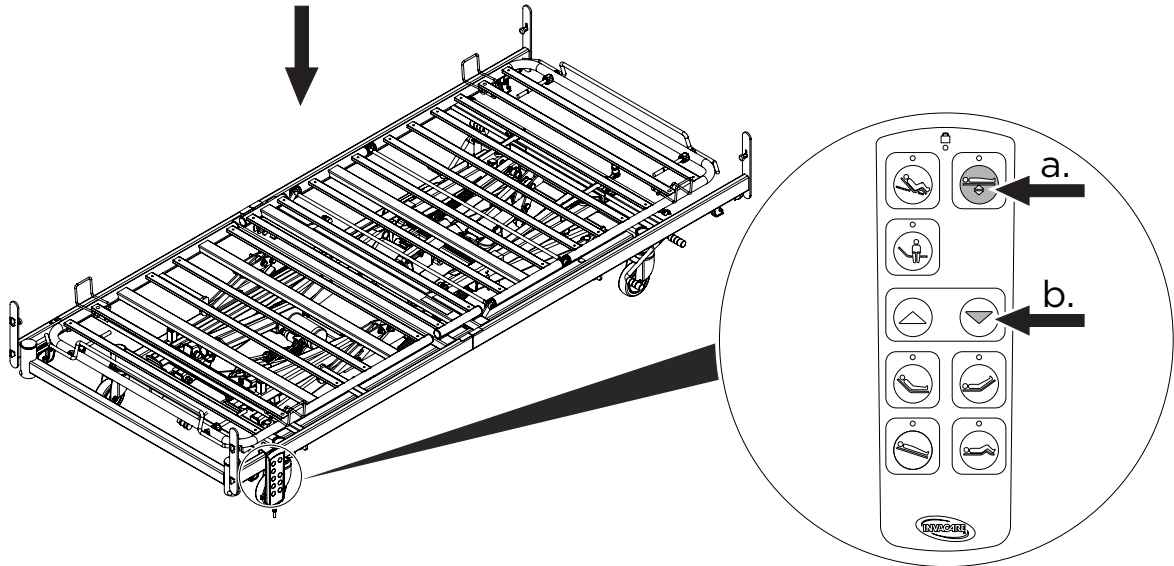
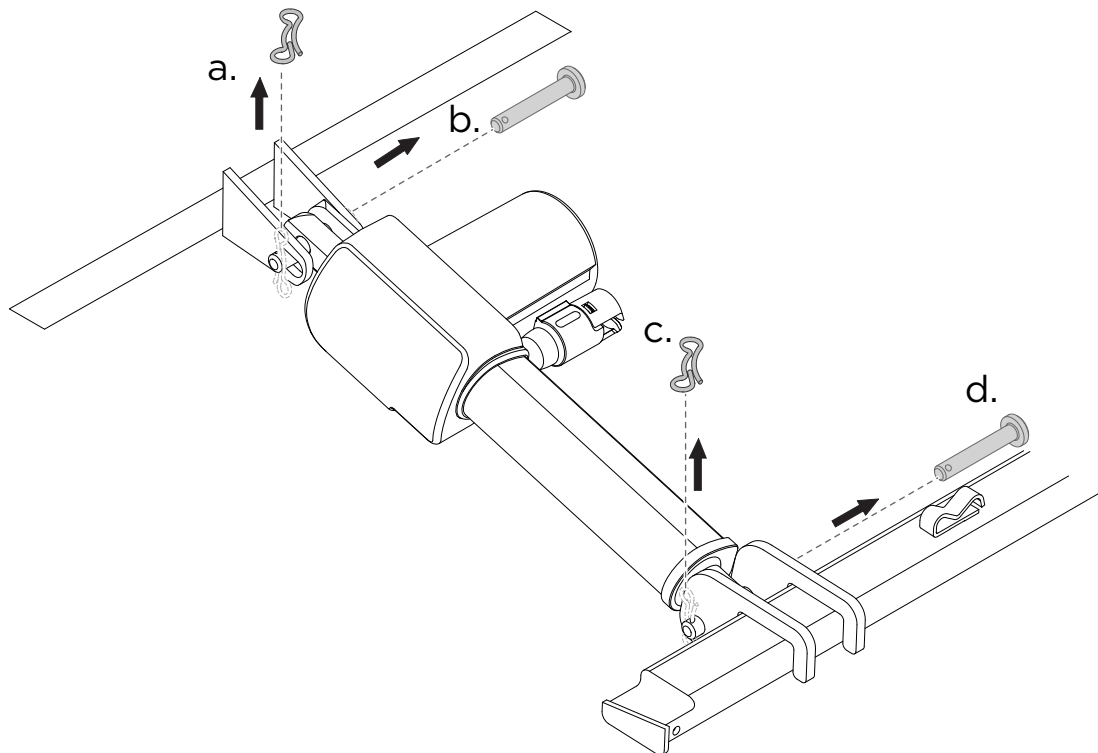


Mounting Instruction  
**Hi-Lo Actuators**  
**Pin replacement kit** for  
Invacare® Nordbed™ Optimo 90/105  
Invacare® Nordbed™ Ultra

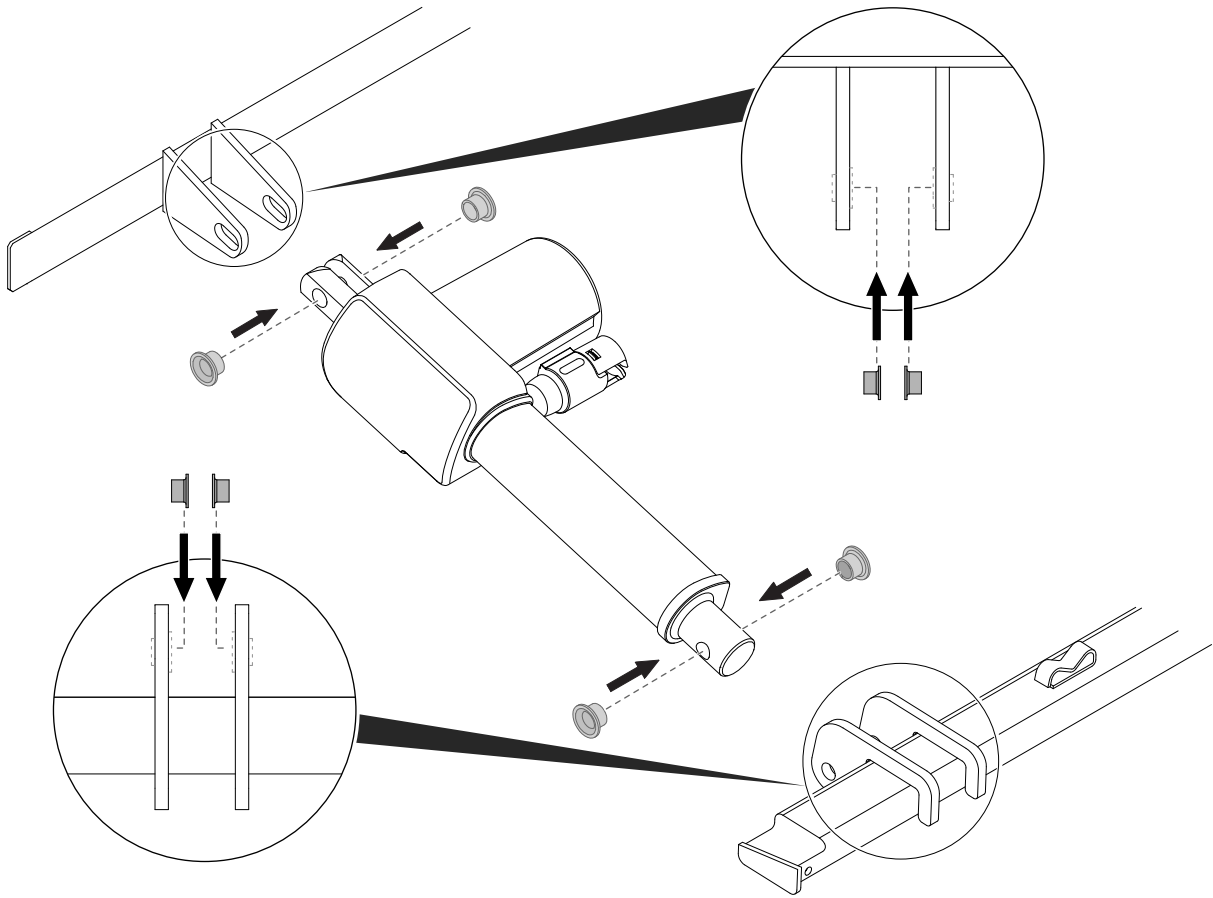
1.



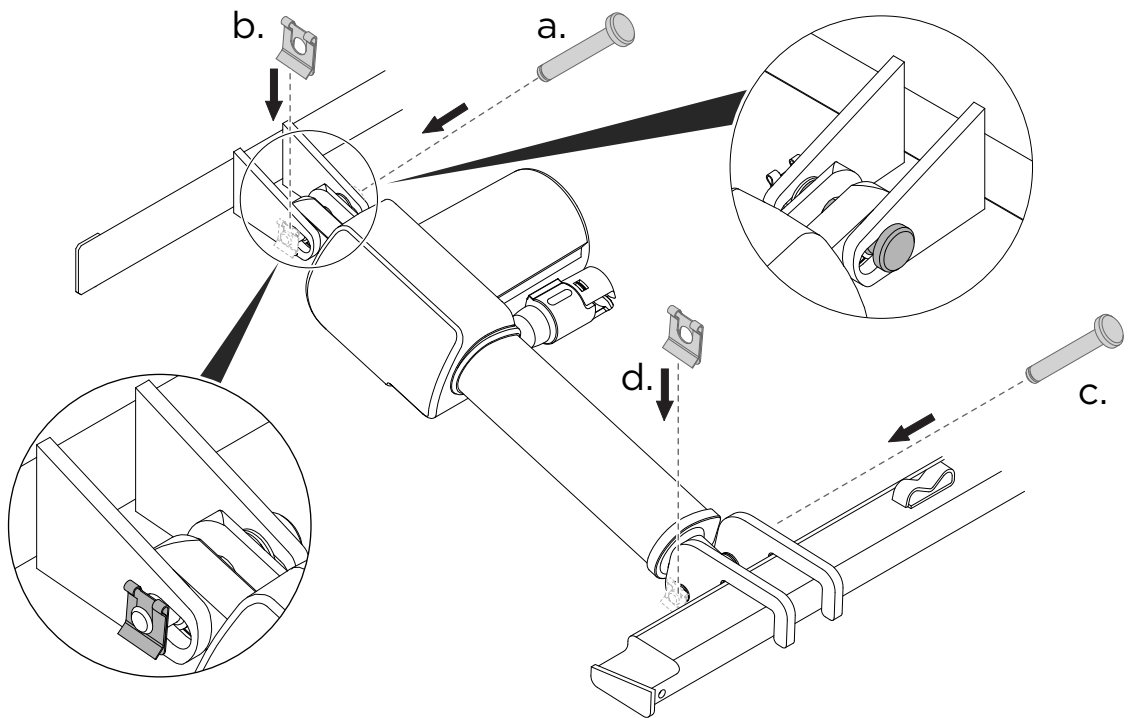
2.



3.



4.



Invacare Rea AB  
Växjövägen 303  
SE-343 71 Diö  
Sweden

