

alber®

Simply mobile.

**quix**®

Power add-on drive  
with tiller control



**Driving the wheelchair  
the easy way.**



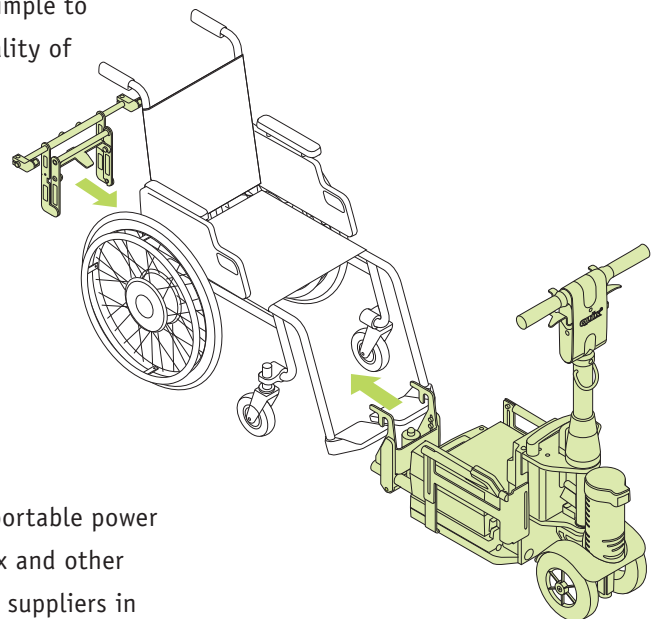
## Driving the wheelchair the easy way.

► Quix, the power add-on drive for your wheelchair, wins over because operating it is exceptionally easy and intuitive to learn. The Quix handlebar steering works so simply it's as easy as riding a bike. At home, Quix will impress you with its manoeuvrability. For use on surfaced paths outside, Quix is the reliable travelling companion for greater mobility.

Quix fits most manual wheelchairs, so you can continue to use the wheelchair you trust. Thanks to the innovative attachment mechanism, Quix is very simple to attach to the wheelchair in no time at all. Discover the additional quality of life made possible by a power add-on drive!

## Quality out of experience

As a specialist in and quality supplier of especially user-friendly and portable power add-on drives, we look back on more than 20 years of experience. Quix and other power add-on drives from Alber are available exclusively from medical suppliers in your vicinity.



Quix attaches simply and quickly underneath the wheelchair.



## Easy to operate because it's simply well designed.

► Controlling your wheelchair with Quix is child's play, because Quix is as easy to steer as a bike. That means you can learn to handle it in a very short time with very little practice. The handlebar adjusts to any angle you want so you can operate it from a comfortable position.

The tiller control and non-slip grips enable fatigue-free operation even on longer journeys. A particular advantage is one-hand operation: using thumb and forefinger of the left or right hand, Quix comfortably and effortlessly drives forwards or backwards. Quix is the right choice even for users with minor motor limitations.



Ergonomic and practical at the same time: the adjustable-angle handlebar.



Tiller control: suitable for left and right-handed people as well as one-hand operation.



Compact: Quix makes your wheelchair no wider.



## Compact and swift

- Take your seat! To allow you to get into your wheelchair and out again easily, the particularly light handlebar detaches and can be put to one side in a single movement.

Quix makes your usual wheelchair extraordinarily manoeuvrable. So manoeuvrable that you can turn on the spot with no effort and move around precisely in confined spaces such as the kitchen or bathroom. You'll therefore find it easier to arrange your day more independently.



Easy to get in and out: the handlebar is simple to remove with a quick-release fastener.



Quix gets round corners effortlessly even in tight spaces and quite simply turns on the spot.



## Safely to your destination

► With Quix, you can also travel on pavements and surfaced paths. You can climb gentler inclines without effort and therefore extend your range of activity. If needed, the integrated driving light illuminates the way for you.

Furthermore, Quix is equipped with intelligent safety functions: when travelling a tight curve, the speed is automatically reduced so you travel through tight spaces more safely. An immobiliser also prevents unwanted use by other people.

Quix is so compact and modern in design that you're certain to be happy seen with it!



The battery indicator: so you always know how far you can go.



Bright and electricity-saving: the integrated LED driving light.



## Handy, versatile and always there when you need it

► Mobility should go without saying these days. Do you want to do something with your family, get to a doctor's appointment or simply meet up with some acquaintances? Quix stands out through its extraordinarily good transportability.

For transporting by car, Quix fits thanks to its compact design in any luggage compartment. All you have to do is simply and quickly undo the quick-release fasteners and remove and stow the individual components with no effort.

When you get to your destination, the components fit together in seconds so you're ready to set off again in no time at all.



Practical carry handle for lifting and loading.



Small and handy: in seconds, Quix breaks down into individual components for transporting.



## Two wheelchairs in one

► With Quix you have two means of locomotion in one: electrical or manual-both are possible. Simply switch Quix off and the drive wheels are raised with the help of a small electric motor. You can then push the wheelchair by hand for shorter distances in the normal way.

Attaching and detaching from the wheelchair is done at the press of a button: the clever mechanism automatically disconnects Quix from your wheelchair. Now you can use the wheelchair without Quix if you wish.



Two wheelchairs in one:  
the drive wheels are raised electrically.

## Test Quix free of charge

Test Quix free of charge and with no obligation at home. Simply complete the demonstration voucher on the back of this brochure and send it to us.



Everything under control:  
speed adjustment, light switch and horn.

# Your questions— our answers:

## ► Will Quix fit my wheelchair, too?

Quix fits most of the popular wheelchair models. A bracket for fixing the Quix is fitted to the frame of your wheelchair.

## ► Is it possible to take Quix with you in the car?

Of course—and that very easily! All components of Quix can be removed from the wheelchair simply and without tools and are of space-saving design for stowing in any car luggage compartment. Your wheelchair remains foldable as usual.

## ► How much do the individual components of Quix weigh?

Battery pack: 9.2 kg/20.26 lbs  
Handlebar: 1.5 kg/3.30 lbs  
Drive module: 17.6 kg/38.6 lbs  
Attachment mechanism: 1.7 kg/3.75 lbs  
Total weight of all Quix components: 30.0 kg/66.0 lbs

## ► How fast can you go with Quix?

You can adjust the speed continuously between 0.5 and 6 km/h (3.7 mph) – so you will certainly be able to set a driving speed you are happy with. In bends, Quix automatically reduces the speed.

## ► How steep a ramp or incline is Quix able to climb?

With Quix, you can travel on upward or downward slopes of up to 10 % gradient—depending on wheelchair settings, the weight of the wheelchair user and the surface. However, it is essential to observe the limits specified by the wheelchair manufacturer.

## ► How far can I travel with one battery charge?

Depending on your personal weight, nature of the terrain, temperature, wheelchair settings and surface, one battery charge is sufficient for up to 15 km/h (9.3 mph). A spare battery is optionally available for ordering as an accessory.



Our quality claim: your safety!  
Certified to the latest standards: ISO 9001:2000  
and ISO 13485:2003 for medical products.

## Weight information Q10

|   |        |
|---|--------|
| max. occupant's weight:                       | 130 kg |
| max. overall weight:                          | 180 kg |
| (incl. Quix, wheelchair, wheelchair occupant) |        |



### Ulrich Alber GmbH

Vor dem Weißen Stein 21  
72461 Albstadt  
Phone +49 (0)7432 2006-0  
Fax +49 (0)7432 2006-298  
info@alber.de  
www.alber.de