

Invacare® | **Matrix® Seating Series**



matrix
SEATING SERIES

Trusted Solutions, Passionate People

INVACARE
Yes, you can.®



Invacare® Matrix® Seating Series - Yes, you can... and it's never been easier!

With the number of new seating and positioning products available today, it is only natural to choose the products that you know best. The *Invacare Matrix Seating Series* combined with Invacare's wide range of seat cushions provides you with a solution which is highly effective in meeting the widest range of user needs.

Invacare is committed to providing you with products that exceed your expectations. As the landscape of seating changes, Invacare's dedication to innovation, quality and, most of all, your comfort will stay the same.

Invacare® | **Matrix® Seating Series**

<i>Invacare</i> Matrix MX1 Back	4-5
<i>Invacare</i> Matrix Elite Back	6
<i>Invacare</i> Matrix Elite Deep Back	7
<i>Invacare</i> Matrix PB Back	8
<i>Invacare</i> Matrix PB Deep Back	9
<i>Invacare</i> Matrix Hardware	10
<i>Invacare</i> Matrix Easy Set Hardware Adjustments/Other Mounting Hardware Options	11
<i>Invacare</i> Matrix Back Lateral / Headrest Options	12
<i>Invacare</i> Matrix Back Accessories	12
<i>Invacare</i> Matrix Flo-tech Lite	13
<i>Invacare</i> Matrix Flo-tech Contour	14
<i>Invacare</i> Matrix Flo-tech Contour Lo-Back	15
<i>Invacare</i> Matrix Flo-tech Lite Visco	16
<i>Invacare</i> Matrix Flo-tech Contour Visco	17
<i>Invacare</i> Matrix Flo-tech Plus	18
<i>Invacare</i> Matrix Flo-tech Image	19
<i>Invacare</i> Matrix Flo-tech Solution	20
<i>Invacare</i> Matrix Flo-tech Solution Xtra	21-22
<i>Invacare</i> Matrix Flo-tech Back Support	23
<i>Invacare</i> Matrix Back Specifications	24 - 25
Technical data	26
Cover Options	27

All information quoted is believed to be correct at time of print.
Invacare reserves the right to alter product specifications without prior consultation.

***"Less back and more support.
I can sit longer and play harder.
I love it!"***

.....
Allen McKinley





Sacral/lumbar support

8 cm Contour Depth



Invacare *Matrx MX1 Back*

The *Invacare Matrx MX1 Back* is designed for active individuals who demand peak performance and great looks. The latest in back support technology combines aesthetic appeal with superior positioning and function. The full range of patent-pending hardware options ensure optimal adjustment, while the lightweight carbon fibre shell provides exceptional support and durability.

Key Features and Functional Benefits

Outer cover:

- Breathable, attractive spacer mesh fabric.
- Cover and foam overlap the shell edge to protect the user
- Optional privacy flap available

Hardware (ordered separately):

- Hardware installed and adjusted in minutes - adjustments can be made while user is seated in the wheelchair

Back shell:

- Durable solid carbon fibre shell provides controlled flex to reduce vibration.
- Contoured to provide hip/trunk stability and enhance upper extremity mobility and function.
- Very light weight and aesthetically appealing

Sacral/lumbar support:

- Includes removable positioning pad



Height



Width



Depth Adjustment



Angle Adjustment
30° range ¹
+/- 15°



Product Weight w/o Hardware



Weight Capacity
115 kg



Limited Warranty
2 Years

IMX1 23 cm, 31 cm, 41 cm

36 cm, 38 cm, 41 cm, 43 cm, 46 cm

5 cm ¹(Dual Mount Hardware Only)

¹/ Limitation of depth/angle adjustment if used on chairs narrower than model width

Mounting Hardware & Options



Mono Mount (Patent Pending)
Attaches to wheelchair rigidiser bar providing complete clearance from back canes Fully angle and height adjustable. Band clamps available to fit rigidiser bars 1.9 cm, 2.2 cm or 2.5 cm.



Dual Mount (Patent Pending)
Attaches to wheelchair back canes (requires tools for removal). Fits back canes 1.9 cm, 2.2 cm or 2.5 cm in diameter. Attractive, low profile hardware with no sharp edges.



Quick release Dual Mount (Patent Pending)
Back cane mount hardware with quick release tabs for easy removal from wheelchair. Band clamps available to fit 1.9 cm, 2.2 cm or 2.5 cm diameter back canes.



Privacy Flap
A discrete flap which covers the opening between the seat and back.

Invacare **Matrx Elite Back**

The *Invacare Matrx Elite Back* is designed to provide precise orientation within the wheelchair for optimal postural support. The attractive, lightweight design appeals to individuals with active lifestyles.

Key Features and Functional Benefits

Outer cover:

- Oversized cover/foam for extra comfort and skin protection
- Moisture resistant and breathable
- Includes loop fastener strip for attachment of optional privacy flap

Hardware (ordered separately):

- Easy Set, Split or Fixed, Heavy Duty & ETAC mounting hardware available
- Hardware installed and adjusted in minutes - adjustments can be made while user is seated in the wheelchair

Back shell:

- Stylish and breathable and lightweight
- Slotted for attachment of lateral supports
- Designed with scapular cutout to facilitate upper extremity mobility
- Optional Full Back style available

Sacral/lumbar support:

- Includes removable positioning pad easily adjusted for individual needs



Sacral/lumbar support

8 cm Contour Depth



Height



Width



Depth Adjustment



Angle Adjustment
40° range³
+/- 20°



Product Weight
w/o Hardware
.8 kg and up



Weight Capacity
136 kg



Limited Warranty
2 Years

PBE 26 cm, 31 cm, 36 cm¹, 41 cm, 46 cm, 51 cm²

31 cm, 36 cm, 41 cm, 43 cm, 46 cm, 51 cm

10 cm³
(5 cm in front or behind back canes)

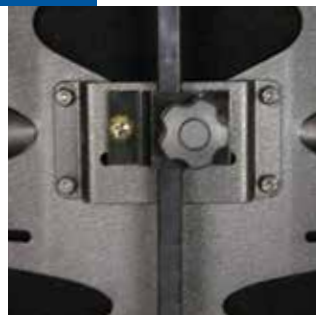
^{1/} 36 cm height only available in 31 cm, 33 cm and 36 cm widths
^{2/} Optional Full Back Style (No scapular cutout) available in 51 cm heights in widths 41 cm - 51cm
^{3/} Limitation of depth/angle adjustment if used on chairs narrower than model width

Mounting Hardware & Options



Mounting Hardware Options

Easy Set Hardware
Split or Fixed, Heavy Duty & ETAC mounting hardware



Headrest Adapter

Allows the headrest to be mounted directly onto *Invacare Matrx Elite backs*.



Soft Pad Headrest Kit - PHRK



Lateral Options

Fixed, Offset Fixed, Swing-Away, Offset Swing-Away & Lateral Pads

Invacare **Matrx Elite Deep Back**

The *Invacare Matrx Elite Deep Back* is designed with lateral supports to provide optimal trunk support while allowing clearance for the shoulders and hips. The attractive, lightweight design appeals to individuals with active lifestyles.

Key Features and Functional Benefits

Outer cover:

- Oversized cover/foam for extra comfort and protection
- Moisture resistant and breathable
- Includes removable lumbar positioning pad

Hardware (ordered separately):

- Easy Set, Split or Fixed, Heavy Duty & ETAC mounting hardware available
- Hardware installed and adjusted in minutes - adjustments can be made while user is seated in the wheelchair

Back shell:

- Stylish, breathable and lightweight contoured back shell provides exceptional built-in lateral trunk support
- Lightweight - most models under 1.8 kg

Sacral/lumbar support:

- Includes removable positioning pad



Sacral/lumbar support



Height

EDB 31 cm, 41 cm, 46 cm, 51 cm



Width

36 cm, 41 cm, 43 cm, 46 cm, 51 cm



Depth Adjustment

10 cm¹
(5 cm in front or behind back canes)



Angle Adjustment

40° range¹
+/- 20°



Product Weight

w/o Hardware
1.4 kg and up



Weight Capacity

136 kg



Limited Warranty

2 Years

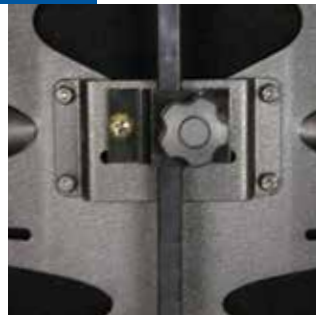
¹/ Limitation of depth/angle adjustment if used on chairs narrower than model width

Mounting Hardware & Options



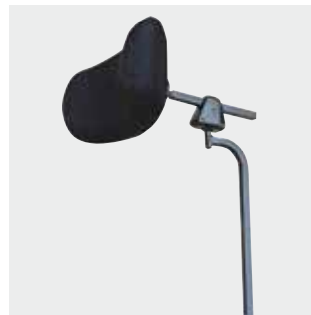
Mounting Hardware Options

Easy Set Hardware
Split or Fixed, Heavy Duty & ETAC mounting hardware



Headrest Adapter

Allows the headrest to be mounted directly onto *Invacare Matrx Elite backs*.



Soft Pad Headrest Kit - PHRK



Privacy Flap

A discrete flap which covers the opening between the seat and back.



Sacral/lumbar support



13 cm Contour Depth-standard

Invacare **Matrx PB Back**

The *Invacare Matrx PB Back* is contoured to provide midline support and ositioning. The extensive range of sizes provides exceptional support and comfort for a variety of individuals.

Key Features and Functional Benefits

Outer cover:

- Moisture resistant and breathable
- Includes loop fasteners for attachment of privacy flap

Foam:

- Molded foam wraps around shell for maximum comfort and protection.
- Foam attaches to back shell via hook and loop strips for easy replacement

Hardware (ordered separately):

- Easy Set, Split or Fixed, Heavy Duty & ETAC mounting hardware available

Back shell:

- Contoured shell provides exceptional midline support and positioning
- Durable, lightweight ABS back shell includes built-in plate for headrest attachment

Sacral/lumbar support:

- Includes removable positioning pad easily adjusted for individual needs



Height



Width



Depth Adjustment



Angle Adjustment



Product Weight w/o Hardware



Weight Capacity



Limited Warranty

MPB (Standard)	31 cm, 41 cm, 51 cm	36 cm, 41cm, 43 cm, 46 cm, 51 cm	10 cm ² (5 cm in front or behind back canes)	40° range ²	1.3 kg and up	136 kg	2 Years
HDB (Heavy-Duty)	41 cm, 51 cm	51 cm, 56 cm, 61 cm	10 cm ² (5 cm in front or behind back canes)	40° range ²	2.7 kg and up	227 kg	2 Years
HDBxW41 / HDBxW51 (Extra Wide)	41 cm, 51 cm	61 - 76 cm	10 cm ² (5 cm in front or behind back canes)	40° range ²	2.7 kg and up	227 kg	2 Years

1/ The optional high stretch cover is recommended when using Foam in Place kit
 2/ Limitation of depth/angle adjustment if used on chairs narrower than model width

Mounting Hardware & Options



Mounting Hardware Options

Easy Set Hardware
 Split or Fixed, Heavy Duty & ETAC mounting hardware



Headrest Adapter

Allows the headrest to be mounted directly onto *Invacare Matrx PB backs*.



Soft Pad Headrest Kit - PHRK



Privacy Flap

A discrete flap which covers the opening between the seat and back.



Sacral/lumbar support

18 cm Contour Depth-deep



Invacare *Matrx PB Deep Back*

The *Invacare Matrx PB Deep Back* is contoured to provide increased midline support and positioning. The extensive range of sizes provides exceptional comfort and support for a wide range of individuals with moderate to high lateral trunk positioning needs.

Key Features and Functional Benefits

Outer cover:

- Moisture resistant and breathable
- Includes loop fasteners for attachment of privacy flap

Foam:

- Molded foam wraps around shell for maximum comfort and protection.
- Foam attaches to back shell via hook and loop strips for easy replacement

Hardware (ordered separately):

- Easy Set, Split or Fixed, Heavy Duty & ETAC mounting hardware available

Back shell:

- Contoured shell provides exceptional midline support and positioning
- Durable, lightweight ABS back shell includes built-in plate for headrest attachment

Sacral/lumbar support:

- Includes removable positioning pad easily adjusted for individual needs



Height



Width



Depth Adjustment



Angle Adjustment



Product Weight w/o Hardware



Weight Capacity



Limited Warranty

PBD (Deep)	31 cm, 41 cm, 51 cm	36 cm, 41 cm, 43 cm, 46 cm, 51 cm	10 cm (5 cm in front or behind back canes)	40° range	1.3 kg and up	136 kg	2 Years
DHD (Heavy-Duty, Deep)	41 cm, 51 cm	51 cm, 56 cm, 61 cm	10 cm (5 cm in front or behind back canes)	40° range	3.2 kg and up	227 kg	2 Years
DHDxW41 / DHDxW51 (Extra Wide)	41 cm, 51 cm	61 - 76 cm	10 cm (5 cm in front or behind back canes)	40° range	3.2 kg and up	227 kg	2 Years

1/ Limitation of depth/angle adjustment if used on chairs narrower than model width

Mounting Hardware & Options



Mounting Hardware Options

Easy Set Hardware
Split or Fixed, Heavy Duty & ETAC mounting hardware



Headrest Adapter

Allows the headrest to be mounted directly onto *Invacare Matrx PB backs*.



Soft Pad Headrest Kit - PHRK



Privacy Flap

A discrete flap which covers the opening between the seat and back.



Invacare *Matrx* Hardware

The *Invacare **Matrx Easy Set*** hardware is simple and easy to install, and all adjustments can be made with the individual seated in the wheelchair.

Key Features and Functional Benefits

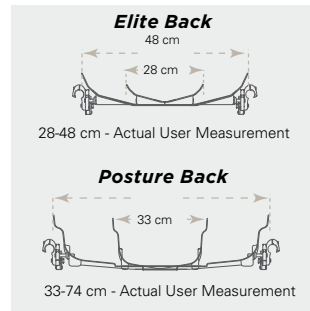
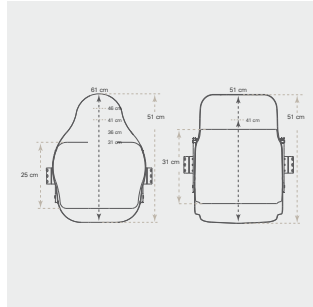
- Quick release for easy removal/portability
- Infinite adjustment of depth (10.2 cm, angle (40°) and rotation
- Fits 1.9 cm, 2.2 cm and 2.5 cm diameter back canes
- Hardware to fit 2.9 cm diameter canes also available

Styles:

■ The following styles of the *Invacare **Matrx Backs*** are interchangeable on the *Easy Set Hardware*:

1. *Invacare **Matrx Elite Back***
2. *Invacare **Matrx Elite Deep Back***
3. *Invacare **Matrx PB Back***
4. *Invacare **Matrx PB Deep Back***

Hardware Key Features and Functional Benefits



Styles

*Invacare **Matrx backs***: Elite, Elite Deep, PB and PB Deep are interchangeable on the *Easy Set Hardware*.

Heights

Several back heights available to provide support from low to upper thoracic.

Widths

Backs widths from 28-74 cm are available to provide exact fit for each user.

Contour Depth

Choice of 4 contour depths for appropriate midline support requirements.

Accessories - Mounting Pins

Standard Mounting Pins

Standard mounting pins (included with all *Invacare **Matrx PB/Elite backs***) allow the *Invacare **Matrx PB back*** to fit chairs 2.5 cm narrower or same model width. Allows *Elite Back* to fit chairs the same width

Longer Mounting Pins

Longer mounting pins (included with all *Invacare **Matrx PB/Elite backs***) allow the *Invacare **Matrx PB*** and *Elite Backs* to fit chairs 2.5 cm wider

Extended Mounting Pins

Optional extended mounting pins available for *Invacare **Matrx PB & Elite Backs*** (Not available on Heavy Duty PB backs). Allows the back to fit chairs up to 5 cm wider.

Easy Set Hardware Adjustments



Depth

Adjusts 5 cm behind back canes.



Depth

Adjusts 5 cm in front of back canes.



Angle

20° anterior range of back angle adjustment.



Angle

20° posterior range of back angle adjustment.



Rotation

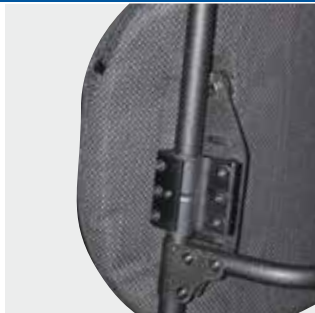
Back may be orientated to accommodate pelvic/trunk rotation.

Other Mounting Hardware Options



Heavy Duty “Easy-Set” Mounting Hardware

- Standard with Heavy-Duty Posture Backs
- Recommended for users over 136 kg, high tone or heavy use



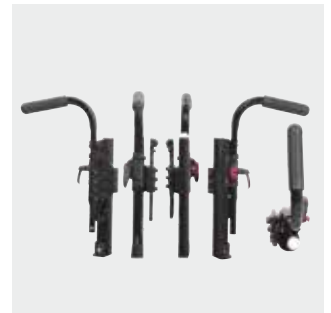
Fixed Space Saver Mounting Hardware

- Non-Portable
- Requires tools for removal of back from wheelchair
- Saves space for tighter width applications
- Fully adjustable, available as a no charge option



Split Mounting Hardware

- Provides clearance of mid back cane rigidizer bars or other impedences on the back canes
- Not recommended for Heavy-Duty Posture backs
- Available as a no charge option



ETAC Mounting Hardware

Mounting Hardware that enables **Matrx backs** to be used with ETAC wheelchairs.

Optional Privacy Flap Attachment



All **Matrx PB Backs**, **Matrx Elite Backs** and **Matrx MX1 Backs** include loop fasteners for easy addition of the optional Privacy Flap. Four standard sizes of Privacy Flaps will be available to fit all standard backs from 30.5 to 50.5 cm wide. Model numbers PLAP-XS/S/M/L. **Matrx PB backs** having widths greater than 50.5 cm can be ordered with the Privacy Flaps at time of order.

Lateral Options for *Matrix Elite Back*



Fixed

6 cm of vertical adjustment on back shell. Mount inside back shell without interfering with depth/angle adjustment. Available in standard Length (L) 19 cm x Height (H) 13 cm and pediatric Length (L) 14 cm x Height (H) 8 cm sizes.

- **PBLS-L** Standard Left Lateral (each) complete with Pad (19 cm L x 13 cm H).
- **PBLS-R** Standard Right Lateral (each) complete with Pad (19 cm L x 13 cm H).
- **PBSS-L** Small Left Lateral (each) complete with Pad (14 cm L x 8 cm H).
- **PBSS-R** Small Right Lateral (each) complete with Pad (14 cm L x 8 cm H).



Offset Fixed

Provides an additional 8 cm of vertical position (higher or lower) relative to mounting slots. Available L - 19 cm x H - 13 cm.

- **PBOL-L OR PBOL-R** Offset Left or Right Fixed Lateral complete with Pad (each).



Swing-Away

6 cm of vertical adjustment on back pan. Mount inside back shell without interfering with depth/angle adjustment. Easy push button release 4 pad sizes. Swings completely behind back. Does not interfere with flip-back arms. Pads ordered separately (see below).

- **SAHEB** Left or Right Swing Away Lateral (each).

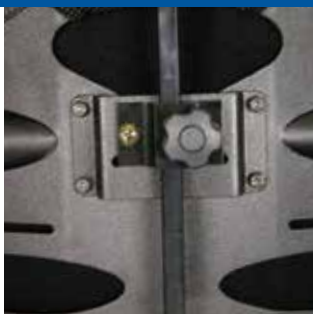


Offset Swing-Away

Provides an additional 8 cm of vertical position (higher or lower). Mount inside back shell without interfering with depth/angle adjustment. Easy push button release, 4 pad sizes. Pads ordered separately (see 'Lateral Pads' below).

- **OSAH-L OR OSAH-R** Offset Left or Right Swing Away Lateral (each).

Headrest Option



Headrest Adapter

Allows the headrest to be mounted directly onto *Invacare Matrix Elite backs*. Available in 3 sizes.

- Small: For attachment of headrests to Elite Backs 31 cm wide
- Medium: For attachment of headrests to Elite Backs 33 - 43 cm wide
- Large: For attachment of headrests to Elite Backs 46 - 51 cm wide



Soft Pad Headrest Kit - PHRK

- Multi-Axis hardware
- Dual pivot balls for pad orientation
- Depth adjustable through horizontal slide bar
- 25 cm soft pad



Headrest Cutout Reinforcement

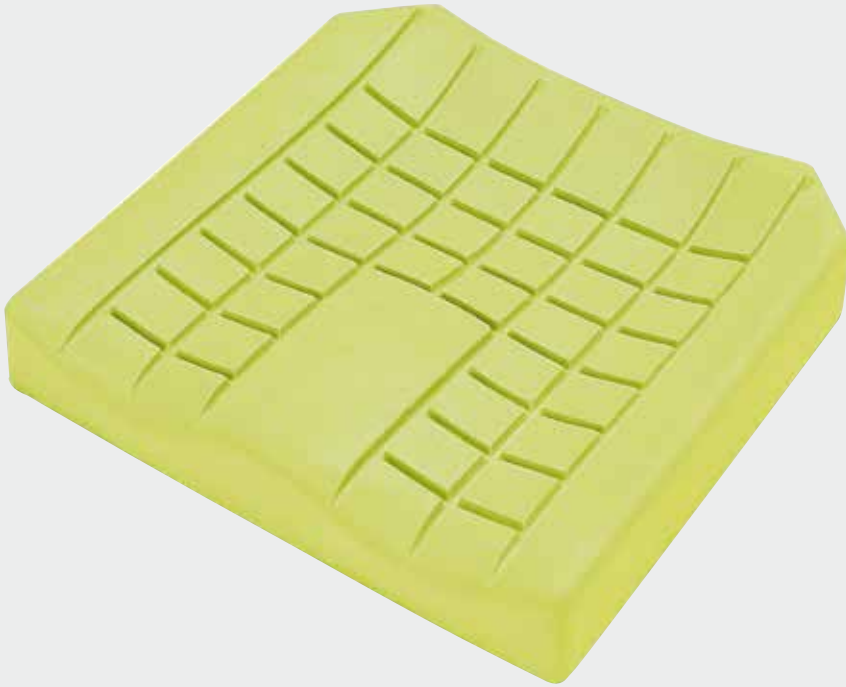
The *Matrix PB and Elite Backs* are prepared for the easy attachment of headrests through pre-drilled holes and a cutout area on the upholstery of the outer cover. This will prevent fraying of the fabric as well as allow easy removal of the cover for laundering without having to remove the headrest attachment plate.



Lateral Pads

To be used in conjunction with SwingAway and Offset SwingAway Laterals (for *Elite Back*):

- **EPAD-XS** Extra Small 11 cm (L) x 8 cm (W) (each).
- **EPAD-S** Small 13 cm (L) x 9 cm (W) (each).
- **EPAD-M** Medium 15 cm (L) x 10 cm (W) (each).
- **EPAD-L** Large 17 cm (L) x 11 cm (W) (each).



Invacare **Matrx Flo-tech Lite**

The *Invacare* **Matrx Flo-tech Lite** cushion is a slimline contoured cushion ideally suited to users at low risk of developing pressure ulcers and for comfort purposes only. The contoured seating surface offers improved stability and postural support. With sizes starting from 25 x 25 cm the **Matrx Flo-tech Lite** cushion is particularly suited to paediatric users.

Slimline foam base made from high quality resilient, moulded foam

The high quality resilient foam is manufactured using a unique formula which offers high levels of pressure reduction and improves product longevity. Moulding allows the **Matrx Flo-tech Lite** cushion to provide a 3D form, which cannot be emulated in cut foam. The pommel at the front of the cushion separates the thighs, encourages good posture and allows air to circulate.

Contoured seating surface

Offers improved stability and postural support. Also delivers a greater degree of weight distribution compared to that of a flat surface.

The castellations of the cushion allow slight movement which in turn reduces shear and friction forces.

Features and Options



Cover is resistant to fluid ingress

Cover is two-way stretch, water-resistant and vapour-permeable. Cover features an anti-slip base with carry handle



Available in 61 sizes

The *Invacare* **Matrx Flo-tech Lite** is available in a range of 61 sizes, from 25 x 25 to 48 x 53 cm.



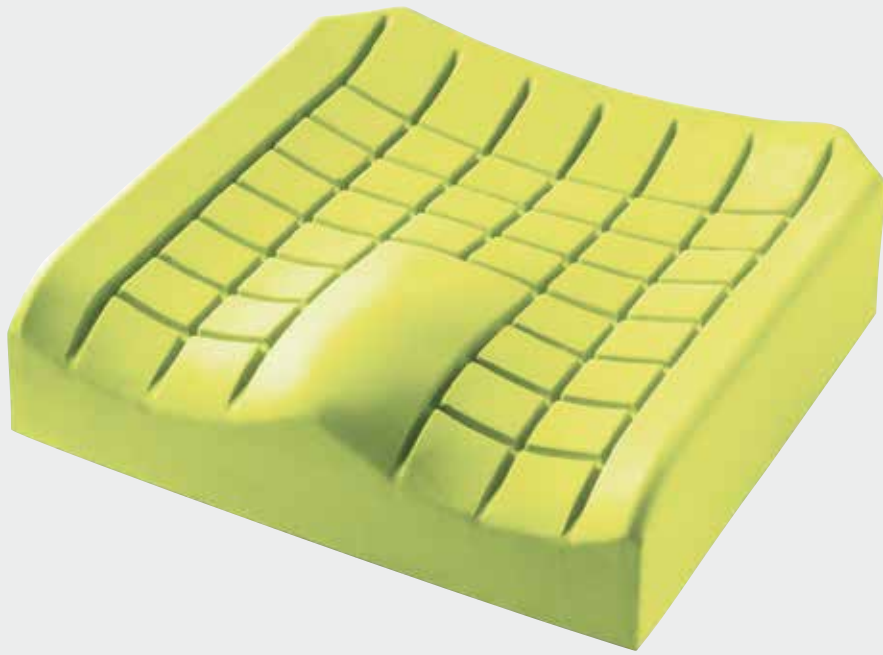
Integral sag compensator option

Option of sag compensator to accommodate the sag in wheelchair seats, and ensure the cushion is correctly presented.



Ultra-Fresh™ added to all Flo-tech foam for antimicrobial and odour protection

Antimicrobial treatment that has been added to all **Flo-tech** foam to help make it resistant to the growth of odour causing bacteria. Helps provide longer lasting freshness.



Invacare **Matrx Flo-tech Contour**

The surface of the *Invacare Matrx Flo-tech Contour* cushion is contoured into sections. This unique design improves posture and increases the support surface area, effectively dissipating weight away from specific pressure points. The combination of improved posture and increased support surface area will contribute significantly to pressure ulcer prevention. This deep cushion is suitable for heavier users.

Moulded foam cushion

Moulding allows **Matrx Flo-tech** cushions to provide a three-dimensional form, which cannot be emulated in cut foam. Moulded foam is highly durable, increasing the product's longevity.

Contoured seating surface

Offers improved stability and reduce shear and friction forces on postural support; castellations tissue.

Features and Options



Ingress Resistant Cover

Cover is two-way stretch, water-resistant and vapour-permeable. Cover features an anti-slip base with carry handle.



Available in 83 sizes

The *Invacare Matrx Flo-tech Contour* is available in a range of 83 sizes, from 33 x 36 to 60 x 55 cm.



Integral Sag Compensator option

Option of sag compensator to accommodate the sag in wheelchair seats, and ensure the cushion is correctly presented.



Ultra-Fresh™ added to all Flo-tech foam for antimicrobial and odour protection

Antimicrobial treatment that has been added to all **Flo-tech** foam to help make it resistant to the growth of odour causing bacteria. Helps provide longer lasting freshness.



Invacare **Matrx Flo-tech Contour Lo-Back Cushion**

The new *Invacare* **Matrx Flo-tech Contour Lo-Back Cushion** has been successfully designed to have a lower rear edge which will consequently allow the user to sit further back in the seat, effectively optimizing the support surface contact area for pressure distribution, postural support and reducing sacral area interface pressures.

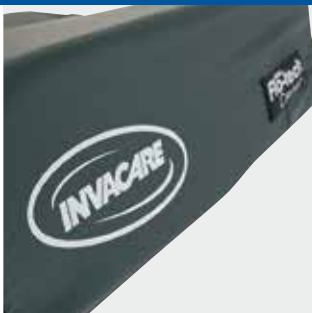
Contour Lo-Back Cushion optimizes support surface contact area

Comparison with standard wheelchair cushion, showing improved posture through use of the **Matrx Flo-tech Contour Lo-Back Cushion**.

Moulded Foam Cushion

Moulding allows **Matrx Flo-Tech** cushions to provide a three-dimensional form, which cannot be emulated in cut foam. Moulded foam is highly durable, increasing the product's longevity.

Features and Options



Ingress Resistant Cover
Cover is two-way stretch, water-resistant and vapour-permeable. Cover features an anti-slip base with carry handle.



Available in 83 sizes
The *Invacare* **Matrx Flo-tech Contour Lo-Back Cushion** is available in a range of 83 sizes, from 36 x 33 to 60 x 55 cm.



Contoured seating
Offers improved stability and postural support. Castellations reduce sheer and friction forces on tissue



Ultra-Fresh™ added to all Flo-tech foam for antimicrobial and odour protection
Antimicrobial treatment that has been added to all **Flo-tech** foam to help make it resistant to the growth of odour causing bacteria. Helps provide longer lasting freshness.



Invacare **Matrx Flo-tech Lite Visco**

The *Invacare* **Matrx Flo-tech Lite Visco** cushion is high density and temperature sensitive to the body, allowing it to conform to the user's shape. This affords exceptional levels of comfort whilst reducing the occurrence of peak pressures. This low profile cushion format is ideal for both chair and wheelchair use, facilitating side transfers.

Low memory foam designed to maximise body contact area

The temperature-sensitive foam conforms to the user's body, maximising the contact area, delivering exceptional levels of comfort and optimising pressure reduction.

Contoured seating surface with pommel and side support

Offers increased lateral support and pelvic stability to enhance the user's posture.

Features and Options



Ingress Resistant Cover

Cover is two-way stretch, water-resistant and vapour-permeable. Cover features an anti-slip base with carry handle.



Available in 61 sizes

The *Invacare* **Matrx Flo-tech Lite Visco** is available in a range of 61 sizes, from 25 x 25 to 48 x 53 cm.



Three foam densities available

Available in three densities to accommodate a range of user weights - Soft (up to 32 kg), Medium (up to 51 kg) and Firm (up to 100 kg).



Invacare **Matrx Flo-tech Contour Visco**

The *Invacare* **Matrx Flo-tech Contour Visco** cushion is moulded from Visco-elastic foam, which is temperature-sensitive to the body. As the foam warms, the contoured surface area conforms to the shape of the user's body, improving posture, increasing comfort and maximising the surface area in contact with the user, thereby optimising pressure reduction.

Deep moulded low memory foam cushion

The temperature-sensitive foam conforms to the user's body, maximising the contact area, delivering exceptional levels of comfort and optimising pressure reduction. The deep foam makes this cushion particularly suitable for heavier and taller users.

Contoured seating surface withommel and side support

Offers increased lateral support and pelvic stability to enhance the user's posture.

Features and Options



Ingress Resistant Cover

Cover is two-way stretch, water-resistant and vapour-permeable. Cover features an anti-slip base with carry handle.



Available in 51 sizes

The *Invacare* **Matrx Flo-tech Contour Visco** is available in a range of 51 sizes, from 36 x 33 to 51 x 46 cm.



Four foam densities available

Available in four densities to accommodate a range of user weights - Soft (up to 51 kg), Medium (up to 76 kg), Firm (up to 108 kg) and Very Firm (up to 127 kg).



Invacare **Matrx Flo-tech Plus**

The *Invacare* **Matrx Flo-tech Plus** cushion incorporates a gel sac which is located towards the rear of the cushion. The positioning of the gel sac accommodates the ischial tuberosities, helping to significantly reduce pressure in this vulnerable area. This delivers superior levels of protection for those patients identified as being at High Risk of developing pressure ulcers.

Deep contoured foam base with gel sac at rear of the cushion

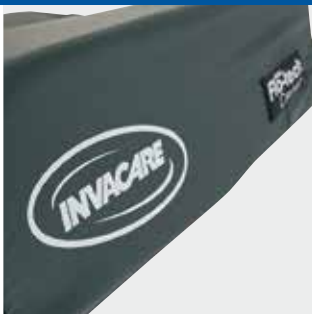
The positioning of the gel sac affords increased immersion and protection to the Ischial Tuberosities for users who are at High Risk of developing pressure ulcers.

Contoured seating surface

Offers improved stability and postural support. Also delivers a greater degree of weight distribution compared to that of a flat surface. The castellations of the cushion allow slight movement which in turn

reduces shear and friction forces. The deeper moulded foam offers greater protection to those who are considered clinically obese, or users who would benefit from a higher sitting position.

Features and Options



Ingress Resistant Cover

Cover is two-way stretch, water-resistant and vapour-permeable. Cover features an anti-slip base with carry handle.



Available in 80 sizes

The *Invacare* **Matrx Flo-tech Plus** is available in a range of 80 sizes, from 36 x 33 to 60 x 55 cm.



Integral Sag Compensator option

Option of sag compensator to accommodate the sag in wheelchair seats, and ensure the cushion is correctly presented.



Ultra-Fresh™ added to all Flo-tech foam for antimicrobial and odour protection

Antimicrobial treatment that has been added to all **Flo-tech** foam to help make it resistant to the growth of odour causing bacteria. Helps provide longer lasting freshness.



Invacare **Matrx Flo-tech Image**

The *Invacare Matrx Flo-tech Image* cushion uses a combination of a slim, shaped foam cushion base and a large gel sac covering the sacral area, increasing even weight distribution and immersion of the ischial tuberosities. This design delivers a high degree of protection to users who are at High Risk of developing pressure ulcers. This slim cushion format is ideal for both chair and wheelchair use.

Slimline contoured foam and gel combination cushion

Some users prefer a slimline cushion, finding it more compatible with their daily living activities. The *Invacare Matrx Flo-tech Image* combines the benefit of a contoured foam upper surface with a large gel sac covering the ischial and sacral area, offering increased support and reducing the occurrence of peak pressures.

Contoured seating surface with gel sac

Offers improved stability and postural support; moulded foam castellations and gel combine effectively to reduce shear and friction forces on tissue.

Features and Options



Ingress Resistant Cover

Cover is two-way stretch, water-resistant and vapour-permeable. Cover features an anti-slip base with carry handle.



Available in 23 sizes

The *Invacare Matrx Flo-tech Image* is available in a range of 23 sizes, from 36 x 33 to 46 x 41 cm.



Integral Sag Compensator option

Option of sag compensator to accommodate the sag in wheelchair seats, and ensure the cushion is correctly presented.



Ultra-Fresh™ added to all Flo-tech foam for antimicrobial and odour protection

Antimicrobial treatment that has been added to all **Flo-tech** foam to help make it resistant to the growth of odour causing bacteria. Helps provide longer lasting freshness.



Invacare **Matrx Flo-tech Solution**

The *Invacare* **Matrx Flo-tech Solution** cushion uses a combination of a slim, shaped foam cushion base and a dual layer of gel sacs over the ischial and sacral area. The dual gel sacs and the unique moulded foam shape of the solution increases the support surface area. This delivers a superior level of protection for those patients identified as being at Very High Risk of developing pressure ulcers, or for those with already established tissue damage.

Slimline contoured foam base with large dual gel sac covering the entire top surface of the cushion

The contact area between the user and the foam cushion is protected, as the gel re-distributes pressure away from bony prominences. The additional layer of gel is incorporated under the ischial and sacral area to further enhance the pressure reducing qualities of this cushion, making this cushion suitable for Very High Risk users.

Slimline contoured cushion

Some users prefer a slimline cushion, finding it more compatible with their daily living activities. The low profile

is particularly beneficial for the facilitation of side transfers.

Features and Options



Ingress Resistant Cover

Cover is two-way stretch, water-resistant and vapour-permeable. Cover features an anti-slip base with carry handle.



Available in 44 sizes

The *Invacare* **Matrx Flo-tech Solution** is available in a range of 44 sizes, from 38 x 41 to 51 x 46 cm.



Invacare **Matrx Flo-tech Deep Solution option**

Option of a 10 cm "Deep" foam base is also available in 12 sizes. (See size chart for details).



Ultra-Fresh™ added to all Flo-tech foam for antimicrobial and odour protection

Antimicrobial treatment that has been added to all **Flo-tech** foam to help make it resistant to the growth of odour causing bacteria. Helps provide longer lasting freshness.



Invacare **Matrx Flo-tech Solution Xtra Cushion and Modular System**

The new *Invacare* **Matrx Flo-tech Solution Xtra Cushion and Modular System** has been developed alongside clinicians to address the individual postural requirements of Wheelchair Users. Through using this **modular system**, therapeutic interventions can be more effectively addressed with regards to postural maintenance of End Users, through enhancing function, maximizing comfort and preserving skin integrity.

Designed to promote active correction and management of posture

The modular components are manufactured from high-density CMHR foam, which be deployed to achieve active correction and posture management. The wedges feature witness marks and Velcro fixings, enabling them to be cut to meet the needs of individual users. The application of wedges beneath the cushion combined with the deployment of modular components on the top surface deliver a highly versatile range of options for therapists seeking to achieve specific postural management interventions.

Cover Design

The cover is manufactured in an ingress-resistant material, which inhibits fluids from wetting the cover fabric. In addition, an innovative design has been incorporated into the cover, allowing it to expand and thereby increasing a user's immersion into the cushion once *Invacare* **Matrx**

Flo-tech Xtra components have been added. The cover features two zips, which have colour coded sliders: Blue to open the cover.

- Green to expand.

The cover can be opened either from the top or the bottom to adjust the components as necessary.

Features and Options



Positioning Components

Pelvic Obliquity Pad, Hip Aligner, Thigh Aligner, Pommel-Standard or Deep; Front, Side & Lateral Wedges; Fluid Pack & Rigidisers.

Features and Options



Pelvic Obliquity pad

The pelvic obliquity pad can be inserted into either side of the ischial well under the gel pad to help correctable and fixed pelvic obliquities.



Hip Aligner

The Hip Aligner can be placed on either side on the rear edge of the cushion, secured by the velcro, and used either unilaterally or bilaterally to encourage mid-lining and hip alignment.



Thigh Aligner

The Thigh Aligner can be placed on either side at the front of the femoral shelf and used either unilaterally or bilaterally to reduce external rotation and abduction of the thighs.



Pommel - Standard or Deep

The pommel can be placed on the front of the cushion to increase the existing pommel height to help femoral alignment, maintains hip joints and may assist with spasticity.



Front Wedge

Front Wedge is to be placed on the underneath of the cushion base and will need to be trimmed to size. Helps assist with pelvic stability and accommodates posterior tilt whilst reducing anterior tilt.



Fluid Pack

A Fluid Pack can be inserted into the ischial well where required, and can be doubled for specific placing. Specific placement will help prevent forward sliding, assist with sacral pressure and help mild pelvic obliquity.



Lateral Wedges

Lateral Wedges can be placed underneath the base of the cushion and must be trimmed to the size of the cushion. Helps facilitate lateral pelvic and hip stability and encourages more contoured positioning.



Side Wedges

Side wedges can be placed on any corner of the cushion base. Can help assist lateral hip rotation and thigh alignment. Can be used under one thigh for mild hip flexion discrepancies and for milder postural positioning.



Rigidisers

The Rigidiser is to be placed under the whole cushion (including wedges). This maintains a firm base on slung canvases to maximise effect of component parts.



Ultra-Fresh™ added to all Flo-tech foam for antimicrobial and odour protection

Antimicrobial treatment that has been added to all **Flo-tech** foam to help make it resistant to the growth of odour causing bacteria. Helps provide longer lasting freshness.



Invacare **Matrix Flo-tech Back Support**

The *Invacare* **Matrix Flo-tech Back Support** range has been designed to provide added stability to a wheelchair or standard armchair and it can be used in conjunction with any **Matrix Flo-tech** cushion.

The **Matrix Flo-tech Back Support** range provides excellent comfort and improved user positioning, which in turn helps to improve or maintain independence whilst in the seated position in a wheelchair or armchair. The unique supportive design offers protection from pressure ulcer formation and spinal deformities which can cause severe pain.

A highly protective Back Support

The **Back Support** provides a high degree of stability and protection from pressure ulcer development.

The added support of the Lumbar

The **Back Support with Lumbar** can be used for those patients who wish to have increased lateral and pelvic stability. The Visco Elastic

Lumbar Support contours to the individual and can be easily adjusted and secured with Velcro pads, to accommodate a range of heights.

Features and Options



Cover is moisture resistant

Cover is two-way stretch, moisture-resistant and vapour-permeable, which helps to prevent a build up of shear and friction forces against the user.



Extendable Straps

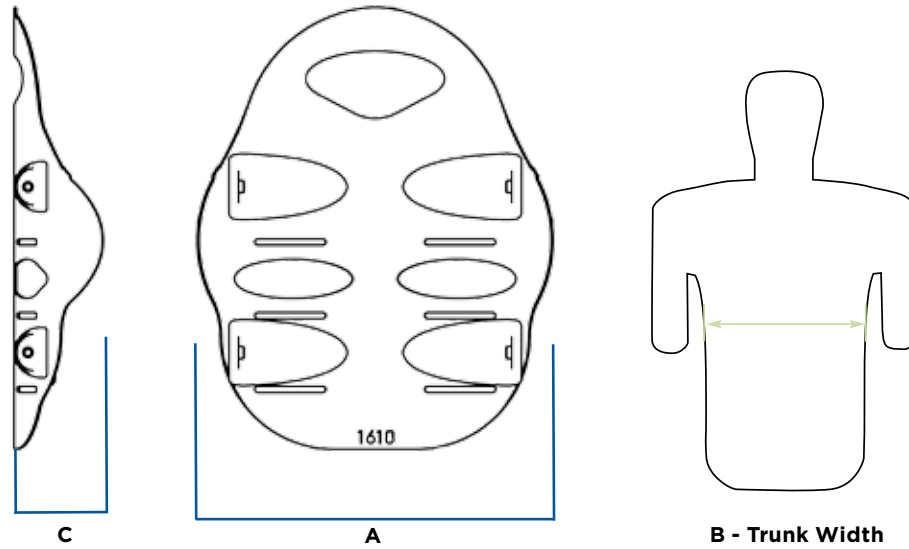
Offers the user a securely fixed **Back Support** on a standard armchair or wheelchair. The straps are easy to adjust and can be fixed to a position that provides the user with the maximum comfort and support.



Ultra-Fresh™ added to all Flo-tech foam for antimicrobial and odour protection

Antimicrobial treatment that has been added to all **Flo-tech** foam to help make it resistant to the growth of odour causing bacteria. Helps provide longer lasting freshness.

Invacare **Matrix Back Specifications**



Invacare Matrix Elite Back Support

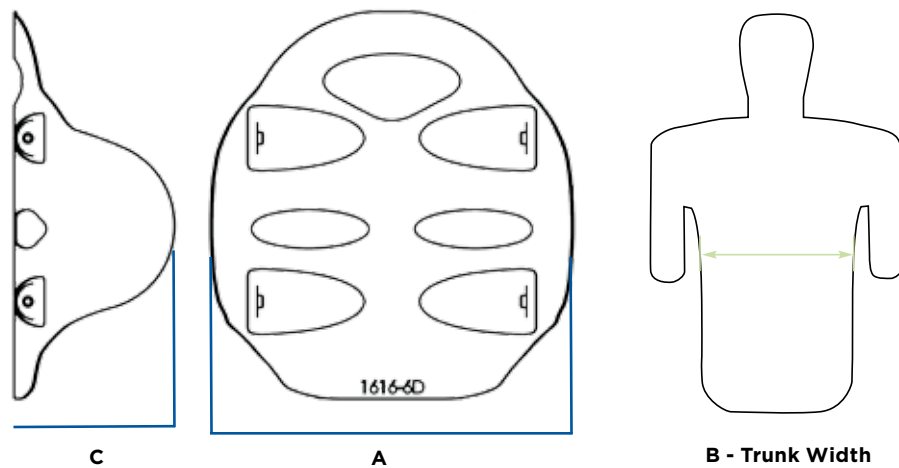
Back Height	25.5 cm, 30.5 cm, 35.5 cm (available in 30.5 cm, 33 cm, and 35.5 cm widths), 40.5 cm, 45.5 cm, 50.5 cm								
Width	30.5 cm	33 cm	35.5 cm	38 cm	40.5 cm	43 cm	45.5 cm	48 cm	50.5 cm

Back Shell Only

A-Outer Width	24.5 cm	26 cm	31.5 cm	34 cm	36.5 cm	39 cm	41.5 cm	44 cm	46.5 cm
C-Contour Depth	7.6 cm	7.6 cm	9 cm	9 cm	9 cm	9 cm	9 cm	9 cm	9 cm

Back Shell with Cover & Foam

B-Trunk Width	17.5 cm	20 cm	25 cm	27.5 cm	30 cm	32.5 cm	35 cm	37.5 cm	40 cm
---------------	---------	-------	-------	---------	-------	---------	-------	---------	-------



Invacare Matrix Elite Deep Back

Back Height	30.5 cm, 40.5 cm, 45.5 cm, 50.5 cm							
Width	35.5 cm	38 cm	40.5 cm	43 cm	45.5 cm	48 cm	50.5 cm	

Back Shell Only

A-Outer Width	33.5 cm	36 cm	38.5 cm	41 cm	43.5 cm	46 cm	48 cm
C-Contour Depth	15.5 cm	15.5 cm	15.5 cm	15.5 cm	15.5 cm	15.5 cm	15.5 cm

Back Shell with Cover & Foam

B-Trunk Width	25 cm	27.5 cm	30 cm	32.5 cm	35 cm	37.5 cm	40 cm
---------------	-------	---------	-------	---------	-------	---------	-------

Depth adjustment 10 cm (5 cm in front or behind)

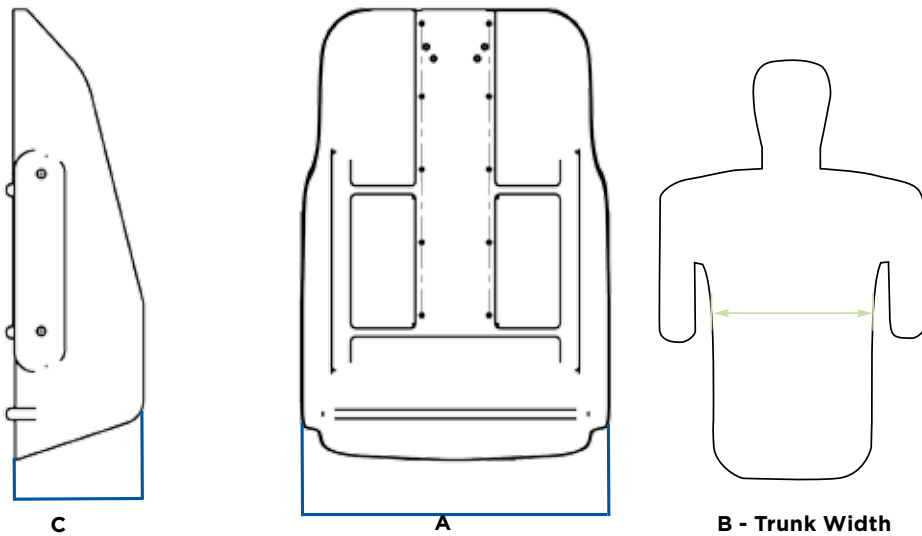
Angle Adjustment 40°

Product Weight Standard - 1.36 kg
Deep - 1.81 kg

Weight Capacity 136 kg

Limited Warranty 2 years

Invacare **Matrix Back Specifications**



Invacare Matrix PB Back

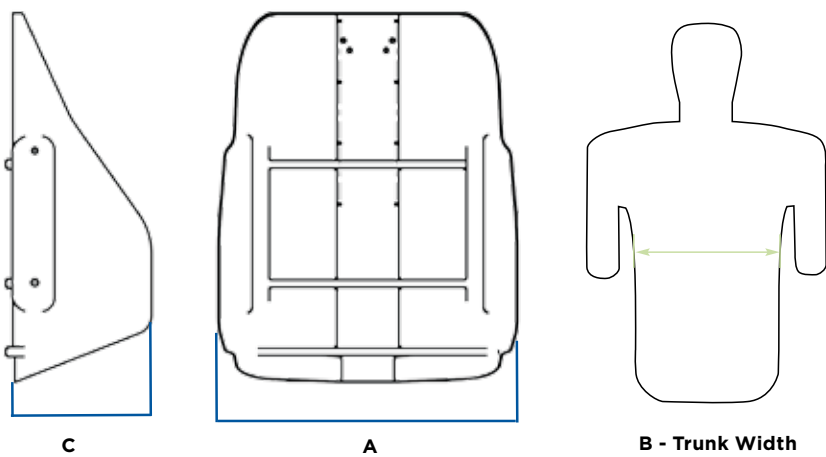
Back Height	30.5 cm, 40.5 cm, 50.5 cm				
Width	35.5 cm	40.5 cm	43 cm	45.5 cm	50.5 cm

Back Shell Only

A-Outer Width	31 cm	36 cm	38.5 cm	42 cm	46.5 cm
C-Contour Depth	12.5 cm	12.5 cm	12.5 cm	12.5 cm	12.5 cm

Back Shell with Cover & Foam

B-Trunk Width	23 cm	27.5 cm	30 cm	33 cm	37.5 cm
---------------	-------	---------	-------	-------	---------



Invacare Matrix PB Deep Back

Back Height	30.5 cm, 40.5 cm, 50.5 cm				
Width	35.5 cm	40.5 cm	43 cm	45.5 cm	50.5 cm

Back Shell Only

A-Outer Width	32 cm	37 cm	39.5 cm	43.5 cm	47.5 cm
C-Contour Depth	17.8 cm	17.8 cm	17.8 cm	17.8 cm	17.8 cm

Back Shell with Cover & Foam

B-Trunk Width	23 cm	27.5 cm	30 cm	33 cm	37.5 cm
---------------	-------	---------	-------	-------	---------

Depth adjustment	10 cm (5 cm in front or behind)
Angle Adjustment	40°
Product Weight	Standard - 1.81 kg Deep - 2.25 kg
Weight Capacity	136 kg
Limited Warranty	2 years

Technical data



Width:
36 / 38 / 41 /
43 / 46 cm



Weight:
.5 kg and up



Max. User Weight:
115 kg



Cleaning:
60°



Crash Testing
ISO-16840-4

Fire Testing:
EN 1021: Part 1 & 2

Bio-Compatibility:
ISO 10993-5

Matrx MX1 Back	36 / 38 / 41 / 43 / 46 cm	.5 kg and up	115 kg	60°
Elite Back	30.5 - 50.5 cm	.8 kg and up	136 kg	60°
Elite Deep Back	30.5 - 50.5 cm	1.4 kg and up	136 kg	60°
PB Back	35.5 - 76 cm	1.3 kg and up	136 kg	60°
PB Deep Back	35.5 - 76 cm	1.3 kg and up	136 kg	60°
HD PB Back	50.5 - 61 cm	2.7 kg and up	227 kg	60°
HD PB Deep Back	50.5 - 61 cm	3.2 kg and up	227 kg	60°
Matrx Flo-tech Back Support		1.1 kg and up	165 kg	80°



A range of
61 sizes



Height:
7.8 cm



Weight:
1.5 kg



Max. User Weight*:
127 kg



Cleaning:
80°



Water Resistant
Vapour
Permeable

Matrx Flo-tech Lite	A range of 61 sizes	7.8 cm	1.5 kg	127 kg	80°	
Matrx Flo-tech Contour	A range of 83 sizes	10.3 cm	1.38 kg	152 kg. On sizes 50.5cm x 48cm and above - Maximum User Weight 191 kg.	80°	
Matrx Flo-tech Contour Lo-Back Cushion	A range of 83 sizes	10.3 cm	1.38 kg	152 kg	80°	
Matrx Flo-tech Lite Visco	A range of 61 sizes	7.8 cm	1.26 kg	100 kg	80°	
Matrx Flo-tech Contour Visco	A range of 51 sizes	12 cm	1.60 kg	127 kg	80°	
Matrx Flo-tech Plus	A range of 80 sizes	10.3 cm	2.5 kg	152 kg. On sizes 50.5cm x 48cm and above - Maximum User Weight 191 kg	80°	
Matrx Flo-tech Image	A range of 50 sizes	7.8 cm	1.82 kg	140 kg	80°	
Matrx Flo-tech Solution	A range of 44 sizes		3.08 kg	140 kg	80°	
Matrx Flo-tech Xtra	Sizes Range: 44	7.8 cm	3.08 kg	140 kg	80°	Bariatric use

* Guide maximum user weight limits are set assuming that the cushion selected is of appropriate width and depth for the intended user/s.

Manufactured to European Standards:
BS EN 1021-1 Cig, BS EN 1021-2 Match, and BS 7176 (Crib 5)

Colours



Mesh Tex Fabric



Black Smooth



Black Wipedown



Black Spacer Fabric

Matrx MX1 Back	✓			
Elite Back	✓			
Elite Deep Back	✓			
PB Back	✓			
PB Deep Back	✓			
HD PB Back	✓			
HD PB Deep Back	✓			
Matrx Flo-tech Back Support		✓		
Matrx Flo-tech Lite		✓	✓	✓
Matrx Flo-tech Contour		✓	✓	✓
Matrx Flo-tech Contour Lo-Back Cushion		✓	✓	✓
Matrx Flo-tech Lite Visco		✓	✓	✓
Matrx Flo-tech Contour Visco		✓	✓	✓
Matrx Flo-tech Plus		✓	✓	✓
Matrx Flo-tech Image		✓	✓	✓
Matrx Flo-tech Solution		✓	✓	✓
Matrx Flo-tech Xtra		✓		✓



Lite Green



Kingfisher Green



Fuchsia



Mulberry



Teal Blue

Matrx Flo-tech Lite	✓				
Matrx Flo-tech Contour		✓			
Matrx Flo-tech Lite Visco	✓				
Matrx Flo-tech Contour Visco		✓			
Matrx Flo-tech Plus			✓		
Matrx Flo-tech Image				✓	
Matrx Flo-tech Solution					✓



Invacare International Sàrl
Route de Cité-Ouest 2 -
1196 Gland
Switzerland
Tel: +41 (0)22 354 60 10
Fax: +41 (0)22 354 60 11
hqeurope@invacare.com
www.invacare.eu.com

© 2016 Invacare International Sàrl. All rights reserved.

All information quoted is believed to be correct at time of print. Invacare reserves the right to alter product specifications without prior consultation. The reproduction or use of this work, or of any substantial part of this work, in any form or by any electronic, mechanical or other means, including photocopying, scanning and recording, and in any information storage and retrieval system, including electronic transmission, is forbidden without the prior written permission of Invacare International Sàrl. Ultra-Fresh™ is a registered trademark of Thomson Research Associates Inc, Canada.

Matrx Seating Series - EU - 03/2016