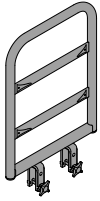




1x



1x



Mounting Instruction

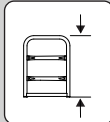
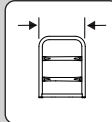
**Support Handle** for

Invacare® NordBed™ Essential

Invacare® NordBed™ Ultra

Invacare® NordBed™ Optimo

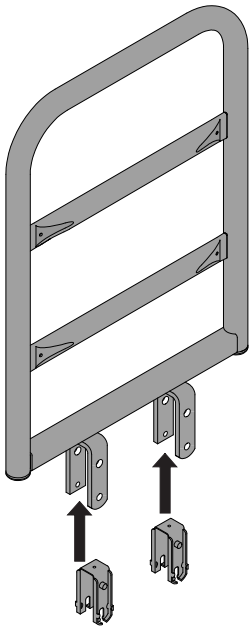
Invacare® NordBed™ Optimo Wide



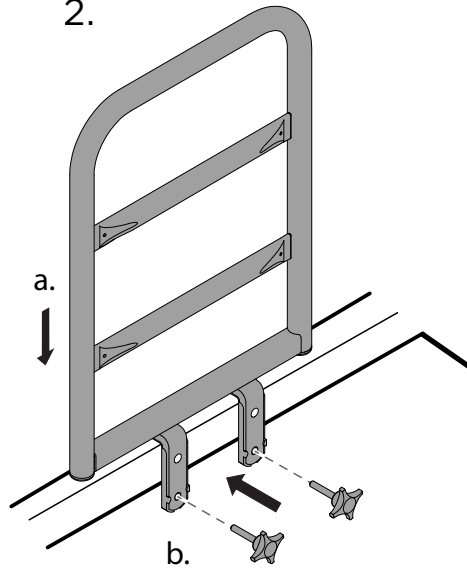
1651907 30 cm 40 cm

1651908 90 cm 40 cm

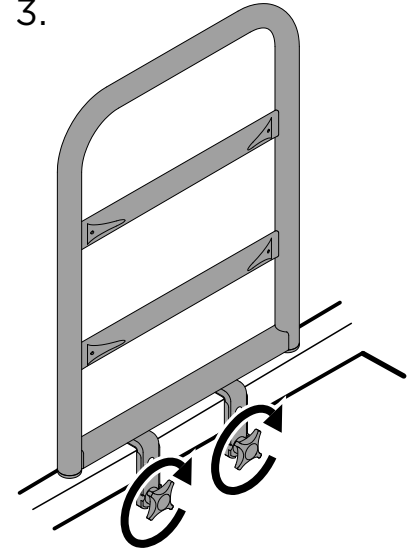
1.



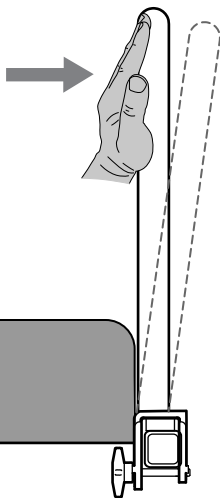
2.



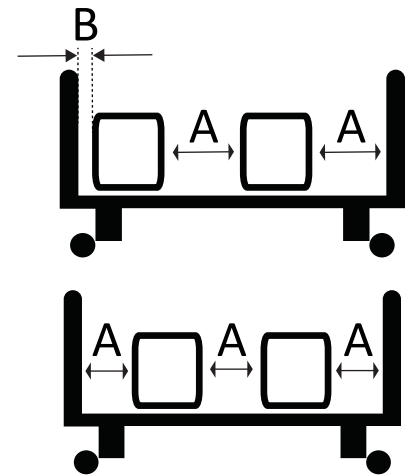
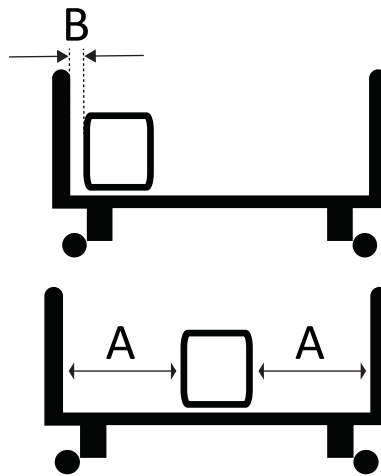
3.



Max. 60 kg



A = Min. 319 mm | B = Max. 59 mm



Invacare Rea AB  
Växjövägen 303  
SE-343 71 Diö  
Sweden



Yes, you can.®