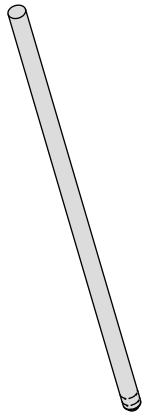




1x



1x



1x



1x



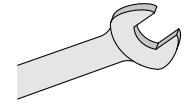
1x



### Mounting Instruction

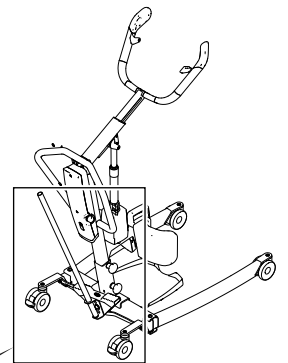
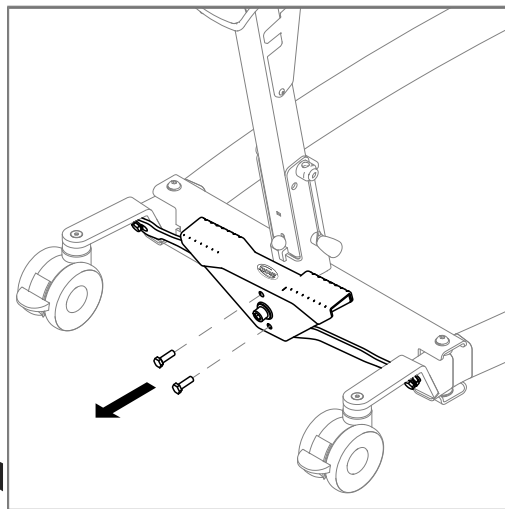
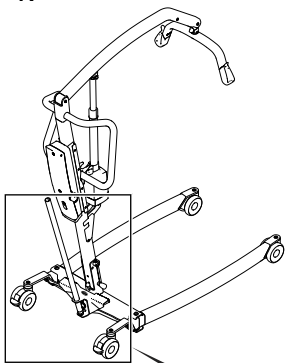
**Lever** for the manual leg spreader

- Invacare® **Birdie® Evo**
- Invacare® **Birdie® Evo COMPACT**
- Invacare® **Birdie® Evo PLUS**
- Invacare® **Birdie® Evo XPLUS**
- Invacare® **ISA™ STANDARD**
- Invacare® **ISA™ COMPACT**
- Invacare® **ISA™ PLUS**

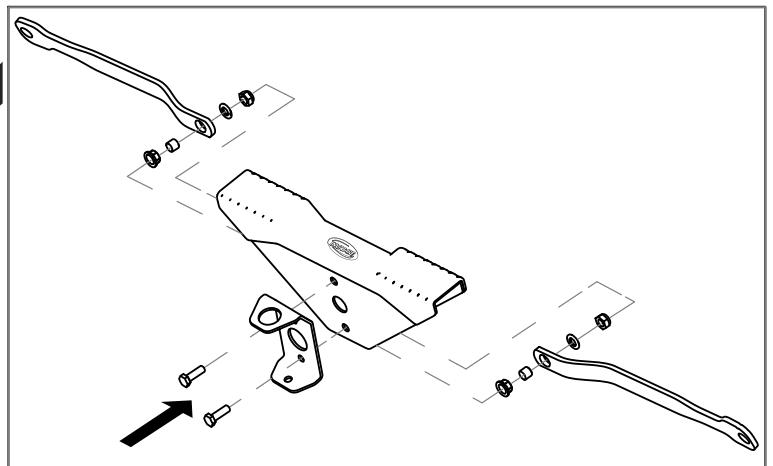
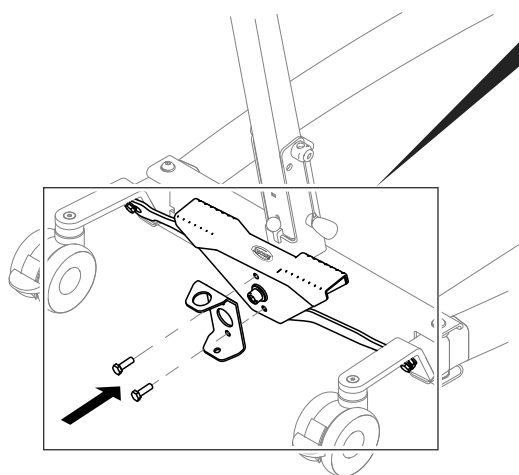


13 mm

1.



2.



Invacare Portugal, Lda  
 Rua Estrada Velha. 949  
 4465-784 Leça do Balio  
 Portugal



Mounting Instruction

**Lever** for the manual leg spreader

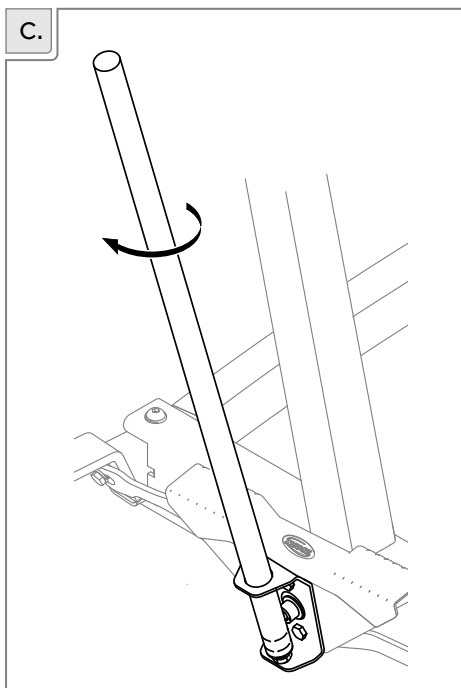
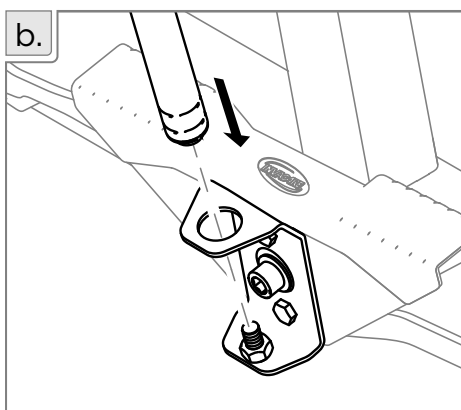
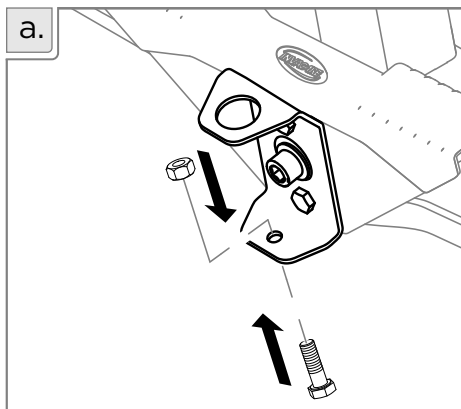
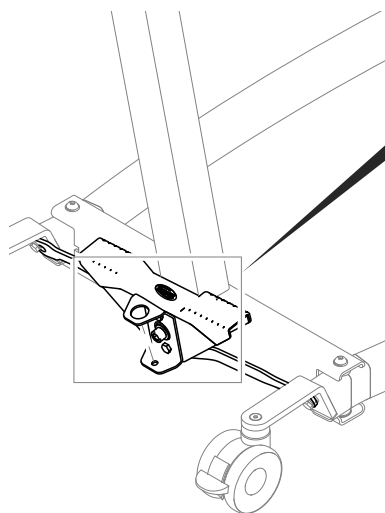
Invacare® **Birdie® Evo** | Invacare® **Birdie® Evo COMPACT**

Invacare® **Birdie® Evo PLUS** | Invacare® **Birdie® Evo XPLUS**

Invacare® **ISA™ STANDARD** | Invacare® **ISA™ COMPACT**

Invacare® **ISA™ PLUS**

3.



Invacare Portugal, Lda  
Rua Estrada Velha. 949  
4465-784 Leça do Balio  
Portugal

