

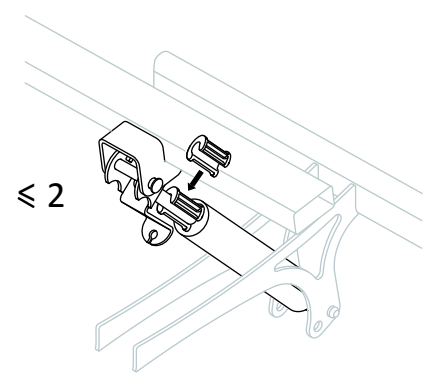
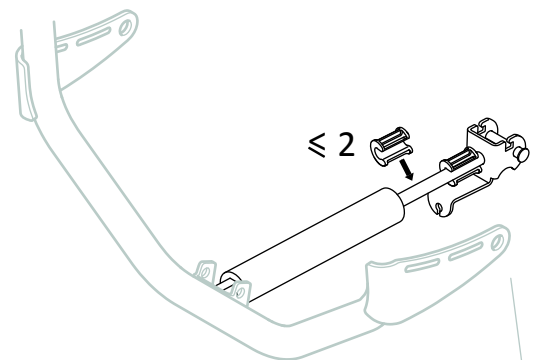





SP1570981






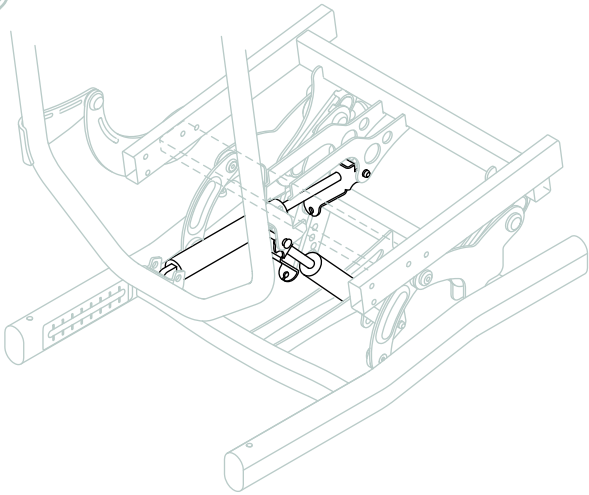
30°

4 x 




		
	0 - 20°	0 - 10°




		
	0 - 20°	0 - 10°

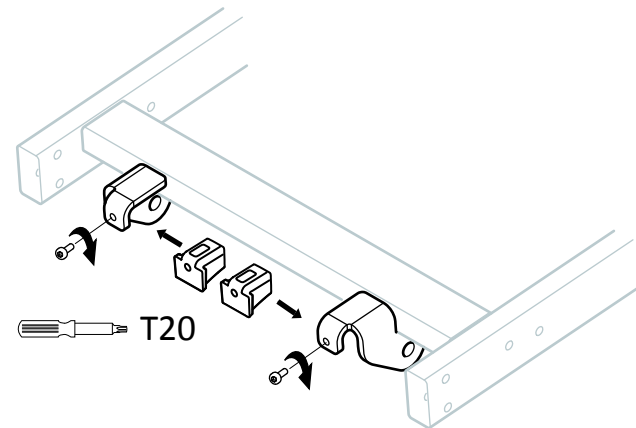
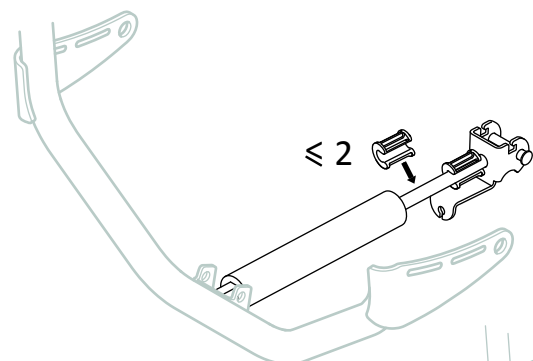





SP1570982





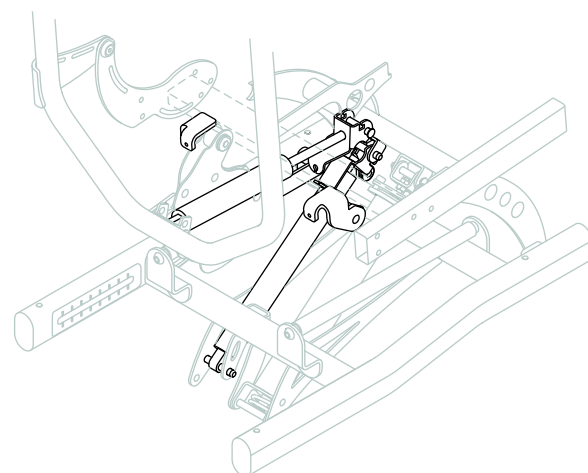
45°

2 x  2 x  2 x 



		
	0 - 20°	0 - 10°

	
	0 - 30°



Invacare France
 Operations SAS
 Route de St Roch
 F-37230 Fondettes
 France

