



Yes, you can.®



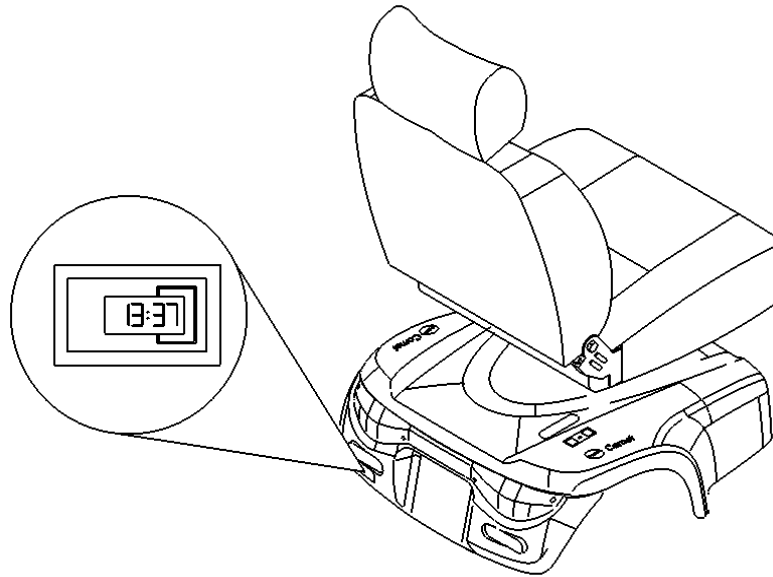
1571078~A

8

02/2013



1/3



5370157



10 mm

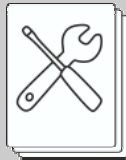


PH 2





Yes, you can.®



1571078~A

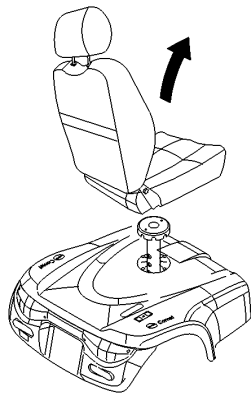
8

02/2013

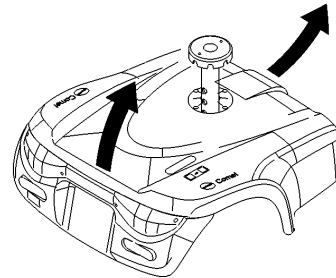


2/3

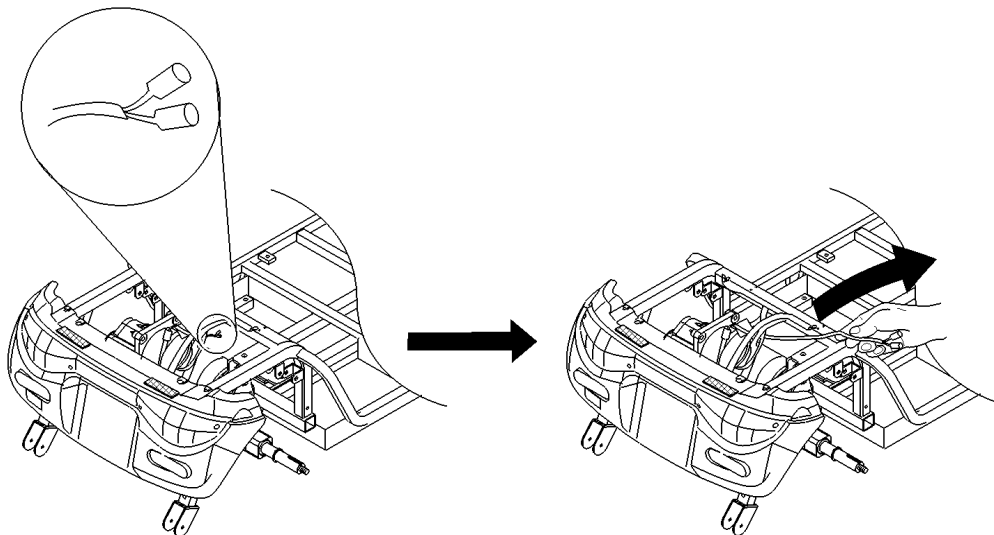
1



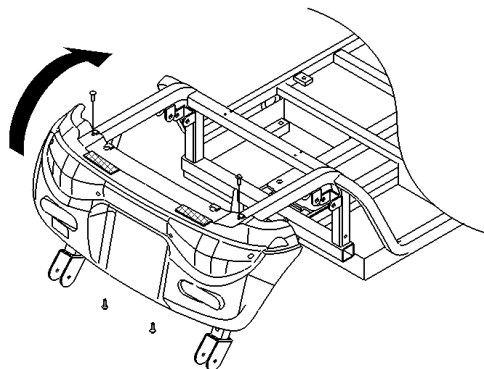
2



3

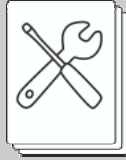


4





Yes, you can.



1571078~A

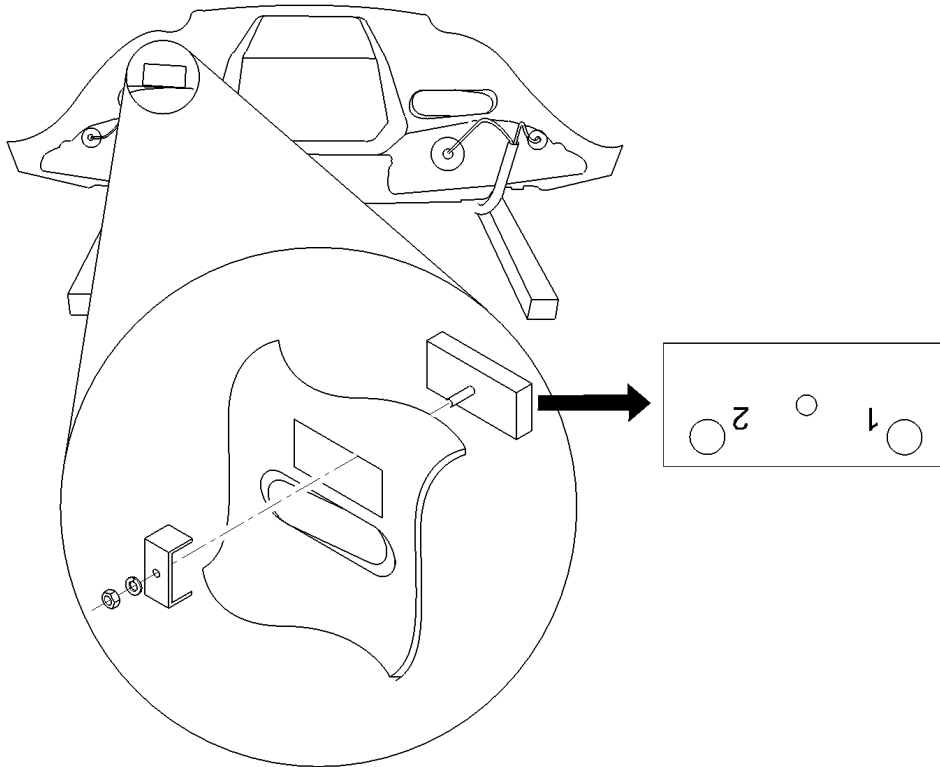
8

02/2013



3/3

5



6

