

# Rea® Azalea®

Azalea® Assist, Azalea® Base, Azalea® Max, Azalea® Minor,  
Azalea® Tall

en **Manual wheelchair passive**  
**User Manual**



This manual **MUST** be given to the user of the product.  
**BEFORE** using this product, this manual **MUST** be read and saved  
for future reference.

**rea**®



**Yes, you can.®**

©2023 Invacare Corporation

All rights reserved. Reproduction, duplication or modification in whole or in part is prohibited without prior written permission from Invacare. Trademarks are identified by ™ and ®. All trademarks are owned by or licensed to Invacare Corporation or its subsidiaries unless otherwise noted.

All information quoted is believed to be correct at time of print. Invacare reserves the right to alter product specifications without further notice. Rea, Rea design and DSS (Dual Stability System) design are registered trademarks of Invacare International.

# Contents

<b>1 General</b> . . . . .	<b>5</b>
1.1 Introduction . . . . .	5
1.2 Symbols in this Document . . . . .	5
1.3 Warranty Information . . . . .	5
1.4 Limitation of Liability . . . . .	5
1.5 Compliance . . . . .	5
1.5.1 Product-specific standards . . . . .	5
1.5.2 Compliance Azalea Base . . . . .	5
1.6 Service Life . . . . .	6
<b>2 Safety</b> . . . . .	<b>7</b>
2.1 Safety Information . . . . .	7
2.2 Azalea Max and Azalea with Laguna 2 backrest . . . . .	8
2.3 Safety Information on Electromagnetic Interference . . . . .	8
2.4 Safety Devices . . . . .	8
2.5 Labels and symbols on the product . . . . .	9
2.6 Symbols on Electrical Version . . . . .	10
<b>3 Product Overview</b> . . . . .	<b>11</b>
3.1 Product Description . . . . .	11
3.2 Intended Use . . . . .	11
3.3 Main parts of the wheelchair . . . . .	11
3.4 Parking brakes . . . . .	12
3.5 Adjusting the tension adjustable backrest . . . . .	12
3.6 Backrest for Azalea Max . . . . .	12
3.7 Tilting Seat and Backrest . . . . .	12
3.7.1 Manual tilt and backrest angle adjustment . . . . .	13
3.7.2 Electric tilt and backrest angle adjustment . . . . .	13
3.8 Push handles/Push bars . . . . .	16
3.8.1 Height adjustment push handles/push bars . . . . .	16
3.8.2 Adjusting the angle of the push bar . . . . .	17
3.9 Seat Adjustments . . . . .	17
3.9.1 Adjusting the seat depth . . . . .	17
3.9.2 Width adjustment seat . . . . .	17
3.10 Armrest adjustments . . . . .	18
3.10.1 Armrest height . . . . .	18
3.10.2 Armrest depth . . . . .	18
3.10.3 Armrest low . . . . .	18
3.11 Leg rests . . . . .	18
3.11.1 Swing away leg rests . . . . .	19
3.11.2 Swing Away, Angle Adjustable Leg Rests . . . . .	19
3.12 Calf pads — Azalea Max . . . . .	20
3.13 Other foot plates and footrest . . . . .	21
3.13.1 Adjusting the one-piece footrest . . . . .	21
3.13.2 Footboard converter — Azalea Max . . . . .	21
3.14 Adjusting the angle of the central legrest . . . . .	22
3.15 Amputee legrest . . . . .	22
3.15.1 Amputee legrest — general . . . . .	22
3.15.2 Amputee legrest — Azalea Max . . . . .	23
<b>4 Options</b> . . . . .	<b>24</b>
4.1 Headrest/Neckrest . . . . .	24
4.1.1 Height adjustment . . . . .	24
4.1.2 Depth / angle adjustment . . . . .	24
4.2 Hemiplegic armrest . . . . .	24
4.3 Abduction cushion . . . . .	24
4.4 Trunk support . . . . .	24
4.4.1 Trunk support with fixed arm . . . . .	24
4.4.2 Trunk support “swing-away” . . . . .	25
4.5 Lateral positioning pads (for adjustable backrest cover only) . . . . .	26
4.5.1 Using lateral positioning pads . . . . .	26
4.5.2 Using wedges with lateral positioning pad . . . . .	26
4.6 Adjusting the drip stand . . . . .	26
4.7 Tilt scale . . . . .	27
4.7.1 Tilt scale backrest . . . . .	27
4.7.2 Tilt scale seat . . . . .	27
4.8 Table tray . . . . .	28
4.8.1 Adjusting the depth of the table tray . . . . .	28
4.8.2 Swing away table . . . . .	28
4.9 Add a table tray cushion . . . . .	29
4.10 Add elbow cushions . . . . .	29
4.11 Mounting the attachment for table tray . . . . .	29
4.12 Half tray . . . . .	29
4.12.1 Mounting the half tray . . . . .	30
4.12.2 Adjusting the half tray . . . . .	30
4.12.3 Add a half tray cushion . . . . .	30
4.13 Anti-tip device . . . . .	30
4.14 Azalea Base — seat attachment . . . . .	31
4.15 Calf strap padded . . . . .	31
4.16 Heel strap — Azalea Max . . . . .	31
4.17 Brake extended — Azalea Max . . . . .	31
4.18 Cover for footrest / foot plate . . . . .	31
4.18.1 Attaching a cover to the single foot plate . . . . .	31
4.18.2 Attaching a cover to the one-piece footrest . . . . .	31
4.19 Foot box . . . . .	32
4.20 Privacy attachment . . . . .	32
4.21 Directional lock . . . . .	33
4.22 Posture belt . . . . .	33
4.22.1 Posture belt — Azalea Base . . . . .	34
4.22.2 Posture belt — Azalea general . . . . .	34
4.23 Attachment when using positioning belt . . . . .	34
4.24 Harness . . . . .	34
4.24.1 Harness attachment holder . . . . .	35
4.24.2 Azalea Minor — harness . . . . .	35
4.24.3 Harness attachment — Azalea Base . . . . .	35
<b>5 Setup</b> . . . . .	<b>36</b>
5.1 Safety information . . . . .	36
5.2 Delivery check . . . . .	36
5.3 Assembly general . . . . .	36
5.4 Unfold the backrest . . . . .	36
5.5 Placing the wires . . . . .	37
5.5.1 Wires with tension adjustable backrest . . . . .	37
5.5.2 Wires with backrest plate . . . . .	37
5.6 Folding the backrest . . . . .	37
5.7 Armrests . . . . .	38
5.8 Rear wheels . . . . .	38
5.9 Angle adjustable leg rests . . . . .	38
5.10 Fixed leg rests . . . . .	38
5.11 Mounting the table tray . . . . .	38
<b>6 Using the wheelchair</b> . . . . .	<b>39</b>
6.1 General warnings — Usage . . . . .	39
6.2 Brakes . . . . .	39
6.2.1 Using the User Operated Brake . . . . .	39
6.2.2 Using the One Arm Brake . . . . .	39
6.2.3 Using the Carer-operated Brake . . . . .	39
6.3 Using the Tilt / Recline Function . . . . .	39
6.4 Move to/from the wheelchair . . . . .	40
6.5 Driving and steering the wheelchair . . . . .	40
6.6 Negotiating steps and kerbs . . . . .	41
6.7 Going up and down stairs . . . . .	41
6.8 Negotiating Ramps and Slopes . . . . .	41
6.9 Stability and balance when seated . . . . .	42
<b>7 Transport</b> . . . . .	<b>43</b>
7.1 Lifting the wheelchair . . . . .	43
7.2 Disassembly for transport . . . . .	43
7.2.1 Backrest . . . . .	43
7.2.2 Backrest Minor . . . . .	43
7.2.3 Push handles/push bar . . . . .	43
7.2.4 Angle adjustable leg rests . . . . .	44
7.2.5 Fixed leg rests . . . . .	44
7.2.6 Armrest . . . . .	44
7.2.7 Rear wheels . . . . .	44
7.3 Transporting the Mobility Device without Occupant . . . . .	44
7.4 Transporting the Occupied Wheelchair in a Vehicle . . . . .	44
<b>8 Maintenance</b> . . . . .	<b>48</b>
8.1 Safety information . . . . .	48
8.2 Daily performance check . . . . .	48
8.3 Maintenance Schedule . . . . .	48
8.4 Maintenance electrical version . . . . .	49
8.5 Cleaning and Disinfection . . . . .	49
8.5.1 General Safety Information . . . . .	49
8.5.2 Cleaning Intervals . . . . .	49
8.5.3 Cleaning . . . . .	50
8.5.4 Washing . . . . .	50
8.5.5 Disinfection . . . . .	50

<b>9 After Use</b> . . . . .	<b>51</b>
9.1 Storage . . . . .	51
9.1.1 Storage Electrical Version . . . . .	51
9.2 Disposal . . . . .	51
9.2.1 Disposal Electrical Version . . . . .	51
9.3 Reconditioning . . . . .	51
<b>10 Troubleshooting</b> . . . . .	<b>52</b>
10.1 Safety information . . . . .	52
10.2 Identifying and repairing faults . . . . .	53
10.3 Identifying and Repairing Faults, Electrical Version . . . . .	53
<b>11 Technical Data</b> . . . . .	<b>54</b>
11.1 Dimensions and weights . . . . .	54
11.1.1 Maximum Weight of Removable Parts . . . . .	55
11.2 Tyres . . . . .	56
11.3 Materials . . . . .	56
11.4 Environmental conditions . . . . .	56
11.5 Environmental Conditions Electrical Version . . . . .	57
11.6 Electrical system — Models equipped with electric tilt and backrest . . . . .	57
11.7 Electromagnetic compliance (EMC) . . . . .	57
11.8 EMC - Manufacturer's declaration . . . . .	57



# 1 General

## 1.1 Introduction

This user manual contains important information about the handling of the product. To ensure safety when using the product, read the user manual carefully and follow the safety instructions.

Only use this product if you have read and understood this manual. Seek additional advice from a healthcare professional who is familiar with your medical condition and clarify any questions regarding the correct use and necessary adjustment with the healthcare professional.

Note that there may be sections in this document, which are not relevant to your product, since this document applies to all available models (on the date of printing). If not otherwise stated, each section in this document refers to all models of the product.

The models and configurations available in your country can be found in the country-specific sales documents.

Invacare reserves the right to alter product specifications without further notice.

Before reading this document, make sure you have the latest version. You find the latest version as a PDF on the Invacare website.

If you find that the font size in the printed document is difficult to read, you can download the PDF version from the website. The PDF can then be scaled on screen to a font size that is more comfortable for you.

For more information about the product, for example product safety notices and product recalls, contact your Invacare distributor. See addresses at the end of this document.

In case of a serious incident with the product, you should inform the manufacturer and the competent authority in your country.

## 1.2 Symbols in this Document

Symbols and signal words are used in this document and apply to hazards or unsafe practices which could result in personal injury or property damage. See the information below for definitions of the signal words.

This document is printed in greyscale. For your information, the safety messages have the following color coding according to ANSI Z535.6: Danger (Red), Warning (Orange), Caution (Yellow) and Notice (Blue).



### WARNING

Indicates a hazardous situation that could result in serious injury or death if it is not avoided.



### CAUTION

Indicates a hazardous situation that could result in minor or slight injury if it is not avoided.



### NOTICE

Indicates a hazardous situation that could result in damage to property if it is not avoided.



### Tips and Recommendations

Gives useful tips, recommendations and information for efficient, trouble-free use.

## Other Symbols

(Not applicable for all manuals)



UK Responsible Person

Indicates if a product is not manufactured in the UK.



Triman

Indicates recycling and sorting rules (only relevant for France).

## 1.3 Warranty Information

We provide a manufacturer's warranty for the product in accordance with our General Terms and Conditions of Business in the respective countries.

Warranty claims can only be made through the provider from whom the product was obtained.

## 1.4 Limitation of Liability

Invacare accepts no liability for damage arising from:

- Non-compliance with the user manual
- Incorrect use
- Natural wear and tear
- Incorrect assembly or set-up by the purchaser or a third party
- Technical modifications
- Unauthorised modifications and/or use of unsuitable spare parts

## 1.5 Compliance

Quality is fundamental to the company's operation, working within the disciplines of ISO 13485.

This product features the CE mark, in compliance with the Medical Device Regulation 2017/745 Class I.

This product features the UKCA mark, in compliance with Part II UK MDR 2002 (as amended) Class I.

We are continuously working towards ensuring that the company's impact on the environment, locally and globally, is reduced to a minimum.

We only use REACH compliant materials and components.

We comply with the current environmental legislations WEEE and RoHS.

### 1.5.1 Product-specific standards

The wheelchair has been tested in accordance with EN 12183. It includes testing for flammability.

For further information about local standards and regulations, contact your local Invacare representative. See addresses at the end of this document.

### 1.5.2 Compliance Azalea Base

The Rea Azalea Base has been crash tested together with the Invacare "Flo-shape" seat cushion and "MatrX PB" backrest. Other tests performed on the Azalea Base have also been carried out with the standard backrest and seat from the Azalea range mounted.

Invacare can in no way predict the effect of an accident with other configurations.

The Rea Azalea product range has been tested as complete products including Invacare backrests. However, when the Rea Azalea is ordered without backrest, it is not to be considered as a complete product. Only when the base and the backrest system have been combined, an evaluation of the safety can be done. The company that mounts the backrest system must perform a final risk assessment. Always check whether there is a compatibility agreement

between the manufacturer of the backrest and Invacare. Only then the product maintains its CE-marking.

## **1.6 Service Life**

The expected service life of this product is five years when used daily and in accordance with the safety instructions, maintenance intervals and correct use, stated in this manual. The effective service life can vary according to frequency and intensity of use.

## 2 Safety

### 2.1 Safety Information

This section contains important safety information for the protection of the wheelchair user and assistant and for safe, trouble-free use of the wheelchair.



**WARNING!**

**Risk of death or serious injury**

In case of fire or smoke, wheelchair occupants are at particular risk of death or serious injury, when they are not able to move away from the source of fire or smoke. Lighted matches, lighter and cigarettes can cause an open flame in the wheelchair surroundings or on clothes.

- Avoid using or storing the wheelchair near open flames or combustible products.
- Do not smoke while using the wheelchair.



**WARNING!**

**Risk of injury**

- The wheelchair must be prescribed by a qualified person with knowledge about seating and positioning related to using a wheelchair.



**WARNING!**

**Risk of overturning**

The longitudinal position of the rear wheels axis of the wheelchair compared to the backrest position can affect its stability.

- A forwards position makes the wheelchair less stable and increase the risk of tipping backwards, but improves its maneuverability by a better grip position of the handrim and a short turning radius.
- Conversely, by moving the rear wheels axis backwards, the wheelchair is more stable and tilts less easily, but its maneuverability is reduced.
- Depending on the user's abilities and its particular safety limits, the decrease in stability can be compensated for by installing an anti-tipper device.



**WARNING!**

**Risk of falling**

- Check that all parts are attached securely to the frame.
- Check that all wheels, knobs, screws and nuts are properly tightened.
- Check that all brakes and anti-tip devices are working correctly.
- Check that the castors and rear wheels are securely attached.
- Check that the wheelchair is equipped with anti-tip devices.
- Check the brakes are engaged before getting into or out of the chair.
- Never stand on the foot plates when getting into or out of the chair, because of the risk of tipping.
- Changing the thickness of seat and/or backrest cushions impacts the center of gravity of the chair, it increases the instability risk to the user if the set up is modified.
- Adjusting the seat angle can increase the risk of tipping over.
- The effectiveness of the brakes is reduced in wet and slippery conditions, as well as when on a slope.



**WARNING!**

**Risk of foot injury**

- There is a risk that you could injured your feet when opening doors with foot plate.
- Do not open doors with parts of the wheelchair.



**WARNING!**

**Risk of tipping/falling when using tension adjustable backrest**

- There is a risk of tipping and injury if the hook and loop straps on the backrest become too slack. Always check the tension. Also check that the rear wheels are adjusted to ensure that there is no risk of tipping.



**WARNING!**

**Risk of injury**

- Never lift the wheelchair by the detachable armrests, footrests, back brace or by the adjustable push handles. See section "usage" for more information.
- The handrims may become hot due to friction, which may cause injury to your hands.
- When mounting options, etc. be careful not to trap your fingers.
- There is always an increased risk of trapping parts of your body when tilting the wheelchair's back and seat.
- The width of the seat must not be reduced too much, as this would increase the pressure from the armrests to the side of the pelvis.

**CAUTION!****Risk of burning**

The wheelchair components can heat up when exposed to external sources of heat.

- Do not expose the wheelchair to strong sunlight before use.
- Before usage, check all components that come into contact with your skin for their temperature.

**WARNING!****Risk of pressure sores and contracted posture**

- Do not seat in a tilted position for a long time. The seating position needs to be varied to avoid pressure sores.

**CAUTION!****Risk of injury**

- In case of pressure sore or injured skin, protect your injure to avoid a direct contact with the fabrics of the device. Refer to a healthcare professional for medical advices.

**NOTICE!**

When combining this product with another product, the restrictions of both products apply for the combination. E.g. the maximum user weight of one product in the combination may be lower.

- Only use combinations allowed by Invacare. Contact your Invacare distributor for information.
- Before use, read the user manual of each product and check the restrictions. The full compliance with the information, instructions and recommendations contained in both user manuals is necessary for a safe use.

## 2.2 Azalea Max and Azalea with Laguna 2 backrest

### Azalea with Laguna 2 backrest

**WARNING!****Risk of tipping backwards**

When using the Laguna 2 backrest in the highest position combined with rear activated tilt and recline, the risk of tipping backwards increases.

- Make sure that the balance of the wheelchair is adjusted to the individual user.

## Azalea Max

**WARNING!****Risk of tipping forwards**

The seat extender is intended to be used with the chassis extender, otherwise the risk of tipping forwards increases.

- Always use the seat extender in combination with the chassis extender.
- Be careful when driving down a slope or down from a kerb.
- Make sure that the position of the user is stable.
- Make sure that the balance of the wheelchair is adjusted to the individual user.

## 2.3 Safety Information on Electromagnetic Interference

This mobility device was successfully tested in accordance with International standards as to its compliance with Electromagnetic Interference (EMI) regulations. However, electromagnetic fields, such as those generated by radio and television transmitters, and cellular phones can influence the functions of powered mobility devices. Also, the electronics used in our mobility devices can generate a low level of electromagnetic interference, which however will remain within the tolerance permitted by law. For these reasons we ask you to please observe the following precautions:

**WARNING!****Risk of malfunction due to electromagnetic interference**

- Do not switch on or operate portable transceivers or communication devices (such as radio transceivers or cellular phones) when the mobility device is switched on.
- Avoid getting near strong radio and television transmitters.
- In case the mobility device moves unintentionally, switch it off immediately and report it to the manufacturer.
- Adding electrical options and other components or modifying the mobility device in any way can make it susceptible to electromagnetic interference. Keep in mind that there is no sure way to determine the effect such modifications will have on the overall immunity of the electronic system.

## 2.4 Safety Devices

**WARNING!****Risk of accidents**

Safety devices that are incorrectly set or no longer working (brakes, anti-tipper) can cause accidents.

- Always check that the safety devices are working before you use the wheelchair and have them checked regularly by a qualified technician or your authorized provider.



**CAUTION!**

**Risk of Injury**

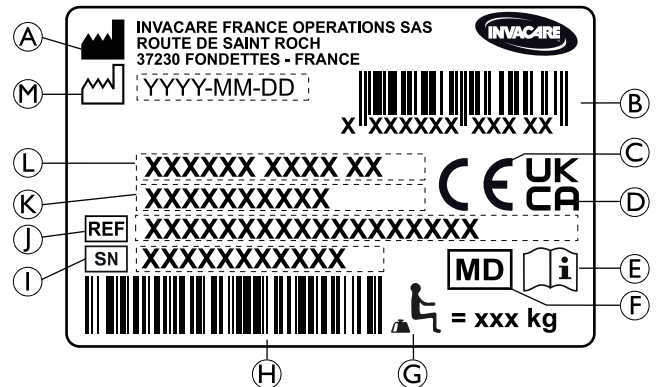
Non-original or wrong parts may affect the function and safety of the product.  
 – Only use original parts for the product in use.  
 – Due to regional differences, refer to your local Invacare catalogue or website for available options or contact your Invacare distributor. See addresses at the end of this document.

The functions of the safety devices are described in chapter 3 *Product Overview*, page 11.

**2.5 Labels and symbols on the product**

**Identification label**

The identification label is attached to the frame of your wheelchair and gives the following information:



- (A) Manufacturer’s address
- (B) EAN/HMI barcode
- (C) European conformity
- (D) United Kingdom conformity
- (E) Read user manual
- (F) Medical device
- (G) Maximum user weight
- (H) Serial number barcode
- (I) Serial number
- (J) Reference number
- (K) Seat width
- (L) Product description
- (M) Date of manufacture


	Read user manual
	Indicates a hazardous situation that could result in serious injury or death if it is not avoided.


**Posture belt information label**

	The posture belt has the good length, when there’s just sufficient space for a flat hand between body and belt.
--	---

## Snap hook symbols

Depending on the configuration, some wheelchairs may be used as a seat in a motor vehicle, some may not.

	<p>Tie-down positions where the restraint system straps must be placed in case of transporting the occupied wheelchair in a motor vehicle. This symbol is only attached to the wheelchair when it is ordered with the transportation kit option.</p>
---	--

	<p><b>WARNING Symbol</b> This wheelchair is not configured for passenger transport in a motor vehicle. This symbol is attached to the frame close to the identification label.</p>
---	--

## 2.6 Symbols on Electrical Version



Waste disposal and recycling information. See section "After Use", "Waste disposal"



CLASS II equipment



Product with a thermal fuse

**Type B  
Applied Part**

Applied Part complying with the specified requirements for protection against electrical shock according to IEC60601-1.



Safety Isolation transformer, general

## 3 Product Overview

### 3.1 Product Description

This is a passive wheelchair with seat and backrest tilting mechanism and swing-away, angle adjustable leg rests.

#### ! NOTICE!

The wheelchair is manufactured and configured individually to the specifications in the order. The specification must be performed by a healthcare professional according to the user's requirements and health condition.

- Consult a healthcare professional if you intend to adapt the wheelchair configuration.
- Any adaptation should be performed by a qualified technician.

### 3.2 Intended Use

The wheelchair is intended to provide mobility to persons limited to a sitting position with a high level of dependency, who are sitting in the wheelchair for long periods of time and propelling the wheelchair occasionally.

The wheelchair may be used indoors and outdoors on level ground and accessible terrain (depending on the chosen size of front castors).

#### Intended Users

The wheelchair is intended for persons, ages 12 and up (adolescents and adults). The weight of the wheelchair occupant should not exceed the maximum user weight as stated in the Technical Data section and on the identification label.

The intended user is the wheelchair occupant and/or an assistant. The user should physically and mentally be able to use the wheelchair safely (e.g. to propel, steer, brake).

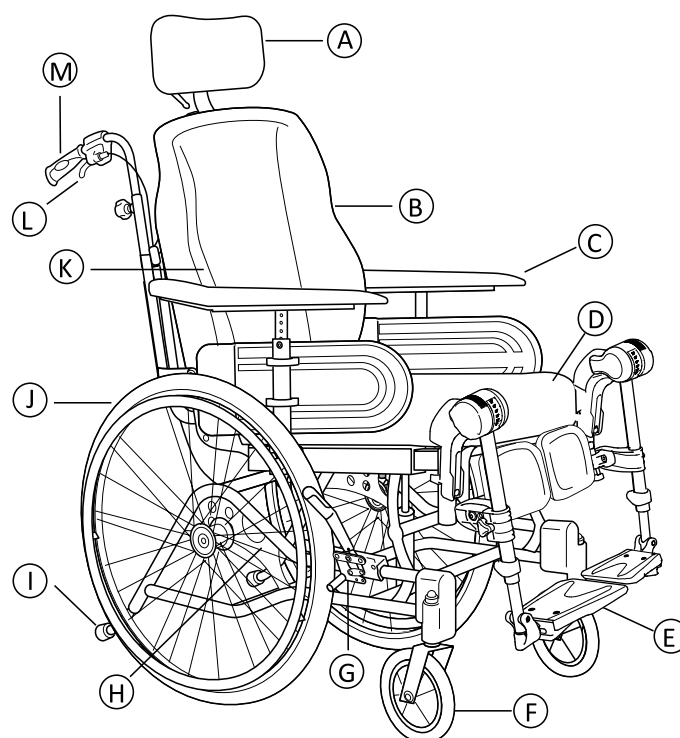
#### Indications

- Considerable to complete impairment of mobility due to structural and/or functional damage to the lower extremities.
- A steady upright sitting position is not possible due to the disability.


#### Contraindications


- A seat tilt is not suitable for users who are sensitive for increased blood pressure in the upper part of the body.

### 3.3 Main parts of the wheelchair



- Ⓐ Neckrest
- Ⓑ Backrest
- Ⓒ Armrest
- Ⓓ Seat
- Ⓔ Leg rests, swiveling
- Ⓕ Castor
- Ⓖ Brake
- Ⓗ Rear wheel plate
- Ⓘ Anti-tip device and step tube
- ⓵ Rear wheel with handrim
- Ⓚ Allen key for adjustments (on the back of the backrest cushion)
- Ⓛ Lever for backrest angle and seat tilt adjustment
- Ⓜ Push handle

 The equipment of your wheelchair may differ from the diagram as each wheelchair is manufactured individually to the specifications in the order.

 The wheelchair must always be equipped with seat cushion and armrest.

### 3.4 Parking brakes

The parking brakes are used to immobilize the wheelchair when it is stationary to prevent it from rolling away.



#### WARNING!

##### Risk of overturning if you brake sharply

If you engage the parking brakes while you are moving, the direction of movement can become uncontrollable and the wheelchair may stop suddenly, which can lead to a collision or to you falling out.

- Never engage the parking brakes while you are moving.



#### WARNING!

##### Risk due to wheelchair being out of control

- The parking brakes must be operated simultaneously.
- Do not engage the parking brakes to slow down the wheelchair.



#### WARNING!

##### Risk of overturning

The parking brakes will not operate correctly unless there is sufficient air in the tyres.

- Ensure the correct tyre pressure, see section “Tyres” for more information.



#### CAUTION!

##### Risk of pinching or crushing

There may be a very small gap between the rear wheel and the parking brake with the risk that you could trap your fingers.

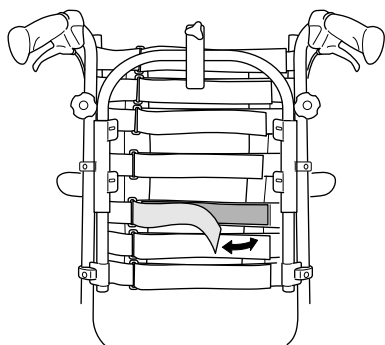
- Keep your fingers away from movable parts when using the brake, always keep your hand on the brake lever.



The distance between the brake shoe and the tyre can be adjusted. The adjustment must be carried out by a qualified technician.

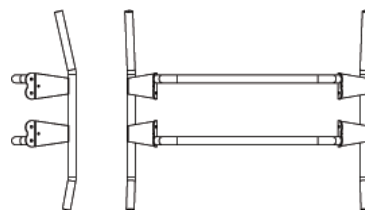
To operate the brake, refer to paragraph Using the wheelchair, section 6.2.1 *Using the User Operated Brake*, page 39.

### 3.5 Adjusting the tension adjustable backrest



1. Define where you would like to have a firmer support of the back of the user.
2. Have the user leaning forwards and tighten the straps in that region.
3. Make sure that all straps are fastened.
4. Apply the cover (start with the vertical middle) and make sure that the shape now created by the tension adjustable straps is preserved.

### 3.6 Backrest for Azalea Max



- Ⓐ Position A — The longer angle of the backrest is turned upwards.
- Ⓑ Position B — The longer angle of the backrest is turned downwards.

The backrest for the Azalea Max is designed with different angles. This allows for different adjustments according to how the backrest is mounted. Position Ⓐ (the part of the backrest with the longer angle turned upwards) gives the user more room for the shoulder area while position Ⓑ gives more room for the bottom.

### 3.7 Tilting Seat and Backrest

The whole seat unit including the backrest can be tilted.



#### WARNING!

##### Risk of fatal injury

Increased blood pressure against the upper part of the body.

- All combinations of settings (like opened knee angle + full tilt and recline) where the lower extremities are positioned higher than the heart, have to be evaluated from a medical point of view. The position can be contra-indicated for users who are sensitive for increased blood pressure in the upper part of the body.



#### WARNING!

##### Risk of choking or breathing problems

- The user might choke from eating or drinking when seated in a tilted or reclined position.
- The user must be seated in a raised position while eating or drinking.



**WARNING!**  
**Risk of tipping**

The risk of tipping backwards increases when the wheelchair is tilted or reclined  
The user may slide out of the wheelchair even in a tilted or reclined position

- Always use an anti-tipper device.
- Never leave the user at a flat or negative tilt angle without supervision.
- Use the posture belt.

**WARNING!**  
**Risk of injury**

The user must keep their head in an up-right position when the backrest is reclined, and/or the seat is tilted.

- The backrest must be equipped with a head support or a neck support.

**CAUTION!**  
**Risk of trapping fingers**

- Be careful when adjusting the angle of the backrest so that the assistant or user do not trap fingers between the backrest and the armrest.

**CAUTION!**  
**Pressure sores difficulties**

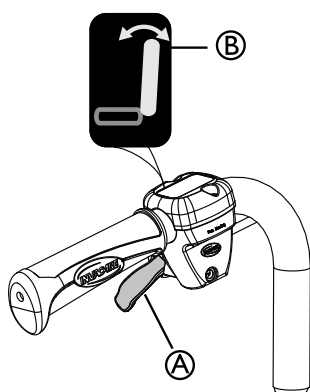
Tilting and reclining position combination are uncomfortable for certain users.

- Be careful when adjusting the tilt or recline angle, always start tilting the seat and reclining the backrest second.

To operate the tilt and recline adjustment, refer to paragraph Using the wheelchair, section 6.3 Using the Tilt / Recline Function, page 39.

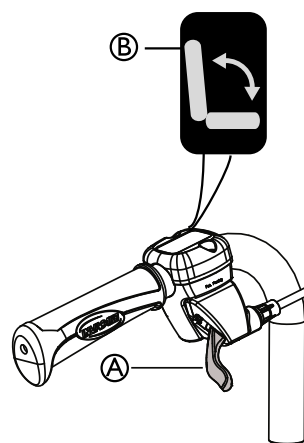
### 3.7.1 Manual tilt and backrest angle adjustment

#### Adjusting the backrest angle



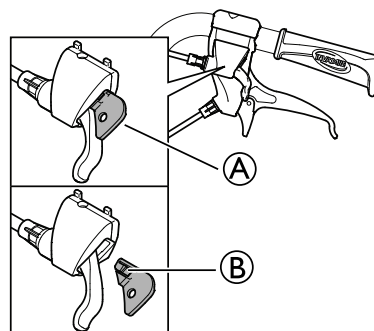
1. Use the **yellow** lever **A** marked with the **yellow symbol B** on the **left** hand side to angle the backrest.
2. Press upwards while you angle the backrest to the desired position.
3. Release the lever.

#### Carer-operated tilt adjustment




1. Use the **green** lever **A** with the **green symbol B** on the **right** hand side to tilt the seat unit (seat and backrest).
2. Press upwards while you tilt the seat unit to the desired position.
3. Release the lever.

#### Locking the tilt and/or backrest angle adjustment



The locking device **A** allows you to set the tilting of the seat unit and/or the angling of the backrest to a fixed position.

1. Tilt and/or angle the seat and backrest to the desired position.
2. Insert the locking device **A**.

 The position is now set and cannot be changed.

To remove the locking device, press on the plastic peg **B** with a small object and pull outwards.

### 3.7.2 Electric tilt and backrest angle adjustment

**WARNING!**  
**Risk of injury**

If the wheelchair is used by users that are confused, restless, or with spasms:

- either lock the hand control functions
- or make sure that the hand control is out of reach.

**WARNING!**  
**Risk of injury**

When tilting the wheelchair, parts of the body can be squeezed between the armrest base and the rear wheel.

- Make sure that the distance between the armrest base and the rear wheel is always 25 mm or more.



**CAUTION!**

**Risk of damage to the product**


- Make sure that the hand control is not unintentionally activated.
- Do not let children play with the hand control.
- If anything unusual is observed, such as unusual sounds or uneven running during operation, shut down the system.




**Risk of malfunction**

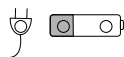





- Work on the hand control or other electric parts (motors etc.) should only be carried out by a qualified technician.

When activating the On/Off button, a short “beep” confirms that the hand control is activated. The hand control is active in 30 seconds after the last action, before it is automatically deactivated.

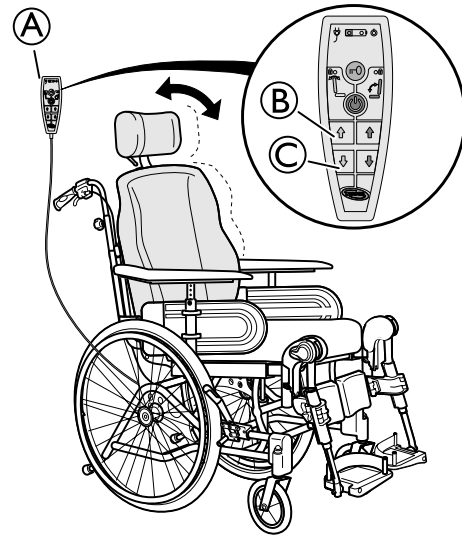
 The hand control can also be manually deactivated by pressing the On/Off button.

 The force needed to press the buttons on the hand control is 5 Nm (finger power).

**Symbols on the hand control**

-  Battery and charging indicator
-  Locking function
-  On/Off
-  Backrest recline (yellow color on arrow and backrest)
-  Seat tilt (green color on arrow, backrest and seat)
-  Up/Down (yellow color for the backrest recline, green color for the seat tilt)

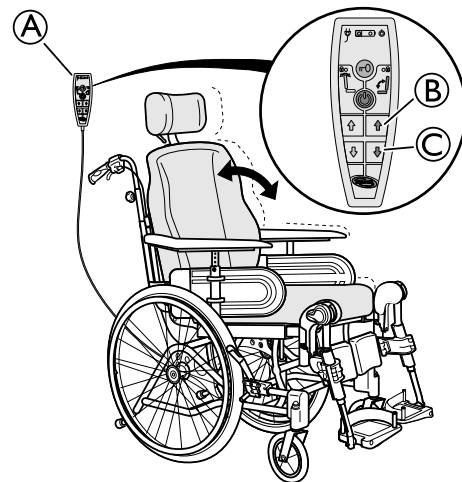
**Backrest angle adjustment**



Adjust the angle of the backrest by using the yellow buttons on the left side of the hand control (A).

1. Press button (B) to adjust the angle of the backrest forwards (up).
2. Press button (C) to adjust the angle backwards (down).

**Tilt adjustment seat**



Tilt the seat unit (seat and backrest) by using the green buttons on the left side of the hand control (A).

1. Press button (B) to adjust the angle of the seat unit forwards (up).
2. Press button (C) to adjust the angle of the seat unit backwards (down).



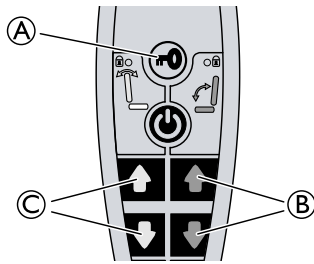
**CAUTION!**

**Risk of trapping fingers**

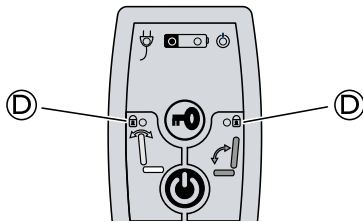
Could result in minor injuries.

- The risk of trapping fingers, etc., is greater in electric adjustments than in user-operated adjustments.
- Bear in mind, for example, that a child may get hold of the control box, press the controls and get trapped, or trap the user.
- The hand control should only be used by authorised personnel.

## Locking of recline and tilt function



1. Press on the locking key (A).
2. Keep pressing on the locking key.
3. Simultaneously press on the chosen function (B) for the seat tilt (green) or (C) for the backrest angle (yellow).
4. Repeat the procedure to unlock the function.



**i** When a function is locked, the yellow indication lamp (D) shines.

## Charging the battery



### **WARNING!** Risk of electrical shock

– The user must not sit in the wheelchair while the battery is charging.



### **Damage to the battery**

– The battery must be charged 24 hours before using the system the first time.  
– Unplug the mains cable after charging and before using the wheelchair.

**i** The battery charger has different charging cables in order to adapt to different local electrical standards.

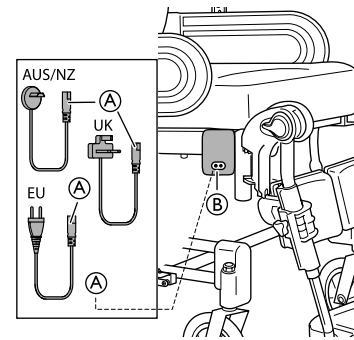
**i** When the battery level is low (20 %), the system beeps when it is in use.

## Connect Charger Cable



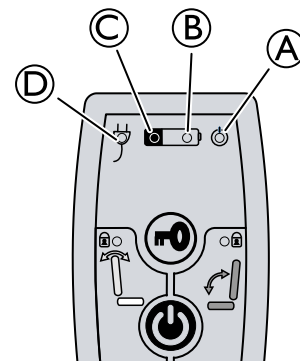
### **CAUTION!** Damage to the cables

– Do not sit in the wheelchair while charging the battery.



1. Connect the charger cable supplied with the chair into a wall socket.
2. Insert the charger cable (A) into the connector (B) which is on the side of the wheelchair.
3. Unplug the cable when the battery is fully charged.

## Hand control — Battery indications



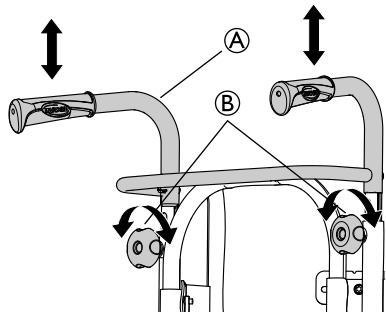
- (A) Green light — ON — Hand control is activated
- (B)
  - Green light — ON — Battery level is above 20%
  - Green light blinking — ON — Battery is charging (fixed light when the battery is fully loaded)
- (C)
  - Yellow light — ON — Battery level is low, below 20%
- (D) Green light — ON — Battery cable is connected (lights up about 5 seconds after connecting the cable)

## 3.8 Push handles/Push bars

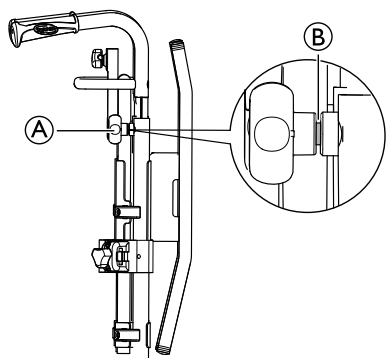
The following instructions and warnings are valid for all push handles and the push bar:

### 3.8.1 Height adjustment push handles/push bars

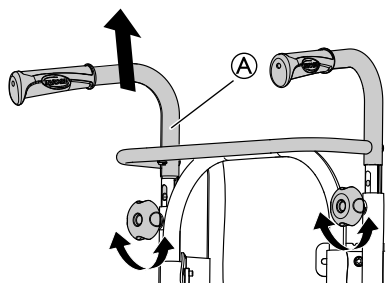
#### Adjusting the height of the connected push handles



1. Loosen the hand wheels (B).
2. The height of the push handles braced / push bar (A) can be adjusted simply by pulling the handles upwards or pushing them downwards.
3. Adjust to the height that you require.
4. Re-tighten the hand wheels.



**i** Make sure that the hand wheel for the push handle (A) fits the hole in the tubes. If the threaded tap of the hand wheel (B) is more than app. 2,5 mm visible, the position is wrong. Lower or raise the push handle to get the hand wheel in the correct position.



**i** The push bar/push handles braced (A) must not be pulled up so that it protrudes more than 19 cm over the top edge of the attachment.

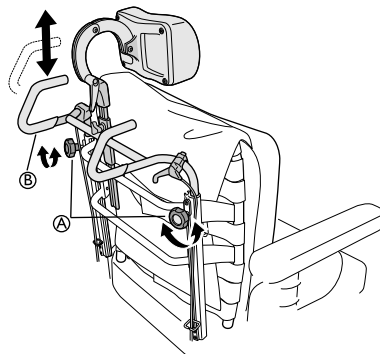


#### CAUTION!

##### Risk of trapping fingers

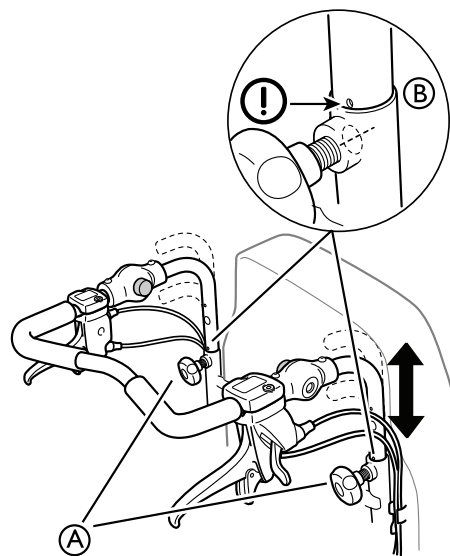
- Do not trap your fingers between the push handles braced and the neckrest attachment. (If you have a tension adjustable backrest).

#### Push bar Azalea Max



1. Loosen the handwheels (A).
2. The height of the push handles braced / push bar (B) can be adjusted simply by pulling the handles upwards or pushing them downwards.
3. Adjust to the height that you require.
4. Re-tighten the handwheels.

#### Adjusting the height of the push bar



1. Loosen the hand wheels (A).
2. Adjust the handles to the required height position. There are two fixed positions available.
3. Re-tighten the hand wheels.

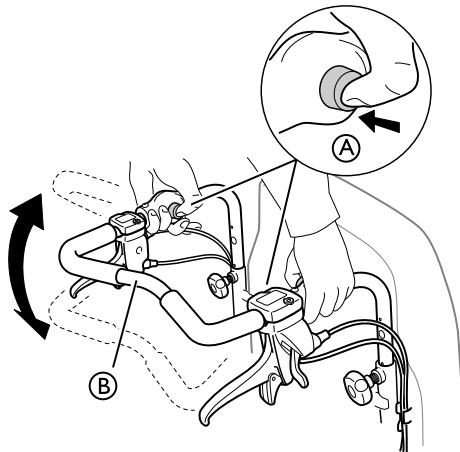


#### WARNING!

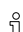
##### Risk of injury

- The push bar can loosen from the attachments
- Make sure that the marking (B) on the push bar tube is aligned with the backrest tube extremity.
- Check that the handwheels can be tightened properly, the screw of the handwheel should barely be visible. If the push bar is in the wrong position, you will not be able to properly tighten the handwheel.

### 3.8.2 Adjusting the angle of the push bar



1. Press the buttons **A**.
2. Adjust the push bar **B** to the preferred angle.
3. Release the buttons **A**.

 Move the push bar slightly in order for the buttons to lock into position.

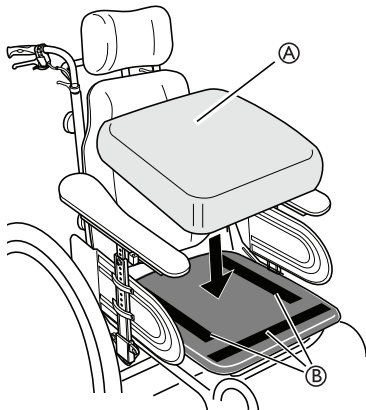


#### WARNING!

##### Risk of imbalance

– Do not hang anything on the push bar, this could cause imbalance.

## 3.9 Seat Adjustments



The seat depth of the chair can easily be adjusted to provide good support. The width between the leg rests and armrests and the height of the armrests can also be adjusted.

Depends of the cushion model, some seat cushion **A** can be secured with hook and loop straps **B** on the seat plate.

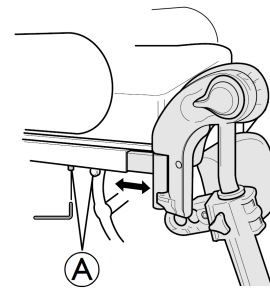


#### WARNING!

##### Risk of seat cushion sliding

– Make sure that the hook and loop straps are pressed firmly together and tightened.

### 3.9.1 Adjusting the seat depth

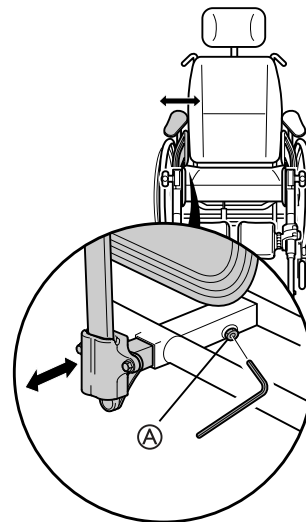


1. Remove the seat cushion.
2. Loosen the screws **A** with an 5 mm Allen key.
3. Move the front edge of the seat forwards or backwards.
4. Re-tighten the screws **A** (5–6 Nm).
5. Put the seat cushion back.



The distance between the back of the knee/calf and the cushion should be as small as possible, but without contact.

### 3.9.2 Width adjustment seat



1. Loosen the screw **A** with an Allen key.



Tools: 5 mm Allen Key

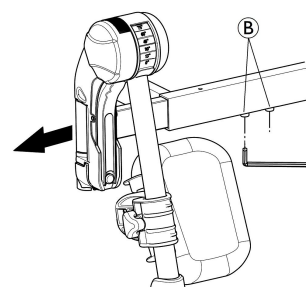
2. Adjust the armrests to the desired width.
3. Re-tighten the screw **A**.




#### Risk of poor adjustment

– There must not be any pressure on the armrest / legrest while adjusting the screw.

### Width adjustment leg rest



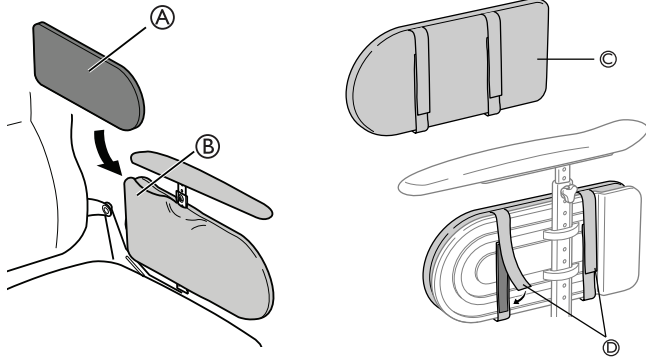
1. Loosen the screws ⑥.


 Tools: 5 mm Allen Key

2. Adjust the leg rests to the desired width.
3. Re-tighten the screws ⑥ (5–6 Nm).

### Side rest pad

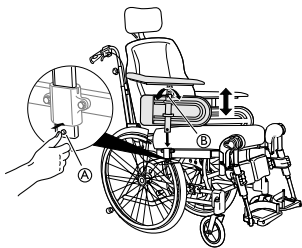
There are two different side rest pads available, one side rest cushion which is placed in the armrest pocket and one side rest pad which is placed directly on the side rest.




 The seat width can be decreased with 2x20 mm either by placing side rest cushions ① inside the armrest pocket ② or by using the side rest pad ③ + ④.

## 3.10 Armrest adjustments


### 3.10.1 Armrest height



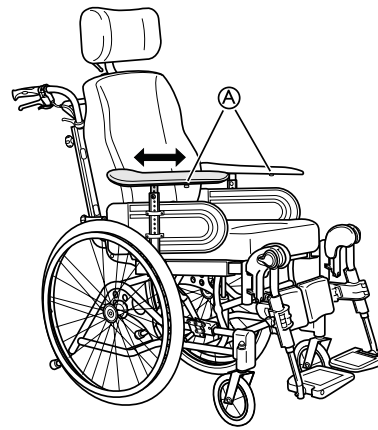
1. Adjust the height of the armrests by turning the screw or the handwheel ⑥ depending on which type of armrest you have chosen.
2. Set the required height.
3. Re-tighten the screw / handwheel.

 **CAUTION!**  
**Risk of trapping fingers**


– Be careful not to trap your fingers between the arm pad and the side support when you adjust the armrest height.

 The armrests have an auto-lock to prevent involuntary movement or detachment. Press the button ① on the armrest to release before removing or adjusting the armrest.

### 3.10.2 Armrest depth




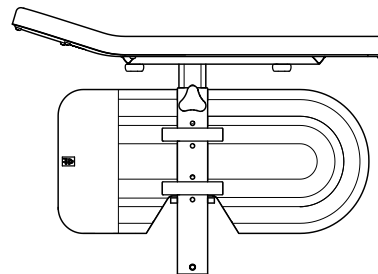
1. Loosen the screw or the handwheel ①, depending on which type of armrest you have chosen
2. Set the pad in the required position.
3. Re-tighten the screw / handwheel.


 **Risk of poor adjustment**  
– There must not be any pressure on the armrest while adjusting the screw.

### 3.10.3 Armrest low

For Azalea and Azalea Max, we are also offering a lower armrest.


 An experienced therapist must evaluate for which users this low armrest is suitable, especially if used in the lowest position.




 **CAUTION!**  
**Risk of pinching**  
– Be careful when mounting the armrest.

For adjustments see section: 3.10.1 Armrest height, page 18 and 3.10.2 Armrest depth, page 18

## 3.11 Leg rests

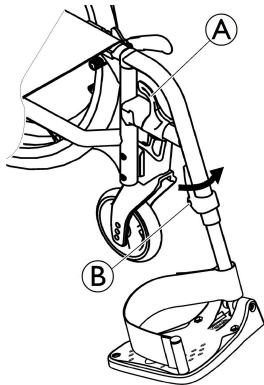
 **WARNING!**  
**Risk of injury**  
– Never lift the wheelchair by the footrest supports or leg rests.

 **CAUTION!**  
**Risk of pinching or crushing fingers**  
There are swing mechanisms where you could trap your fingers.  
– Be careful when using, swinging, disassembling or adjusting these mechanisms.



**NOTICE!**

Risk of damage to the leg rest mechanism  
– Do not place anything heavy, or let children sit on the leg rest.

**3.11.1 Swing away leg rests****Swinging outwards**

1. Activate the release lever **A** and swing the leg rests to the outside.

**Swinging forwards**

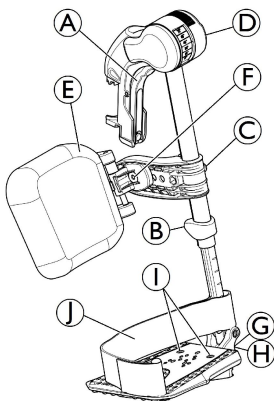
1. Swing the leg rest forwards until it engages.

**Unhinging**

1. Activate the release lever **A**.
2. Pull the leg rest upwards.

**Hinging**

1. Hinge the leg rest on the front of the frame and swing it forwards until it engages.

**3.11.2 Swing Away, Angle Adjustable Leg Rests****Swinging outwards**

1. Activate the release lever **A** and swing the leg rests outwards.

**Swinging forwards**

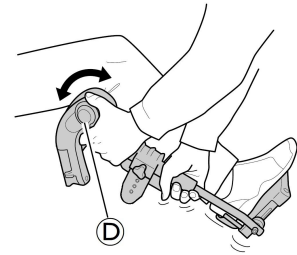
1. Swing the leg rest forwards until it engages.

**Unhinging**

1. Activate the release lever **A**, swing the leg rest outwards.
2. Pull the leg rest upwards.

**Hinging**

1. Push the leg rest down into its receiver and swing it forwards until it engages.

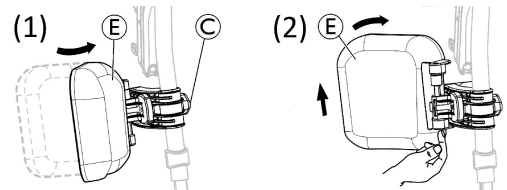
**Adjusting angle**

There are six preset positions available for angle adjustment.

1. Rotate the knob **D** with one hand while supporting the leg rest with your other hand.
2. When a suitable angle is obtained, let go off the knob and the leg rest will lock into the desired position.

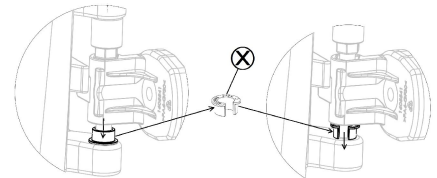
**Swinging calf pad and adjustments**

- Swinging calf pad forwards (1) or backwards (2):



1. Swing calf pad **E** forwards (1).
2. Pull up the calf pad **E** and swing it backwards (2).

- Locking the calf pad swing backwards:

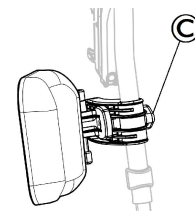


1. Extract the grey spacer open ring **X** out of its location.
2. Reverse the grey spacer open ring.
3. Insert the grey spacer open ring **X** as shown on the right side of the diagram.



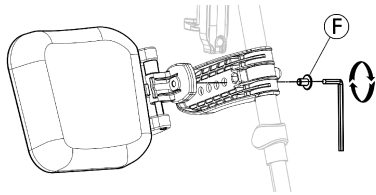
Reverse this procedure to unlocking the calf pad swing backwards.

- Adjusting height of calf pad:



1. Loosen knob **C**.
2. Adjust to the desired height and firmly tighten the knob.

- Adjusting depth of calf pad



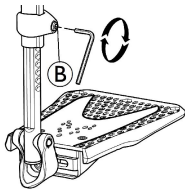
The calf pad has four depth adjustment options:

1. Remove the fixing screw **F** with 5 mm Allen key.
2. Adjust to one of the four positions and firmly tighten the fixing screw **F** (3–5 Nm).

### Adjusting foot plate

There are three different fold-up foot plates available.

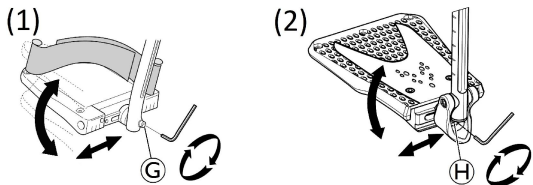
- Standard height-adjustable foot plates:



1. Loosen the fixing screw **B** with 5 mm Allen key.
2. Adjust the height and let the screw catch one of the recesses on the foot plate tube.
3. Tighten the fixing screw **B** (3–5 Nm) in the desired position.

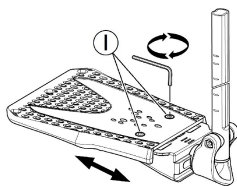
**i** The distance between the lowest part of the footrest and the ground must be at least 50 mm.

- Depth-, Angle- (1) and Width- (2) adjustable foot plates:



1. Loosen the fixing screw **G** or **H** with 5 mm Allen key.
2. Adjust the depth and angle positions and firmly tighten the fixing screw **G** (12 Nm) or **H** (8–9 Nm) in the desired position.

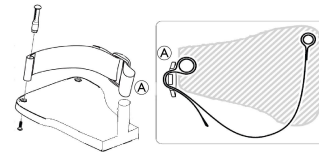
- Width-adjustable foot plates (2):



1. Loosen the two fixing screws **I** with 5 mm Allen key.
2. Adjust the width position and firmly tighten the two fixing screws **I** (3–5 Nm) in the desired position.

Invacare recommends that foot plate adjustment is carried out by a qualified technician.

**i** To ensure a good position of the feet, two types of straps can be provided; the heel strap (serial) and the calf strap (optional) attached to the leg rest support. Both adjustable by hook and loop fasteners or sliding buckle.



The plastic buckle must be fitted facing outwards and as close as possible to the tube of the footplate **A**.

### 3.12 Calf pads — Azalea Max

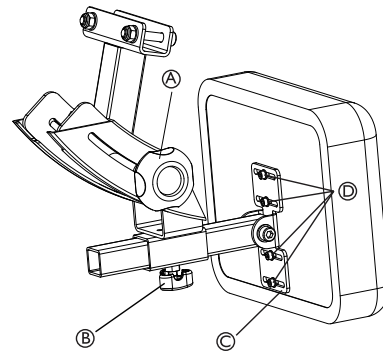


#### CAUTION!

#### Risk of pinching

When adjusting the calf support there is a risk of pinching your fingers.

- Make sure that no pressure is on the calf support when the handwheels are loosened.



The calf pads for the Azalea Max are adjustable in angle, depth and sideways.

#### Angle adjustment:

1. Loosen the handwheel **A**.
2. Adjust the calf pad to the required angle.
3. Re-tighten the handwheel.

#### Depth adjustment:

1. Loosen the handwheel **B**.
2. Adjust the calf pad to the required depth.



The adjustment should be done in accordance with the adjustment of the legrest.

3. Re-tighten the handwheel.

#### Sideways adjustment:

1. Loosen the screws **D** on the sideways adjustment plate **C**.
2. Adjust the calf pad sideways.
3. Re-tighten the screws properly.



## 3.13 Other foot plates and footrest

### 3.13.1 Adjusting the one-piece footrest

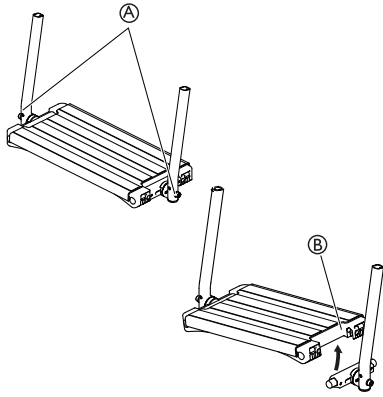


#### WARNING!

#### Risk of trapping fingers

The fingers might get trapped between the foot plate and the foot plate attachment.

- Be careful not to trap your fingers between the foot plate and the foot plate attachment when folding it down.



1. Adjust the angle and the depth by loosening the two screws **A** at the foot plate attachment.

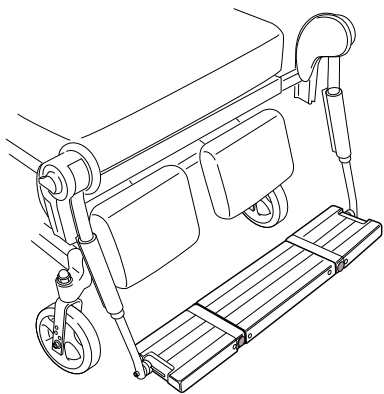
Tool: 5 mm allen key

2. Adjust the foot plate to the correct position.
3. Re-tighten the screws with 10 Nm.

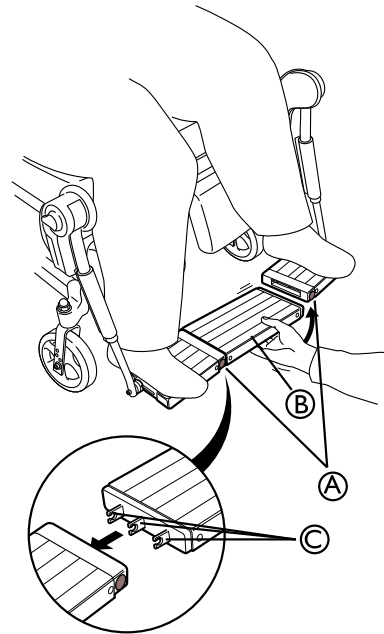
The foot plate can be flipped up. Lift the foot plate **B** upwards as shown on the picture above.

Do not place anything on the foot plate when the screws are loose.

### 3.13.2 Footboard converter — Azalea Max

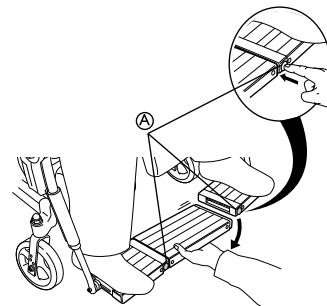


The footboard converter is a sturdy construction that is easily disassembled to allow for transfers into and out of the wheelchair.



1. The middle part of the footboard converter **B** is installed by inserting the fasteners **C** into one of the foot plates and then on the other side.
2. Make sure that the part is turned the right way. If not, it will fall out.

The release buttons **A** should pop out when the middle part is installed correctly.



1. To remove the middle part, press the release buttons **A**. First on one side and then on the other.
2. Make sure that the feet are placed as far out as possible.



#### CAUTION!

#### Risk of pinching

When adjusting the footboard there is a risk of pinching your fingers.

- Make sure that no pressure is on footboard when it is being adjusted.

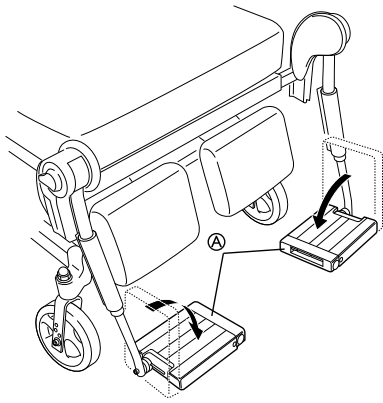


#### CAUTION!

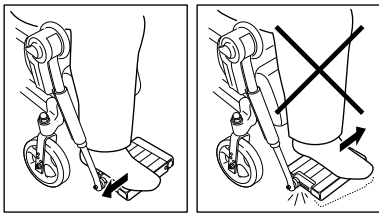
#### Risk of breakage

The footboard is not designed for lifting the chair.

- Do not take hold on the footboard if you need to lift the chair.



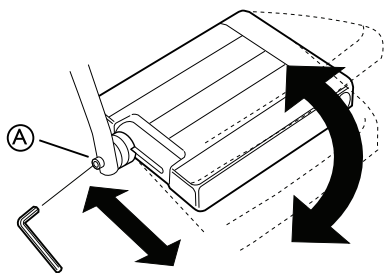
**i** The foot plates can be flipped up to further facilitate transfers.



**! WARNING!**  
**Risk of footboard breakage**  
 The pressure on the foot plates might cause the footboard to break and result in injuries.  
 – Make sure that the feet are placed as far out as possible before the middle part is installed or removed.

### Angle adjustment footboard converter

**i** In order to adjust the depth and angle of the footboard converter, remove the middle section of the footboard. See 3.13.2 Footboard converter — Azalea Max, page 21



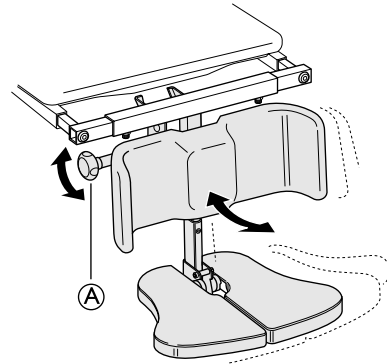
1. Adjust the angle and the depth by loosening the screw **A** at the foot plate attachment.

**i** Tools: 5 mm Allen key

2. Adjust the foot plate to the correct position.
3. Re-tighten the screw.

**i** Do not place anything on the foot plate when the screw is loose.

### 3.14 Adjusting the angle of the central legrest



1. Loosen the adjustment knob **A**.
2. Hold the foot plate with the other hand.
3. Adjust to the appropriate leg angle.
4. Re-tighten the knob.

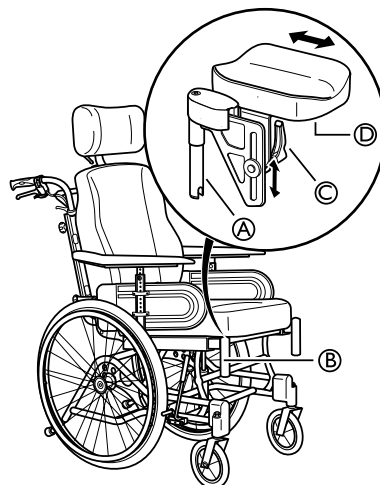
**! WARNING!**  
**Risk of trapping fingers**  
 When adjusting the foot plate, the fingers might get trapped.  
 – Loosen the adjustment knob with one hand and hold the foot plate with the other hand to avoid trapping yours or anyone else's fingers.

**! CAUTION!**  
**Risk of damage**  
 The legrest might cause damage to the floor.  
 – When the seat is tilted forwards on a chair with a long legrest length and low seat height, there is a risk of the legrest hitting the floor and causing damage.

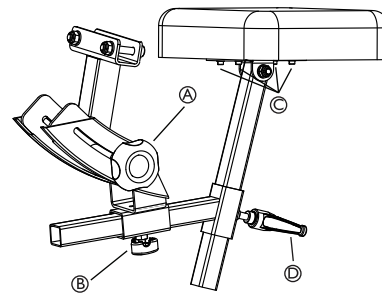
### 3.15 Amputee legrest

**! WARNING!**  
**Risk of tipping**  
 There is an increased risk of tipping for amputated users.  
 – Use anti-tippers and/or re-balance the wheelchair when amputee legrests are used.

#### 3.15.1 Amputee legrest — general



1. Attach the legrests by pushing the tube at the upper part of the legrests **A** down into the tubes on the wheelchair **B**.
2. Lock the legrests by turning them inwards.
3. Slacken lever **C**, on the cushion's mounting, in order to adjust the cushion's angle and height.
4. Slacken screws **D** under the cushion, in order to adjust the cushion depth.



### 3.15.2 Amputee legrest — Azalea Max



#### **WARNING!**

##### **Risk of falling**


Increased risk of tipping forward.  
– The user must never sit on the amputee pad.



#### **CAUTION!**

##### **Risk of pinching**

– There must not be any pressure on the amputee support when adjusting the settings.

 The amputee legrest for Azalea Max are adjustable in angle, depth, sideways and in height.

1. Loosen the handwheel **A** and adjust to the required angle.
2. Re-tighten the handwheel.
3. Loosen the handwheel **B** and adjust the calf pad to the required depth.
4. Re-tighten the handwheel.
5. Loosen the screws **C** and adjust the calf pad sideways.



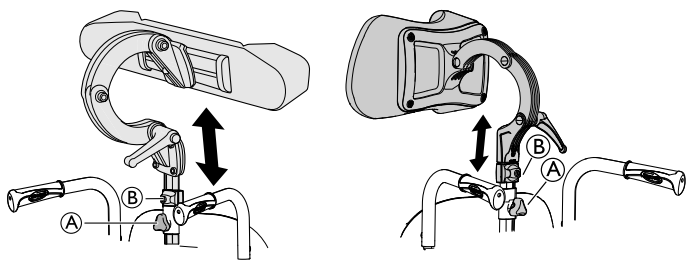
Do not forget to tighten the screws and the handles properly.

6. Loosen the handle **D** and adjust the amputee legrest in height.
7. Re-tighten the handle.

## 4 Options

### 4.1 Headrest/Neckrest

#### 4.1.1 Height adjustment

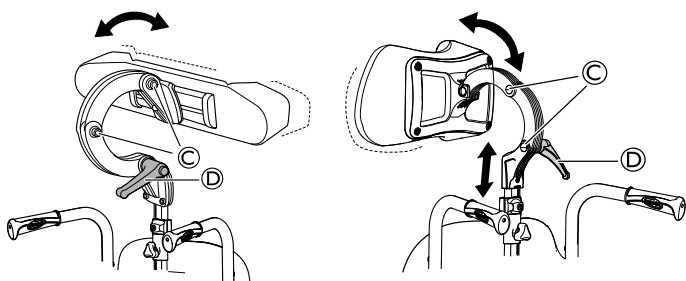


**i** The height and the removal are operated by the handwheel. The bar is equipped with an adjustable stop block.

1. Loosen the screw in the stop block (B).
2. Loosen the handwheel (A).
3. Adjust the head rest to the desired position.
4. Re-tighten the handwheel (A).
5. Slide the stop block (B) down to the top of the headrest attachment.
6. Re-tighten the screw.

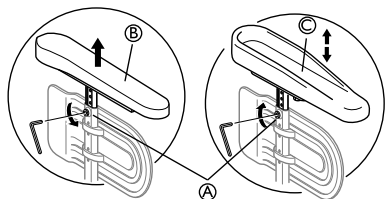
**i** It is now possible to remove the headrest and reinsert it in the desired position without further adjustments.

#### 4.1.2 Depth / angle adjustment



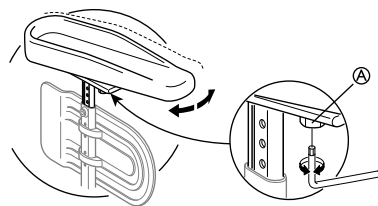
1. Loosen the handle (D).
2. Loosen the screws (C).
3. Adjust the depth and angle of the headrest.
4. Re-tighten the handle and the screws.

### 4.2 Hemiplegic armrest

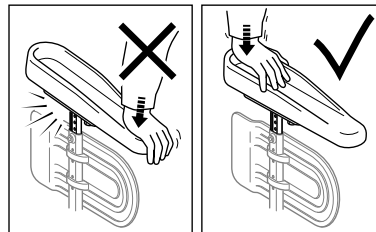


1. Loosen the screw (A).
2. Remove the original armrest (B).

3. Mount the hemiplegic armrest (C) in the armrest pole.
4. Re-tighten the screw (A).



5. The hemiplegic armrest can be adjusted in angle. The resistance can be increased/decreased by adjusting the screw (A).



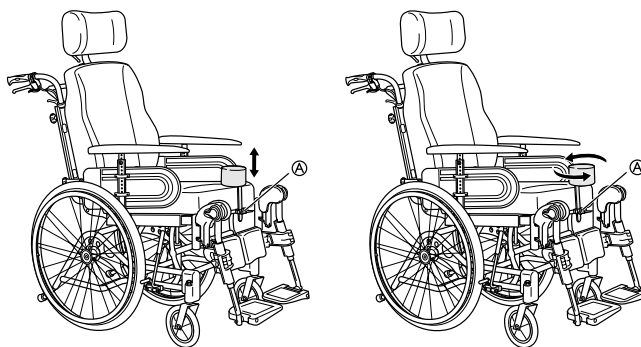
#### WARNING!

##### Risk of damage

Damage on the armrest

- Do not put pressure on the front of the armrest, as this could cause damage on the armrest attachment.

### 4.3 Abduction cushion



1. The height adjustment and removal is operated by the handwheel (A).
2. The depth is adjusted in a forward or backward position. Loosen handwheel (A) and turn.

### 4.4 Trunk support

#### 4.4.1 Trunk support with fixed arm

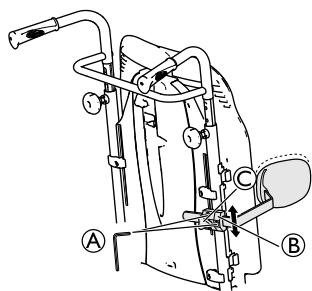
The trunk supports can be adjusted in height, depth and sideways.



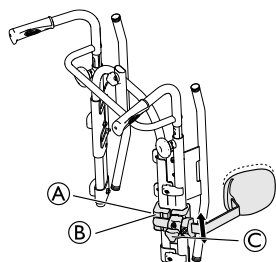
#### WARNING!

##### Risk of trapping


- Be careful not to trap your arm between trunk support and armrest when changing the angle of the backrest.



Backrest plate



Adjustable backrest

 Tools: 5 mm Allen key

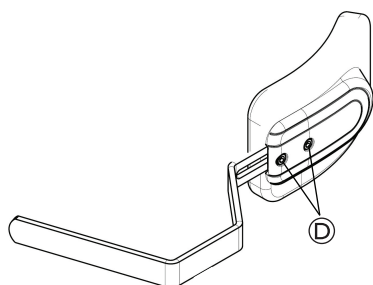
### Height adjustment


1. You adjust the height by first loosening the screw / screws **A**.
2. Move the attachment **B** upwards or downwards.
3. Re-tighten the screw / screws.

### Sideways adjustment

1. Adjust the trunk supports sideways by loosening the knob **C**.
2. Move the support sideways to the required position.
3. Re-tighten the knob **C**.

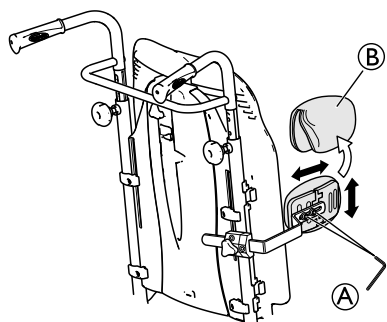
### Depth adjustment — fixed cushion



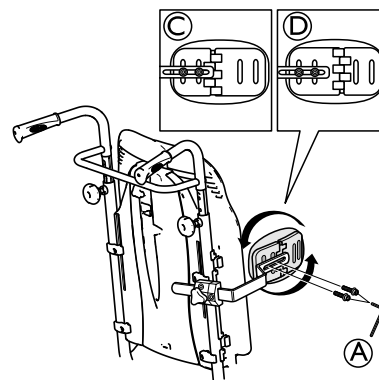
 Tools: 5 mm Allen key

1. To adjust the depth of the trunk supports, loosen the screws **D** with an Allen key.
2. Move the trunk support forwards or backwards.
3. Re-tighten the screws.
4. Remove the trunk support by loosening knob **C** and pull the trunk support sideways and outwards.

### Depth adjustment — multi adjustable cushion

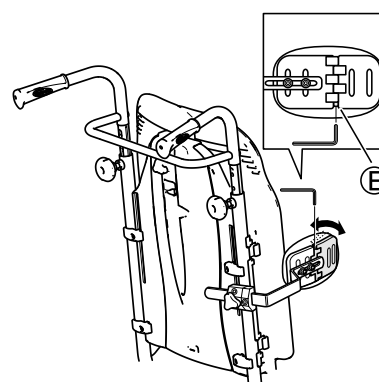


1. Remove the trunk support cover **B**.
2. Loosen the screws **A** and adjust to the required height / depth.
3. Re-tighten the screws.



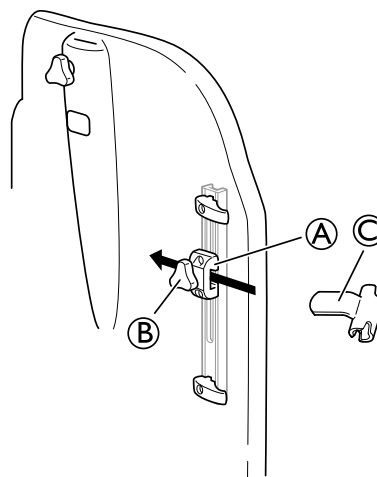
- A** Screws height / depth adjustment
- C** Attachment position for small side support / large trunk support
- D** Attachment position for large side support / small trunk support

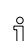
### Angle adjustment — multi adjustable cushion



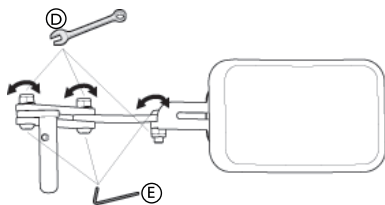
1. Loosen the screw **E**.
2. Adjust the cushion to the required angle.
3. Re-tighten the screw.

### 4.4.2 Trunk support "swing-away"



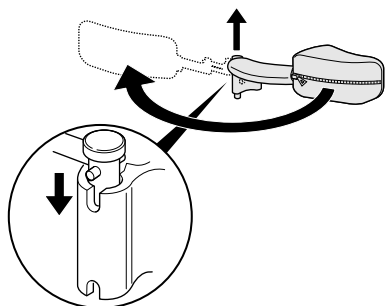
 The holder for the "swing-away" trunk support is placed in the attachment **A** on the backrest

1. Loosen the knob **B**.
2. Place the trunk support holder **C**.
3. Re-tighten the knob.



**i** Tools: 5 mm Allen key / 13 mm fixed spanner.

1. The angle can be adjusted by loosening the screws **E** and bolts **D** on the trunk support arm.
2. Hold with the Allen key and tighten with the fixed spanner.
3. Remember to re-tighten the screws and bolts when the required position is achieved.



**i** The "swing-away" trunk support can be turned sideways in order to be out of the way when the user is moving in to or out of the wheelchair.

**!** **CAUTION!**  
**Risk of pinching**  
 – The cover on the trunk support arm must always be on when the chair is in use.

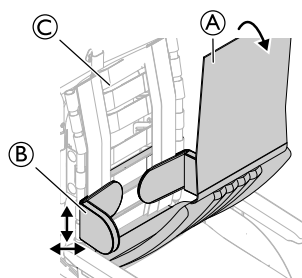
## 4.5 Lateral positioning pads (for adjustable backrest cover only)

**!** **WARNING!**  
**Risk of trapping**  
 – Be careful not to trap your trunk between the two lateral positioning pads during front or lateral transfers; when moving in the wheelchair.

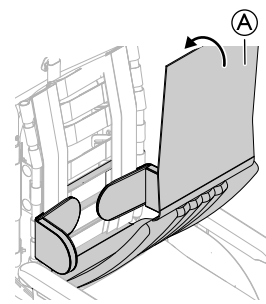
**!** **CAUTION!**  
**Risk of uncomfortable posture**  
 Insufficient space between the lateral positioning pads can be uncomfortable for certain users.  
 – This adjustment must be performed by a qualified technician upon agreement by a prescribing physician.  
 – Consult with your authorized provider.

**i** The lateral positioning pads can be adjusted in height and sideways.

### 4.5.1 Using lateral positioning pads

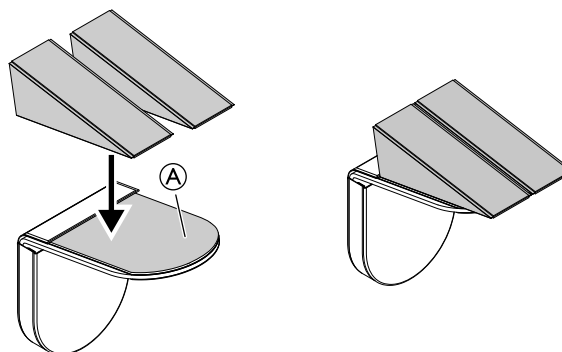


1. Remove the backrest cover **A**.
2. Adjust the lateral positioning pads **B** in height and sideways to the required position with the hook surface of the backrest cover **C**.
3. Ensure that the two hook surfaces (pads and back cover) are set correctly.



4. Put the backrest cover **A** back in place.

### 4.5.2 Using wedges with lateral positioning pad



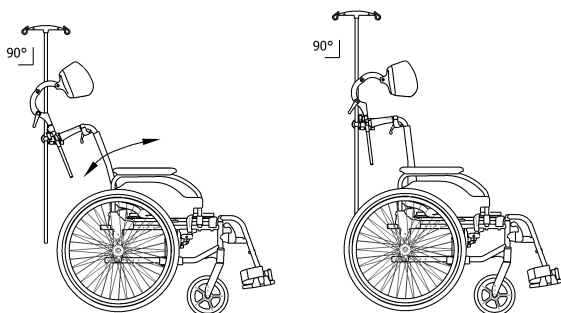
1. Attach the wedges on the self-gripping pad **A**.
2. Assemble the lateral positioning pads on the backrest.

**i** See section: "Using lateral positioning pads".

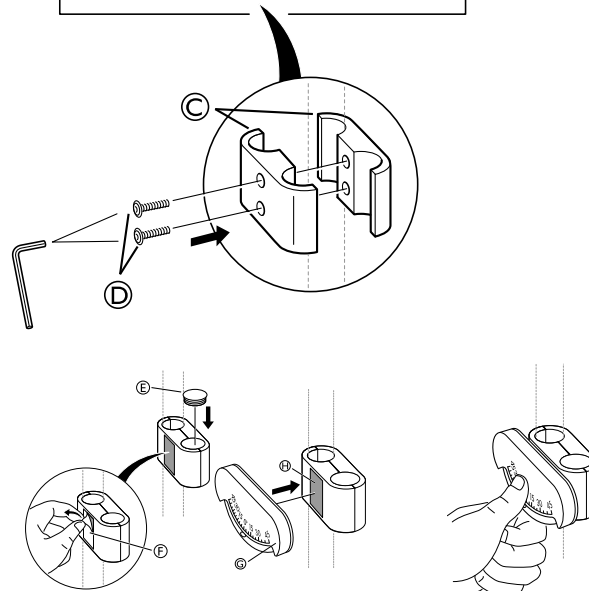
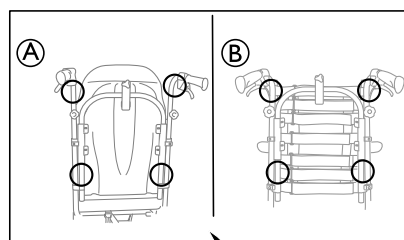
## 4.6 Adjusting the drip stand

**!** **WARNING!**  
**Risk of tipping / injury**  
 – Max. load on the drip stand: 4 kg (2 x 2 kg)

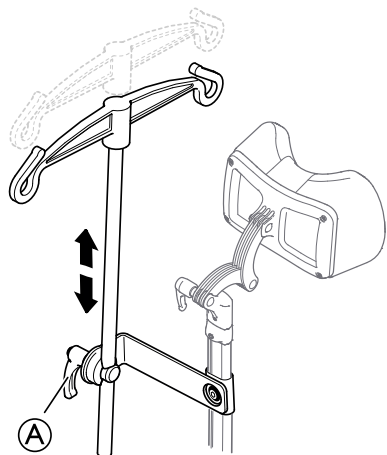
**i** The rod of the drip stand must always be placed in a vertical position, i.e. in a 90 degree angle to the ground, no matter the position of the backrest or the wheelchair.



### 4.7.1 Tilt scale backrest

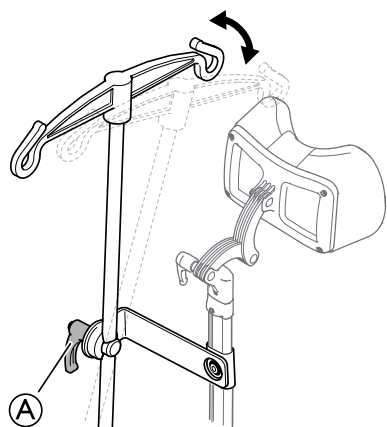


### Height



1. Loosen the lever **A**.
2. Adjust the drip stand to the desired height.
3. Firmly tighten the lever **A**.

### Angle



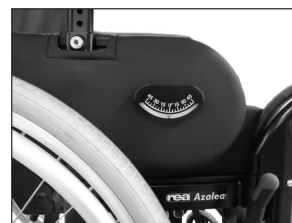
1. Loosen the lever **A**.
2. Adjust to the desired angle.
3. Firmly tighten the lever **A**.

## 4.7 Tilt scale

The tilt scale makes it visible how many degrees the seat unit and/or the backrest is tilted.

1. Place the tilt scale for the backrest angle **C** on the push bar/push handle or on the backrest tubes according to picture **A** or **B** above.
2. Attach the clamps **C** to the push bar/push handles or the backrest tubes and tighten the screws **D**.
3. Place the end plug **E** in the empty hole and remove the protection cover **F** from the pre-glued pad **H**.
4. Attach the tilt scale **G** to the pre-glued pad **H** on the attachment clamps **C**.

### 4.7.2 Tilt scale seat



The tilt scale for the seat angle, is placed on the armrest according to the pictures above.



## 4.8 Table tray



### WARNING!

#### Risk of falling / injury

- The table must never be used as a replacement for the posture belt.



### WARNING!

#### Risk of tipping / injury

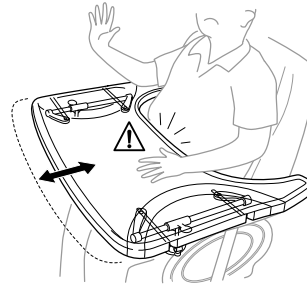
- Max load on the table: 8 kg



### CAUTION!

#### Risk of discomfort / minor bruises

- Make sure that the elbows of the user are placed on the table when pushing the wheelchair. If the elbows protrudes from the table while pushing the wheelchair, there is a risk of discomfort or minor bruises.



### CAUTION!

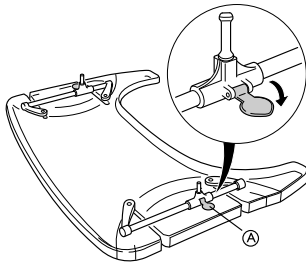
#### Risk of discomfort

- When adjusting the depth of the table, make sure not to squeeze the stomach of the user.

The table tray can be adjusted both in depth and width, the following sections will show the different possibilities.

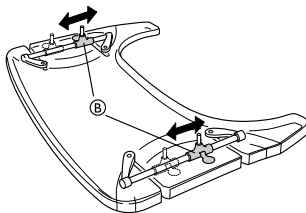
### 4.8.1 Adjusting the depth of the table tray

1.



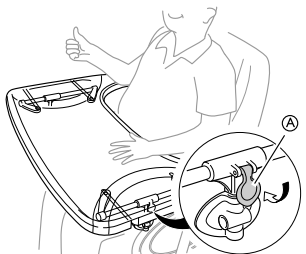
Open the safety lock for the depth adjustment (A).

2.



Adjust the table holders (B) forwards or backwards to adjust to the required depth.

3.



Close the table lock (A) again in order to lock the depth position.

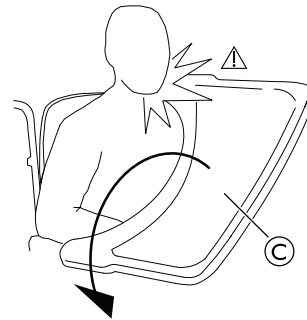


### CAUTION!

#### Risk of discomfort / insecurity

- The table is not in a fixed position.
- Make sure to engage the table lock again after adjusting the depth of the table.

### 4.8.2 Swing away table



### WARNING!

#### Risk of injury / bruises

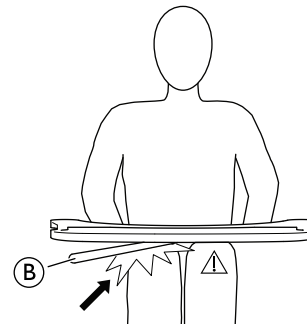
- Take care not to hit the user while swinging the table.



### WARNING!

#### Risk of table tipping forward

- Do not adjust the depth of the table too far forward, due to the risk of tipping the table when adding weight on it.



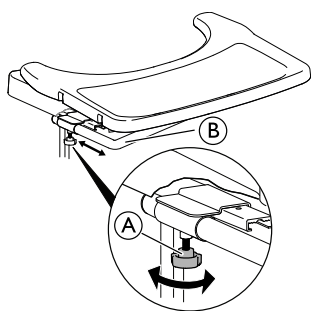
### CAUTION!

#### Risk of discomfort / minor bruises

- Make sure that the user has enough space for the legs. The table tube must not rest on the legs of the user.

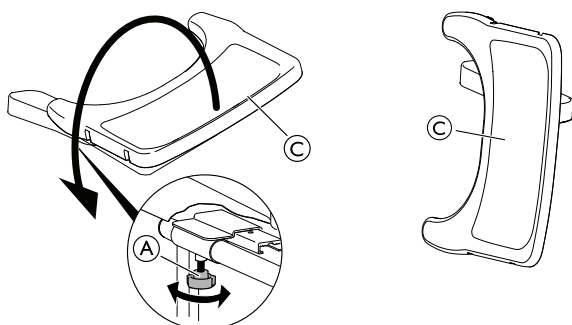


## Depth adjustment



1. Loosen the handwheel (A).
2. Adjust the table in depth with the table tube (B).
3. Re-tighten the handwheel (A).

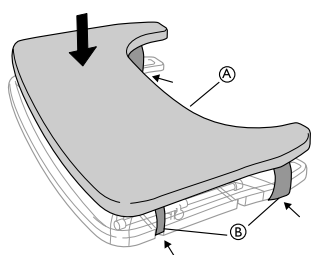
## Swing away function



1. Loosen the handwheel (A).
2. Swing the table tray (C) sideways.
3. Re-tighten the handwheel (A).

## 4.9 Add a table tray cushion

A cushion for the table tray can be placed on the table tray in order to have a softer surface for the arms and elbows.

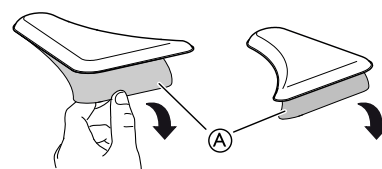


Place the cushion for the table tray (A) on the table and place the attachment straps (B) around the table.

## 4.10 Add elbow cushions

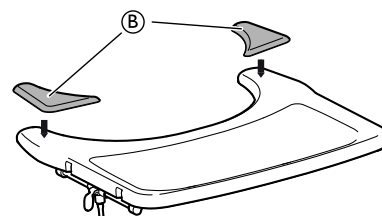
The table tray can be equipped with cushions for the elbows, in order to have a softer surface for the elbows.

1.



Remove the protection paper (A) from the elbow pads.

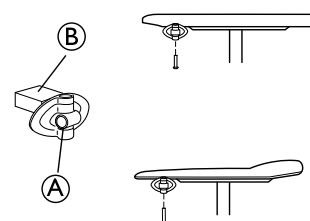
2.



Place the elbow pads (B) on the table.

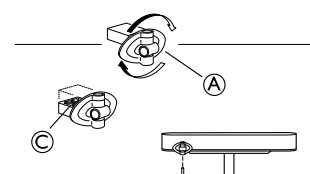
## 4.11 Mounting the attachment for table tray

1.



Mount the table attachment (A) with the attachment part facing outwards. The plain surface (B) of the attachment should be placed upwards when using the table on the thin armrests.

2.



To fit the table attachment (A) to the wide armrest, turn the attachment around, the patterned surface (C) should now be facing upwards.

## 4.12 Half tray



**WARNING!**  
**Risk of falling / injury**

– The half tray must never be used as a replacement for the posture belt.



**WARNING!**  
**Risk of tipping / injury**

– Max load on the tip of the widest part of the half tray: 1.5 kg



**CAUTION!**  
**Risk of discomfort / minor bruises**

– Make sure that the elbow of the user is placed on the half tray when propelling the wheelchair. If the elbow protrudes from the wheelchair while propelling the wheelchair, there is a risk of discomfort or minor bruises.



**CAUTION!**

**Risk of pinching fingers**

There is a mechanism below the half tray where you could trap your fingers.

– Be careful when adjusting the tray or when using the swing-away function.



**CAUTION!**

**Risk of pinching or minor cuts**

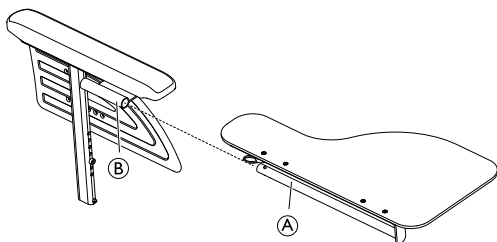
– Do not transfer from the wheelchair when the half tray is in horizontal position.



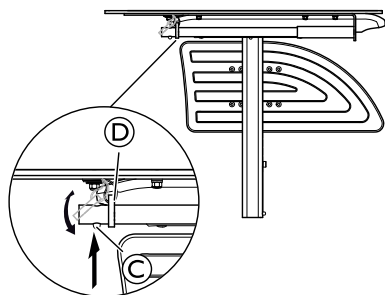
The half tray can be adjusted in width and swung away.

**4.12.1 Mounting the half tray**

**Mounting the half tray**

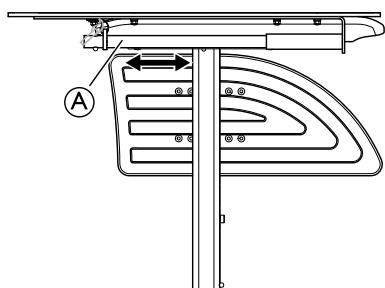


1. Insert the tube of the half tray (A) into the attachment (B) under the arm pad.



2. Push on the push pin (C) and insert the ring (D) on the tube (A).
3. Release the push pin (C).

**4.12.2 Adjusting the half tray**



1. Slide the half tray (A) forwards or backwards to adjust to the required depth.



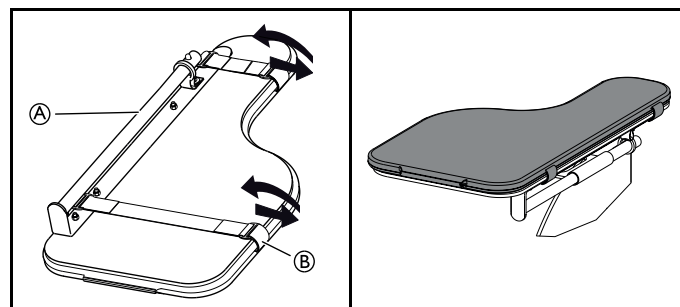
**CAUTION!**

**Risk of discomfort**

– When adjusting the depth of the half tray, make sure not to squeeze the stomach of the user.

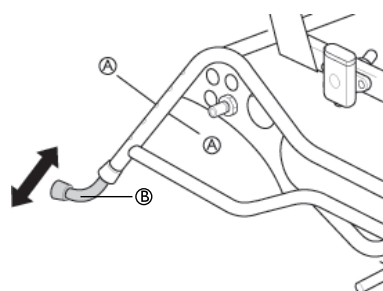
**4.12.3 Add a half tray cushion**

A cushion for the half tray can be placed on the half tray in order to have a softer surface for the arms and elbows.



1. Place the cushion for the half tray (A) on the tray.
2. Place the attachment straps (B) into the plastic buckle and around the half tray (A).

**4.13 Anti-tip device**

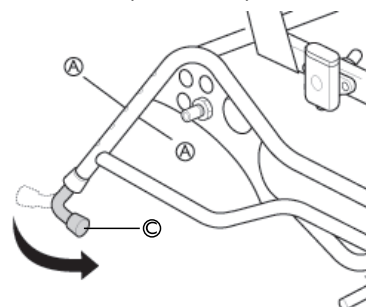


1. For active position (B), press the spring-loaded buttons (A).
2. Raise or lower the anti-tip device.
3. Ensure that the spring-loaded buttons (A) pop out into place properly in their new position.

Invacare recommends that anti-tipper height adjustment is carried out by a qualified technician.



The anti-tipper has five possible height positions. Adjust the height from floor at the bottom of anti-tipper between 15 mm (Minimum) to 40 mm (Maximum).



4. For transport position (C), fold the anti-tip device under the wheelchair by pressing the spring-loaded buttons (A).
5. Turn the anti-tip device to the required position.
6. Ensure that the buttons (A) pop out again into position.



Never forget to activate the anti-tip devices.



The anti-tip device also acts as a step tube. It is height-adjustable and easy to adjust.

## 4.14 Azalea Base — seat attachment

There are four options how to attach a seat to the Azalea base:

- Directly on the seat brackets.
- On a seat plate.
- On a seat plate with a wedge.
- With the H-bracket.

Contact your Invacare dealer for more information.

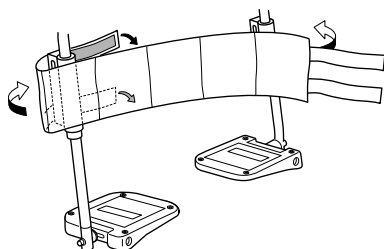


### CAUTION! Risk of damage

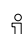
The one-piece moulded seat attachments might break.


- The back should not be reclined when the Azalea Base is equipped with one-piece moulded seat attachments.

## 4.15 Calf strap padded

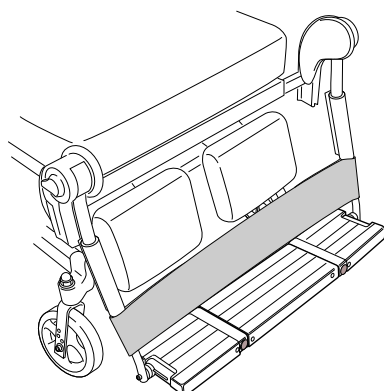


1. Mount the calf strap on the legrest.
2. Wrap the end parts around the legrest tube.
3. Fixate the self-gripping parts.

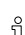
 Both legrests must be in the same angle in order to be able to use the calf strap in the correct way.

 The calf strap must not slacken to much in order to give the proper support for the user.

## 4.16 Heel strap — Azalea Max



1. Mount the heel strap above the foot plates.
2. Wrap the end parts around the legrest tube.
3. Fixate the self-gripping parts.

 The heel strap must not slacken to much in order to give the proper support for the user

## 4.17 Brake extended — Azalea Max

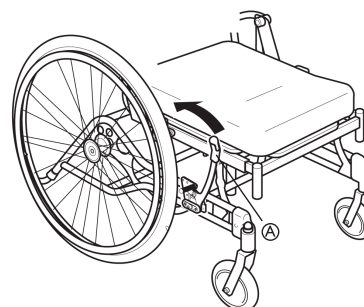


### CAUTION! Risk of disengaging the brake

- The extended brake handle is angled outwards. Be careful not to disengage the brake by mistake.

For Azalea Max, there is a possibility to order a brake with an extended brake handle.

For adjustments, see: 6.2.1 *Using the User Operated Brake*, page 39



Ⓐ Brake lever

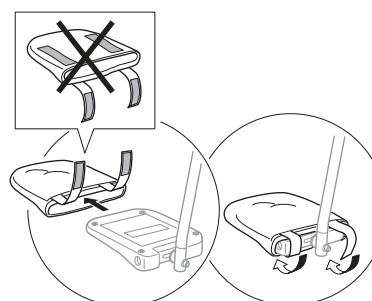
## 4.18 Cover for footrest / foot plate



### CAUTION! Risk of imbalance

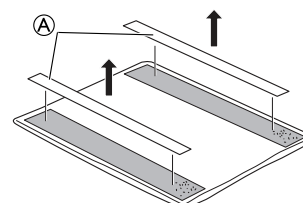
- The cover must be removed before the foot plate is fixed in a raised position.

### 4.18.1 Attaching a cover to the single foot plate

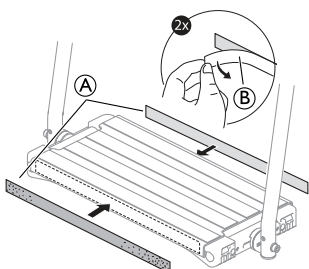


1. Thread the foot plate cover onto the foot plate.
2. Secure the hook strips to fasten the cover on the foot plate.

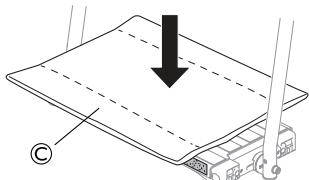
### 4.18.2 Attaching a cover to the one-piece footrest



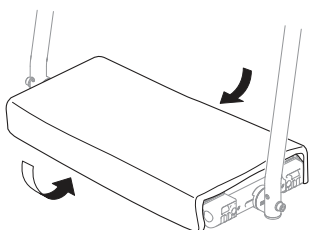
1. Detach the pre-glued hook tapes (A) from the cover.



2. Remove the safety paper (B) from the pre-glued hook tapes (A).
3. Attach the pre-glued parts of the hook tapes (A) on the front- and rear side of the footrest.



4. Place the cover (C) on the one piece footrest.



5. Secure the cover by attaching the loop parts on the cover to the pre-glued hook tapes on the front- and rear side of the footrest.

#### 4.19 Foot box



**WARNING!**  
**Risk of injury**

– When using the foot box, the settings and adjustments of the option and the wheelchair, must always be performed by an authorized person with knowledge of seating and positioning.



**WARNING!**  
**Risk of injury**

The user might fall when getting in and out of the chair.  
– When using the foot box, it is recommended to use a lifter.



**WARNING!**  
**Risk of injury and/or damage to the product**

– Hold the foot box to secure it before releasing the levers, otherwise it will fall down.

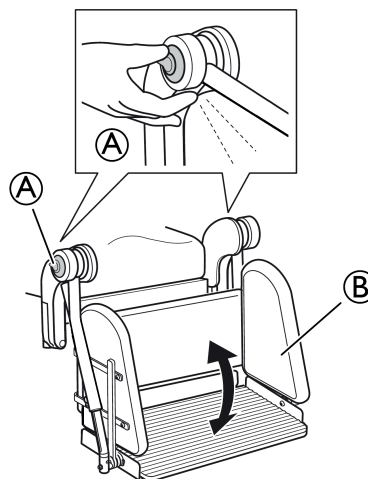


The foot box should not be removed from the wheelchair during use, unless it needs to be replaced.



The adjustment of the foot box must be carried out by two persons.

#### Position adjustment

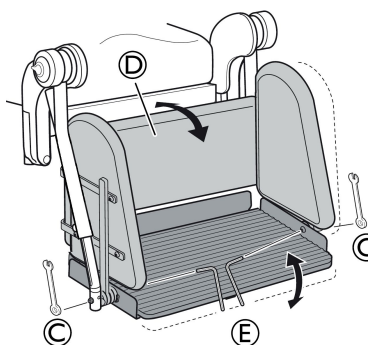


1. Press the release handles (A).
2. Adjust the position of the foot box (B).
3. Let go of the release handles (A).



Make sure that the foot box is locked in position.

#### Angle adjustment



1. Loosen the nuts (C).
2. Adjust the foot box (D) to the desired angle.
3. Re-tighten the nuts (C).



Fixate the screw with the Allen key (E) and loosen the nut with the spanner (C).



10 mm fixed spanner + 4 mm Allen key

#### 4.20 Privacy attachment



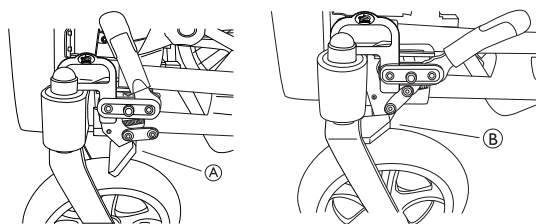
Attach the privacy attachment on the self-gripping surfaces, both on the seat and on the backrest (see picture).

## 4.21 Directional lock



### WARNING! Risk of injury

The directional lock is not a brake.  
– The directional lock must be used in combination with the standard brake.

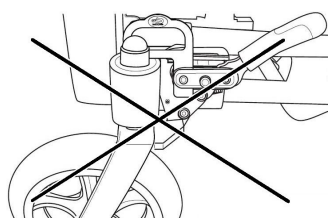


- Ⓐ Directional lock disengaged  
Ⓑ Directional lock engaged



### WARNING! Risk of damage

The directional lock mechanism might break if the front fork is facing forward.  
– Do not engage the directional lock if the front fork is facing forward.



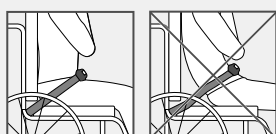
## 4.22 Posture belt

The wheelchair can be equipped with a posture belt. It prevents the user from sliding downward in the wheelchair or from falling out of the wheelchair. The posture belt is not a positioning device.

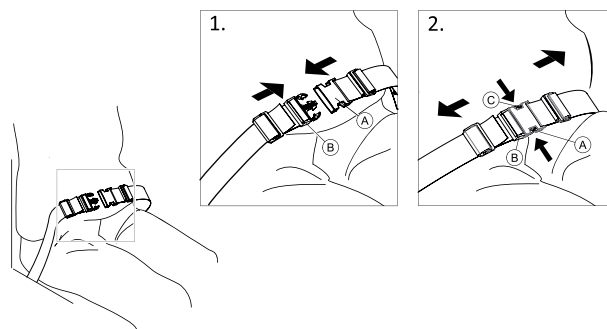


### WARNING! Risk of serious injury / strangulation

A loose belt can cause the user to slip down and create a risk of strangulation.  
– The posture belt should be mounted by a qualified technician and fitted by a healthcare professional.  
– Always make sure that the posture belt is tightly fitted across the lower pelvis.  
– Each time the posture belt is used, check if it fits properly. Changing the seat and/or backrest angle, the cushion and even your clothes influence the fit of the belt.



## Closing and opening the posture belt



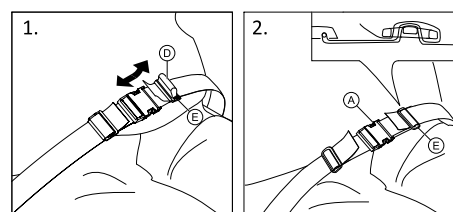
Ensure that you are sitting fully back in the seat and that the pelvis is as upright and symmetrical as possible.

1. To close, push the catch Ⓐ into the buckle clasp Ⓑ.
2. To open, push the PRESS button Ⓒ and pull the catch Ⓐ out of the buckle clasp Ⓑ.

## Adjusting the length



The posture belt has good length, when there's just sufficient space for a flat hand between body and belt.

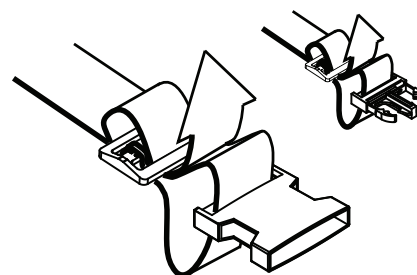


1. Shorten or extend the loop Ⓓ as required.
2. Thread loop Ⓓ through catch Ⓐ and plastic buckle Ⓔ until the loop is flat.
3. Ensure loop Ⓓ is perfectly fitted in plastic buckle Ⓔ.
4. Secure adjustment with the strap extremity fitted in the buckle Ⓔ.

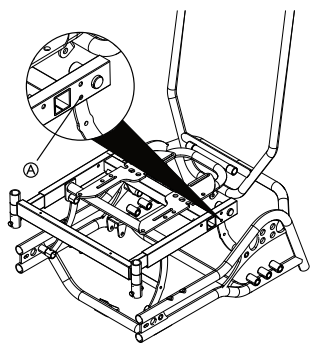


### WARNING! Risk of sliding and strangulation / Risk of falling

– Thread the belt loop through both plastic buckles to avoid the belt from loosening.  
– Do the adjustments on both sides equally, so that the buckle clasp remains in a central position.  
– Ensure strap extremities are fitted in the buckle Ⓔ.  
– Make sure that the belts do not get caught in the spokes of a rear wheel.

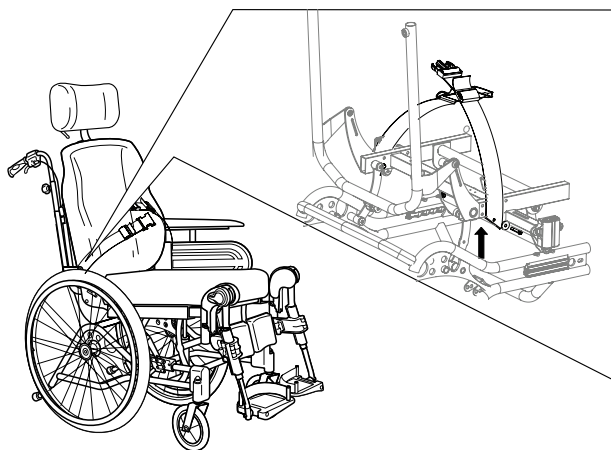


### 4.22.1 Posture belt — Azalea Base



Fasten the posture belt on the frame with a screw and nut in the location **A**.

### 4.22.2 Posture belt — Azalea general



The posture belt **B** is mounted on the backrest brackets **A**.

**i** The posture belt for the Azalea Max is considerably longer than the other versions and they are not interchangeable.

### 4.23 Attachment when using positioning belt



#### **CAUTION!** Risk of sliding

- The belt must be placed tight to the body.
- Our wheelchairs must always be used with a seat cushion. If the length of the belt has been adjusted to fit one type of seat cushion height, it is important that this cushion is used. If the seat cushion is replaced, the length of the belt needs to be adjusted.
- The seat must be positioned flat or tilted backwards if the user is left alone unattended.

**i** Positioning belts which are CE-marked for the purpose of using on wheelchairs, can be mounted on the chair with preserved CE-marking. The positioning belt should be fitted by a healthcare professional and be mounted by a qualified technician.

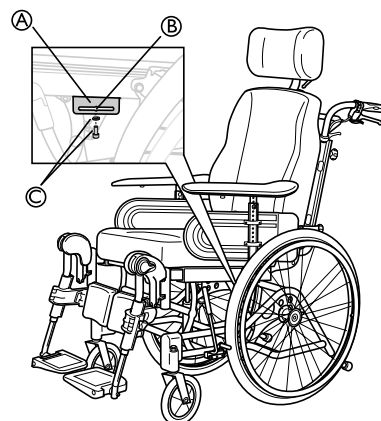
See chapter: “Transporting wheelchairs with users in vehicles”

**i** The purpose of using a belt for positional, is to position the user and to give him / her a better posture.



#### **CAUTION!** Risk of sliding

- If you have a very low seat height and / or use your feet to maneuver the wheelchair, the legrests can be removed. If so, be aware of the sliding risk!



1. Loosen and remove the screw and the washer **C** for the legrest attachment.
2. Place the attachment **A** on the frame as shown on the picture.
3. Adjust the attachment to the required position.
4. Use the screw and the washer **C** to fixate the attachment **A** and tighten the screw.

**i** The positioning belt should be placed in the slot **B** on the attachment **A**.

### 4.24 Harness



#### **WARNING!** Risk of choking

- When the wheelchair is tilted or reclined the harness can move and cause hazard to the user.
- Make sure that the harness is correctly positioned after each adjustment.



#### **WARNING!** Safety risk

- The harness which is used with the harness attachment holder, should be fitted by an experienced clinician or a qualified technician.



#### **WARNING!** Risk of sliding

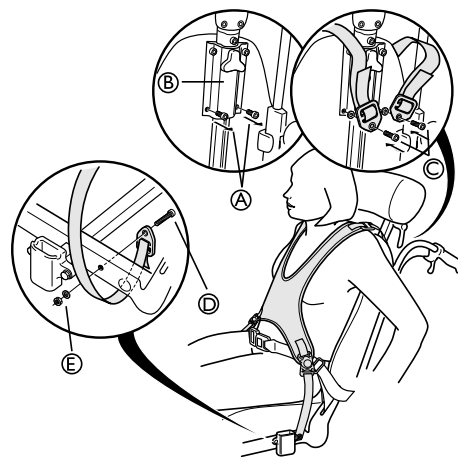
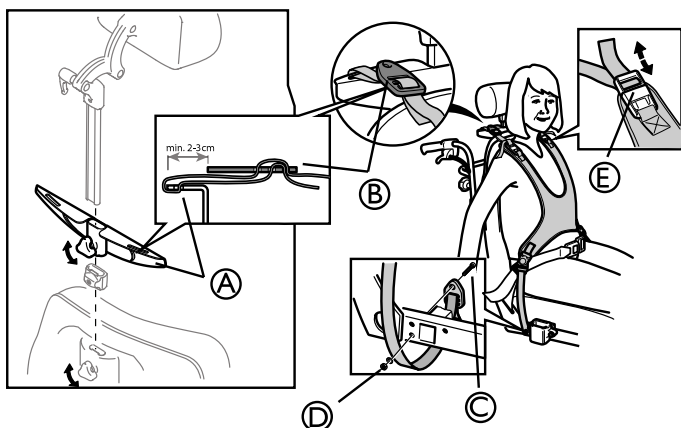
- The user may accidentally slide down in the wheelchair.
- Always use a harness in combination with a posture belt or a positioning belt.



**WARNING!****Safety risk**

- The harness must not be used as a 3 point belt restraint during transport in a vehicle.

- i** Make sure that the harness does not put too much pressure on any point.
- i** Belts/harnesses which are CE-marked for the purpose of using on wheelchairs, can be mounted on the chair with preserved CE-marking. The belt/harness should be fitted by a healthcare professional and be mounted by a qualified technician.

**4.24.1 Harness attachment holder**

1. Loosen the handwheel and remove the neckrest.
2. Fasten the harness holder onto the neckrest pole.
3. Re-tighten the handwheel.

- i** The harness is mounted on the holder for the harness.

4. Thread the straps through the harness holder **A** and the harness clamp **B**.
5. To mount the lower straps, loosen the armrest attachments with the screws **C** under the seat.
6. Pull out the attachments approx. 5 cm.

- i** The strap mountings should be fastened from the inside of the frame as shown above.

7. Insert the screw **C** through the eyelet and into the hole in the frame.

- i** Tools: 5 mm Allen key

8. Secure with washer and nut **D**.
9. Put the armrest attachment back in its original place.

- i** The harness can also be adjusted with the straps by the shoulders **E**.

**4.24.2 Azalea Minor — harness****WARNING!****Risk of injury**

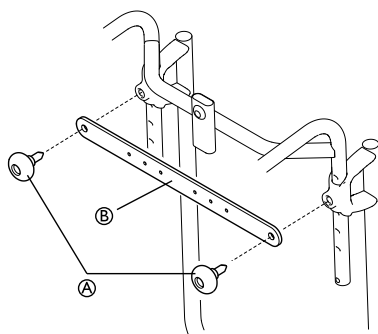
- The harness has to be fitted and adjusted by a trained therapist.

- i** The harness is mounted on the headrest attachment.

1. Remove the screws for the headrest attachment **A** and discard them.
2. Position washers and harness as shown above.
3. Insert new screws **C** through the eyelets into the attachment **B**.
4. Tighten the screws.
5. To mount the lower straps, loosen the armrest attachments with the screws **D** under the seat.
6. Pull out the attachments approx. 5 cm.
7. Insert the screw **D** through the eyelet and into the hole in the frame.

- i** Tools: 5 mm Allen key

8. Secure with the washer and nut **E**.
9. Put the armrest attachment back in its original place.

**4.24.3 Harness attachment — Azalea Base**

1. Loosen the handwheels for the push handles **A**.
2. Fit the harness attachment device **B**.
3. Put the handwheels back and tighten.

## 5 Setup

### 5.1 Safety information



#### CAUTION!

#### Risk of injury

- Before using the wheelchair, check its general condition and its main functions, 8 *Maintenance, page 48.*

Your authorized provider will supply your wheelchair ready for use. Your provider will explain the main functions and ensure that the wheelchair meets your needs and requirements.

Adjustments of the axle position and the castor supporters must be carried out by a qualified technician.

### 5.2 Delivery check

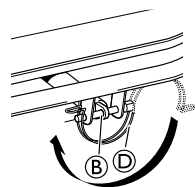
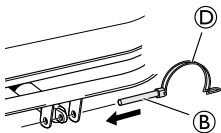
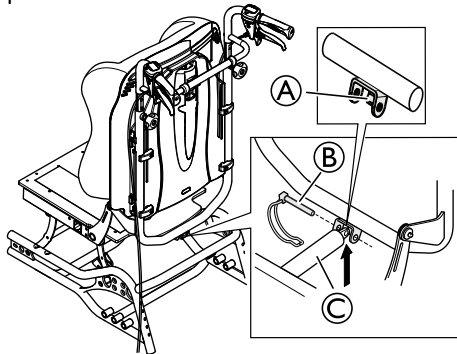
Any transport damage must be reported immediately to the transport company. Remember to keep the packaging until the transport company has checked the goods and a settlement has been reached.

### 5.3 Assembly general

When you receive your wheelchair, you either fit the backrest or, on some models, fold up the backrest. You also have to fit the armrests and legrests onto the chair. The assembly is simple and does not require any tools.

### 5.4 Unfold the backrest

On the models where the backrest folds up, secure the piston at the bottom of the backrest with the safety pin ⑥.



#### WARNING!

#### Electrical version

- The backrest may come loose if the piston rod is accidentally detached from its housing.
- Before attaching the piston to the backrest, turn the piston rod ③ clockwise to its maximum position.
  - When aligning the holes, only turn the piston rod ③ to a maximum a half turn counterclockwise.

1. Let the piston rest on the lip ① for support when mounting the piston.
2. Tilt the backrest slightly forward while supporting the piston manually.
3. Align the holes of piston rod and backrest attachment and slide the safety pin ② through them.
4. Lock the safety pin with the lock shackle ④.
5. Secure the backrest cushion using the hook and loop strips.

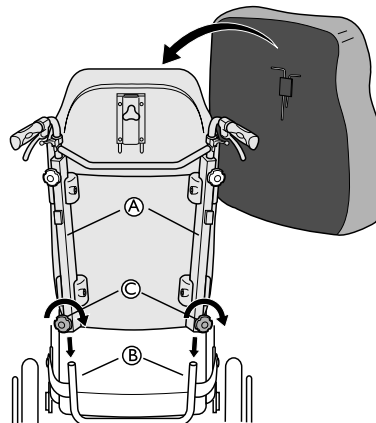


#### WARNING!

#### Safety risk

- The wheelchair may collapse
- Remember to always reinsert and fasten the safety pin when it has been removed.
  - Check that the lock shackle / loop is securely locked.

### Azalea Minor



On Azalea Minor the backrest is fitted onto the wheelchair by sliding the profiles ① of the backrest onto the tubes of the chair ②. Make sure that you push the backrest down as far as possible. Secure into place by tightening the knobs ③.



#### WARNING!

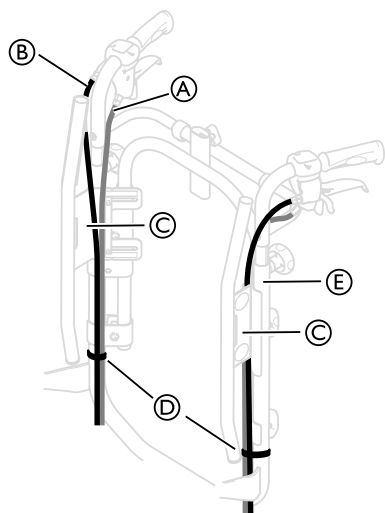
#### Risk of injury

- Check that the backrest is firmly secured in its position!



## 5.5 Placing the wires

### 5.5.1 Wires with tension adjustable backrest



1. Place the wires A and B as shown on the picture above.



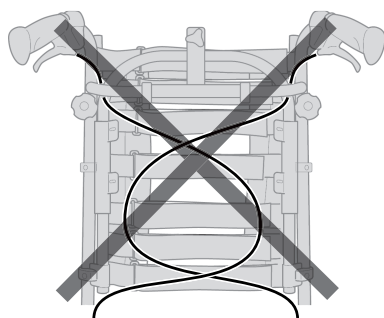
#### **Risk of damage to the wires**

– It is important that the cable for the assistant brake A is placed on the inside of the backrest tubes.

2. Place the wire for the backrest/seat recline B outside of the backrest tubes.
3. Place both of the wires on the inside of the backrest attachment C.
4. Attach the wires to the backrest tubes E with the straps D.



Fold the slack of the wires under the seat to get them out of the way.

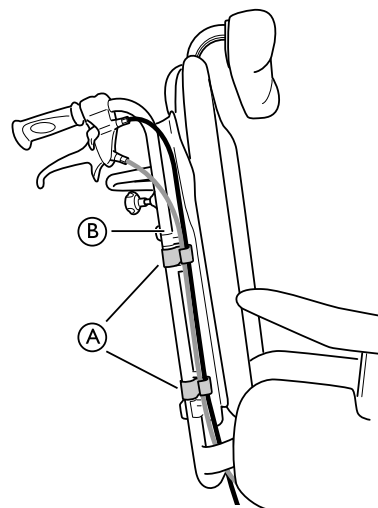


#### **CAUTION!**

#### **Risk of reduced brake effect**

– The wires must not be crossed on the backrest!

### 5.5.2 Wires with backrest plate



1. Thread the wires on the outside of the backrest tubes B.
2. Place the wires in the holders/clips A in order to hold them in place.



Fold the slack of the wires under the seat to get them out of the way.

## 5.6 Folding the backrest

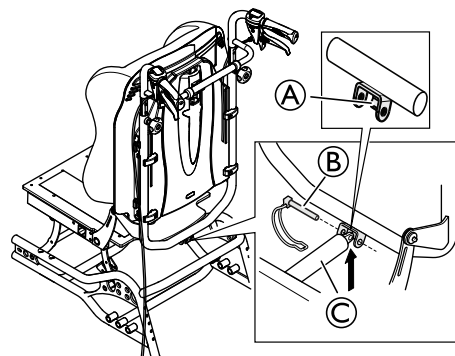


#### **WARNING!**

#### **Safety risk**

The wheelchair may collapse

– When the safety pin is removed, there must not be any weight on the backrest.



With the help of the piston rod resting lip A, the therapist / assistant can loosen the safety pin B for the backrest piston rod C when folding, in order to avoid that the piston and backrest falls to the ground.



#### **WARNING!**

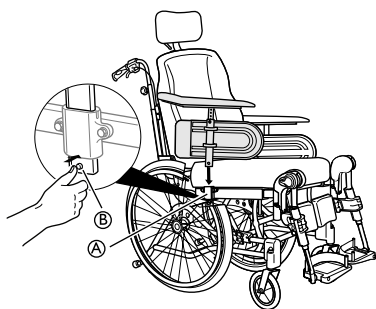
#### **Safety risk**

The wheelchair may collapse


– Remember to always reinsert and fasten the safety pin when it has been removed.  
– Check that the lock shackle / loop is securely locked.

See section: “Folding the backrest” for instructions on how to secure the safety pin B.

## 5.7 Armrests

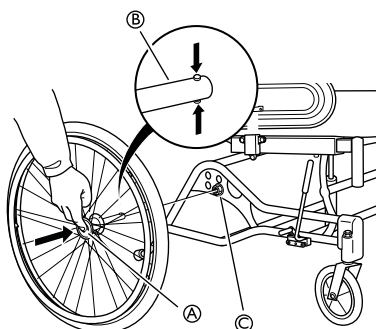


1. Place the armrest in the armrest attachment (A).
2. Press the auto-lock button (B) and press the armrests downwards until you can feel/see that the armrests are securely in place.

 The armrests have an auto-lock to prevent involuntary movement or detachment.

3. Press the auto-lock button (B) to release before removing or adjusting the armrest.

## 5.8 Rear wheels



1. Press and hold in the quick-release button (A).
2. Place the rear wheel axle (B) in the rear wheel attachment (C).
3. Pull the wheels outwards to check that the wheel is securely locked in position.



### WARNING!

#### Risk of injury

– Check that the rear wheel is securely locked in position. It should not be possible to remove the wheels when the quick-release button (A) is deactivated.

## 5.9 Angle adjustable leg rests

To install or remove the Swing away, Angle adjustable leg rest, refer to

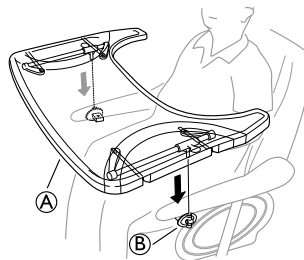
→ 3.11.2 *Swing Away, Angle Adjustable Leg Rests*, page 19.

## 5.10 Fixed leg rests

To install or remove the Swing away, Fixed leg rest, refer to

→ 3.11.1 *Swing away leg rests*, page 19.

## 5.11 Mounting the table tray



Mount the table tray (A) in the table tray attachments (B).

## 6 Using the wheelchair

### 6.1 General warnings — Usage



**WARNING!**  
**Risk of tipping**

The user can fall off the wheelchair when using their feet to maneuver the wheelchair.  
– When you use your feet to maneuver the wheelchair, be aware that the centre of gravity is shifted forward. This changes the stability of the wheelchair.



**CAUTION!**  
**Risk of sliding**

– The seat must be positioned flat or tilted backwards if the user is left alone unattended.

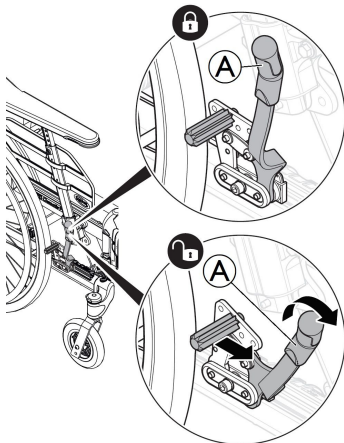


**CAUTION!**  
**Risk of sliding**

– If you have a very low seat height and / or use your feet to maneuver the wheelchair, the legrests can be removed. If so, be aware of the sliding risk!

### 6.2 Brakes

#### 6.2.1 Using the User Operated Brake



Start by checking that the tyres have the correct air pressure (printed on the side of each tyre).



The user brake is to be used when the chair is not moving, and is not intended for reducing speed when the chair is moving.

1. To engage the brake, move the lever (A) towards the rear (towards you).
2. To disengage the brakes, move the lever (A) forwards.



**CAUTION!**  
**Risk of trapping fingers**

– Be careful not to trap your fingers between the brake shoe and rear wheel

#### 6.2.2 Using the One Arm Brake

The wheelchair can be equipped with a one arm brake instead of the standard user operated brake. The one arm

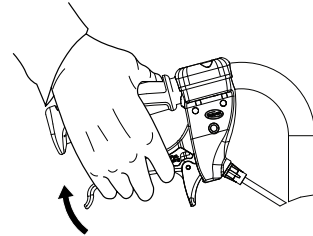
brake is operated in the same way as the standard user operated brake, the difference is that the brake handle brakes both wheels at the same time. The one arm brake is available both for the right and the left side of the wheelchair .

#### 6.2.3 Using the Carer-operated Brake

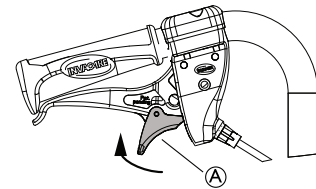


**WARNING!**  
**Risk of reduced brake effect**

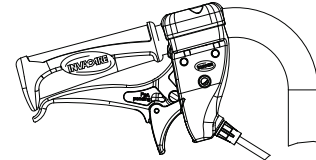
– Incorrect setting or use of the brake reduces the braking effect.



1. Braking when moving: squeeze both brake handles upwards, and the brake will be applied.



2. Locking the brakes: squeeze the handle and move the lock catch (A) upwards.
3. Release the handle.



4. Releasing the brakes: squeeze the handle and the lock catch will release automatically.

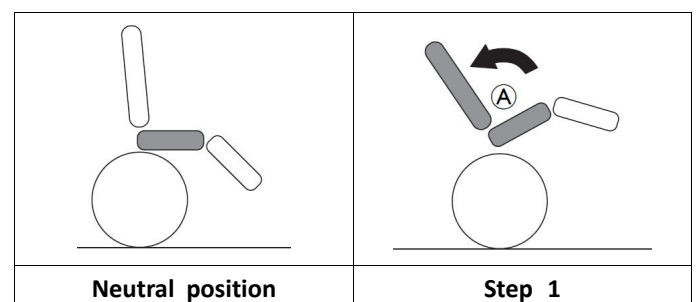


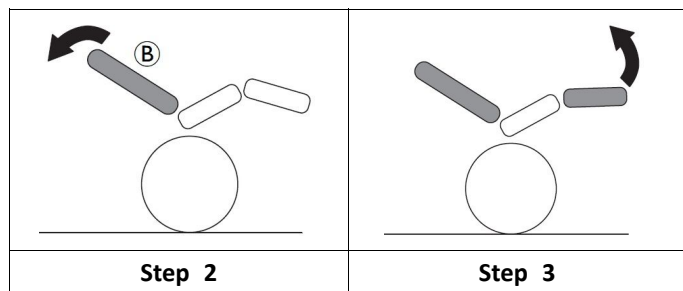
If the brake effect is poor or reduced, contact your authorized provider.

### 6.3 Using the Tilt / Recline Function

To ensure a good positioning, follow these steps when using both the tilt and the recline function. See sections “Manual tilt and backrest angle adjustment” and “Electric tilt and backrest angle adjustment” for instruction about how to operate the tilt and/or the recline function.

#### Tilting / reclining from an upright position





1. Tilt the chair.
  - This enables the user to slide to the rear and supports a neutral pelvis position (A).
2. Recline the backrest
  - The weight will now shift to the back and enable a good posture, as the bottom has slid into a rear position (B).
3. Angle the legrests.

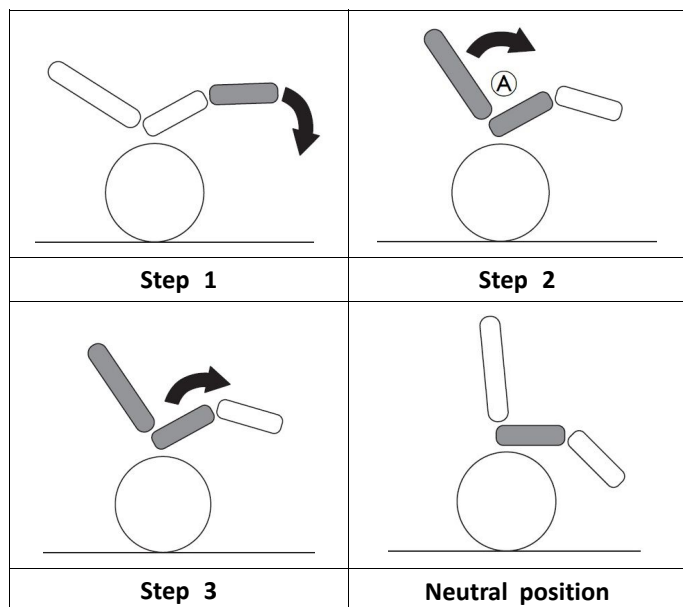


**CAUTION!**  
**Discomfort for the user**

The pelvis will be strained and the user can slide downwards in the chair.

- Ensure that the backside of the thighs (hamstrings) are in a relaxed neutral position when angling the leg rests.

### Rising from a tilted / reclined position



1. Fold down the leg rests.
2. Raise the backrest from the reclined position.
  - Raising the backrest before the tilt, preserves the neutral pelvis position (A).
3. Raise the tilted position.

## 6.4 Move to/from the wheelchair



**WARNING!**  
**Risk of overturning**

There is a high risk of overturning during the transfer.

- Only get in and out without assistance if you are physically able to do so.
- When transferring, position yourself as far back as possible in the seat. This will prevent damaged upholstery and the possibility of the wheelchair tipping forward.
- Make sure that both castors are facing straight to the front.



**WARNING!**  
**Risk of overturning**

The wheelchair could tip forwards if you stand on the footrest.

- Never stand on the footrest when getting in and out.



**CAUTION!**

If you disengage or damage the brakes the wheelchair could roll away out of control.

- Do not support yourself on the brakes when getting in and out.



**NOTICE!**

The mudguards and armrests could become damaged.

- Never sit on the mudguards or armrests when getting in and out.



1. Propel the wheelchair as near as possible to the seat that you want to move to.
2. Engage the parking brakes.
3. Remove the armrests or move them upwards out of the way.
4. Detach the leg rests or swing them outwards.
5. Place your feet on the ground.
6. Hold the wheelchair and, if necessary, also hold a fixed object in the vicinity.
7. Move slowly to chair.

## 6.5 Driving and steering the wheelchair

You drive and steer the wheelchair using the handrims.



**CAUTION!**

A heavy load hanging on the backrest can affect the wheelchair's centre of gravity.

- Change your driving style accordingly.

## 6.6 Negotiating steps and kerbs



### WARNING!

#### Risk of overturning

When negotiating steps you could lose your balance and tip the wheelchair over.

- Always approach steps and kerbs slowly and carefully.
- Do not go up or down steps that are higher than 15 cm.



### CAUTION!

An activated anti-tipper prevents the wheelchair from tipping backwards.

- Deactivate the anti-tipper before going up or down steps or kerbs.



### WARNING!

#### Risk of injury to the assistant and damage to the wheelchair

Tilting the chair with a heavy user can hurt the assistant's back and damage the chair.

- Make sure to be able to safely control the wheelchair with a heavy user before performing a tilting maneuver.

### Going down a step with an assistant



1. Move the wheelchair right up to the kerb and hold the handrims.
2. The assistant should grasp both push handles, push downwards firmly and tilt the wheelchair backwards so that the front wheels lift off the ground.
3. The assistant should then hold the wheelchair in this position, push it carefully down the step and then tilt it forwards until the front wheels are back on the ground.

### Going up a step with an assistant



### WARNING!

#### Risk of serious injuries

Going up steps and kerbs often than the normal use can cause a fatigue break of the wheelchair backrest and the user might fall out of the wheelchair.

- Make sure that the wheelchair can be controlled by the user or the assistant before performing a tilting maneuver.

1. Move the wheelchair backwards until the rear wheels touch the kerb.
2. The assistant should grasp both push handles, push downwards firmly and tilt the wheelchair backwards so that the front wheels lift off the ground, then pull the rear wheels over the kerb until the front wheels can be placed back on the ground.

## 6.7 Going up and down stairs



### WARNING!

#### Risk of overturning

When negotiating stairs you could lose your balance and overturn your wheelchair.

- Always use two assistants when negotiating stairs with more than one step.



1. You can go up and down stairs by taking them one step at a time, as described above. The first assistant should stand behind the wheelchair holding the push handles. The second assistant should hold a solid part of the front frame to steady the wheelchair from the front.

## 6.8 Negotiating Ramps and Slopes



### WARNING!

#### Risk due to wheelchair being out of control

When negotiating slopes or gradients your wheelchair could tip backwards, forwards or sideways.

- Always have an assistant behind the wheelchair when approaching long slopes.
- Avoid lateral slopes.
- Avoid slopes of more than 7°.
- Avoid jerking when changing direction on a slope.



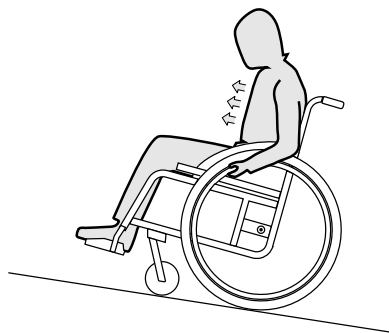
### CAUTION!

Your wheelchair could run away even on slightly sloping ground if you do not control it using the handrims.

- Use the parking brakes if your wheelchair is stationary on sloping ground.

### Going up slopes

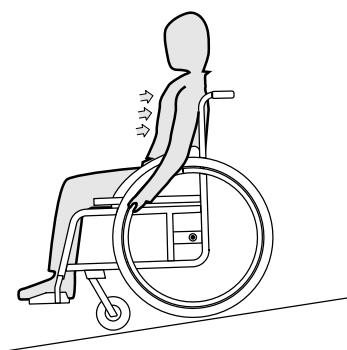
To go up a slope, you must create some momentum, keep up the momentum and control the direction at the same time.



1. Bend your upper body forwards and propel the wheelchair with quick, powerful strokes on both handrims.

### Going down slopes

When going down slopes, it is important to control your direction and particularly your speed.



1. Lean back and carefully allow the handrims to run through your hands. You should be able to stop the wheelchair at any time by gripping the handrims.



**CAUTION!**

**Risk of burning your hands.**

If you brake for a long time, a lot of frictional heat is produced at the handrims (especially anti slip handrims).

- Wear suitable gloves.

## 6.9 Stability and balance when seated

Some everyday activities and actions require you to lean forwards, sideways or backwards out of the wheelchair. This has a major effect on the wheelchair's stability. To keep your balance at all times, proceed as follows:

### Leaning forwards

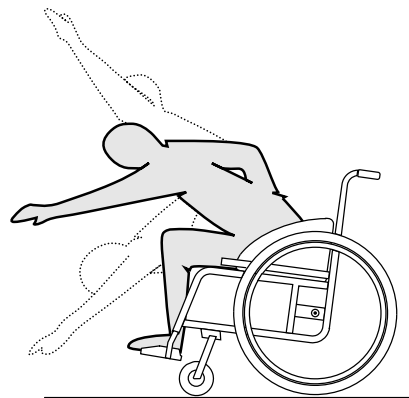


**WARNING!**

**Risk of falling**

If you lean forwards out of the wheelchair you could fall out of it.

- Never bend too far forwards and do not shift forwards in your seat to reach an object.
- Do not bend forwards between your knees to pick up something off the floor.



1. Point the front wheels forwards. (To do this, move your wheelchair forwards slightly then back again.)
2. Apply both parking brakes.
3. When leaning forwards your upper body must remain over the front wheels.

### Reaching backwards

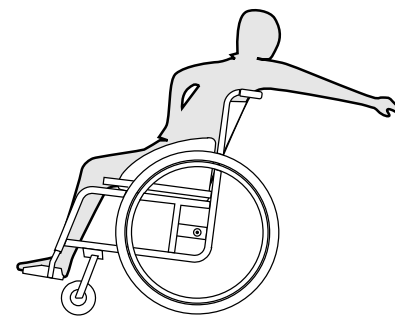


**WARNING!**

**Risk of falling out**

If you lean too far backwards you could tip your wheelchair over.

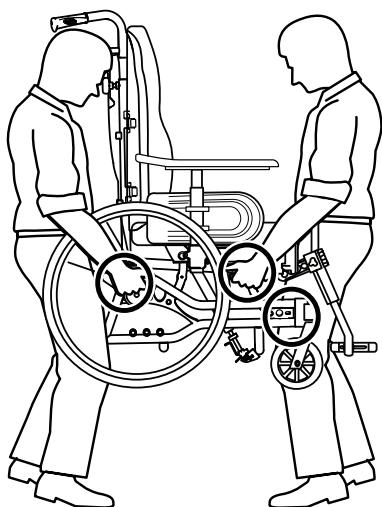
- Do not lean out over the backrest.
- Use an antitipper device.



1. Point the front wheels forwards. (To do this, move your wheelchair forwards slightly then back again.)
2. Do not apply the parking brakes.
3. When reaching backwards do not reach so far that you have to change your sitting position.

## 7 Transport

### 7.1 Lifting the wheelchair

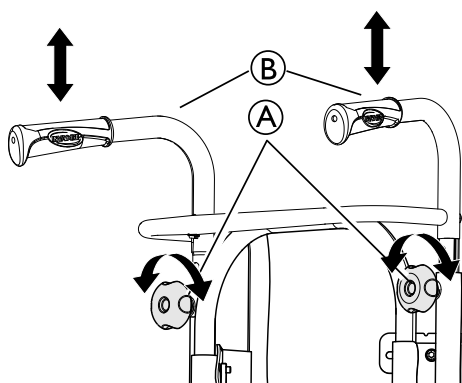


1. Always lift the wheelchair by grabbing the frame at the points shown in the picture.
2. Never lift the wheelchair by the removable armrests or the footrests.
3. Ensure that the backrest and push handles are securely in place.
4. Read the chapter Safety instructions/Propelling techniques.

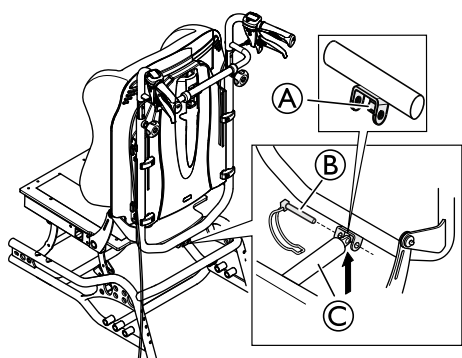
### 7.2 Disassembly for transport

The wheelchair is easy to prepare for transport.


#### 7.2.1 Backrest




1. Remove the backrest cushion by pulling it forwards, thus separating the hook and loop strips.
2. Lower the push handles (B) to the lowest position by loosening the handwheels (A).



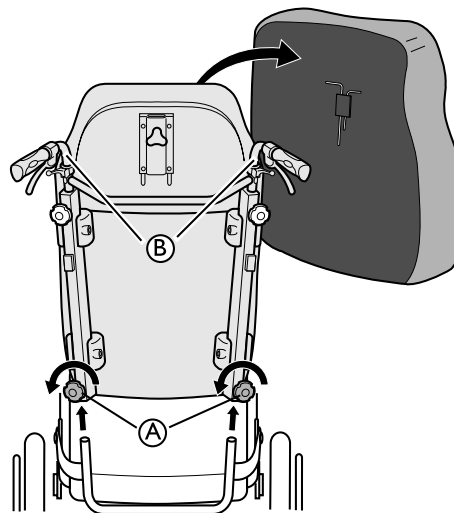
1. Release the gas piston safety pin (B) and carefully remove it.

 The gas piston can rest on the lip (A).


2. Fold the backrest and let it rest on the seat.


 Be careful with the cables that run from the rear wheel to the push handles.

#### 7.2.2 Backrest Minor

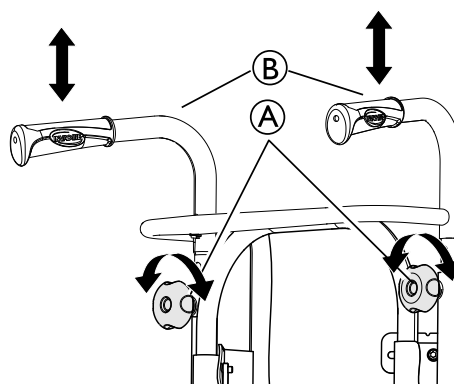


1. Remove the backrest cushion by pulling it forwards, thus separating the hook and loop strips.
2. Loosen both handwheels (A) and pull the backrest directly upwards.
3. Lay the backrest on the seat, where it can remain during transport of the wheelchair.
4. Where applicable, detach the push handles (B).

 Be careful with the cables that run from the rear wheel to the push handles

 When detaching the backrest and placing it on the seat, try to make sure that the cables hang freely.

#### 7.2.3 Push handles/push bar



1. Loosen the two handwheels (A).
2. The height of the push handles (B) can be adjusted simply by pulling the handles upwards or pushing them downwards.



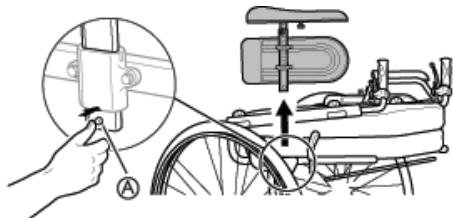
### 7.2.4 Angle adjustable leg rests

To install or remove the Swing away, Angle adjustable leg rest, refer to  
→ 3.11.2 Swing Away, Angle Adjustable Leg Rests, page 19.

### 7.2.5 Fixed leg rests

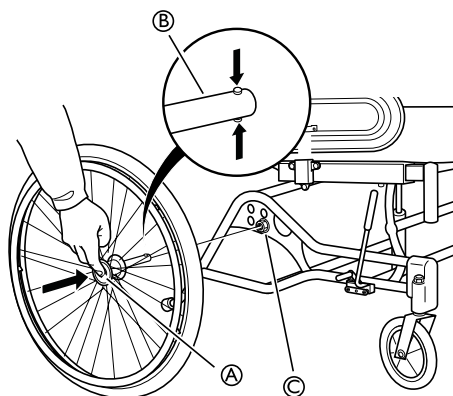
To install or remove the Swing away, Fixed leg rest, refer to  
→ 3.11.1 Swing away leg rests, page 19.

### 7.2.6 Armrest



1. Press and hold the release button (A).
2. Remove the armrest.

### 7.2.7 Rear wheels



1. Push the quick-release button (A).
2. Pull the rear wheel straight out and remove the wheel and the rear wheel axle (B) from the rear wheel attachment (C).

## 7.3 Transporting the Mobility Device without Occupant



**WARNING!**  
**Risk of injury if the wheelchair is not properly secured**

In the event of an accident, braking manoeuvre, etc. you may suffer serious injuries from flying wheelchair parts.

- Firmly secure all wheelchair components in the means of transport to prevent them from coming loose during the journey.



You can remove the rear wheels when transporting the wheelchair.



**NOTICE!**  
Excessive wear and abrasion could affect the strength of load-bearing parts.

- Do not pull your wheelchair across abrasive surfaces without the wheels fitted (e.g. pulling the frame over tarmac).



**CAUTION!**  
**Risk of injury**

- If you are unable to fasten your mobility device securely in a transport vehicle, Invacare recommends that you do not transport it.

Your mobility device may be transported without restrictions, whether by road, rail or by air. Individual transport companies have, however, guidelines which can possibly restrict or forbid certain transport procedures. Please ask the transport company regarding each individual case.

- Invacare strongly recommends securing the mobility device to the floor of the transporting vehicle.

## 7.4 Transporting the Occupied Wheelchair in a Vehicle

Even when the wheelchair is properly secured and the following rules are met, injuries to passengers may occur in a collision or sudden stop. Therefore Invacare strongly recommends transferring the wheelchair user to the vehicle seat. Do not make alterations or substitutions to points of the wheelchair (structure, frame or parts) without the written consent of Invacare Corporation. The wheelchair has been successfully tested according to the requirements of ISO 7176–19 (Frontal impact).



**WARNING!**  
**Risk of serious injury or death**

- To use the wheelchair as a seat in a vehicle the backrest height must be at least 500 mm.

To transport the wheelchair with user in a vehicle, a restraint system must be installed in the vehicle. Wheelchair tie down (four point tie down) and occupant restraint systems must be approved according to ISO 10542-1. Contact your local Invacare authorised provider for more information on getting and installing an approved and compatible restraint system.



**NOTICE!**  
– Before journey contact transporter and request information about the capability for the required equipment.



**WARNING!**  
**Risk of serious injury or death**

If, for some reason, it is impossible to transfer the wheelchair user to a vehicle seat, the wheelchair can be used as a seat in a vehicle if the following procedures and regulations are followed.

- The configuration of the wheelchair is compatible with use as a seat in a motor vehicle (tie-down positions marked with labels).
- The wheelchair must be secured in the vehicle with a 4-point wheelchair restraint system.
- The user must wear a 3-point belt restraint secured to the vehicle.



**NOTICE!**  
– Refer to the user manuals supplied with the restraint systems.  
– The following illustrations may differ depending on the restraint system supplier.





**WARNING!**

**Risk of serious injury or death**

Wheelchairs have been crash tested according to ISO7176-19, to simulate their behavior when used as forward-facing seats in motor vehicles by children and adults with a body mass equal to or greater than 22 kg.

- Do not use the wheelchair as a seat in a vehicle when the user weight is lower than 22 kg.

**Securing the wheelchair and its occupant**



The choice of wheelchair configuration (seat width and depth, wheelbase) influences maneuverability and access to motor vehicles.



**WARNING!**

**Risk of serious injury or death**

Injury or damage may occur from wheelchair components or options loosened during a collision or sudden stop.

- Ensure all removable or detachable components and options are removed from the wheelchair and securely stored in the vehicle.
- Disconnect the hand control (electrical version only) from its connection to the control box and securely stored in the vehicle.



**NOTICE!**

Injury or damage may occur to wheelchair during a collision or sudden stop.

- It is essential to have your wheelchair checked by a qualified technician after an accident or collision.

**Backrest and Seat Angles:**



When transporting an occupied wheelchair in a vehicle, the recommended angles for backrest and seat are the following:

- Azalea standard: 4° for the backrest and 4° for the seat.
- Azalea Max: 5° for the backrest and 3° for the seat.
- Azalea Base: 0° both for the backrest and the seat.

**Ramps and Slopes:**



**WARNING!**

**Risk of injury**

Risk due to wheelchair being out of control.

- Never leave the user unattended when transporting the wheelchair up or down ramps or slopes.



Therefore Invacare strongly recommends transferring the wheelchair user to the vehicle with the posture belt on.

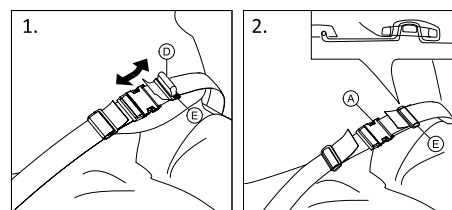
**Adjusting the Posture Belt**



**WARNING!**

**Risk of serious injury or death**

- The posture belt can be used in addition, but never as a substitute for an approved passenger restraint system (3-point belt restraint).



1. Adjust posture belt to fit the wheelchair occupant, see section 4.22 Posture belt, page 33.

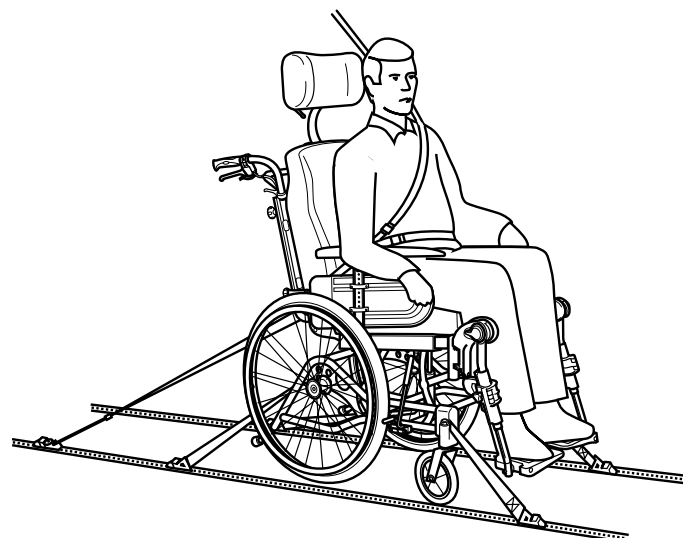
**Securing the Wheelchair with a 4-point wheelchair restraint system**



**WARNING!**

**Risk of serious injury or death**

- Make sure there is sufficient free space around the wheelchair and user to avoid the user making contact with other vehicle occupants, unpadded parts of the vehicle, wheelchair options or anchor points of the restraint system.



**WARNING!**

- Place the wheelchair with the user forward-facing in direction of vehicle travel.
- Engage the wheelchair parking brakes.
- Activate anti-tipper.

The wheelchair tie down points where the restraint system snaps are marked with snap hook symbols (see following figures and section 2.5 Labels and symbols on the product, page 9).



Using the front and rear straps of the 4-point wheelchair restraint system, secure the wheelchair to the vehicle mounted rails. Refer to the user manual supplied with 4-point wheelchair restraint system.



**CAUTION!**

**The directional lock mechanism might break**

– If the wheelchair is equipped with directional lock, the directional lock must be disengaged during transport in a vehicle.

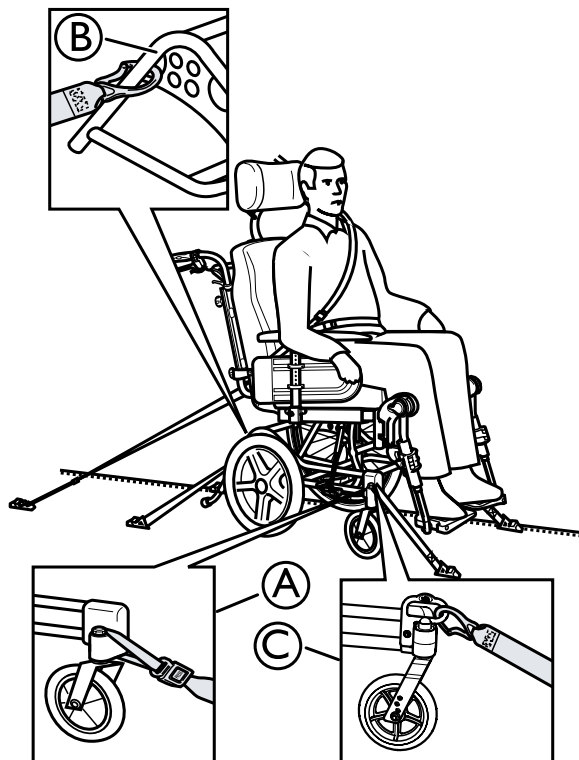
**Front side tie-down positions for snap hooks:**

1. Attach the front straps above the castor supporters as shown in the figure above (see location of the snap hook symbol).
2. Attach front straps to the rail system referring to best practice recommended instructions from the 4-point wheelchair restraint system manufacturer.
3. Disengage parking brakes and apply tension front straps by pulling the wheelchair backwards from the rear.
4. Re-engage parking brakes.

**Alternative frontal transport attachment:**

For some configurations, an alternative transport attachment is available as an option.

1. Connect the hook of the frontal straps on the transport attachment ©.
2. Release brakes and tension front straps by pulling the wheelchair backwards.
3. Re-engage parking brakes.



**NOTICE!**

– The illustration above may differ depending on the wheelchair and the restraint system supplier.

**Rear side tie-down positions for snap hooks:**

1. Attach the snap hooks of the rear straps to the vertical rear tube ⑥ on the rear wheel attachment area.
2. Attach rear straps to the rail system referring to best practice recommended instructions from the manufacturer.
3. Tighten the straps.



**NOTICE!**

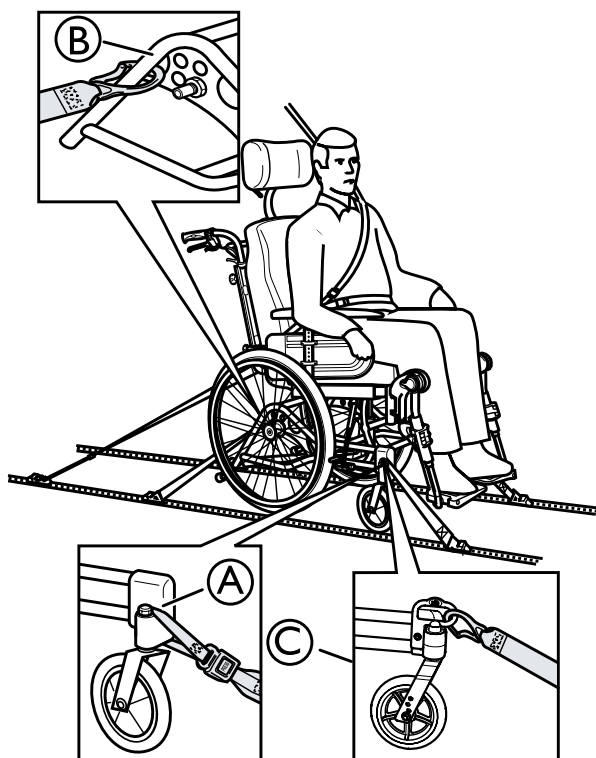
– Make sure that the snap hooks are covered with slip resistant material to avoid laterally slipping on the axle.

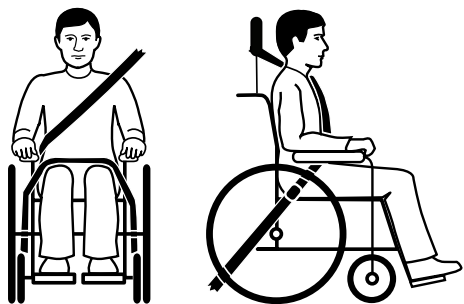
**Fastening the 3-point belt restraint**




**WARNING!**

- Ensure that the 3-point belt restraint fits as tightly across the user's body as possible without discomfort and no belt webbing is twisted.
- Ensure the 3-point belt restraint is not held away from the user's body by parts of the wheelchair such as armrests or wheels etc.
- Ensure the 3-point belt restraint has a clear path from the user to the anchor point without interference by any part of the vehicle, wheelchair, seating or option.
- Ensure the pelvic-belt restraint fits snugly over the occupant's pelvis and is not allowed to ride up into the abdominal area.
- Ensure the user is able to reach the release mechanism unaided.





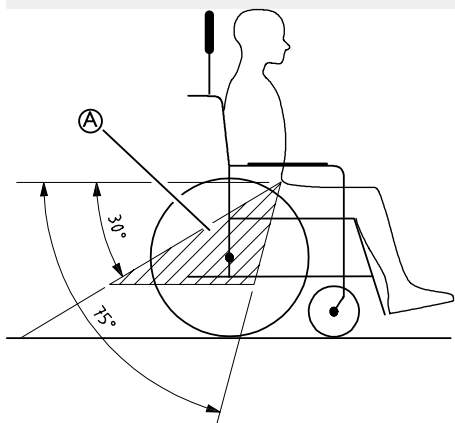
 The Invacare head and neck supports are not restraint devices. Nevertheless, they have been crash tested to verify their attachment points.

1. The 3-point belt restraint should fit as tightly across the user's body as possible without discomfort.



**NOTICE!**

- Ensure that the belt webbing is not twisted when in use.



**NOTICE!**

- Apply the pelvic belt restraint of the 3-point-belt restraint low across the pelvis so that the angle of the pelvic belt is within the preferred zone  $\textcircled{A}$  of 30° to 75° to the horizontal. A steeper angle is preferred, but never exceeding 75°.



The image shows an incorrect placement of three-point belt restraint.

2. The belt restraint must not be held away from the user's body by parts of the wheelchair such as armrests or wheels etc.
3. If the vehicle is equipped with a head restraint and the wheelchair with the head/neck support, then assess with a clinician which one should be used.

## 8 Maintenance

### 8.1 Safety information



#### WARNING!

Some materials deteriorate naturally over time. This could result in damage to wheelchair components.

- Your wheelchair should be checked by a qualified technician at least once a year or if it has not been used for a long period.



#### Packaging for return

The wheelchair shall be sent to the authorized provider in an appropriate packaging to avoid damage during the shipment.

### 8.2 Daily performance check

Check that the following parts are correctly mounted on the wheelchair:

- Wheels
- Backrest
- Anti-tip device
- Push handles
- Footrests

### 8.3 Maintenance Schedule

To ensure safe and reliable operation, carry out the following visual checks and maintenance regularly or have it carried out by another person.

	weekly	monthly	annually
Check the tyre pressure	x		
Check that castors and/or rear wheels are seated correctly	x		
Check posture belt	x		
Check the reclining and tilting mechanisms		x	
Check the castors and its fixation		x	
Check bolts		x	
Check spokes		x	
Check parking brakes		x	
Have wheelchair checked by a qualified technician			x

#### General visual check

1. Examine your wheelchair for loose parts, cracks or other defects.
2. If you find anything, stop using your wheelchair immediately and contact an authorized provider.

#### Check the tyre pressure

1. Check the tyre pressure, see section “Tyres” for more information.
2. Inflate the tyres to the required pressure.
3. Check the tyre tread at the same time.
4. If necessary, change the tyres.

#### Check that castors and/or rear wheels are seated correctly

1. Pull on the castor and/or rear wheel to check that the removable axle is seated correctly. The castor or wheel should not come off.
2. If the castors and /or rear wheels are not engaged properly, remove any dirt or deposits. If the problem persists, have the removable axles re-fitted by a qualified technician.

#### Check posture belt

1. Check that the posture belt is adjusted correctly.



#### NOTICE!

- Loose posture belts must be adjusted by a healthcare professional.
- Damaged posture belts must be replaced by a qualified technician.

#### Check the reclining and tilting mechanisms

1. Check that the reclining and tilting mechanisms are easy operating.

#### Check the castors and its fixation

1. Check that the castors turn freely.
2. Push and pull in the 3 directions (front and rear; left and right; up and down) to observe that there is no free play and movement, also check that there is no visual damage.

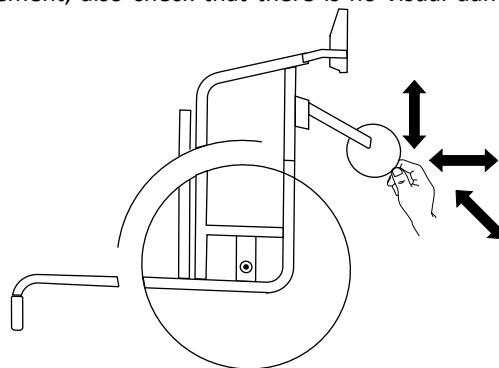


Fig. 8-1

3. Remove any dirt or hair from the castor bearings.
4. Faulty or worn out castors fixation must be replaced by a qualified technician.

#### Check the bolts

Bolts can work loose through constant use.

1. Check that the bolts are tight (on the footrest, seat cover, sides, backrest, frame, seat module).
2. Tighten any loose bolts with the suitable torque.

- ! NOTICE!**  
Self-locking screws/nuts or thread-locking adhesive are used for several connections. If these are loosened, they must be replaced by new self-locking screws/nuts or they must be secured using new thread-locking adhesive.
- Self-locking screws/nuts must be replaced by a qualified technician.

### Check the spoke tension

The spokes should not be loose or distorted.

1. Loose spokes must be tightened by a qualified technician.
2. Broken spokes must be replaced by a qualified technician.

### Check the parking brakes

1. Check that the parking brakes are positioned correctly. The brake is set correctly if the brake shoe depresses the tyre by a few millimeters when the brake is engaged.
2. If you find that the setting is not correct, have the brakes correctly adjusted by a qualified technician.

- ! NOTICE!**  
The parking brakes must be reset after replacing the rear wheels or changing their position.

### Checking after a heavy collision or blow

- ! NOTICE!**  
The wheelchair can sustain visibly undetectable damage as a result of a heavy collision or hard blow.
- It is essential to have your wheelchair checked by a qualified technician after a heavy collision or hard blow.

### Repairing or changing an inner tube

1. Remove the rear wheel and release any air from the inner tube.
2. Lift one tyre wall away from the rim using a bicycle tyre lever. Do not use sharp objects such as a screwdriver which could damage the inner tube.
3. Pull the inner tube out of the tyre.
4. Repair the inner tube using a bicycle repair kit or, if necessary, replace the tube.
5. Inflate the tube slightly until it becomes round.
6. Insert the valve into the valve hole on the rim and place the tube inside the tyre (the tube should lie right round the tyre with no creases).
7. Lift the tyre wall over the edge of the rim. Start close to the valve and use a bicycle tyre lever. When doing this, check all the way round to ensure that the inner tube is not trapped between the tyre and the rim.
8. Inflate the tyre to the maximum operating pressure. Check that no air is escaping from the tyre.

### Spare parts

- i** All spare parts may be obtained from an Invacare authorized provider.

## 8.4 Maintenance electrical version



### CAUTION!

#### Risk of damage to the product

- Do not use chemicals.
- Handle batteries carefully.
- Do not use strong solvents, basic or alkaline liquids.
- Check that the actuators and system function properly.
- For an optimum lifetime, the product must be connected to the mains voltage as often as possible. It is recommended to load the battery at least every 3:rd month.
- Test the battery function at least once a year.

## 8.5 Cleaning and Disinfection

### 8.5.1 General Safety Information



### CAUTION!

#### Risk of Contamination

- Take precautions for yourself and use appropriate protective equipment.



### NOTICE!

- Wrong fluids or methods can harm or damage the product.
- All cleaning agents and disinfectants used must be effective, compatible with one another and must protect the materials they are used to clean.
  - Never use corrosive fluids (alkalines, acid etc.) or abrasive cleaning agents. We recommend an ordinary household cleaning agent such as dishwashing liquid, if not specified otherwise in the cleaning instructions.
  - Never use a solvent (cellulose thinner, acetone etc.) that changes the structure of the plastic or dissolves the attached labels.
  - Always make sure that the product is completely dried before taking it into use again.



For cleaning and disinfection in clinical or long-term care environments, follow your in-house procedures.

### 8.5.2 Cleaning Intervals



### NOTICE!

- Regular cleaning and disinfection enhance smooth operation, increases the service life and prevents contamination.
- Clean and disinfect the product:
- regularly while in use,
  - before and after any service procedure,
  - when it has been in contact with any body fluids,
  - before using it for a new user.


### 8.5.3 Cleaning

#### ! NOTICE!

Dirt, sand and seawater can damage the bearings and steel parts can rust if the surface is damaged.


- Only expose the wheelchair to sand and seawater for short periods and clean it after every trip to the beach.
- If the wheelchair is dirty, wipe off the dirt as soon as possible with a damp cloth and dry it carefully.

1. Remove any options fitted (only options which do not require tools).
2. Wipe down the individual parts using a cloth or soft brush, ordinary household cleaning agents (pH = 6 - 8) and warm water.
3. Rinse the parts with warm water
4. Thoroughly dry the parts with a dry cloth.

 Car polish and soft wax can be used on painted metal surfaces to remove abrasions and restore gloss.


### Cleaning upholstery

For cleaning upholstery refer to the instructions on the labels of the seat, cushion and backrest cover.


 If possible, always overlap hook and loop strips (the self-gripping parts) when washing, to minimize lint and thread build-up on hook strips and prevent damage to upholstery fabric by these.

### 8.5.4 Washing

1. Remove all loose and removable covers and wash them in a washing machine according to the washing instructions for each cover.
2. Remove all padded parts such as seat cushions, armrests, headrest or neckrest with fixed padded parts, calf pads and so on and clean them separately.

 The padded parts can not be cleaned with a high-pressure cleaner or water jet.

3. Spray the wheelchair chassis with detergent, for example a car-cleaning agent with wax, and leave on to work.
4. Rinse the wheelchair chassis with a high-pressure cleaning or ordinary jet of water depending on how dirty the wheelchair is. Do not aim the jet towards bearings and draining holes. If the wheelchair chassis is washed in a machine the water must not be hotter than 60° C.


 Only use water and soft soap to clean the table.

5. Leave the wheelchair to dry in a drying cabinet. Remove parts where water has collected for example in end tubes, ferrules etc. If the wheelchair has been washed in a machine, blow-drying with compressed air is recommended.

### Multi stretch polyurethane (PU) coated fabric

Lighter stains on the fabric may be neutralized with a soft damp cloth and some neutral detergent. To neutralize larger, more persistent stains, wipe the fabric with alcohol or turpentine substitutes, and wash with hot water and a neutral detergent.

The fabric can be washed at temperatures up to 60° C. Normal detergents can be used.

 All parts of the wheelchair with multi stretch polyurethane (PU) coated fabric upholstery, such as armrest pads, calf pads, headrest or neckrest, should be cleaned according to the instruction above.


### Electrical version

#### ! NOTICE!

- The wheelchair with electrical backrest or tilt is protected according to IPX6. This means that the product can be washed with a brush and water. The water can be under pressure (garden hose or equivalent), but high pressure water must not be sprayed directly towards the electrical system.
- Max washing temperature 20° C.
- Do not use a steam cleaner.
- Before cleaning, make sure that the power plug is not connected.
- Interconnected cables must remain plugged in when cleaning the product.
- Retract the actuator to the innermost position when cleaning to avoid degreasing of the piston rod.

### 8.5.5 Disinfection

The wheelchair may be disinfected by spraying or wiping with tested, approved disinfectants.

 Spray a soft cleaning and disinfecting product (bactericidal and fungicide meeting the EN1040 / EN1276 / EN1650 standards) and follow the instructions given by the manufacturer.

1. Wipe down all generally accessible surfaces with a soft cloth and ordinary household disinfectant.
2. Allow the product to air-dry.

## 9 After Use

### 9.1 Storage

- ! NOTICE!**  
Risk of damage to the product
- Do not store the product near heat sources.
  - Never store other items on top of the wheelchair.
  - Store the wheelchair indoors in a dry environment.
  - Refer to temperature limitation in chapter 11 *Technical Data*, page 54.

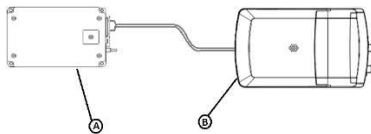
After long-term storage (more than four months) the wheelchair must be inspected in accordance to chapter 8 *Maintenance*, page 48.

#### 9.1.1 Storage Electrical Version

- ! NOTICE!**  
Risk of damage to the product
- Do not store the product near heat sources.
  - Never store other items on top of the wheelchair.
  - Store the wheelchair indoors in a dry environment.
  - Refer to temperature limitation in chapter 11 *Technical Data*, page 54.

#### Short-term Storage

Do not remove the battery pack A located under the seat plate, disconnect the cable from the battery (A) or from the control box (B)



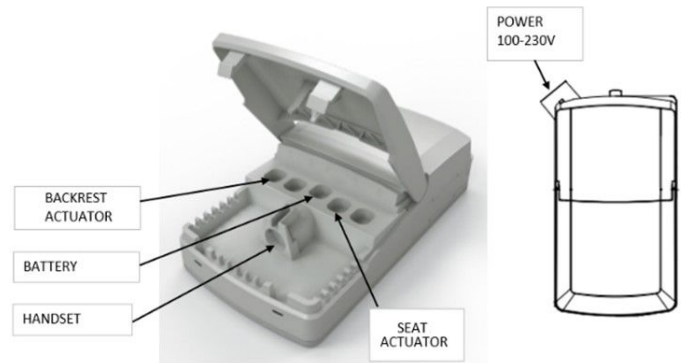
#### Long-term Storage

##### Storing Mobility Device and Battery

- Even not being use, batteries discharge themselves. The best practice is to disconnect the battery supply from the control box if storing the mobility device longer than two weeks. Disconnect the battery pack from the control box or battery, see short-term Storage below. In case of doubt of which cable should be disconnected, contact your authorized provider.
- Battery should always be fully charged before storing.
- When you store the mobility device more than four weeks, check the battery every six months and recharge as needed (before gauge reads half full) to avoid damage

##### Preparing Mobility Device for Use

- The battery pack must be charged before use.
- Reconnect the battery supply to the control box.



### 9.2 Disposal

Be environmentally responsible and recycle this product through your recycling facility at its end of life.

Disassemble the product and its components, so the different materials can be separated and recycled individually.

The disposal and recycling of used products and packaging must comply with the laws and regulations for waste handling in each country. Contact your local waste management company for information.

#### 9.2.1 Disposal Electrical Version



##### **WARNING!**

##### **Environmental Hazard**

- Device contains batteries. This product may contain substances that could be harmful to the environment if disposed of in places (landfills) that are not appropriate according to legislation.
- DO NOT dispose of batteries in normal household waste.
  - Batteries MUST be taken to a proper disposal site. The return is required by law and free of charge.
  - Do only dispose discharged batteries.
  - Cover terminals of lithium batteries prior to disposal.

### 9.3 Reconditioning

This product is suitable for reuse. To recondition the product for a new user, carry out the following actions:

- Inspection
- Cleaning and disinfection
- Adaptation to the new user

For detailed information, see 8 *Maintenance*, page 48 and the service manual for this product.

Make sure that the user manual is handed over with the product.

If any damage or malfunction is detected, do not reuse the product.

---

## 10 Troubleshooting

---

### 10.1 Safety information

Faults may arise as a result of daily use, adjustments or changing demands on the wheelchair. The table below shows how to identify and repair faults.

Some of the actions listed must be carried out by a qualified technician. These are indicated. We recommend that *all* adjustments are carried out by a qualified technician.

**CAUTION!**

- If you notice a fault with your wheelchair, e.g. a significant change in handling, stop using your wheelchair immediately and contact your provider.



## 10.2 Identifying and repairing faults

Fault	Possible cause	Action
The wheelchair does not travel in a straight line	Incorrect tyre pressure on one rear wheel	Correct tyre pressure, → 11.2 Tyres, page 56
	One or more spokes broken	Replace faulty spoke(s), → qualified technician
	Spokes tightened unevenly	Tighten loose spokes, → qualified technician
	Castor bearings are dirty or damaged	Clean the bearings or replace the castor, → qualified technician
The wheelchair tips backwards too easily	Rear wheels are mounted too far forwards	Mount the rear wheels further back, → qualified technician
	Back angle too large	Reduce the backrest angle, → qualified technician
	Seat angle too large	Mount the castor upper on the front fork, → qualified technician
The brakes are gripping poorly or asymmetrically	Incorrect tyre pressure in one or both rear tyres	Correct tyre pressure, → 11.2 Tyres, page 56
	Brake setting incorrect	Correct the brake setting, → qualified technician
Rolling resistance is very high	Tyre pressure in rear tyres is too low	Correct tyre pressure, → 11.2 Tyres, page 56
	Rear wheels not parallel	Ensure the rear wheels are parallel, → qualified technician
The castors wobble when moving fast	Too little tension in castor bearing block	Tighten the nut on the bearing block axle slightly, → qualified technician
	Castor has worn smooth	Change castor, → qualified technician
The castor is stiff or stuck	Bearings are dirty or faulty	Clean the bearings or replace the castor, → qualified technician

## 10.3 Identifying and Repairing Faults, Electrical Version

Fault	Possible cause	Action
Tilt or recline does not move	End of stroke reached	Operate opposite button
	Battery is not charged	Charge the battery
	Hand control not connected	Ensure hand control correctly connected to control unit.
	Hand control defective	Call qualified technician to replace hand control
	Control unit defective	Call qualified technician to replace control unit
	Cables entangled or pinched	Call qualified technician to replace cables
	Hand control function is locked	Call qualified technician to unlock the hand control function
The hand control beeps when it is used.	Battery level is low	Charge the battery
	The wheelchair has been used outdoors in cold temperatures (below $-10^{\circ}\text{C}$ )	Let the wheelchair get warmer. Restart the control box, see chapter "Charging the battery" for more instructions.

## 11 Technical Data


### 11.1 Dimensions and weights


All dimension and weight specifications refer to a wide range of the wheelchair in a standard configuration. Dimension and weight (based on ISO 7176-1/5/7) may alter according to different configurations.

- !** **NOTICE!**
- In some configurations, the overall dimensions of the wheelchair when it is ready for use exceeds the authorised limits and the access to emergency escape routes is not possible.
  - In some configurations, the wheelchair exceeds the size recommended for travelling by train in the EU.

	AZALEA	AZALEA ASSIST	AZALEA TALL	AZALEA BASE	AZALEA MINOR	AZALEA MAX
Maximum user weight	135 kg	135 kg	135 kg	135 kg	75 kg	180 kg
Overall length with leg rests	950–1035 mm	950–1035 mm	950–1085 mm	950–1035 mm	900–970 mm	1160–1180 mm
Overall width	SW +250 mm ****	SW +250 mm ****	SW +260 mm ****	SW +250 mm ****	SW +250 mm ****	SW +250 mm ****
Stowage width	705 mm	705 mm	705 mm	705 mm	705 mm	845 mm
Stowage height	720 mm	720 mm	720 mm	720 mm	720 mm	762 mm
Stowage length	770 mm	820 mm	820 mm	770 mm	720 mm	765 mm
Total mass*	43 kg	43 kg	45 kg	20 kg	41 kg	54 kg
Mass of the heaviest part*	23,5 kg	33,5 kg	25,5 kg	20,5 kg	22 kg	36 kg
Static stability downhill	11°	11°	11°	11°	11°	17°
Static stability uphill	14°	14°	14°	14°	14°	14°
Static stability sideways	21°	21°	21°	21°	21°	21°
Seat plane angle	-1° – +24°	-1° – +24°	-1° – +24°	-1° – +24°	-1° – +24°	-1° – +20°
Effective seat depth	430–500 mm	430–500 mm	480–550 mm	380–500 mm	380–450 mm	500–570 mm
Effective seat width	390–550 mm	390–590 mm	390–590 mm	340–590 mm	340–440 mm	** 550–710 mm
Seat surface at front/rear edge	400/450 mm	400/450 mm	500 mm	400/450 mm	400/450 mm	400/450 mm
Backrest angle	0° – +30°	0° – +30°	0° – +30°	-3° – +30°	0° – +30°	0° – +30°
Backrest height	560–790 mm 540–715 mm	560–790 mm 540–715 mm	560–790 mm 540–715 mm	—	550–650 mm	*** 620–700 mm
Footrest-to-seat distance	330–627 mm	330–627 mm	330–627 mm	330–627 mm	330–627 mm	330–627 mm

	AZALEA	AZALEA ASSIST	AZALEA TALL	AZALEA BASE	AZALEA MINOR	AZALEA MAX
Leg-to-seat-surface angle	105° – 180°	105° – 180°	105° – 180°	105° – 180°	105° – 180°	105° – 180°
Armrest-to-seat height	240–360 mm	240–360 mm	240–360 mm	240–360 mm	240–360 mm	320–420 mm
Front location of armrest structure	343 – 571 mm	343 – 571 mm	343 – 571 mm	343 – 571 mm	343 – 571 mm	400 – 470 mm
Hand rim diameter	450 – 540 mm	450 – 540 mm	450 – 540 mm	450 – 540 mm	450 – 540 mm	450 – 540 mm
Horizontal location of axle	-35 – 35 mm	0 – 40 mm	-35 – 35 mm	-35 – 35 mm	+0 – -35 mm	-35 – 35 mm
Minimum turning radius	870 mm	870 mm	920 mm	870 mm	820 mm	870 mm
Overall length without leg rests	830 – 960 mm	830 – 960 mm	830 – 1000 mm	830 – 980 mm	830 – 980 mm	830 – 980 mm
Overall height	950–1020 mm	950–1020 mm	1000–1300 mm	900–1300 mm	900–1250 mm	1020–1240 mm
Pivot width	1480 mm	1380 mm	1530 mm	1380 mm	1380 mm	1500 mm
Maximum slope angle brake	7°	7°	7°	7°	7°	7°

-  • \* If equipped with electrical system, the weight increase is 4,2 kg.  
 • \*\* A smaller seat width can be obtained by using the side rest pad.  
 • \*\*\* A lower backrest height can be obtained by using another backrest.  
 • \*\*\*\* Overall width + 10 mm (when equipped with hub brake 22" or 24")

-  The wheelchair is compliant to the following standards:  
 • Requirements and test methods for static, impact and fatigue strengths (ISO 7176-8)  
 • Power and control systems for electric wheelchairs – requirements and test methods (ISO 7176-14)  
 • Climatic test (ISO 7176-9)

	515 mm (20")	560 mm (22")	600 mm (24")	405 mm (16")
Width of the wheels	35 mm (1 3/8")	25 mm (1") - 35 mm (1 3/8")	25 mm (1") - 35 mm (1 3/8")	45 mm (1 3/4")
Wheel inclination	0° +/- 1° (Wheelchair without load)			

### 11.1.1 Maximum Weight of Removable Parts

Maximum weight of removable parts	
Part:	Maximum weight:
Leg rest angle adjustable with calf pad and footrest	3,2 kg
Armrest	2,0 kg
Rear wheel 600 mm (24") solid with handrim and spoke guard	2,5 kg
Headrest / Neckrest / Cheek support	1,4 kg
Trunk support	0,8 kg
Backrest cushion	2,0 kg

Seat cushion	1,9 kg
Table tray	3,9 kg

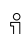

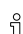
## 11.2 Tyres

The ideal pressure depends on the tyre type:

The table below is an indication. In case the tyre differs from the list below, check the side of the tyre, the maximum pressure is listed there.

Tyre	Max. pressure		
Pneumatic profiled tyre: 560 mm (22"); 610 mm (24")	4.5 bar	450 kPa	65 psi
Pneumatic low profile tyre: 560 mm (22"); 610 mm (24")	7.5 bar	750 kPa	110 psi
Solid tyre: 405 mm (16"); 560 mm (22"); 610 mm (24")	-	-	-

Tyre	Max. pressure		
Solid tyre: 140 mm (5" 1/2); 150 mm (6"); 175 mm (7"); 200 mm (8")	-	-	-
Pneumatic tyre: 200 mm (8")	2.5 bar	250 kPa	36 psi

-  The compatibility of the tyres listed above depends on the configuration and/or model of your wheelchair.
-  The size of the tyre is mentioned on the sidewall of the tyre. The change of appropriate tyres must be carried out by a qualified technician.
-  In case of a tyre puncture consult a suitable workshop (e.g. bike repair shop, bicycle dealer ...) to have the tube replaced by a skilled person.





### CAUTION!

- The tyres pressure have to be equal in both wheels to avoid a less driving comfort, to keep the brakes efficiency and an easy propelling of the wheelchair.

## 11.3 Materials


Chassis, backrest tubes	Steel, powder coated
Plastic parts like push handles, brake handles, foot plates and parts of most options	Thermoplastic (e.g. PA, PE, PP, ABS and TPE) according to marking on the parts
Upholstery (seat and backrest)	Foam PUR and polyether, polyurethane-coated fabric and plush
Table	ABS
Seat plate	Coated Birch plywood
Other metal parts	Zinc alloys, aluminum alloys and steel
Screws, washers and nuts	Steel, corrosion free

 All materials used are protected against corrosion. We use only REACH compliant materials and components.

 Theft and metal detection systems: in seldom cases the materials used in the wheelchair may activate theft and metal detection systems.

## 11.4 Environmental conditions



	Storage and transportation	Operation
Temperature	-20 °C to 40 °C	-5 °C to 40 °C
Relative humidity	20 % to 90 % at 30 °C, not condensing	
Atmospheric pressure	800 hPa to 1060 hPa	


 Be aware that when a wheelchair has been stored under low temperatures, it must be adjusted to operating conditions before use.

### 11.5 Environmental Conditions Electrical Version

	Storage and transportation	Operation
Temperature	-10 °C to 50 °C	5 °C to 40 °C
Relative humidity	20 % to 80 %, not condensing	
Atmospheric pressure	700 hPa to 1060 hPa	

### 11.6 Electrical system — Models equipped with electric tilt and backrest

Voltage supply	U in 100–240 Voltage, AC, 50/60 Hz (AC = Alternating current), Battery (Lead acid) DC 24V (DC=Direct Current)
Maximum current input	I in max. 5 Ampere (battery = =max 1.3Ah)
Intermittent (periodic motor operation)	10 % 2 min ON / 18 min OFF
Protection class	CLASS II equipment
	
	Applied Part complying with the specified requirements for protection against electrical shock according to IEC60601-1.
Degree of protection	The control unit, external power supply, motors and hand controls are protected according to IPx6. See label and label on each electric device for correct IP class. The lowest IP-classification decides the overall classification of the system.  <b>IPx6-</b> The system is protected against water projected from any direction (not high pressure).
Charging time	Approximate time of 6 hours using the charging via integrated charged.

 The battery must be stored in an appropriate storage room to avoid direct sunlight. For full details contact your Invacare authorized provider.

### 11.7 Electromagnetic compliance (EMC)

#### General information

Products with electronic equipment needs to be installed and used according to the EMC information in this user manual.



**WARNING!**

**Portable and mobile communications equipment can affect the operation of this product.**

– In the case of the product moves itself unintentionally while being submitted to Electromagnetic interference, then stop immediately using the product and send it to check by a qualified technician.

This product has been tested and complies with the EMC limits specified by IEC 60601-1-2 for Class B equipment.



**This product has a very low emission and should not interfere with other equipment.**

**However, if other devices nearby should react inexplicably, run and stop this product and observe the devices.**

- If nothing happens with the other devices, then this product is not causing the error.
- If other devices are behaving in an inexplicable manner, then this product is causing the error. Solve the problem by moving or increasing the distance between them.

### 11.8 EMC - Manufacturer’s declaration

Test	Basic Standard	Compliance Level / Frequency Range
Mains PortConducted Emissions	EN 55011	Group 1 Class B
Radiated Emissions	EN 55011	Group 1 Class B
Mains Harmonics	EN 61000-3-2 +A1 + A2	Class A
Voltage Fluctuations	EN 61000-3-3	dc%/dmax/d(t)/Pst
Electrostratic Discharge	EN 61000-4-2	±2/4/6kV Contact, ±2/4/8kV Air

Radiated Field Immunity	EN 61000-4-3	3V/m, 80% 1kHz AM, 80MHz - 2.5 GHz
EFT/Bursts	EN 61000-4-4	±2kV L/N/E/LNE
Surge Immunity	EN 61000-4-5	±0.5/1kV L-N, ±0.5/1/2kV L-E/N-E
Conducted RF Immunity	EN 61000-4-6	3V, 80% 1kHz AM, 0.15MHz - 80MHz
Magnetic Field Immunity	EN 61000-4-8	3A/m, 50Hz-80Hz
Dips & Interruptions	EN 61000-4-11	-95%/-60%/-30%





**United Kingdom & Ireland:**

Invacare Limited  
Pencoed Technology Park, Pencoed  
Bridgend CF35 5AQ  
Tel: (44) (0) 1656 776 200  
uk@invacare.com  
www.invacare.co.uk

**New Zealand:**

Invacare New Zealand Ltd  
4 Westfield Place, Mt Wellington 1060  
New Zealand  
Phone: 0800 468 222  
Fax: 0800 807 788  
sales@invacare.co.nz  
www.invacare.co.nz

**Australia:**

Invacare Australia Pty. Ltd.  
Unit 18/12 Stanton Road,  
Seven Hills, NSW 2147,  
Australia  
Phone: 1800 460 460  
Fax: 1800 814 367  
orders@invacare.com.au  
www.invacare.com.au

**Asia:**

Invacare Asia Ltd.  
Unit 18/12 Stanton Road,  
Seven Hills, NSW 2147  
Australia  
Phone: (61) (02) 8839 5333  
Fax: (61) (02) 8839 5343  
asiasales@invacare.com  
www.invacare.com



Invacare France Operations SAS  
Route de St Roch  
F-37230 Fondettes  
France



Invacare UK Operations Limited  
Unit 4, Pencoed Technology Park, Pencoed  
Bridgend CF35 5AQ  
UK

1488727-S 2023-01-26



**Making Life's Experiences Possible®**



**Yes, you can.®**