



NOTES

1. When ordering spare parts in all correspondence relating thereto, please quote full Model Name and Serial Number.
2. Where parts are available in LEFT or RIGHT hand (LH/RH) care should be taken to ensure that correctly handed parts are ordered, Left and Right sides of the Hoist correspond to the normal position of hands when the user is seated.
3. In the event of damage in transit notify and file a claim with the carrier, immediately.
4. Any return of parts supplied must be authorised in advance. Please contact the Sales office for issue of a return Authorisation Number.
5. All returned goods to be shipped carriage charges paid.
6. Please note that there is a minimum administration charge when ordering from the Spare Parts List. Please contact Customer Services.

NOTE: Due to technical and Safety Regulations certain items are now supplied as complete assemblies.

AS A POLICY OF CONTINUOUS PRODUCT DEVELOPMENT INVACARE RESERVE THE RIGHT TO ALTER PRICES AND SPECIFICATIONS WITHOUT PRIOR NOTICE.

SPARE PARTS LIST

200/250 RELIANT PLUS MOBILE HOISTS

IN ALL INVACARE SPARE PARTS ORDERS
AND RELATED CORRESPONDENCE QUOTE:

1. Hoist Model and Type.
2. Hoist Serial Number (if applicable).
3. Part Number.
4. Part Description.

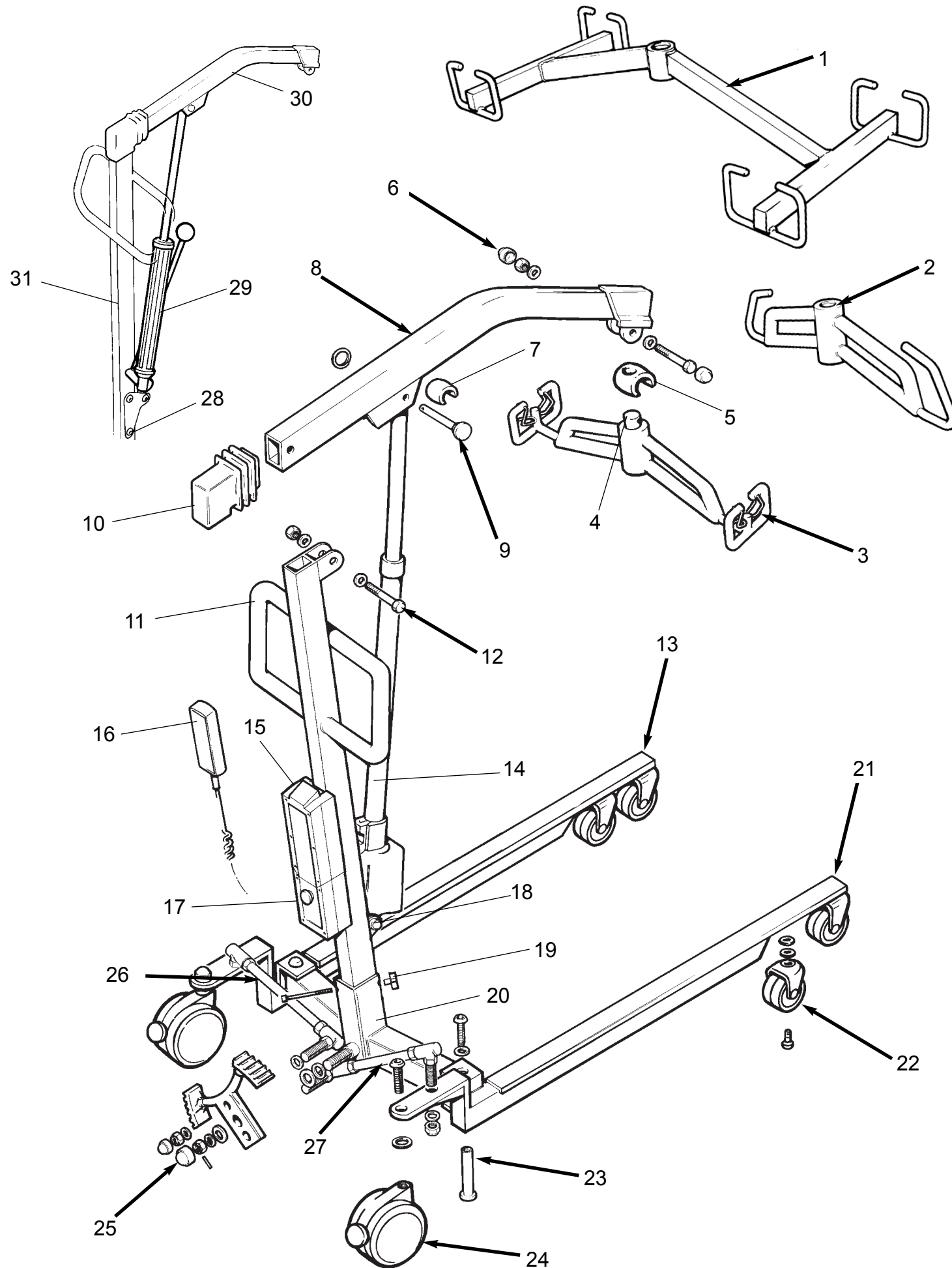
1103

PART NO: 1436705

Exploded drawing valid from November 2003

INVACARE Ltd
South Road, Bridgend Ind. Estate,
Bridgend. UK. CF31 3PY
Tel: 01656 647327
Fax: 01656 649016

Reliant Plus 200/250



Item	Part number	Description
1	270234-0220	Spreader Bar Kit c/w Safety Clips (France)
2	270235	Spreader Bar Kit c/w Safety Clips (Sweden)
3	270236	Spreader Bar Kit c/w Safety Clips (Standard)
4	170014	Clevis Pin
5	270153	Finger trap protector-jib
6	270237	Spreader bar fixing kit (end caps, nut, bolt, washers, spacer)
7	270152	Finger trap protector-actuator
8	270254-0220	Jib Assy - Electric (including end protector) - Silver
9	270239	Top Actuator Kit (Release pin, keyring)
10	270101	Mast Pivot Gaitor
11	270255-0220	Mast Assembly - Electric - Silver
12	270241	Jib fixing kit (nut, bolt, washers)
13	270256-0220	Leg Assy - LH (including protector moulding) - Silver
14	P03014	Electric Actuator
15	P50026	Battery pack complete
16	270219	Hand control-Magnetic
17	P10918	Hand control-Clip on
17	P10919	Control Box and charger
17	P90031	Control box/Battery mounting bracket(not shown)
18	270243	Bottom Actuator Kit (spacer, bolt, nut, washer)
19	270244	Mast securing kit (bolt, handknob, allen key)
20	270205	Mast socket
21	270257-0220	Leg Assy RH (including protector moulding) - Silver
22	270246	Front Castor Kit (castor, washers, screws) REL 250
22	270258	Front Castor Kit (castor, washers, screws) REL 200
23	270247	Leg Pivot Kit (pivot pin, washer, screws)
24	270248	Rear Wheel Kit (castor, washers, screws) REL 250
24	270259	Rear Wheel Kit (castor, washers, screws) REL 200
25	270249-9005	Foot Pedal Kit - Silver (including pedal assy, thrust washer, friction plate, nut, split pin, washers, caps)
26	270250	LH Link Assy (link, washers, nuts)
27	270260	RH Link Assy (link, washers, nuts)
28	270252	Bracket kit - Hydraulic (plates, spacers, washers, screws)
29	N90022	Hydraulic Pump
30	270261-0220	Jib Assy - Hydraulic (including end protector) - Silver
31	270212-0220	Mast Assembly - Hydraulic - Silver
32	P90046	Battery charger lead - Euro
32	P90047	Battery charger lead - UK
33	Q99374	User manual

Please Note: Items marked with → indicate parts supplied in kit form only