



Yes, you can.[®]



Invacare[®] Etude

Spare parts catalogue



CE

Spare Parts List ETUDE

Information about using this list..... 3

2-sectioned mattress support without tilt EN 1970 / with tilt “EN 1970” 4 - 7

4-sectioned mattress support without tilt EN 1970 / with tilt “EN 1970” 8 - 11

4-sec. mattress support with el. leg sec. without tilt EN 1970/ with tilt “EN 1970” 12 - 15

Mattress support extension 16 - 17

Motor bed end, Basic – 2 pcs. 18 - 21

Motor bed end, Classic / Classic low height – 1 pcs. 22 – 25

Motor bed end, Classic extra low – 1 pcs. 26 – 29

Wooden Side rail – model BRITT III, extended model BRITT II 30 - 31

Side rail steel – model 5519, 5529 32 - 33

Side rail steel – model 5525 34 - 35

Side rail steel with plastic insert – model 5526 36 - 37

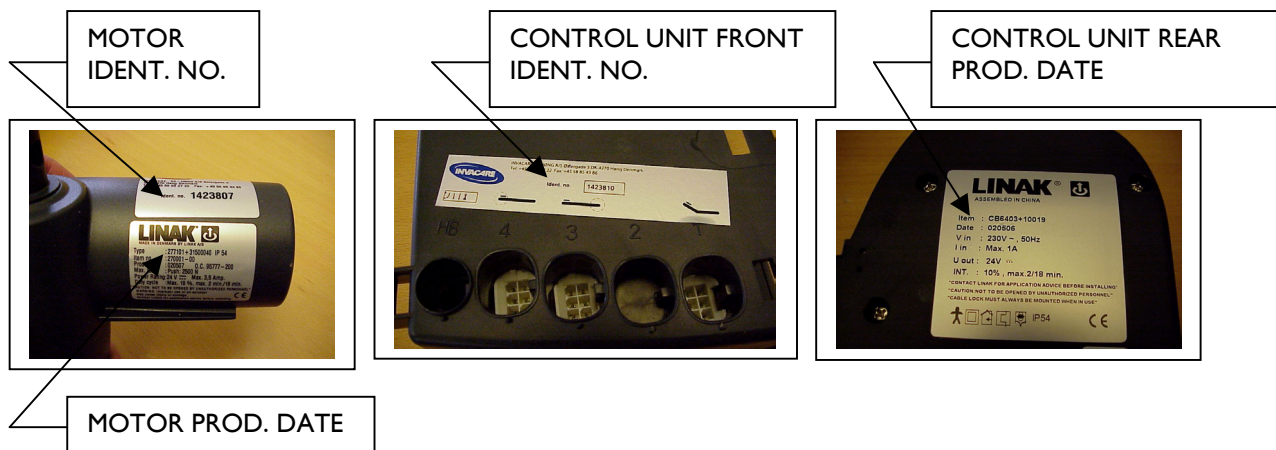
Support, handles 38 - 39

Transport fitting 40 - 41

Lifting pole – model 5760 42 – 43

Appendix for S385 and Etude – electrical parts..... 44 - 46

When placing an order for motors and control unit, please see the photos below.



Information about using this list

Order of wearing parts/exchange kit:

In the table of contents on page 2 you can see where in the list you can find the wanted part/kit.
Wearing parts are sold in exchange kits with an order number for the entire kit.

Order of spare parts:

In the table of contents on page 2 you can see where in the list you can find the wanted part.

Single numbers

Pos.	Ident. No.	Pcs.	Description
13	1423845	1	Hand control box with tilt
14	1423814	1	Hand control box without tilt

Order of a complete unit:

In the table of contents on page 2 you can see where in the list you can find the wanted unit of the bed.

Backrest Motor package

Ident. No.: 1432658

Pos.	Pcs.	Description
2	1	Lock cam for Control unit
5	2	Pipe pin \varnothing 10x50
6	1	Motor 24V – backrest
16	1	Cable – 200 mm

Example:

Needed: New cable for backrest motor (identical for 2- and 4-sectioned mattress supports).

Action: This cable is only available in the “Allround cable package” (pg. 4, 8, 12, 18 or 22) or in the “Backrest Motor package” (pg. 4, 8 or 12).

If you choose the “Allround cable package” you will get all cables available for the Invacare® Etude bed.

If the “Backrest Motor package” is chosen you will get the cable together with the backrest motor, a lock cam and two pipe pins.

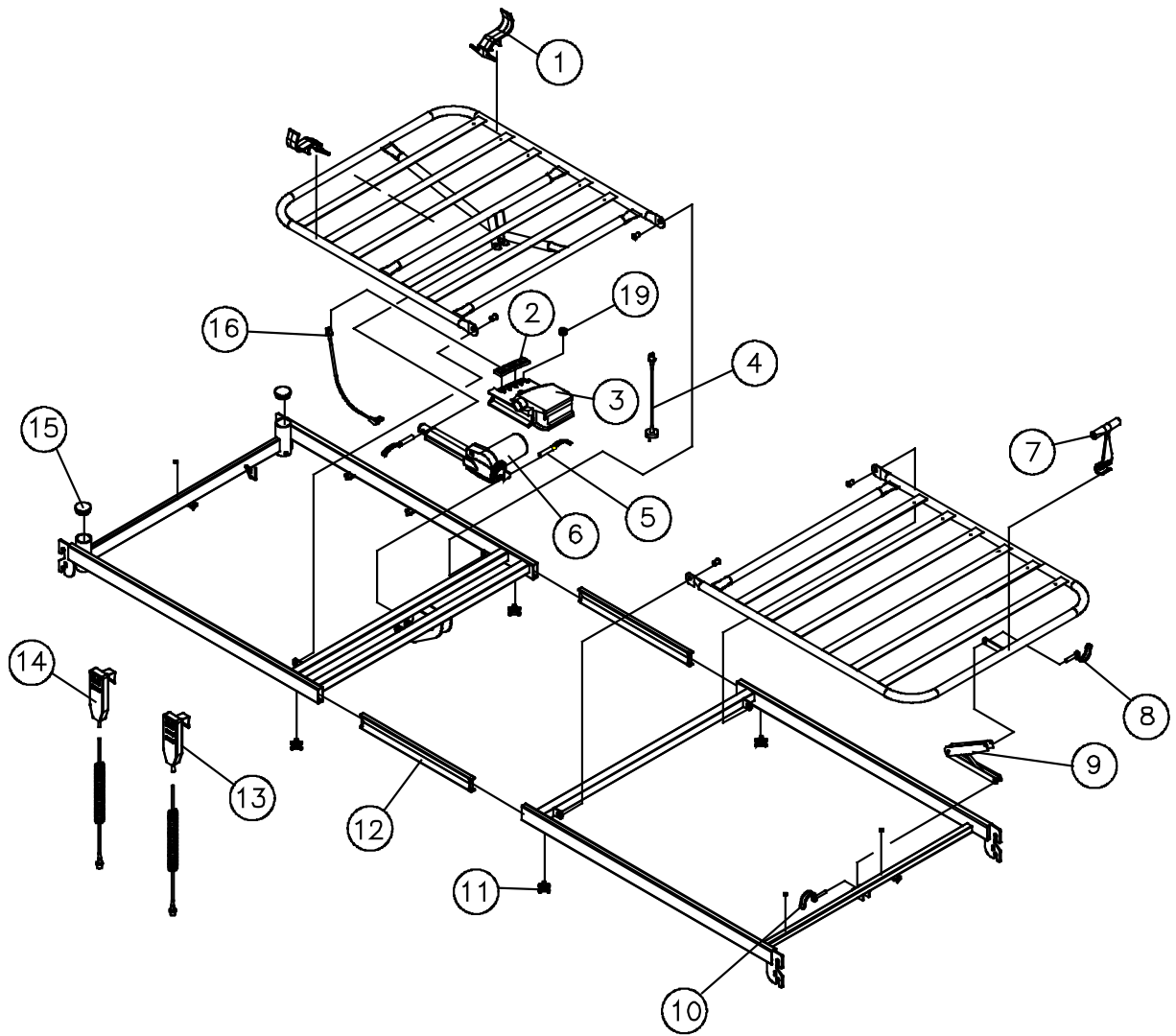
NOTE: Only the 4 sectioned mattress support is applicable to the UK.

Control unit package

<i>Ident. No.</i>	<i>Pos.</i>	<i>Pcs.</i>	<i>Description</i>
1432659	2	1	Lock cam for control unit
	3	1	Control unit 230V - EU, UK, AUS/NZ
	4	1	Net cable 3200 mm – EU mains (ETUDE.CE---.XX)
1432660	2	1	Lock cam for control unit
	3	1	Control unit 230V - EU, UK, AUS/NZ
	4	1	Net cable 3200 mm – UK mains (ETUDE.CU---.XX)
1432661	2	1	Lock cam for control unit
	3	1	Control unit 230V - EU, UK, AUS/NZ
	4	1	Net cable 3200 mm – AUS/NZ mains (ETUDE.CA---.XX)
1432662	2	1	Lock cam for control unit
	3	1	Control unit 120V – CDN
	4	1	Net cable 3200 mm – CDN mains (ETUDE.CC---.XX)
1432663	2	1	Lock cam for control unit
	3	1	Control unit 100 V JPN
	4	1	Net cable 3200 mm – JPN mains (ETUDE.CJ---.XX)
	19	1	Plug

Allround cable package

<i>Ident. No.</i>	<i>Pos.</i>	<i>Pcs.</i>	<i>Description</i>
1432664	2	1	Lock cam for control unit
	4	1	Net cable 3200 mm – EU mains
		1	Cable – 1250 mm + 150 mm twist
	16	1	Cable – 200 mm
		1	Cable – 1250 mm
1432665	2	1	Lock cam for control unit
	4	1	Net cable 3200 mm – UK mains
		1	Cable – 1250 mm + 150 mm twist
	16	1	Cable – 200 mm
		1	Cable – 1250 mm
1432666	2	1	Lock cam for control unit
	4	1	Net cable 3200 mm – AUS/NZ mains
		1	Cable – 1250 mm + 150 mm twist
	16	1	Cable – 200 mm
		1	Cable – 1250 mm
1432667	2	1	Lock cam for control unit
	4	1	Net cable 3200 mm – CDN mains
		1	Cable – 1250 mm + 150 mm twist
	16	1	Cable – 200 mm
		1	Cable – 1250 mm
1432668	2	1	Lock cam for control unit
	4	1	Net cable 3200 mm – JPN mains
		1	Cable – 1250 mm + 150 mm twist
	16	1	Cable – 200 mm
		1	Cable – 1250 mm



2-sectioned mattress support without tilt EN 1970 / with tilt "EN 1970".

Page 3 of 4

Ident. No.: 2-sectioned mattress support without tilt EN 1970/ with tilt "EN 1970": ETUDE.CXXXXX.XX

September 2003

Backrest Motor package

Ident. No.: 1432658

Pos.	Pcs.	Description
2	1	Lock cam for Control unit
5	2	Pipe pin $\varnothing 10 \times 50$
6	1	Motor 24V – backrest
16	1	Cable – 200 mm

Raise fitting package

Ident. No.: 1432840

Pos.	Pcs.	Description
8	1	Pipe pin $\varnothing 6 \times 32$
9	1	Raise fitting
10	1	Pipe pin $\varnothing 8 \times 40$

Plastic package

Ident. No.: 1427774

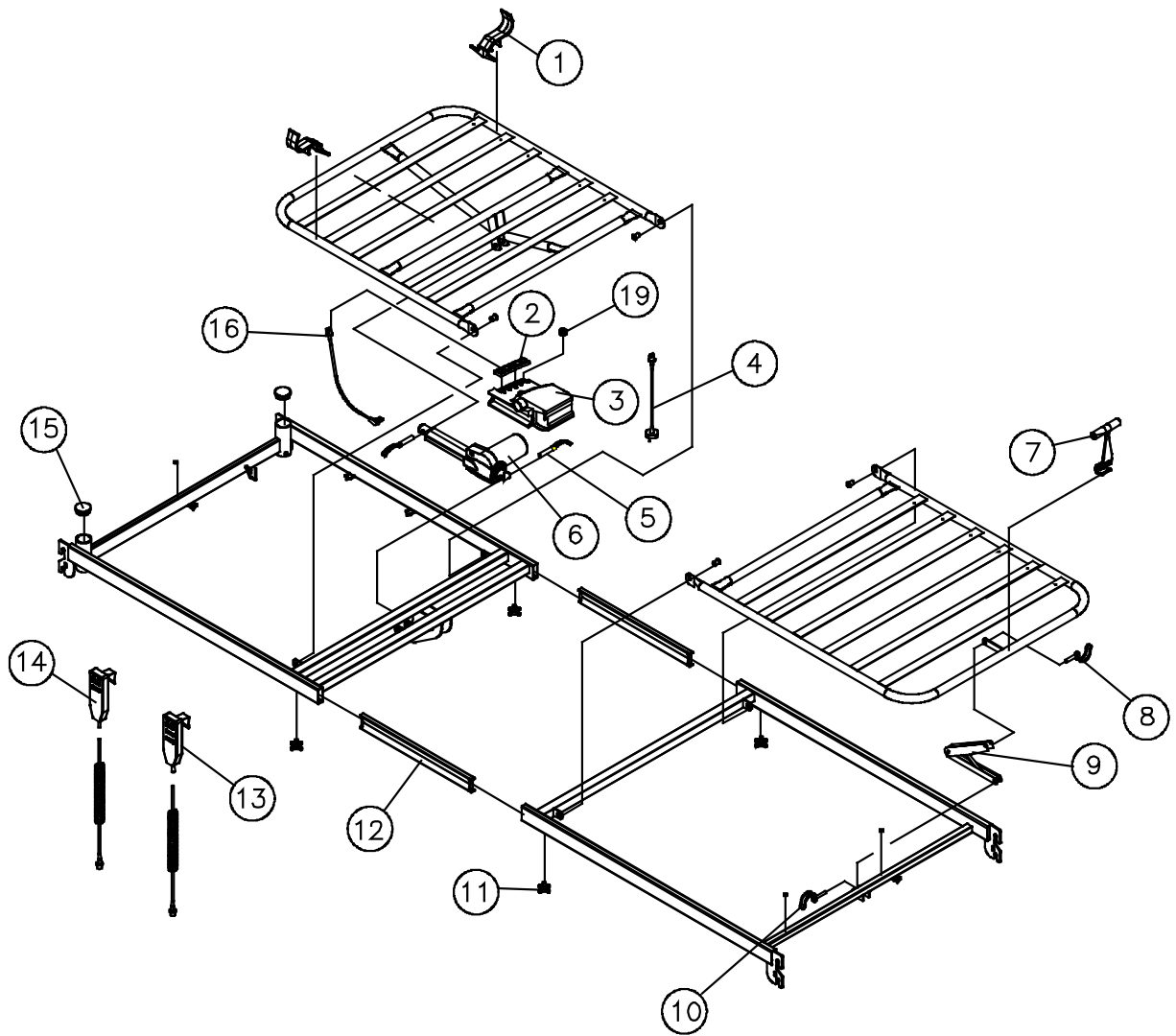
Pos.	Pcs.	Description
1	2	Handle for mattress, low
2	1	Lock cam for Control unit
7	1	Plastic handle
15	2	Butt knob, grey

Insertion tube package

Ident. No.	Pos.	Pcs.	Description
1427775	11	4	Thumb screw M8x20
	12	2	Insertion tube
1432764	11	4	Thumb screw M8x20 UK
	12	2	Insertion tube

Single numbers

Pos.	Ident. No.	Pcs.	Description
13	1423845	1	Hand control box with tilt
14	1423814	1	Hand control box without tilt

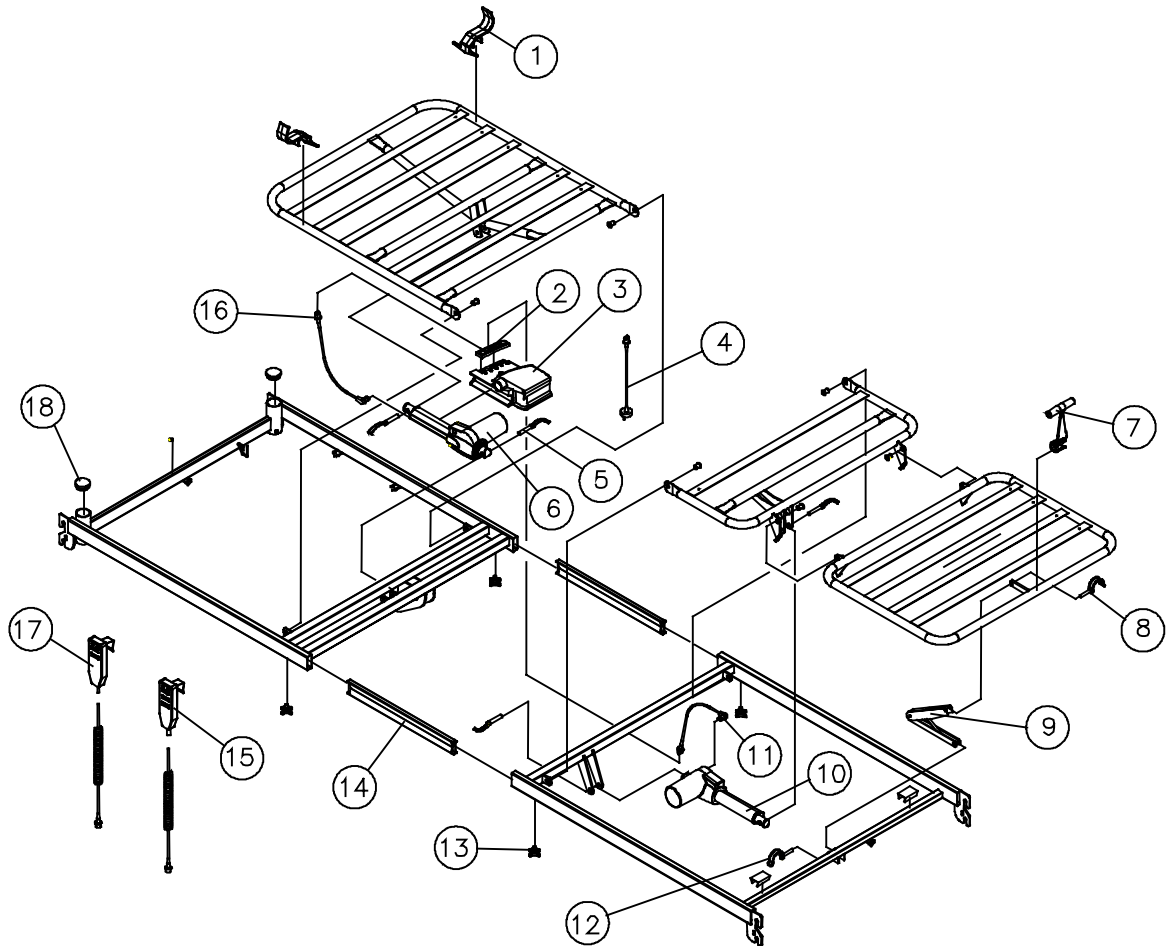


Control unit package

<i>Ident. No.</i>	<i>Pos.</i>	<i>Pcs.</i>	<i>Description</i>
1432669	2	1	Lock cam for control unit
	3	1	Control unit 230V EU, UK, AUS/NZ
	4	1	Net cable 3200 mm – EU mains (ETUDE.EE---.XX), (ETUDE.GE---.XX)
1432670	2	1	Lock cam for control unit
	3	1	Control unit 230V EU, UK, AUS/NZ
	4	1	Net cable 3200 mm – UK mains (ETUDE.EU---.XX), (ETUDE.GU---.XX)
1432671	2	1	Lock cam for control unit
	3	1	Control unit 230V EU, UK, AUS/NZ
	4	1	Net cable 3200 mm – AUS/NZ mains (ETUDE.EA---.XX), (ETUDE.GA---.XX)
1432672	2	1	Lock cam for control unit
	3	1	Control unit 120V CDN
	4	1	Net cable 3200 mm – CDN mains (ETUDE.EC---.XX), (ETUDE.GC---.XX)
1432673	2	1	Lock cam for control unit
	3	1	Control unit 100 V JPN
	4	1	Net cable 3200 mm – JPN mains (ETUDE.EJ---.XX), (ETUDE.GJ---.XX)

Allround cable package

<i>Ident. No.</i>	<i>Pos.</i>	<i>Pcs.</i>	<i>Description</i>
1432664	2	1	Lock cam for control unit
	4	1	Net cable 3200 mm – EU mains
		1	Cable – 1250 mm + 150 mm twist
	16	1	Cable – 200 mm
	11	1	Cable – 1250 mm
1432665	2	1	Lock cam for control unit
	4	1	Net cable 3200 mm – UK mains
		1	Cable – 1250 mm + 150 mm twist
	16	1	Cable – 200 mm
	11	1	Cable – 1250 mm
1432666	2	1	Lock cam for control unit
	4	1	Net cable 3200 mm – AUS/NZ mains
		1	Cable – 1250 mm + 150 mm twist
	16	1	Cable – 200 mm
	11	1	Cable – 1250 mm
1432667	2	1	Lock cam for control unit
	4	1	Net cable 3200 mm – CDN mains
		1	Cable – 1250 mm + 150 mm twist
	16	1	Cable – 200 mm
	11	1	Cable – 1250 mm
1432668	2	1	Lock cam for control unit
	4	1	Net cable 3200 mm – JPN mains
		1	Cable – 1250 mm + 150 mm twist
	16	1	Cable – 200 mm
	11	1	Cable – 1250 mm



4-sectioned mattress support without tilt EN 1970 / with tilt "EN 1970".

Page 3 of 4

Ident. No.: 4-sectioned mattress support without tilt EN 1970/ with tilt "EN 1970": ETUDE.EXXXX.XX

September 2003

Backrest Motor package

Ident. No.: 1432658

<i>Pos.</i>	<i>Pcs.</i>	<i>Description</i>
2	1	Lock cam for Control unit
5	2	Pipe pin $\varnothing 10 \times 50$
6	1	Motor 24V – backrest
16	1	Cable – 200 mm

Motor package - thigh and leg section

Ident. No.: 1432674

<i>Pos.</i>	<i>Pcs.</i>	<i>Description</i>
2	1	Lock cam for control unit
5	2	Pipe pin $\varnothing 10 \times 50$
10	1	Motor 24V – leg section
11	1	Cable – 1250 mm

Raise fitting package

Ident. No.: 1427773

<i>Pos.</i>	<i>Pcs.</i>	<i>Description</i>
8	1	Pipe pin $\varnothing 8 \times 40$
9	1	Raise fitting
12	1	Pipe pin $\varnothing 6 \times 32$

Plastic package

Ident. No.: 1427774

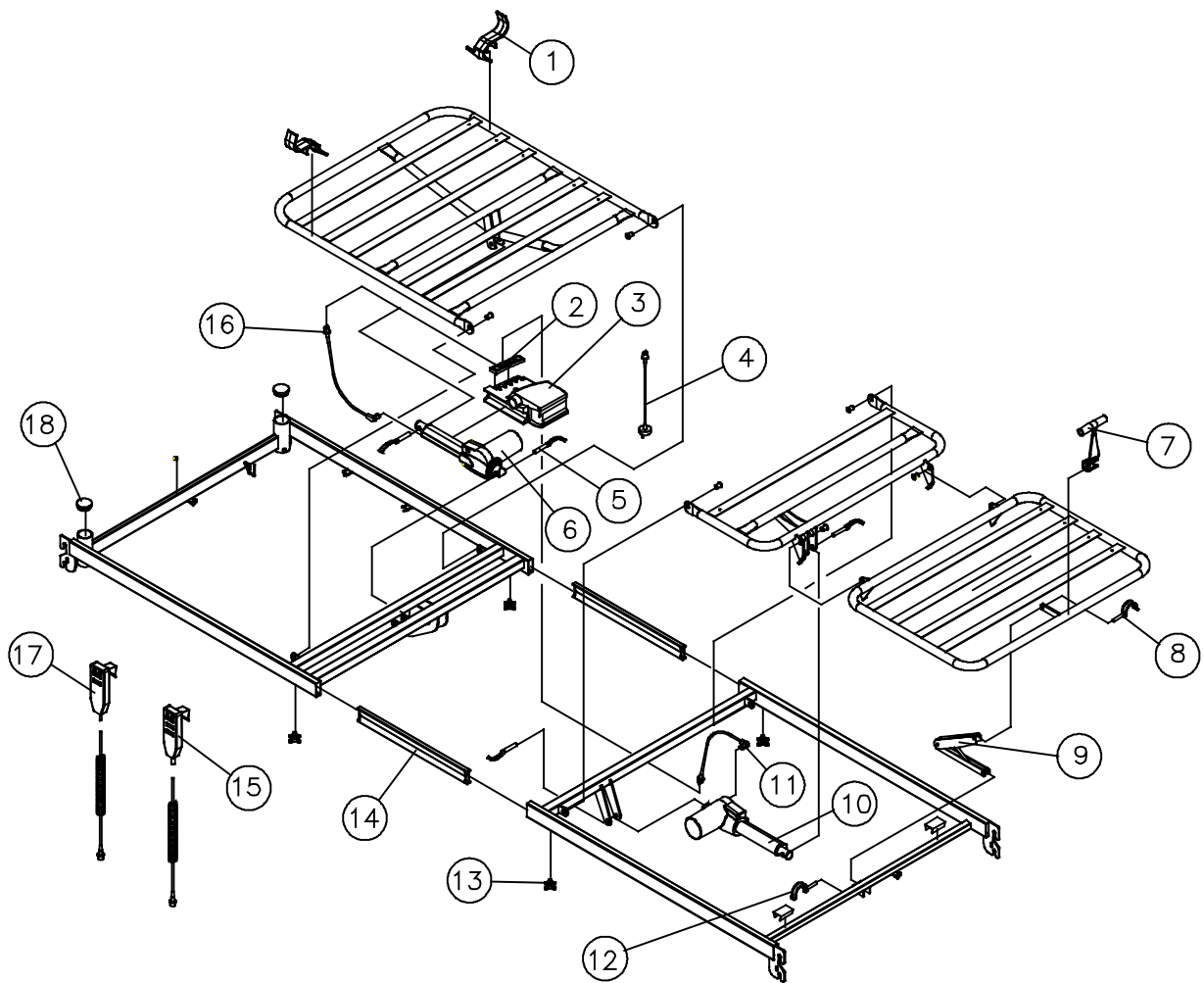
<i>Pos.</i>	<i>Pcs.</i>	<i>Description</i>
1	2	Handle for mattress, low
2	1	Lock cam for Control unit
7	1	Plastic handle
18	2	Butt knob, grey

Insertion tube package

<i>Ident. No.</i>	<i>Pos.</i>	<i>Pcs.</i>	<i>Description</i>
1427775	13	4	Thumb screw M8x20
	14	2	Insertion tube
1432764	13	4	Thumb screw M8x20 UK
	14	2	Insertion tube

Single numbers

<i>Pos.</i>	<i>Ident. No.</i>	<i>Pcs.</i>	<i>Description</i>
15	1423846	1	Hand control box with tilt
17	1423815	1	Hand control box without tilt

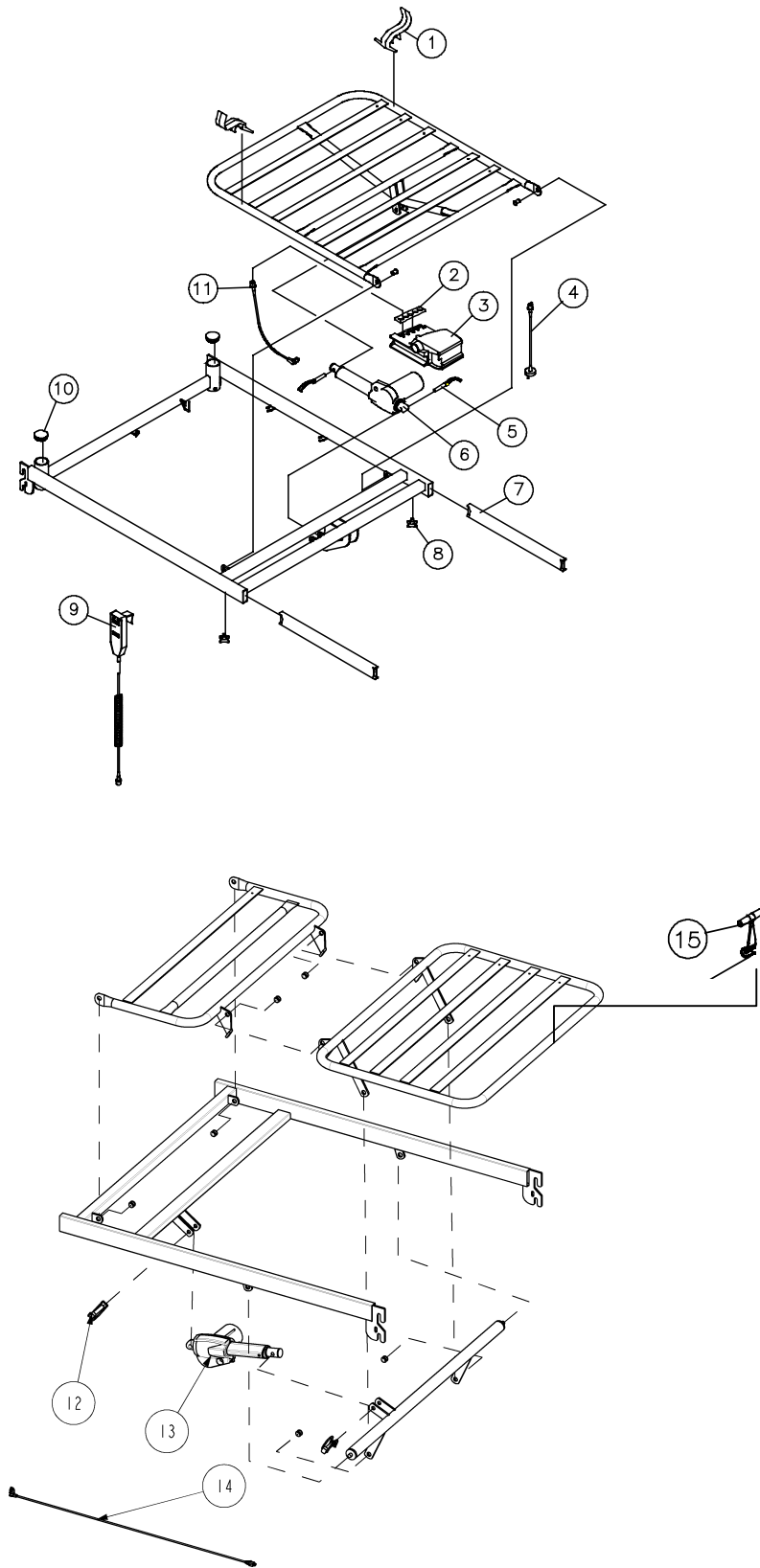


Control unit package

<i>Ident. No.</i>	<i>Pos.</i>	<i>Pcs.</i>	<i>Description</i>
1432669	2	1	Lock cam for Control unit
	3	1	Control unit 230V EU, UK, AUS/NZ
	4	1	Net cable 3200 mm – EU mains (ETUDE.GE---.XX), (ETUDE.EE---.XX)
1432670	2	1	Lock cam for Control unit
	3	1	Control unit 230V EU, UK, AUS/NZ
	4	1	Net cable 3200 mm – UK mains (ETUDE.GU---.XX), (ETUDE.EU---.XX)
1432671	2	1	Lock cam for Control unit
	3	1	Control unit 230V EU, UK, AUS/NZ
	4	1	Net cable 3200 mm – AUS/NZ mains (ETUDE.GA---.XX), (ETUDE.EA---.XX)
1432672	2	1	Lock cam for Control unit
	3	1	Control unit 120V CDN
	4	1	Net cable 3200 mm – CDN mains (ETUDE.GC---.XX), (ETUDE.EC---.XX)
1432673	2	1	Lock cam for Control unit
	3	1	Control unit 100 V JPN
	4	1	Net cable 3200 mm – JPN mains (ETUDE.GJ---.XX), (ETUDE.EJ---.XX)

Allround cable package

<i>Ident. No.</i>	<i>Pos.</i>	<i>Pcs.</i>	<i>Description</i>
1432664	2	1	Lock cam for control unit
	4	1	Net cable 3200 mm – EU mains
		1	Cable – 1250 mm + 150 mm twist
	11	1	Cable – 200 mm
	14	1	Cable – 1250 mm
1432665	2	1	Lock cam for control unit
	4	1	Net cable 3200 mm – UK mains
		1	Cable – 1250 mm + 150 mm twist
	11	1	Cable – 200 mm
	14	1	Cable – 1250 mm
1432666	2	1	Lock cam for control unit
	4	1	Net cable 3200 mm – AUS/NZ mains
		1	Cable – 1250 mm + 150 mm twist
	11	1	Cable – 200 mm
	14	1	Cable – 1250 mm
1432667	2	1	Lock cam for control unit
	4	1	Net cable 3200 mm – CDN mains
		1	Cable – 1250 mm + 150 mm twist
	11	1	Cable – 200 mm
	14	1	Cable – 1250 mm
1432668	2	1	Lock cam for control unit
	4	1	Net cable 3200 mm – JPN mains
		1	Cable – 1250 mm + 150 mm twist
	11	1	Cable – 200 mm
	14	1	Cable – 1250 mm



Backrest Motor package

Ident. No.: 1432658

Pos.	Pcs.	Description
2	1	Lock cam for Control unit
5	2	Pipe pin ø10x50
6	1	Motor 24V – backrest
11	1	Cable – 200 mm

Motor package - thigh and leg section

Ident. No.: 1432674

Pos.	Pcs.	Description
2	1	Lock cam for control unit
5	2	Pipe pin ø10x50
13	1	Motor 24V – leg section
14	1	Cable – 1250 mm

Plastic package

Ident. No.: 1427774

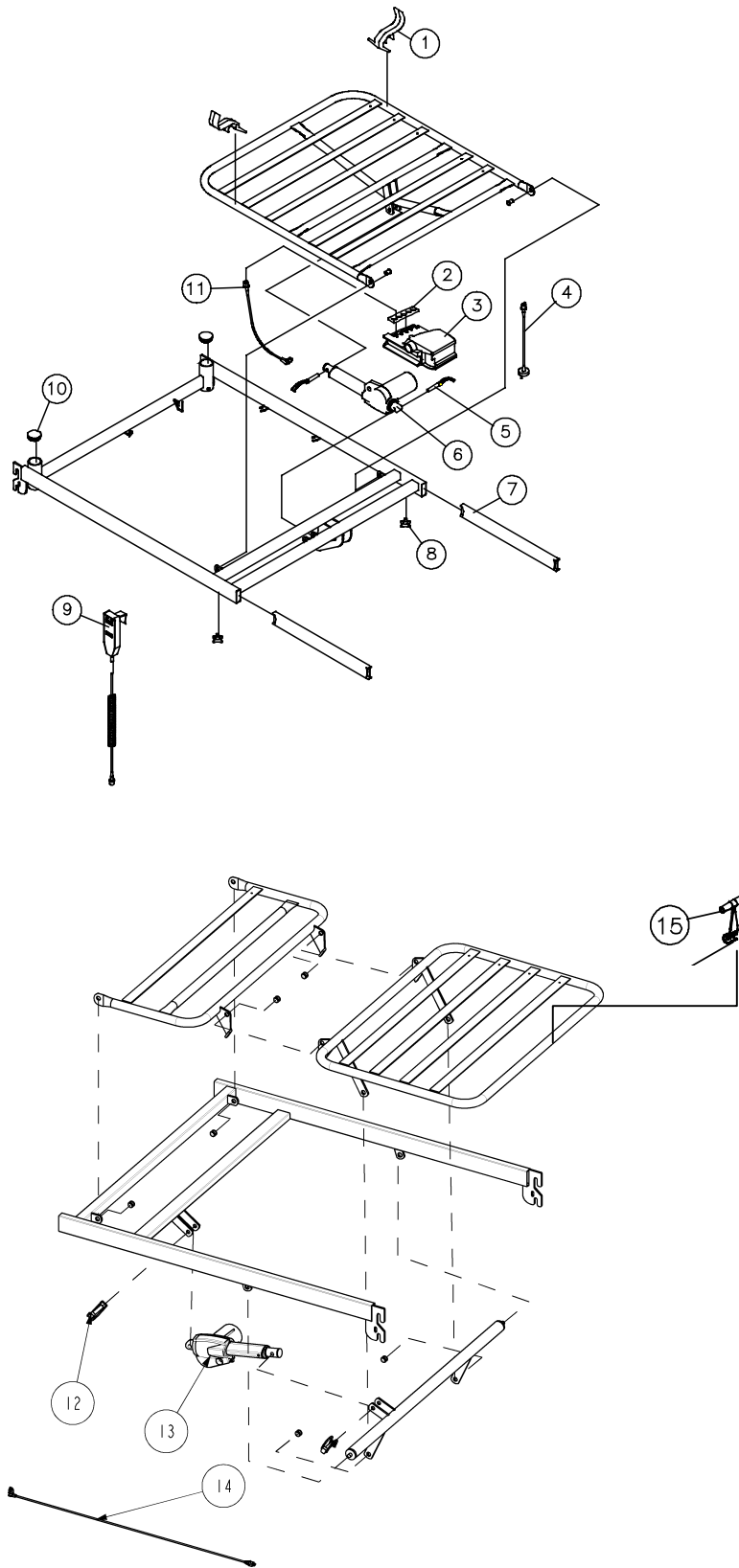
Pos.	Pcs.	Description
1	2	Handle for mattress, low
2	1	Lock cam for Control unit
10	2	Butt knob, grey
15	1	Plastic handle

Insertion tube package

Ident. No.	Pos.	Pcs.	Description
1427775	8	4	Thumb screw M8x20
	7	2	Insertion tube
1432764	8	4	Thumb screw M8x20 UK
	7	2	Insertion tube

Single numbers

Pos.	Ident. No.	Pcs.	Description
9	1423815	1	Hand control box without tilt



Mattress Support Extension

Ident. No.: Mattress support extension – 10 cm: I423993-XXXX

Ident. No.: Mattress support extension – 20 cm: I423994-XXXX

September 2003

Single numbers

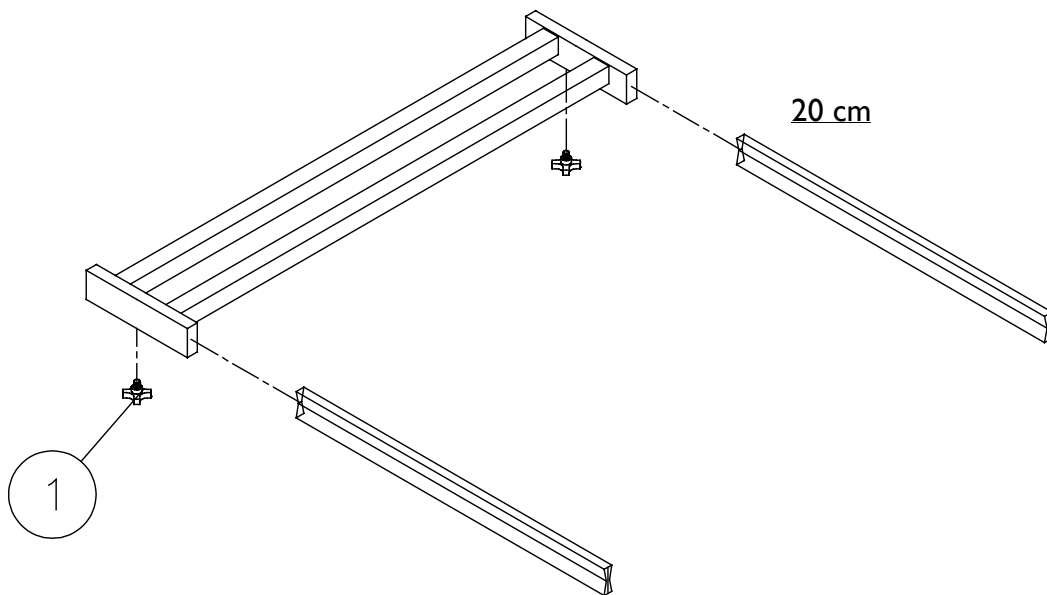
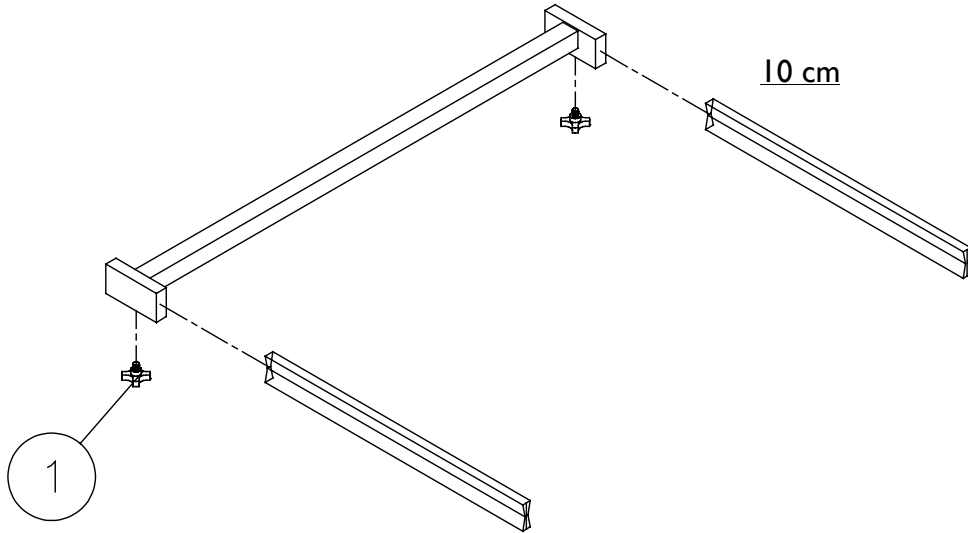
Pos.	Ident. No.: 10 cm	Ident. No.: 20 cm	Pcs.	Description
1	818313	818313	2	Thumb screw

Mattress Support Extension

Ident. No.: Mattress support extension – 10 cm: I423993-XXXX

Ident. No.: Mattress support extension – 20 cm: I423994-XXXX

September 2003



Allround cable package

<i>Ident. No.</i>	<i>Pos.</i>	<i>Pcs.</i>	<i>Description</i>
1432664		1	Lock cam for control unit
		1	Net cable 3200 mm – EU mains
	10	1	Cable – 1250 mm + 150 mm twist
		2	Cable – 200 mm
		1	Cable – 1250 mm
1432665		1	Lock cam for control unit
		1	Net cable 3200 mm – UK mains
	10	1	Cable – 1250 mm + 150 mm twist
		2	Cable – 200 mm
		1	Cable – 1250 mm
1432666		1	Lock cam for control unit
		1	Net cable 3200 mm – AUS/NZ mains
	10	1	Cable – 1250 mm + 150 mm twist
		2	Cable – 200 mm
		1	Cable – 1250 mm
1432667		1	Lock cam for control unit
		1	Net cable 3200 mm – CDN mains
	10	1	Cable – 1250 mm + 150 mm twist
		2	Cable – 200 mm
		1	Cable – 1250 mm
1432668		1	Lock cam for control unit
		1	Net cable 3200 mm – JPN mains
	10	1	Cable – 1250 mm + 150 mm twist
		2	Cable – 200 mm
		1	Cable – 1250 mm

Telescopic leg package

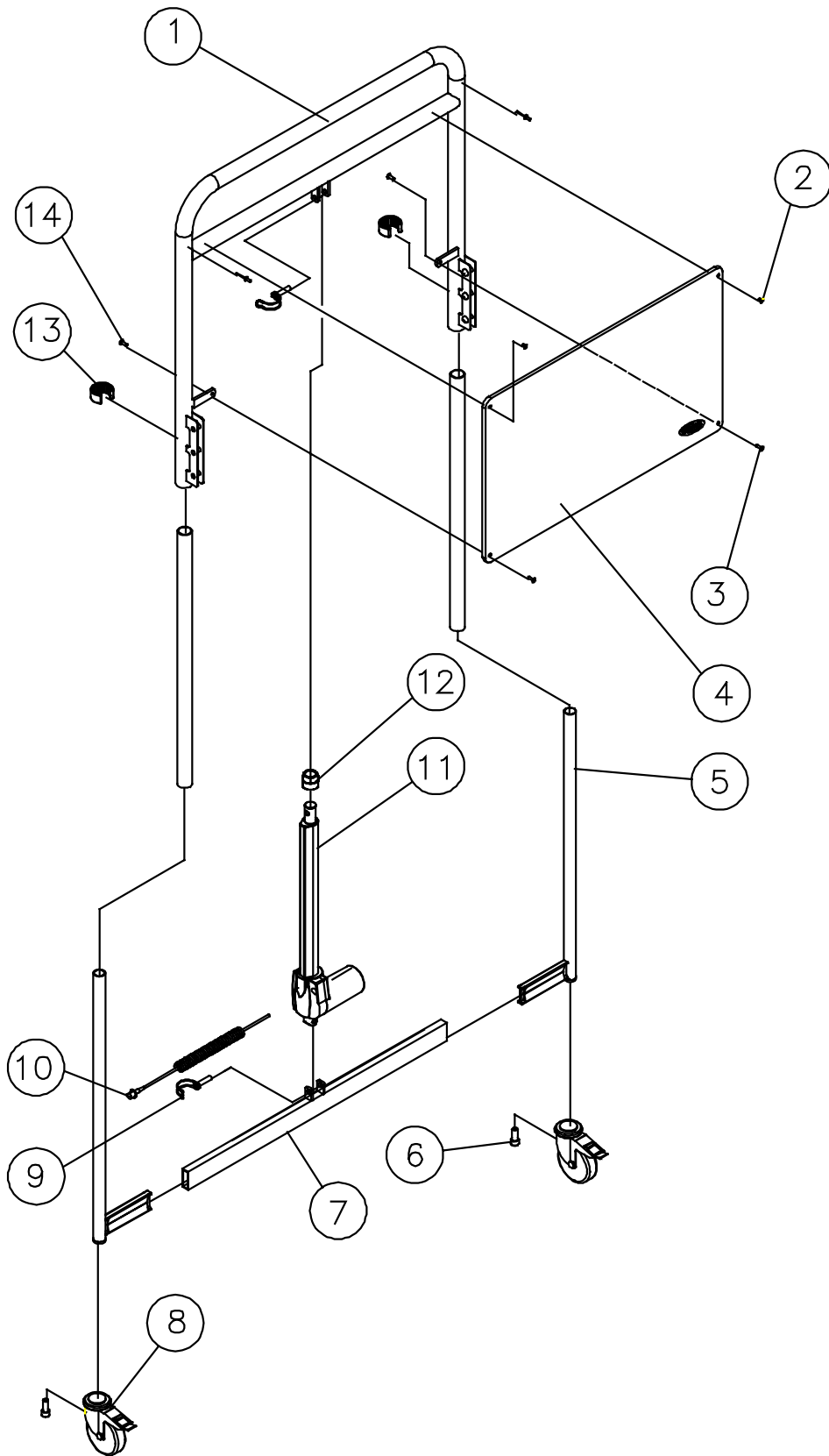
Ident. No.: 1432681

<i>Pos.</i>	<i>Pcs.</i>	<i>Description</i>
5	4	Telescopic leg
7	2	Spacer piece

Bed end package

Ident. No.: 1432682

<i>Pos.</i>	<i>Pcs.</i>	<i>Description</i>
2	4	Pop rivet RH 4,8x10
3	4	Pop rivet RH 4,8x16
4	2	Bed end
14	4	Cover, female



Motor bed end – 2 pcs. Basic

Ident. No.: ETUDE.000CI. XX

Page 3 of 4

September 2003

Motor package

Ident. No.: I432680

Pos.	Pcs.	Description
9	2	Pipe pin \varnothing 10x50
10	1	Cable LA27 – 1250 mm + 150 mm twist cable
11	1	Motor 24V – LA27
12	1	Plastic cap

Lock package

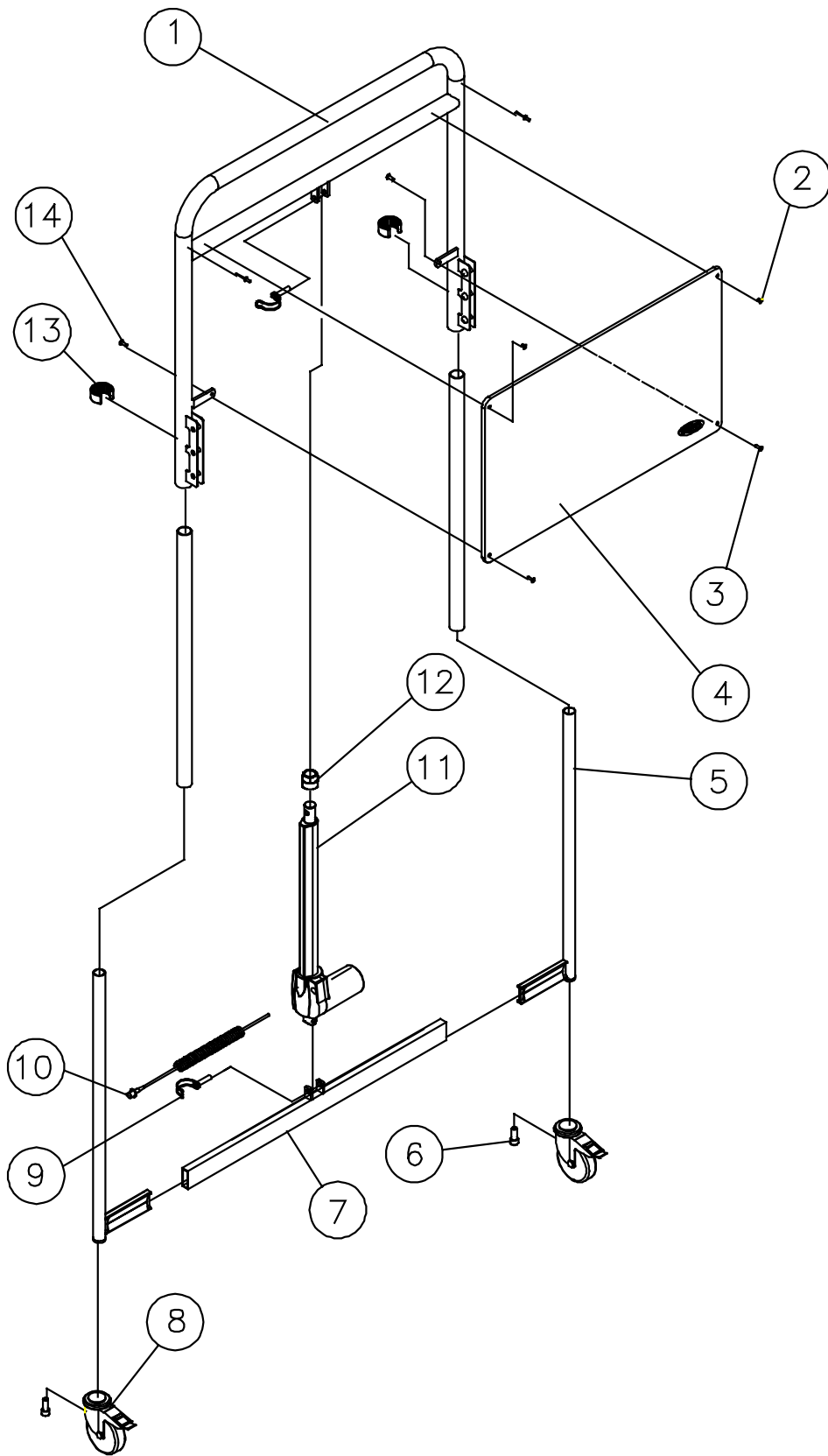
Ident. No.: I432683

Pos.	Pcs.	Description
13	4	Lock ring \varnothing 52x \varnothing 37,5x24

Wheel package

Ident. No.: I432684

Pos.	Pcs.	Description
6	4	Screw M12x30
8	4	Wheel \varnothing 100 mm



Motor bed end – 1 pcs. Classic

Page 1 of 4

Ident. No.: ETUDE.000FI.XX 30 – 70 cm – Low heights

Ident. No.: ETUDE.000EI.XX 40 – 80 cm – Standard heights

September 2003

Allround cable package

Ident. No.	Pos.	Pcs.	Description
1432664		1	Lock cam for control unit
		1	Net cable 3200 mm – EU mains
	17	1	Cable – 1250 mm + 150 mm twist
		2	Cable – 200 mm
		1	Cable – 1250 mm
1432665		1	Lock cam for control unit
		1	Net cable 3200 mm – UK mains
	17	1	Cable – 1250 mm + 150 mm twist
		2	Cable – 200 mm
		1	Cable – 1250 mm
1432666		1	Lock cam for control unit
		1	Net cable 3200 mm – AUS/NZ mains
	17	1	Cable – 1250 mm + 150 mm twist
		2	Cable – 200 mm
		1	Cable – 1250 mm
1432667		1	Lock cam for control unit
		1	Net cable 3200 mm – CDN mains
	17	1	Cable – 1250 mm + 150 mm twist
		2	Cable – 200 mm
		1	Cable – 1250 mm
1432668		1	Lock cam for control unit
		1	Net cable 3200 mm – JPN mains
	17	1	Cable – 1250 mm + 150 mm twist
		2	Cable – 200 mm
		1	Cable – 1250 mm

Motor package

Ident. No.: 1432822

Pos.	Pcs.	Description
9	2	Pipe pin \varnothing 10x50
15	1	Plastic cap
16	1	Motor 24V – LA27
17	1	Cable LA27 – 1250 mm + 150 mm twist cable

Wheel package

Ident. No.: 1432685

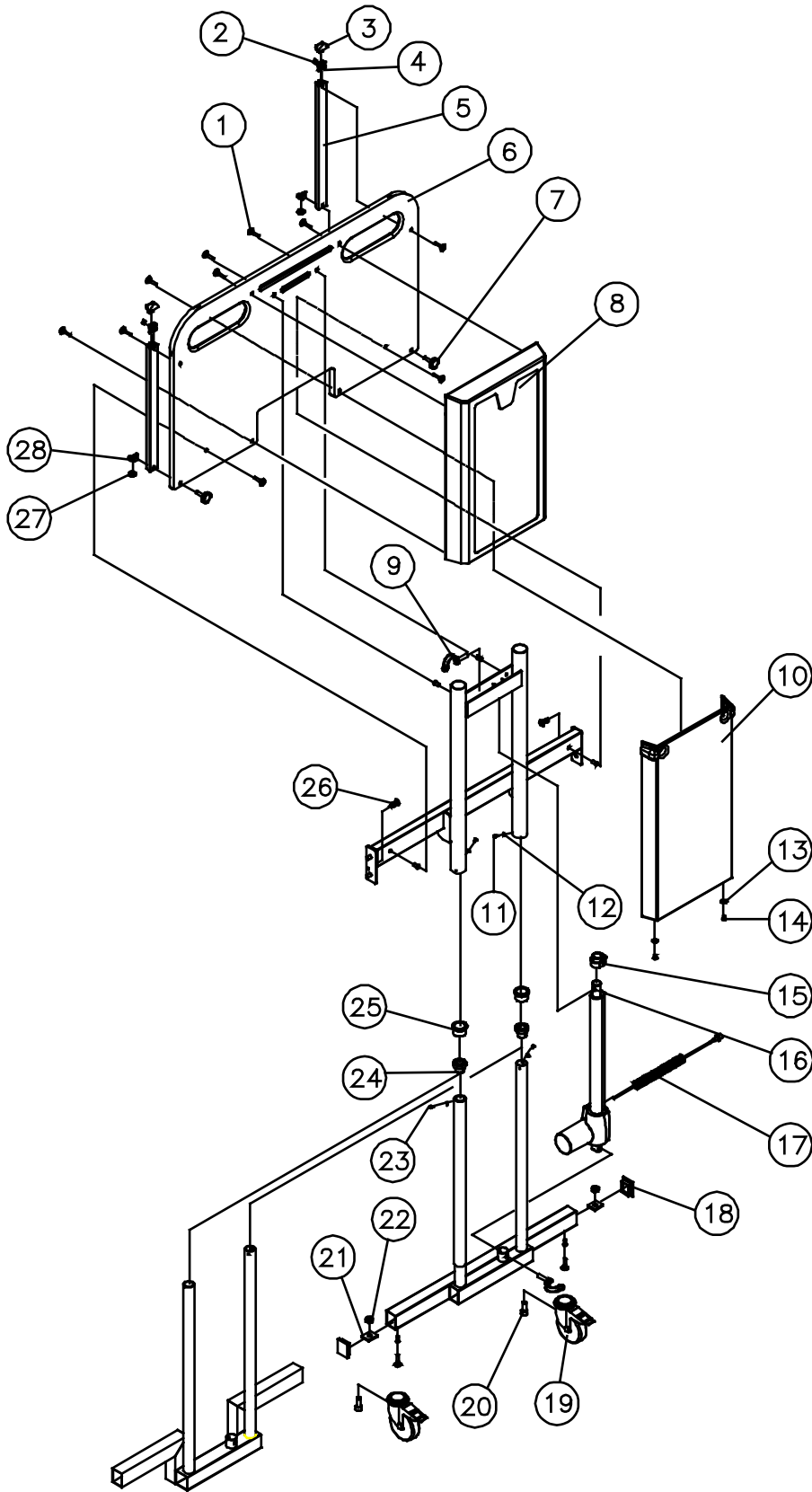
Pos.	Pcs.	Description
18	2	Ferrule 50x40
19	2	Wheel \varnothing 100 mm
20	2	Screw M12x30
21	2	Lap
22	2	Lock nut M12

Motor bed end - 1 pcs. Classic

Ident. No.: ETUDE.000F1.XX 30 - 70 cm - Low heights

Ident. No.: ETUDE.000E1.XX 40 - 80 cm - Standard heights

September 2003



Motor bed end – 1 pcs. Classic

Page 3 of 4

Ident. No.: ETUDE.000F1.XX 30 – 70 cm – Low heights

Ident. No.: ETUDE.000E1.XX 40 – 80 cm – Standard heights

September 2003

Cover package

Ident. No.: I432686

Pos.	Pcs.	Description
1	10	Furniture screw M6x35
8	1	Cover, outer
10	1	Cover, inner
13	2	Shield washer M6
14	2	Screw M6x10

Slide bar package

Ident. No.: I432687

Pos.	Pcs.	Description
2	2	Nut M6
3	2	Ferrules
4	2	Plastic bearing
5	2	Slide bar
7	2	Adjusting screw M6x40
26	2	Quick lock with trail
27	2	Buffer
28	2	End stop

Screw package

Ident. No.: I432688

Pos.	Pcs.	Description
11	4	Screw M4x6
12	4	Washer M4
23	4	Screw, M3,5x8
24	2	Slide plug for telescopic leg
25	2	Slide plug for bed end

Single numbers

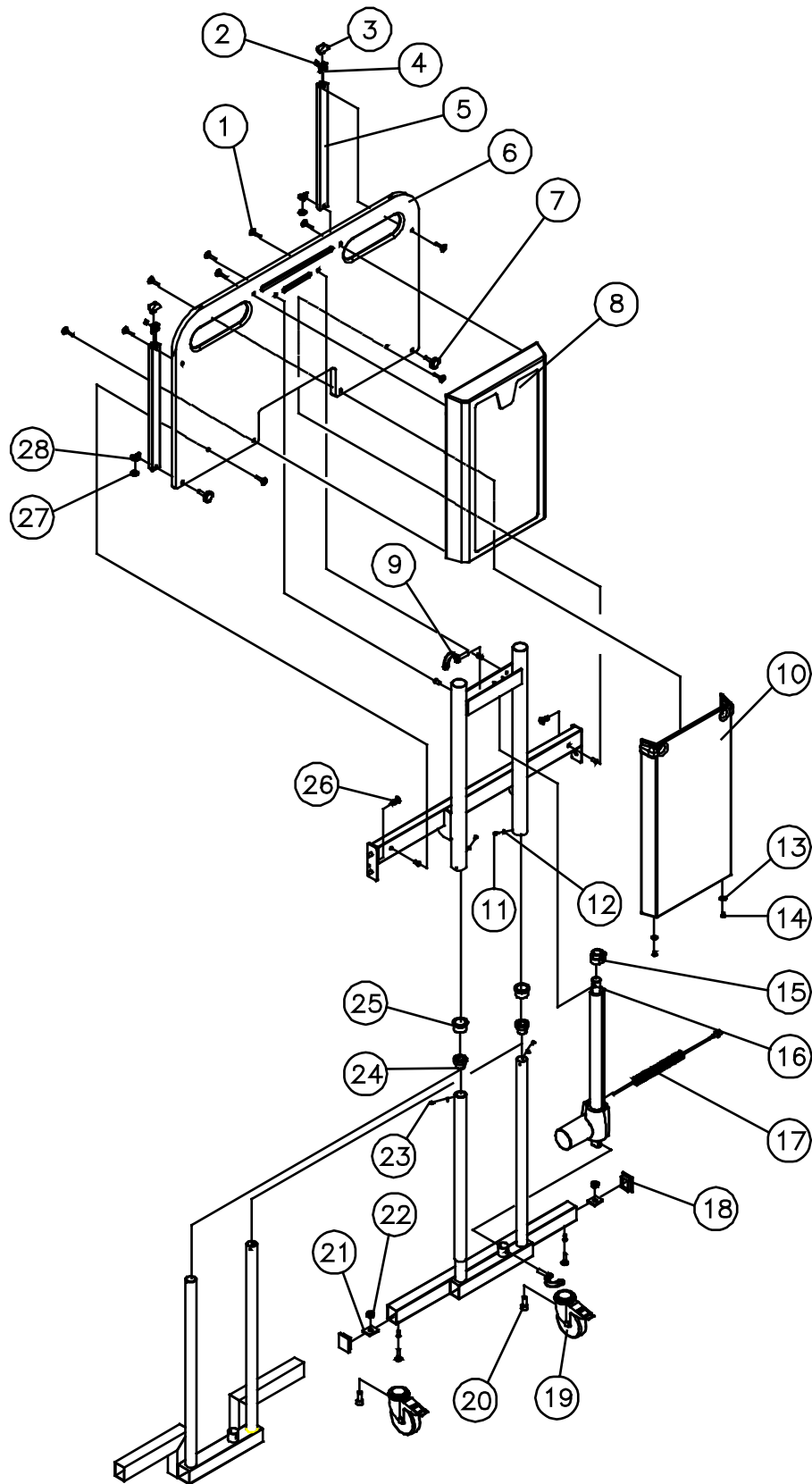
Pos.	Ident. No.	Pcs.	Description
6	I427607-0101	1	Bed end
26	I417838	2	Quick lock with trail

Motor bed end - 1 pcs. Classic

Ident. No.: ETUDE.000FI.XX 30 - 70 cm - Low heights

Ident. No.: ETUDE.000EI.XX 40 - 80 cm - Standard heights

September 2003



Allround cable package

Ident. No.	Pos.	Pcs.	Description
1432664		1	Lock cam for control unit
		1	Net cable 3200 mm – EU mains
	23	1	Cable – 1250 mm + 150 mm twist
		2	Cable – 200 mm
		1	Cable – 1250 mm
1432665		1	Lock cam for control unit
		1	Net cable 3200 mm – UK mains
	23	1	Cable – 1250 mm + 150 mm twist
		2	Cable – 200 mm
		1	Cable – 1250 mm
1432666		1	Lock cam for control unit
		1	Net cable 3200 mm – AUS/NZ mains
	23	1	Cable – 1250 mm + 150 mm twist
		2	Cable – 200 mm
		1	Cable – 1250 mm
1432667		1	Lock cam for control unit
		1	Net cable 3200 mm – CDN mains
	23	1	Cable – 1250 mm + 150 mm twist
		2	Cable – 200 mm
		1	Cable – 1250 mm
1432668		1	Lock cam for control unit
		1	Net cable 3200 mm – JPN mains
	23	1	Cable – 1250 mm + 150 mm twist
		2	Cable – 200 mm
		1	Cable – 1250 mm

Motor package

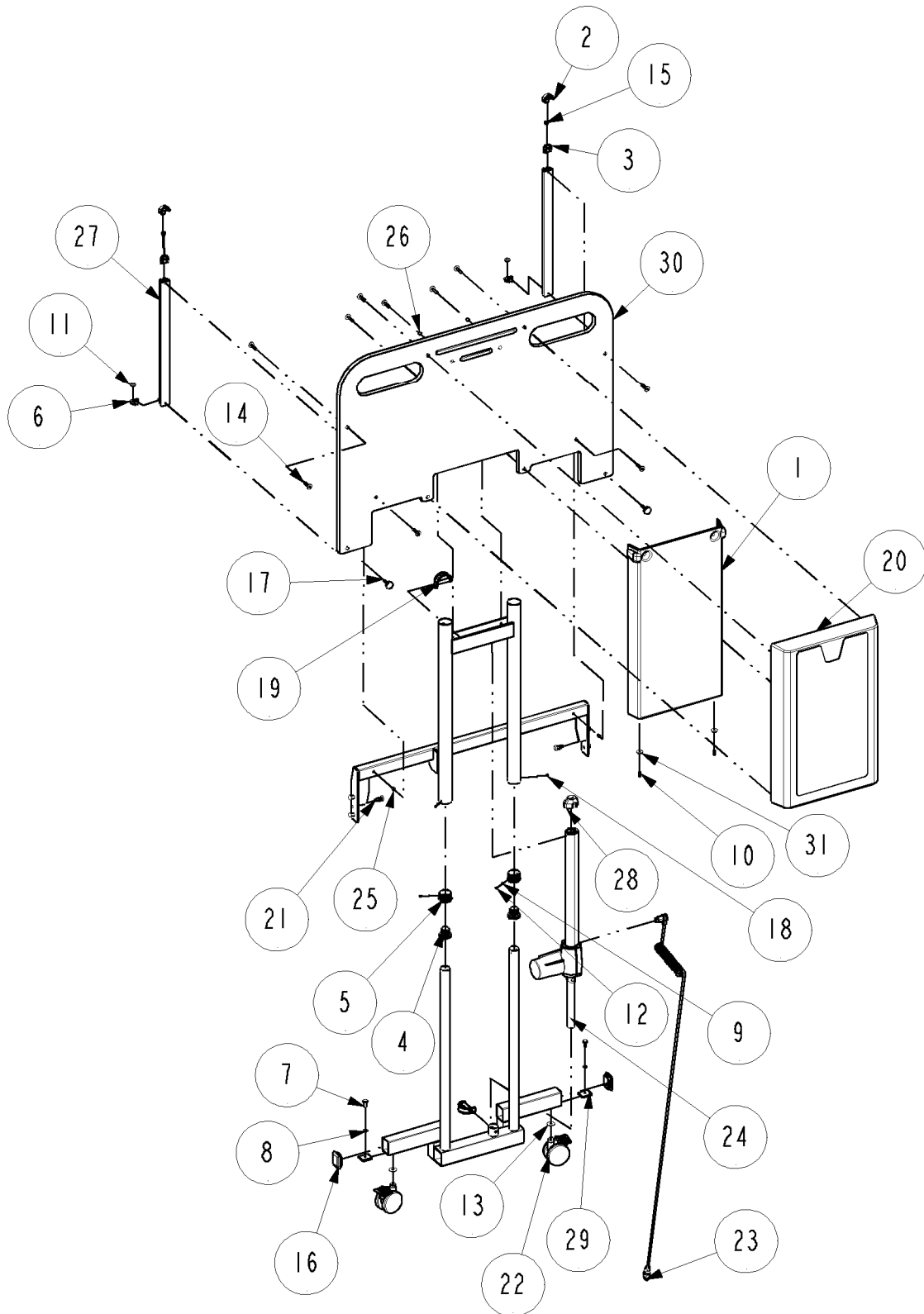
Ident. No.: 1432822

Pos.	Pcs.	Description
19	2	Pipe pin Ø10,0 x 50
23	1	Cable, motor LA27 1250mm + 150mm twist cable
24	1	24 V motor
28	1	Plastic cover

Wheel package

Ident. No.: 1435191

Pos.	Pcs.	Description
7	2	Screw ISO4017M08x020 Elzn
8	2	Washer DIN127B B08 elzn
13	2	Washer DIN9021A ø8 ELZN.
16	2	Ferrule, inside Black, vl 50x40
22	2	Brake castor d 75mm
29	2	Lug



Cover package

Ident. No.: 1432686

Pos.	Pcs.	Description
1	1	Inner shield
10	2	Screw zn ISO7380 M06X016
14	10	Furniture screw M6x35
20	1	Outer shield
31	2	Washer

Slide bar package

Ident. No.: 1435190

Pos.	Pcs.	Description
2	2	End plug
3	2	Plast-holder
6	2	End stop
11	2	Buffer
15	2	Nut DIN557 M6 ELZN
17	2	Regulating screw M6x16
21	2	Quick lock with trail
27	2	Slide bar

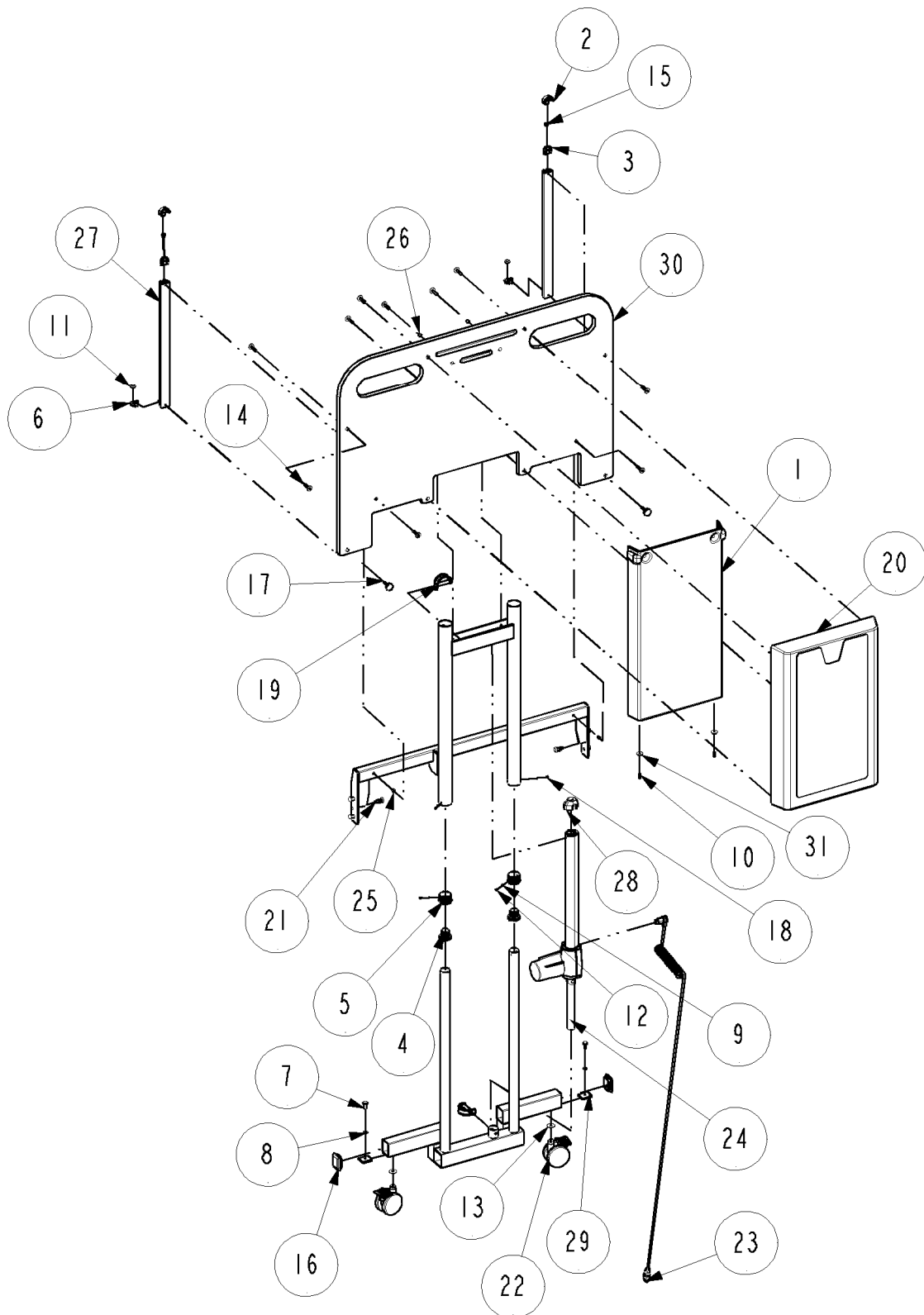
Screw package

Ident. No.: 1432688

Pos.	Pcs.	Description
4	2	Slide plug
5	2	Slide plug
9	4	Washer DIN125A-04 ELZN
12	2	Screw DIN7981-C st.3.5x08
18	2	Screw torx DIN 7045 M4x06 Elzn

Single numbers

Pos.	Ident. No.	Pcs.	Description
30	1427607-0101	1	Bed end
21	1417838	2	Quick lock with trail



Wooden Side rail - BRITT III, BRITT II

Page 1 of 2

Ident. No.: Wooden Side rail BRITT III for 200 cm mattress support : 020434.XX

Ident. No.: Wooden Side rail: BRITT II extended: 019376.XX

September 2003

Slide arrangement

Ident. No.: 020023

Pos.	Pcs.	Description
1	8	Book screw, female
2	2	Screw for chip board ø3x20
6	4	Slide arrangement
7	4	Pin
11	8	Book screw, male

Release package

Ident. No.: 020024

Pos.	Pcs.	Description
2	4	Screw for chip board ø3x20
3	8	Spacer piece for release lever
4	8	Release lever
5	4	Wire
8	4	Ratchet, right
10	4	Ratchet, left

Single numbers

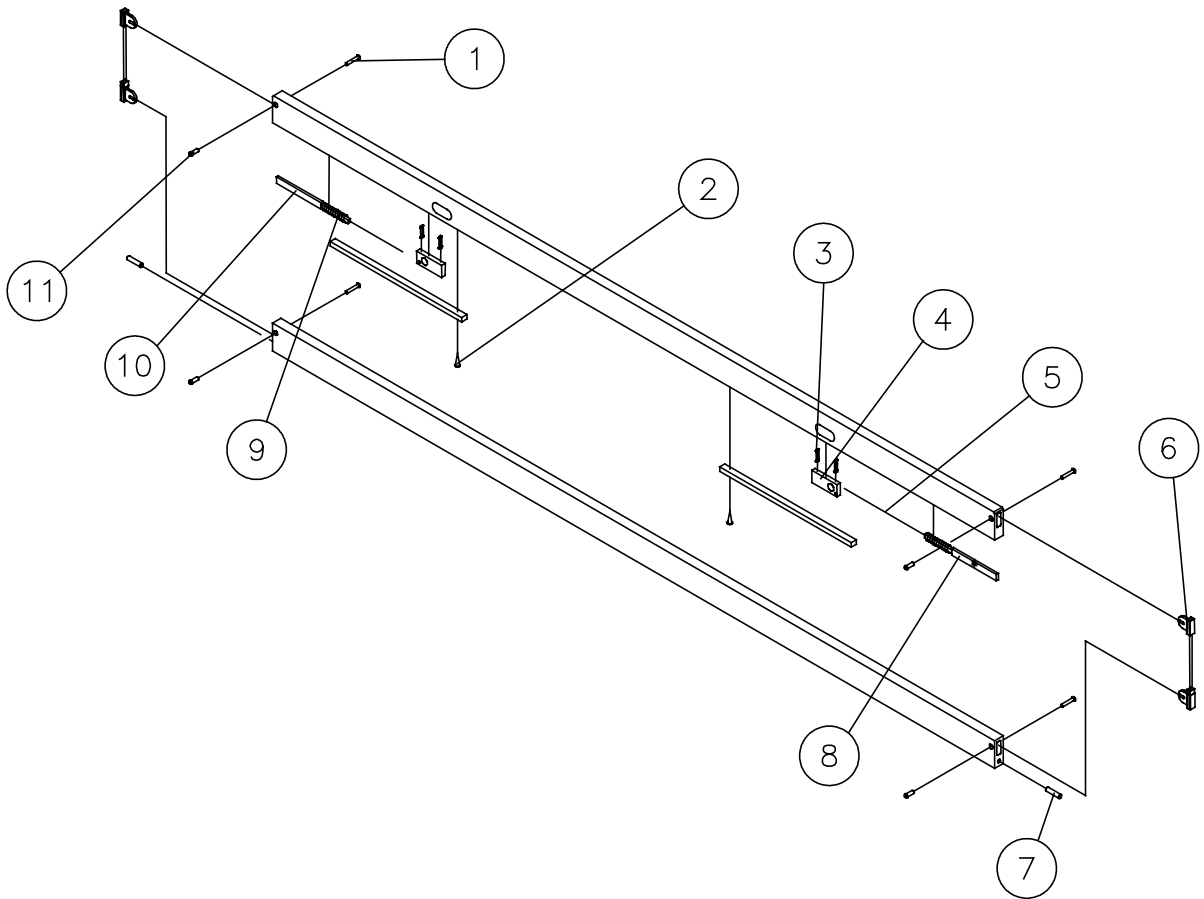
Pos.	Ident. No.	Pcs.	Description
9	413760	4	Spring

Wooden Side rail - BRITT III, BRITT II

Ident. No.: Wooden Side rail BRITT III for 200 cm mattress support : 020434.XX

Ident. No.: Wooden Side rail: BRITT II extended: 019376.XX

September 2003



Side rail steel – model 5519 / 5529 – 2 stk.

Page 1 of 2

Ident. No.: Model 5519 – for 200 cm mattress support: 50.55190.XX/L+R

Ident. No.: Model 5529 – for 220 cm mattress support: 50.55290.XX/L+R

September 2003

Lock package

Ident. No.: 020026

<i>Pos.</i>	<i>Pcs.</i>	<i>Description</i>
2	2	Release button
3	2	Lock pin
4	2	Spring

Single numbers

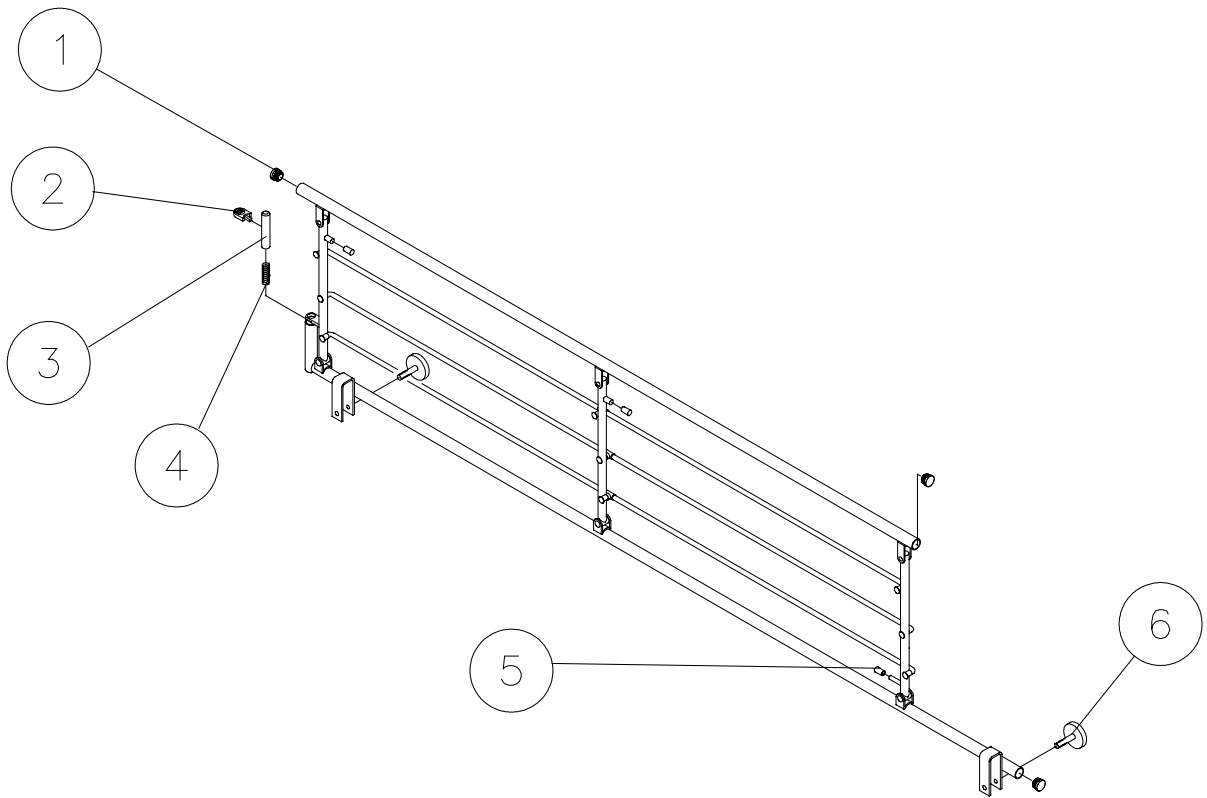
<i>Pos.</i>	<i>Ident. No. 5519</i>	<i>Ident. No. 5529</i>	<i>Pcs.</i>	<i>Description</i>
1	804399	804399	6	Ferrule
5	804386	804386	6	Ferrule
6	821268	821268	4	Thumb screw
	1415774	1415774	2	Sign for placement of Side rail

Side rail steel – model 5519 / 5529 – 2 stk.

Ident. No.: Model 5519 – for 200 cm mattress support: 50.55190.XX/L+R

Ident. No.: Model 5529 – for 220 cm mattress support: 50.55290.XX/L+R

September 2003



Side rail steel without vertical stansions – model 5525

Page 1 of 2

Ident. No.: Model 5525: 50.55250.XX/L+R

September 2003

Locking package

Ident. No.: 1423773

<i>Pos.</i>	<i>Pcs.</i>	<i>Description</i>
1	2	Locking button
2	2	Twist clamp pin $\varnothing 3 \times 20$
3	2	Button for ratchet lock
4	2	Ratchet lock
5	2	Spring

Thumb screw package

Ident. No.: 1423774

<i>Pos.</i>	<i>Pcs.</i>	<i>Description</i>
6	4	Cylinder nut
10	4	Thumb screw M6x45

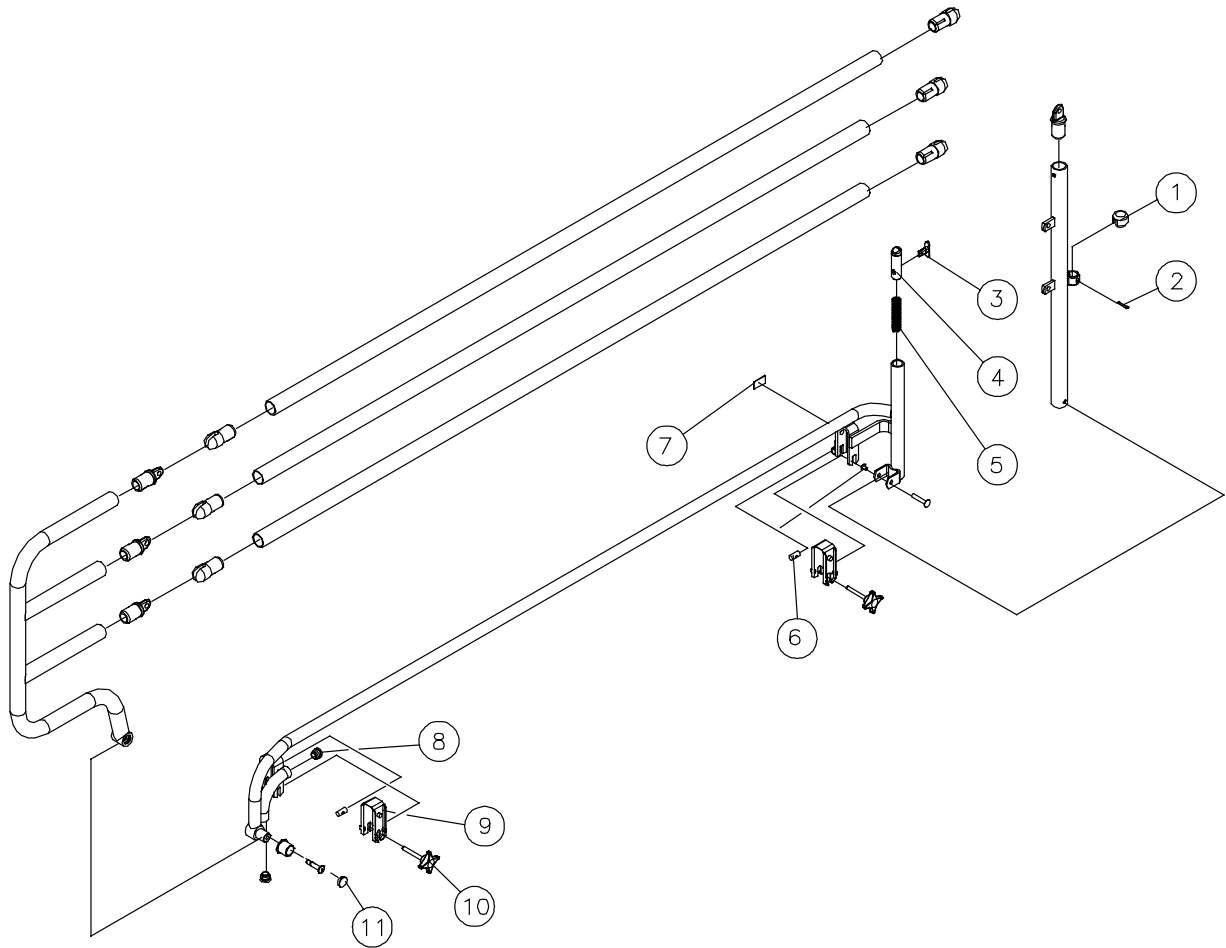
Plastic package

Ident. No.: 1423775

<i>Pos.</i>	<i>Pcs.</i>	<i>Description</i>
8	2	Ferrule
9	4	Plastic insert
11	2	Ferrule

Single numbers

<i>Pos.</i>	<i>Ident. No.</i>	<i>Pcs.</i>	<i>Description</i>
7	1415773	1	Sign for placement of side rail



Side rail with plastic insert – model 5526

Ident. No.: Model 5526: 50.55260.XX/L+R

September 2003

Release package

Ident. No.: 020026

<i>Pos.</i>	<i>Pcs.</i>	<i>Description</i>
2	2	Release button
3	2	Lock pin
4	2	Spring

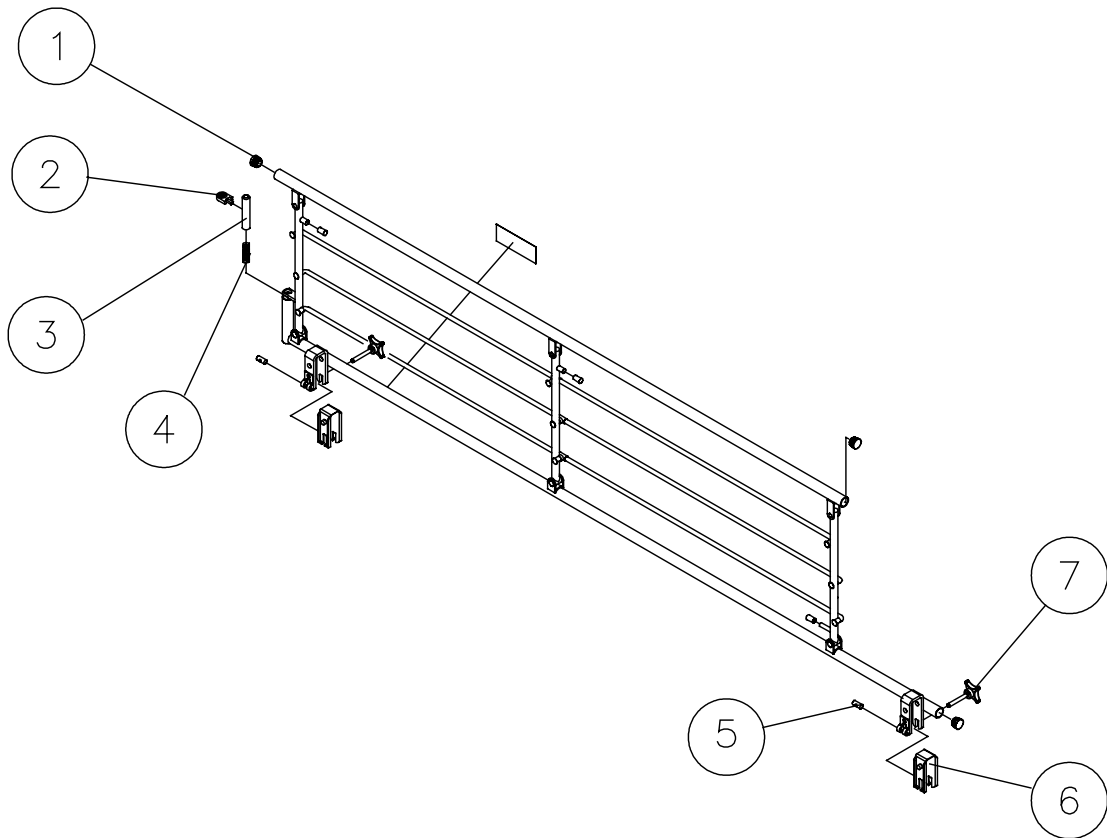
Thumb screw package

Ident. No.: 1432689

<i>Pos.</i>	<i>Pcs.</i>	<i>Description</i>
1	6	Ferrule
5	4	Cylinder nut
6	4	Plastic insert
7	4	Thumb screw

Single numbers

<i>Pos.</i>	<i>Ident. No.</i>	<i>Pcs.</i>	<i>Description</i>
	1415774	1	Sign for placement of side rail



Support handles

Ident. No.: Support, high 25x30cm 021964.XX

Ident. No.: Support, high 25x80cm 1417510-XXXX

Ident. No.: Support, high 40x30cm 1417511-XXXX

Ident. No.: Support, high 40x50cm 021963.XX

Ident. No.: Support, high 40x95cm 1417512-XXXX

September 2003

Ident. No.	Pos.	Pcs.	Description
021964.XX	1	1	Support, high
	2	1	Thumb screw
	3	1	Insert, plastic
	4	1	Cylinder nut
1417510-XXXX	1	1	Support, high
	2	1	Thumb screw
	3	1	Insert, plastic
	4	1	Cylinder nut
1417511-XXXX	1	1	Support, high
	2	1	Thumb screw
	3	1	Insert, plastic
	4	1	Cylinder nut
021963.XX	1	1	Support, high
	2	1	Thumb screw
	3	1	Insert, plastic
	4	1	Cylinder nut
1417512-XXXX	1	1	Support, high
	2	1	Thumb screw
	3	1	Insert, plastic
	4	1	Cylinder nut

Support handles

Ident. No.: Support, high 25x30cm 021964.XX

Ident. No.: Support, high 25x80cm I417510-XXXX

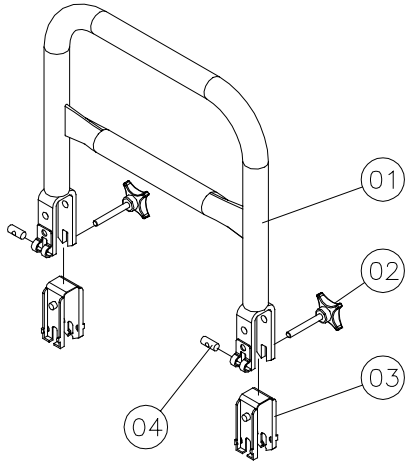
Ident. No.: Support, high 40x30cm I417511-XXXX

Ident. No.: Support, high 40x50cm 021963.XX

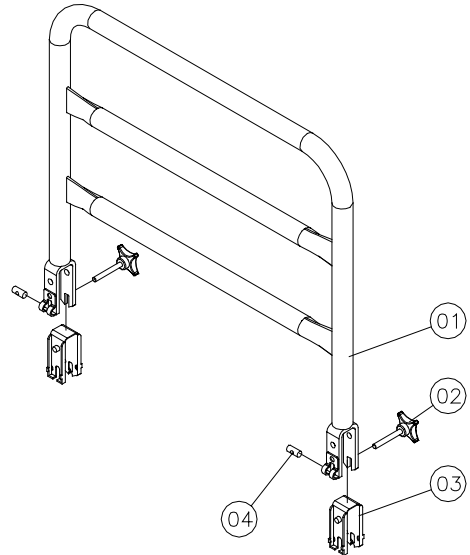
Ident. No.: Support, high 40x95cm I417512-XXXX

September 2003

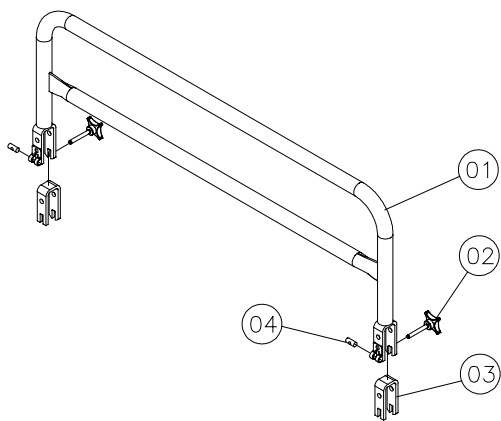
25x30cm



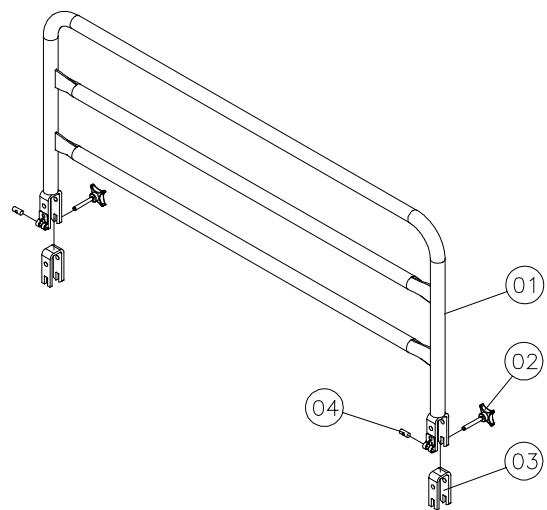
40x30cm
40x50cm



25x80cm



40x95cm



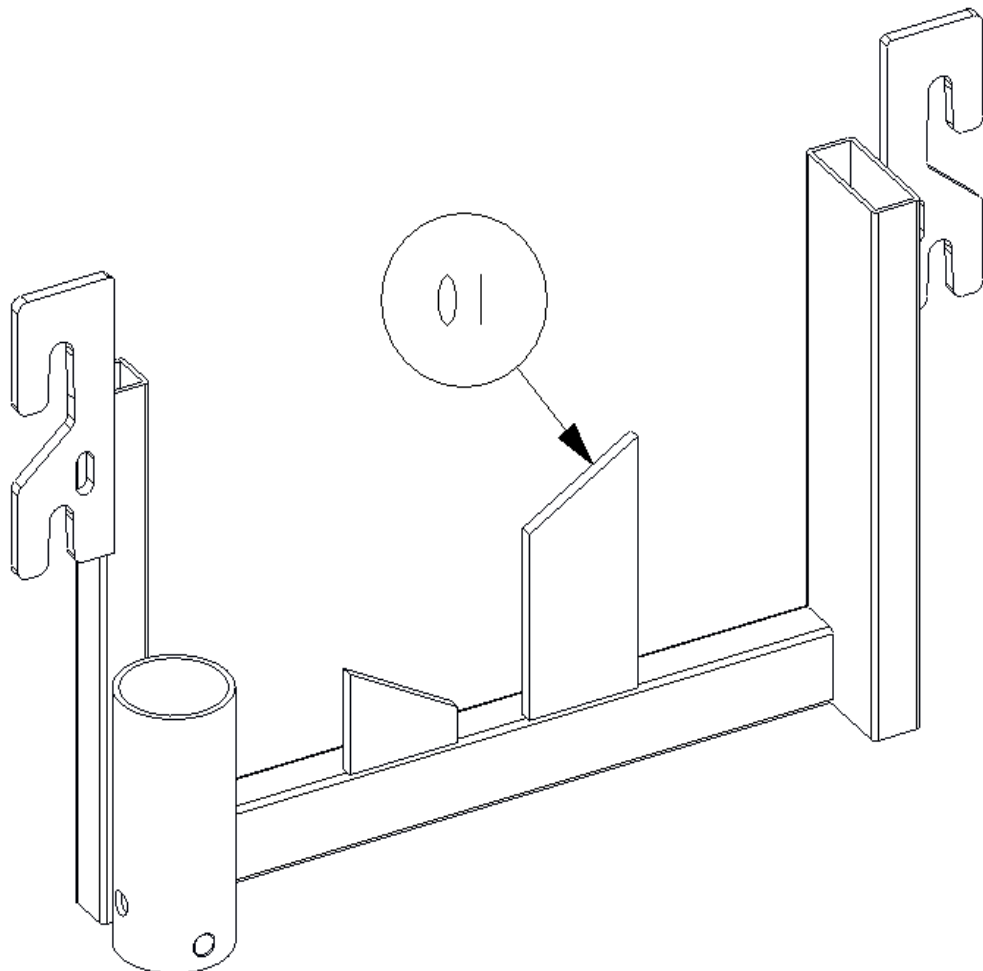
Transport fitting
Ident. No.: 1423920-XXXX

Page 1 of 2

September 2003

Transport fitting

<i>Pos.</i>	<i>Ident. No.</i>	<i>Pcs.</i>	<i>Description</i>
1	1423920-XXXX	2	Transport fitting



Lifting pole – model 5760

Ident. No.: Lifting pole – model 5760: 50.57600.XX

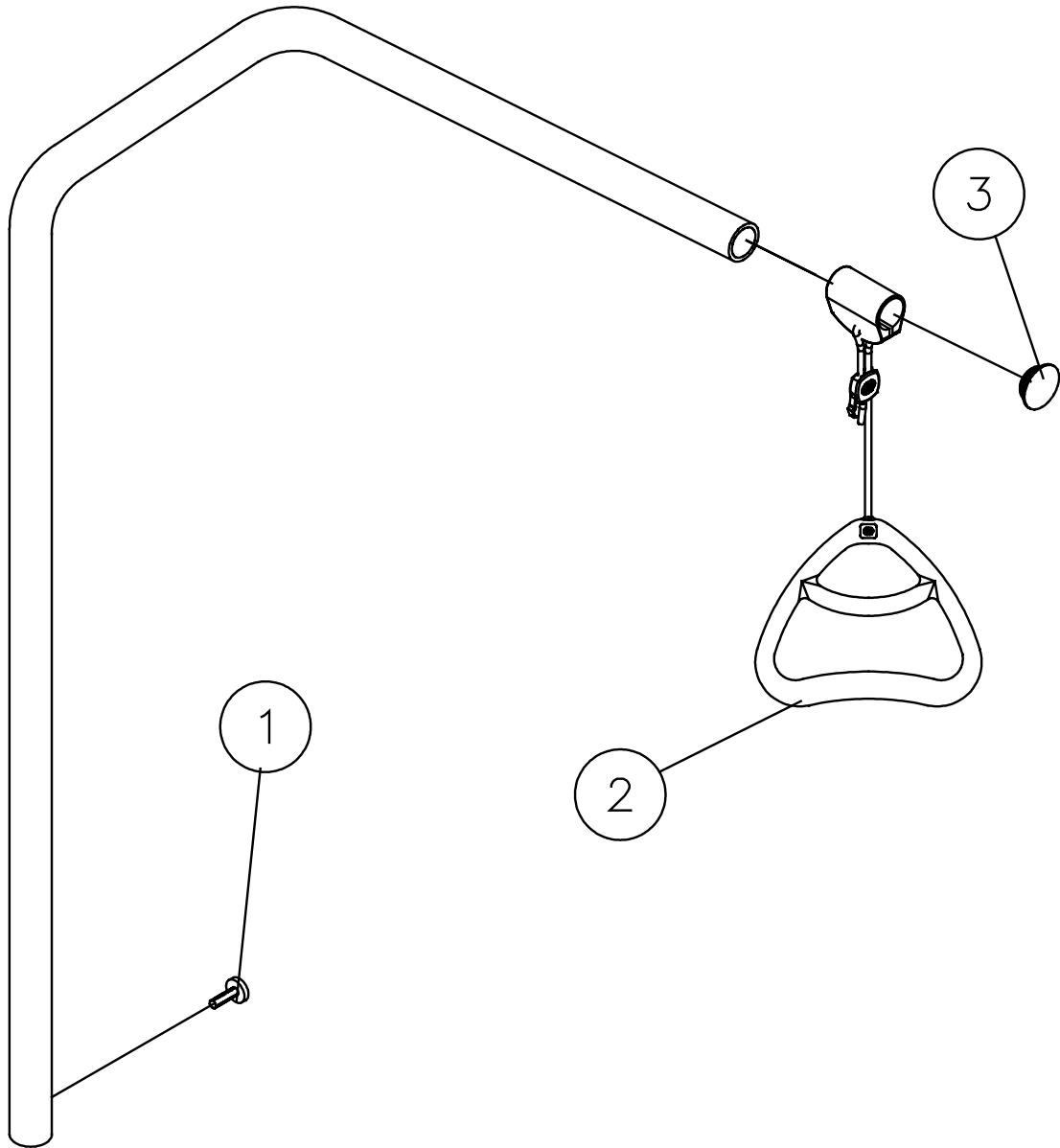
Page 1 of 2

September 2003

Lifting pole package

Ident. No.: 020028

Pos.	Pcs.	Description
1	1	Thumb screw M6x16
2	1	Handle for lifting pole incl. Suspension and lock
3	1	Ferrule for lifting pole



EXCHANGE MATRIX FOR CB06/LA27-SYSTEM S385 and ETUDE

Please find on the following page a complete exchange matrix, explaining in detail how to order replacement of electronic parts at the S385 – LA27 (introduced November 2000) and Etude.

When replacing electronic parts on the S385 and Etude please follow these instructions thoroughly as it is important that all parts described in the matrix are included. The reasoning behind the complex replacement matrix is a quality improvement of connections between control box, cables and motors, meaning that moving a control box **also** (only S385) implies hand control and cables to ensure the correct fit.

The production date for a given item is the important factor when ordering electronic spare parts.

These changes also implicates that the thigh motor cable will be changed from curled to straight.

Steps to follow (S385):

1. Identify Ident. No. (Part. No.) and the production date on the item that needs to be replaced.
2. State if production date is:

- | | |
|--------------------------------------|----------------------------|
| a) Before 05-03-2001 | choose items in column I |
| b) Between 05-03-2001 and 15-06-2001 | choose items in column II |
| c) After 15-06-2001 | choose items in column III |

Steps to follow (Etude):

1. Identify Ident. No. (Part. No.) and the production date on the item that needs to be replaced.
2. Choose a Spare part package in column IV.

Example 1:

A control box (321542) needs to be shifted and production date has been identified to be 20-02-2001. Then according to the matrix, order all articles from column I. (from the row where 321542 is represented):

- 1 pcs. 1417671 (control box)
- + 1 pcs. 1417676 (hand control)
- + 1 pcs. 1417679 (cable backrest)
- + 2 pcs. 1417843 (cables bed ends)

Example 2:

A bed end motor (321538) needs to be moved. Production date 25-03-2001. Order from Column II:

- 1 pcs. 1417672 (bed end motor)
- + 1 pcs. 1417843 (cable)

For your information the cables are only marked with Linak numbers – gives a reference to EC-Høng art. no.:

• Old LINAK numbers:	Replaced by LINAK numbers	EC-Høng numbers
1. 0277003-200, 200mm straight	0277003-D200, 200mm straight	1417679
2. 0277003-1700, 1700mm straight	0277003-D1700, 1700mm straight	1417843
3. 0277003-1250, 1250mm straight	0277003-D1250, 1250mm straight	1417468

Exchange matrix – S385

Unit to be replaced	S385 produced before 05.03.01					S385 produced 05.03.01 – 15.06.01					S385 produced after 15.06.01				
	Top numbers	Control Unit	Motors	Handcontrols	Cables	Top numbers	Control Unit	Motors	Handcontrols	Cables	Top numbers	Control Unit	Motors	Handcontrols	Cables
Control box 4 sect (CB06)	321565	1417871	1417670	1) 1417677 2) 1417675	1417679 2 x 1423776 1417468	1417872	1417670			1417679 2 x1423776 1417468	1417670	1417670			
Control box 2 sect (CB06)	321542	1417873	1417671	1417676	1417679 2 x 1423776	1417874	1417671			1417679 2 x1423776	1417671	1417671			
Lift motor Bedend (LA27)	321538	1417875	1417672		1423776	1417875		1417672		1423776	1417672		1417672		
Backrest motor (LA27)	321548	1417876	1417673		1417679	1417876		1417673		1417679	1417673		1417673		
Thigh motor (LA27)	321549	1417877	1417674		1417468	1417877		1417674		1417468	1417674		1417674		
Handcontrol (HB74)	1) 321550			1417675					1417675					1417675	
Handcontrol (HB73)	1) 321551			1417676					1417676					1417676	
Handcontrol (HB73)	2) 1415771			1417677					1417677					1417677	
Handcontrol (HB72)	2) 1415675			1417678					1417678					1417678	
Cable for Backrest motor	821279 LINAK no. 0277003-270				1417679 LINAK no. 0277003-D270					1417679 LINAK no. 0277003-D270					1417679 LINAK no. 0277003-D270
Cable for Lift motor bedend	821280 LINAK no. 0277003-1700				1423776 LINAK no. 0277006D-150-1250					1417680 LINAK no. 0277003-D1700					1417680 LINAK no. 0277003-D1700
Cable for Thigh motor	821282 LINAK no. 0277004-200				1417468 LINAK no. 0277003-D1250					1417468 LINAK no. 0277003-D1250					1417468 LINAK no. 0277003-D1250

- 1) Handcontrol without tilt
2) Handcontrol with tilt

Red numbers are toplevel numbers,
which include cables and/or
handcontrol where needed.

Exchange matrix – Etude

Unit to be replaced		<i>Etude produced after 01.11.02</i>				
		<i>IV</i>		Control Unit incl. Cable	Motor Package	Handcontrol
Control box 4 sect (CB06)	1423809	EU	1432669			
	1423809	UK	1432670			
	1423809	AUS	1432671			
	1424015	CDN	1432772			
	1423849	JPN	1432773			
Control box 2 sect (CB06)	1423810	EU	1432659			
	1423810	UK	1432660			
	1423810	AUS/NZ	1432661			
	1423998	CDN	1432662			
	1423848	JPN	1432663			
Lift motor Bedend (LA27)	1423806			1432680		
Backrest motor (LA27)	1423807			1427761		
Thigh motor (LA27)	1423808			1432674		
Handcontrol (HB74)	1423846				2) 1423846	
Handcontrol (HB73)	1423815				1) 1423815	
Handcontrol (HB73)	1423845				2) 1423845	
Handcontrol (HB72)	1423814				1) 1423814	
Cable for Backrest motor <small>LINAK no. 0277011-270</small>	1423812					EU 1432664
						UK 1432665
						AUS/NZ 1432666
Cable for Lift motor bedend <small>LINAK no. 0277013-150-1250</small>	1423811					CDN 1432667
						JPN 1432668
Cable for Thigh motor <small>LINAK no. 0277011-1250</small>	1423813					

1) Handcontrol without tilt

2) Handcontrol with tilt



Customer Sales and Service

INVACARE A/S

Sdr. Ringvej 39
DK-2605 Brøndby
Phone: +45 36 90 00 00
Fax: +45 36 90 00 01

INVACARE N.V.

Autobaan 14
B-8210 Loppem, Brügge
Phone: +32 50 83 10 10
Fax: +32 50 83 10 11

INVACARE Poirier S.A.

Les Roches
F-37230 Fondettes
Phone: +33 2 47 62 64 66
Fax: +33 2 47 42 12 24

INVACARE AB

Fagerstagatan 9 / Box 66
S-163 91 Spånga
Phone: +46 8 761 70 90
Fax: +46 8 761 81 08

INVACARE B.V.

Celsiusstraat 46
NL-6716 BZ Ede
Phone: +31 318 69 5 757
Fax: +31 318 69 5 758

INVACARE S.R.L.

Via dei Pini 62
I-36016 Thiene (VI)
Phone: +39 0445 380059
Fax: +39 0445 380034

INVACARE AS

Grensesvingen 9
P.O. Box 6230 / Etterstad
N-0603 Oslo
Phone: +47 22 57 95 00
Fax: +47 22 57 95 01

INVACARE Deutschland GmbH

Dehmer Strasse 66
D-32549 Bad Oeynhausen
Phone: +49 57 31 754 0
Fax: +49 57 31 754 150

INVACARE LTD

South Road
Bridgend Industrial Estate
UK-Bridgend, CF31 3PY
Phone: +44 1 656 664 321
Fax: +44 1 656 667 532

Manufacturer:

Invacare® EC-Høng A/S
Ident. no. 1423944
Version no. 03 09.2003

INVACARE
EC-Høng A/S
Østergade 3
DK-4270 Høng
www.invacare.com